



US00D868515S

(12) **United States Design Patent** (10) **Patent No.:** **US D868,515 S**
Velez et al. (45) **Date of Patent:** **** Dec. 3, 2019**

(54) **TABLE WITH LUMINAIRE**

(71) Applicant: **LANDSCAPE FORMS, INC.**,
Kalamazoo, MI (US)

(72) Inventors: **Efrain E. Velez**, Austin, TX (US);
Brian P. Revoir, Vicksburg, MI (US);
Kirt D. Martin, Ada, MI (US);
Gregory A. Benson, Duluth, MN (US);
Nathan Heydt, Duluth, MN (US)

(73) Assignee: **LANDSCAPE FORMS, INC.**,
Kalamazoo, MI (US)

(**) Term: **15 Years**

(21) Appl. No.: **29/668,130**

(22) Filed: **Oct. 27, 2018**

Related U.S. Application Data

(63) Continuation-in-part of application No. 29/640,984,
filed on Mar. 19, 2018.

(51) **LOC (12) Cl.** **06-03**

(52) **U.S. Cl.**
USPC **D6/686; D6/691.1**

(58) **Field of Classification Search**
USPC ... D6/349, 641, 642, 644, 655, 655.17, 656,
D6/656.13, 685, 686, 691, 691.1-691.9;
D26/58, 60

(Continued)

(56) **References Cited**

U.S. PATENT DOCUMENTS

D182,911 S * 5/1958 Lubberts D6/691.1
5,323,695 A * 6/1994 Borgman A47B 9/00
108/147

(Continued)

OTHER PUBLICATIONS

A Frame Poseur Wooden Table—Pro-Global Furniture <https://www.proglobal-furniture.com/a-frame-poseur-tables.html> retrieved from the internet on Sep. 10, 2019.*

(Continued)

Primary Examiner — Mary Ann Calabrese

(74) *Attorney, Agent, or Firm* — Heslin Rothenberg
Farley & Mesiti P.C.

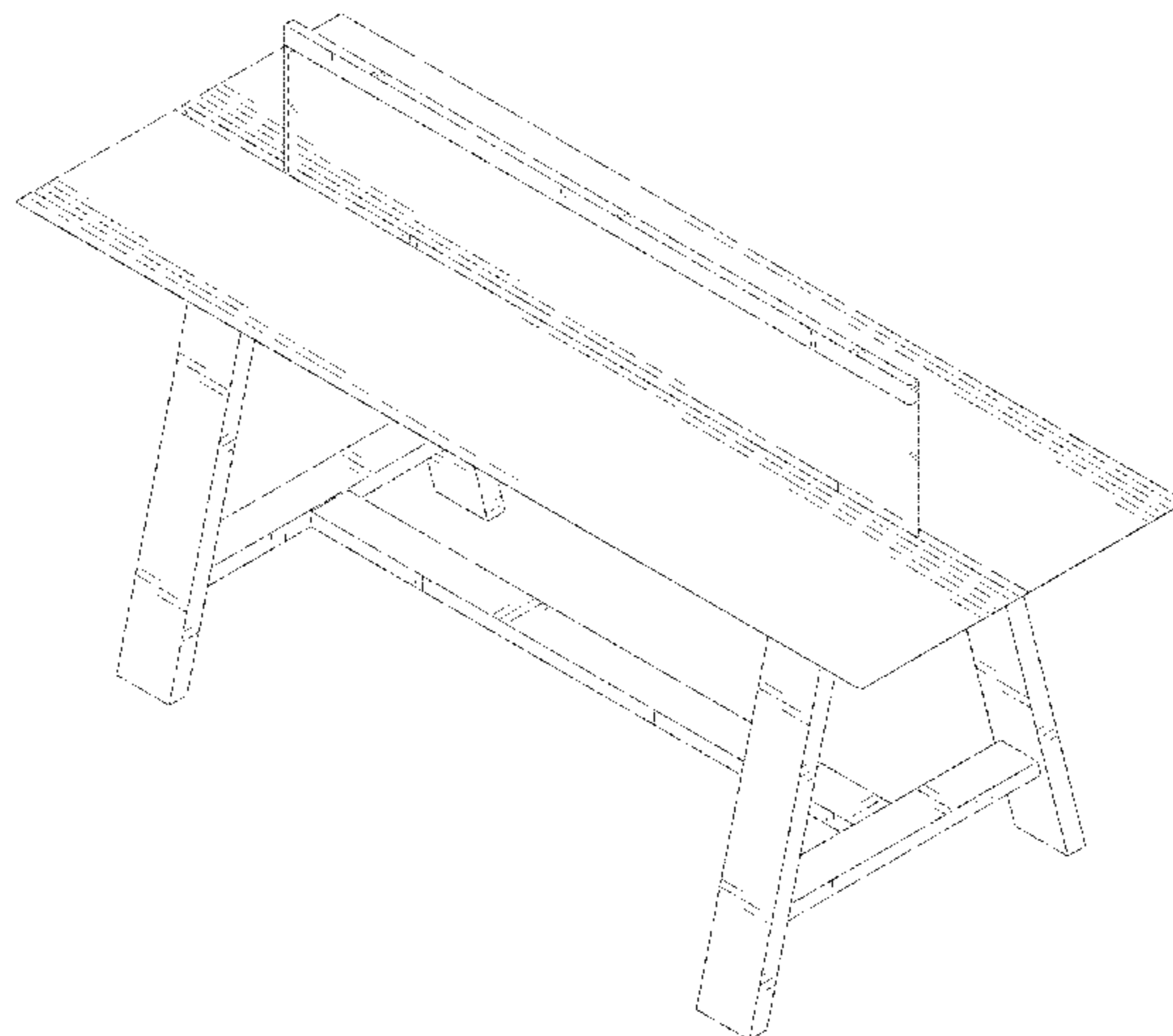
(57) **CLAIM**

The ornamental design for a table with luminaire, as shown and described.

DESCRIPTION

FIG. 1 is a perspective view of a first embodiment of the table with luminaire of the present design;
FIG. 2 is a front elevation view thereof; the rear elevation view being identical thereto;
FIG. 3 is a right side elevation view thereof; the left side elevation view being identical thereto;
FIG. 4 is a top plan view thereof;
FIG. 5 is bottom plan view thereof;
FIG. 6 is a perspective view of a second embodiment of the table with luminaire of the present design;
FIG. 7 is a front elevation view thereof; the rear elevation view being identical thereto;
FIG. 8 is a right side elevation view thereof; the left side elevation view being identical thereto;
FIG. 9 is a top plan view thereof;
FIG. 10 is a bottom plan view thereof;
FIG. 11 is a perspective view of a third embodiment of the table with luminaire of the present design;
FIG. 12 is a front elevation view thereof, the rear elevation view being identical thereto;
FIG. 13 is a right side elevation view thereof; the left side elevation view being identical thereto;
FIG. 14 is a top plan view thereof;
FIG. 15 is a bottom plan view thereof;
FIG. 16 is a perspective view of a fourth embodiment of the table with luminaire of the present design;
FIG. 17 is a front elevation view thereof, the rear elevation view being identical thereto;
FIG. 18 is a right side elevation view thereof; the left side elevation view being identical thereto;
FIG. 19 is a top plan view thereof; and,
FIG. 20 is a bottom plan view thereof.

(Continued)



The broken lines in the drawings illustrate portions of the table with luminaire that form no part of the claimed design.

1 Claim, 20 Drawing Sheets

(58) Field of Classification Search

CPC A47B 7/00; A47B 13/00; A47B 13/02;
 A47B 13/04; A47B 13/06; A47B 13/08;
 A47B 13/12; A47B 17/00; A47B 21/00;
 A47B 2200/0001; A47B 2200/0011;
 A47B 2200/002

See application file for complete search history.

(56) References Cited

U.S. PATENT DOCUMENTS

D379,887 S *	6/1997	Muller-Deisig	D6/644
D406,708 S *	3/1999	Hilton	D6/349
6,725,784 B2 *	4/2004	Crinion	A47B 17/00
			108/50.01
D558,490 S *	1/2008	Christensen	D6/691.5
D596,877 S *	7/2009	Oshinomi	D6/691.5
7,735,433 B1 *	6/2010	Albright	H02G 3/386
			108/153.1

D662,336 S *	6/2012	Martin	D6/656
D784,740 S *	4/2017	Chipperfield	D6/337
D800,461 S *	10/2017	Chipperfield	A47B 9/00
			D6/349
D855,358 S *	8/2019	Adler	D6/644
10,390,611 B2 *	8/2019	Lee	H02G 3/386

OTHER PUBLICATIONS

A-Frame Dining/Conference Table—Etsy <https://www.etsy.com/dk-en/listing/503820626/a-frame-dining-conference-table-any> retrieved from the internet on Sep. 10, 2019.*

Library Reading Table with Light by Pierre Jeanneret, 1966—Pamono.com <https://www.pamono.com/library-reading-table-with-light-by-pierre-jeanneret-1966> retrieved from the internet on Sep. 10, 2019.*

University Of Maryland Reading Table with Light—David Edward.com <http://www.davidedward.com/gallery/pullups-products/install-university-of-maryland-reading-table-with-> retrieved from the internet on Sep. 10, 2019.*

Velez et al., Design U.S. Appl. No. 29/640,984 entitled “Table” filed Mar. 19, 2018.

Velez et al., Design U.S. Appl. No. 29/668,129 entitled “Luminarire” filed Oct. 27, 2018.

* cited by examiner

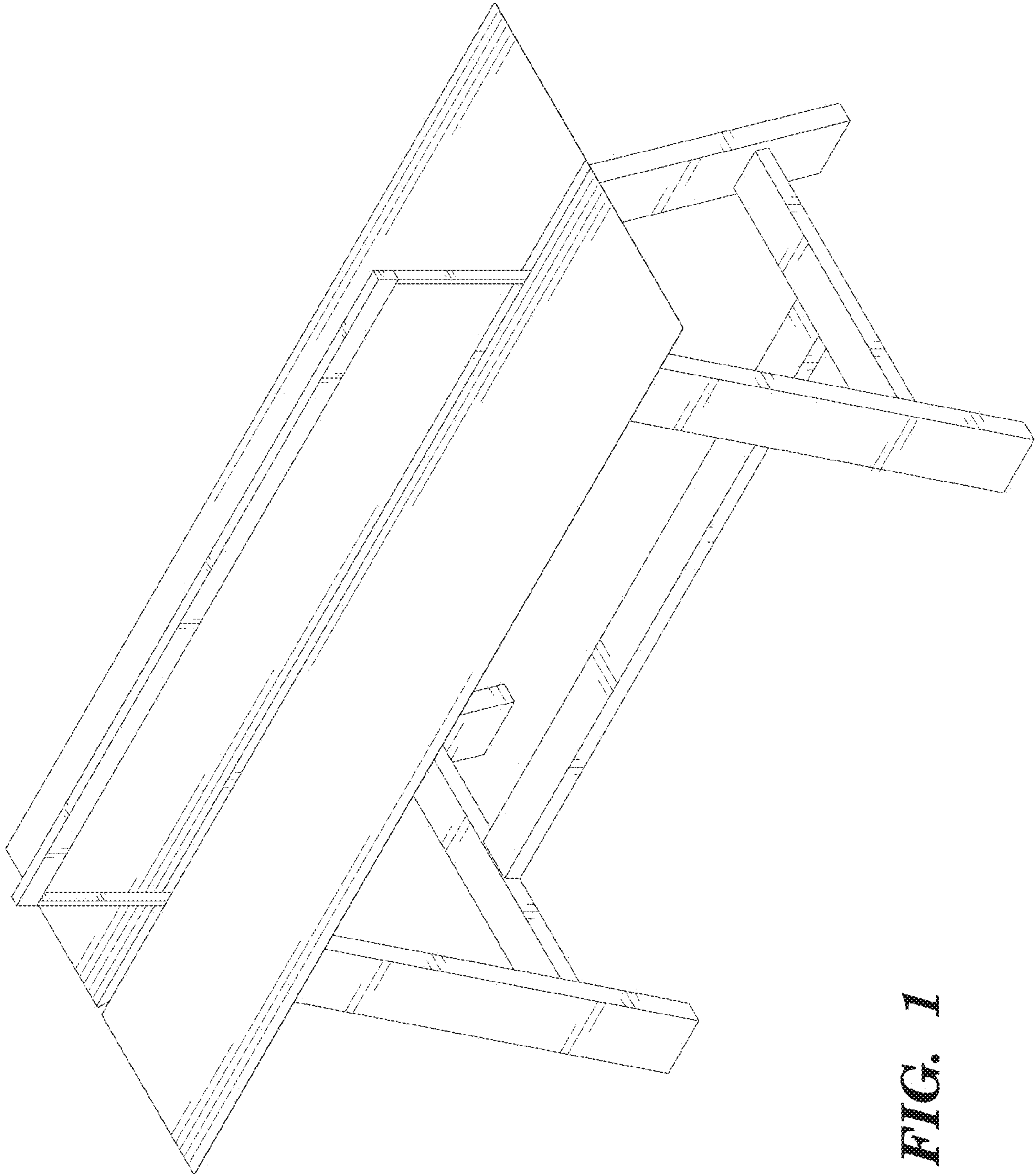


FIG. 1

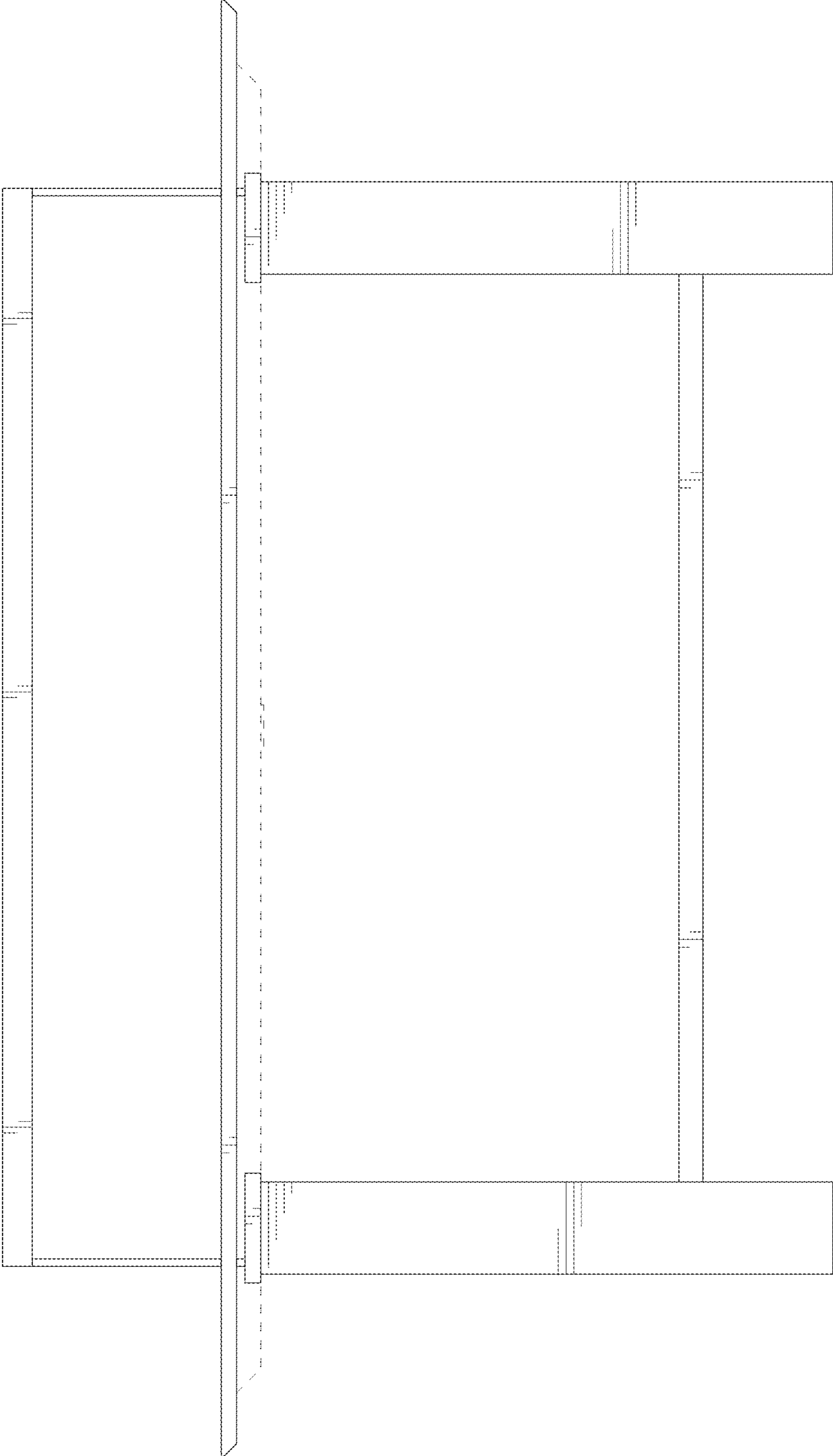


FIG. 2

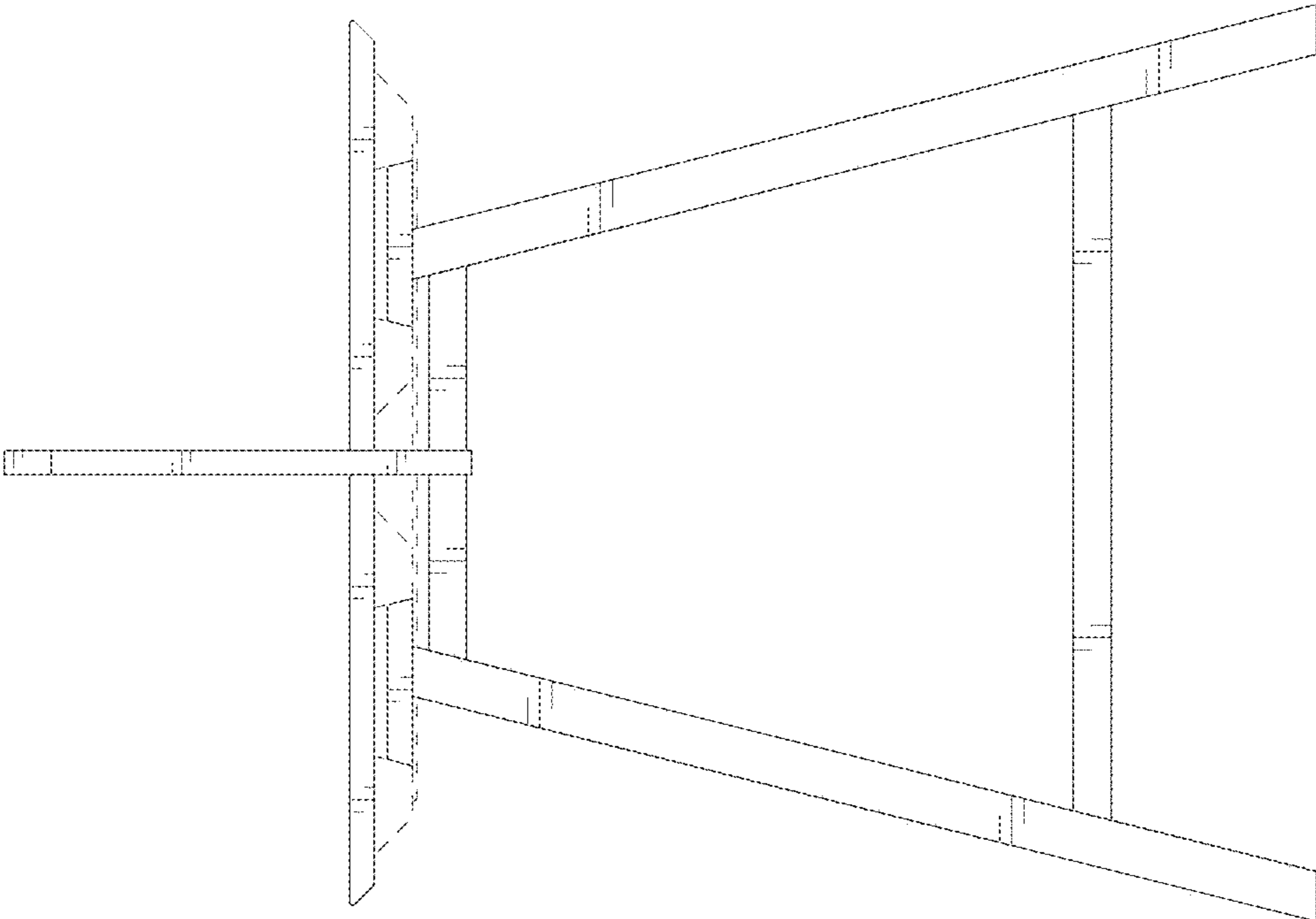


FIG. 3

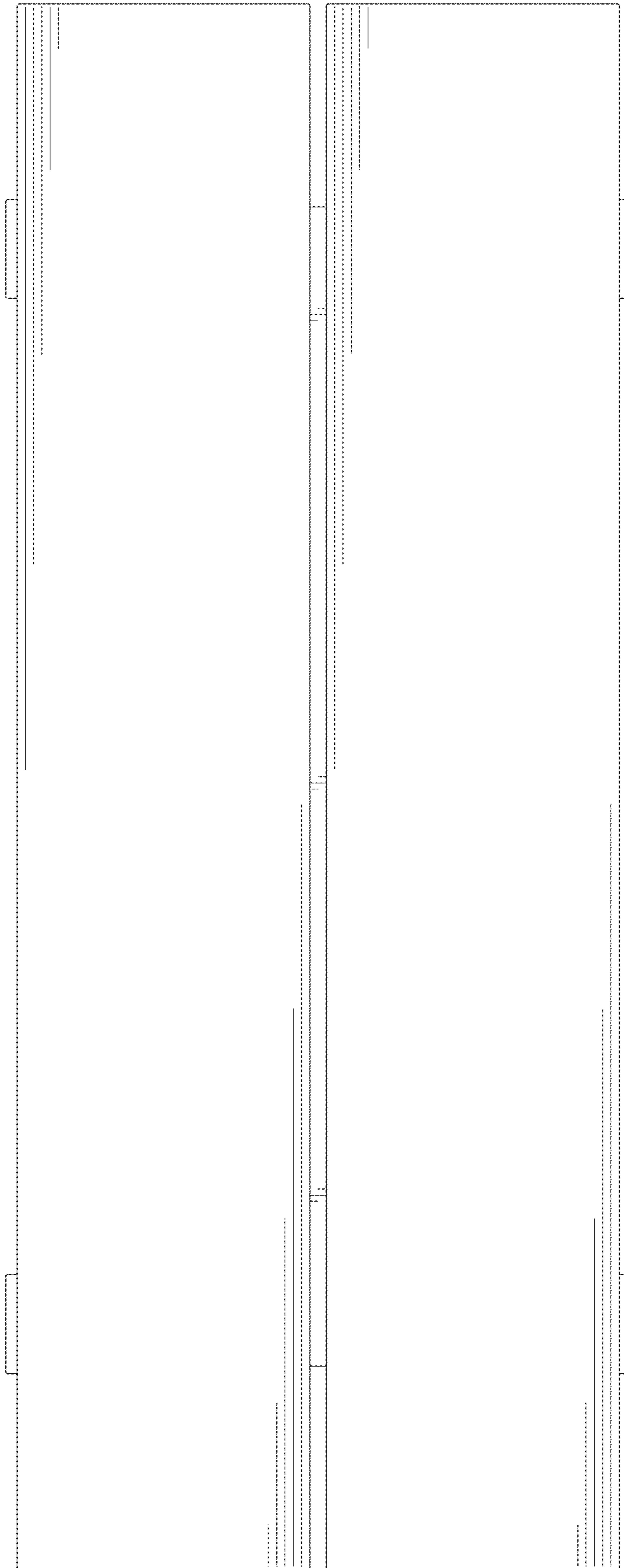


FIG. 4

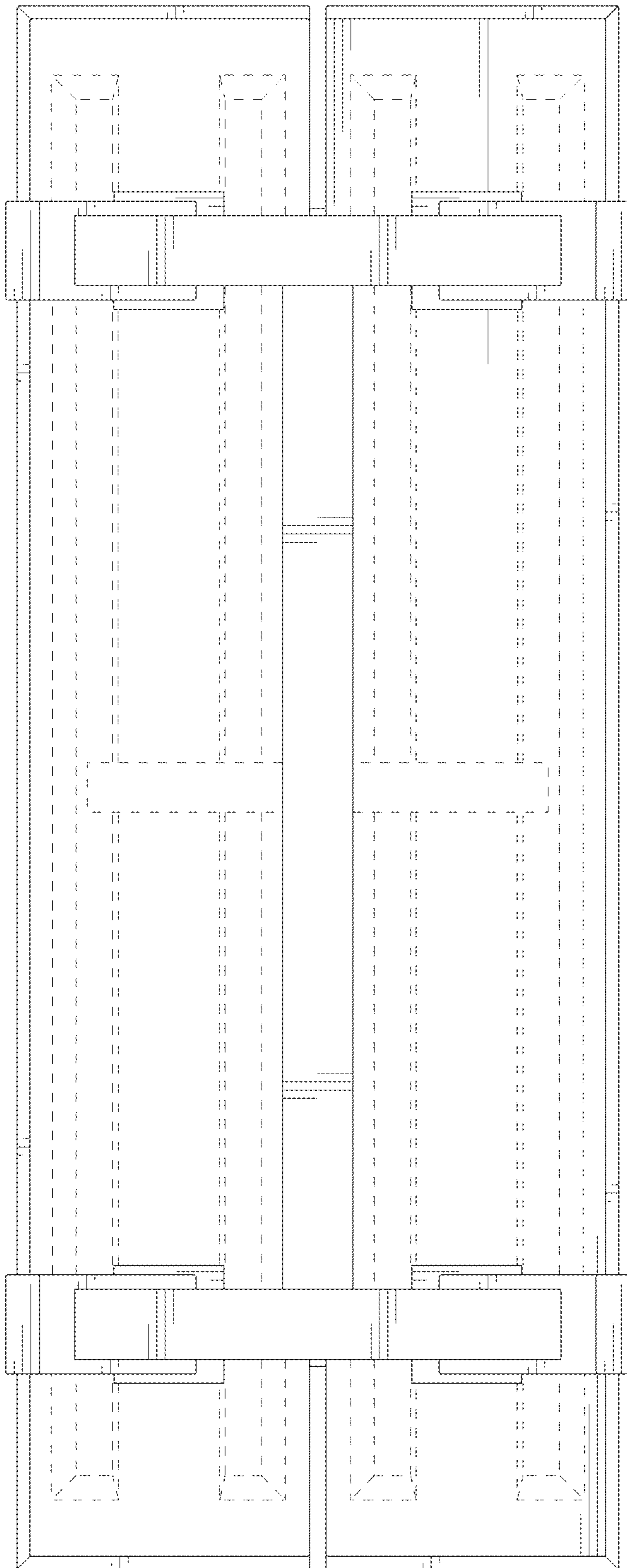


FIG. 5

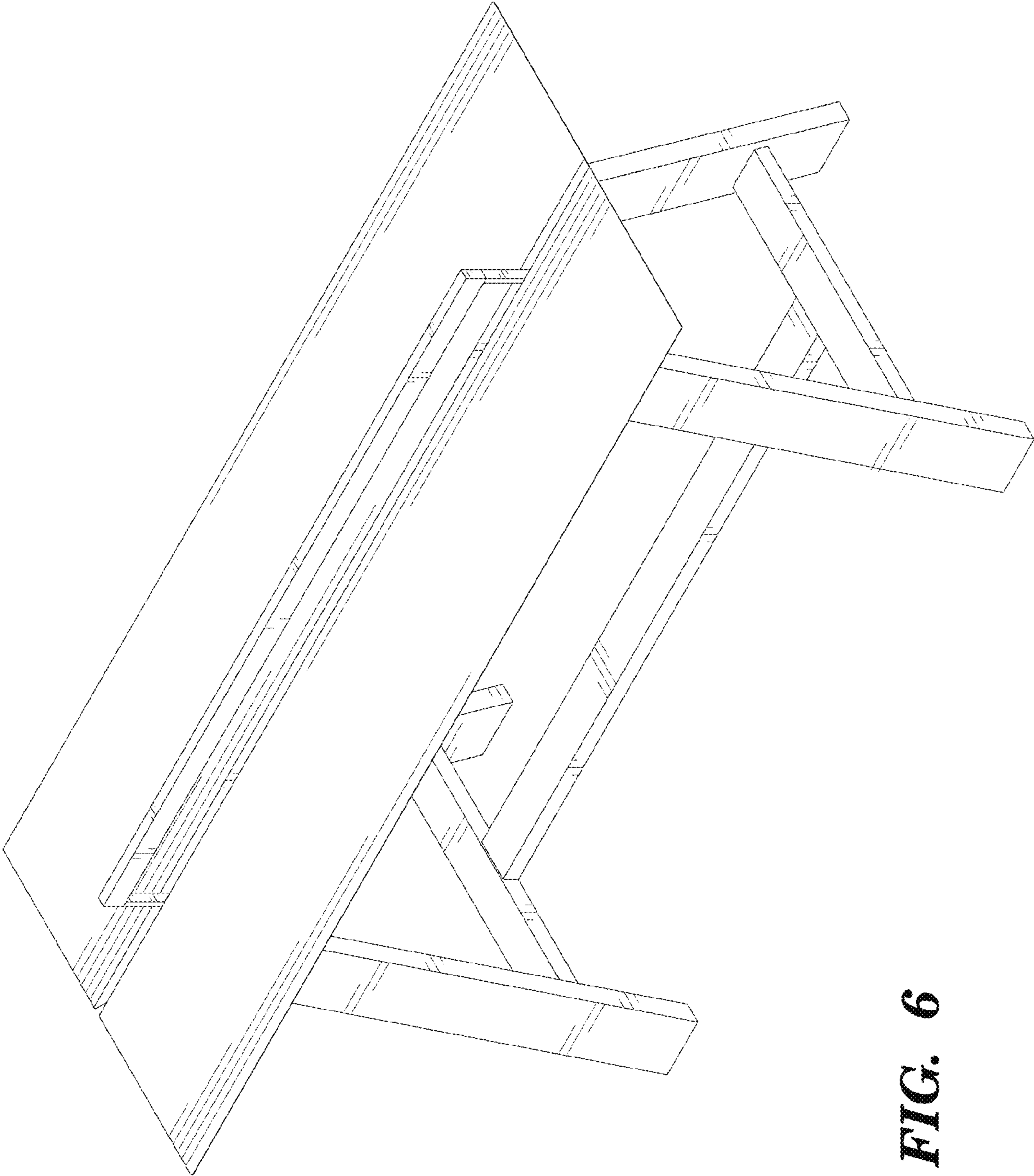


FIG. 6

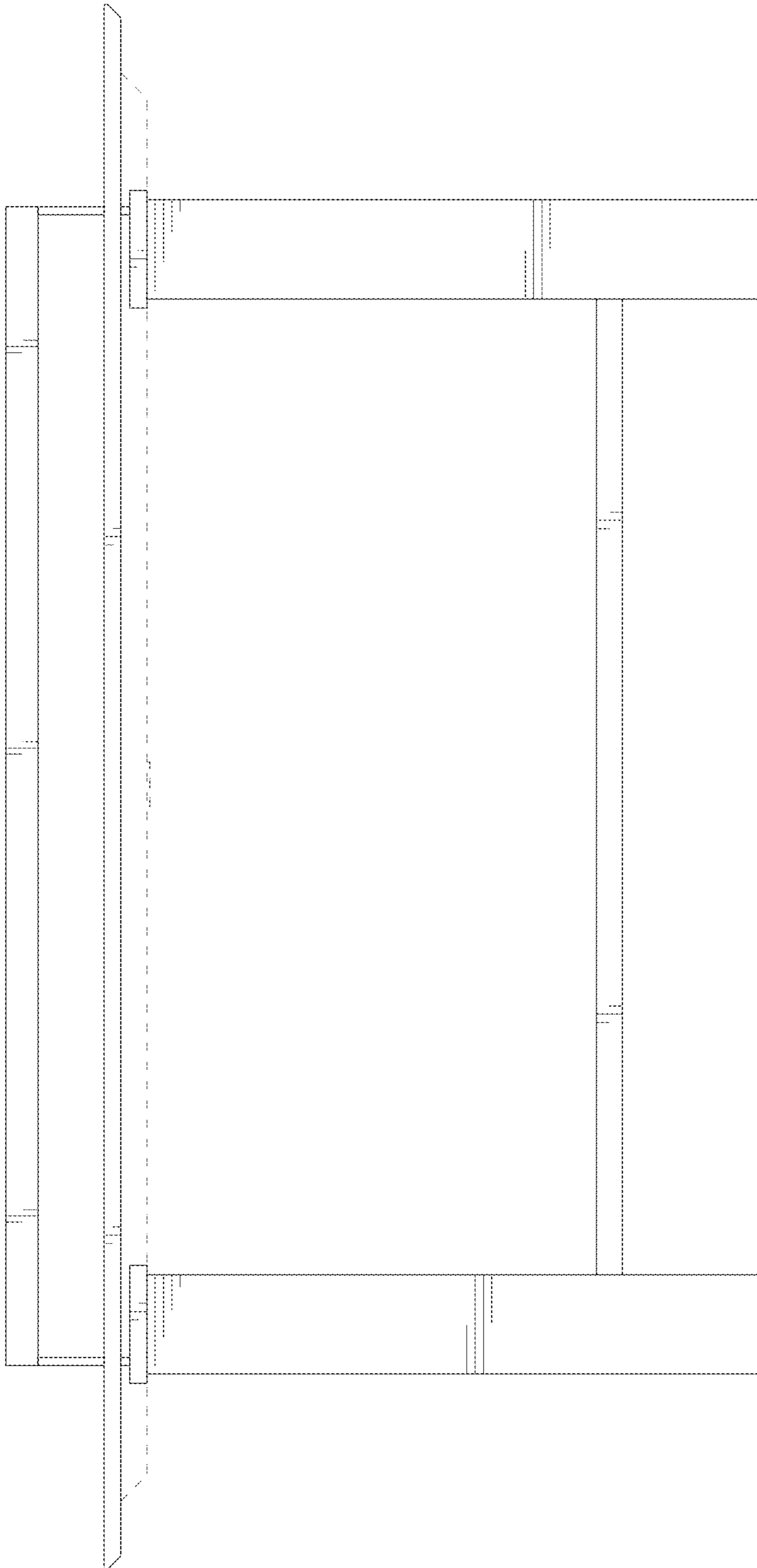


FIG. 7

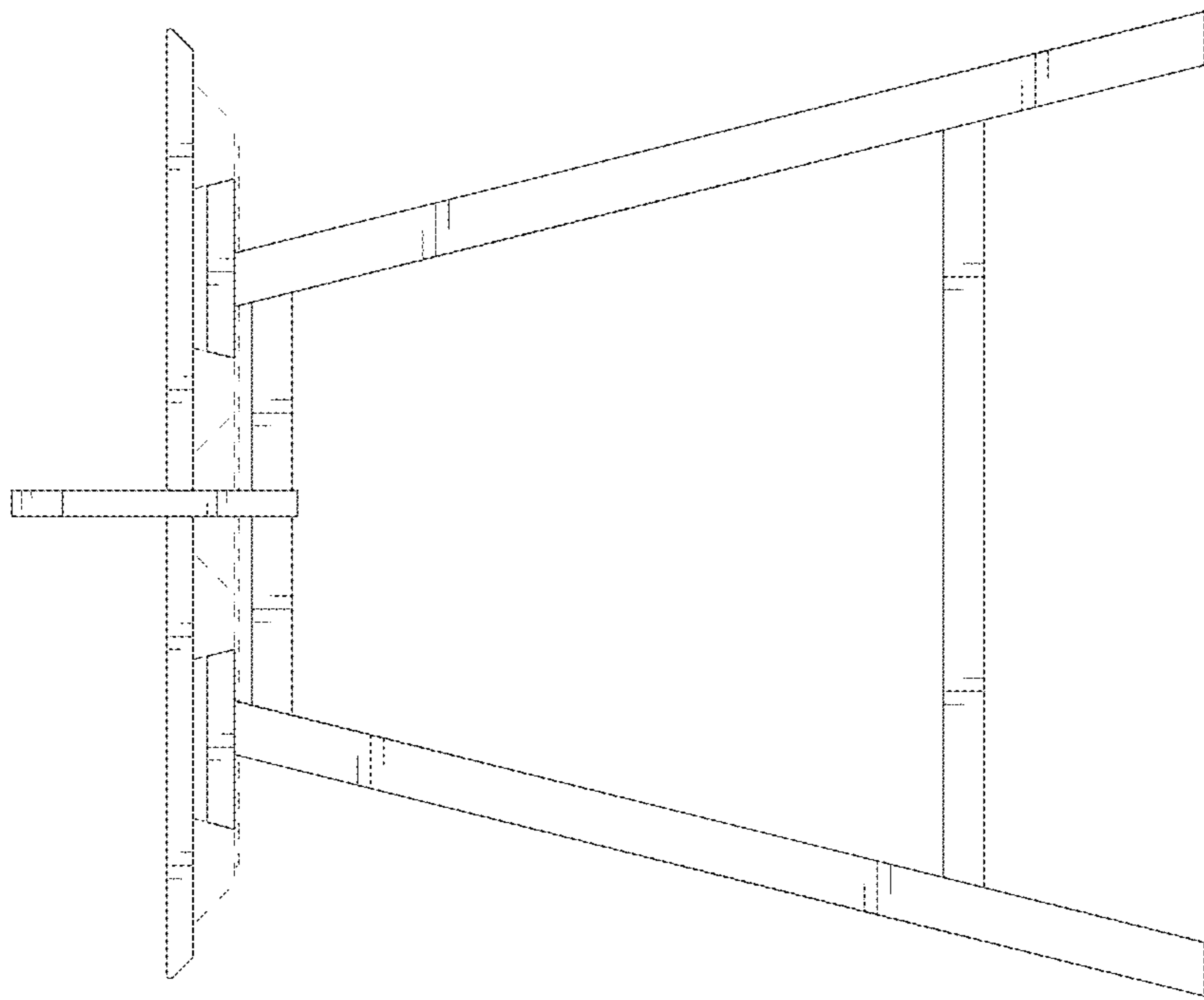


FIG. 8

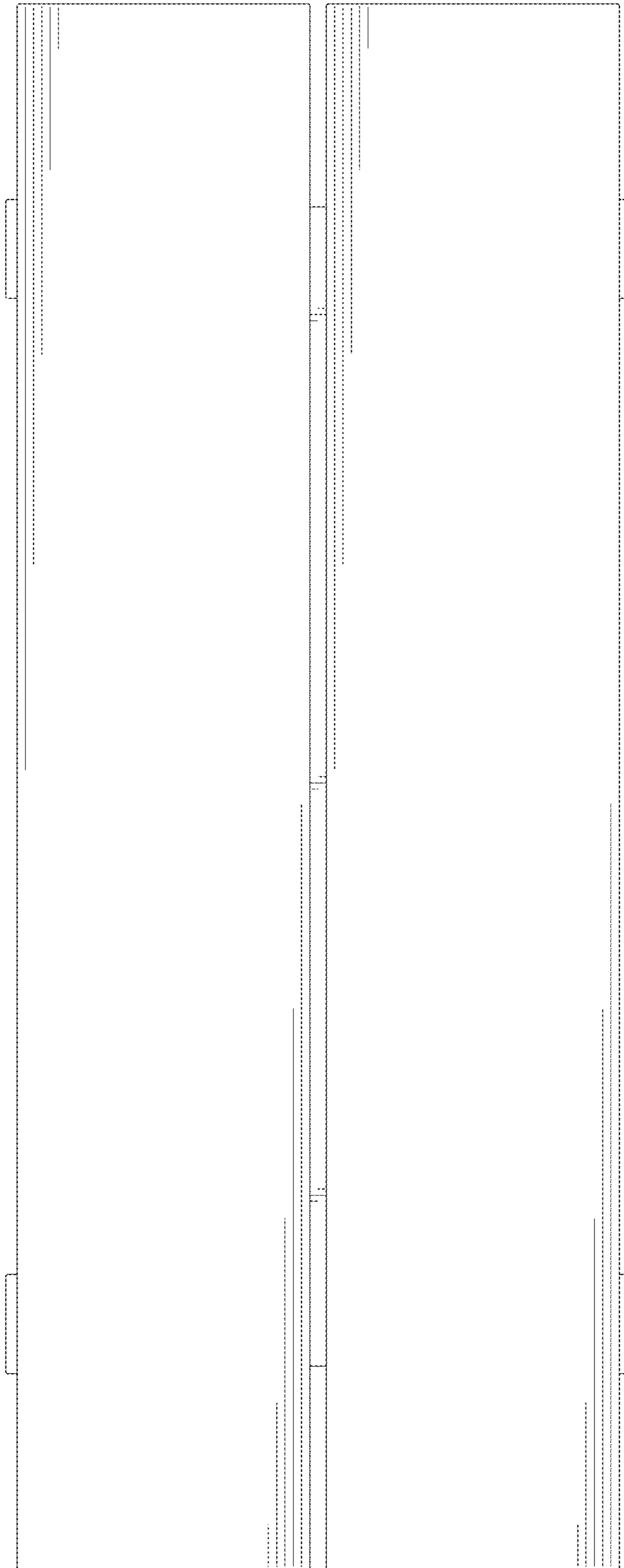


FIG. 9

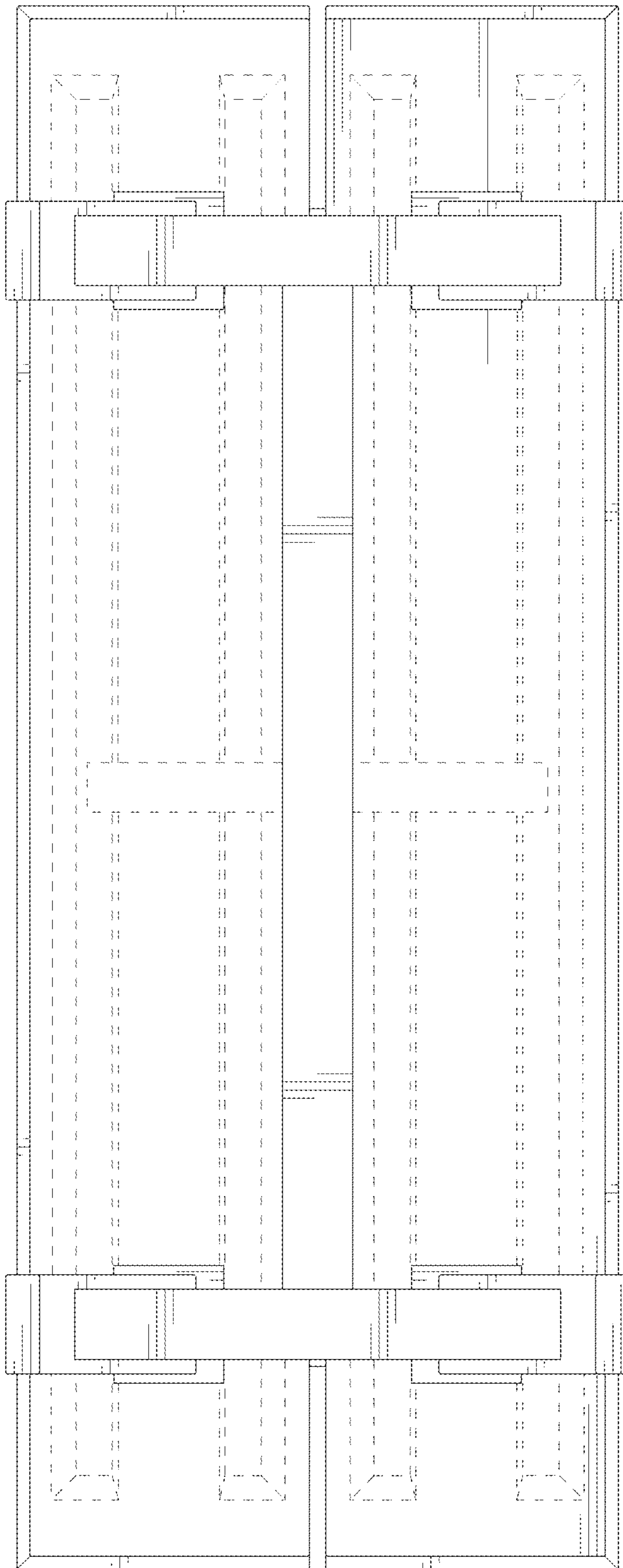


FIG. 10

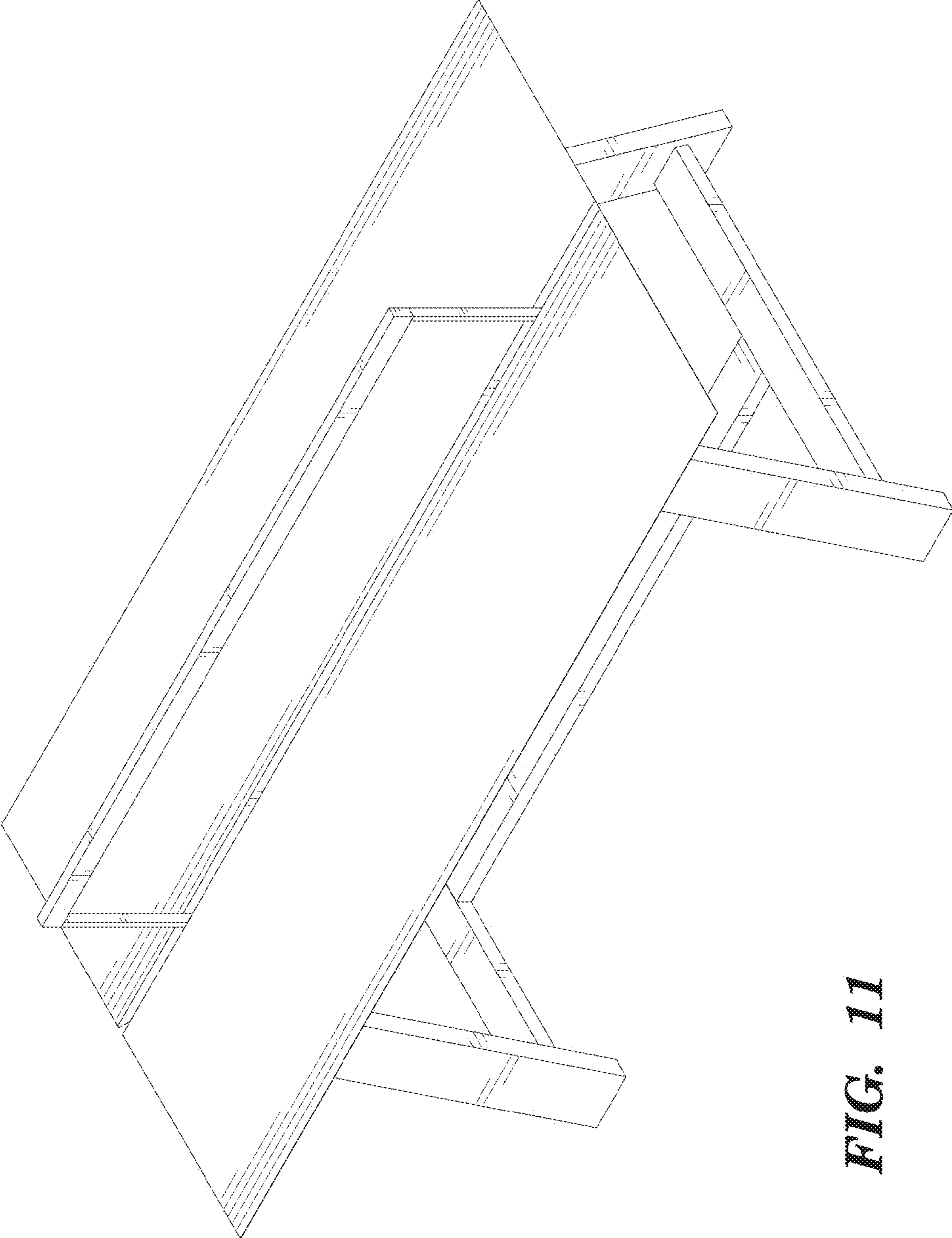


FIG. 11

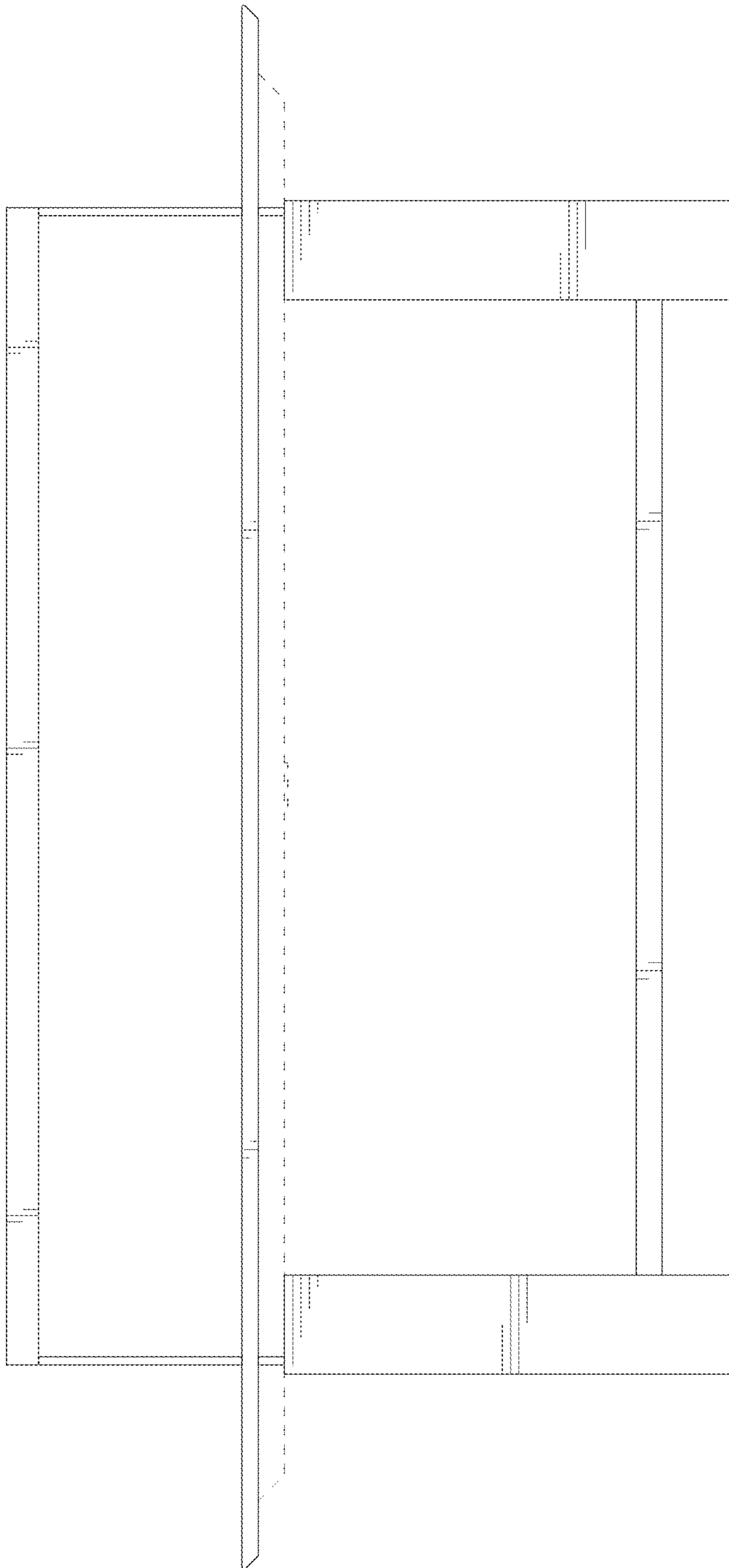


FIG. 12

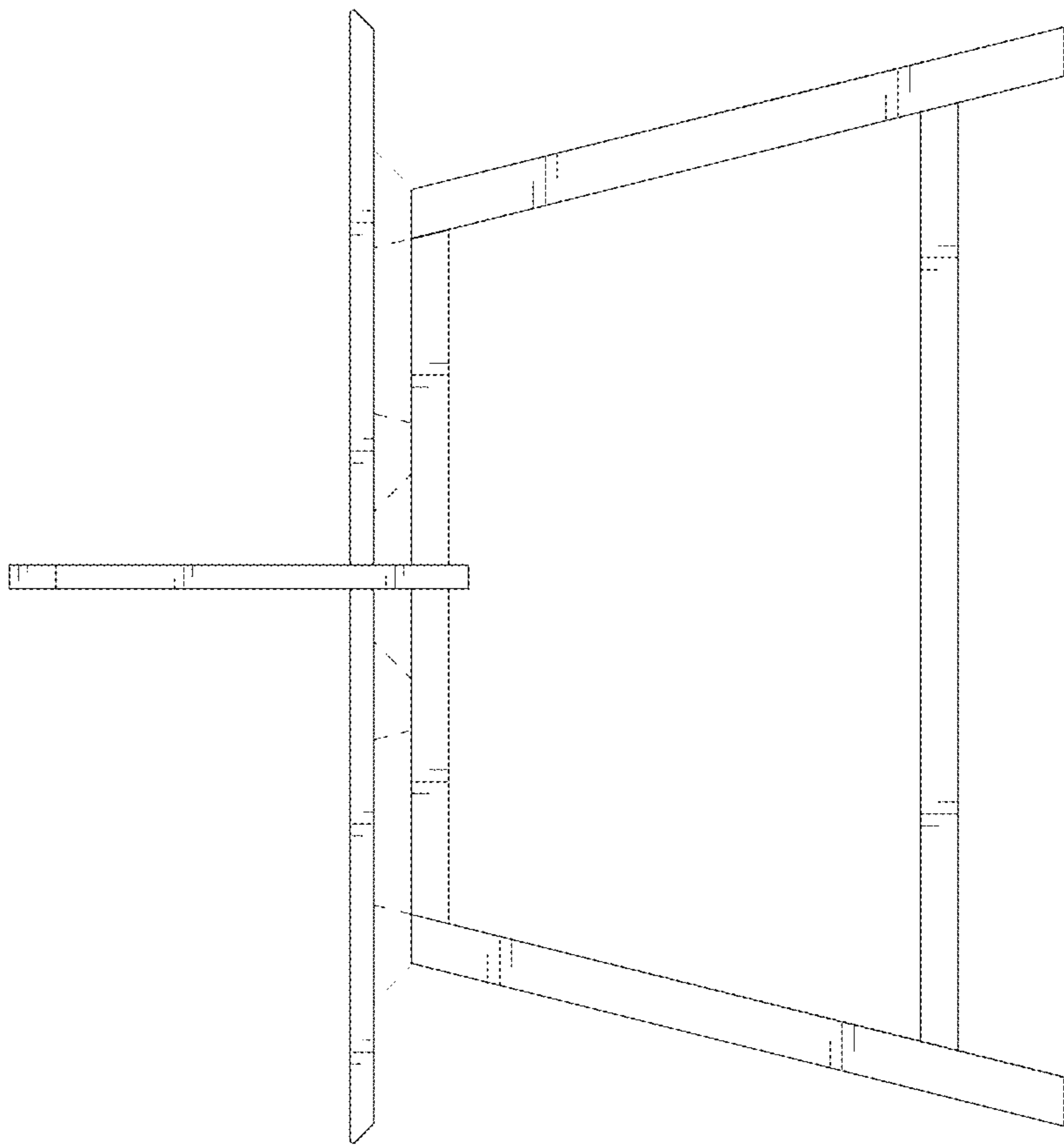


FIG. 13

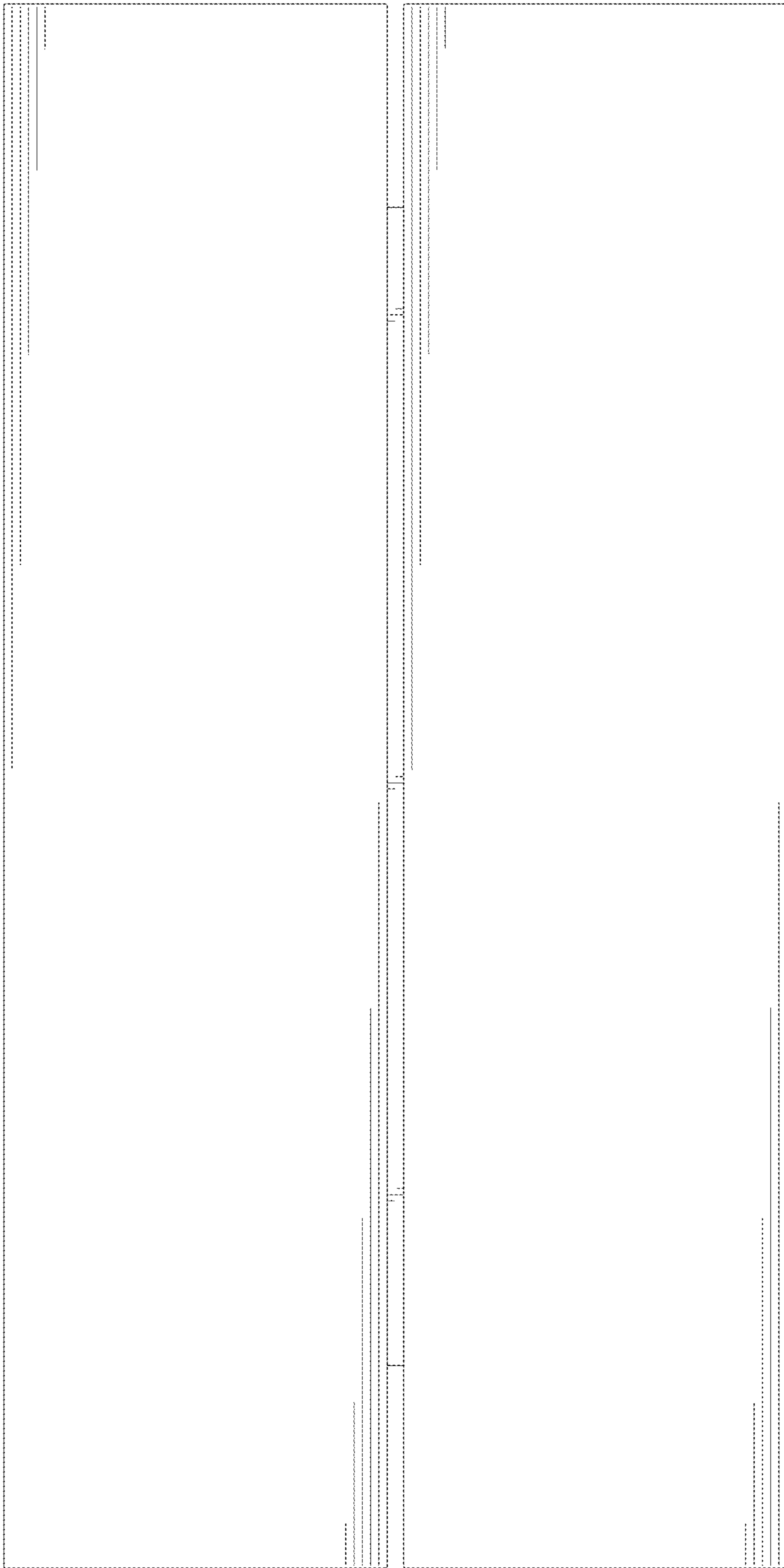


FIG. 14

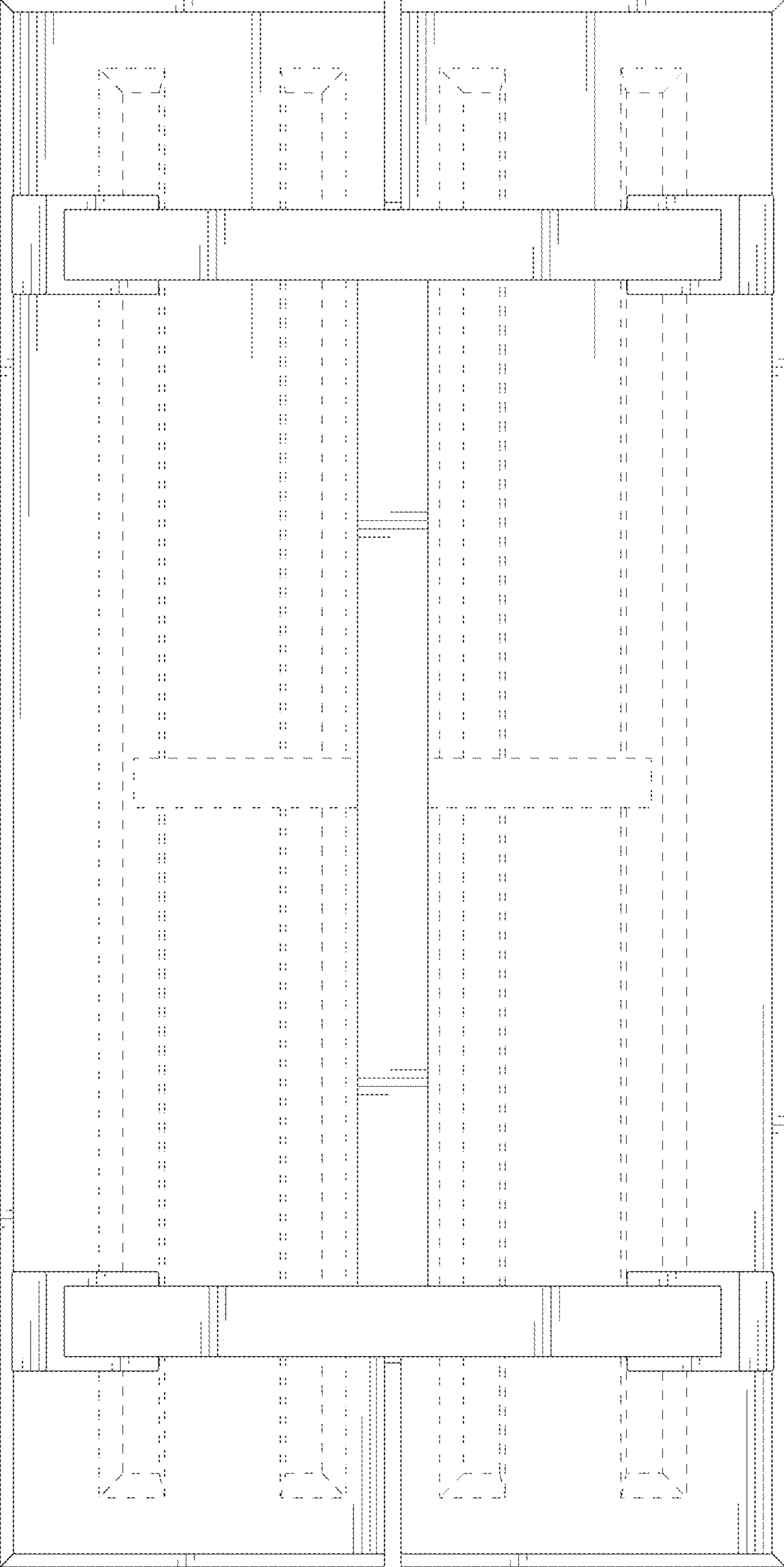


FIG. 15

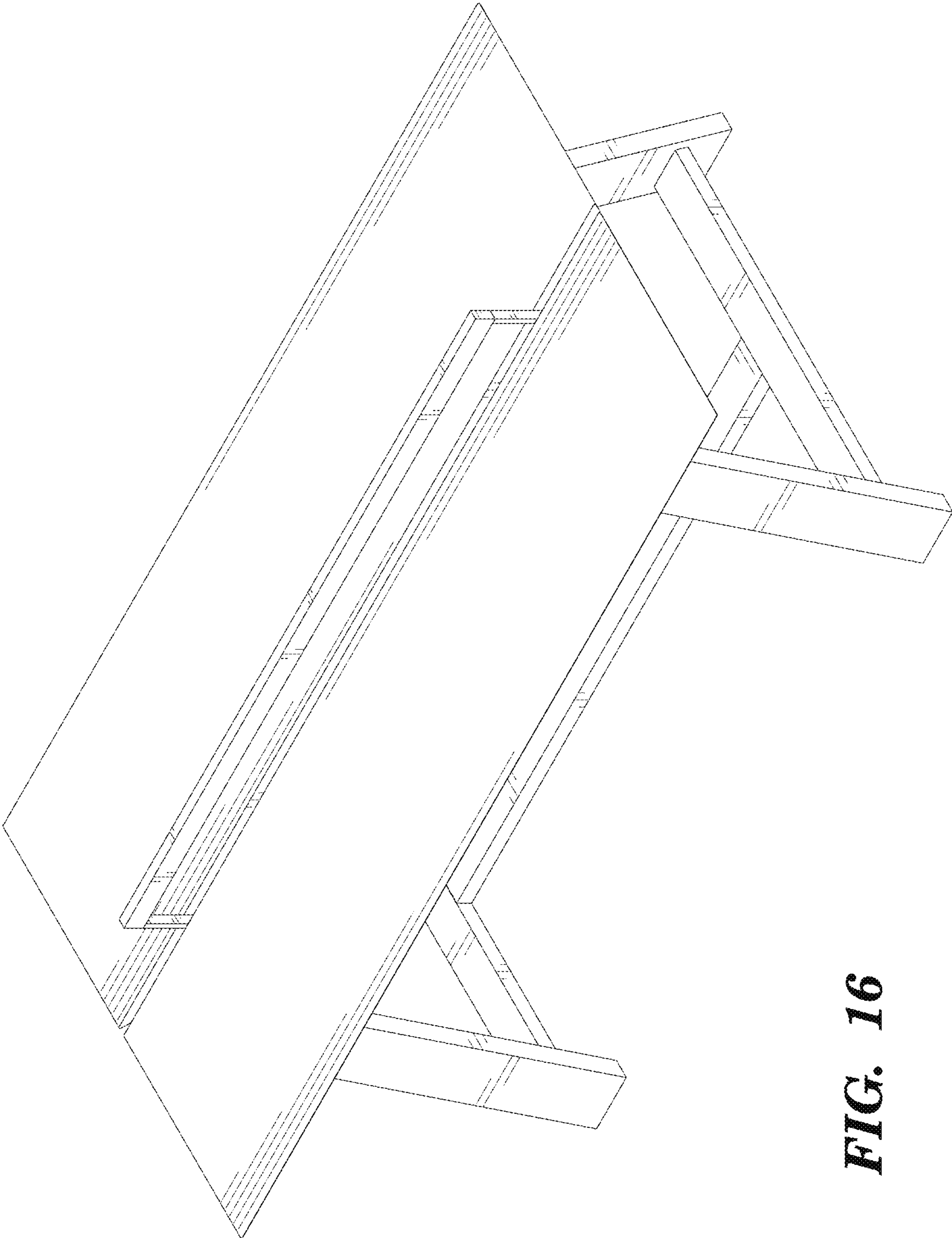


FIG. 16

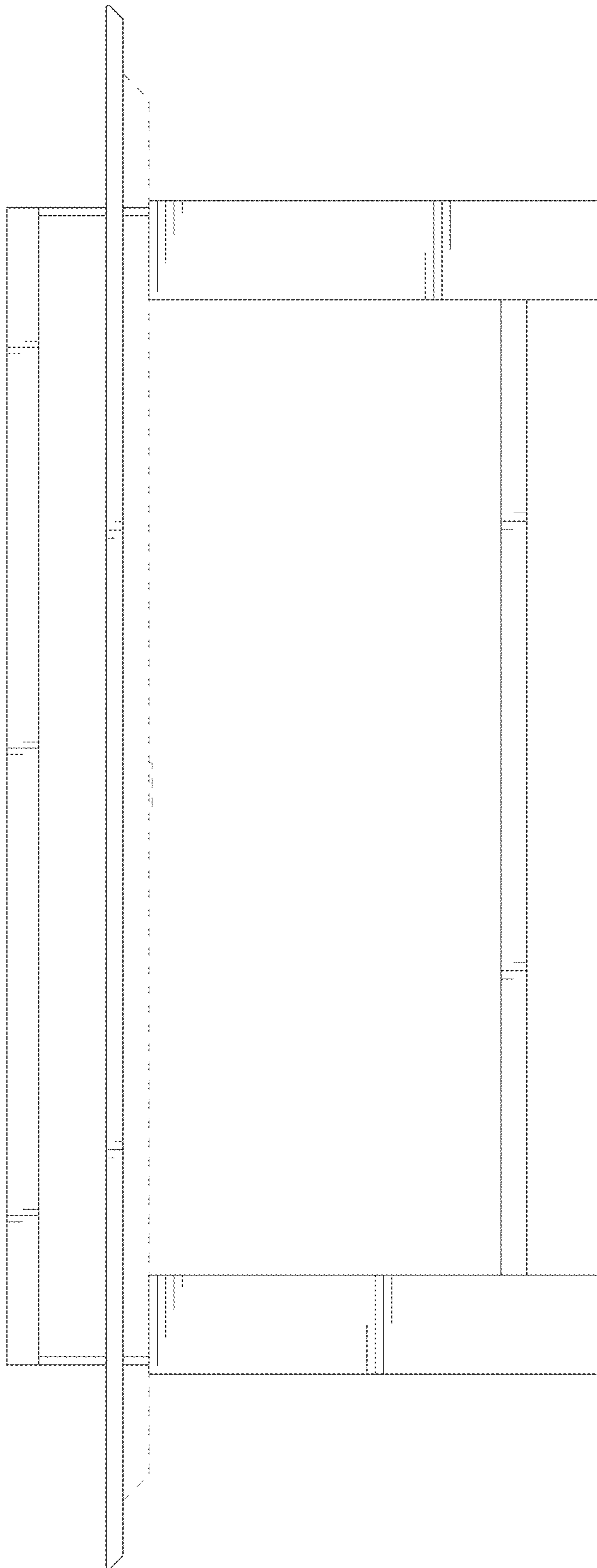


FIG. 17

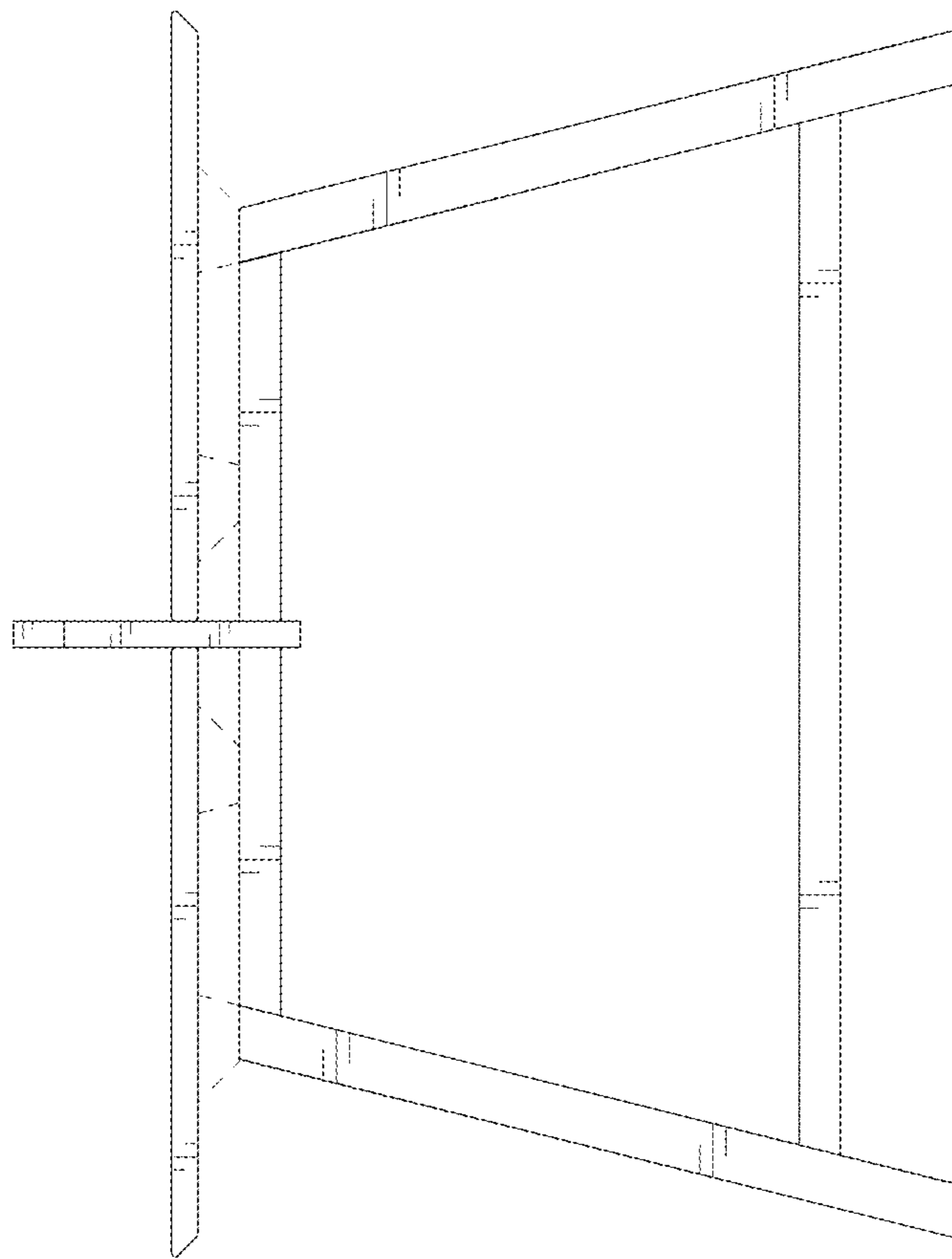


FIG. 18

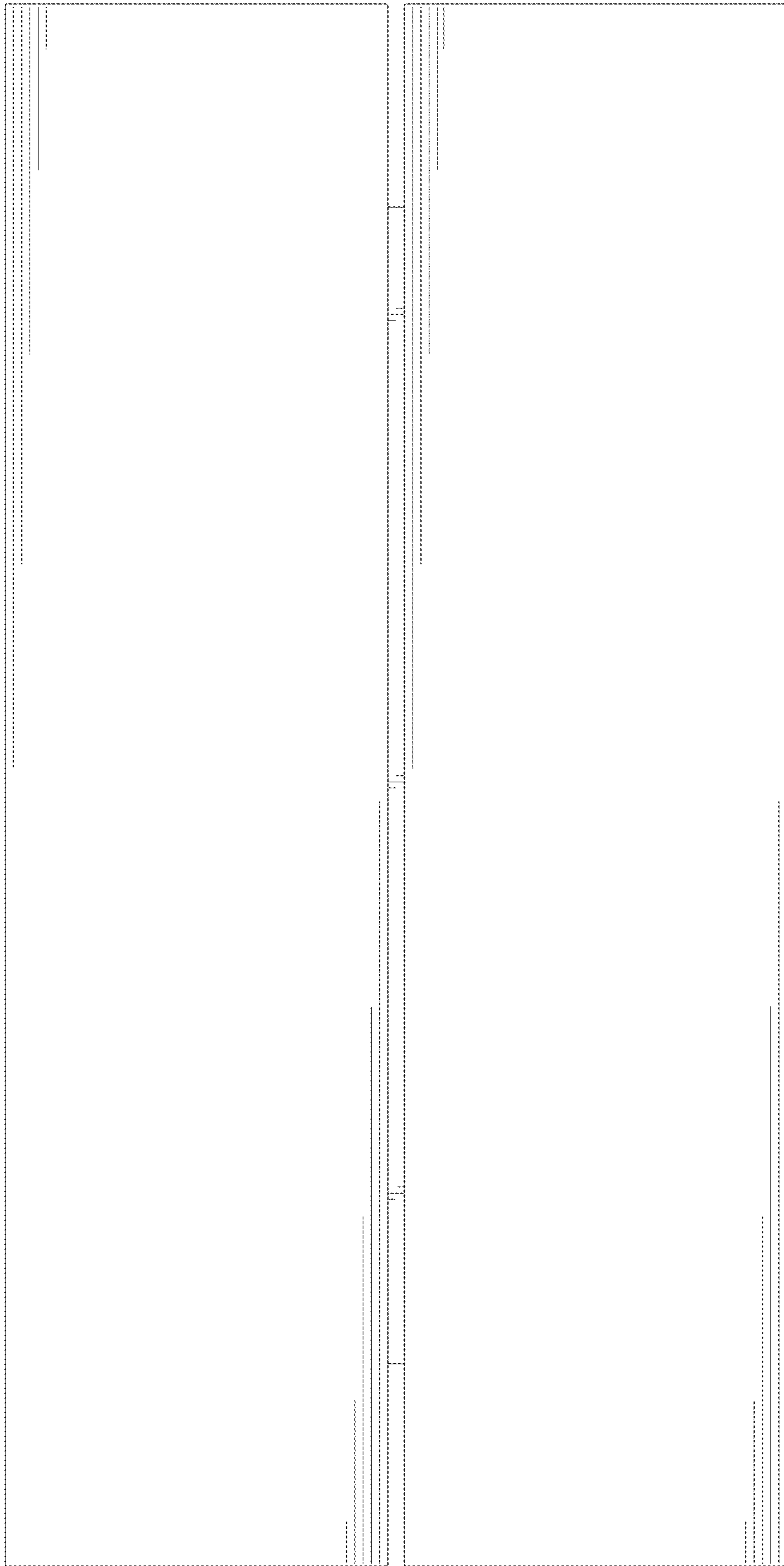


FIG. 19

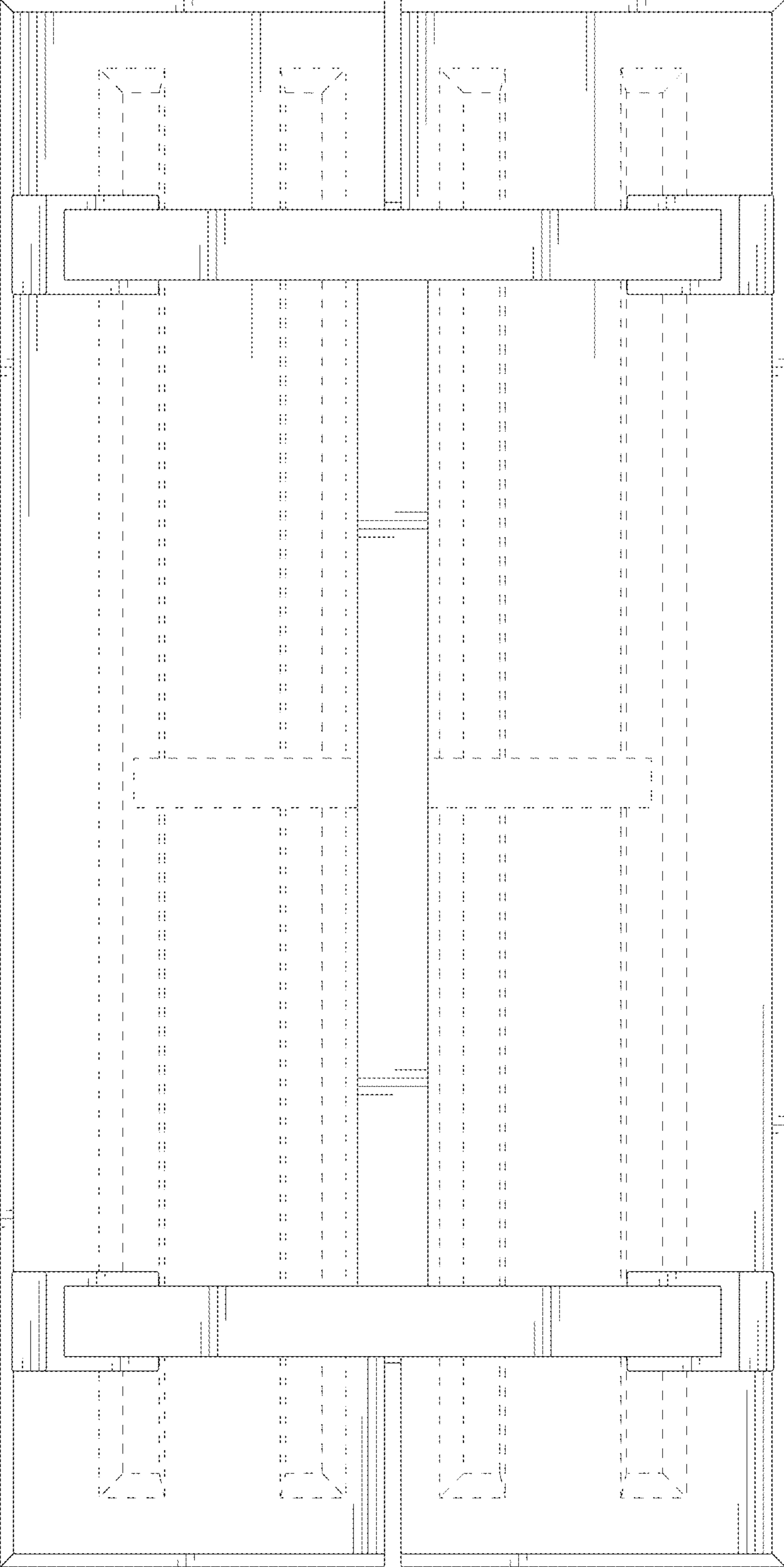


FIG. 20