



US00D868511S

(12) **United States Design Patent**
McBride

(10) **Patent No.:** **US D868,511 S**

(45) **Date of Patent:** **** Dec. 3, 2019**

- (54) **TURNTABLE**
- (71) Applicant: **InterDesign, Inc.**, Solon, OH (US)
- (72) Inventor: **Sara Czukal McBride**, Wickliffe, OH (US)
- (73) Assignee: **InterDesign, Inc.**, Solon, OH (US)
- (**) Term: **15 Years**
- (21) Appl. No.: **29/618,242**
- (22) Filed: **Sep. 20, 2017**
- (51) **LOC (12) Cl.** **06-06**
- (52) **U.S. Cl.**
USPC **D6/677.1**
- (58) **Field of Classification Search**
USPC D6/672, 677, 677.1, 677.2, 677.3, 682, D6/682.1; D3/304, 313, 316
CPC B65D 1/00; B65D 11/02; B65D 1/0223
See application file for complete search history.

4,433,885 A *	2/1984	Baker	A47B 49/006	312/125
4,688,686 A *	8/1987	Mitts	A47B 49/006	211/183
4,743,556 A	5/1988	Ervin			
4,945,061 A	7/1990	Iskander			
4,972,947 A *	11/1990	McCarthy	B43M 99/006	206/214
D312,554 S	12/1990	Daenen et al.			
5,277,488 A	1/1994	Cleary et al.			
D345,473 S	3/1994	Grundmann			
5,312,003 A *	5/1994	Domenig	A47B 49/004	211/131.1
D348,183 S	6/1994	Sawatsky et al.			
D362,787 S *	10/1995	Burke	D7/501	
D364,057 S	11/1995	Bowman			
5,494,346 A *	2/1996	Domenig	A47B 49/004	312/238
5,577,823 A	11/1996	Maglinger			
5,593,891 A	1/1997	Banes			

(Continued)

Primary Examiner — Kelley A Donnelly
(74) *Attorney, Agent, or Firm* — Calfee, Halter & Griswold, LLP

(57) **CLAIM**

I claim the ornamental design for a turntable, as shown and described.

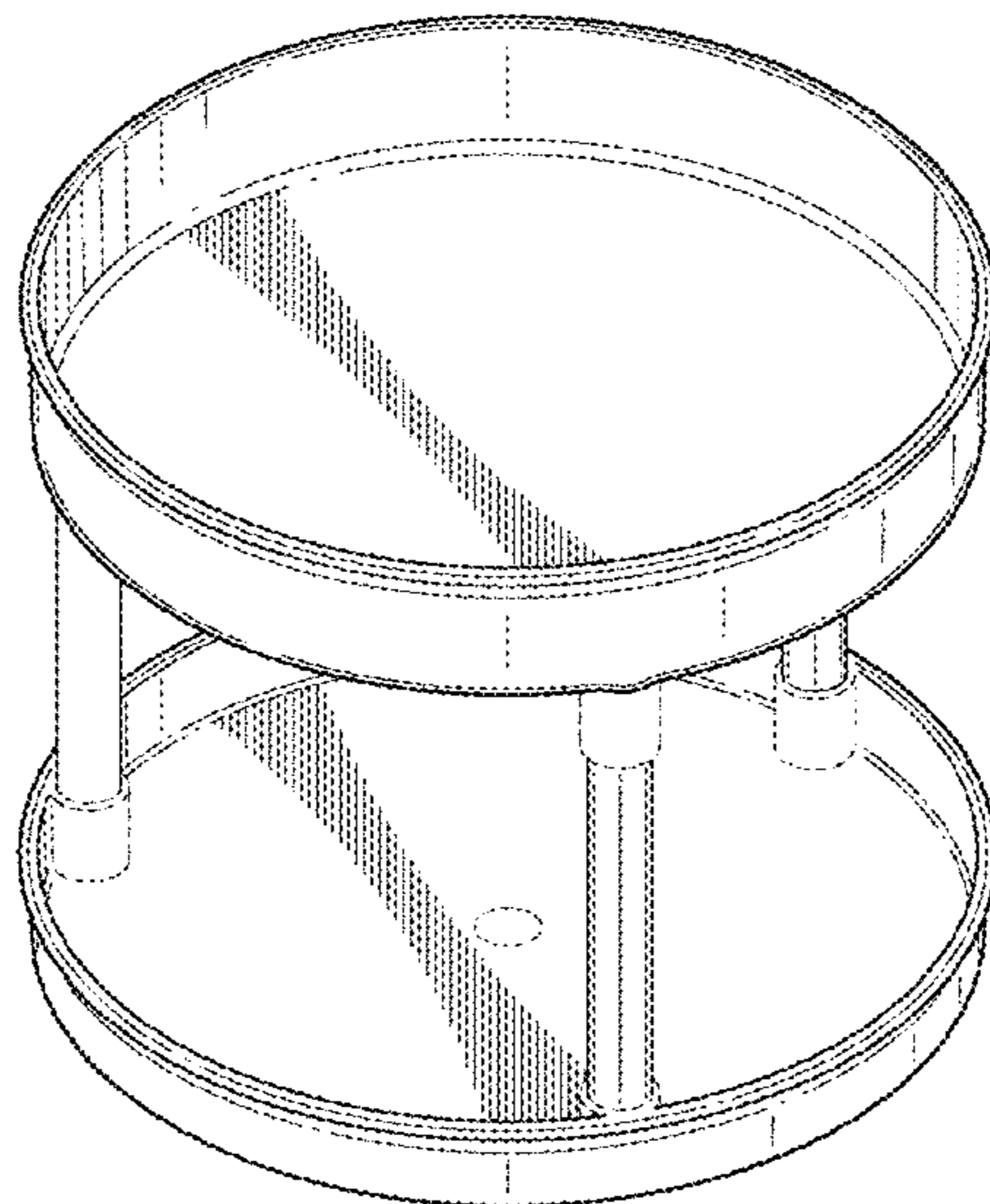
DESCRIPTION

FIG. 1 is a front/left/top perspective view of a turntable; FIG. 2 is a rear/right/bottom perspective view thereof; FIG. 3 is a front elevational view thereof; FIG. 4 is a right side elevational view thereof (a left side elevational view would be a mirror image thereof); FIG. 5 is a front elevational view thereof; FIG. 6 is a top plan view thereof; and, FIG. 7 is a bottom plan view thereof. The broken lines depict portions that form no part of the claimed design.

1 Claim, 5 Drawing Sheets

(56) **References Cited**
U.S. PATENT DOCUMENTS

1,687,149 A	10/1928	Shauer et al.		
1,941,906 A	1/1934	Marinsky		
2,058,002 A	10/1936	Daum		
D118,238 S	12/1939	Klusmeyer		
2,198,091 A	4/1940	Rodolfa		
2,638,400 A	5/1953	Spotts		
2,693,989 A	11/1954	Santana et al.		
2,727,645 A	12/1955	Dore		
2,831,582 A *	4/1958	Cody	A47B 49/004
				108/141
D197,981 S *	4/1964	Miller	D7/505
3,540,985 A	11/1970	Gross		
3,951,079 A *	4/1976	Tolleson	A47F 5/02
				108/94
D241,462 S	9/1976	Criscitiello, Jr.		
4,191,437 A	3/1980	Funke		



(56)

References Cited

U.S. PATENT DOCUMENTS

D380,350	S *	7/1997	Tortorella	D7/501
5,894,944	A *	4/1999	Swift	A47G 23/08
					211/128.1
6,017,108	A *	1/2000	Domenig	A47B 49/006
					312/135
D465,350	S	11/2002	Byrne		
6,591,993	B2	7/2003	Humphrey		
D558,526	S *	1/2008	Molina	D7/550.1
D565,253	S	3/2008	Modi et al.		
D594,270	S	6/2009	Rae		
D624,360	S *	9/2010	Leavelle	D7/501
D660,326	S	5/2012	Allette		
8,459,474	B2 *	6/2013	Sagel	A47B 49/006
					211/144
D685,603	S	7/2013	Mishan		
9,052,134	B1	6/2015	Batchler		
D775,873	S *	1/2017	Burnett	A47G 1/202
					D6/677.2
D839,671	S *	2/2019	Greenwood	D7/501
D854,250	S *	7/2019	Huang	D28/73
2003/0196978	A1	10/2003	Humphrey		
2005/0194873	A1 *	9/2005	Hoffman	A47B 49/006
					312/305
2005/0199159	A1	9/2005	Searer		
2008/0134551	A1	6/2008	Conforti et al.		
2009/0230069	A1 *	9/2009	Naden	A47B 49/004
					211/144
2011/0127228	A1 *	6/2011	Sagel	A47B 49/004
					211/144
2014/0162352	A1	6/2014	Iskander et al.		
2016/0045039	A1 *	2/2016	McGregor	A47B 49/006
					211/144

* cited by examiner

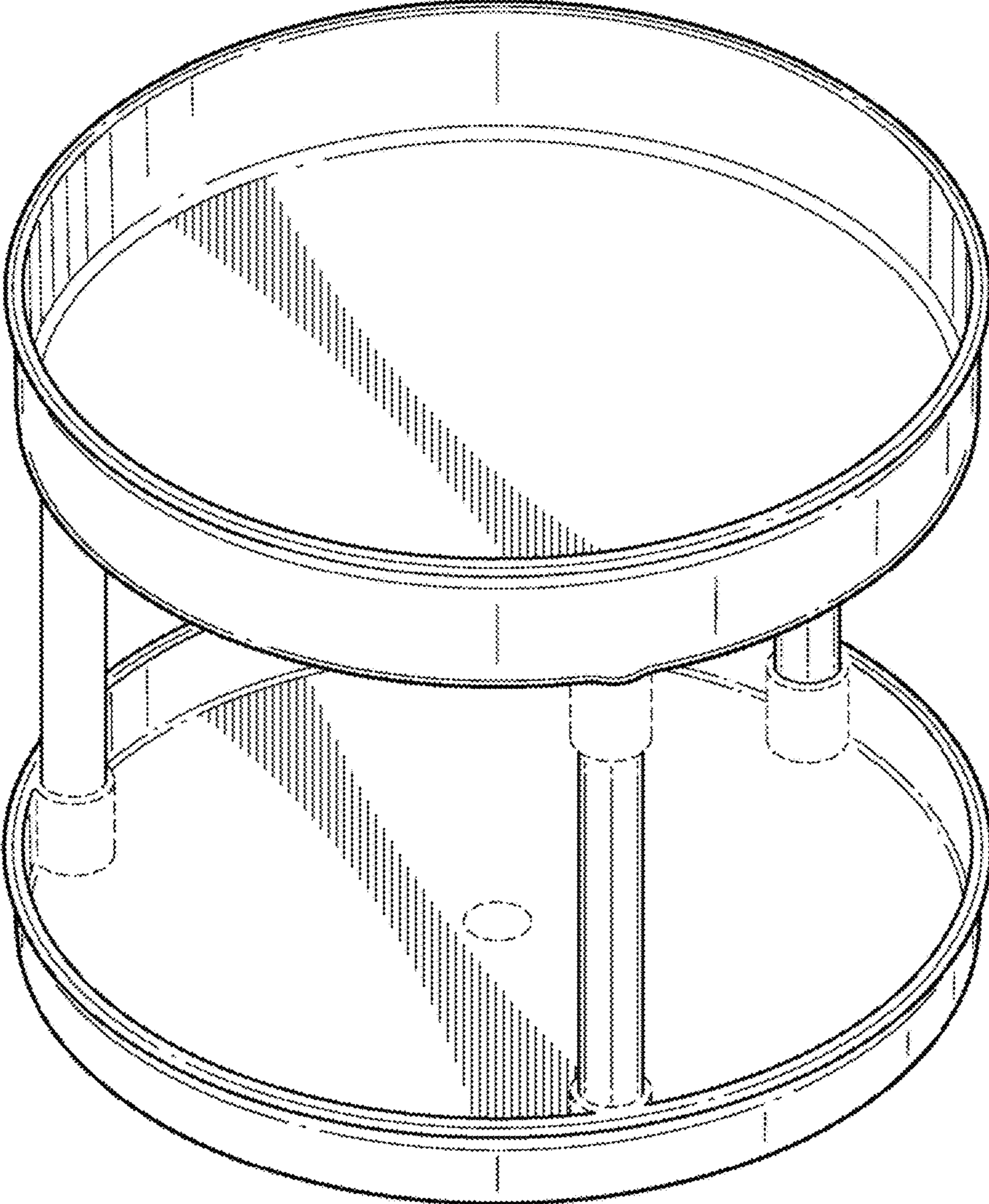


FIG. 1

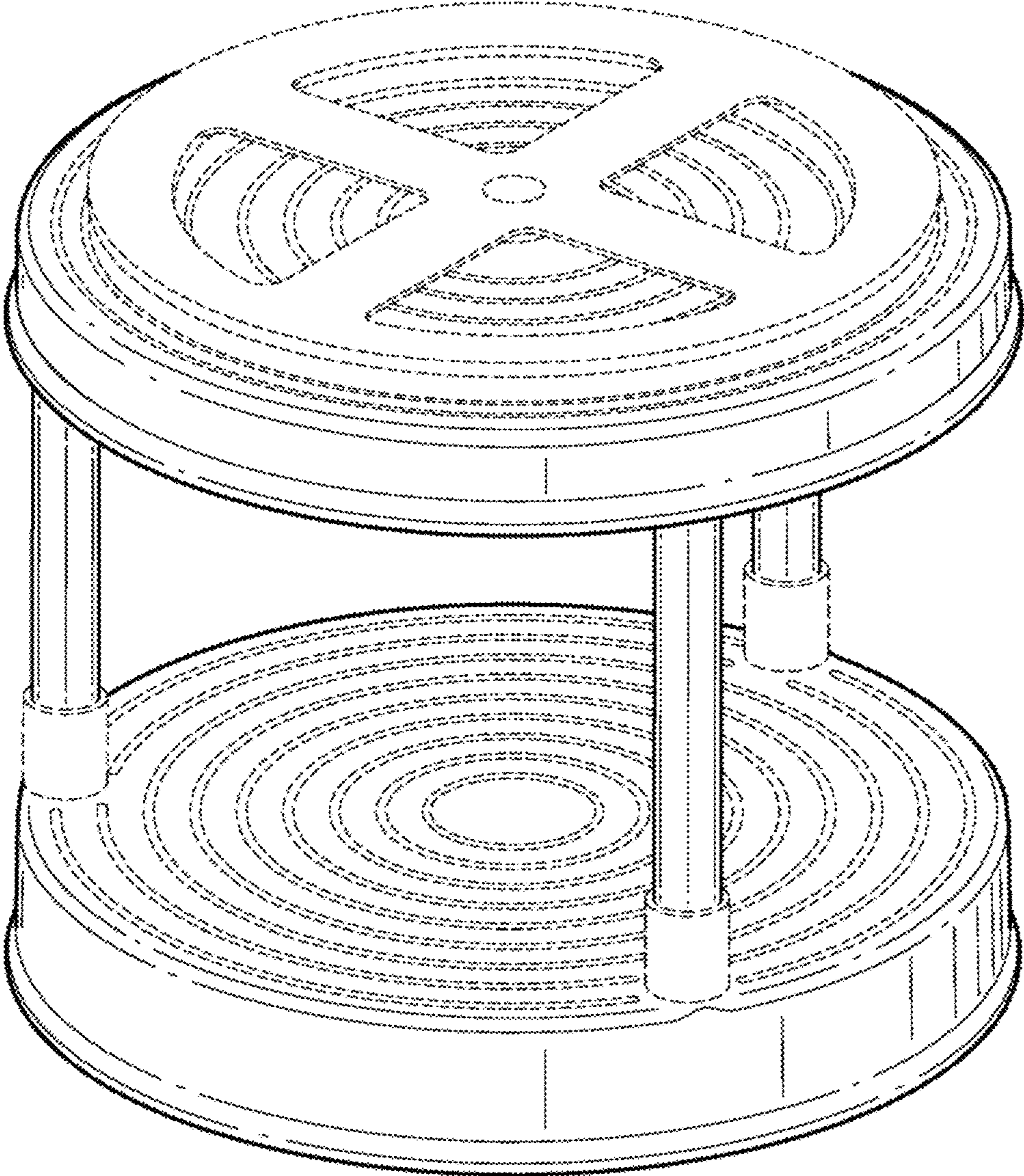


FIG. 2

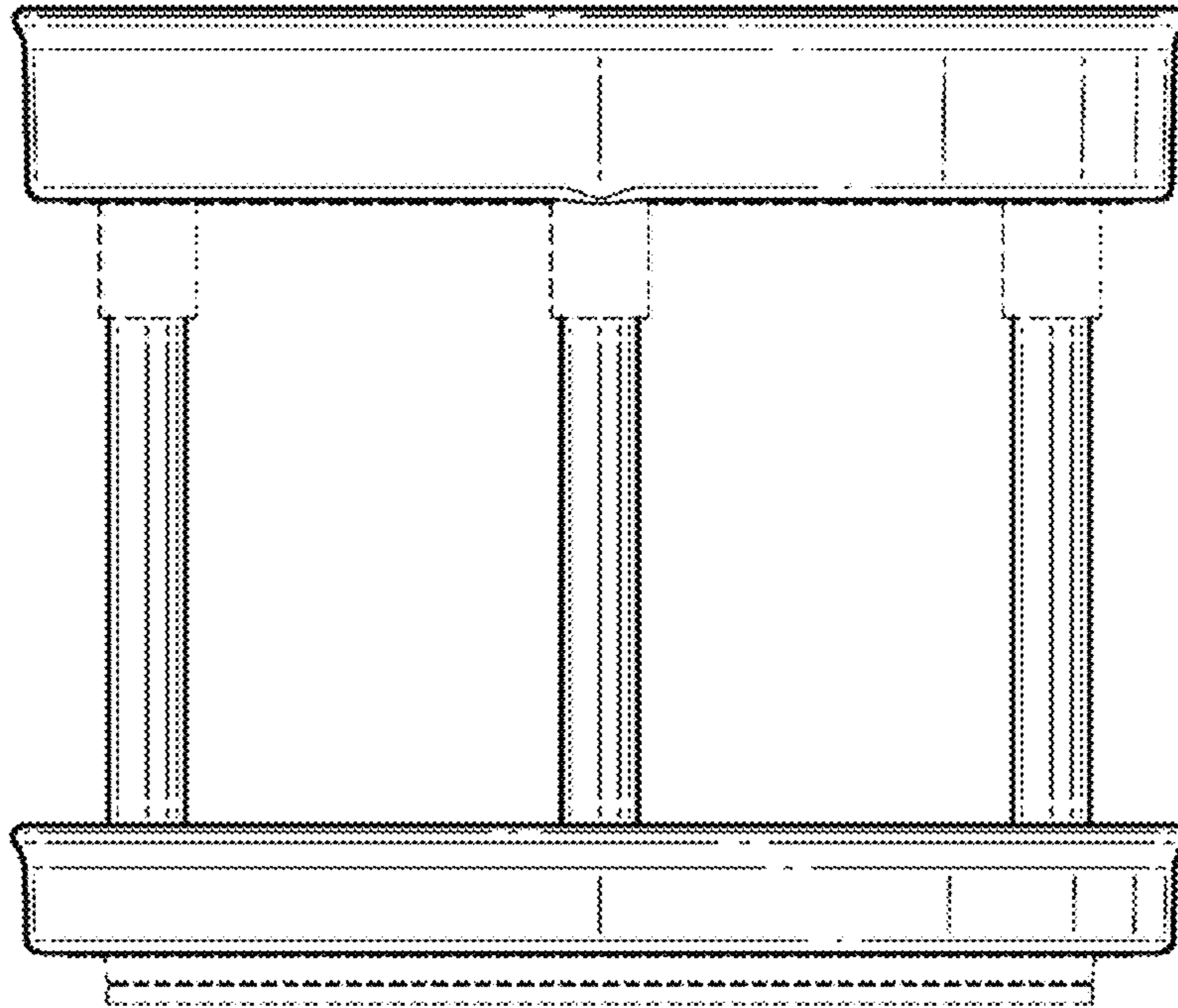


FIG. 3

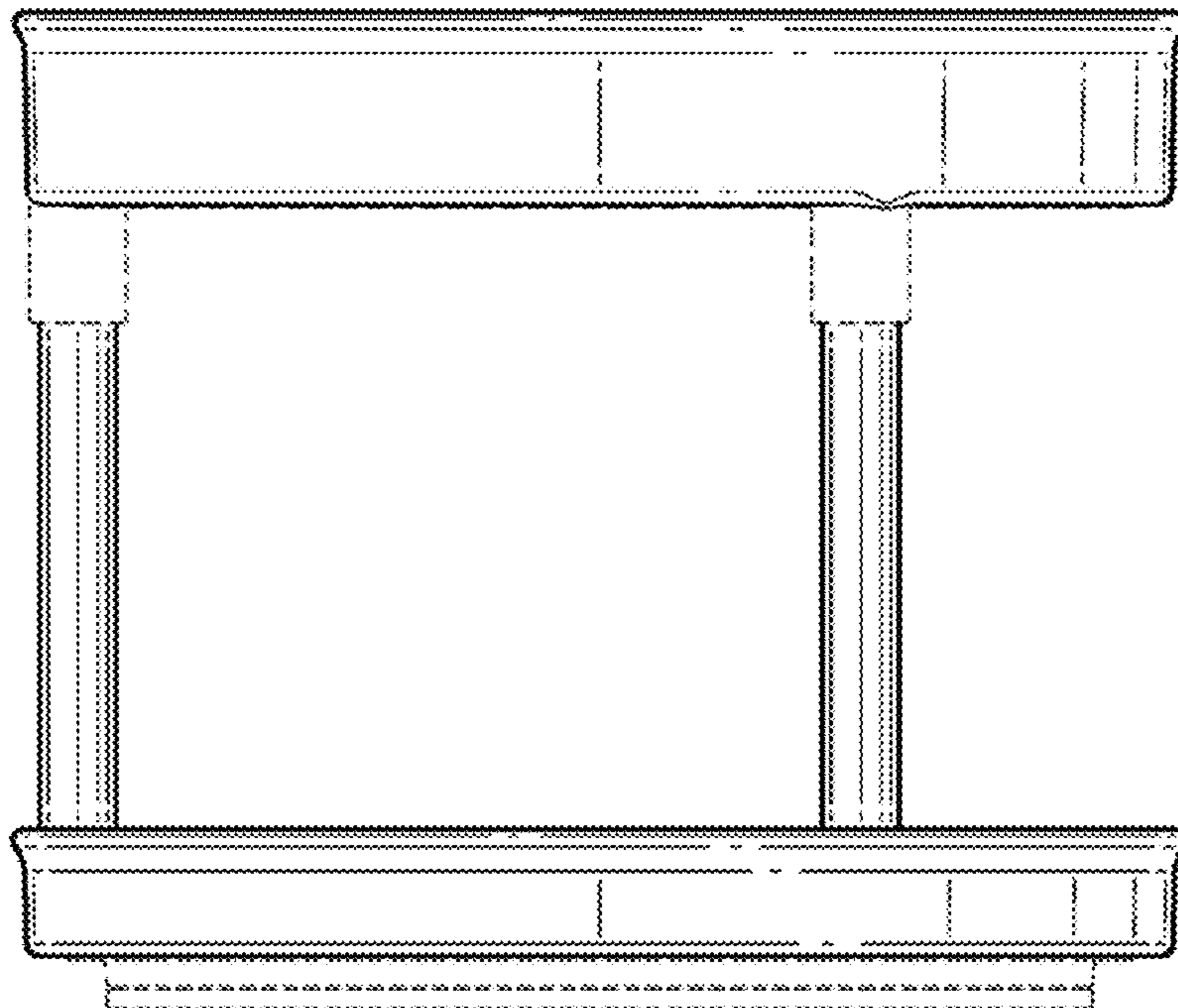


FIG. 4

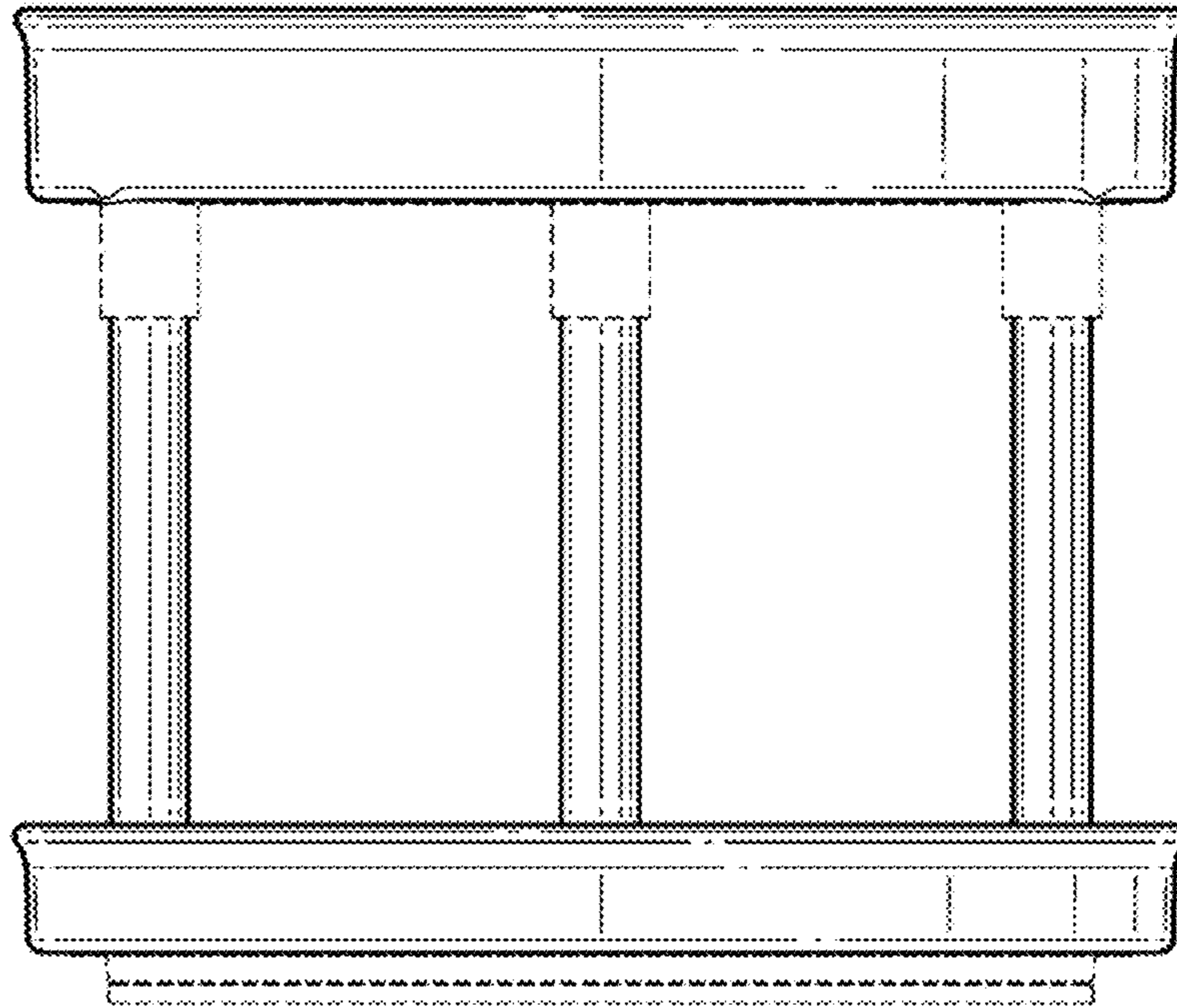


FIG. 5

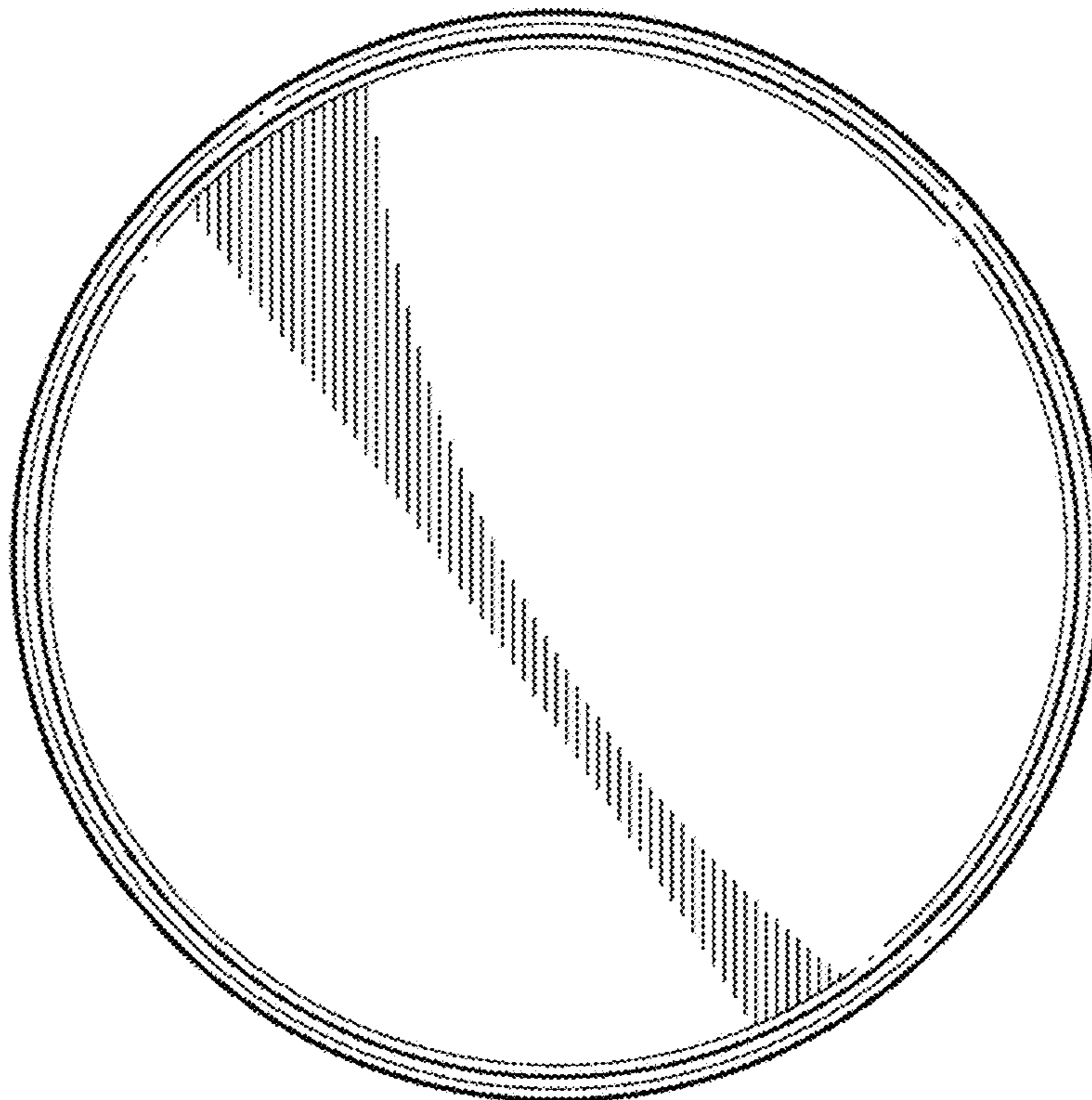


FIG. 6

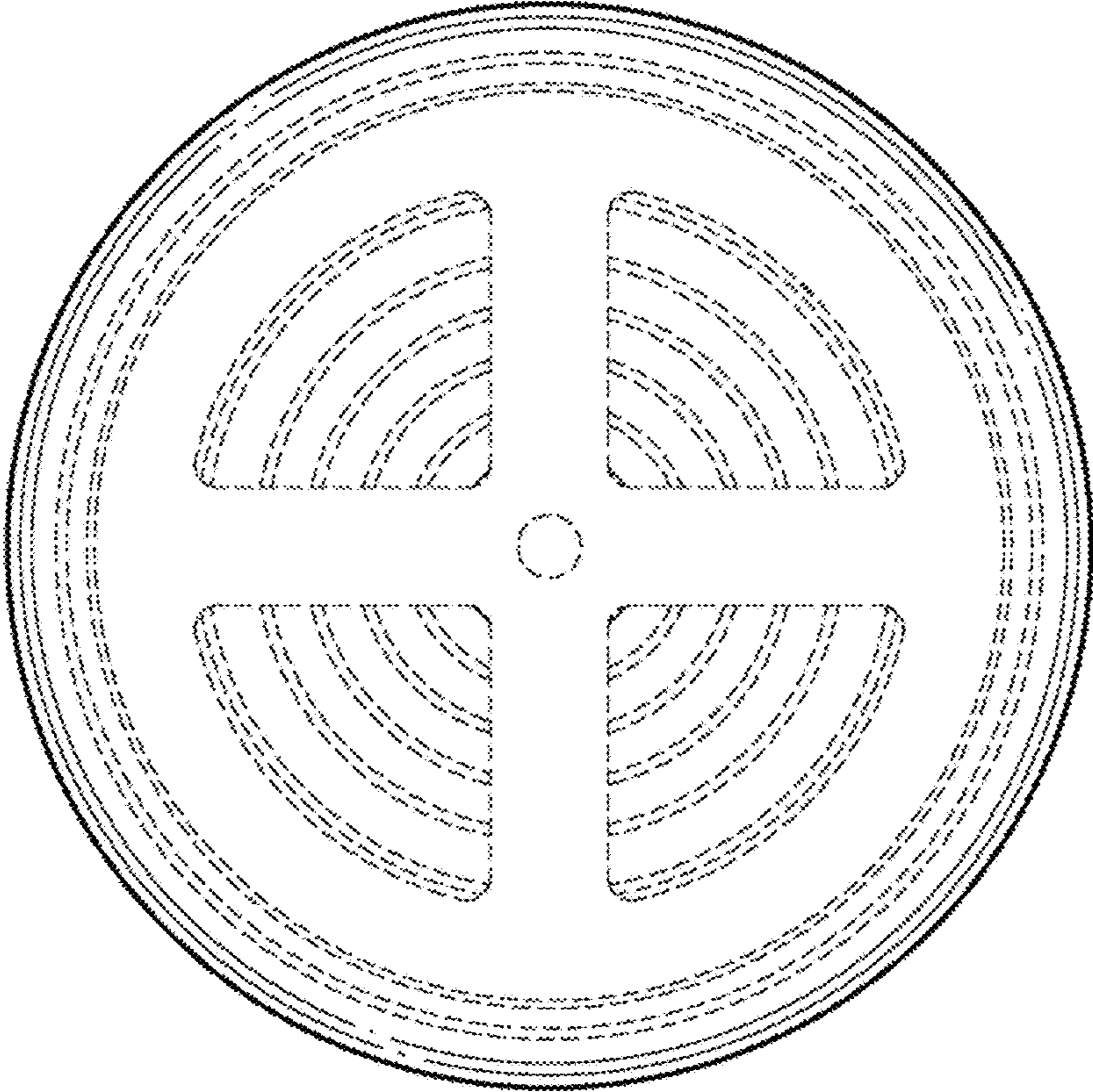


FIG. 7