



US00D868509S

(12) **United States Design Patent** (10) **Patent No.:** **US D868,509 S**
Matthai et al. (45) **Date of Patent:** **** Dec. 3, 2019**

(54) **CHASE**

(71) Applicant: **HERMAN MILLER, INC.**, Zeeland, MI (US)

(72) Inventors: **John Matthai**, Holland, MI (US); **Joel Ruiter**, Ada, MI (US)

(73) Assignee: **HERMAN MILLER, INC.**, Zeeland, MI (US)

(**) Term: **15 Years**

(21) Appl. No.: **29/648,707**

(22) Filed: **May 23, 2018**

(51) **LOC (12) Cl.** **06-04**

(52) **U.S. Cl.**
USPC **D6/672**

(58) **Field of Classification Search**
USPC D6/641, 656, 656.13, 656.16, 672, 675, D6/682.4, 684, 691, 691.1, 691.5, 698; D13/110, 139.1–139.8
CPC ... A47B 21/00; A47B 21/06; A47B 2200/008; A47B 2200/0081; A47B 83/001; H05K 7/00; H05K 7/026; H05K 7/10; H05K 5/0017

See application file for complete search history.

(56) **References Cited**

U.S. PATENT DOCUMENTS

D299,798 S * 2/1989 Sottsas D6/656.16
D401,451 S * 11/1998 Sherman D6/682.4
D461,330 S * 8/2002 Wang D6/349
D505,559 S * 5/2005 Sun D6/349
D512,587 S * 12/2005 Frenkler D6/691.5
D554,909 S * 11/2007 Theemann D6/691.5
D571,121 S * 6/2008 Radermacher D15/127
D615,779 S * 5/2010 Hernandez D6/656.16
D618,473 S * 6/2010 Hernandez D6/656.17
D660,250 S * 5/2012 Martin D13/155

D662,731 S * 7/2012 Martin D6/656
D753,419 S * 4/2016 Heirakuji D6/675
9,427,083 B2 8/2016 Dame et al.
D765,450 S * 9/2016 Biddle D6/691
D781,086 S * 3/2017 Velez D6/656
D783,319 S * 4/2017 Udagawa D6/672
D786,587 S * 5/2017 Udagawa D6/672
D787,240 S * 5/2017 Udagawa D6/672
9,730,513 B2 * 8/2017 Udagawa A47C 7/62
D810,476 S * 2/2018 Heirakuji D6/675
D823,013 S * 7/2018 Burden D6/349
D828,059 S * 9/2018 Lunardi D6/682.4
D833,186 S * 11/2018 Xing D6/684
2005/0101193 A1 * 5/2005 Godard H01R 13/6683
439/652
2009/0165679 A1 * 7/2009 Bakker A47B 21/06
108/50.02

(Continued)

Primary Examiner — John Windmuller
Assistant Examiner — Steven J Czyz
(74) *Attorney, Agent, or Firm* — Michael Best & Friedrich LLP

(57) **CLAIM**

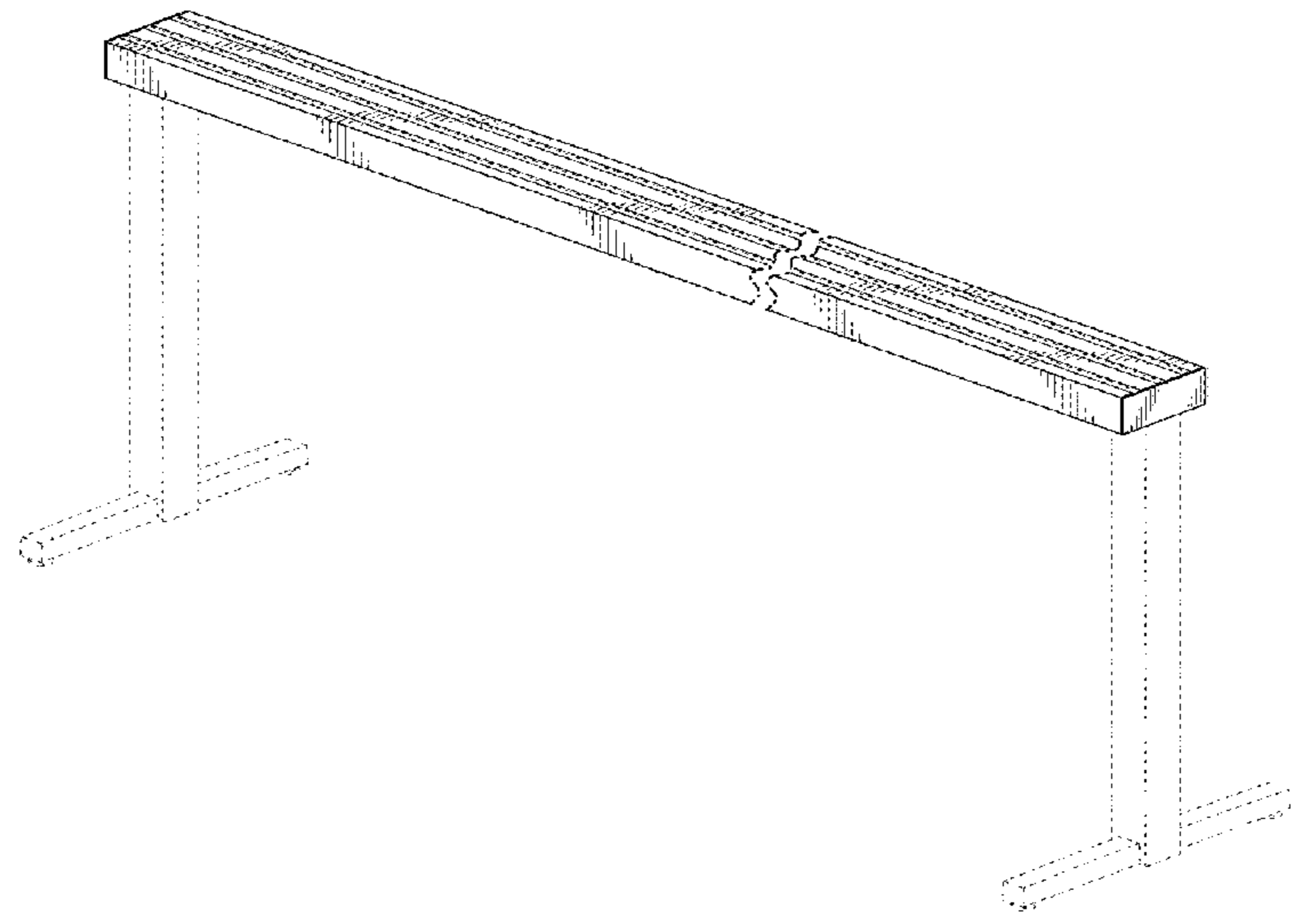
We claim the ornamental design for a chase, as shown and described.

DESCRIPTION

FIG. 1 is a perspective view of a chase;
FIG. 2 is a first side view thereof;
FIG. 3 is a second side view thereof;
FIG. 4 is a first end view thereof;
FIG. 5 is a second end view thereof;
FIG. 6 is a top view thereof; and,
FIG. 7 is a bottom view thereof.

The broken lines depict portions of the article that form no part of the claimed design.
The chase is shown broken away to indicate that it has no specific length other than the one shown.

1 Claim, 5 Drawing Sheets



(56)

References Cited

U.S. PATENT DOCUMENTS

2010/0282540	A1 *	11/2010	Moss	B25H 1/06 182/119
2010/0288585	A1 *	11/2010	Katz	B25H 1/04 182/155
2014/0106610	A1 *	4/2014	Byrne	A47B 97/00 439/544
2015/0173505	A1 *	6/2015	Mirth	A47B 13/16 211/186
2015/0238008	A1 *	8/2015	Rutz	A47B 13/081 384/26

* cited by examiner

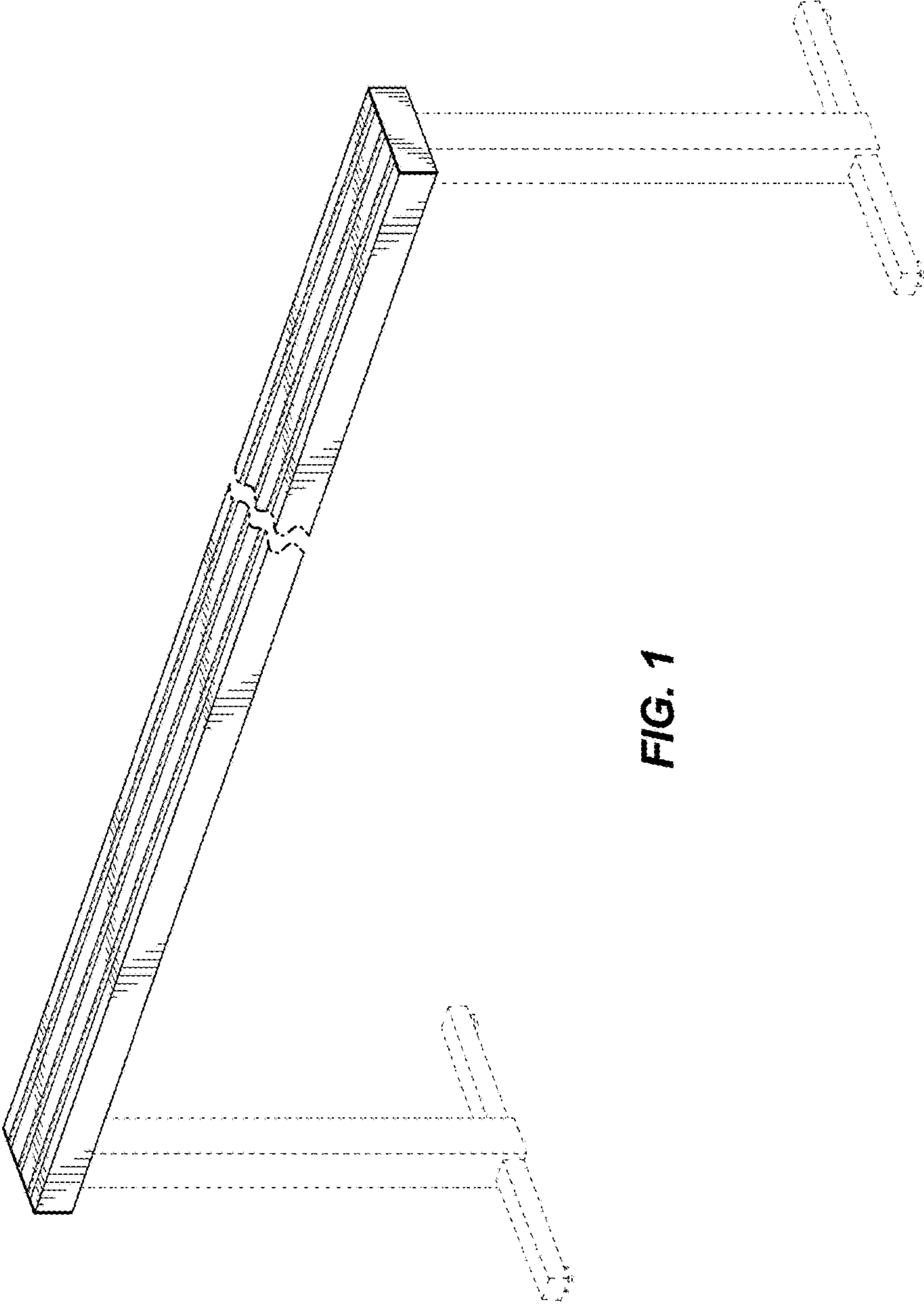


FIG. 1



FIG. 2

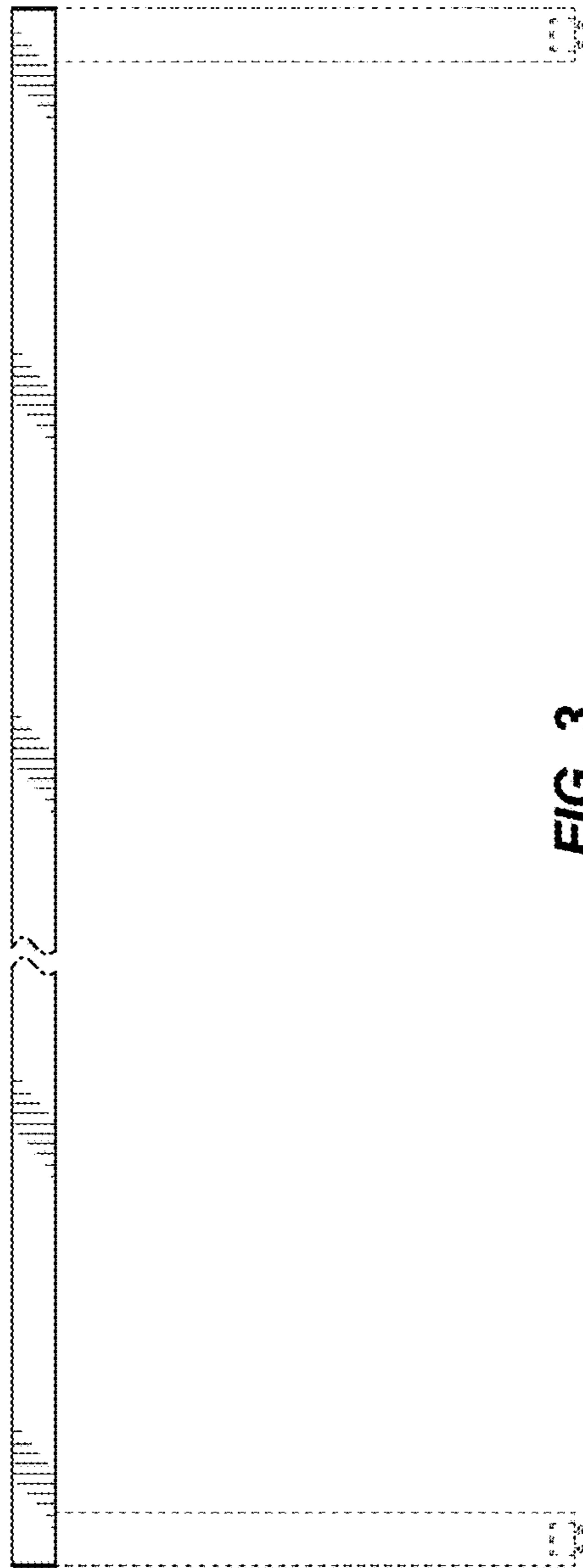


FIG. 3

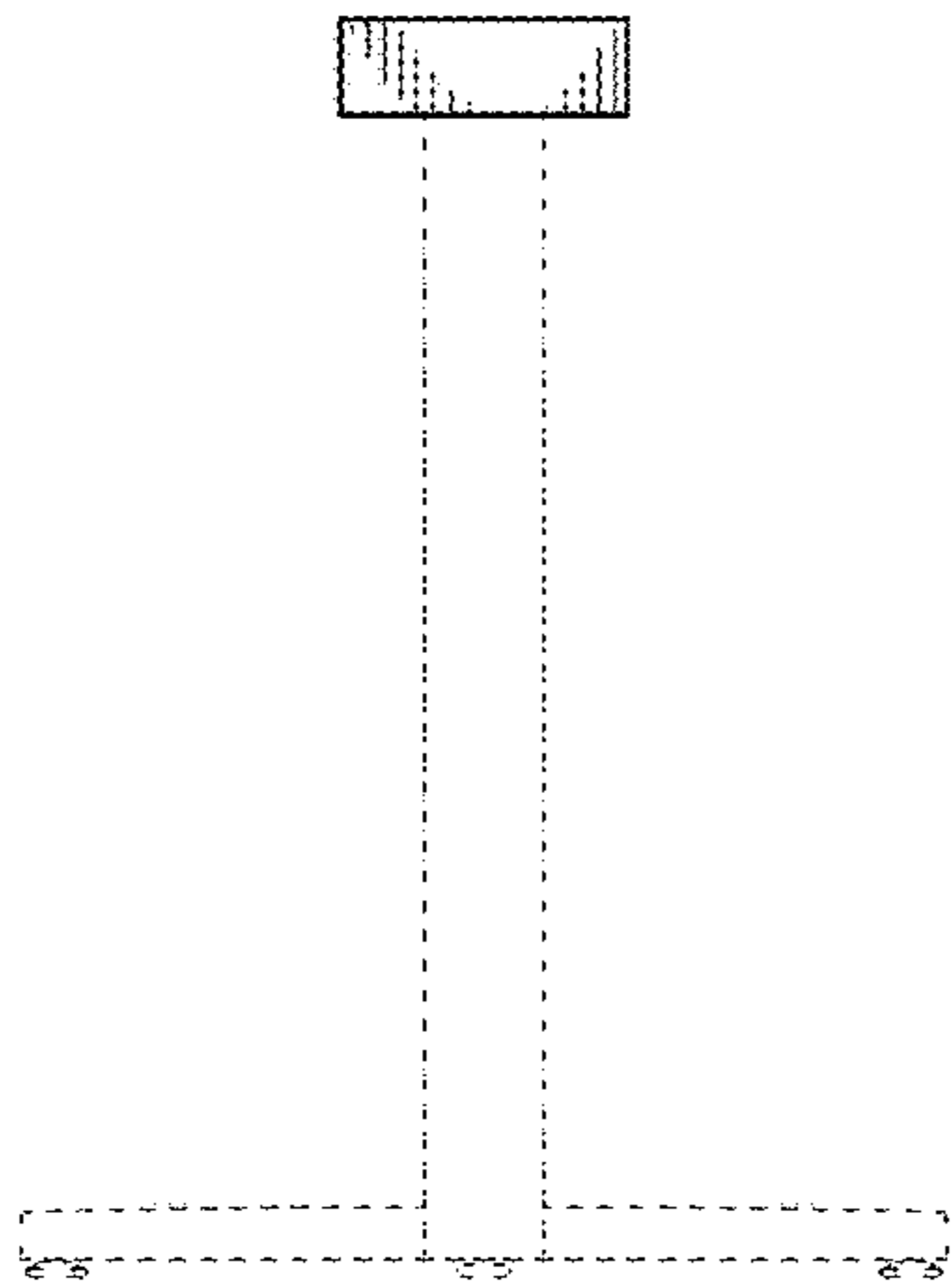


FIG. 4

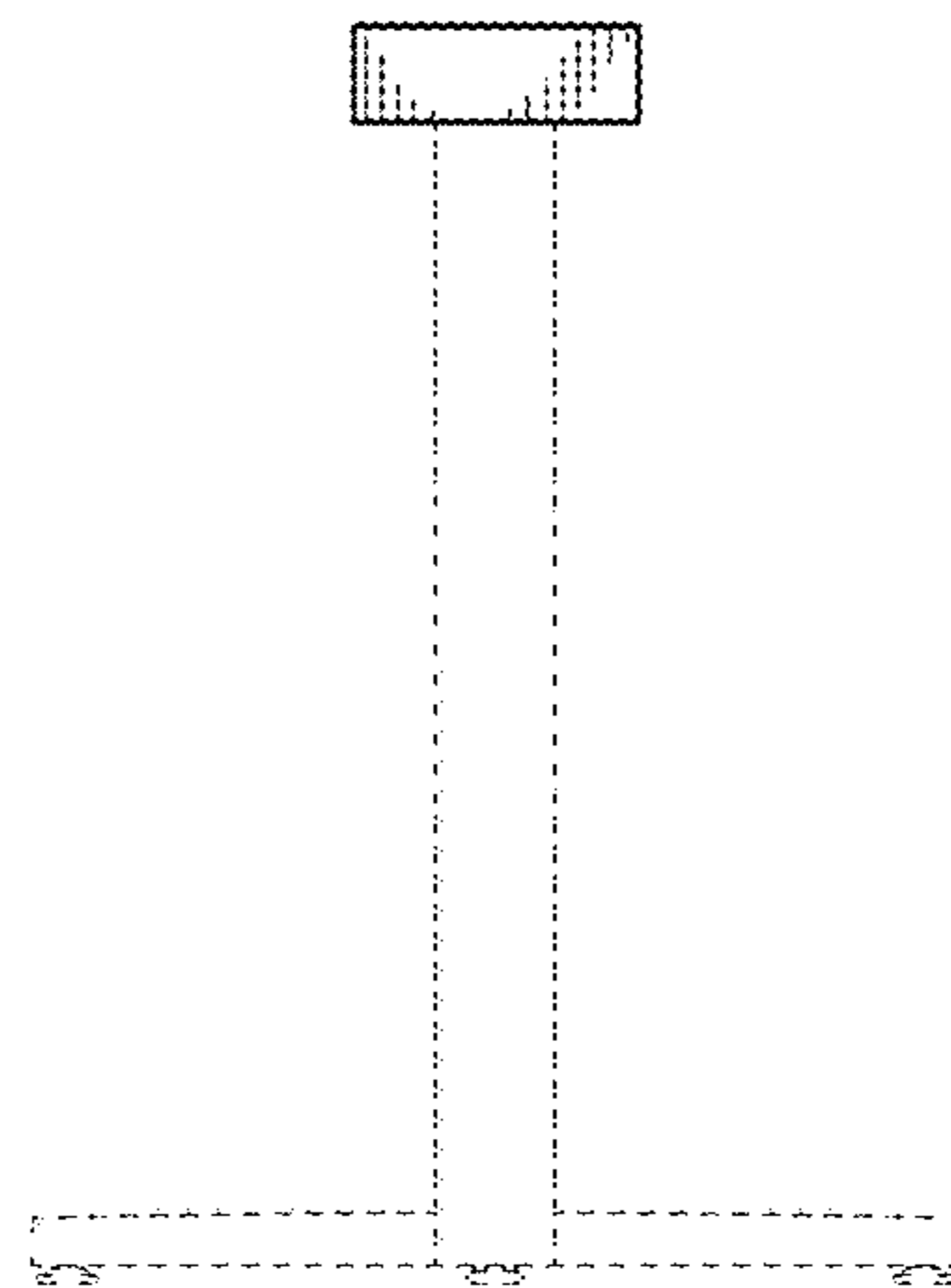


FIG. 5

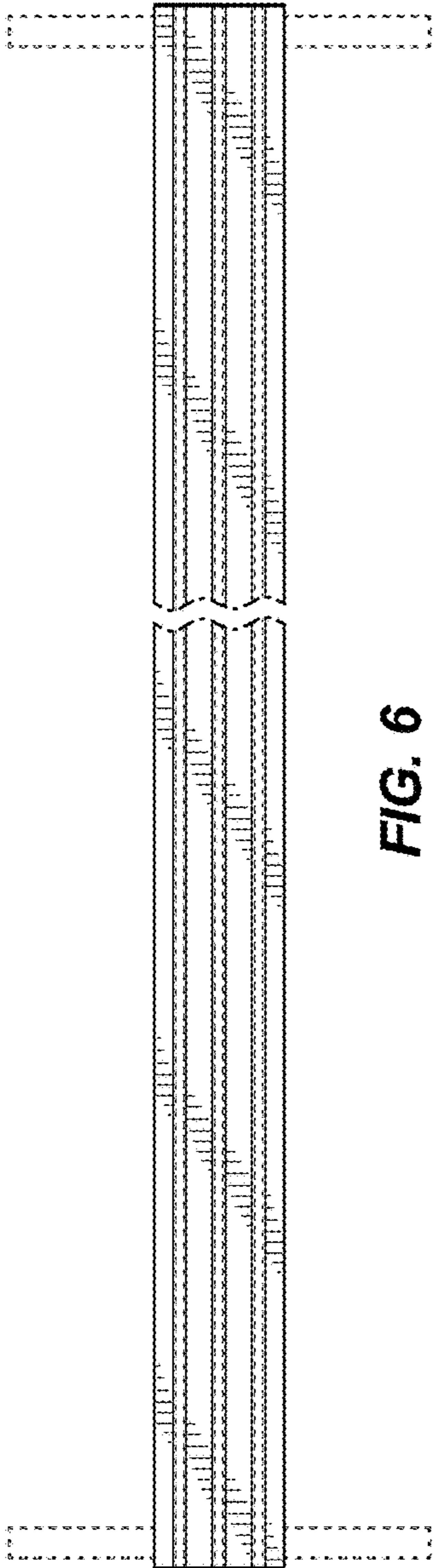


FIG. 6

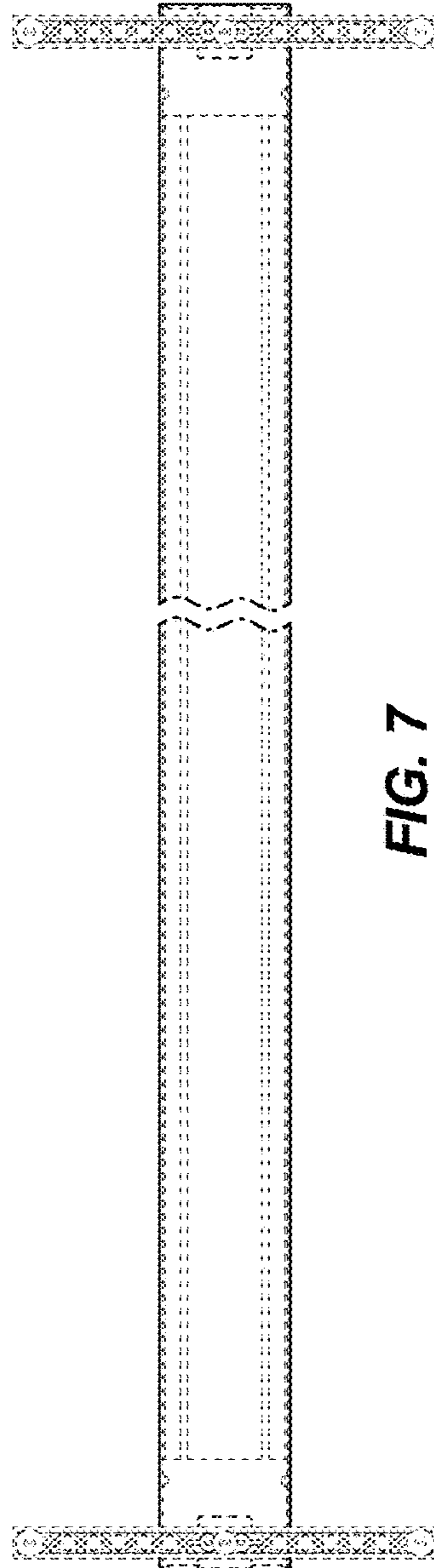


FIG. 7