



US00D868508S

(12) **United States Design Patent**
Sprong et al.

(10) **Patent No.:** **US D868,508 S**

(45) **Date of Patent:** **** Dec. 3, 2019**

- (54) **TOOL CABINET**
- (71) Applicant: **Harbor Freight Tools USA, Inc.**,
Calabasas, CA (US)
- (72) Inventors: **Jason White Sprong**, Moorpark, CA
(US); **William Thomas Sharp**,
Camarillo, CA (US); **David James
Knecht**, Westlake Village, CA (US);
Gwolih Chung, Foothill Ranch, CA
(US); **Eric Smidt**, Calabasas, CA (US)
- (73) Assignee: **Harbor Freight Tools USA, Inc.**,
Calabasas, CA (US)

(**) Term: **15 Years**

(21) Appl. No.: **29/668,251**

(22) Filed: **Oct. 29, 2018**

(51) **LOC (12) Cl.** **06-04**

(52) **U.S. Cl.**
USPC **D6/671**

(58) **Field of Classification Search**
USPC D6/657, 662, 663, 669, 671, 671.1, 672,
D6/675, 675.1
CPC A47B 46/00; A47B 47/00; A47B 47/022;
A47B 47/02; A47B 47/04; A47B 55/00;
A47B 67/00; A47B 67/02; A47B 67/04
See application file for complete search history.

(56) **References Cited**

U.S. PATENT DOCUMENTS

- 5,611,553 A * 3/1997 Schoeman A47B 46/00
280/47.35
- 5,803,561 A * 9/1998 Puehlhorn F16B 12/125
312/263

- 8,157,337 B2 * 4/2012 Manalang B25H 3/06
312/249.8
- D672,575 S * 12/2012 Christopher D6/671.1
- D775,866 S * 1/2017 Ben Avi D6/657
- D832,626 S * 11/2018 Chiao D6/671.1
- D848,766 S * 5/2019 Chen D6/657
- 10,316,584 B1 * 6/2019 Cooper E06C 1/005
- 2016/0128471 A1 * 5/2016 Chang B25H 3/028
312/249.11

FOREIGN PATENT DOCUMENTS

- FR 1363391 A * 6/1964 A47B 43/00
- GB 345813 A * 4/1931 G11B 33/06
- GB 431840 A * 7/1935 A47B 77/10

* cited by examiner

Primary Examiner — R. Johnson

(74) *Attorney, Agent, or Firm* — McAndrews Held &
Malloy, Ltd.

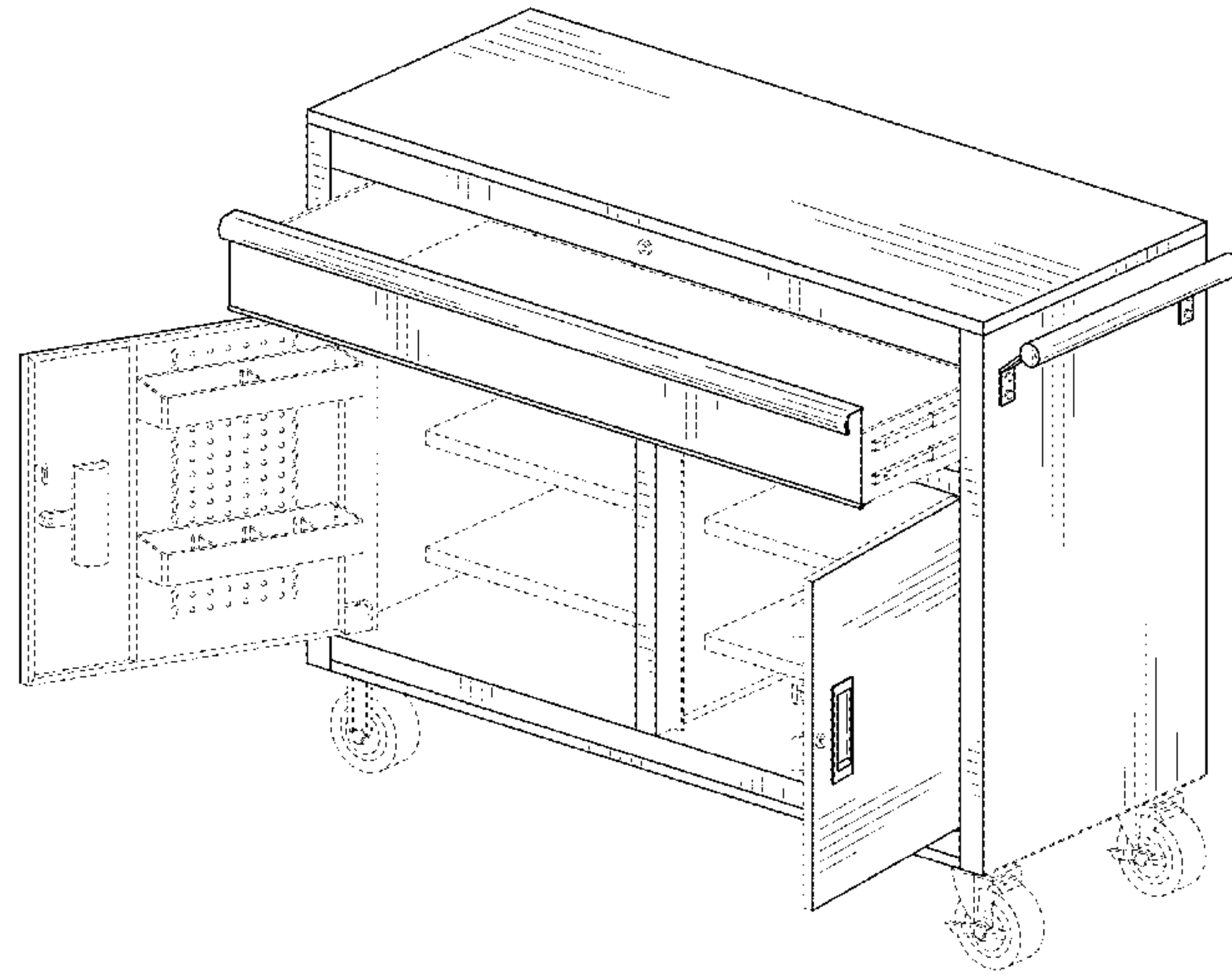
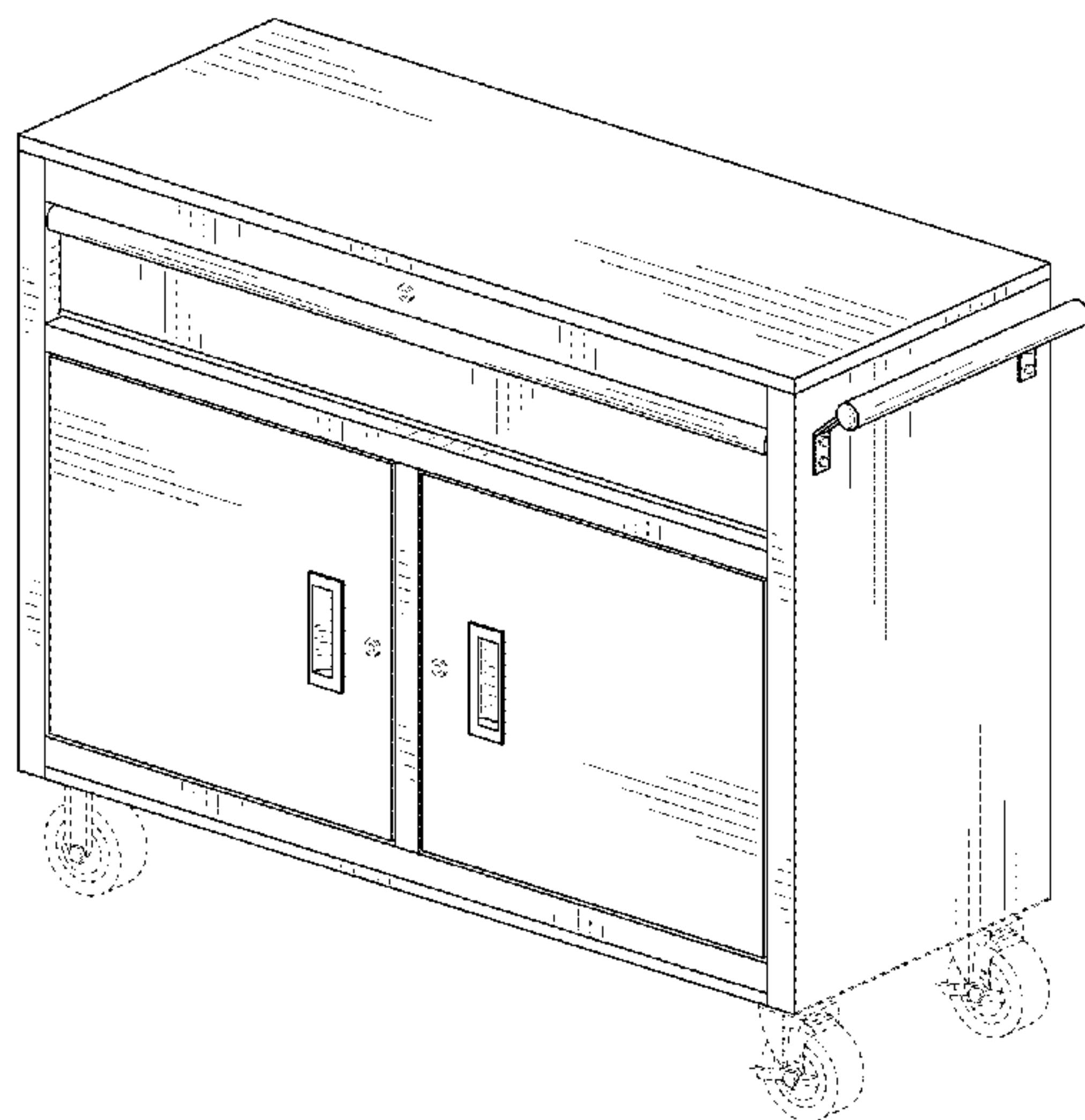
(57) **CLAIM**

The ornamental design for a tool cabinet, as shown and described.

DESCRIPTION

FIG. 1 is a top-front perspective view of a tool cabinet showing our new design;
 FIG. 2 is a front elevation view thereof;
 FIG. 3 is a rear elevation thereof;
 FIG. 4 is a right side elevation view thereof;
 FIG. 5 is a left side elevation view thereof;
 FIG. 6 is a top plan view thereof;
 FIG. 7 is a bottom plan view thereof; and,
 FIG. 8 is another top-front perspective view thereof showing the tool cabinet in an opened configuration.
 The dashed broken lines in the figures illustrate portions of the tool cabinet that form no part of the claimed design.

1 Claim, 8 Drawing Sheets



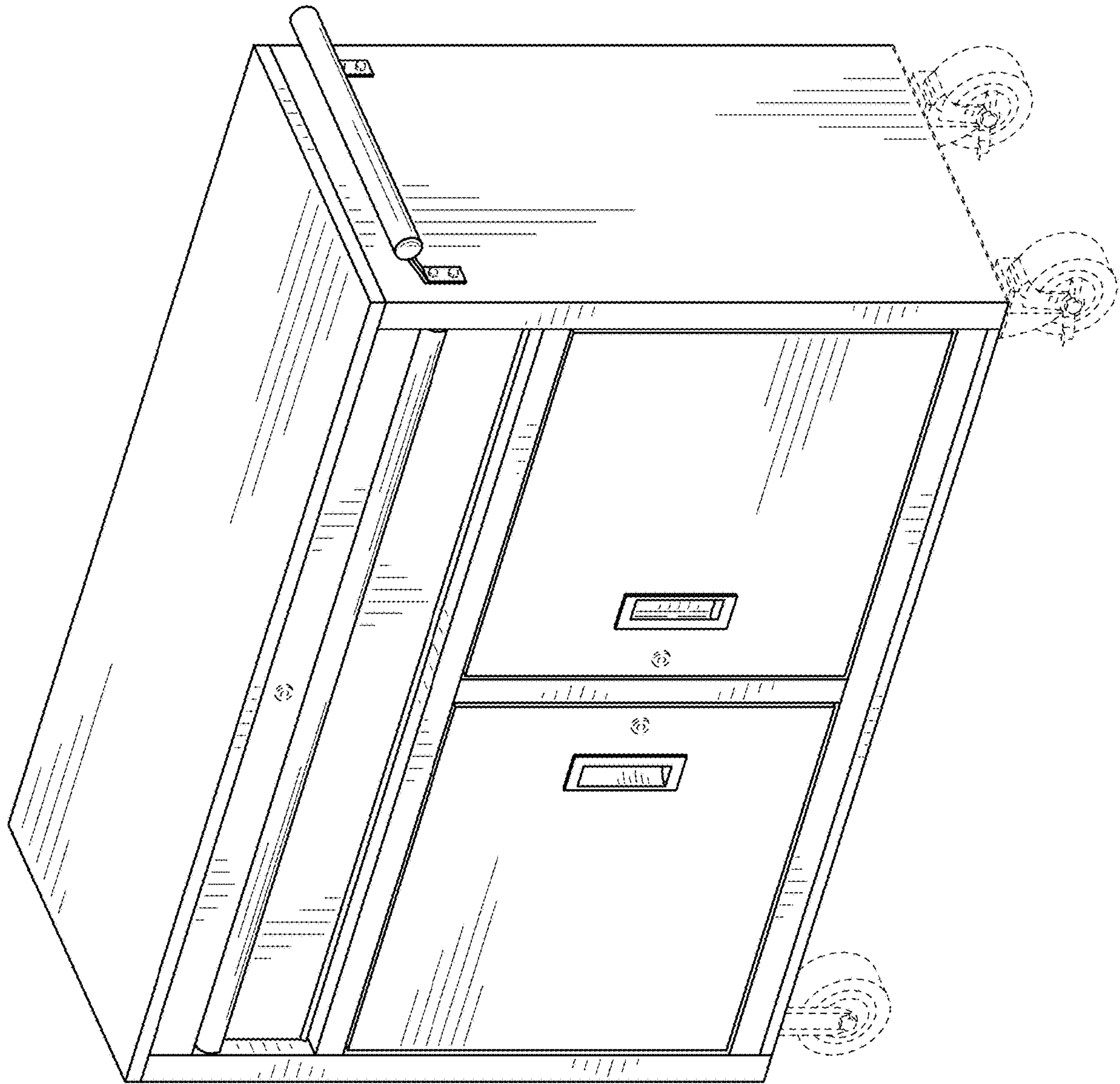


FIG. 1



FIG. 2

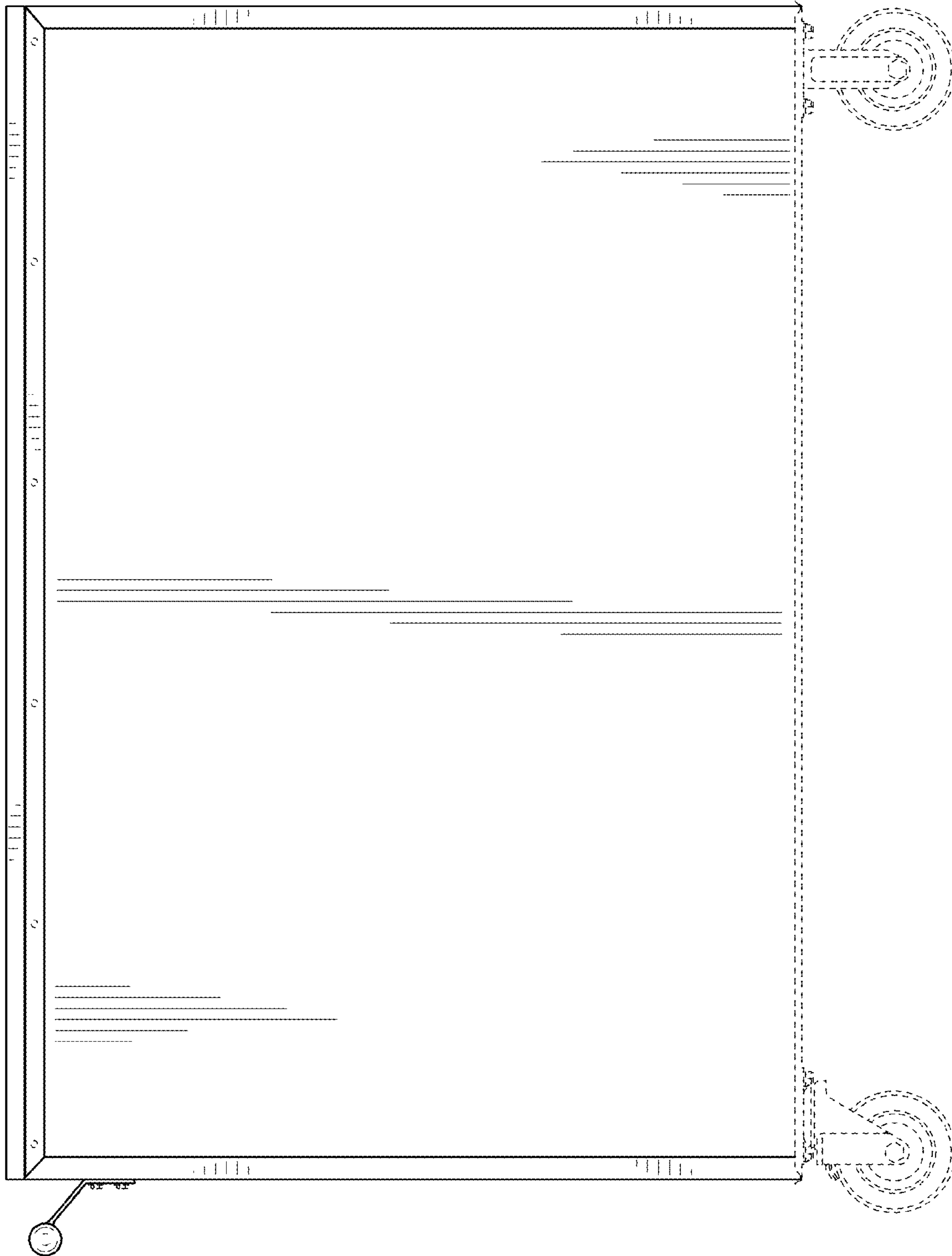


FIG. 3

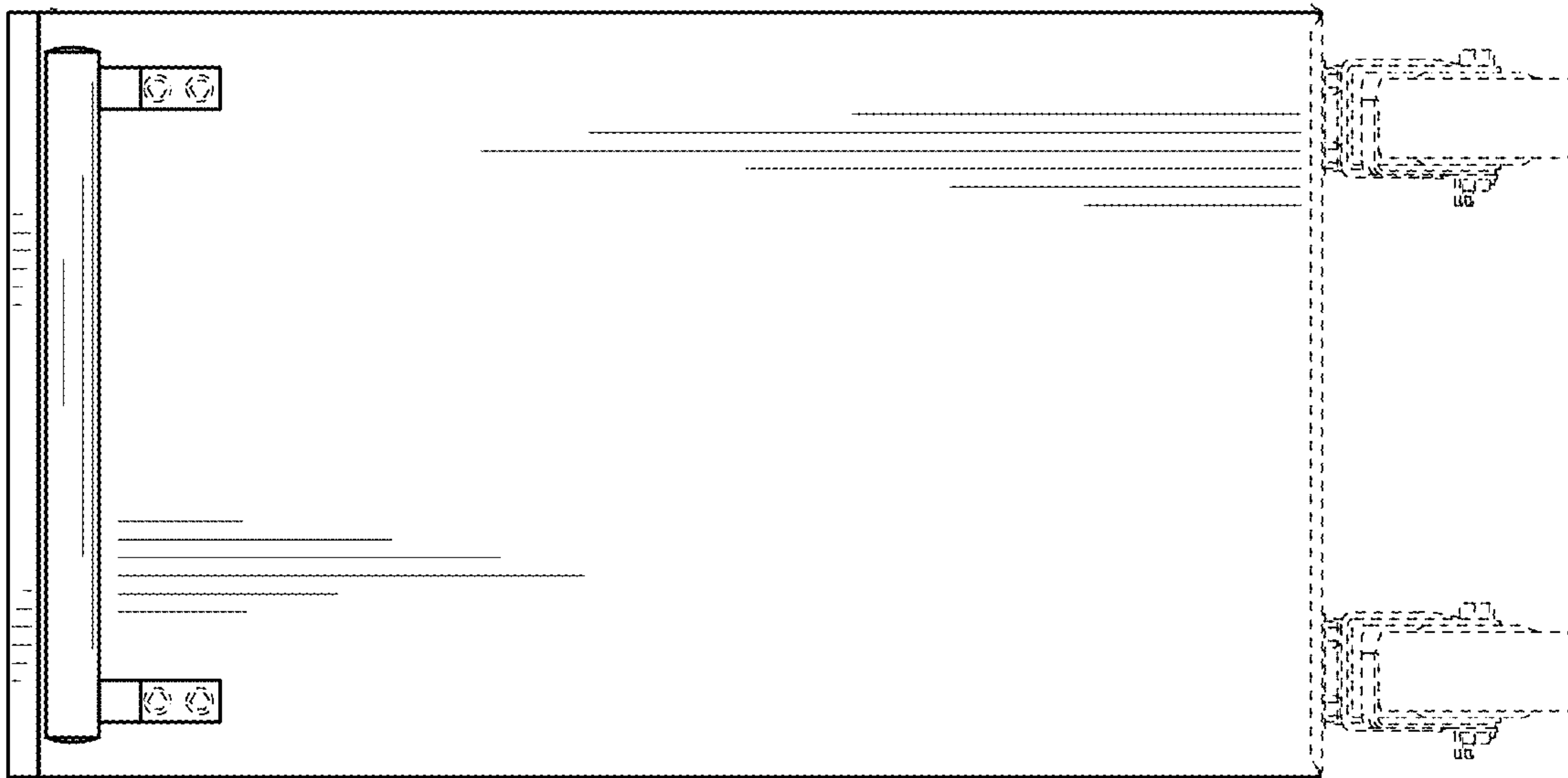


FIG. 4

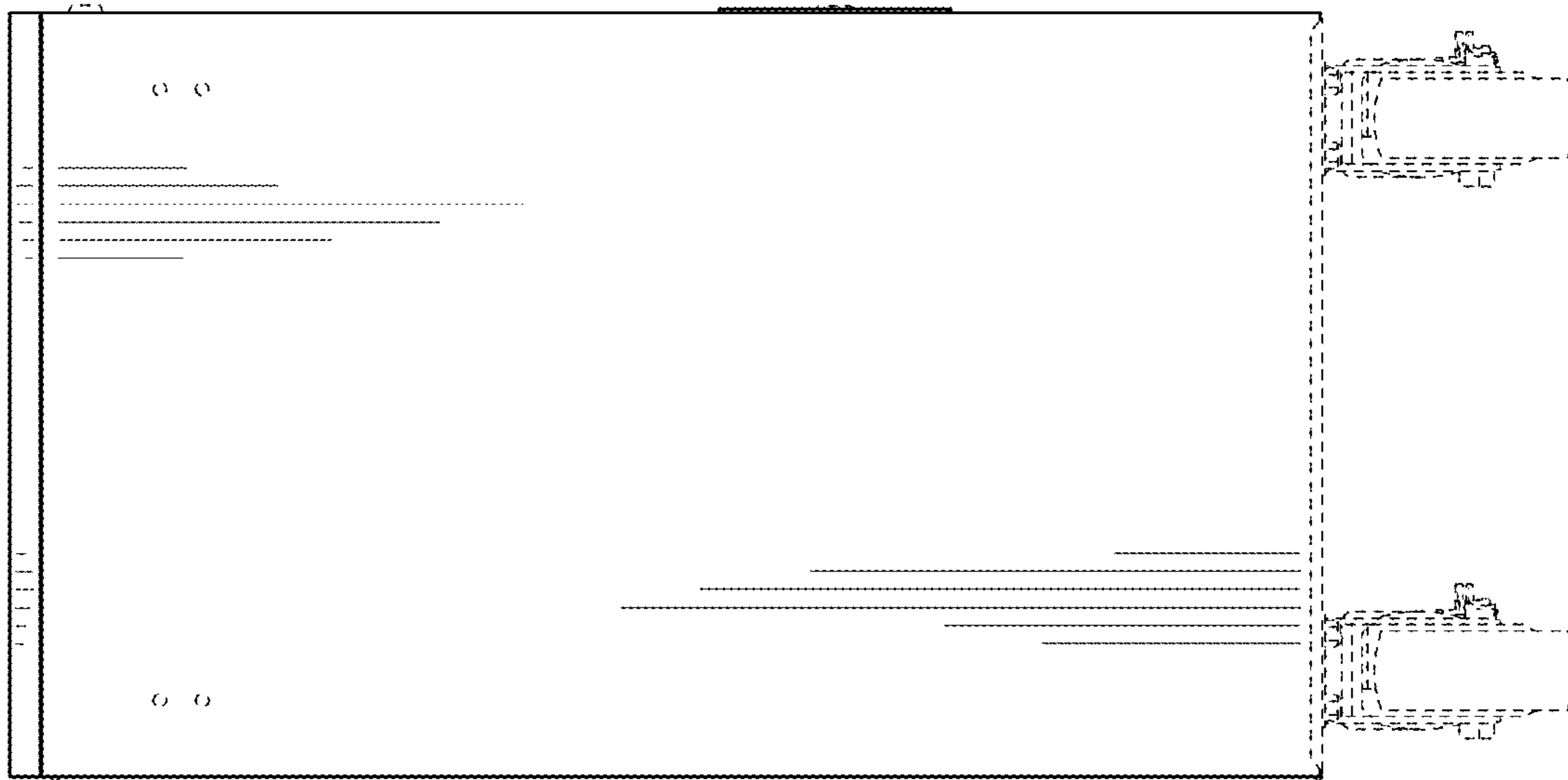


FIG. 5

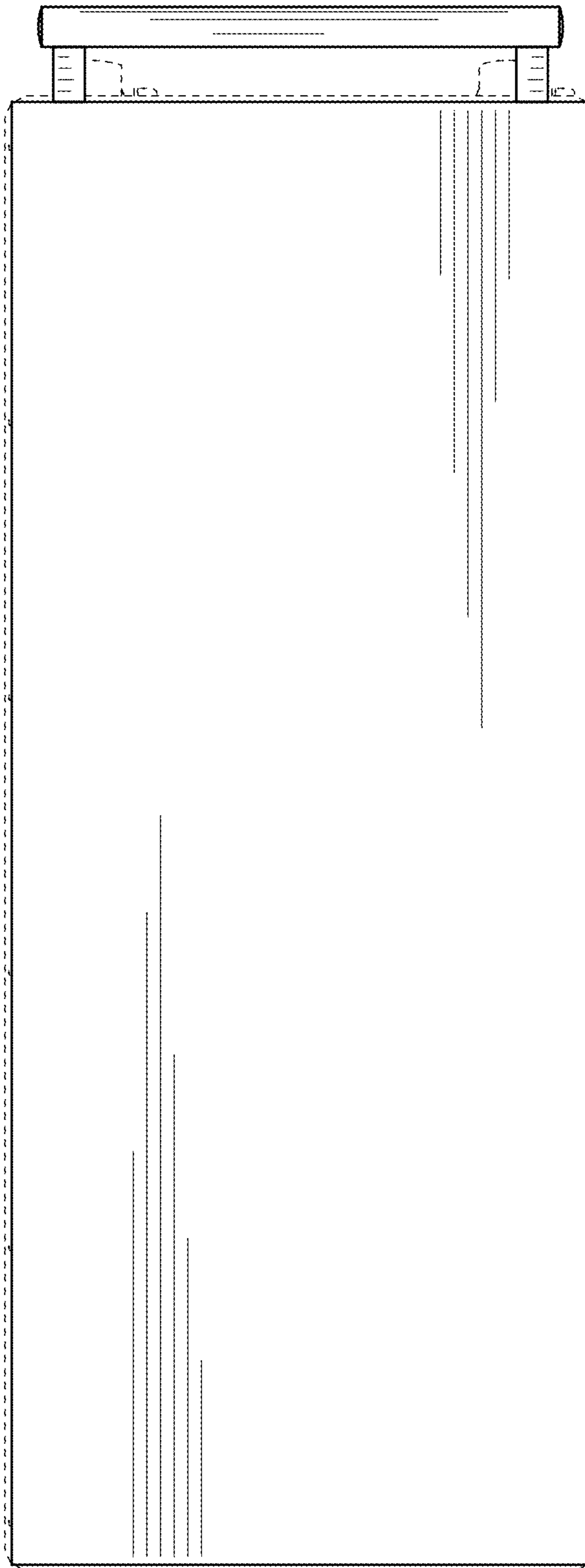


FIG. 6

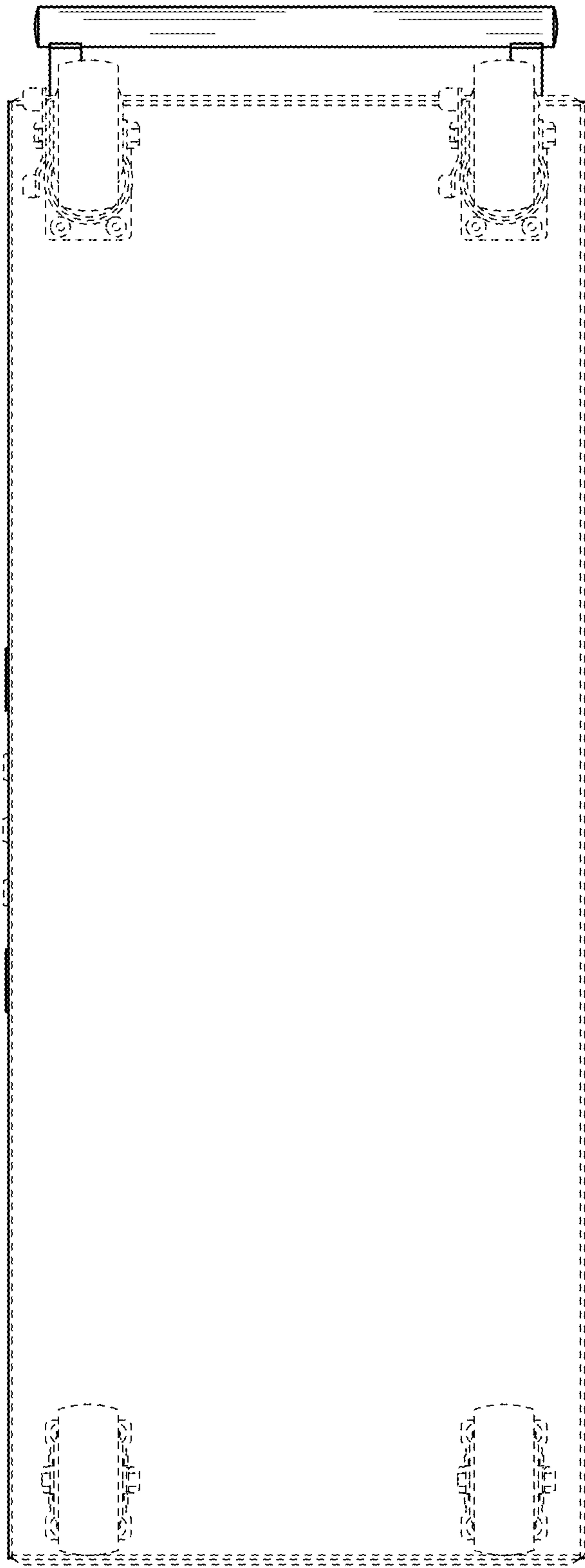


FIG. 7

