



US00D868504S

(12) **United States Design Patent**
Lowrey et al.

(10) **Patent No.:** **US D868,504 S**
(45) **Date of Patent:** **** Dec. 3, 2019**

(54) **WORKSTATION**
(71) Applicant: **ELKUS MANFREDI ARCHITECTS,**
Boston, MA (US)

(72) Inventors: **Elizabeth O. Lowrey,** Boston, MA
(US); **Jane Zimmerman,** Boston, MA
(US)

(73) Assignee: **Elkus Manfredi Architects,** Boston,
MA (US)

(**) Term: **15 Years**

(21) Appl. No.: **29/648,396**

(22) Filed: **May 21, 2018**

(51) **LOC (12) Cl.** **06-03**

(52) **U.S. Cl.**
USPC **D6/643**

(58) **Field of Classification Search**
USPC D6/640, 641, 642, 643, 643.1, 644, 645,
D6/647, 648, 649, 650, 652, 652.1, 652.2,
D6/653, 653.1, 656.16, 656.17, 700,
D6/708.24
CPC . A47F 3/00; A47F 3/142; A47B 57/00; A47B
57/30; A47B 57/40; A47B 87/00; E04B
2/744; E04B 2/7407; E04B 2/7416; E04B
2002/7483

See application file for complete search history.

(56) **References Cited**

U.S. PATENT DOCUMENTS

D225,871 S *	1/1973	Crannel	D6/643
D394,963 S *	6/1998	Gongora	D6/643
D401,775 S *	12/1998	Alexander	D6/650
D405,981 S *	2/1999	Alexander	D6/648.2
D481,886 S *	11/2003	Fahnstrom	D6/643
7,111,943 B2 *	9/2006	Agostinelli	G03B 21/56 353/79

D621,329 S *	8/2010	Bock	D12/345
D621,330 S *	8/2010	Bock	D12/345
D650,778 S *	12/2011	Suzuki	D14/306

(Continued)

OTHER PUBLICATIONS

Harbor Stone System, posted at Architectnmagazine.com, posted on May 13, 2019, site visited Jul. 30, 2019. online, available from internet: https://www.architectnmagazine.com/technology/products/aia-2019-show-preview-and-more_o (Year: 2019).*

Primary Examiner — Mary Ann Calabrese

Assistant Examiner — Catherine Ho

(74) *Attorney, Agent, or Firm* — Burns & Levinson, LLP;
Paul D. Sorkin

(57) **CLAIM**

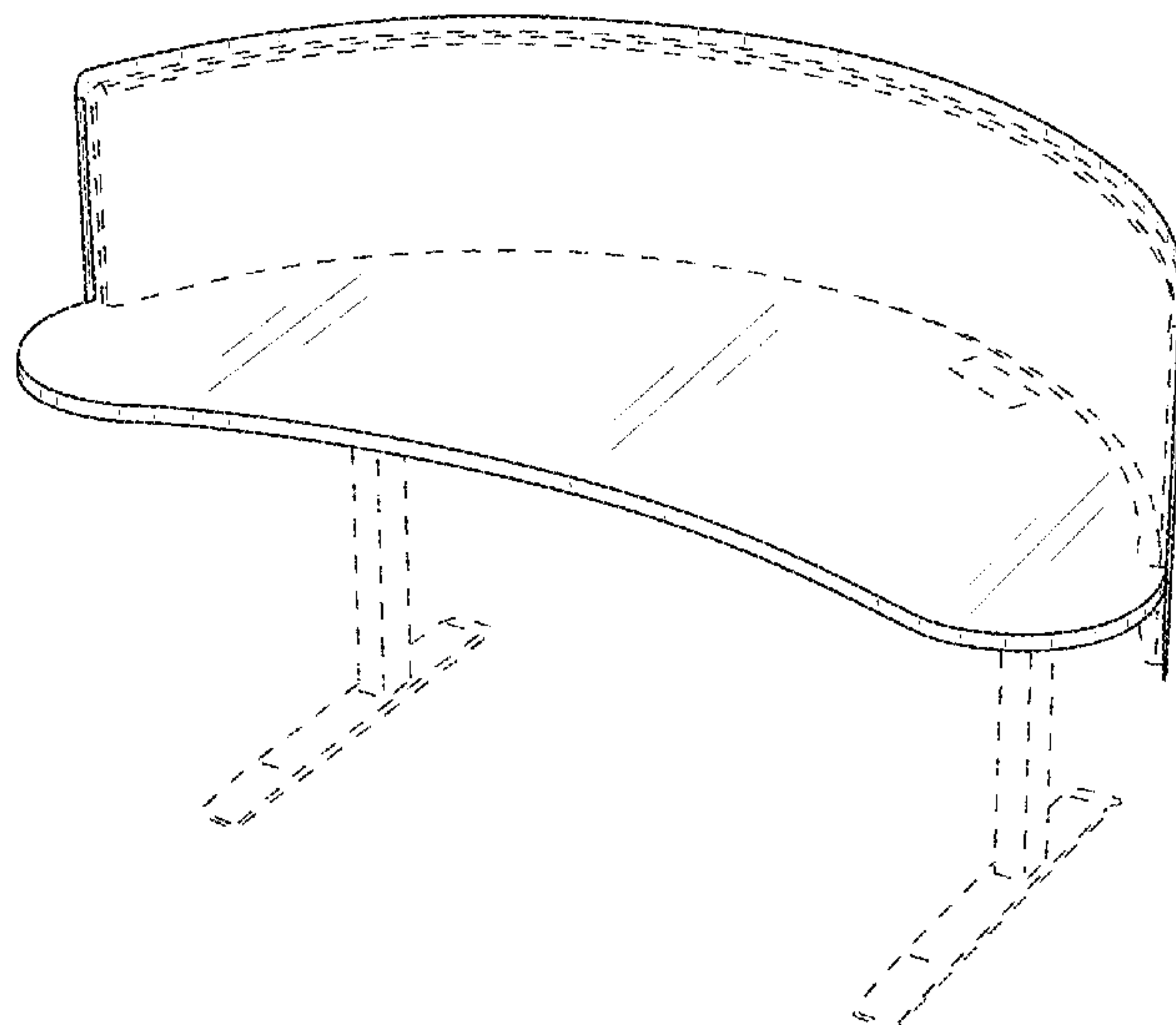
The ornamental design for a workstation, as shown and described.

DESCRIPTION

FIG. 1 is a right top front perspective view of a workstation showing our new design;
FIG. 2 is another top-front perspective view of the workstation;
FIG. 3 is a bottom-front perspective view of the workstation;
FIG. 4 is a front view of the workstation;
FIG. 5 is a right side view of the workstation;
FIG. 6 is a top view of the workstation;
FIG. 7 is a bottom view of the workstation;
FIG. 8 is a cross sectional view taken from the direction of section 8-8 of FIG. 4;
FIG. 9 is an enlarged detailed view of encircled area 9 in FIG. 6; and,
FIG. 10 is a left top front perspective view of the workstation.

The broken lines in the FIGURES depict portions of the workstation that form no part of the claimed design. The unshaded surfaces bounded by the broken lines form no part of the claimed design.

1 Claim, 7 Drawing Sheets



(56)

References Cited

U.S. PATENT DOCUMENTS

D789,711 S *	6/2017	Holbrook	D6/643
D792,130 S *	7/2017	Poranen	D6/643
D793,751 S *	8/2017	Kitajima	D6/332
2006/0283098 A1 *	12/2006	Golino	A47B 87/00 52/36.1

* cited by examiner

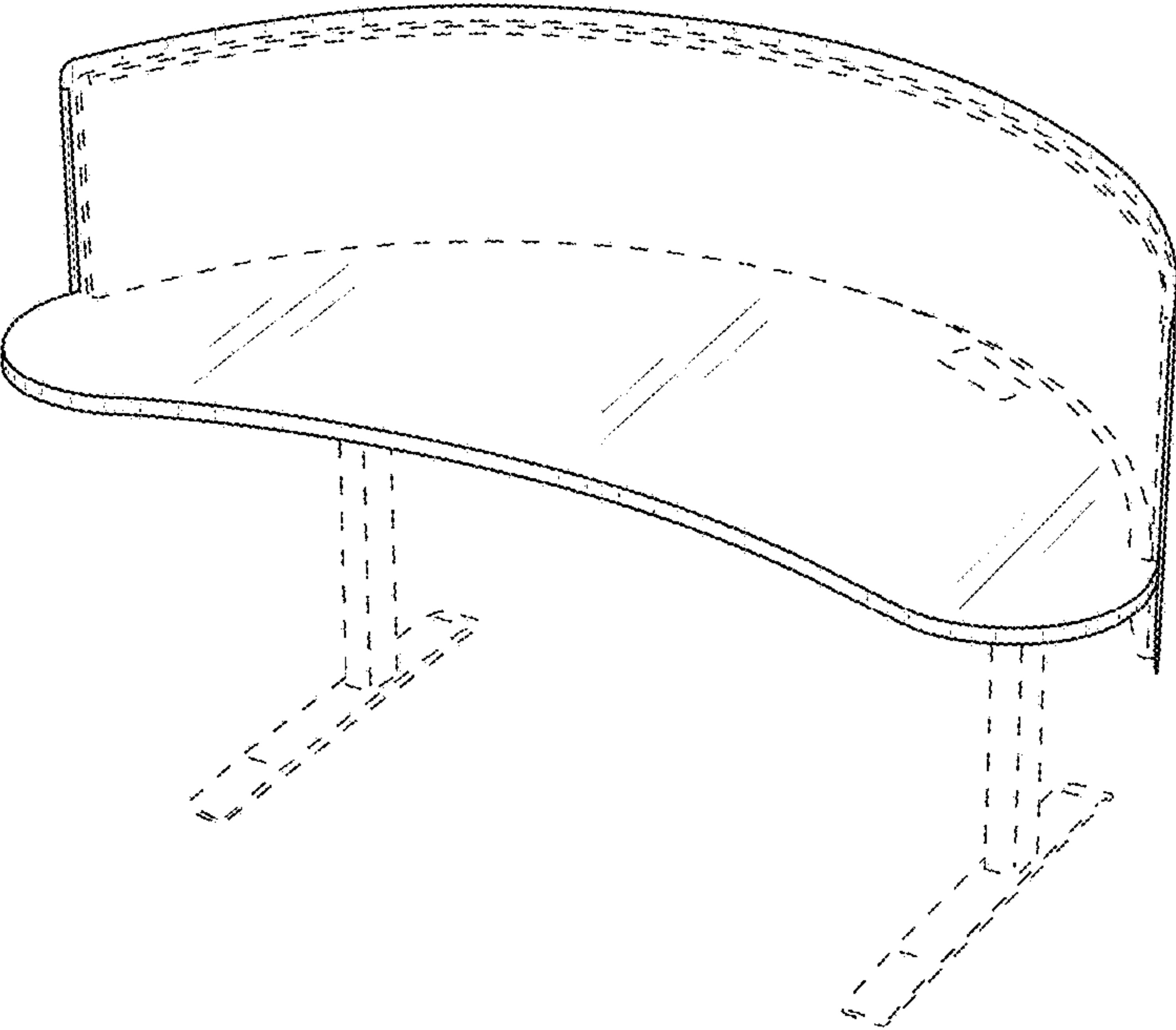


FIG. 1

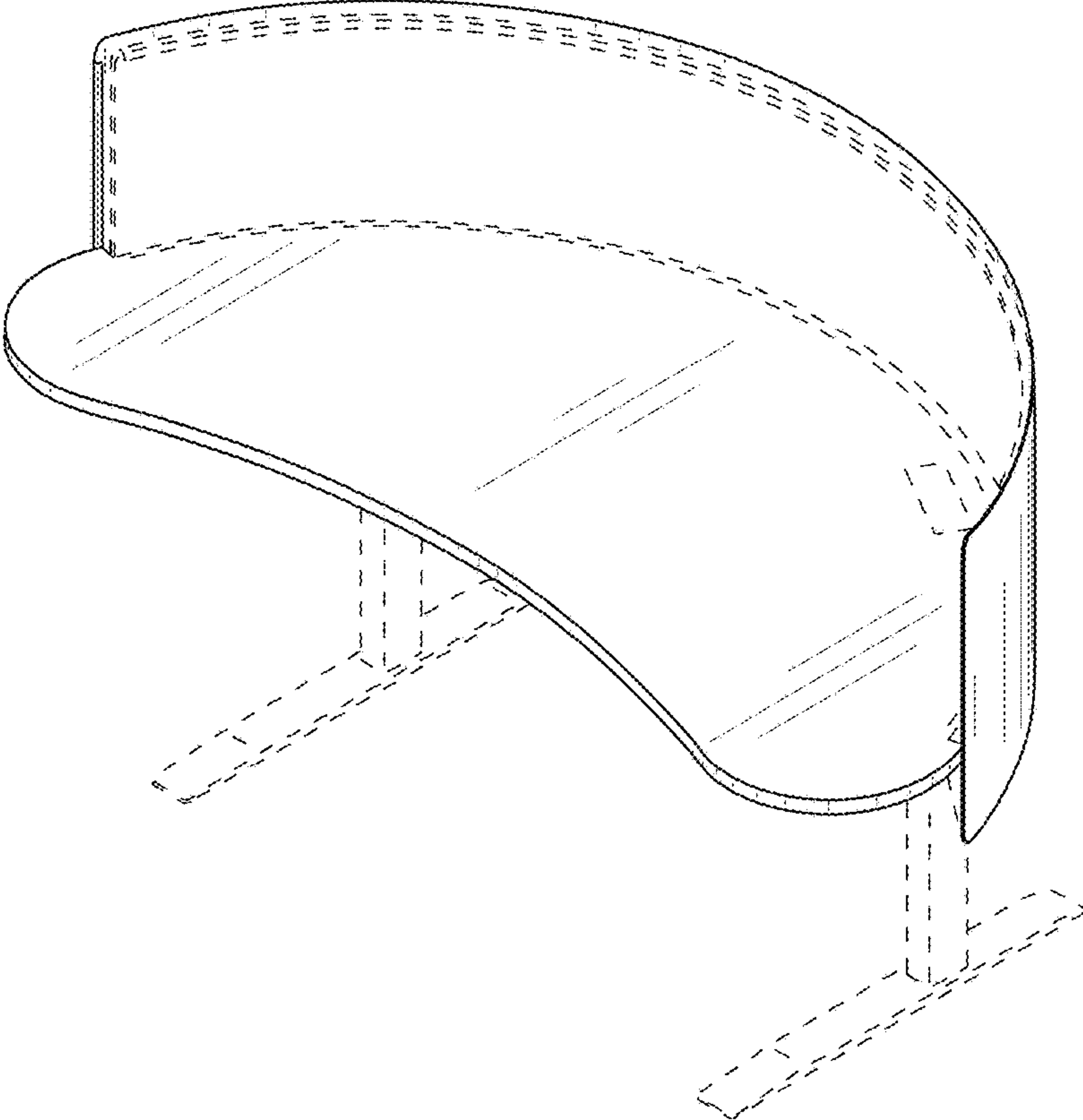


FIG. 2

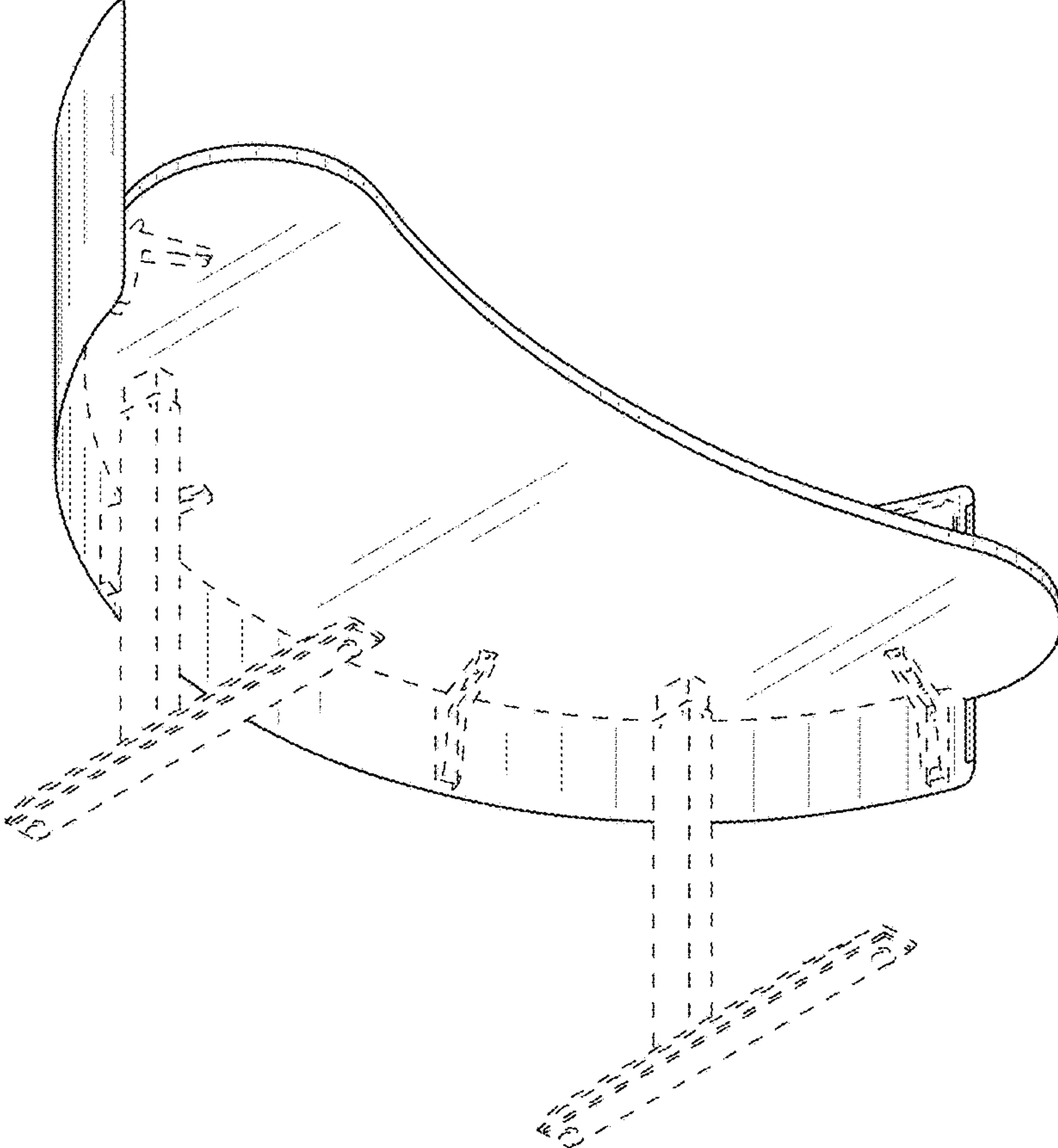


FIG. 3

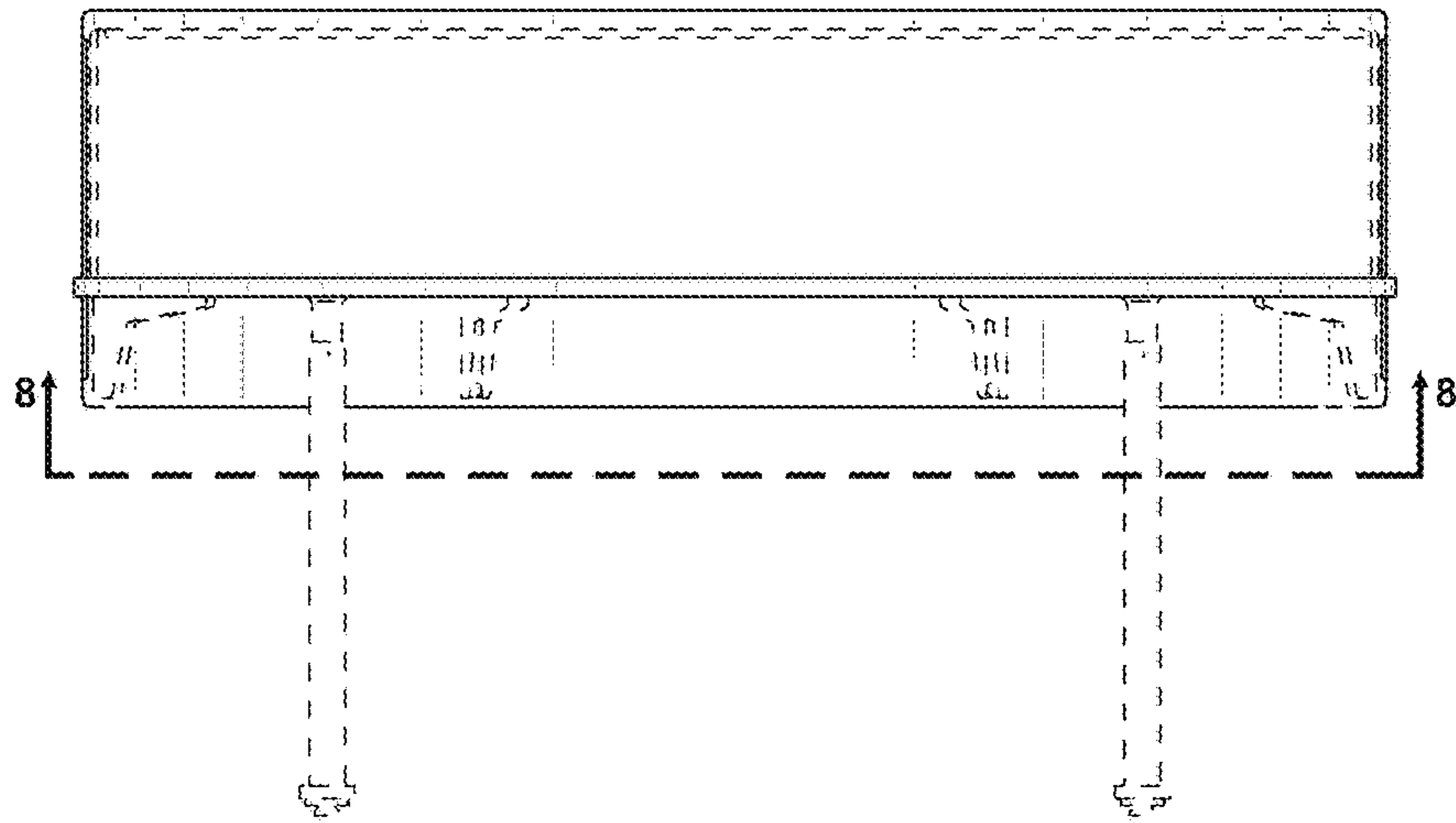


FIG. 4

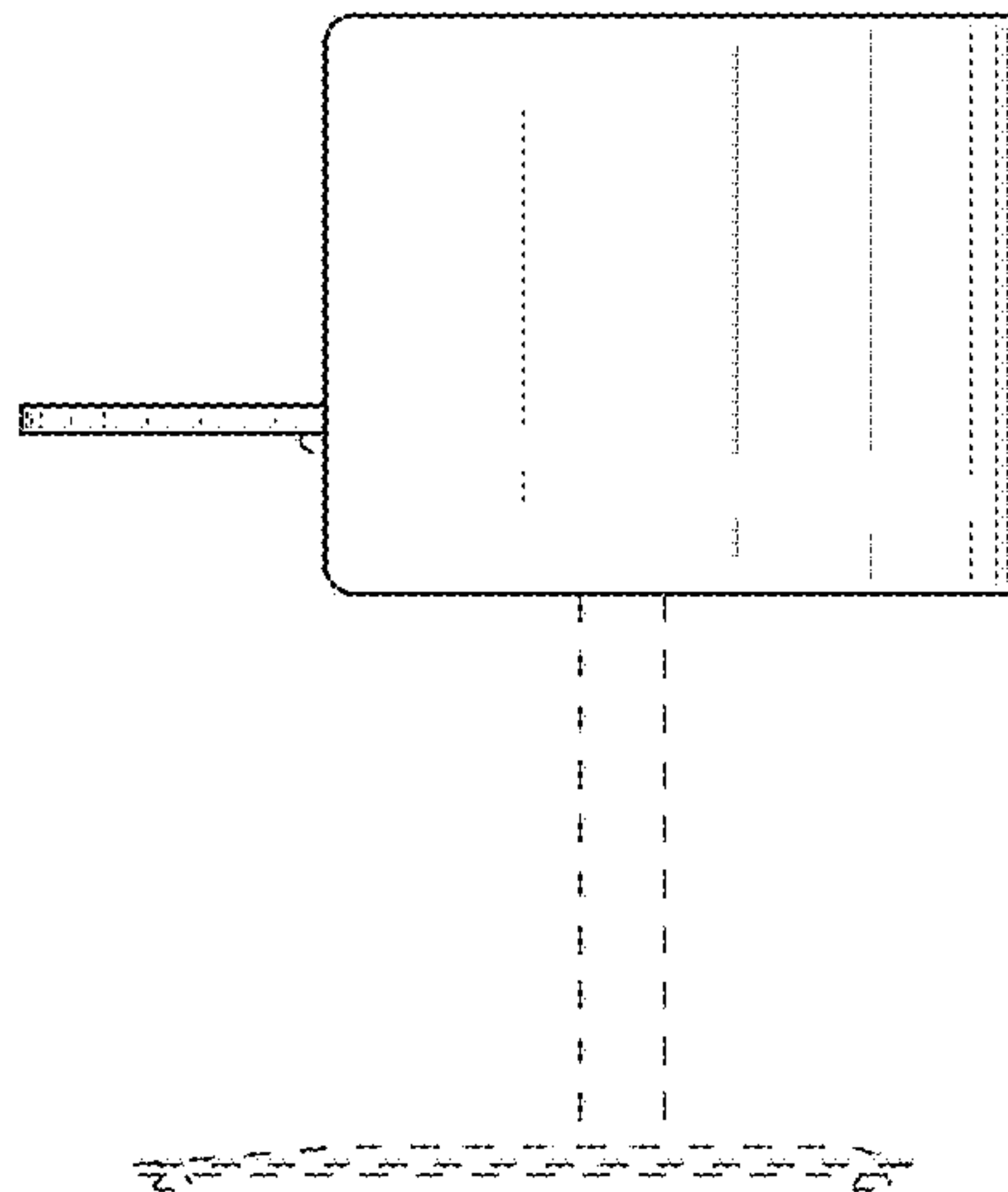


FIG. 5

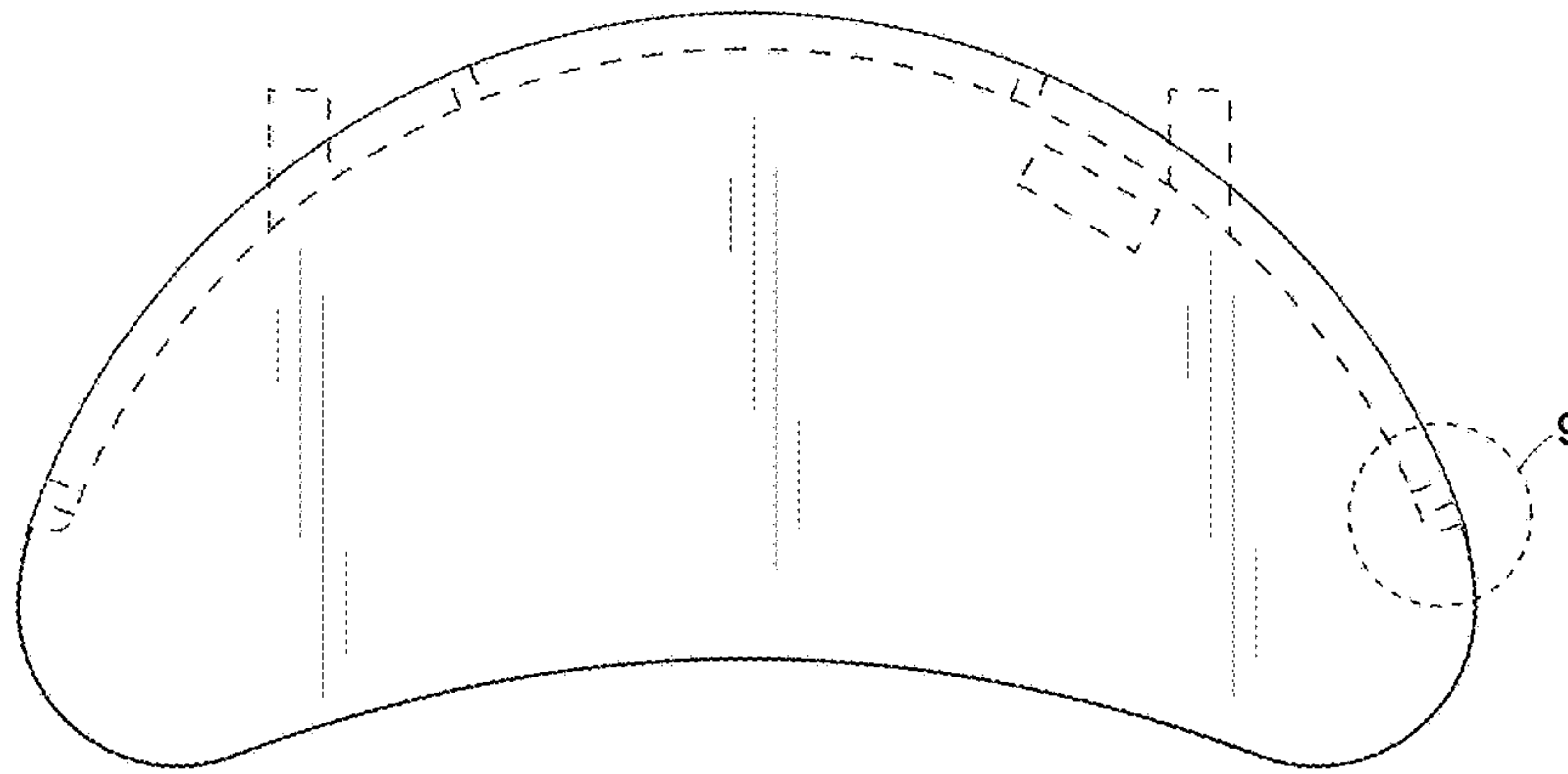


FIG. 6

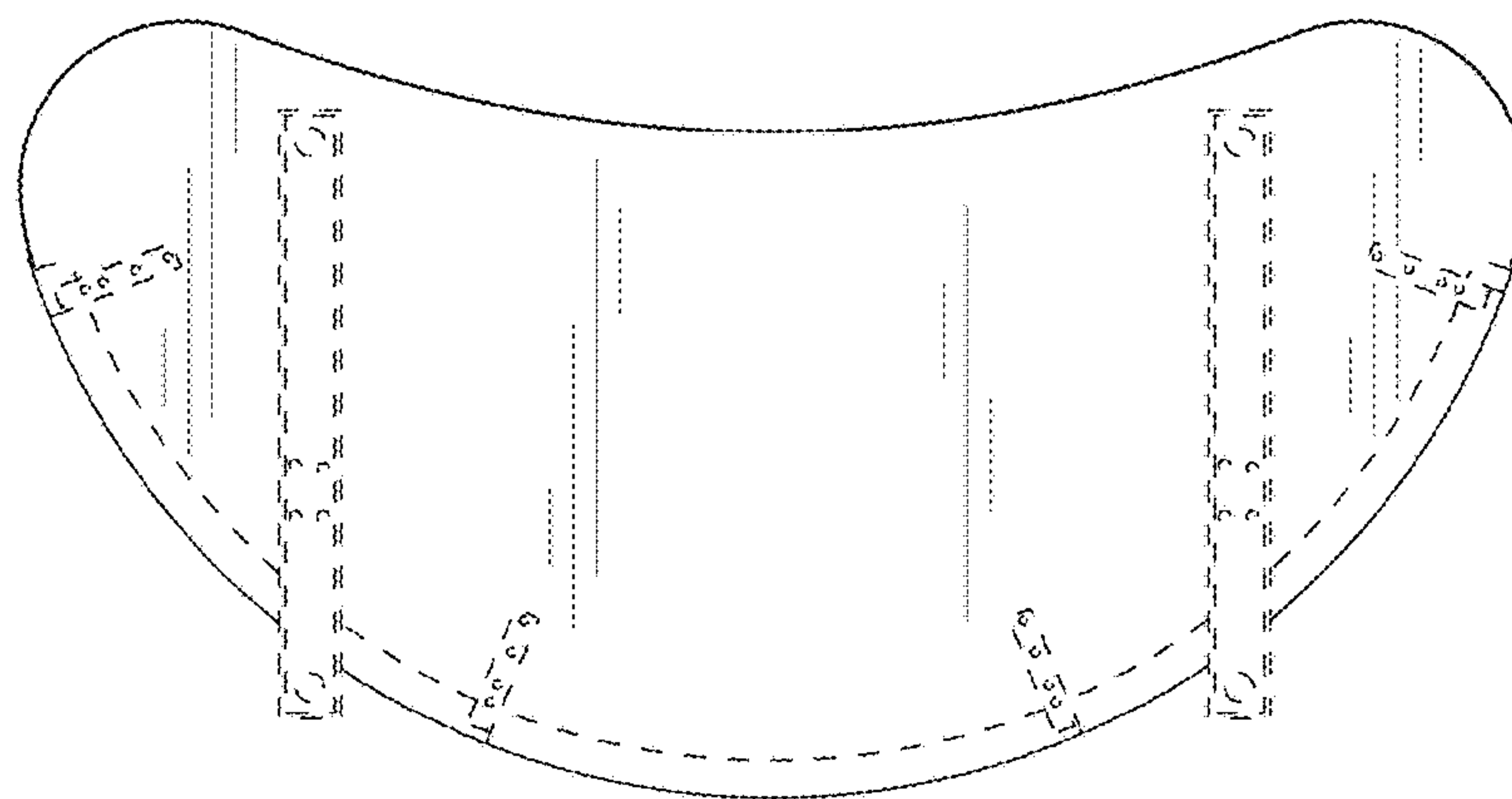


FIG. 7

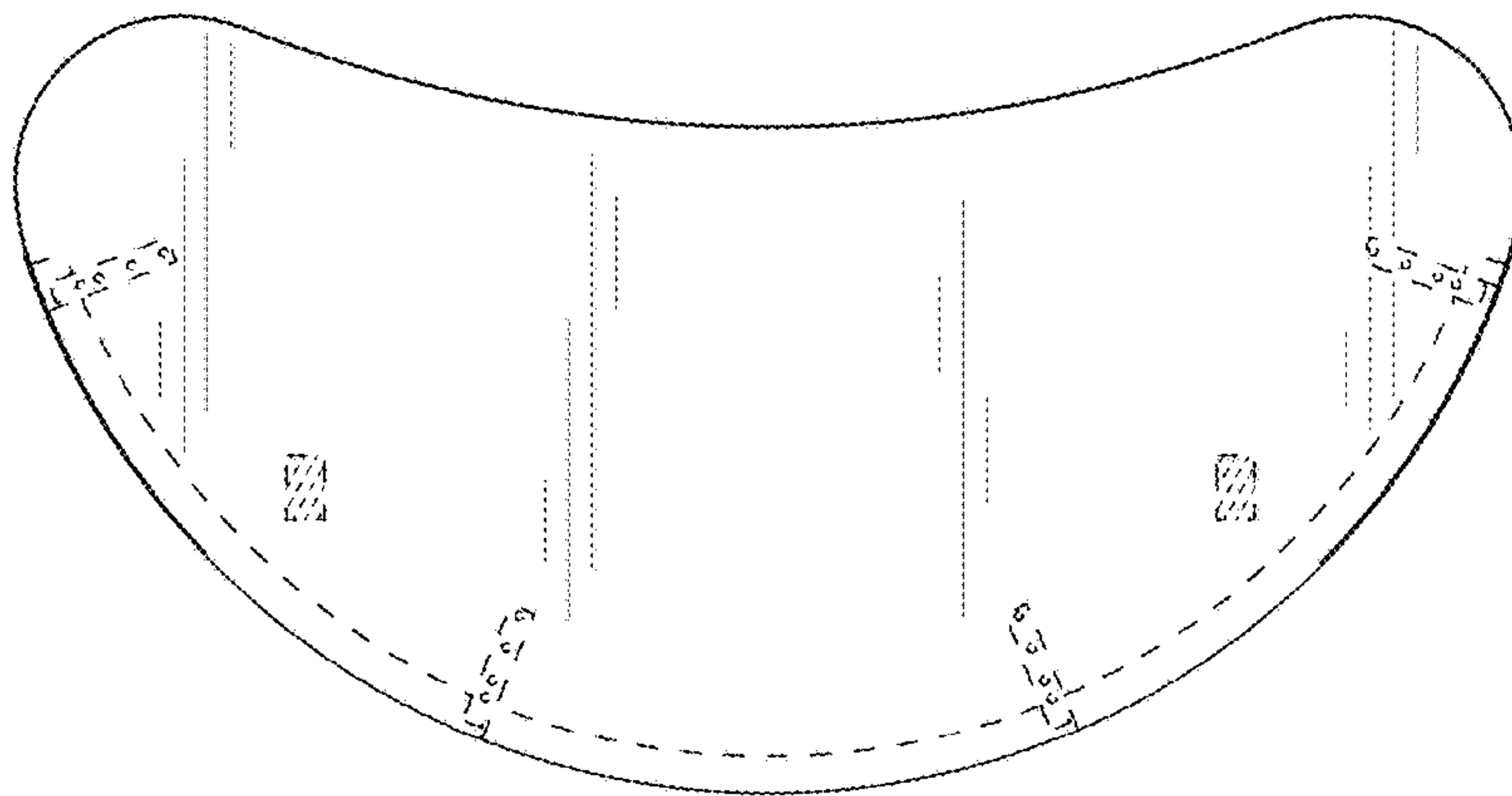


FIG. 8

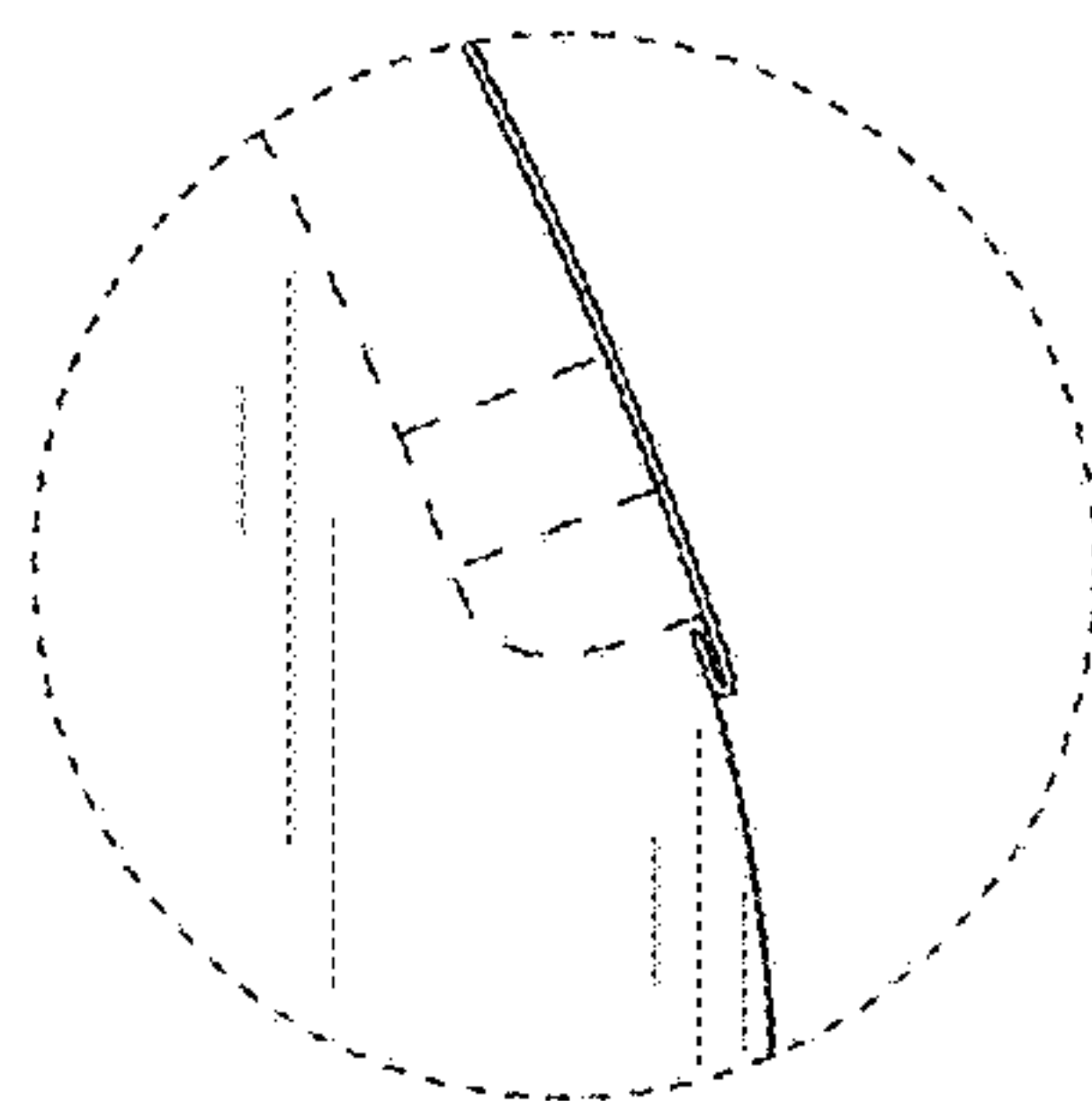


FIG. 9

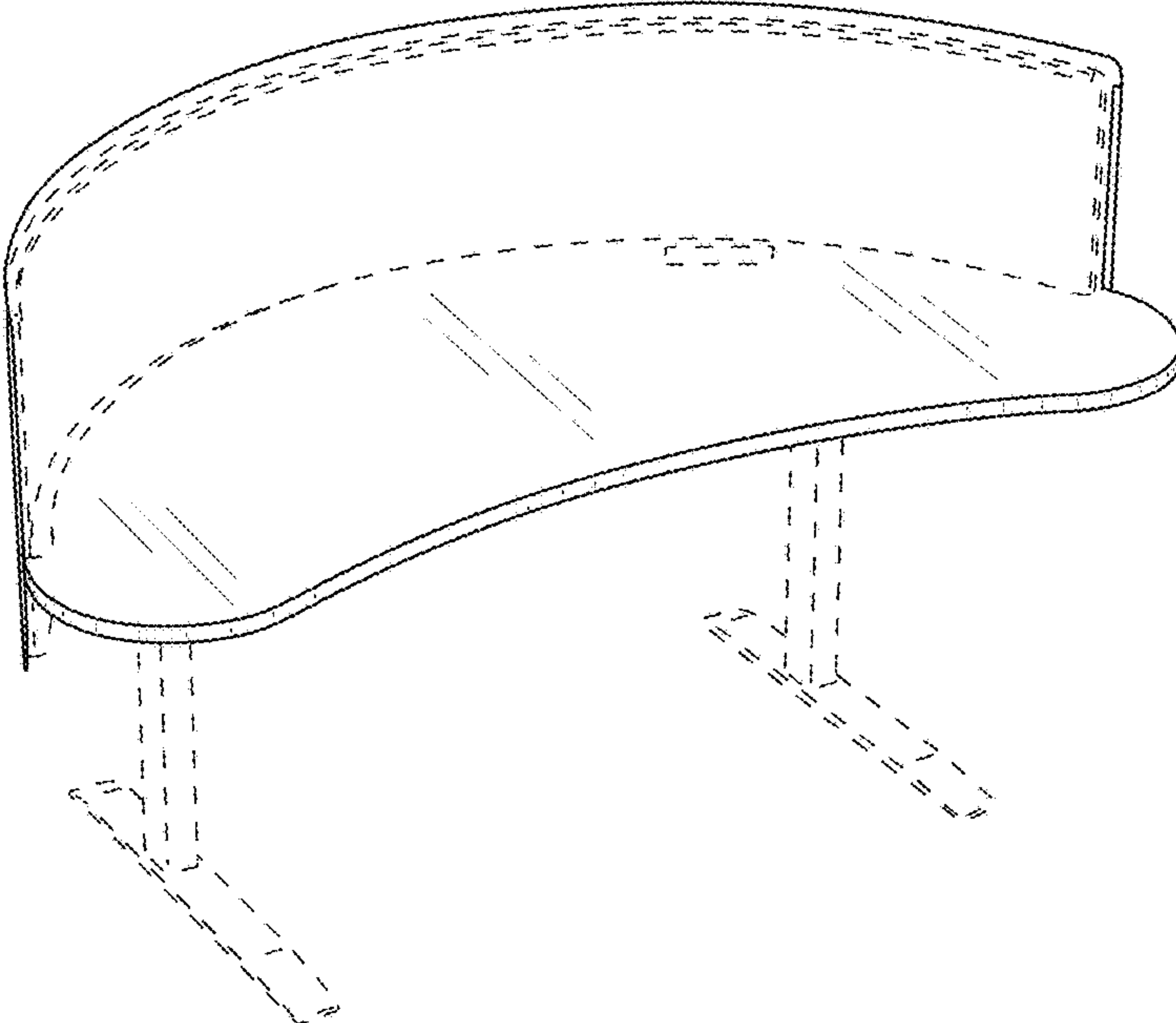


FIG. 10

UNITED STATES PATENT AND TRADEMARK OFFICE
CERTIFICATE OF CORRECTION

PATENT NO. : D868,504 S
APPLICATION NO. : 29/648396
DATED : December 3, 2019
INVENTOR(S) : Elizabeth O. Lowrey and Jane Zimmerman

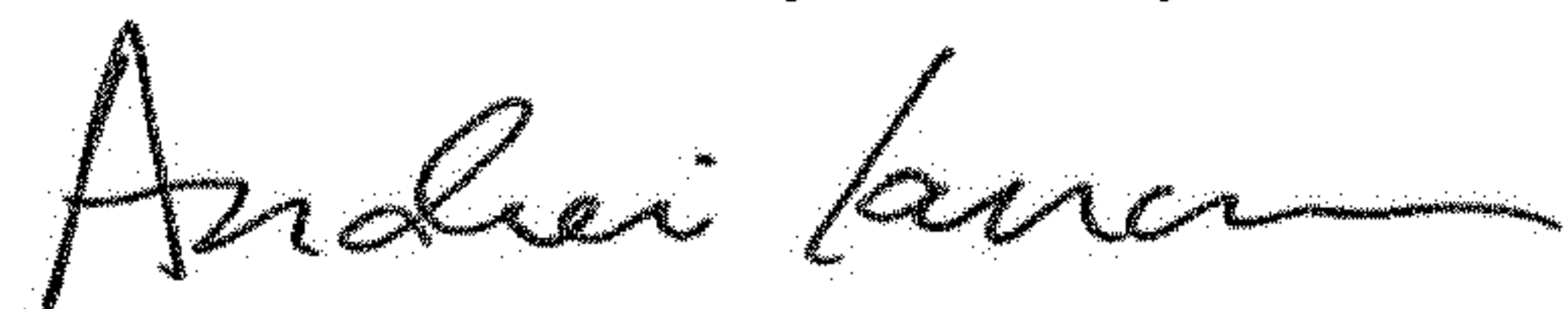
Page 1 of 1

It is certified that error appears in the above-identified patent and that said Letters Patent is hereby corrected as shown below:

On the Title Page

Item [72], Inventors, please add "Linda MacLeod Fannon, Plymouth, MA (US)"

Signed and Sealed this
Nineteenth Day of May, 2020



Andrei Iancu
Director of the United States Patent and Trademark Office