



US00D868503S

(12) **United States Design Patent** (10) **Patent No.:** **US D868,503 S**
Fu (45) **Date of Patent:** **** *Dec. 3, 2019**

(54) **DOG MAT**
(71) Applicant: **Zhiping Fu**, Zhejiang (CN)
(72) Inventor: **Zhiping Fu**, Zhejiang (CN)
(73) Assignee: **ZHEJIANG KANGLEYOU LEISURE PRODUCTS, CO. LTD.**, Zhejiang Province (CN)
(*) Notice: This patent is subject to a terminal disclaimer.
(**) Term: **15 Years**
(21) Appl. No.: **29/618,360**
(22) Filed: **Sep. 20, 2017**
(51) **LOC (12) Cl.** **06-13**
(52) **U.S. Cl.**
USPC **D6/611**
(58) **Field of Classification Search**
USPC D6/601-603, 606, 608, 610-612, 617; D7/392; D30/199; D14/448; D12/203, D12/213
CPC A47C 27/001; A47C 27/002; A47C 31/10; A47C 31/105; A47C 31/11; A47C 31/113; A47C 31/116; A47C 4/28; A47C 7/02; A47C 7/021; A47C 7/022; A47C 7/386; A47C 7/42; A47C 7/68; B60N 2/60; B60N 2/58; B60N 2/585; B60N 2/6009
See application file for complete search history.

(56) **References Cited**
U.S. PATENT DOCUMENTS
1,964,242 A * 6/1934 Behrle B60N 2/60 297/223
D267,523 S * 1/1983 Neilson 297/228.11
5,613,730 A * 3/1997 Buie B60N 2/5614 297/180.11

6,676,209 B1 * 1/2004 Szabo B60N 2/60 297/188.01
D527,938 S * 9/2006 Dandrea D6/611
D537,289 S * 2/2007 Eskandry D6/611
7,261,375 B2 * 8/2007 Godshaw A01K 1/0272 119/28.5
D554,424 S * 11/2007 Sandey B60R 11/00 D6/601
D600,488 S * 9/2009 Siklosi B60N 2/60 D6/611
D601,376 S * 10/2009 Siklosi D6/611
D611,751 S * 3/2010 Siklosi B60N 2/6027 D6/611
7,931,335 B1 * 4/2011 Siklosi B60N 2/6027 297/219.1
D674,648 S * 1/2013 Galinski B60N 2/60 D6/611
D768,412 S * 10/2016 Ngo D6/611
9,610,877 B2 * 4/2017 Umlauf B60N 2/90
9,669,742 B1 * 6/2017 Bailey B60N 2/5816
9,815,395 B2 * 11/2017 Umlauf B60N 2/90
2005/0236874 A1 * 10/2005 Godshaw A01K 1/0272 297/35

(Continued)

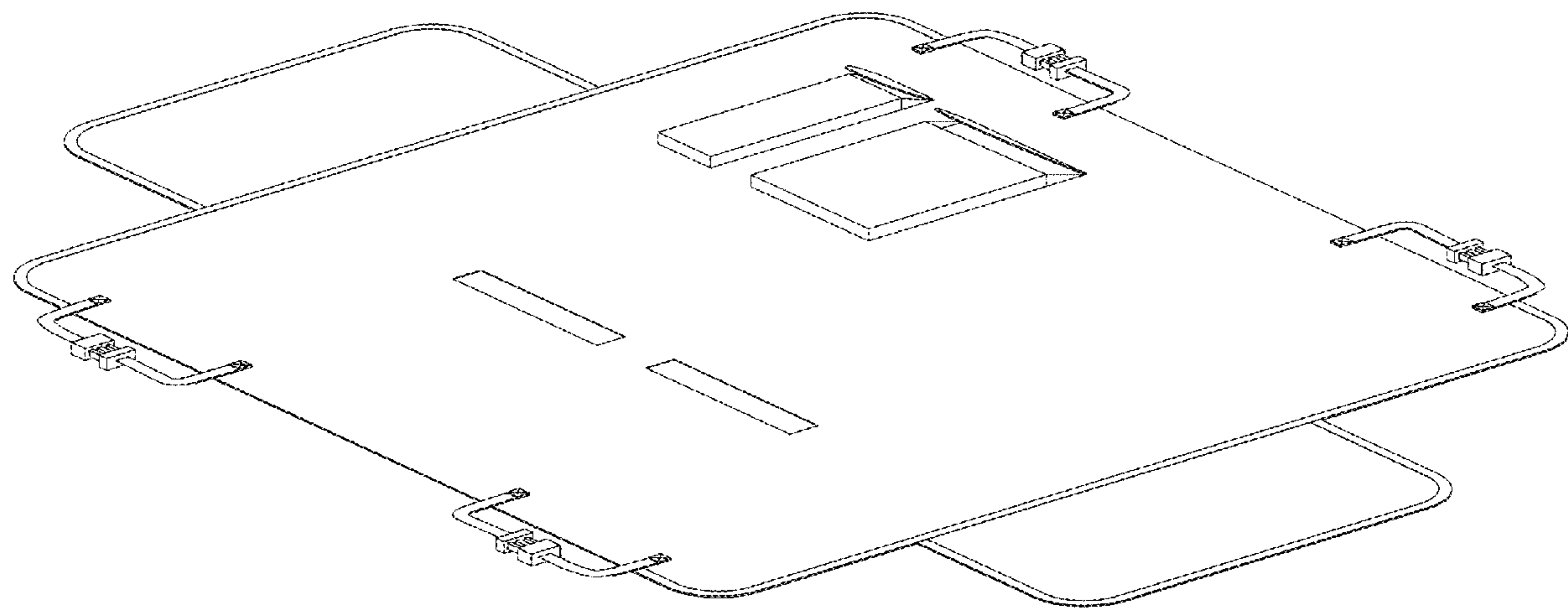
Primary Examiner — Kevin K Rudzinski
Assistant Examiner — Clare Ann Gannon
(74) *Attorney, Agent, or Firm* — Justin Lampel

(57) **CLAIM**
The ornamental design for a dog mat, as shown and described.

DESCRIPTION

FIG. 1 is a perspective view of a dog mat showing my new design;
FIG. 2 is a front elevational view thereof;
FIG. 3 is a rear elevational view thereof;
FIG. 4 is a right side view thereof;
FIG. 5 is a left side view thereof;
FIG. 6 is a bottom plan view thereof; and,
FIG. 7 is a top plan view thereof.

1 Claim, 7 Drawing Sheets



(56)

References Cited

U.S. PATENT DOCUMENTS

2006/0103201 A1* 5/2006 Lundgren B62B 3/144
297/256.17
2007/0194589 A1* 8/2007 Aliev B60R 11/00
296/39.1
2009/0028466 A1* 1/2009 Bailey A45F 4/12
383/4
2009/0091165 A1* 4/2009 Thompson A47C 31/11
297/228.12

* cited by examiner

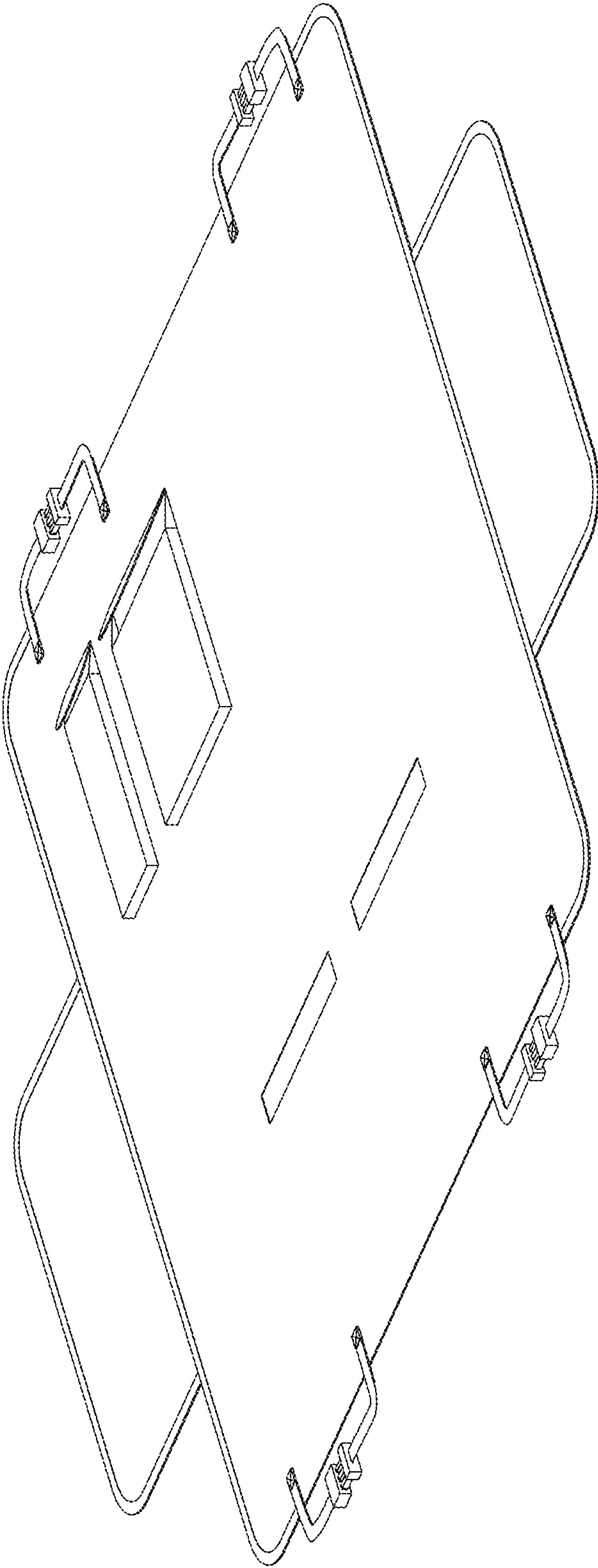


FIG. 1



FIG. 2



FIG. 3



FIG. 4



FIG. 5

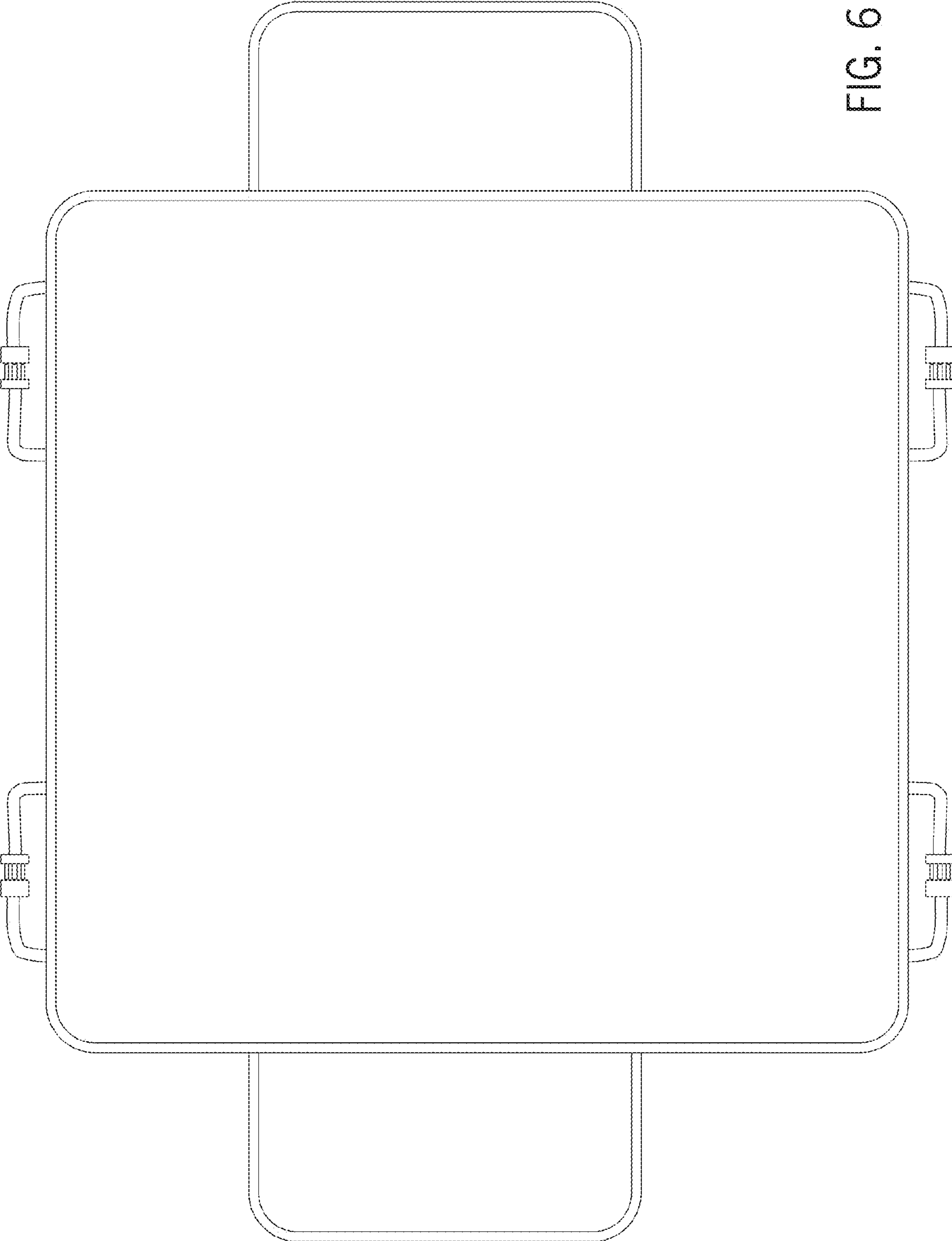


FIG. 6

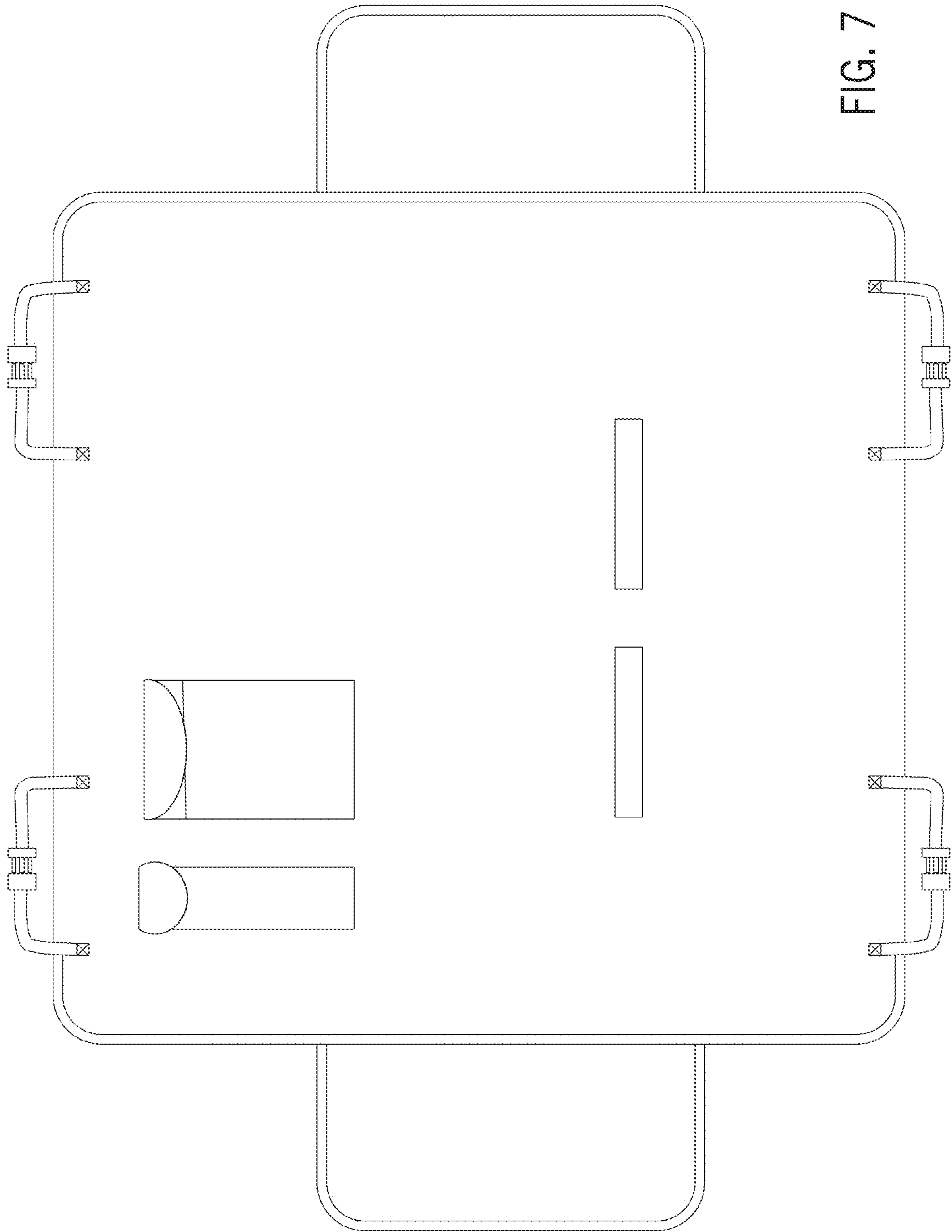


FIG. 7