

US00D868502S

(12) **United States Design Patent** (10) **Patent No.:** **US D868,502 S**  
**Omelchenko et al.** (45) **Date of Patent:** **\*\* Dec. 3, 2019**

(54) **INFLATABLE NECK PILLOW**  
(71) Applicants: **Nataliia Omelchenko**, Brooklyn, NY (US); **Anatoliy Omelchenko**, Brooklyn, NY (US)  
(72) Inventors: **Nataliia Omelchenko**, Brooklyn, NY (US); **Anatoliy Omelchenko**, Brooklyn, NY (US)

D749,873 S \* 2/2016 Latrofa ..... D6/601  
D765,442 S \* 9/2016 Yaakov ..... D6/601  
D773,858 S \* 12/2016 Takashima ..... D6/601  
D796,231 S \* 9/2017 Levin ..... D6/601  
D820,460 S \* 6/2018 Gewant ..... D24/184  
D826,596 S \* 8/2018 Yang ..... D6/601  
D845,675 S \* 4/2019 Yang ..... D6/601  
D846,312 S \* 4/2019 Davis ..... D6/601  
2017/0208972 A1 7/2017 Williams

(\*\*) Term: **15 Years**  
(21) Appl. No.: **29/655,552**

(22) Filed: **Jul. 5, 2018**

(51) **LOC (12) Cl.** ..... **06-09**

(52) **U.S. Cl.**  
USPC ..... **D6/601**

(58) **Field of Classification Search**  
USPC ..... D6/333, 349, 355, 375, 388, 512, 563, D6/564, 595, 596, 601, 602, 603, 604, D6/605, 606, 607, 608, 707, 715, 716, D6/716.1; 5/636, 490, 491, 495; D24/183-184  
CPC ..... A47C 17/021; A47C 17/13; A47C 17/132; A47C 17/136; A47C 17/1655; A47C 17/207; A47G 9/10; A47G 9/1027; A47G 9/1081; A47G 9/1036; A47G 9/1063; A47G 2009/1018

See application file for complete search history.

(56) **References Cited**

**U.S. PATENT DOCUMENTS**

D404,238 S \* 1/1999 Keilhauer ..... D6/601  
6,457,195 B1 10/2002 Holste  
D539,066 S \* 3/2007 Coquillette ..... D6/601  
D711,669 S \* 8/2014 Holder ..... D6/601  
D712,677 S \* 9/2014 Clute ..... D6/390  
D725,407 S \* 3/2015 McCracken ..... D6/601

**OTHER PUBLICATIONS**

Wrap-Around Pregnancy Pillow, dated 2019, [online], [site visited Aug. 10, 2019]. Available from Internet, URL: [https://www.lottshomefurnishings.com/en/catalog/product/316905-Malouf-Wrap-Around-Pregnancy-Pillow#316905\\_product\\_4](https://www.lottshomefurnishings.com/en/catalog/product/316905-Malouf-Wrap-Around-Pregnancy-Pillow#316905_product_4) (Year: 2019).\*

(Continued)

*Primary Examiner* — Michelle E. Wilson  
*Assistant Examiner* — Sanjeev Paul  
(74) *Attorney, Agent, or Firm* — Larson & Larson, P.A.; Justin P. Miller; Frank Liebenow

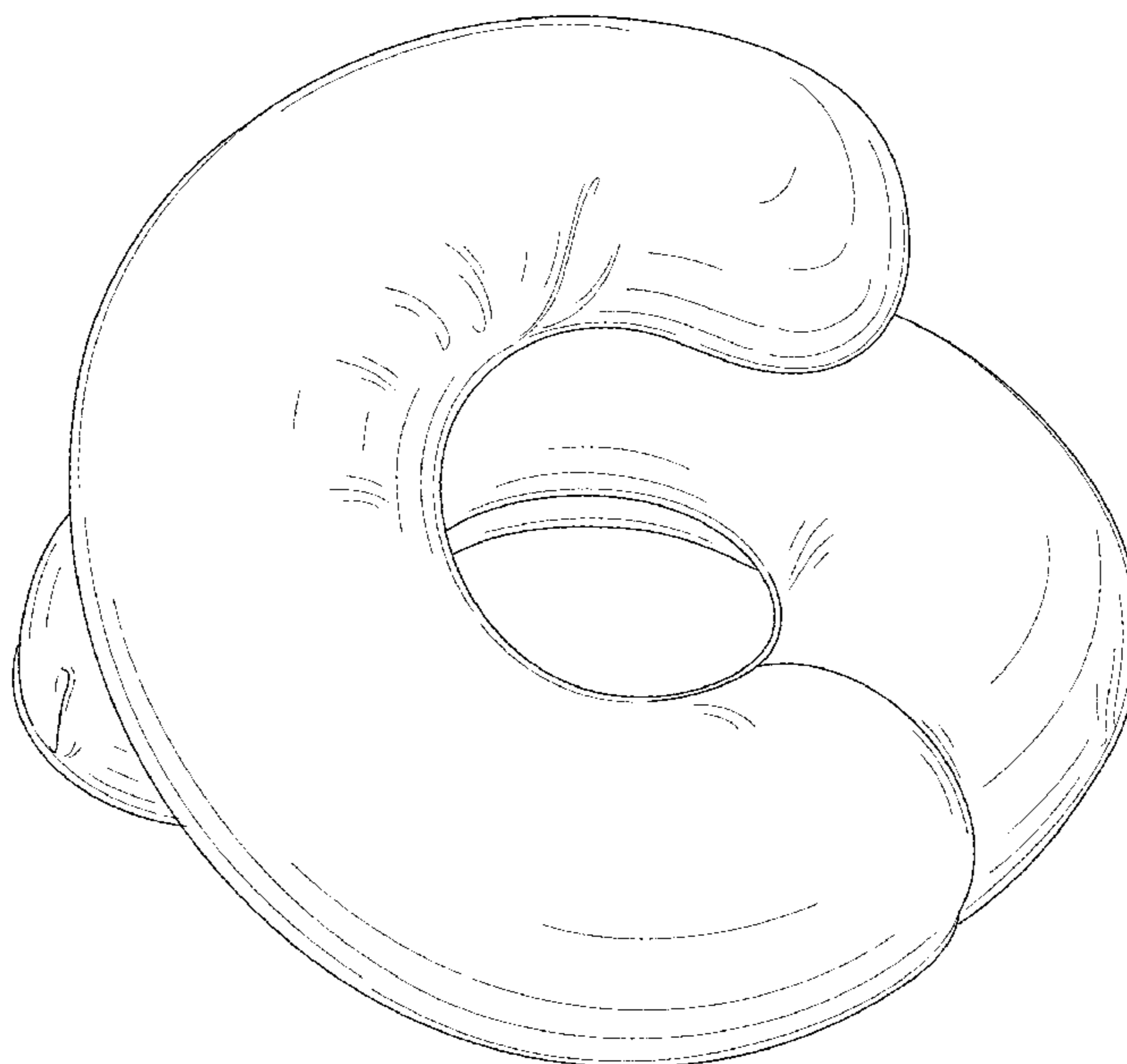
(57) **CLAIM**

We claim the ornamental design for an inflatable neck pillow, as shown and described.

**DESCRIPTION**

FIG. 1 is a perspective view of an inflatable neck pillow showing my new design;  
FIG. 2 is a front elevation view thereof;  
FIG. 3 is a back elevation thereof;  
FIG. 4 is a left-side elevation view thereof;  
FIG. 5 is a right-side elevation thereof;  
FIG. 6 is a top plan view thereof;  
FIG. 7 is a bottom plan view thereof; and,  
FIG. 8 is a second bottom plan view thereof, showing the inflatable neck pillow in a deflated state.

**1 Claim, 6 Drawing Sheets**



(56)

**References Cited**

OTHER PUBLICATIONS

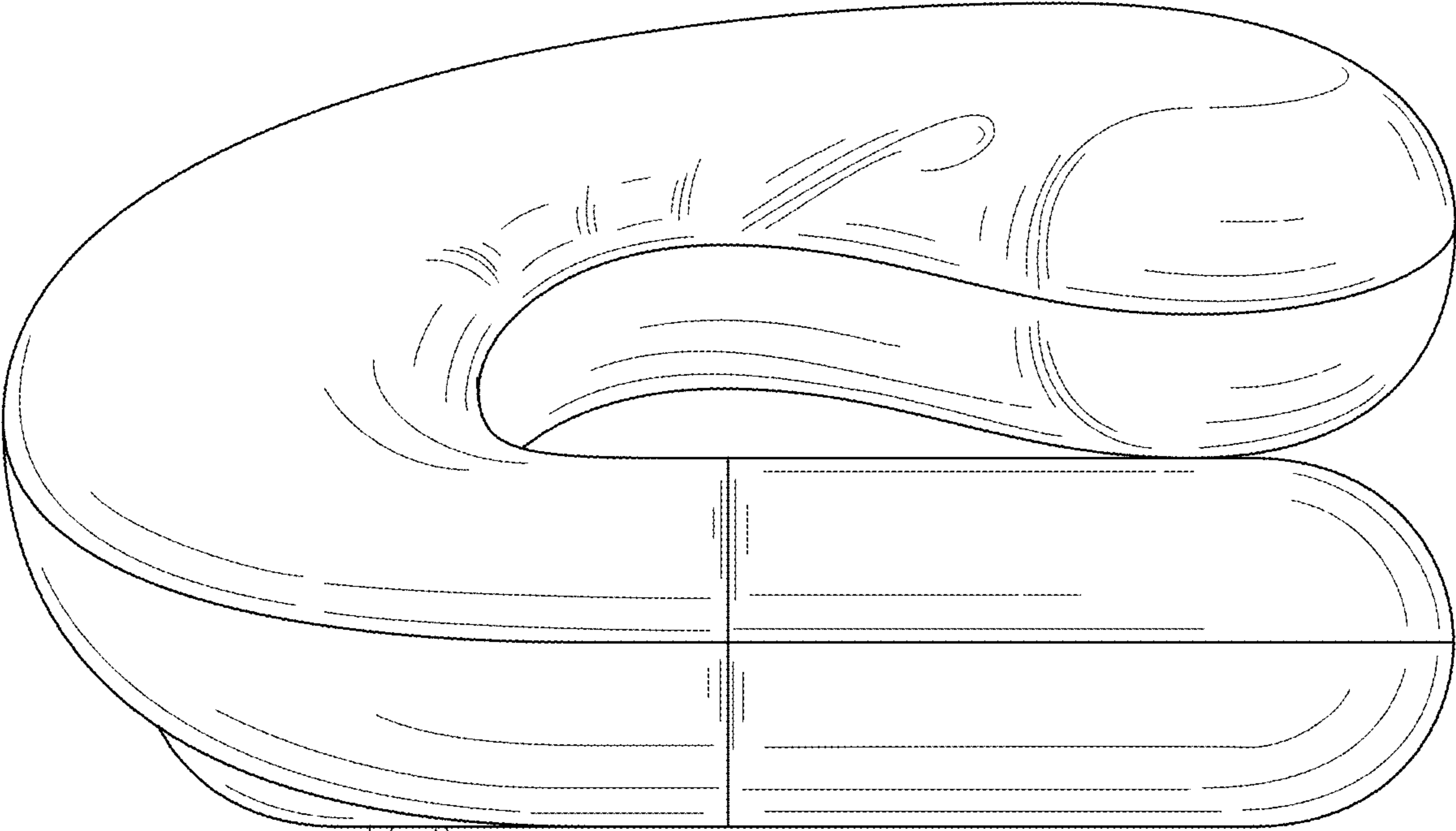
Dot&Dot Bendable Memory foam Pillow, earliest review date Dec. 27, 2016, [online], [site visited Aug. 10, 2019]. Available from Internet, URL: <https://www.amazon.com/Memory-Travel-Pillow-Lumbar-Support/dp/B07H9X9ZSS/?tag=scolio-pillow-20&th=1> (Year: 2016).\*

BCOZZY Chin Support Patented Travel Pillow, earliest review date Mar. 1, 2017, [online], [site visited Aug. 10, 2019]. Available from Internet, URL: <https://www.amazon.com/BCOZZY-Chin-Supporting-Travel-Pillow/dp/B01DODMU9I> (Year: 2017).\*

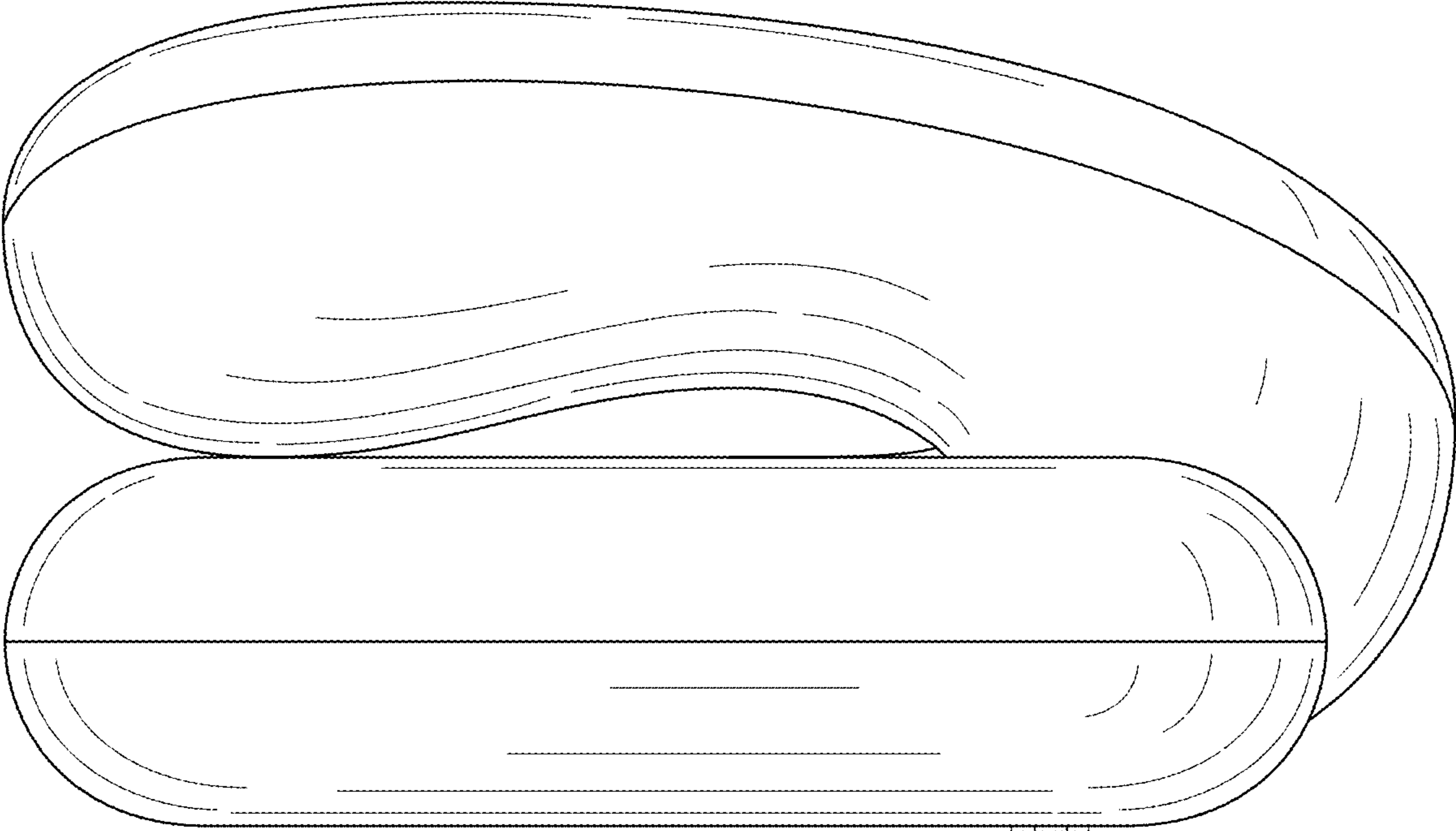
\* cited by examiner



FIG. 1

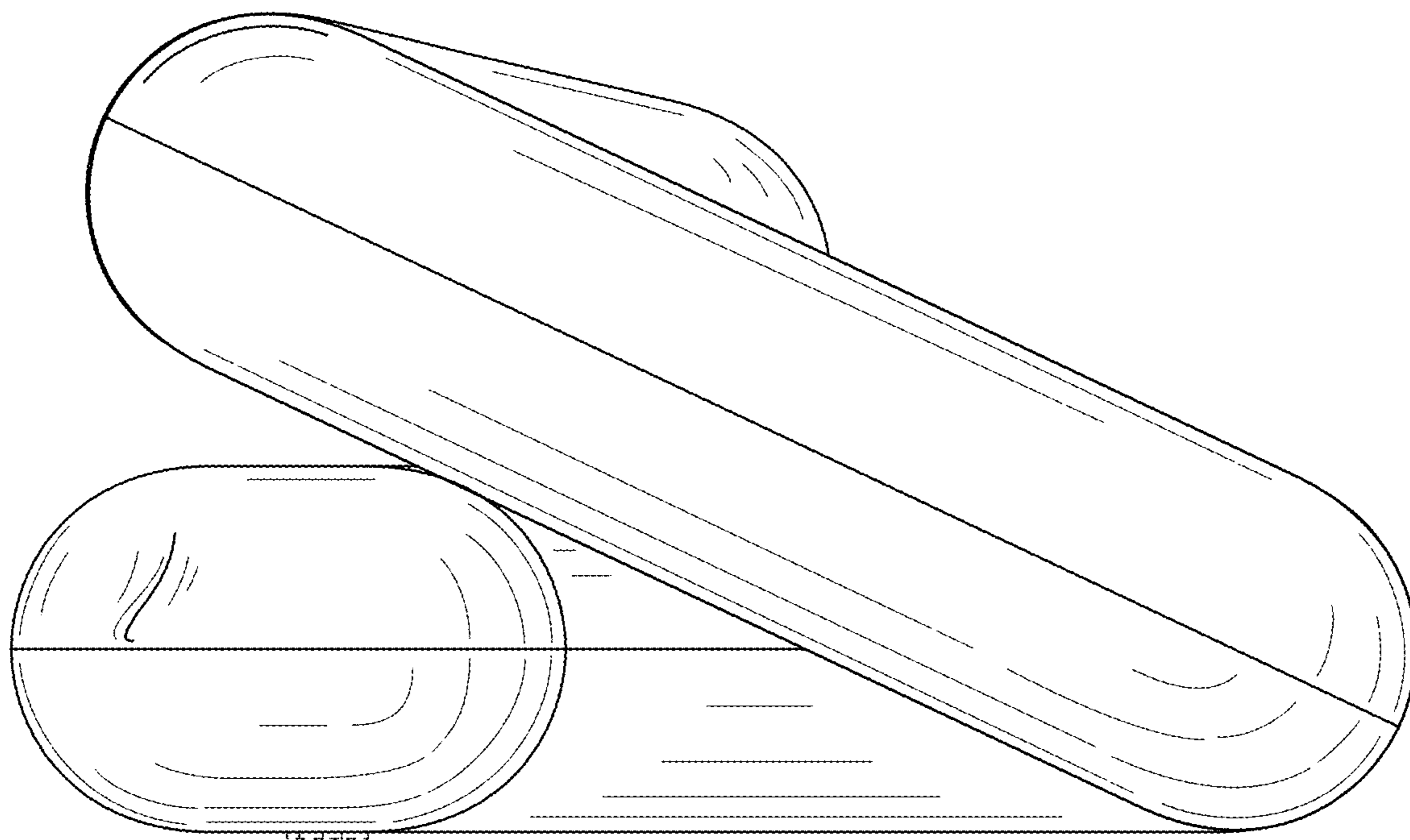


**FIG. 2**

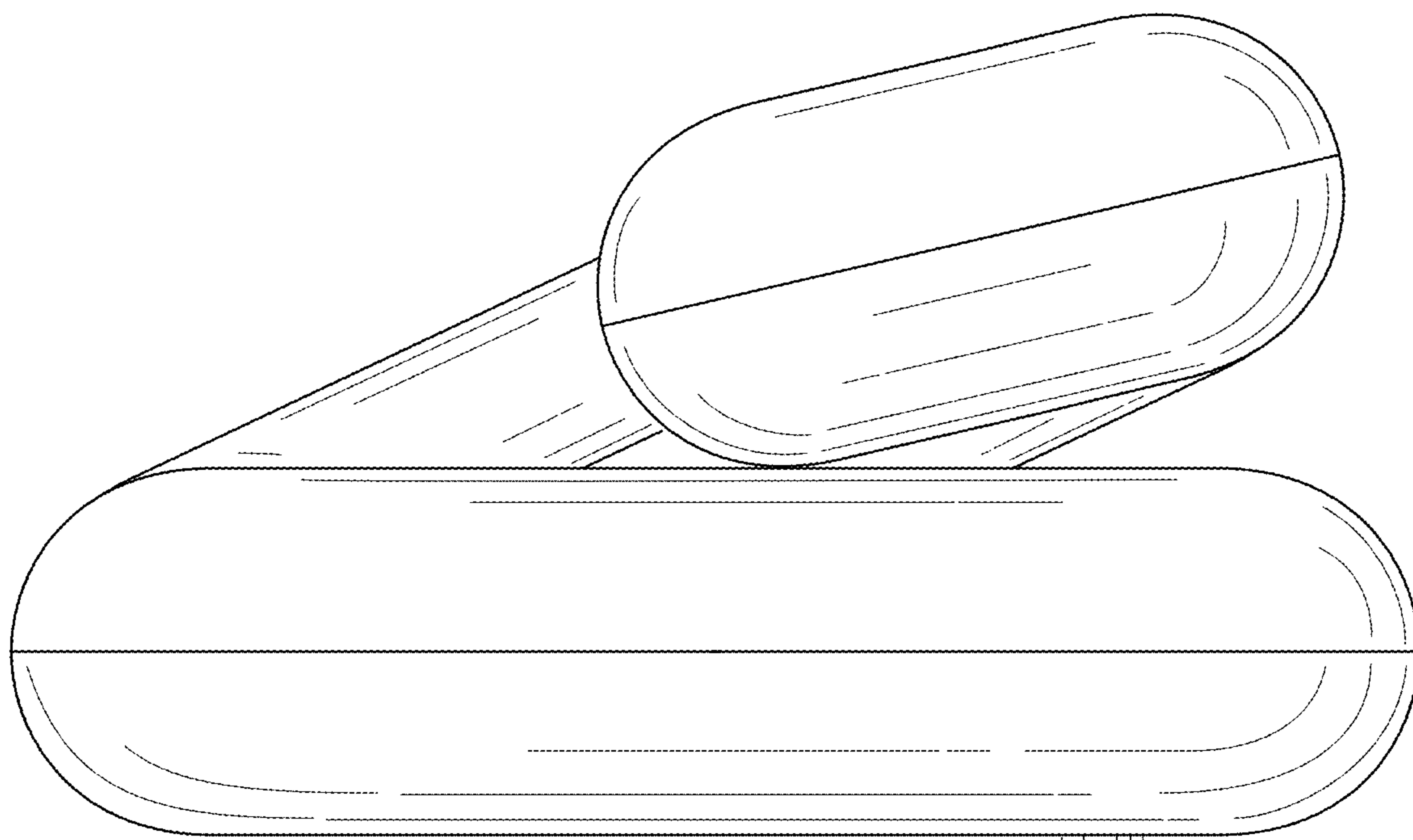


**FIG. 3**

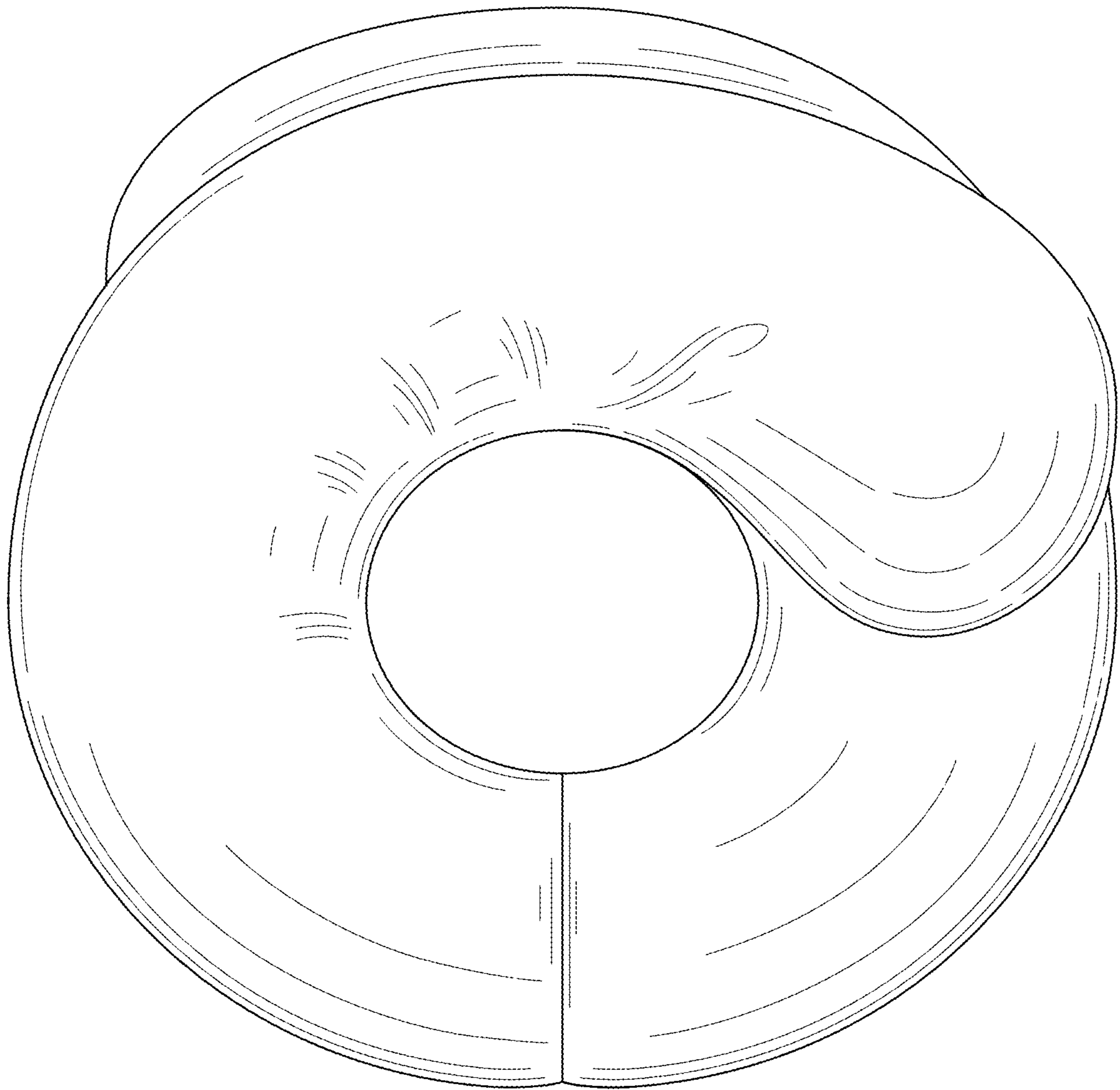




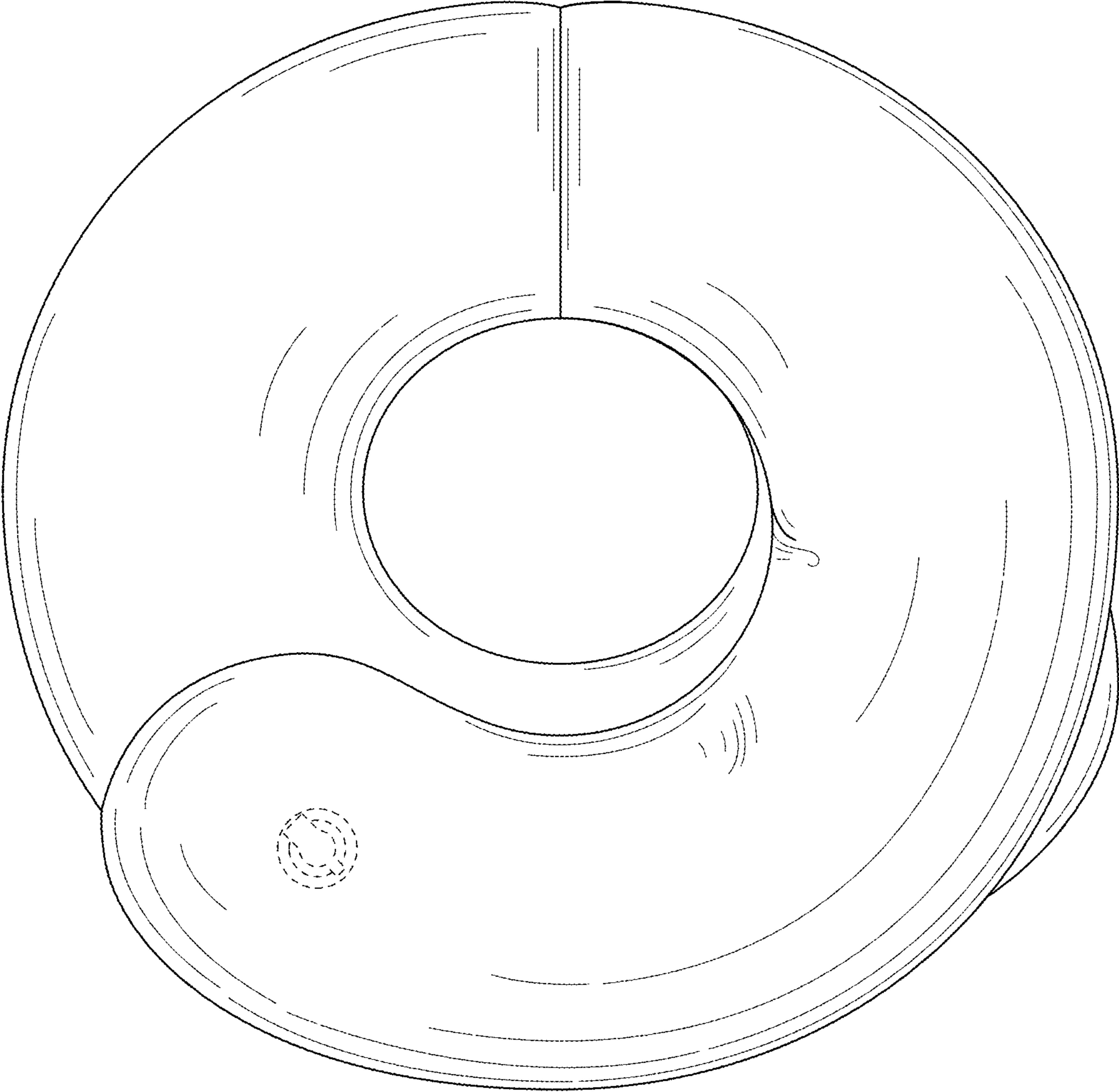
**FIG. 4**



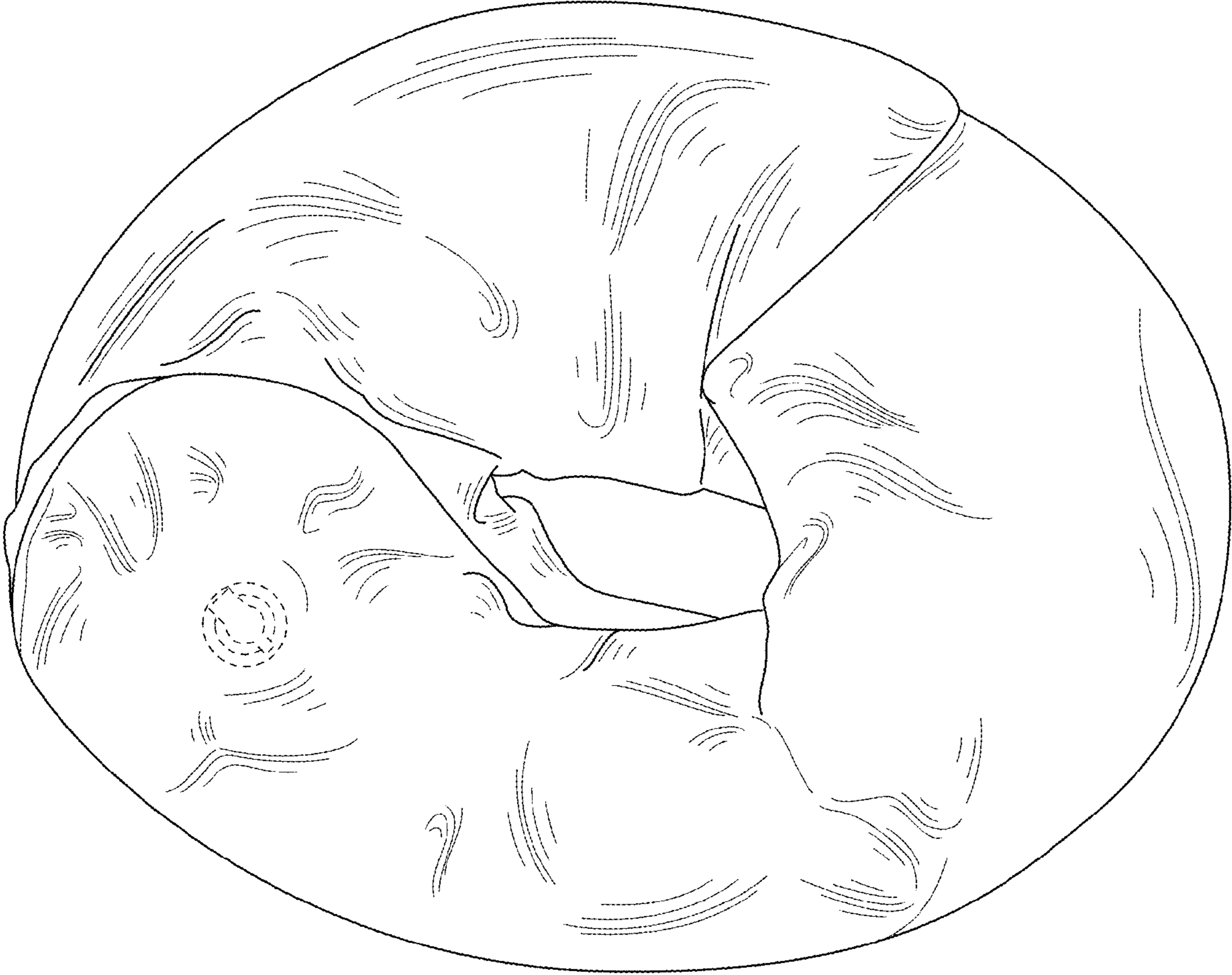
**FIG. 5**



**FIG. 6**



**FIG. 7**



**FIG. 8**