



US00D868500S

(12) **United States Design Patent** (10) **Patent No.:** **US D868,500 S**
Rowe (45) **Date of Patent:** **** Dec. 3, 2019**

(54) **BABY CUSHION**
(71) Applicant: **Amanda Loralie Rowe**, Ballajura (AU)
(72) Inventor: **Amanda Loralie Rowe**, Ballajura (AU)
(**) Term: **15 Years**
(21) Appl. No.: **29/575,575**
(22) Filed: **Aug. 26, 2016**

(30) **Foreign Application Priority Data**

Feb. 26, 2016 (AU) 201611048

(51) **LOC (12) Cl.** **06-09**

(52) **U.S. Cl.**
USPC **D6/601**

(58) **Field of Classification Search**
USPC D6/333, 349, 355, 375, 388, 512, 563,
D6/564, 595, 596, 601, 604, 611, 707,
D6/715, 716, 716.1; D24/183-185, 234;
D21/803, 804, 805, 809; 5/401, 420,
5/600, 630, 631, 632, 633, 635, 636, 638,
5/639, 646, 652, 652.1, 655, 703, 730;
297/1, 2, 4, 93, 180.11, 195.1, 195.11,
297/195.13, 393, 397, 452.12, 452.14,
297/452.15, 452.21, 452.24, 452.26,
297/452.48, 452.62, 482
CPC A47G 9/10; A47G 9/1009; A47G 9/1027;
A47G 9/1045; A47G 9/1063; A47G
9/1072; A47G 9/1081
See application file for complete search history.

(56) **References Cited**

U.S. PATENT DOCUMENTS

2,478,497 A * 8/1949 Morrison A61F 13/069
128/892
D289,354 S * 4/1987 Willey D6/601
4,905,330 A * 3/1990 Jacobs A47C 17/045
482/23

D326,976 S * 6/1992 Wickis, Jr. D24/183
D356,919 S * 4/1995 Nadeau 5/633
5,432,967 A * 7/1995 Raftery A47C 16/005
5/633
D370,821 S * 6/1996 Mata D6/596
D375,989 S * 11/1996 Jacobs D21/809
D376,945 S * 12/1996 Bonaddio 5/420
5,645,319 A * 7/1997 Parks, Jr. A47C 7/383
297/146
D386,643 S * 11/1997 Farrell D6/596
D390,298 S * 2/1998 Ince 5/633

(Continued)

Primary Examiner — Michelle E. Wilson
Assistant Examiner — Sanjeev Paul
(74) *Attorney, Agent, or Firm* — Bracewell LLP; Douglas
W. Rommelmann

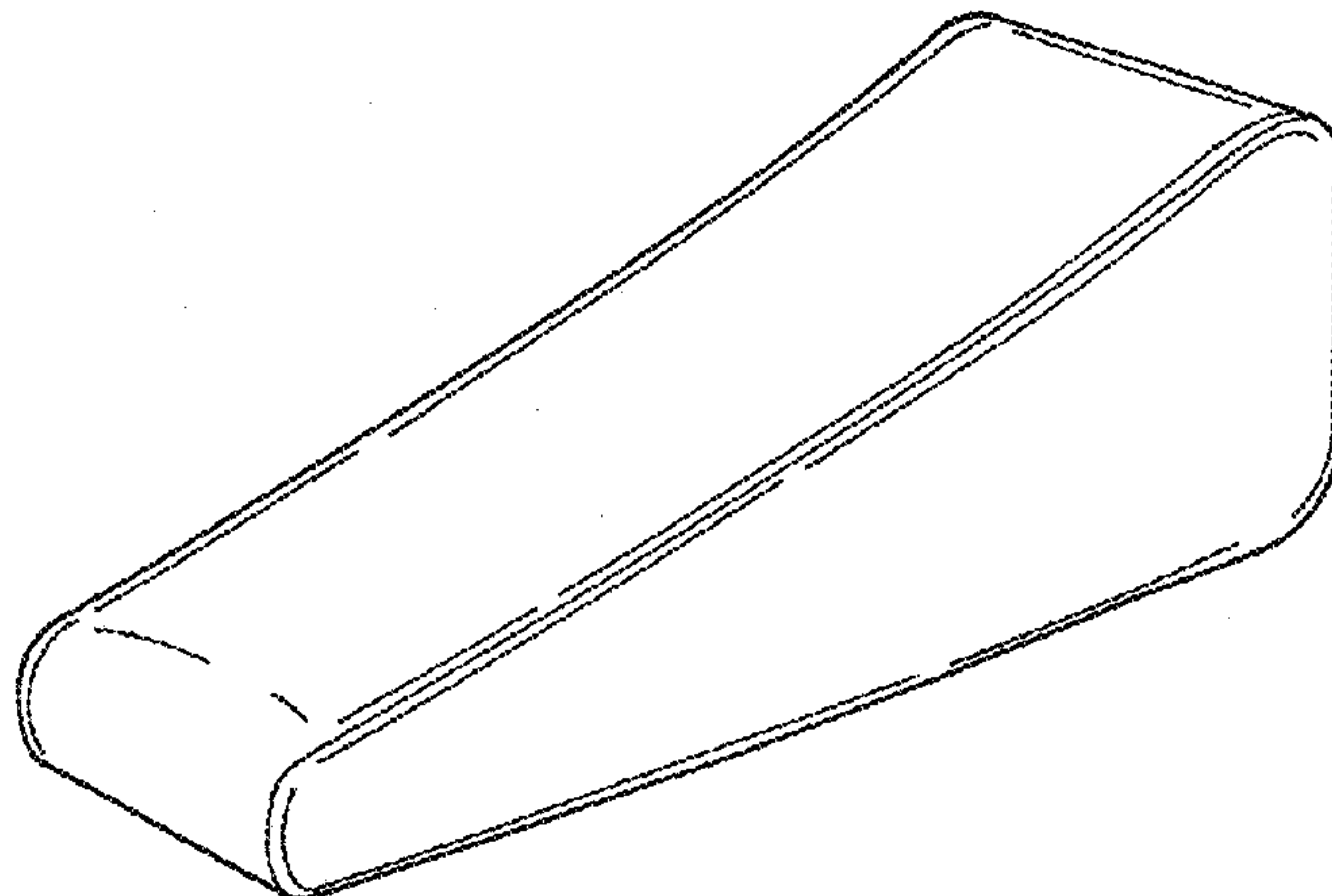
(57) **CLAIM**

The ornamental design for a baby cushion, as shown and described.

DESCRIPTION

FIG. 1 is a top, front and left side perspective view of a baby cushion showing the new design;
FIG. 2 is a bottom, rear and right side perspective view thereof;
FIG. 3 is a front view thereof;
FIG. 4 is a rear view thereof;
FIG. 5 is a top view thereof;
FIG. 6 is a left side view thereof;
FIG. 7 is a right side view thereof;
FIG. 8 is a bottom view thereof;
FIG. 9 is a right side view of the baby cushion in a collapsed condition;
FIG. 10 is a top view thereof;
FIG. 11 is rear view thereof; and,
FIG. 12 is a front view thereof.
The broken line showing of the inflation valve in FIGS. 2, 4, and 5-11 is for illustrative purposes only and forms no part of the claimed design.

1 Claim, 4 Drawing Sheets



(56)

References Cited

U.S. PATENT DOCUMENTS

D392,495 S * 3/1998 Baousson D6/596
 D407,259 S * 3/1999 Jackson D6/601
 6,170,908 B1 * 1/2001 Jewell A47C 13/00
 297/118
 D441,587 S * 5/2001 Cameron D6/601
 6,230,350 B1 * 5/2001 Goldstein A47C 20/026
 5/636
 D444,970 S * 7/2001 Briggs D6/707
 D446,676 S * 8/2001 Mayes D6/601
 6,558,264 B2 * 5/2003 Gordon A63G 21/18
 472/117
 D503,580 S * 4/2005 Donoghue D6/601
 6,918,145 B1 * 7/2005 Drangula A47C 16/005
 5/632
 7,251,846 B1 * 8/2007 Elkin A47D 13/08
 128/875
 7,475,441 B1 * 1/2009 Soberal A47D 9/02
 5/634
 D587,507 S * 3/2009 Martin D6/604
 D627,113 S * 11/2010 Seliskar D30/160
 D635,265 S * 3/2011 Coffey D24/183

D637,030 S * 5/2011 Khandai D6/601
 D642,412 S * 8/2011 Cuba D6/601
 D651,840 S * 1/2012 Davis, III A47C 20/048
 D6/601
 D653,489 S * 2/2012 Perry A47C 20/027
 D6/601
 D655,559 S * 3/2012 Cheng D6/601
 D656,356 S * 3/2012 Cheng D6/601
 D663,426 S * 7/2012 Davis, III D24/183
 D666,045 S * 8/2012 Spencer D6/601
 D720,145 S * 12/2014 Pierre D6/361
 D749,873 S * 2/2016 Latrofa D6/601
 D767,148 S * 9/2016 Perreault D24/183
 D793,769 S * 8/2017 Nacey D6/601
 D804,850 S * 12/2017 Acosta De Nicolo D6/601
 D805,325 S * 12/2017 Chan D6/601
 D805,812 S * 12/2017 Zanki D6/601
 2007/0294829 A1 * 12/2007 Callahan A61G 7/065
 5/636
 2009/0229056 A1 * 9/2009 Edinger A47C 20/021
 5/648
 2010/0146708 A1 * 6/2010 Sakata A63B 21/00047
 5/655.3

* cited by examiner

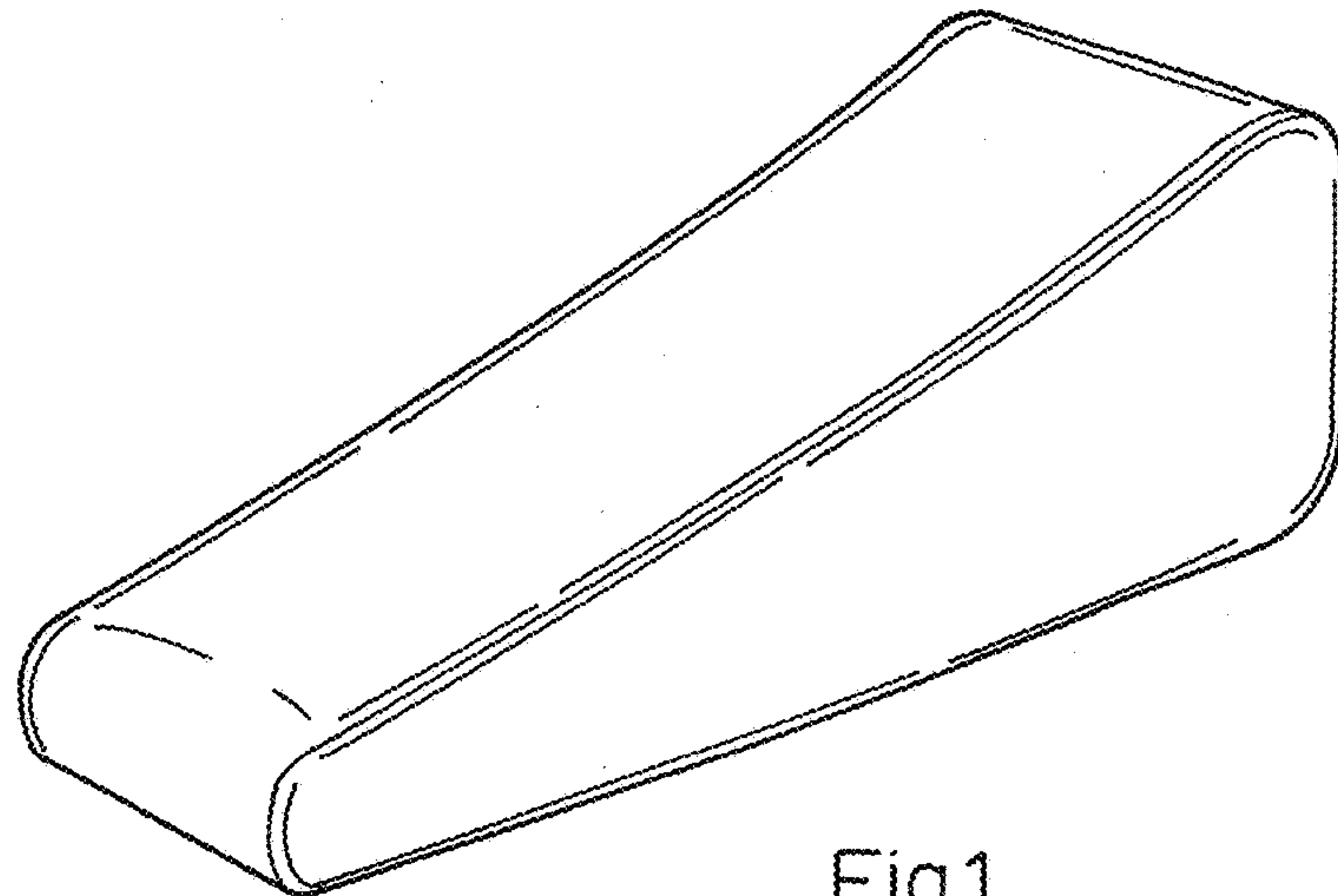


Fig.1

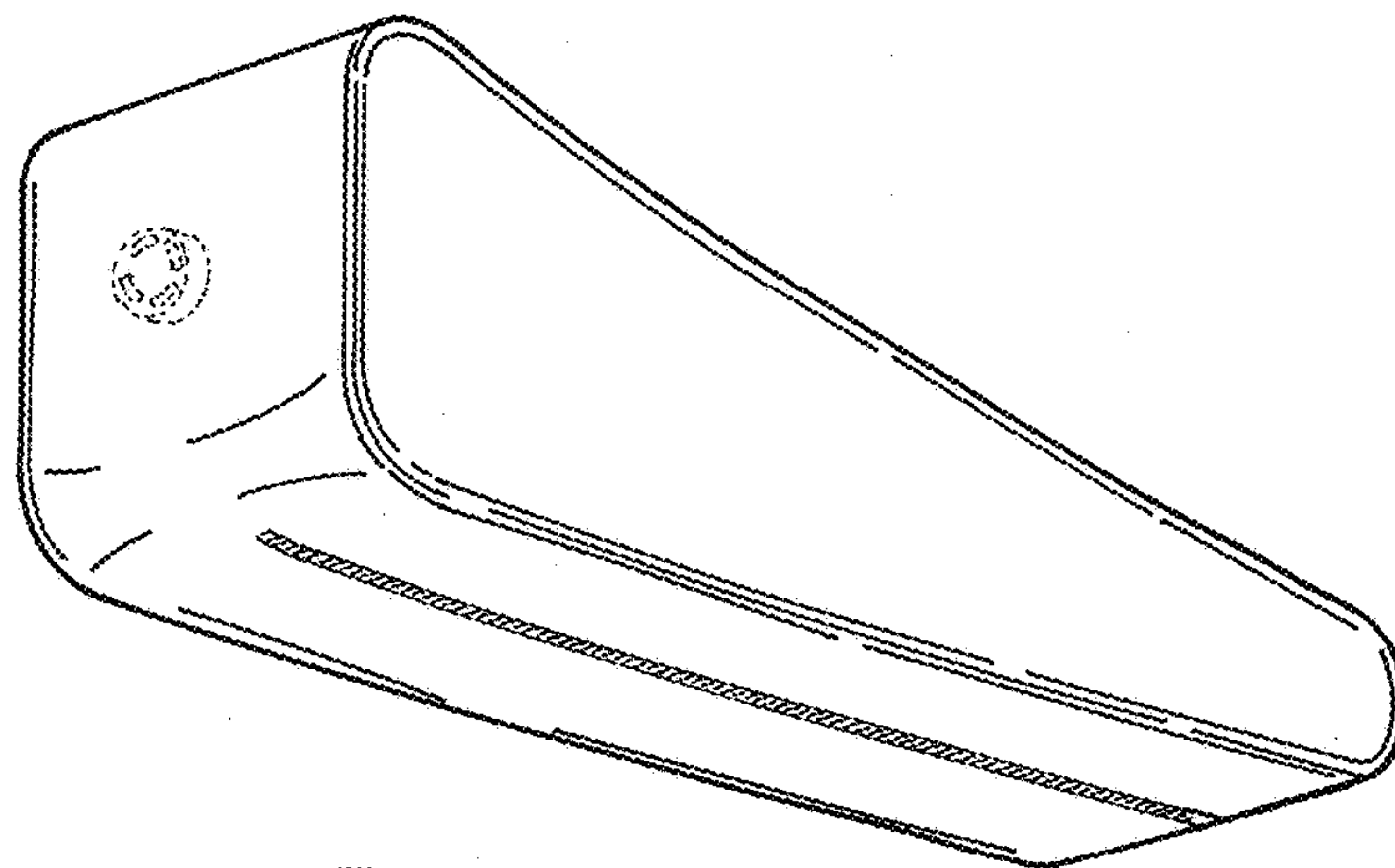


Fig.2



Fig. 3

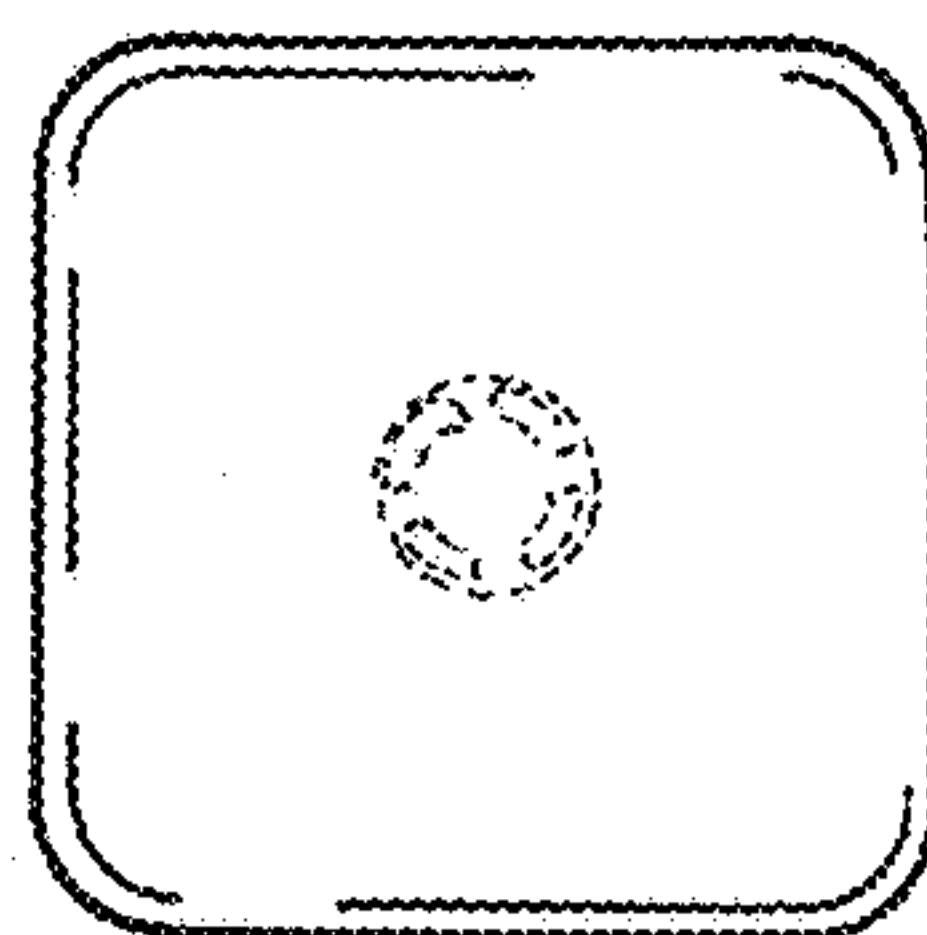


Fig. 4

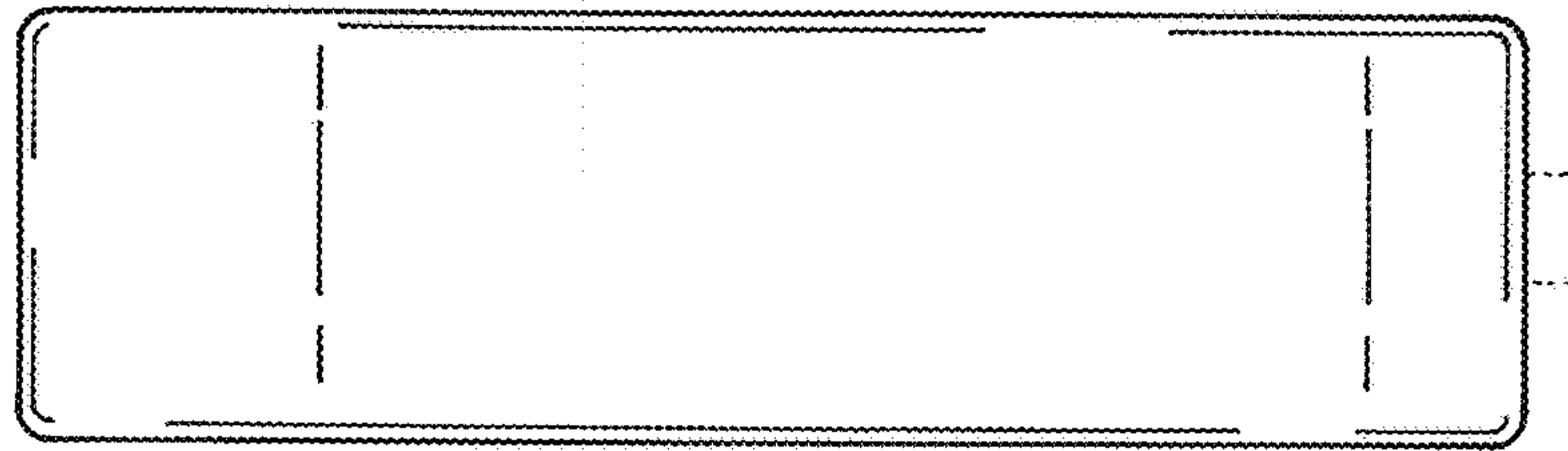


Fig.5

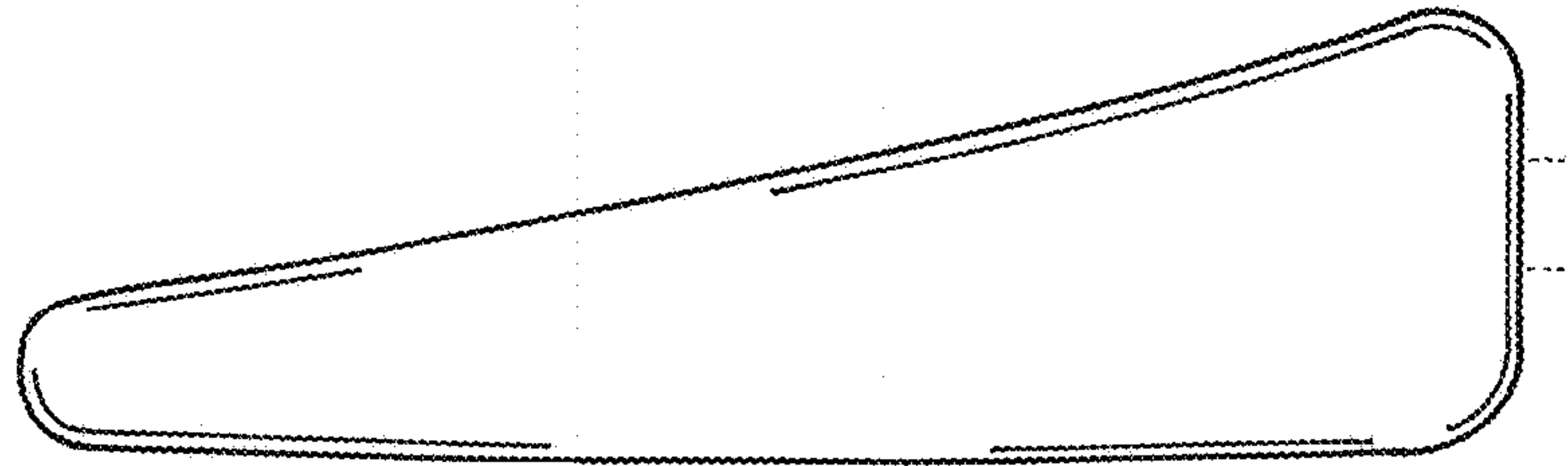


Fig.6

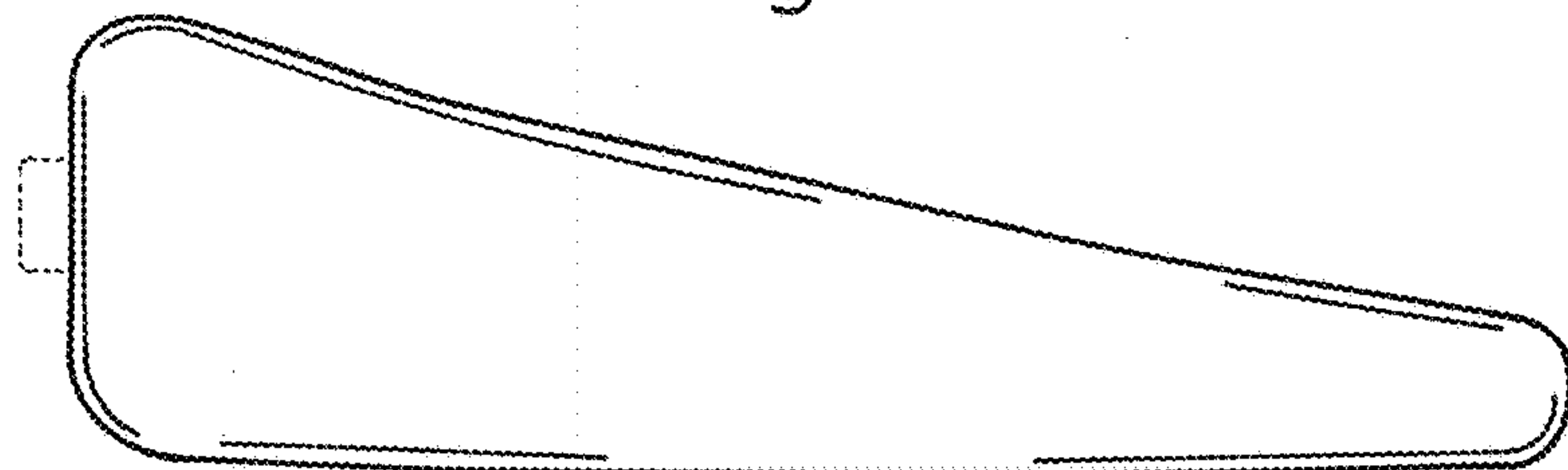


Fig.7

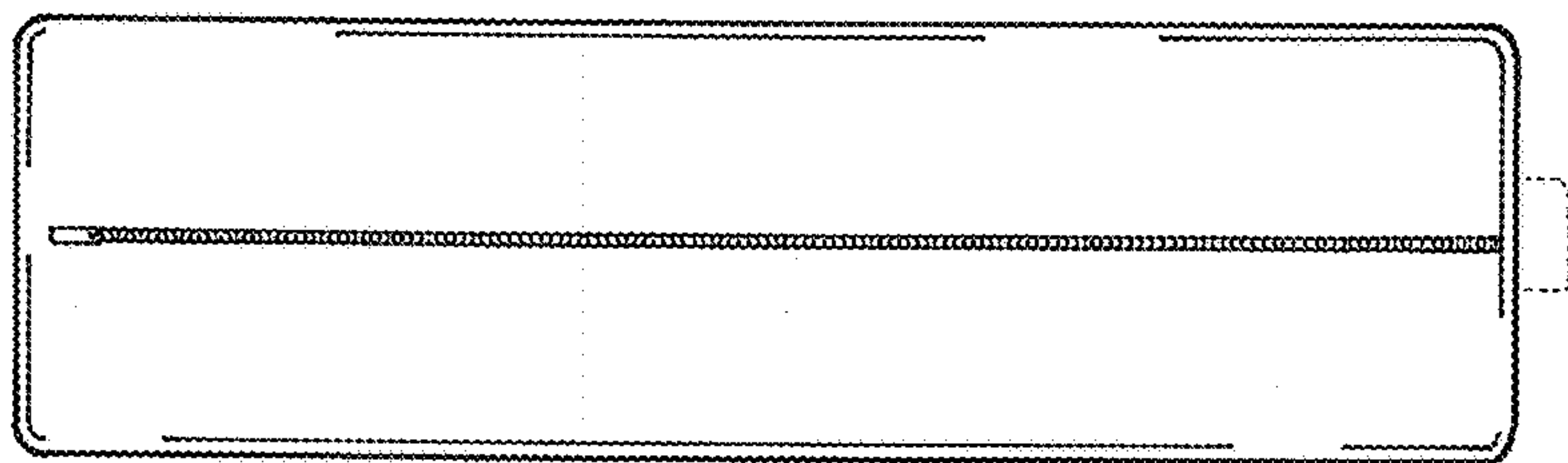


Fig.8

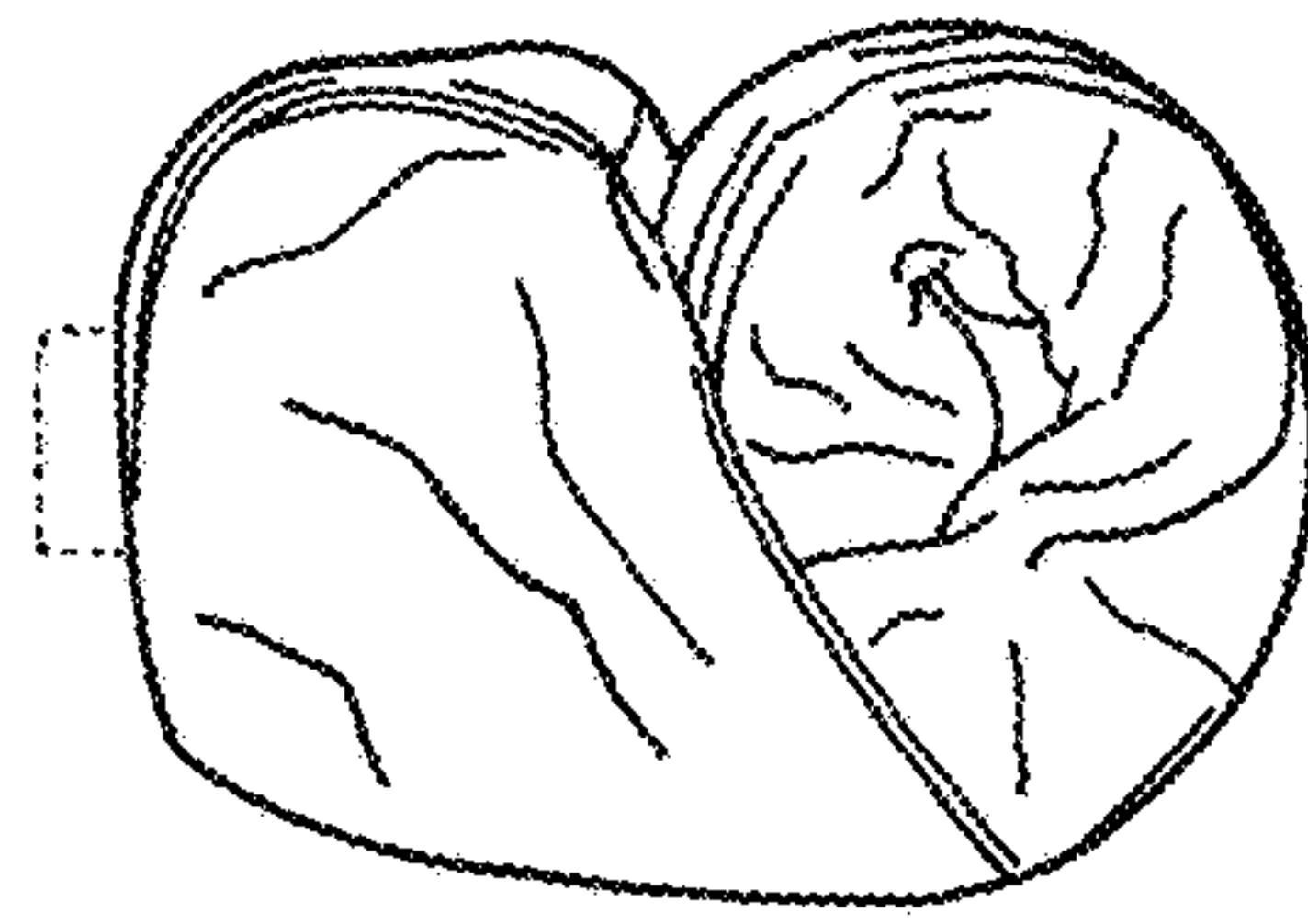


Fig.9

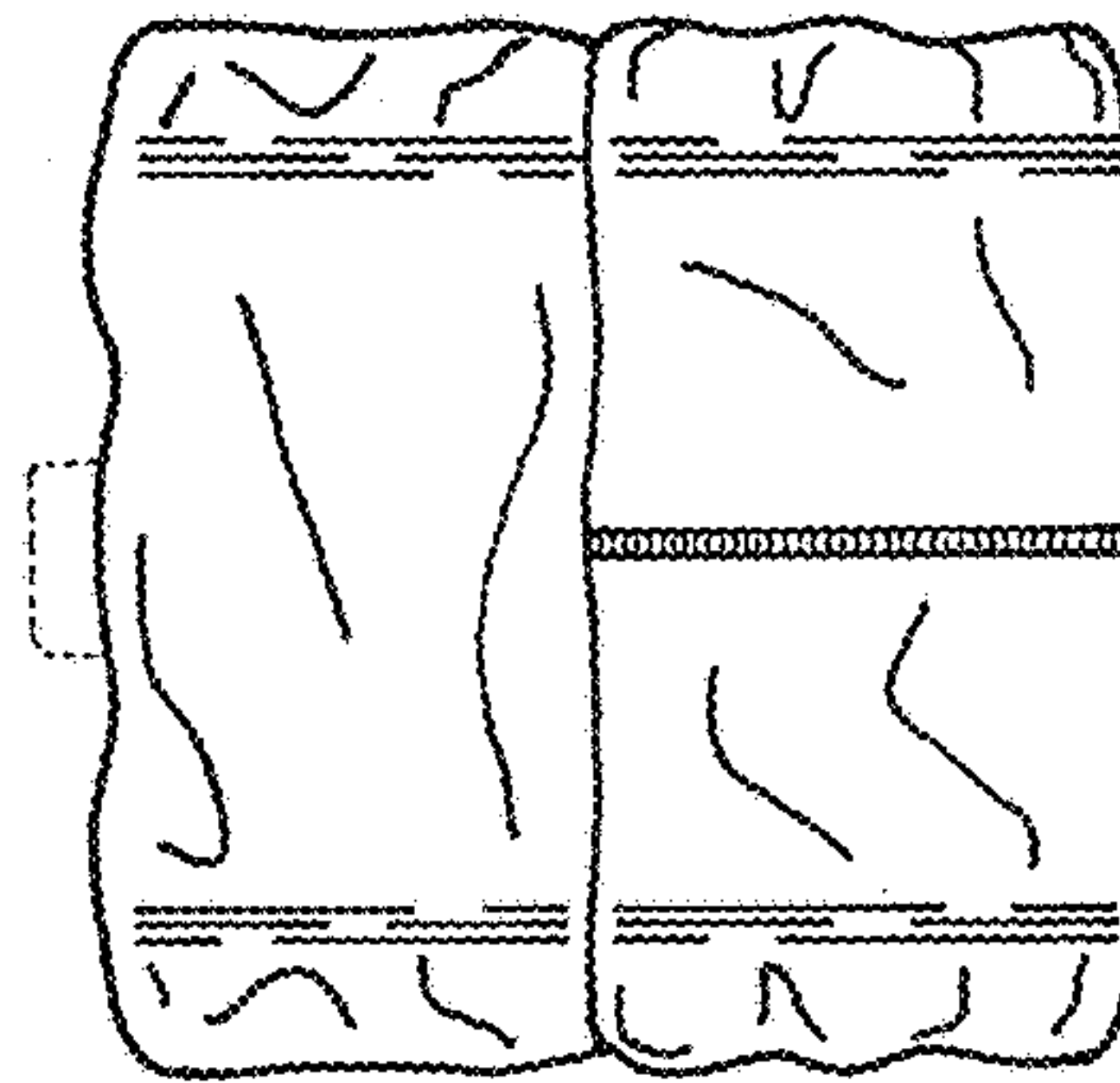


Fig.10

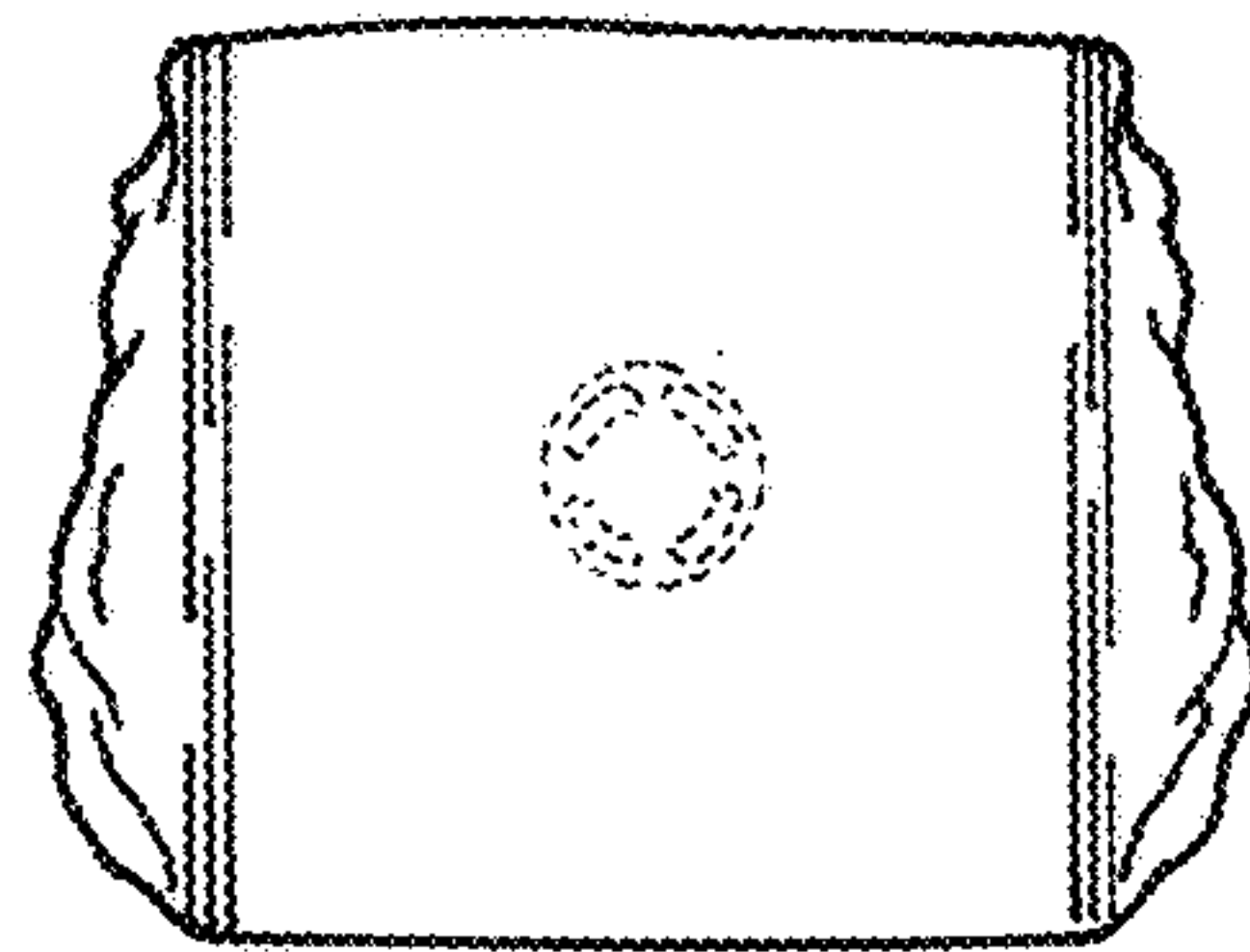


Fig.11

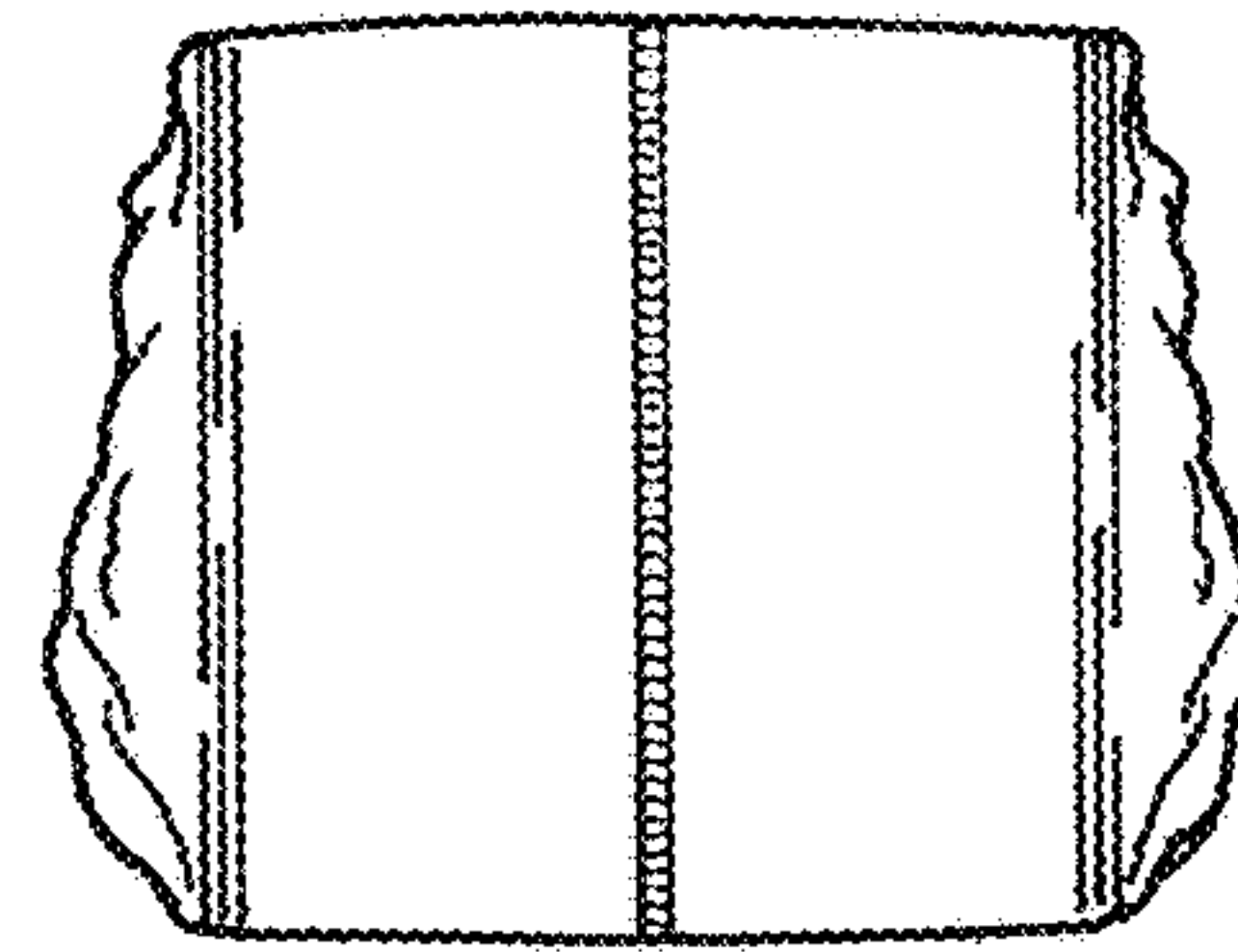


Fig.12