



US00D868497S

(12) **United States Design Patent** (10) **Patent No.:** **US D868,497 S**
Wei (45) **Date of Patent:** **** Dec. 3, 2019**

(54) **SOAP DISPENSER** D699,047 S * 2/2014 Lissoni D6/542
D773,847 S * 12/2016 Lord D6/542
(71) Applicant: **Jiangmen Longan Houseware Co., Ltd., Jiangmen (CN)** D815,854 S * 4/2018 Weir D6/542
D831,376 S * 10/2018 Ziemann D6/542

(72) Inventor: **Shaohong Wei, Jiangmen (CN)**

(73) Assignee: **Jiangmen Longan Houseware Co., Ltd., Jiangmen (CN)**

(**) Term: **15 Years**

(21) Appl. No.: **29/659,116**

(22) Filed: **Aug. 6, 2018**

(51) **LOC (12) Cl.** **23-02**

(52) **U.S. Cl.**
USPC **D6/542**

(58) **Field of Classification Search**
USPC D6/542, 545, 543, 544; 206/77.1;
221/282-283, 96, 132; 222/92, 105, 173,
222/180, 181.1, 181.2, 181.3, 282, 283
CPC B01L 3/52; B05B 11/3014; B05B 9/0403;
B05B 9/0426; C11D 17/08; A45D 19/02;
A47K 5/12; A47K 5/1202; A47K 5/1211;
B67D 7/0255

See application file for complete search history.

(56) **References Cited**

U.S. PATENT DOCUMENTS

D438,041 S * 2/2001 Huang D6/542
D604,544 S * 11/2009 Daams D6/542

* cited by examiner

Primary Examiner — Wan Laymon

Assistant Examiner — Mark Booker

(74) *Attorney, Agent, or Firm* — Intellectual Property Law Group LLP

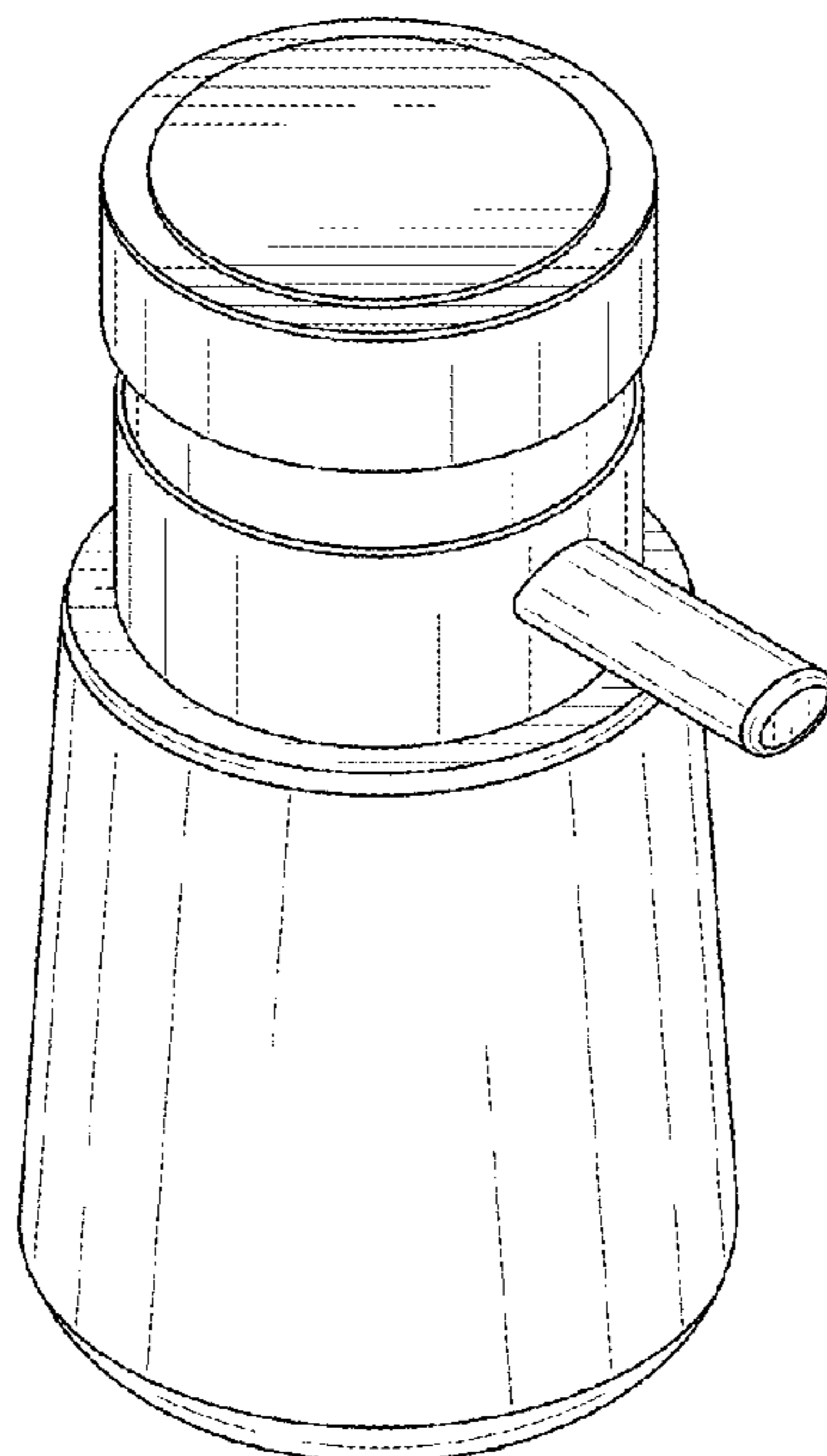
(57) **CLAIM**

The ornamental design for a soap dispenser, as shown and described.

DESCRIPTION

FIG. 1 is a perspective view of a soap dispenser, showing my new design;
FIG. 2 is a front view thereof;
FIG. 3 is a rear view thereof;
FIG. 4 is a left side view thereof, the right side view being a mirror image thereof;
FIG. 5 is a top plan view thereof; and,
FIG. 6 is a bottom plan view thereof.

1 Claim, 2 Drawing Sheets



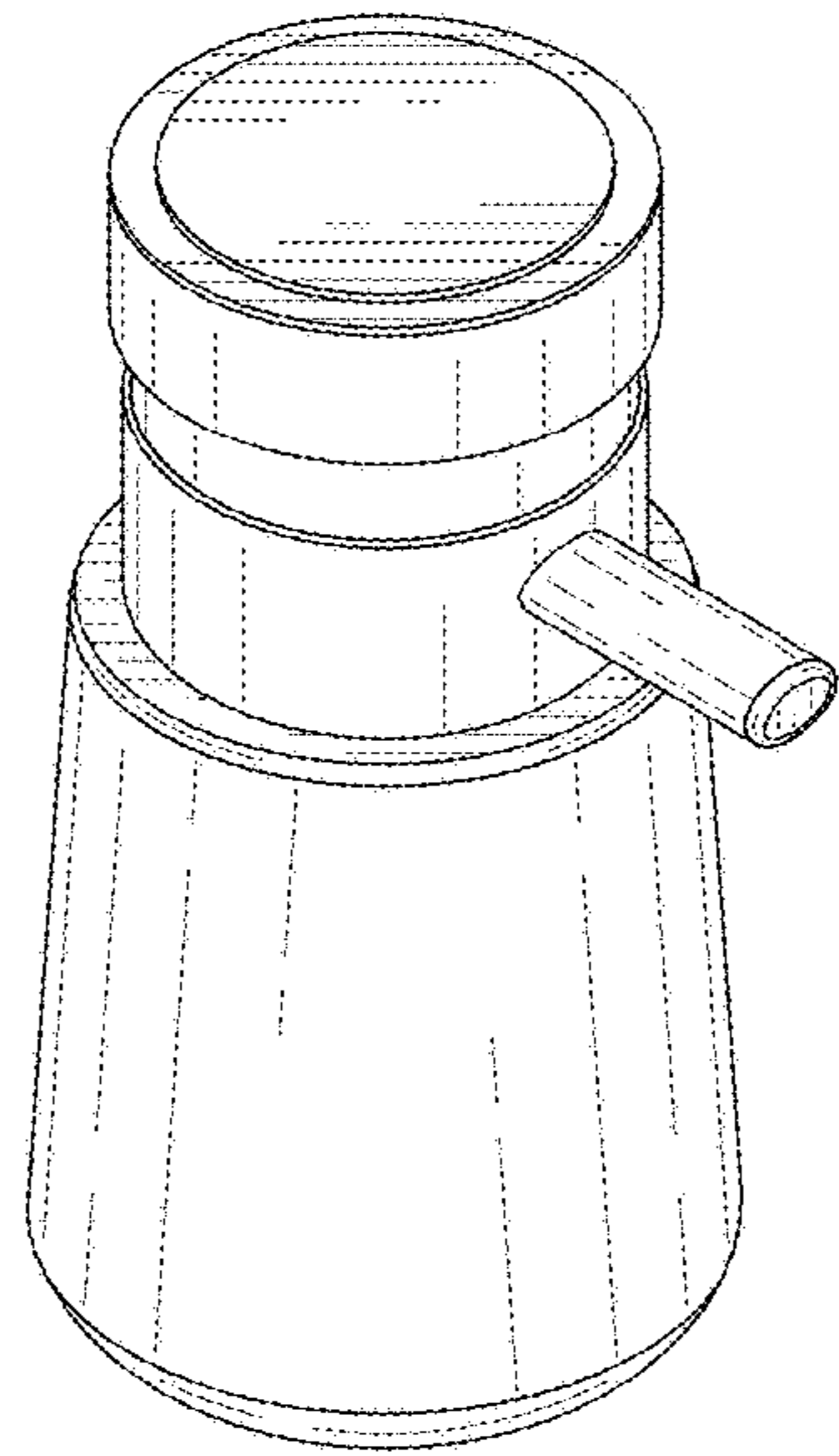


FIG. 1

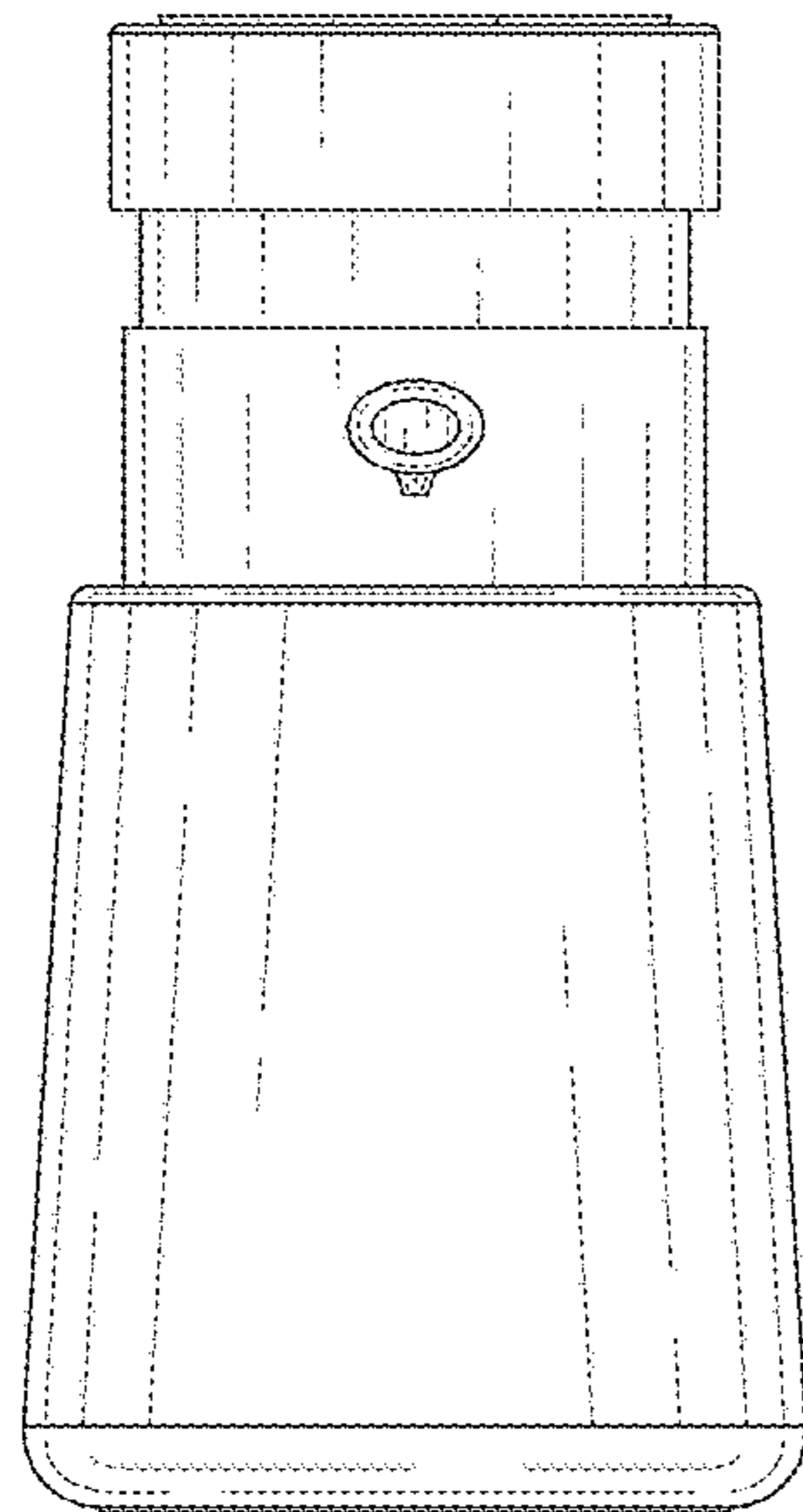


FIG. 2

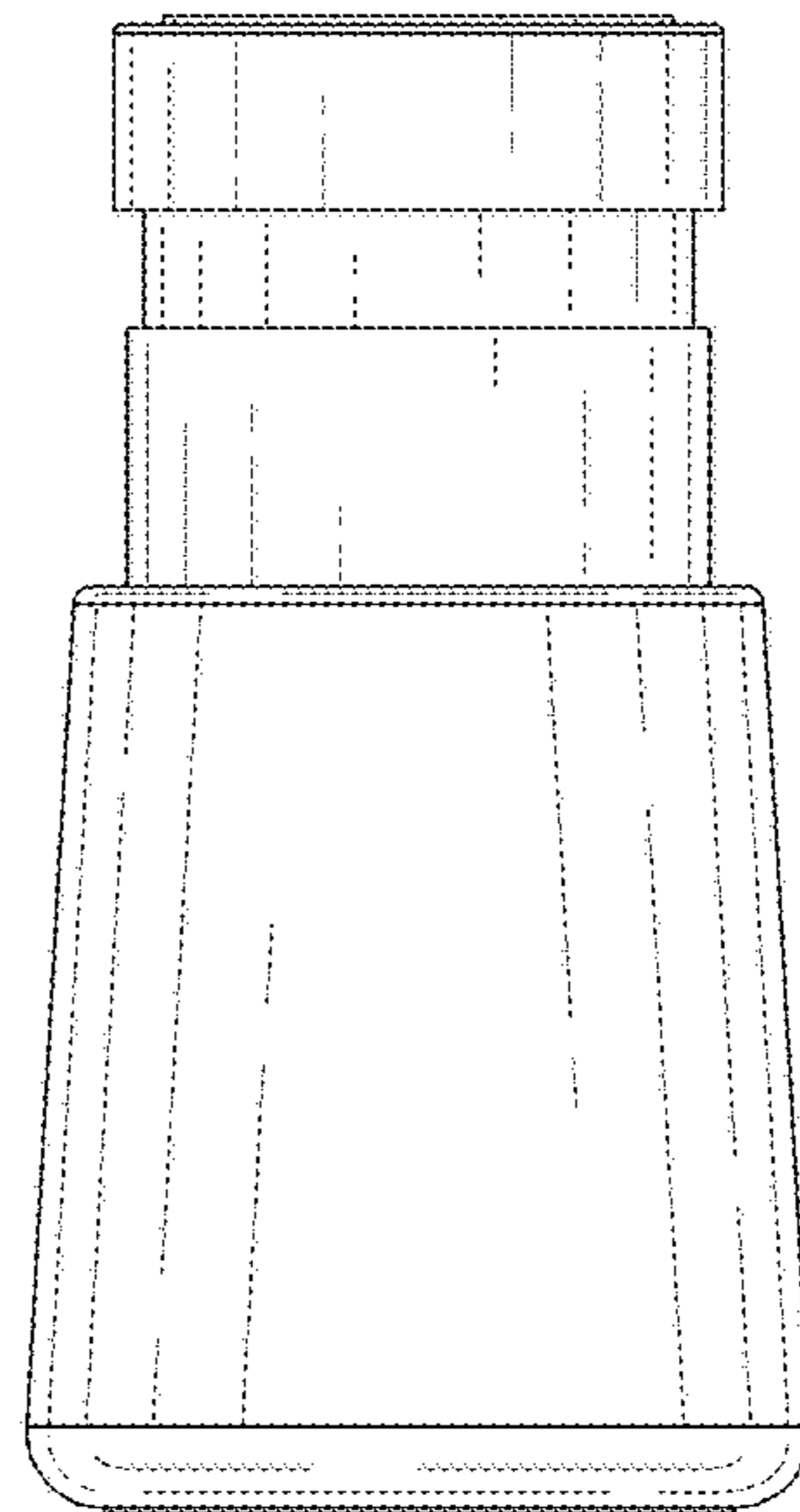


FIG. 3

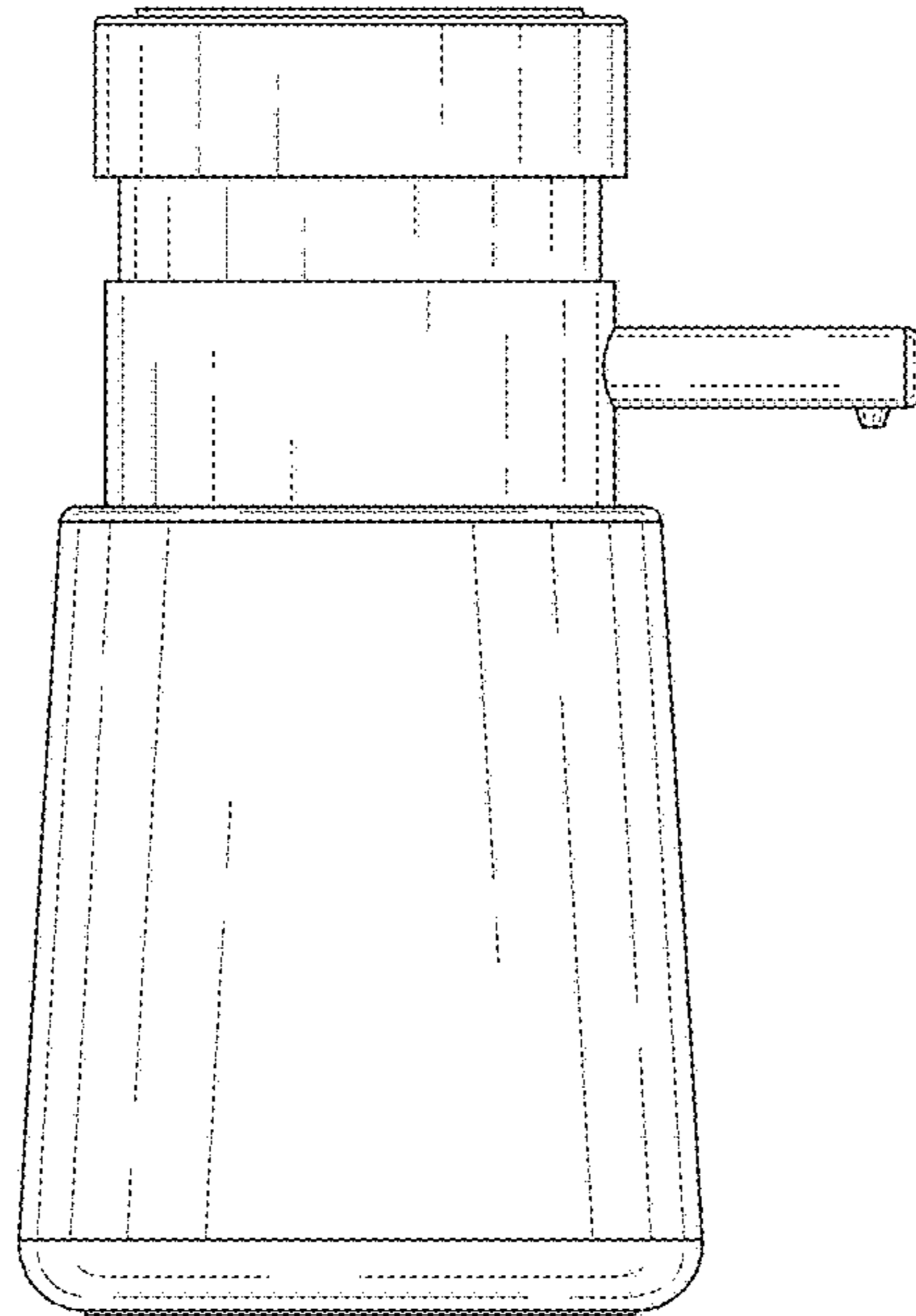


FIG. 4

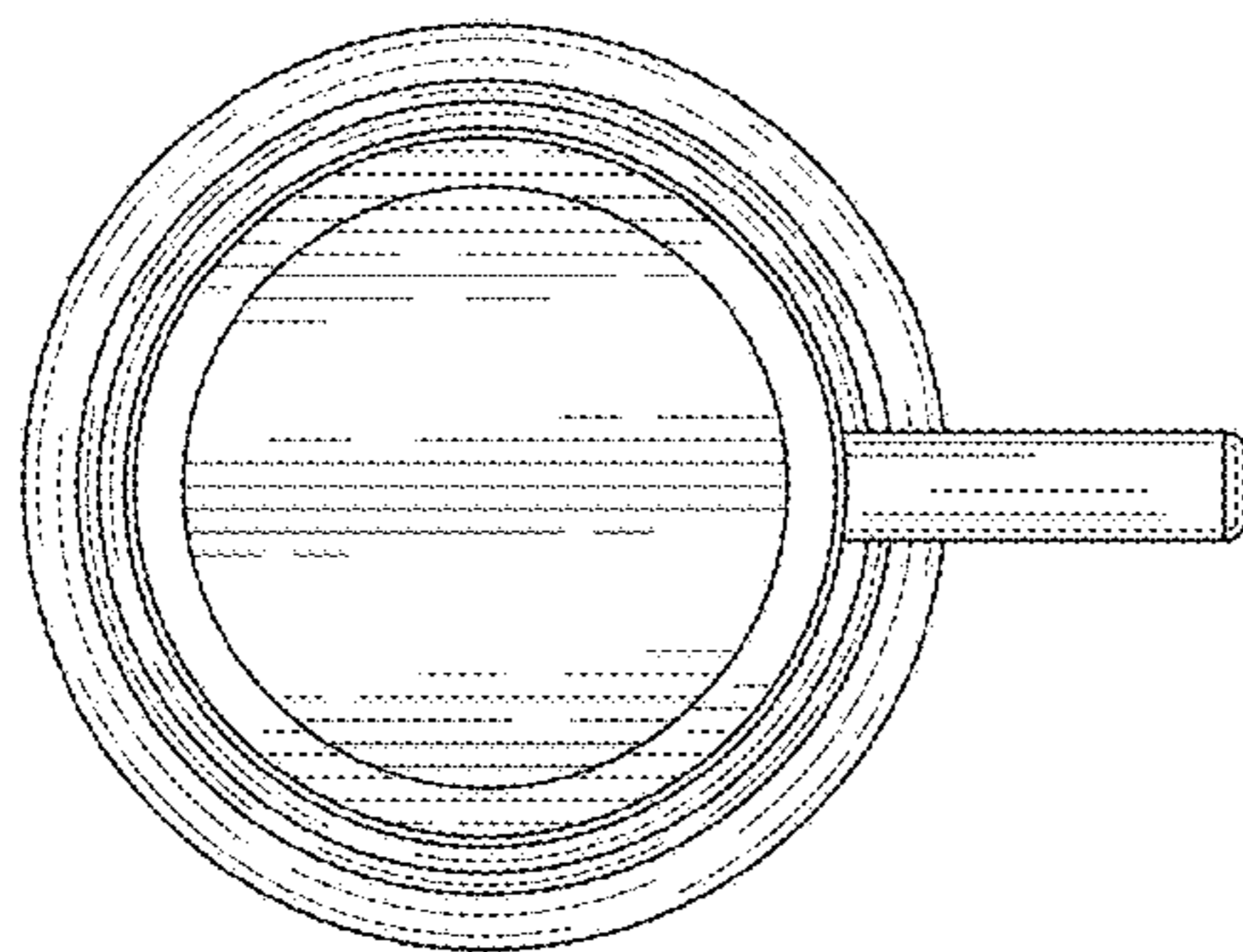


FIG. 5

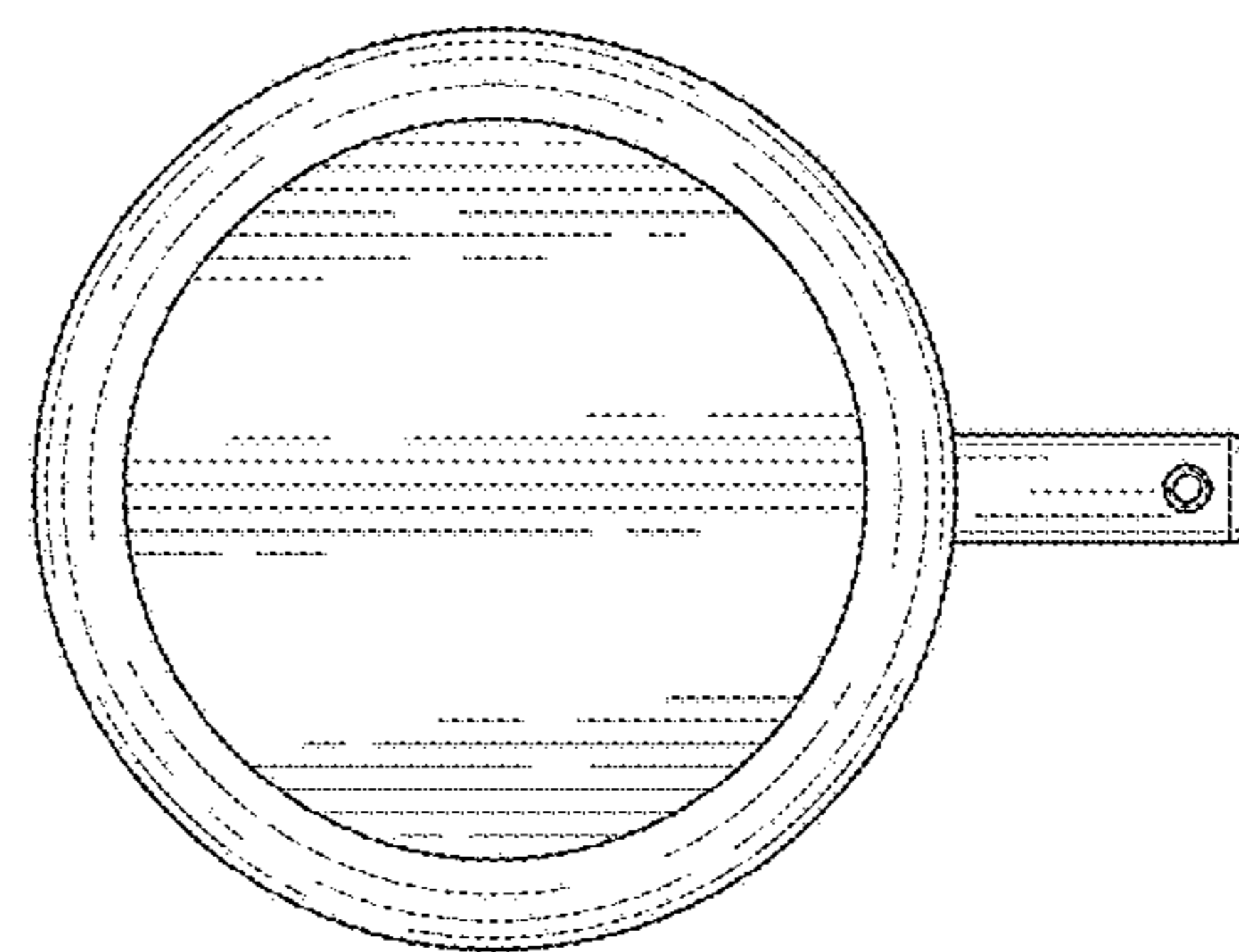


FIG. 6