



US00D868495S

(12) **United States Design Patent** (10) **Patent No.:** **US D868,495 S**  
**Lee** (45) **Date of Patent:** **\*\* Dec. 3, 2019**

(54) **BED FRAME**

(71) Applicant: **Zinus Inc.**, San Leandro, CA (US)

(72) Inventor: **Youn Jae Lee**, Pleasanton, CA (US)

(73) Assignee: **Zinus Inc.**, Tracy, CA (US)

(\*\*) Term: **15 Years**

(21) Appl. No.: **29/623,047**

(22) Filed: **Oct. 22, 2017**

(30) **Foreign Application Priority Data**

Jun. 6, 2017 (CN) ..... 2017 3 0224603

(51) **LOC (12) Cl.** ..... **06-02**

(52) **U.S. Cl.**  
USPC ..... **D6/393**

(58) **Field of Classification Search**  
USPC ..... D6/382-384, 392, 393-395, 718.13  
CPC ..... A47C 17/02; A47C 17/50; A47C 19/00;  
A47C 19/005; A47C 19/021; A47C  
19/022; A47C 19/025; A47C 19/04; A47C  
19/12  
See application file for complete search history.

(56) **References Cited**

**U.S. PATENT DOCUMENTS**

D146,379 S \* 2/1947 Obrig ..... D6/393  
D370,135 S \* 5/1996 Meiners ..... D6/382

D376,276 S \* 12/1996 Good ..... D6/382  
D495,519 S \* 9/2004 Magistretti ..... D6/384  
D495,521 S \* 9/2004 Dordoni ..... D6/393  
D526,140 S \* 8/2006 Cook ..... D6/393

**OTHER PUBLICATIONS**

Zinus Tucson Metal and Wood Platform Bed, by Allie M. Harper, Apartment Therapy, May 3, 2017, site visited Jun. 17, 2019, available online at <https://www.apartmenttherapy.com/9-of-our-favorite-platform-beds-244881> (Year: 2017).\*

\* cited by examiner

*Primary Examiner* — Cathron C Brooks

(74) *Attorney, Agent, or Firm* — Imperium Patent Works; Darien K. Wallace

(57) **CLAIM**

The ornamental design for the bed frame, as shown and described.

**DESCRIPTION**

FIG. 1 is a front oblique perspective view of a bed frame showing my new design.

FIG. 2 is a front elevation view showing my new design.

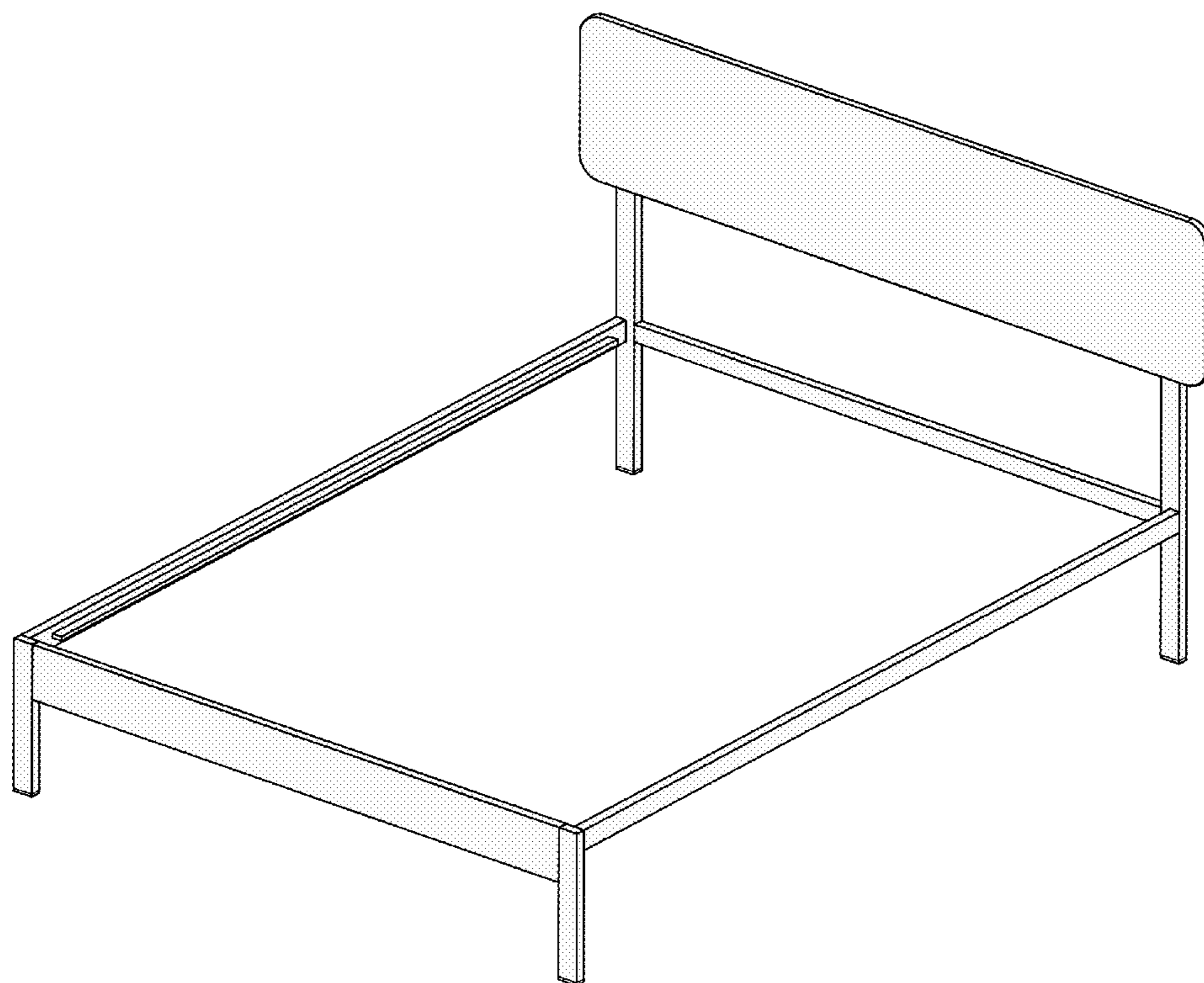
FIG. 3 is a left side elevation view thereof; the right side elevation view (not shown) being a mirror image thereof.

FIG. 4 is a back elevation view thereof; and,

FIG. 5 is a top plan view thereof.

The broken lines in the figures illustrate portions of the bed frame that form no part of the claimed design.

**1 Claim, 5 Drawing Sheets**



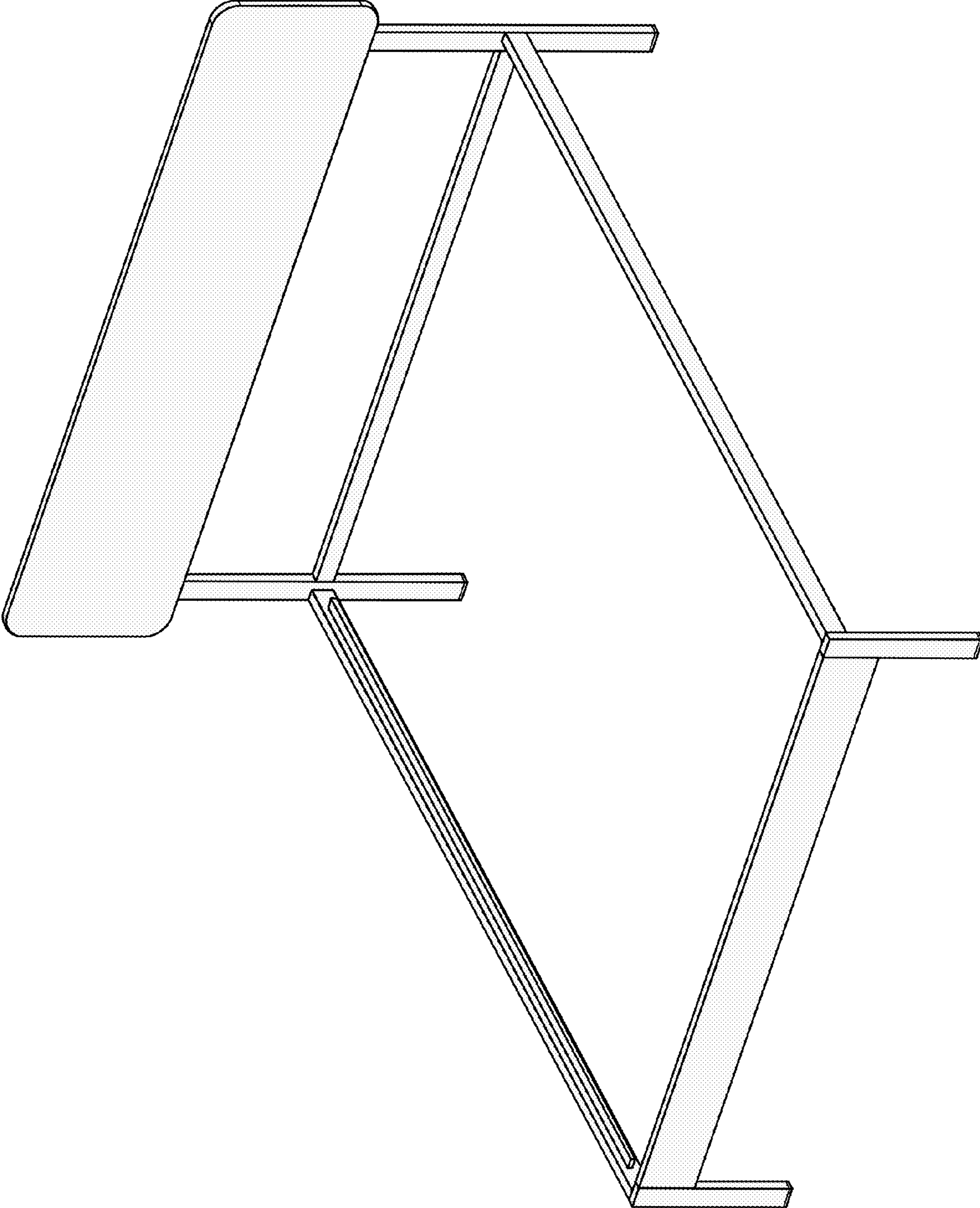


FIG. 1

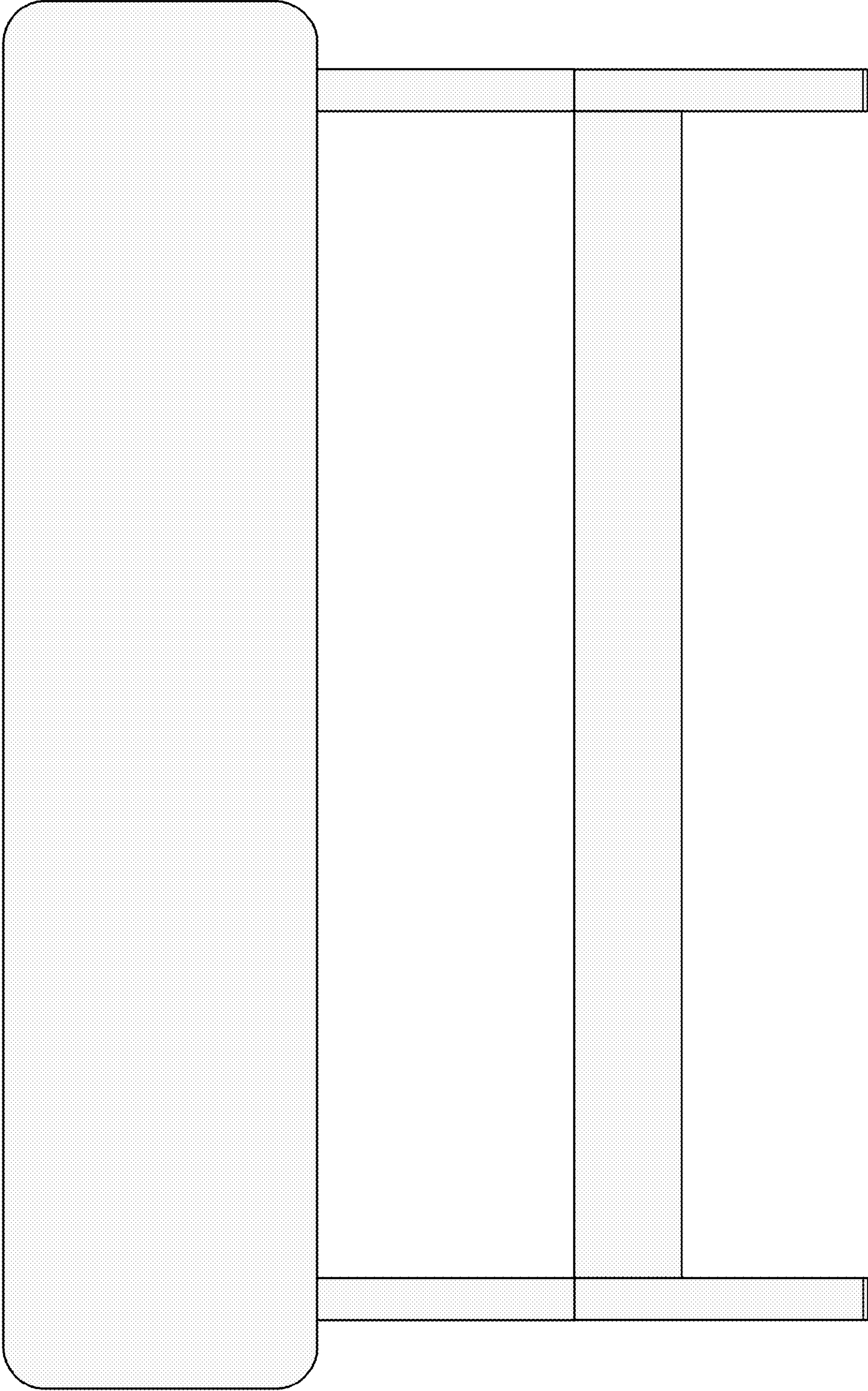


FIG. 2

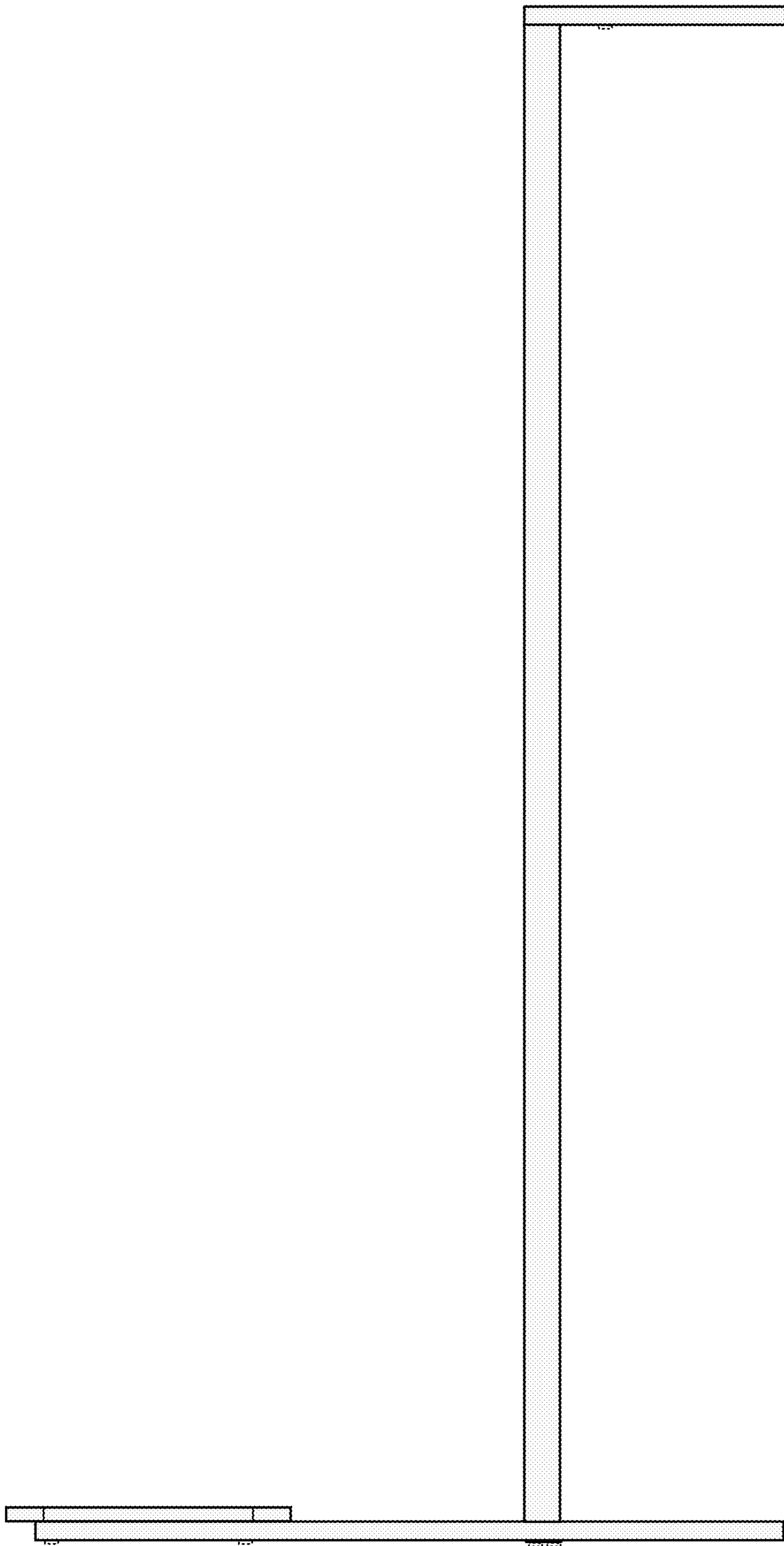


FIG. 3

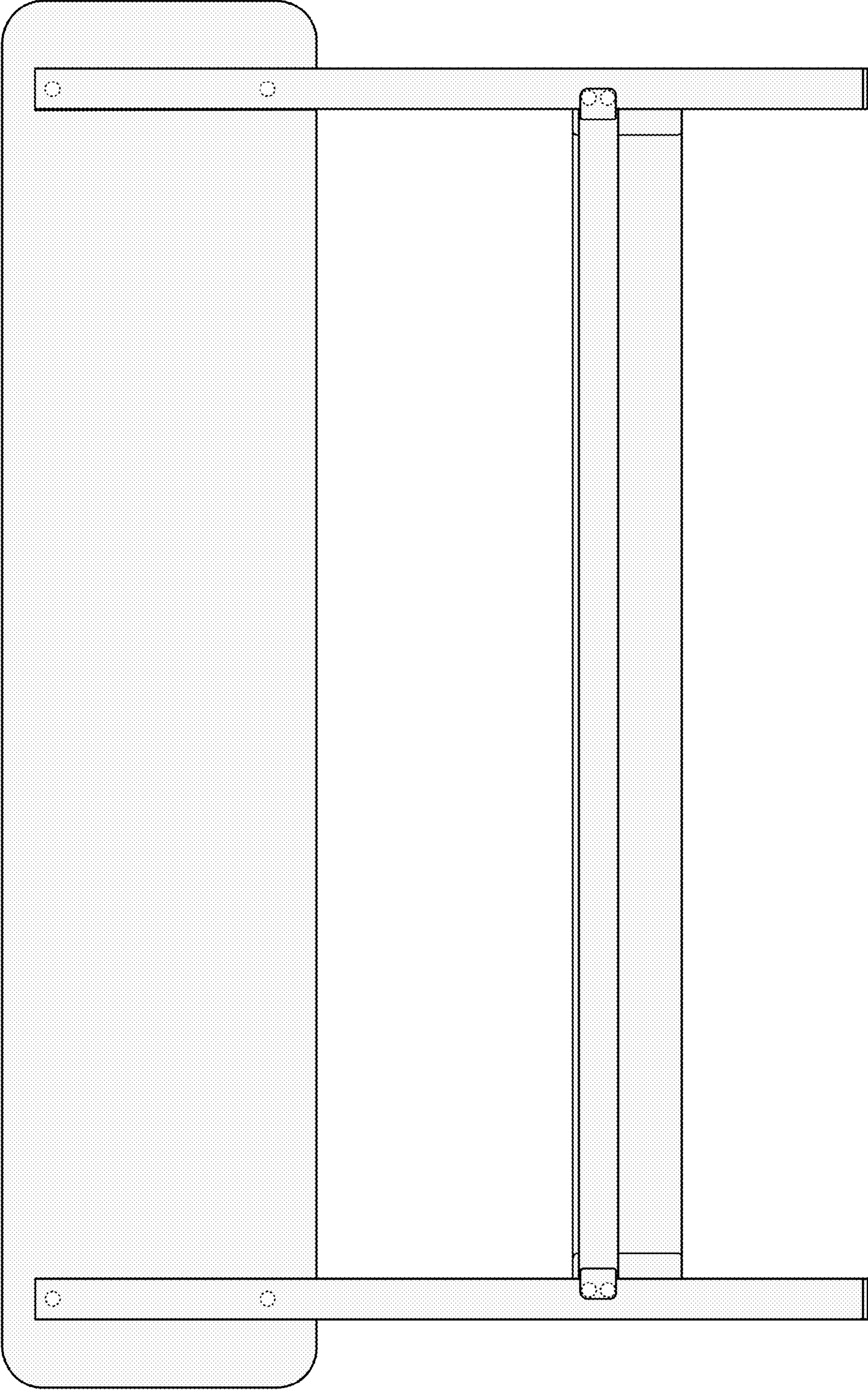


FIG. 4

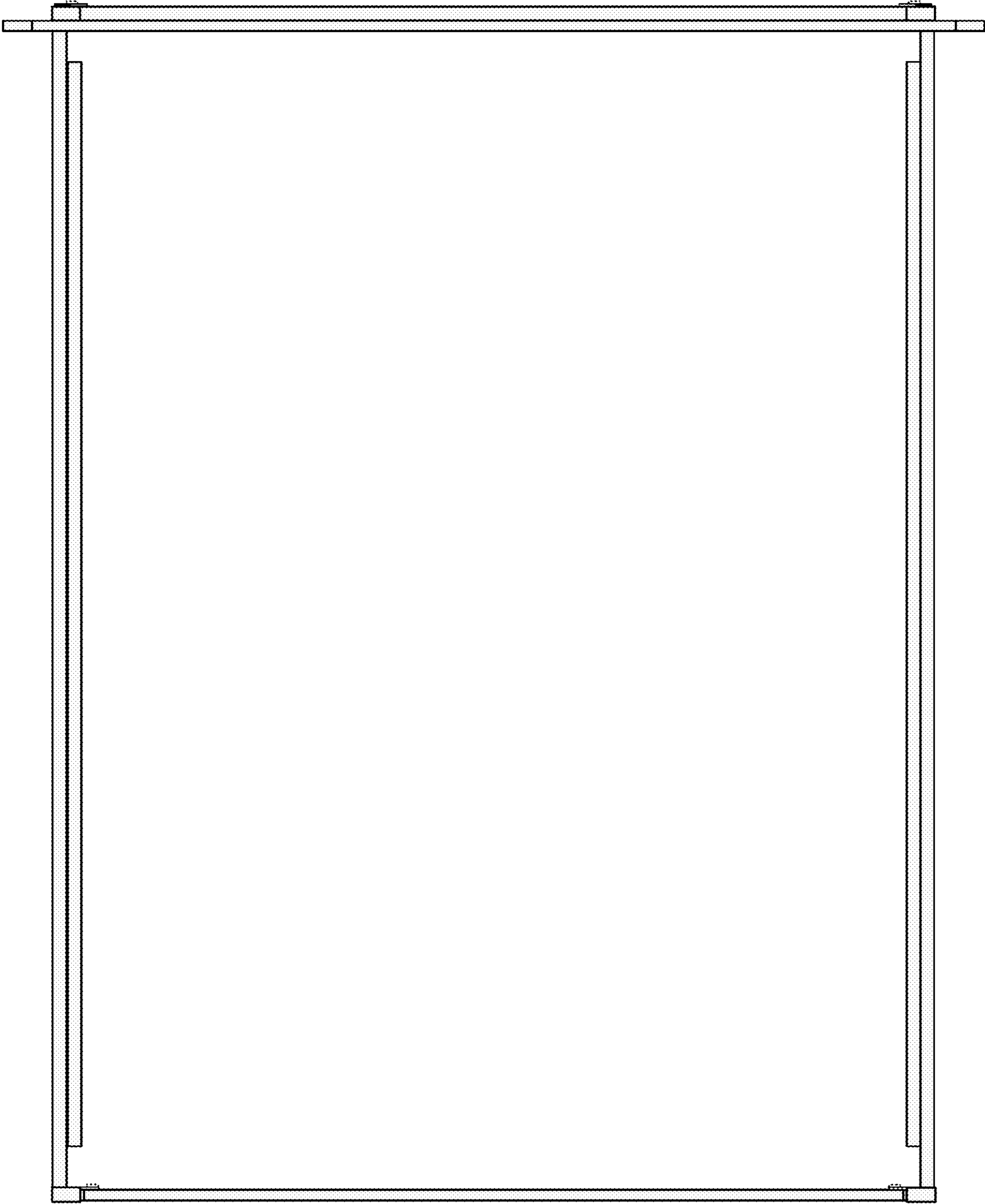


FIG. 5