



US00D868493S

(12) **United States Design Patent**
Chang

(10) **Patent No.:** **US D868,493 S**
(45) **Date of Patent:** **** Dec. 3, 2019**

(54) **SHOWER CHAIR**

(71) Applicant: **Shih-Kuo Chang**, Tainan (TW)

(72) Inventor: **Shih-Kuo Chang**, Tainan (TW)

(**) Term: **15 Years**

(21) Appl. No.: **29/610,860**

(22) Filed: **Jul. 17, 2017**

(51) **LOC (12) Cl.** **06-01**

(52) **U.S. Cl.**
USPC **D6/374**

(58) **Field of Classification Search**
USPC D6/334-336, 349, 367, 368, 374, 379,
D6/380, 716, 716.1, 716.2, 716.4
CPC A47C 4/03; A47C 4/18; A47C 4/20; A47C
5/12; A47C 3/38; A47K 3/12; A47K
3/122; A47K 3/282

See application file for complete search history.

(56) **References Cited**

U.S. PATENT DOCUMENTS

D519,291 S *	4/2006	Higgs	A47K 3/282
				D6/367
D526,517 S *	8/2006	Adams	D6/374
D550,002 S *	9/2007	Genord	D6/374
D552,366 S *	10/2007	Graves	D6/367
D660,042 S *	5/2012	Higgs	D6/374
D666,435 S *	9/2012	Meyers	D6/716
9,763,545 B2 *	9/2017	Liu	A47K 3/122

D812,389 S *	3/2018	Pong	D6/374
2004/0070238 A1 *	4/2004	Moser	A47K 3/282
				297/183.9
2005/0179304 A1 *	8/2005	Serhan	A47K 3/282
				297/440.24

FOREIGN PATENT DOCUMENTS

CA 2737286 A1 * 9/2012 A47K 3/122

* cited by examiner

Primary Examiner — Mimoso De

(74) *Attorney, Agent, or Firm* — Alan D. Kamrath; Karin L. Williams; Mayer & Williams PC

(57) **CLAIM**

The ornamental design for a shower chair, as shown and described.

DESCRIPTION

FIG. 1 is a perspective view of a shower chair showing my design;

FIG. 2 is a front elevational view thereof;

FIG. 3 is a rear elevational view thereof;

FIG. 4 is a left side elevational view thereof;

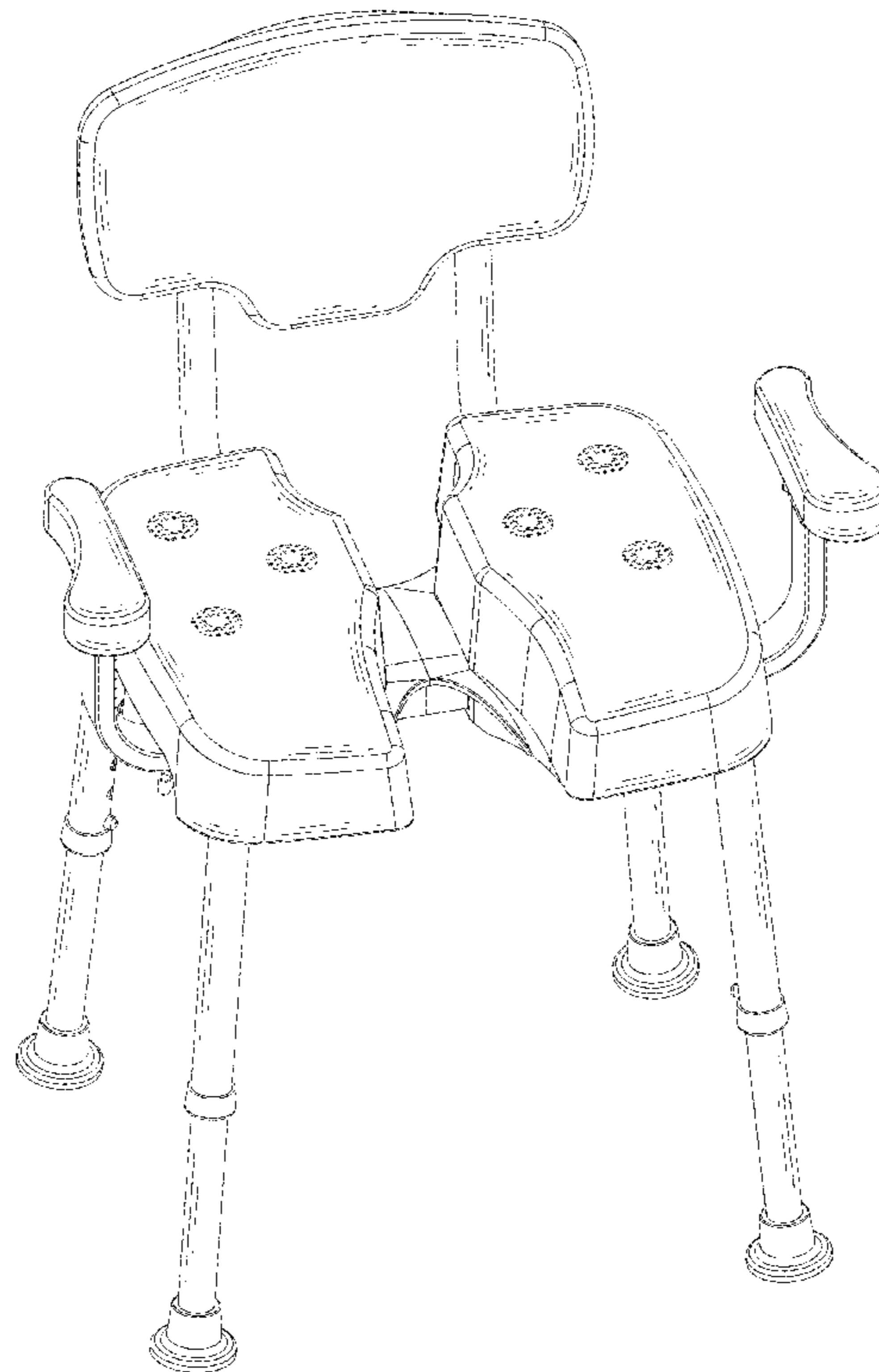
FIG. 5 is a right side elevational view thereof;

FIG. 6 is a top plan view thereof; and,

FIG. 7 is a bottom plan view thereof.

The broken lines illustrate portions of the shower chair that do not form part of the claimed design.

1 Claim, 7 Drawing Sheets



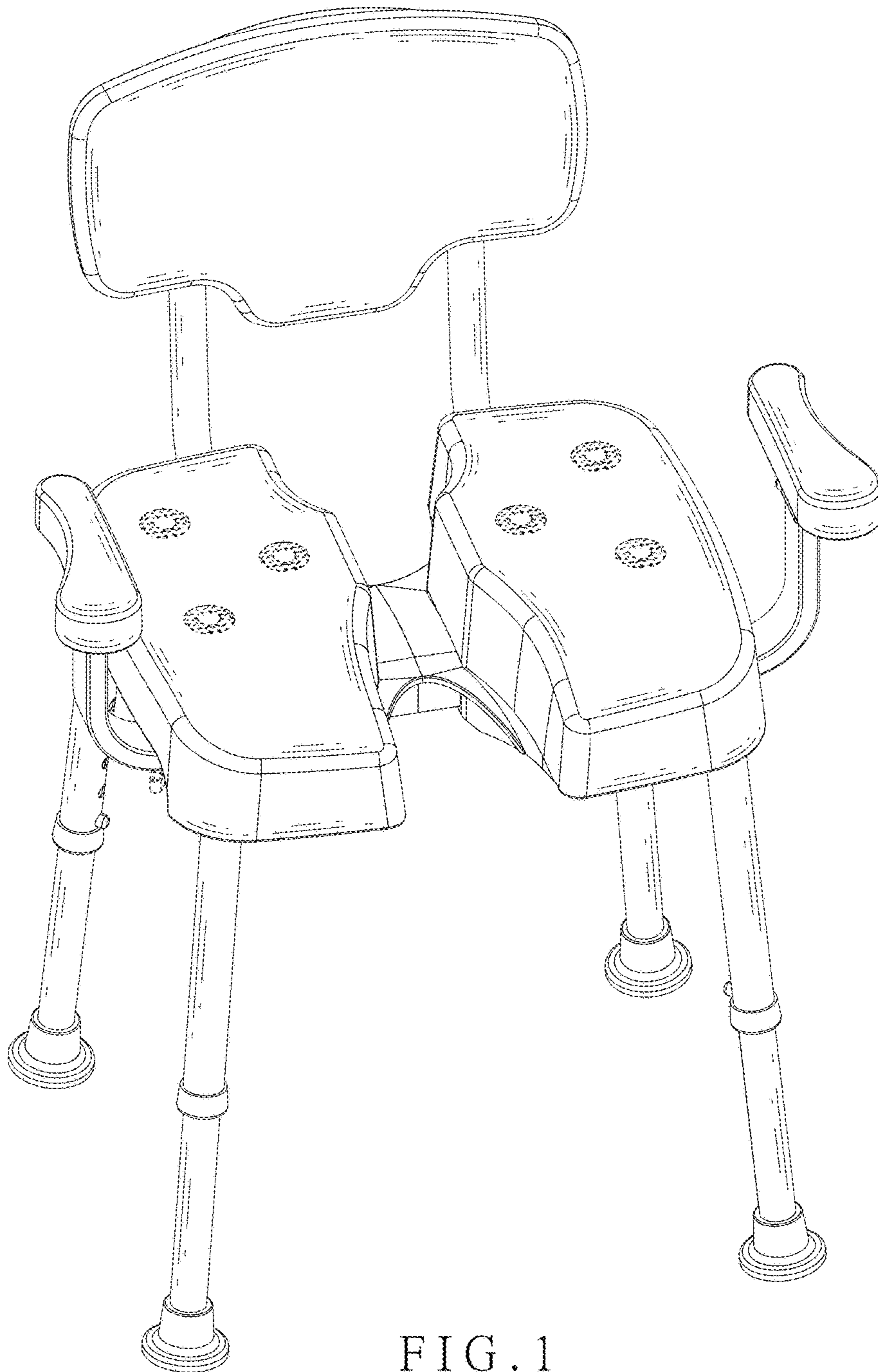


FIG. 1

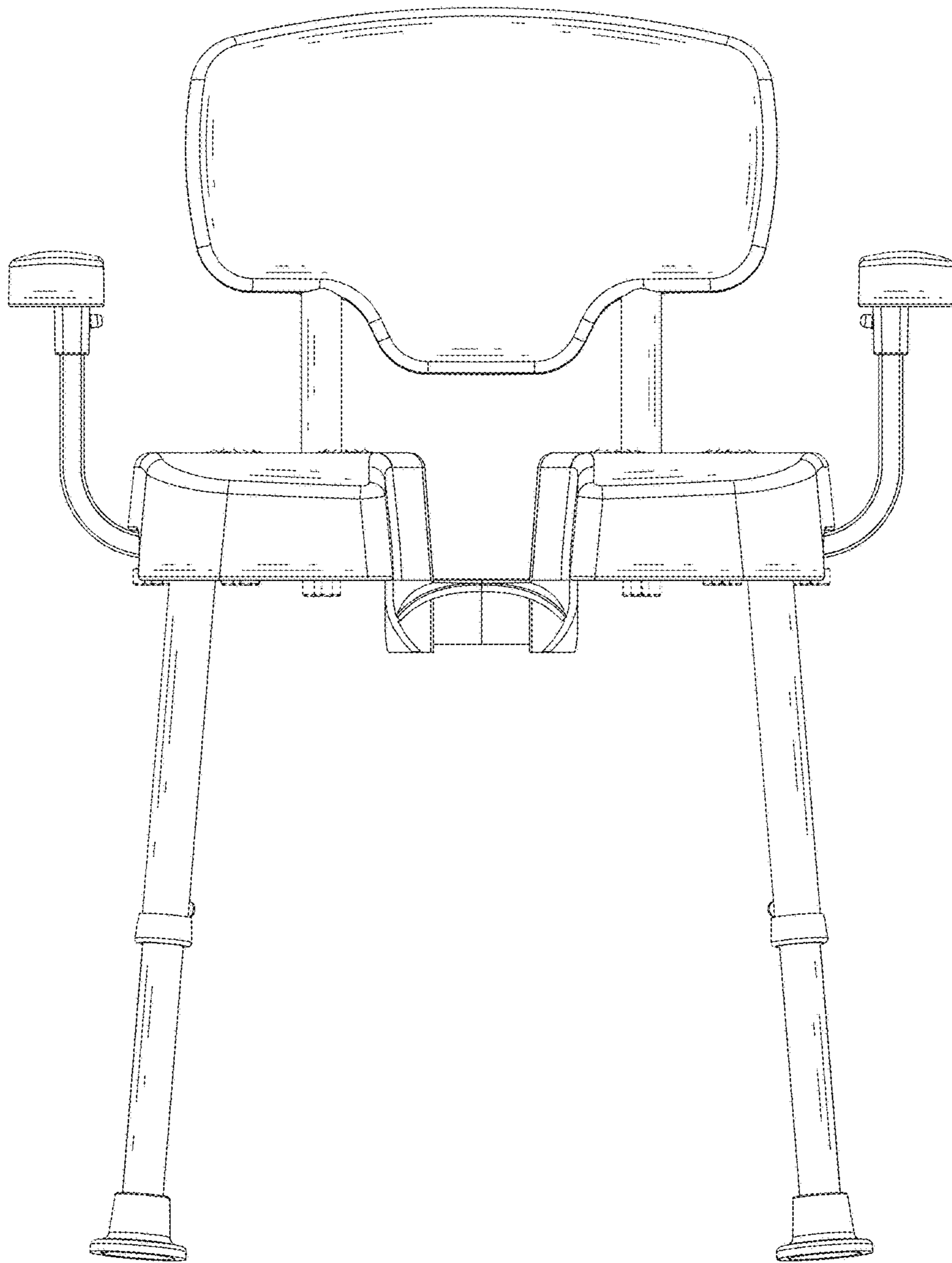


FIG. 2

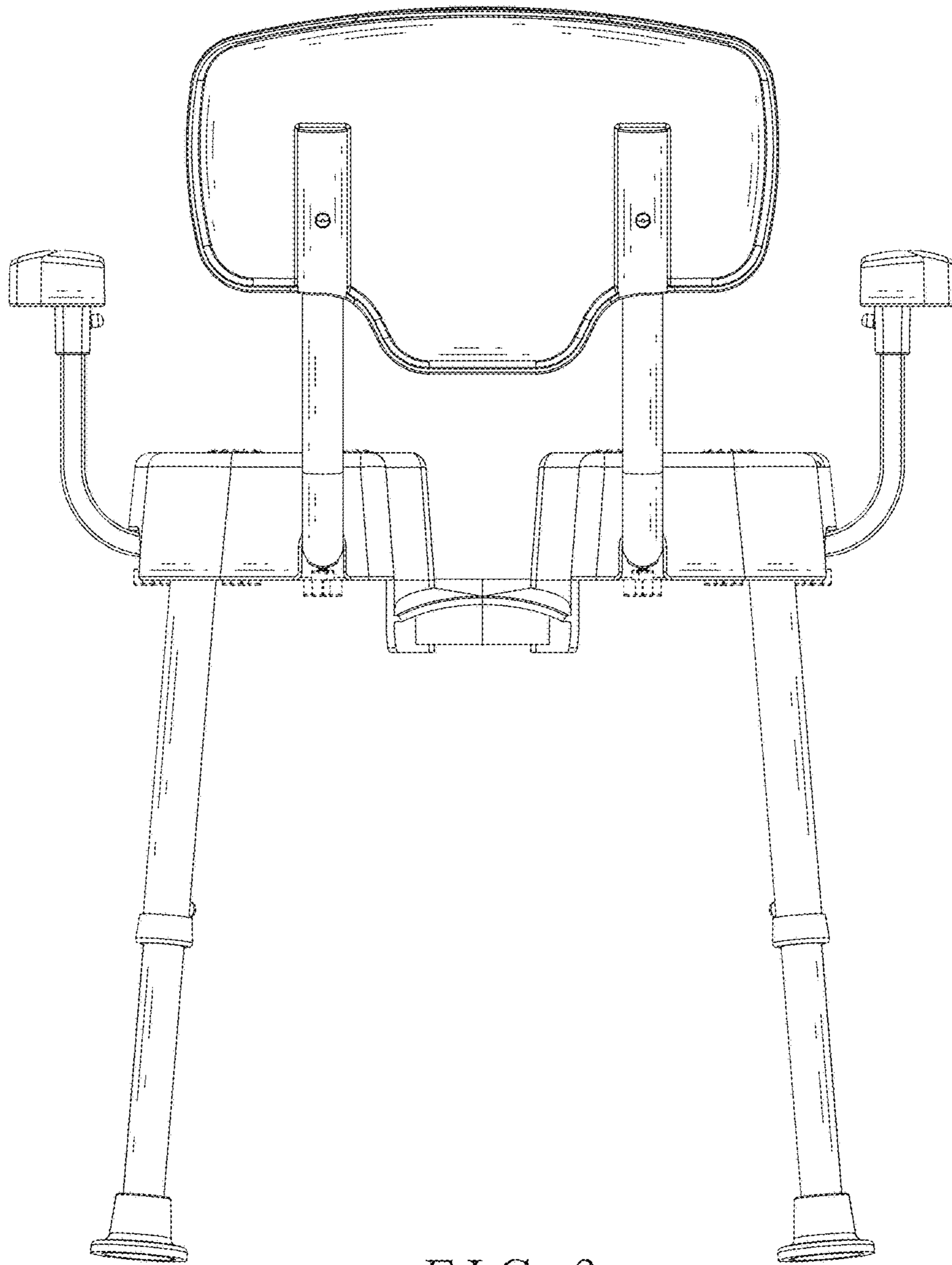


FIG. 3

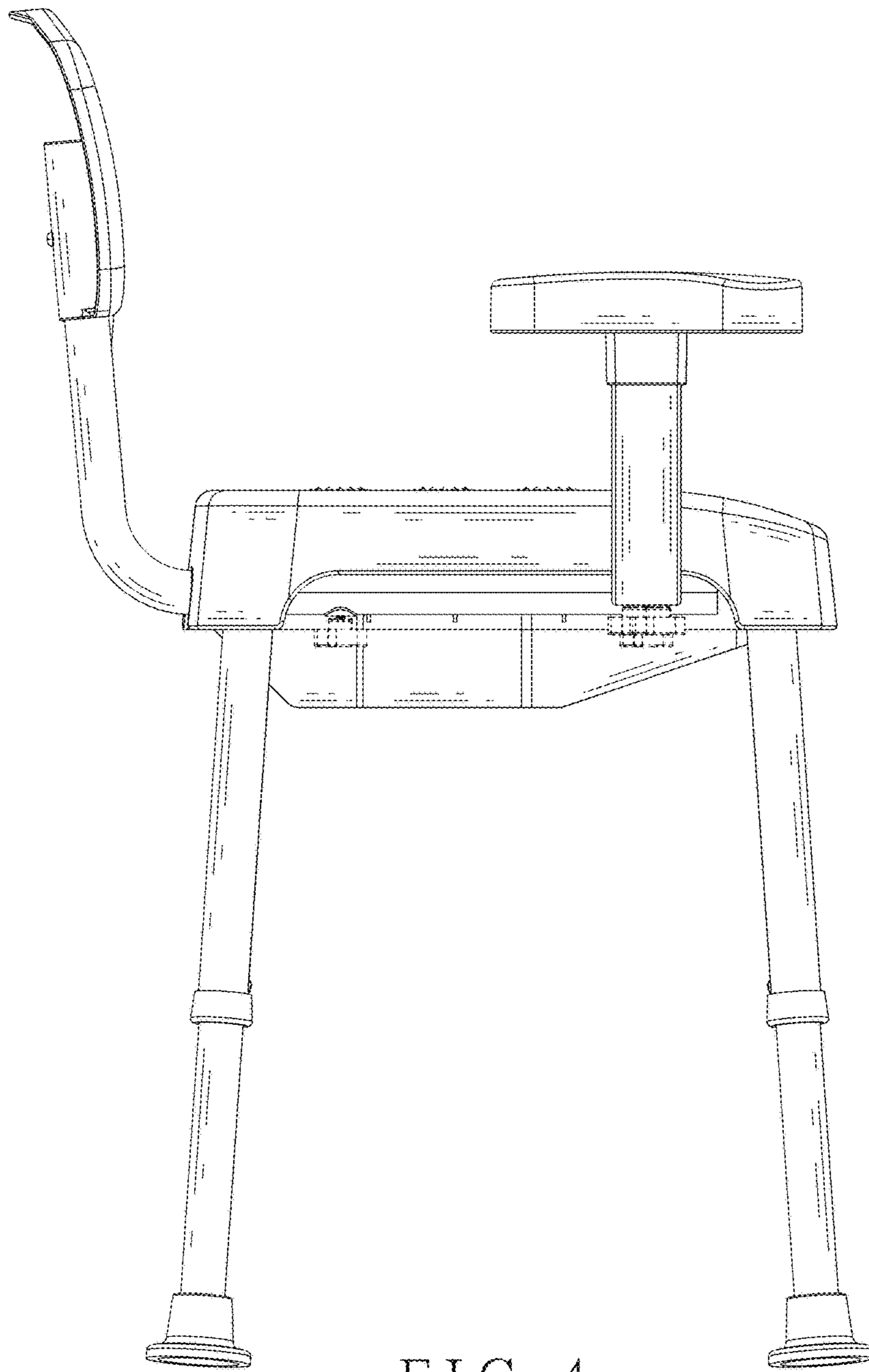


FIG. 4

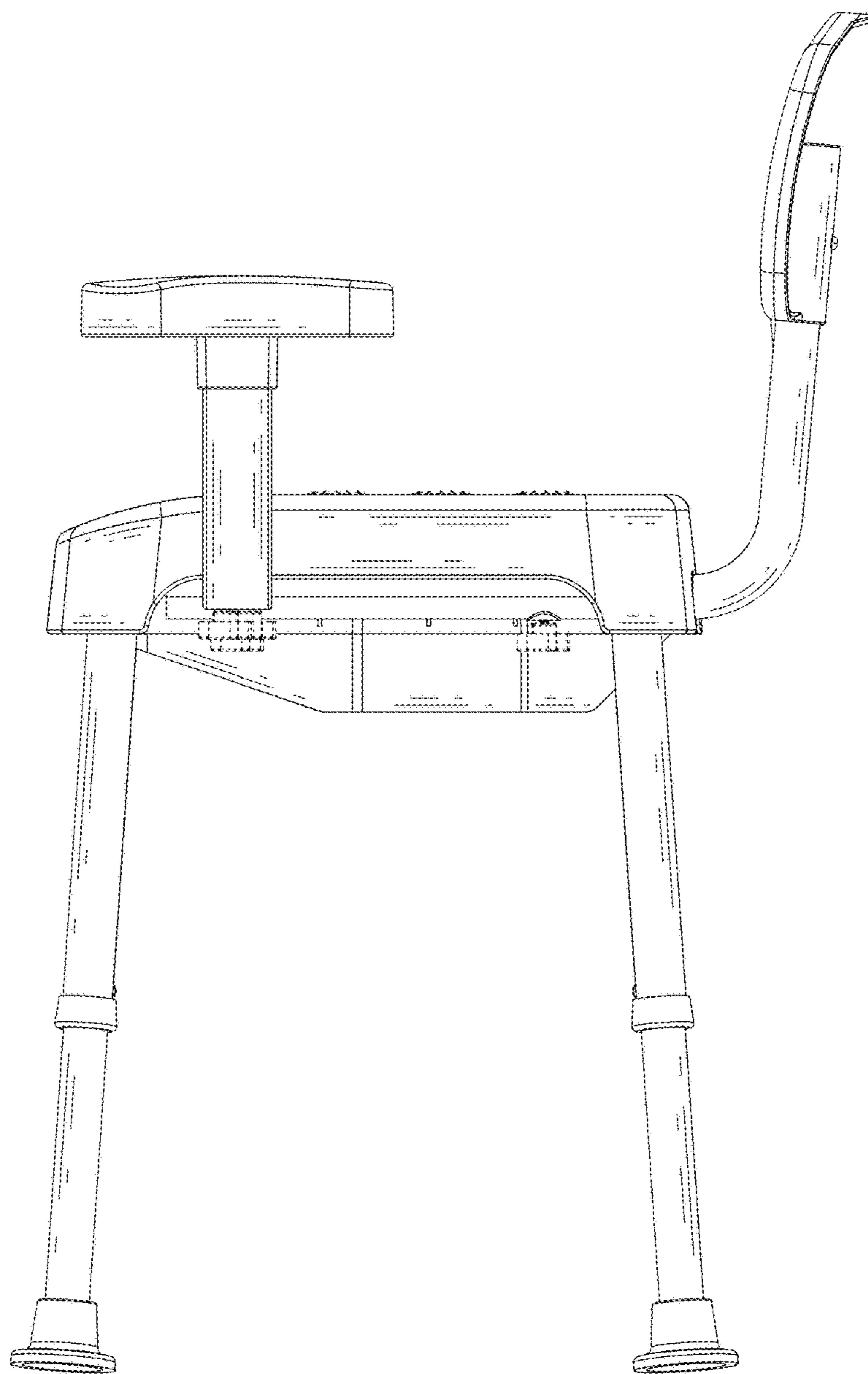


FIG. 5

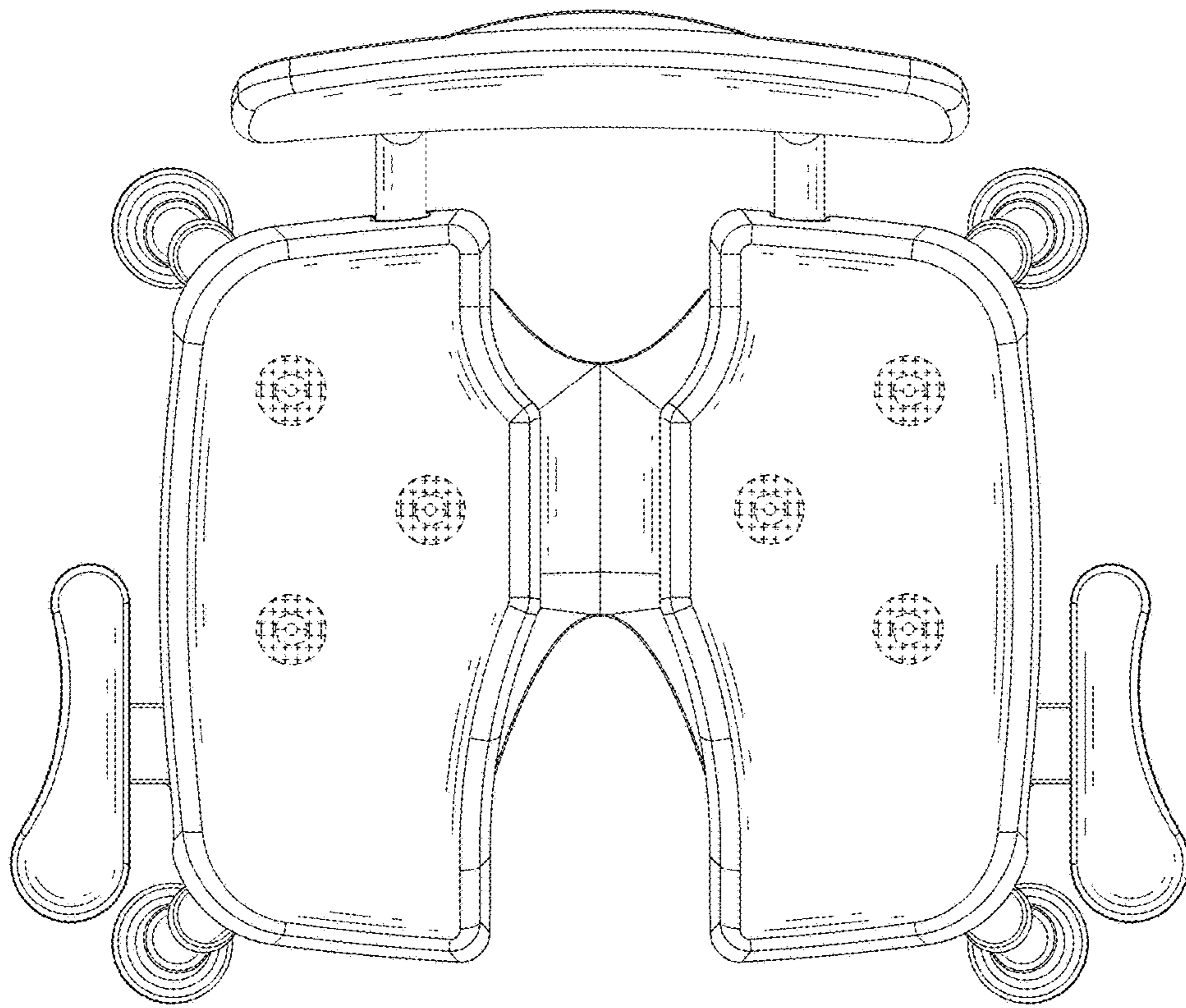


FIG. 6

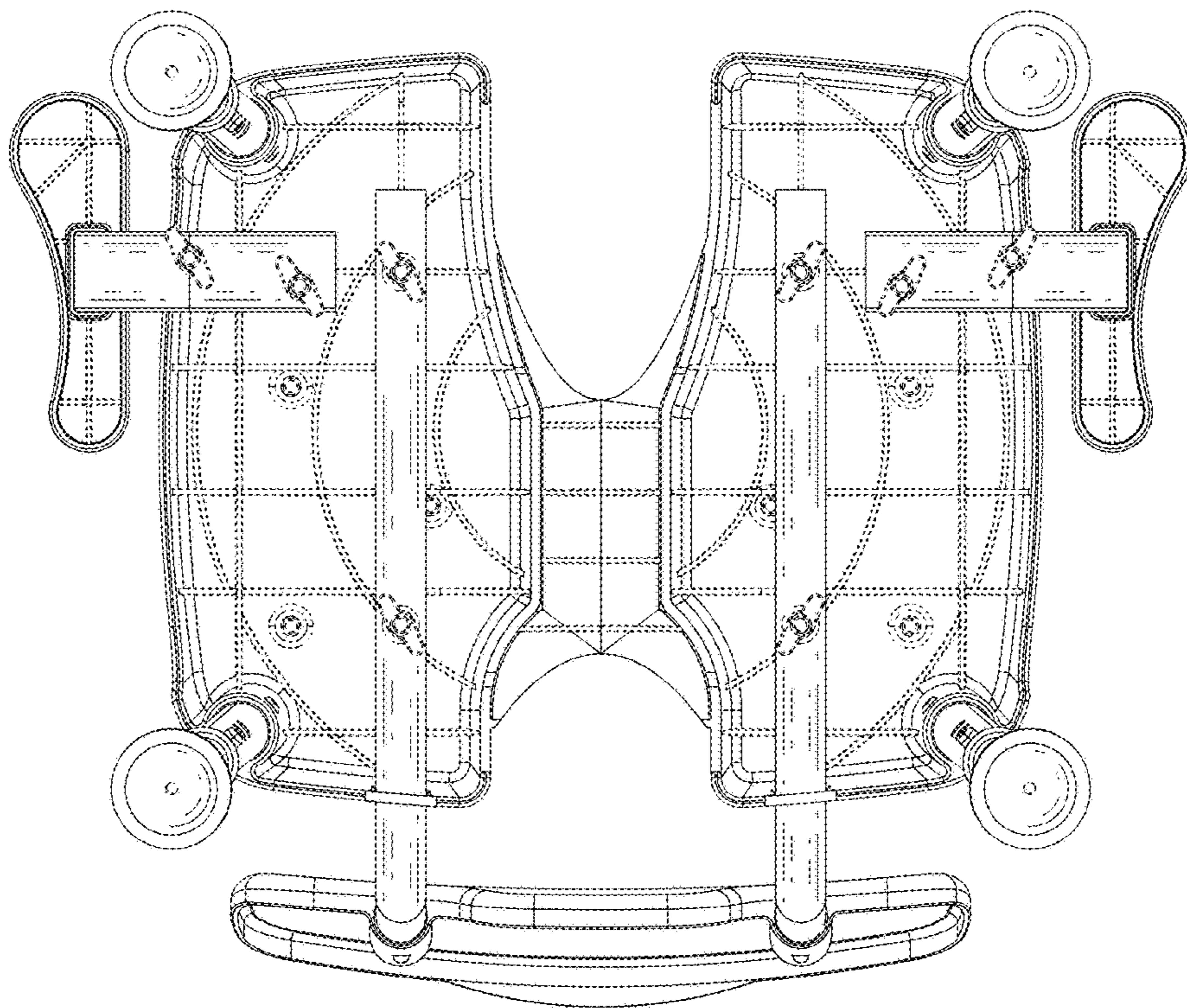


FIG. 7