

US00D868488S

(12) **United States Design Patent** (10) **Patent No.:** **US D868,488 S**
Healy et al. (45) **Date of Patent:** **** Dec. 3, 2019**

(54) **ACTIVITY JUMPER**
(71) Applicant: **Skip Hop, Inc.**, New York, NY (US)
(72) Inventors: **John Healy**, Brooklyn, NY (US);
Benjamin Bearsch, Brooklyn, NY
(US); **Petros Stombolis**, Franklin
Square, NY (US); **Janet Villano**, Jersey
City, NJ (US)

7,438,644 B2 10/2008 Gubitosi et al.
7,614,979 B2 11/2009 Thomson et al.
7,727,076 B2 6/2010 Bapst et al.
7,878,915 B2 2/2011 Myers et al.
D650,207 S 12/2011 Soriano et al.
D650,208 S 12/2011 Soriano et al.
8,070,617 B2 12/2011 Barron et al.
D655,521 S * 3/2012 Zhang D6/344
(Continued)

(73) Assignee: **SKIP HOP, INC.**, New York, NY (US)
(**) Term: **15 Years**

FOREIGN PATENT DOCUMENTS
CN 201238876 5/2009
CN 201822376 5/2011
(Continued)

(21) Appl. No.: **29/616,309**
(22) Filed: **Sep. 5, 2017**
(51) **LOC (12) Cl.** **06-01**
(52) **U.S. Cl.**
USPC **D6/347**
(58) **Field of Classification Search**
USPC D6/331, 333, 339, 340, 341, 342, 344,
D6/345, 347, 348; D21/412, 419, 420
CPC A47D 1/004; A47D 1/008; A47D 1/0081;
A47D 1/04; A47D 1/06; A47D 1/08;
A47D 1/10; A47D 13/102; A47D 13/105;
A47D 13/107; A47D 3/001
See application file for complete search history.

OTHER PUBLICATIONS

Skip Hop Jumpscape, posted at Youtube.com, posted on Oct. 26,
2017, site visited Apr. 7, 2019. online, available from internet:
<https://www.youtube.com/watch?v=P3Fc0SzgA88> (Year: 2017).*
(Continued)

Primary Examiner — Mary Ann Calabrese
Assistant Examiner — Catherine Ho
(74) *Attorney, Agent, or Firm* — Stephen J. Weyer, Esq.;
James R. Hayne, Esq.; Stites & Harbison, PLLC

(57) **CLAIM**
The ornamental design for an activity jumper, as shown and
described.

(56) **References Cited**

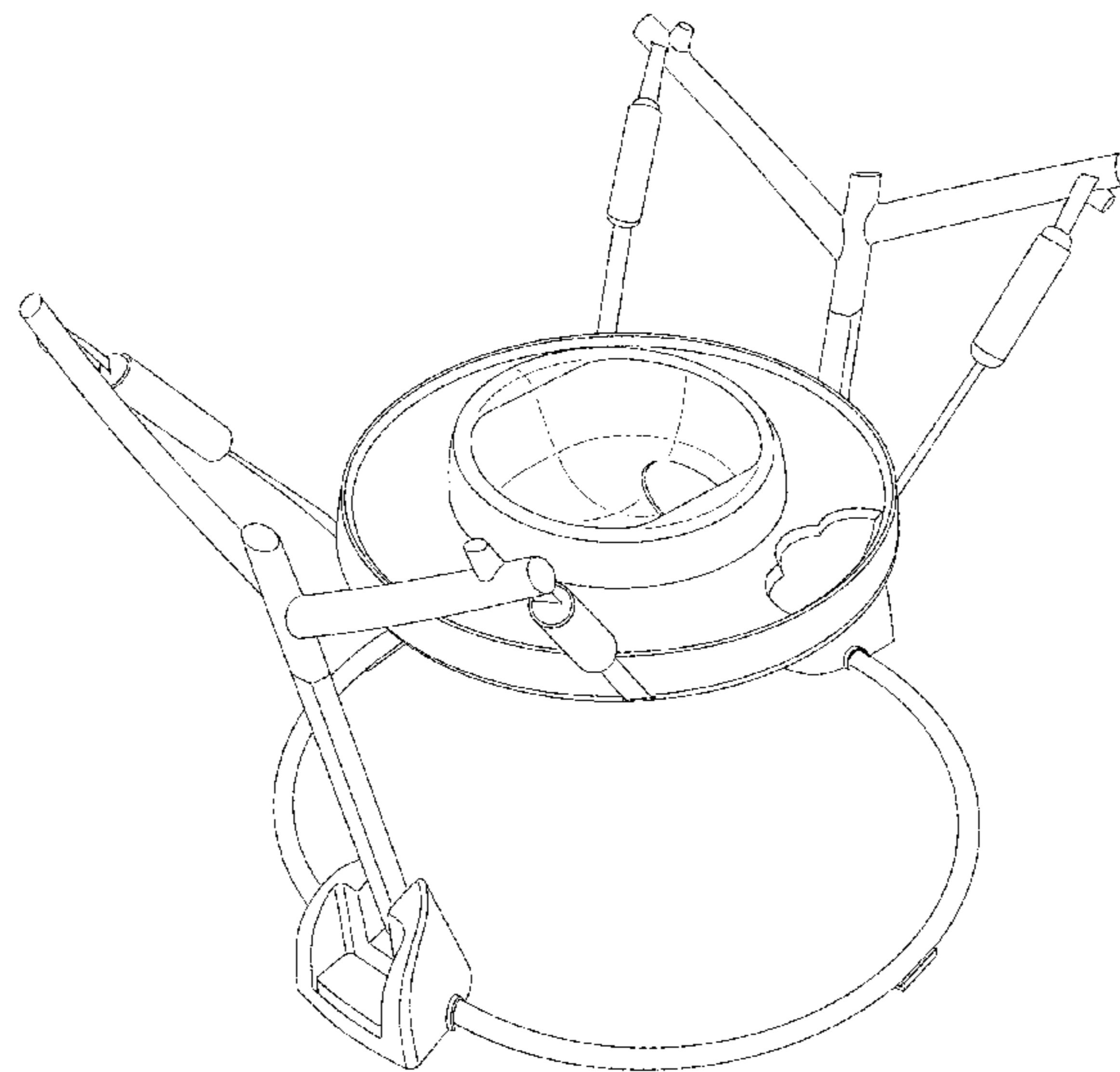
U.S. PATENT DOCUMENTS

5,499,949 A 3/1996 Heubl
5,518,475 A 5/1996 Garland
D376,052 S * 12/1996 Cone D6/333
5,690,383 A 11/1997 Meeker
D391,309 S * 2/1998 Meeker D21/412
5,728,030 A 3/1998 Hsieh
5,857,944 A 1/1999 Cone et al.
6,932,709 B1 8/2005 Gubitosi et al.
6,994,630 B2 2/2006 Paesang
7,182,993 B1 2/2007 Hamilton

DESCRIPTION

FIG. 1 is a top, front, and left side perspective view of an
activity jumper showing our new design.
FIG. 2 is a top plan view thereof.
FIG. 3 is a right side view thereof.
FIG. 4 is a left side view thereof.
FIG. 5 is a front elevation view thereof; and,
FIG. 6 is a rear elevation view thereof.

1 Claim, 6 Drawing Sheets



(56)

References Cited

U.S. PATENT DOCUMENTS

8,182,355 B2 5/2012 Bapst et al.
 8,267,803 B2 9/2012 Trapp et al.
 8,357,054 B2 1/2013 Myers et al.
 D675,454 S 2/2013 Soriano et al.
 D685,197 S * 7/2013 Soriano D6/347
 8,702,526 B2 4/2014 Myers et al.
 8,708,875 B2 * 4/2014 Prohaska A63B 5/00
 297/274
 8,845,441 B2 9/2014 Trapp et al.
 8,951,132 B2 2/2015 Xu
 8,968,110 B2 3/2015 Bapst et al.
 9,010,711 B2 4/2015 Pleiman et al.
 9,144,324 B1 9/2015 Champagne et al.
 9,204,733 B2 12/2015 Welch et al.
 9,615,673 B2 * 4/2017 Burns A47D 1/008
 10,244,872 B2 * 4/2019 Thomson A47D 1/004
 2003/0071496 A1 * 4/2003 Bellows A47D 1/008
 297/137
 2005/0264088 A1 12/2005 Tadin et al.
 2008/0012409 A1 1/2008 Chen et al.
 2009/0033133 A1 * 2/2009 Barron A47D 13/105
 297/274
 2009/0200841 A1 8/2009 Rhoten
 2010/0231015 A1 9/2010 Lundeen
 2012/0178544 A1 * 7/2012 Horst A47D 13/105
 472/118

2013/0093227 A1 * 4/2013 Mendes A47D 13/107
 297/274
 2013/0143681 A1 * 6/2013 Myers A47D 13/105
 472/118
 2013/0154324 A1 * 6/2013 Xu C04B 35/62889
 297/259.3
 2013/0306826 A1 * 11/2013 Pleiman A47B 81/00
 248/423
 2013/0319884 A1 12/2013 Gomez
 2015/0282641 A1 10/2015 Crane et al.
 2016/0286977 A1 * 10/2016 Thomson A47D 1/004
 2017/0232355 A1 * 8/2017 Healy A47D 3/001
 446/227
 2019/0069692 A1 * 3/2019 Healy A63H 33/006

FOREIGN PATENT DOCUMENTS

CN 105 231 725 1/2016
 EP 3075283 A1 * 10/2016 A47D 1/004
 WO WO-2010006472 1/2010

OTHER PUBLICATIONS

Skip Hop Explore, posted at Youtube.com, posted on Sep. 1, 2016, site visited Apr. 7, 2019. online, available from internet: <https://www.youtube.com/watch?v=S4cMoM2nzp8> (Year: 2016).*
 Preliminary European Search Report dated Nov. 20, 2018 in corresponding European Patent Application No. 18 18 1120.

* cited by examiner

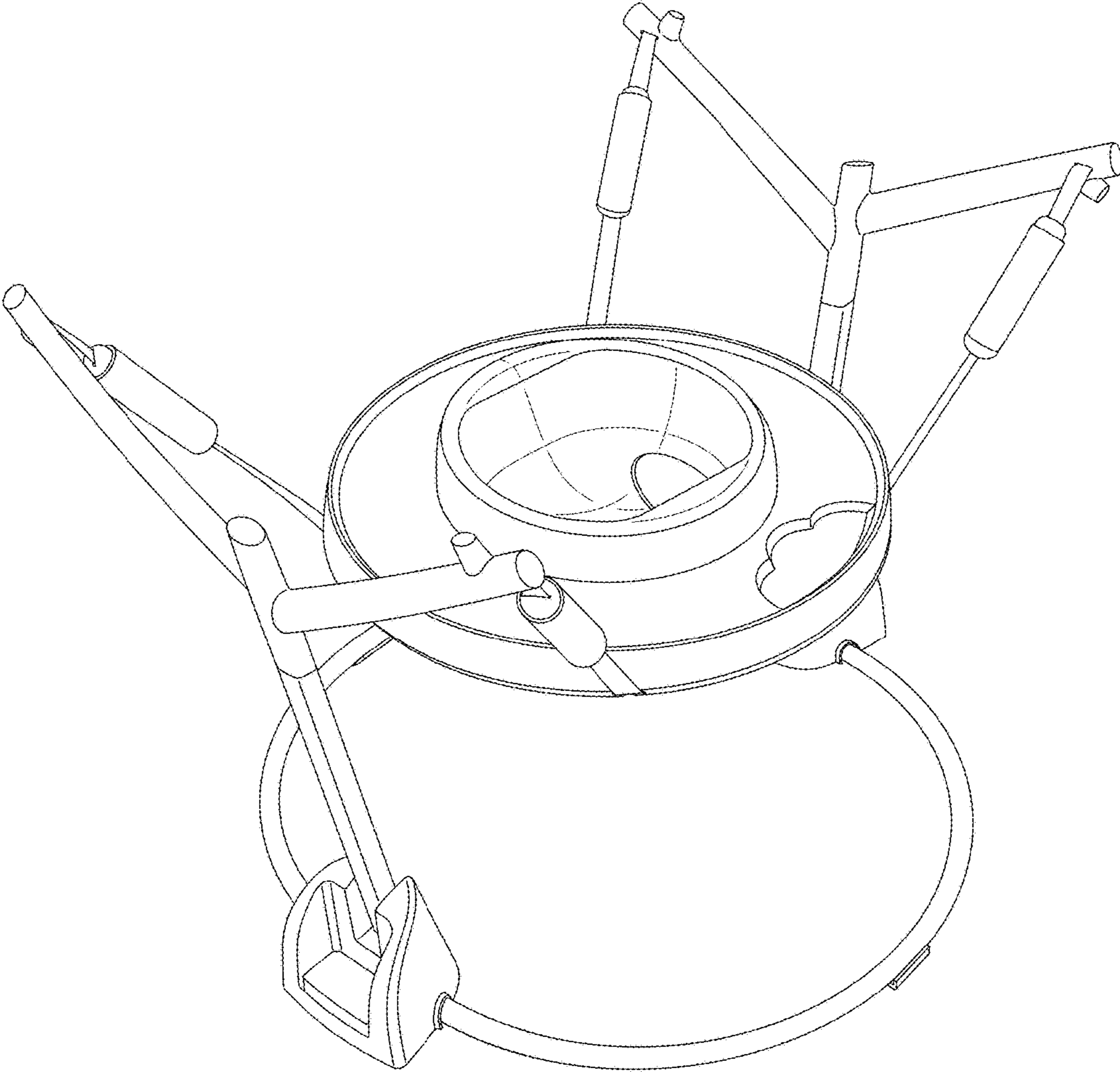


FIG. 1

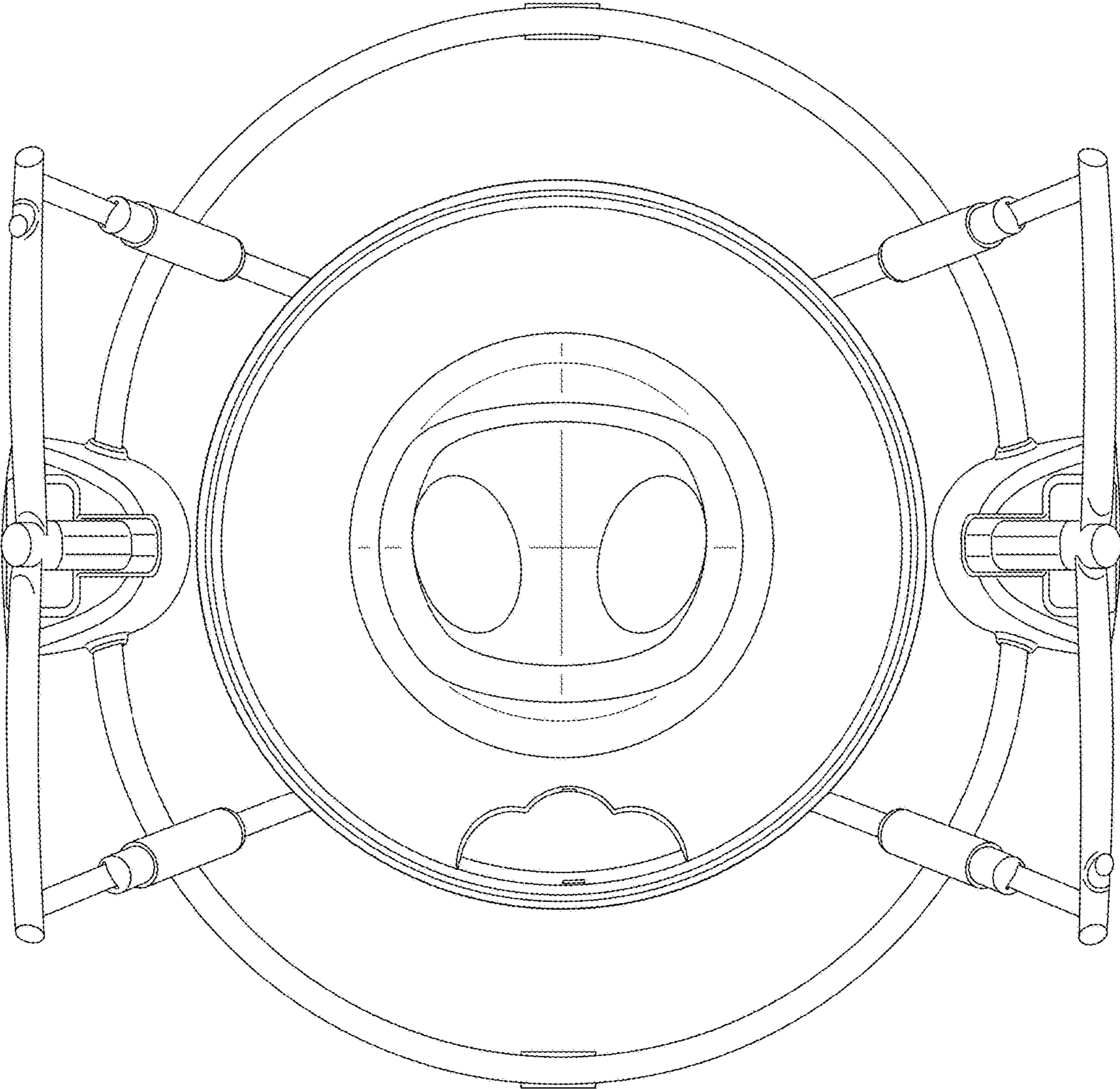


FIG. 2

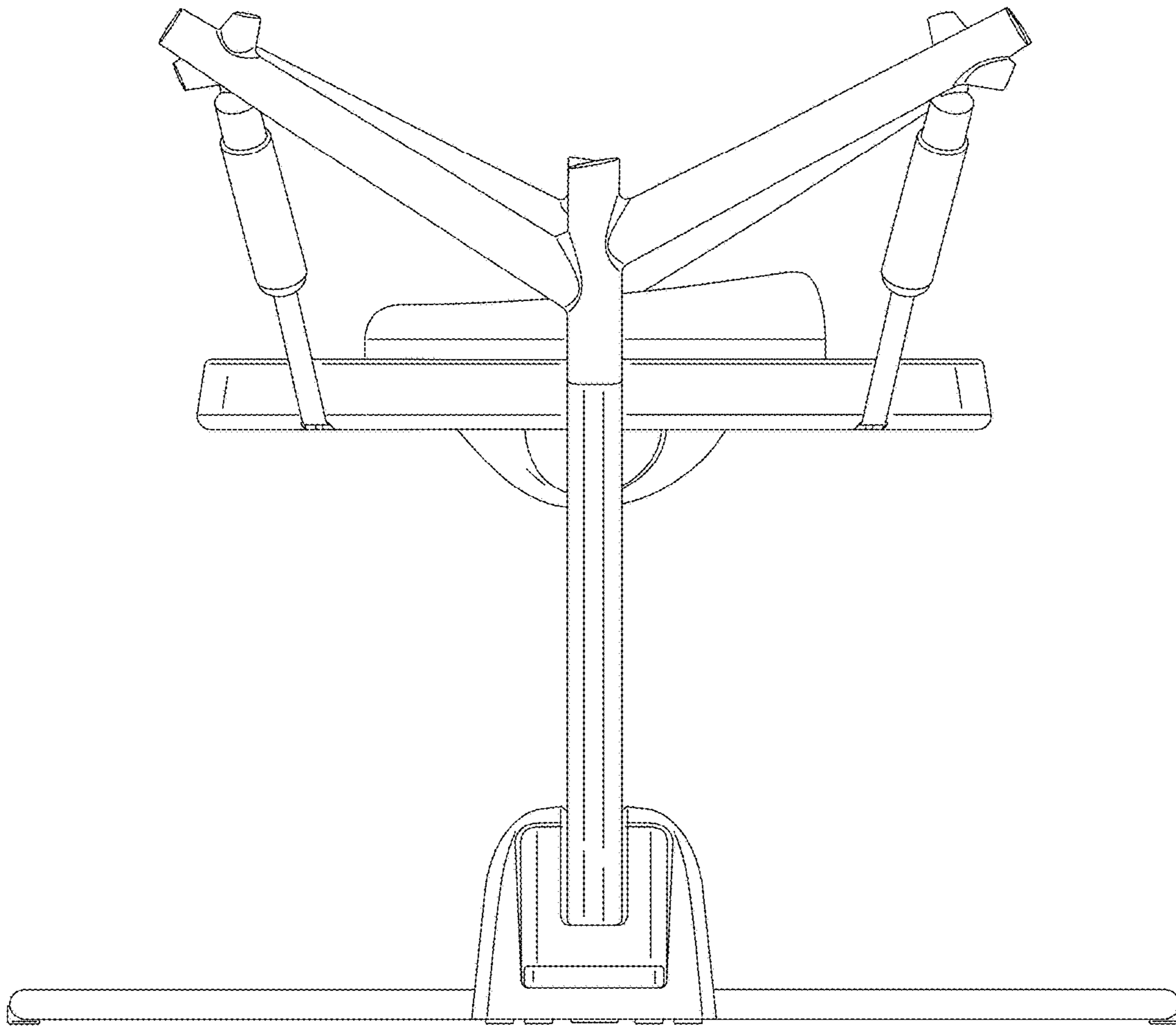


FIG. 3

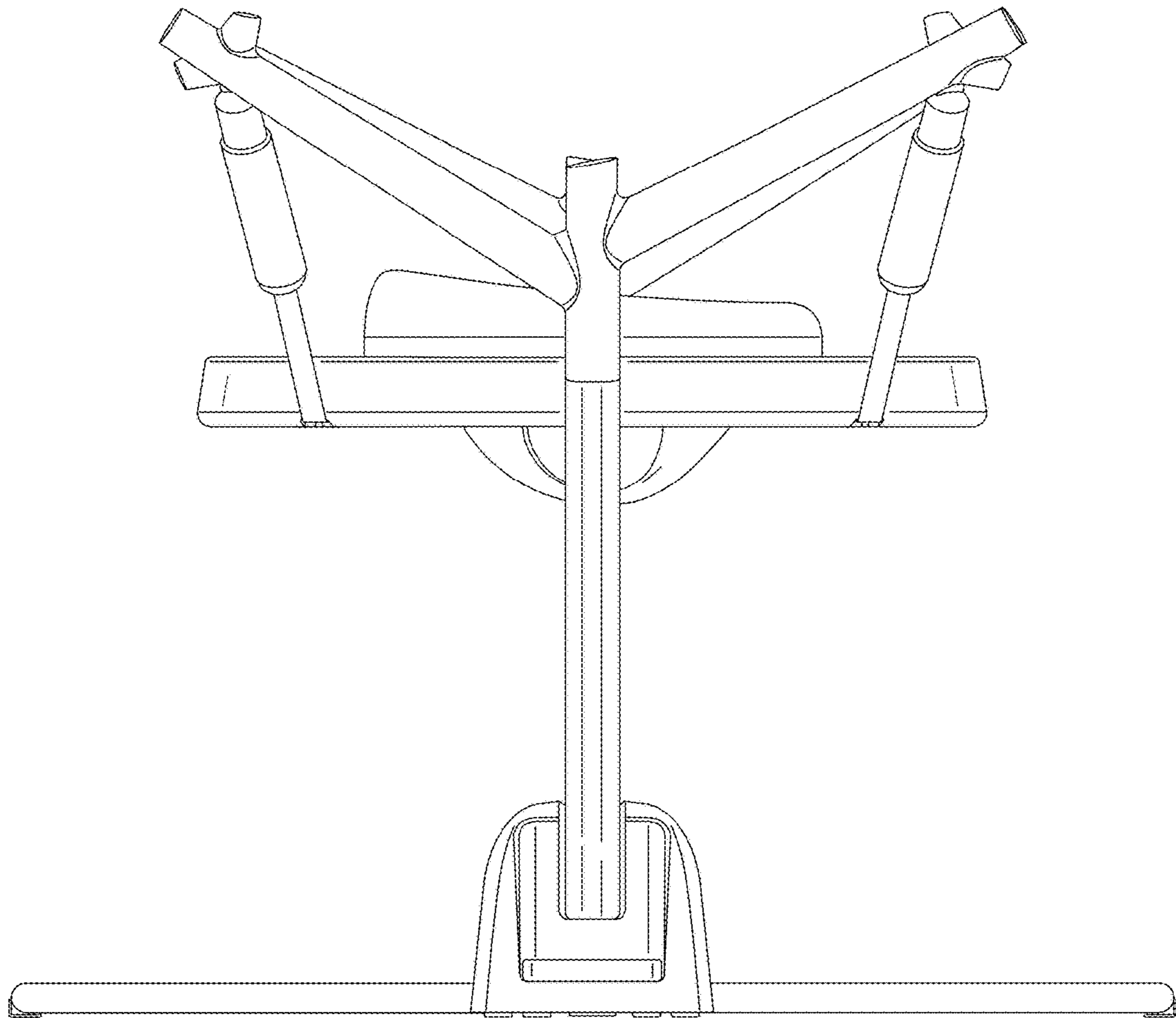


FIG. 4

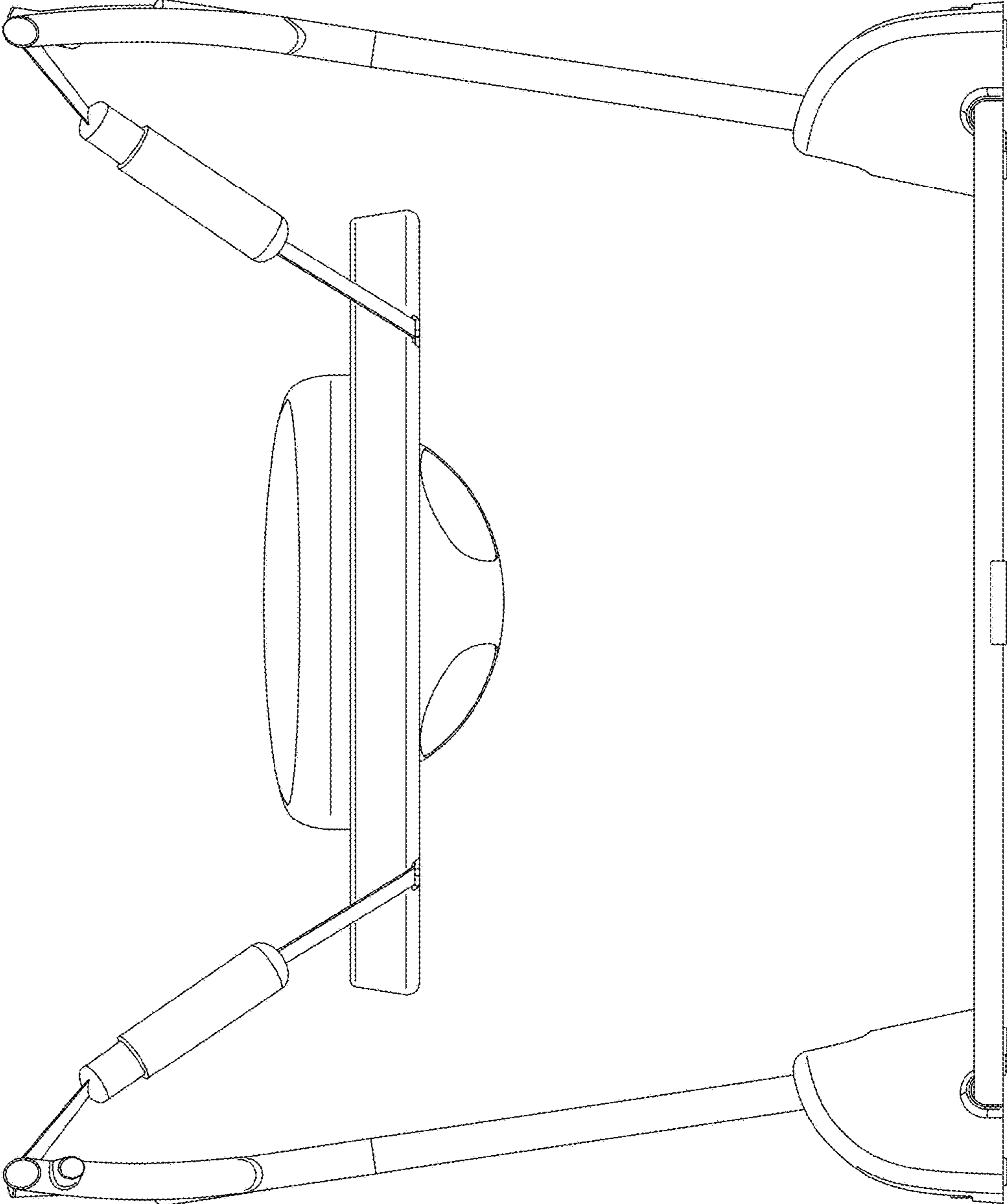


FIG. 5

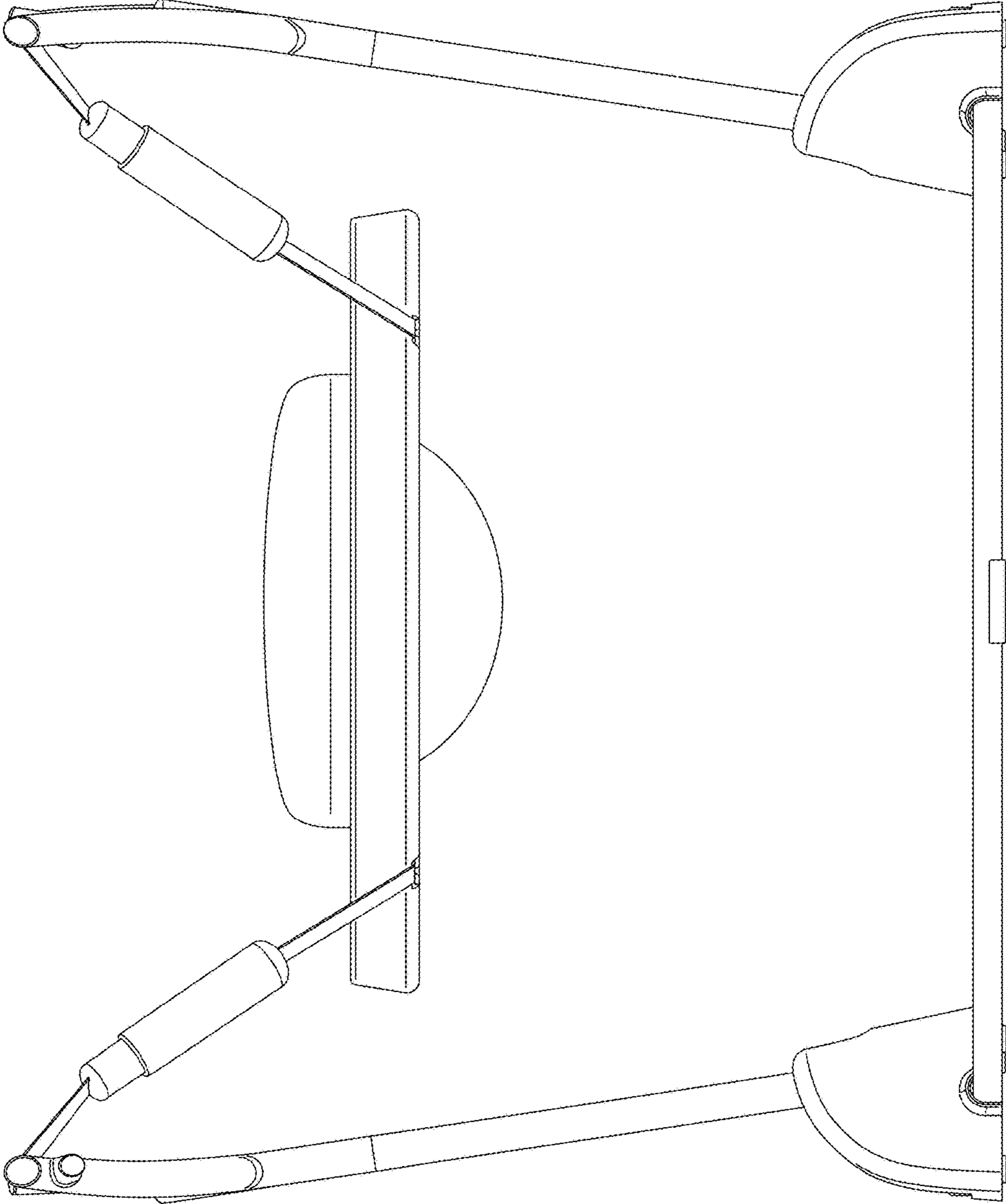


FIG. 6