



US00D868486S

(12) **United States Design Patent** (10) **Patent No.:** **US D868,486 S**
Kariker (45) **Date of Patent:** **** Dec. 3, 2019**

(54) **GARMENT HANGER** 4,989,624 A * 2/1991 Darling A47G 25/14
134/100.1
(71) Applicant: **Walmart Apollo, LLC**, Bentonville, AR (US) 5,183,191 A 2/1993 Garrison et al.
D368,376 S 4/1996 Gouldson et al.
5,509,587 A 4/1996 Gouldson et al.
5,778,575 A 7/1998 Deupree et al.
(72) Inventor: **Kenny Kariker**, Bentonville, AR (US) 6,105,835 A * 8/2000 Hatakeyama A47G 25/48
223/88
(73) Assignee: **Walmart Apollo, LLC**, Bentonville, AR (US) 6,779,695 B2 8/2004 Matkovich
D498,936 S * 11/2004 Gouldson D6/326
D515,321 S 2/2006 Sutton et al.
D606,766 S * 12/2009 Warren D6/319
8,302,826 B2 11/2012 Gouldson
D712,166 S * 9/2014 Gouldson D6/318
(21) Appl. No.: **29/655,183** 2007/0199965 A1 * 8/2007 Gouldson A47G 25/16
223/91
(22) Filed: **Jun. 29, 2018** 2010/0019004 A1 * 1/2010 Gouldson A47G 25/16
223/88
(51) **LOC (12) Cl.** **06-08** 2015/0060500 A1 * 3/2015 Yau A47G 25/1435
223/88
(52) **U.S. Cl.**
USPC **D6/326**
(58) **Field of Classification Search**
USPC D6/315–328
CPC A47G 25/32; A47G 25/26; A47G 25/28;
A47G 25/485; A47G 25/487; A47G
25/20; A47G 25/481; A47G 25/442;
A47G 25/24; A47G 25/48; A47G 25/486;
A47G 25/36; A47G 25/1407; A47G
25/30; A47G 25/14; A47G 25/743; A47G
25/1457

See application file for complete search history.

(56) **References Cited**

U.S. PATENT DOCUMENTS

3,098,561 A * 7/1963 Kass A47G 25/54
206/287
D196,214 S * 9/1963 Warmath, III 223/88
D197,542 S * 2/1964 Levine D6/319
3,165,245 A * 1/1965 Levine A47G 25/16
223/91
D302,078 S * 7/1989 De Wet D6/319

* cited by examiner

Primary Examiner — Lauren R Calve

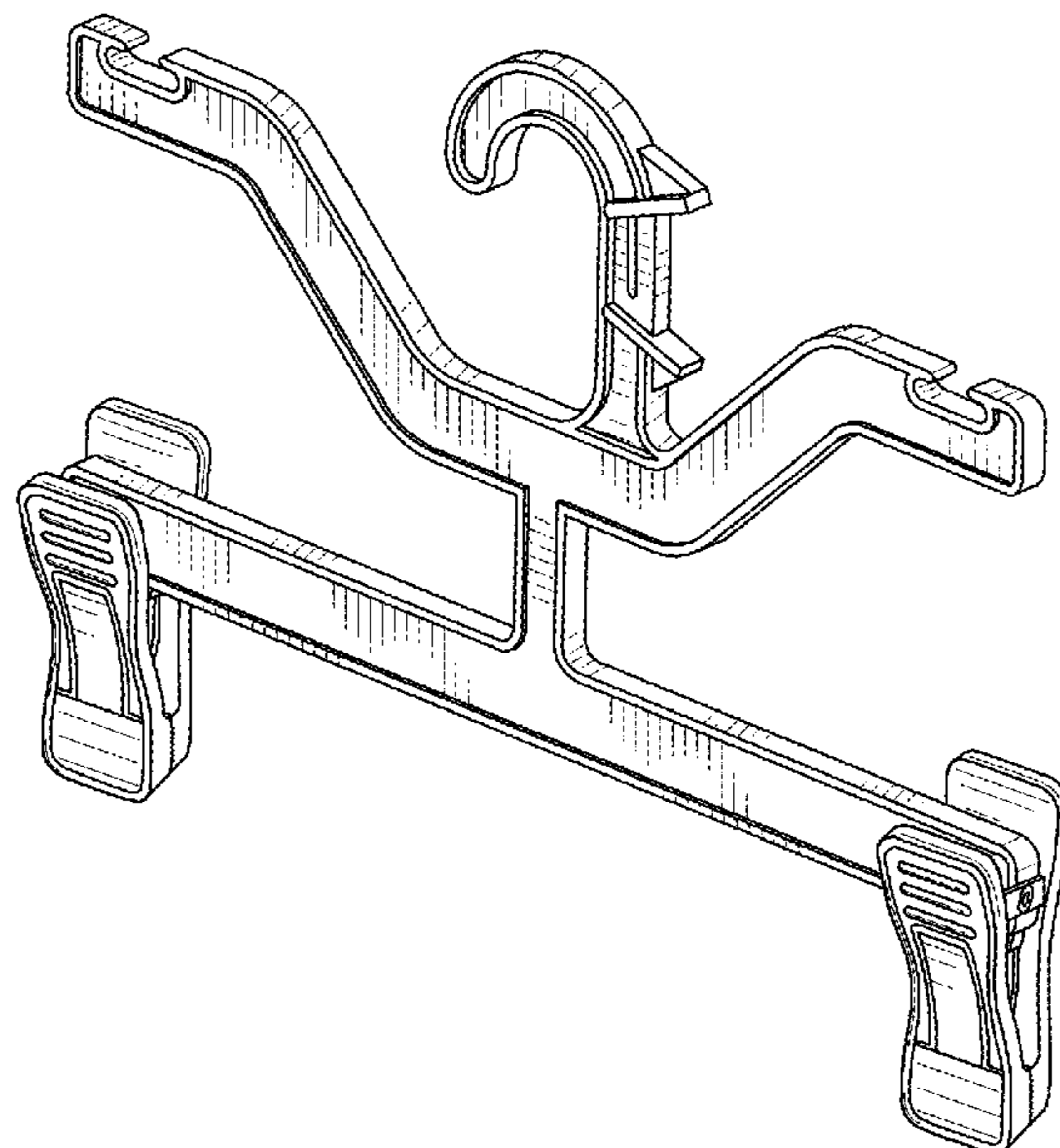
(57) **CLAIM**

The ornamental design for a garment hanger, as shown and described.

DESCRIPTION

FIG. 1 is a perspective view of a garment hanger of the present invention;
FIG. 2 is a front view thereof;
FIG. 3 is a back view thereof;
FIG. 4 is a left side view thereof;
FIG. 5 is a right view thereof;
FIG. 6 is a top view thereof; and,
FIG. 7 is a bottom view thereof.
The broken lines are for illustrative purposes only and form no part of the claimed design.

1 Claim, 5 Drawing Sheets



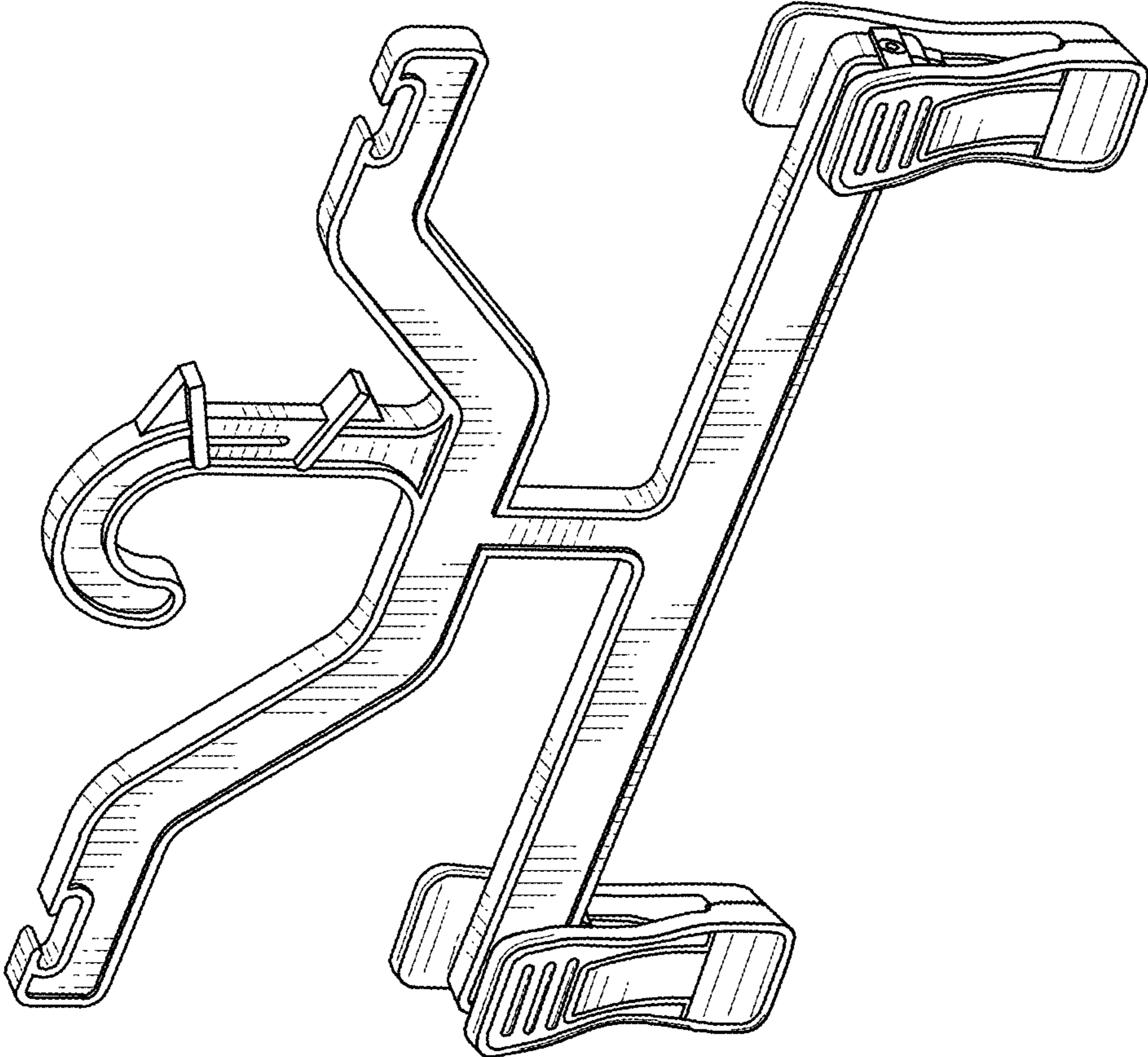


FIG. 1

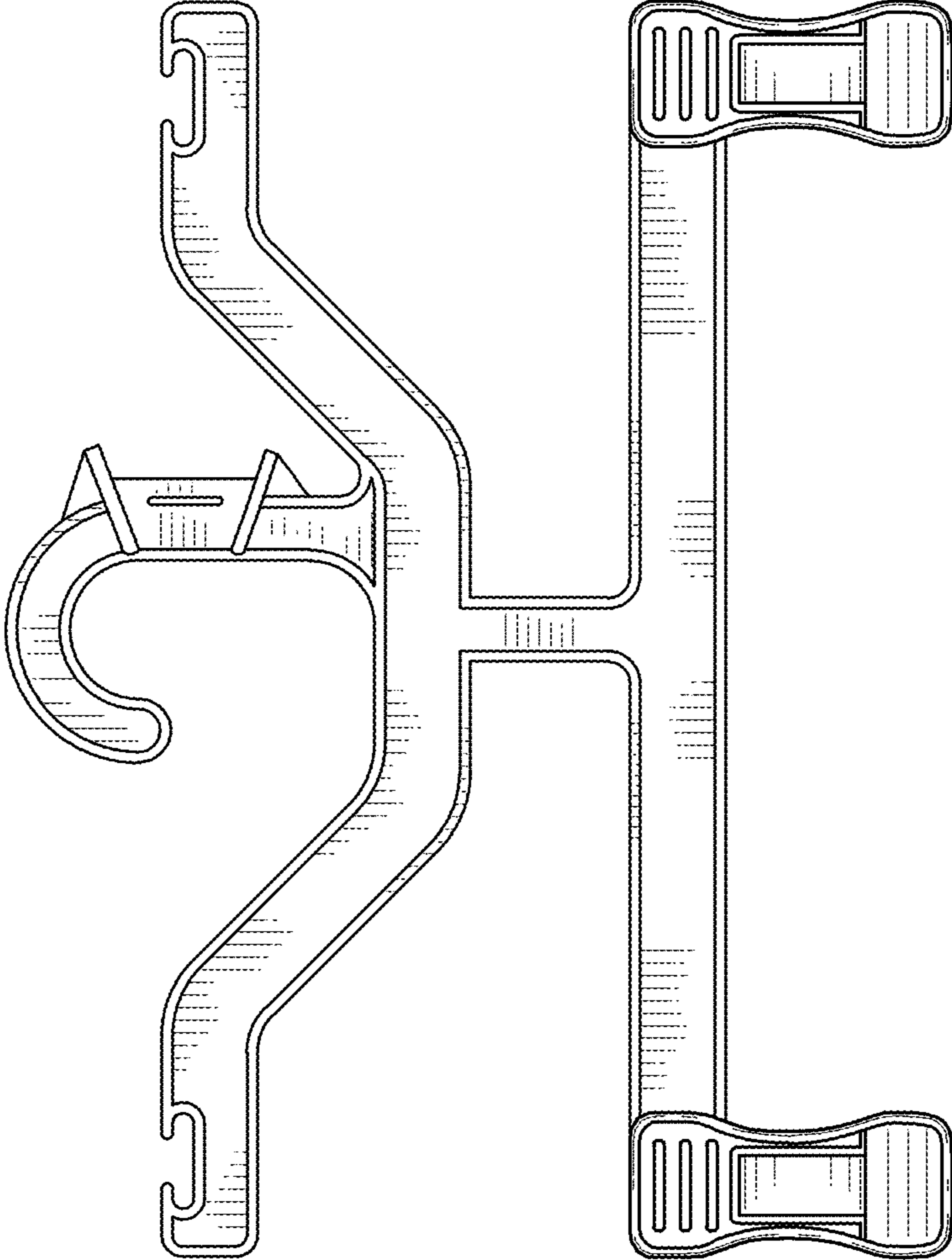


FIG. 2

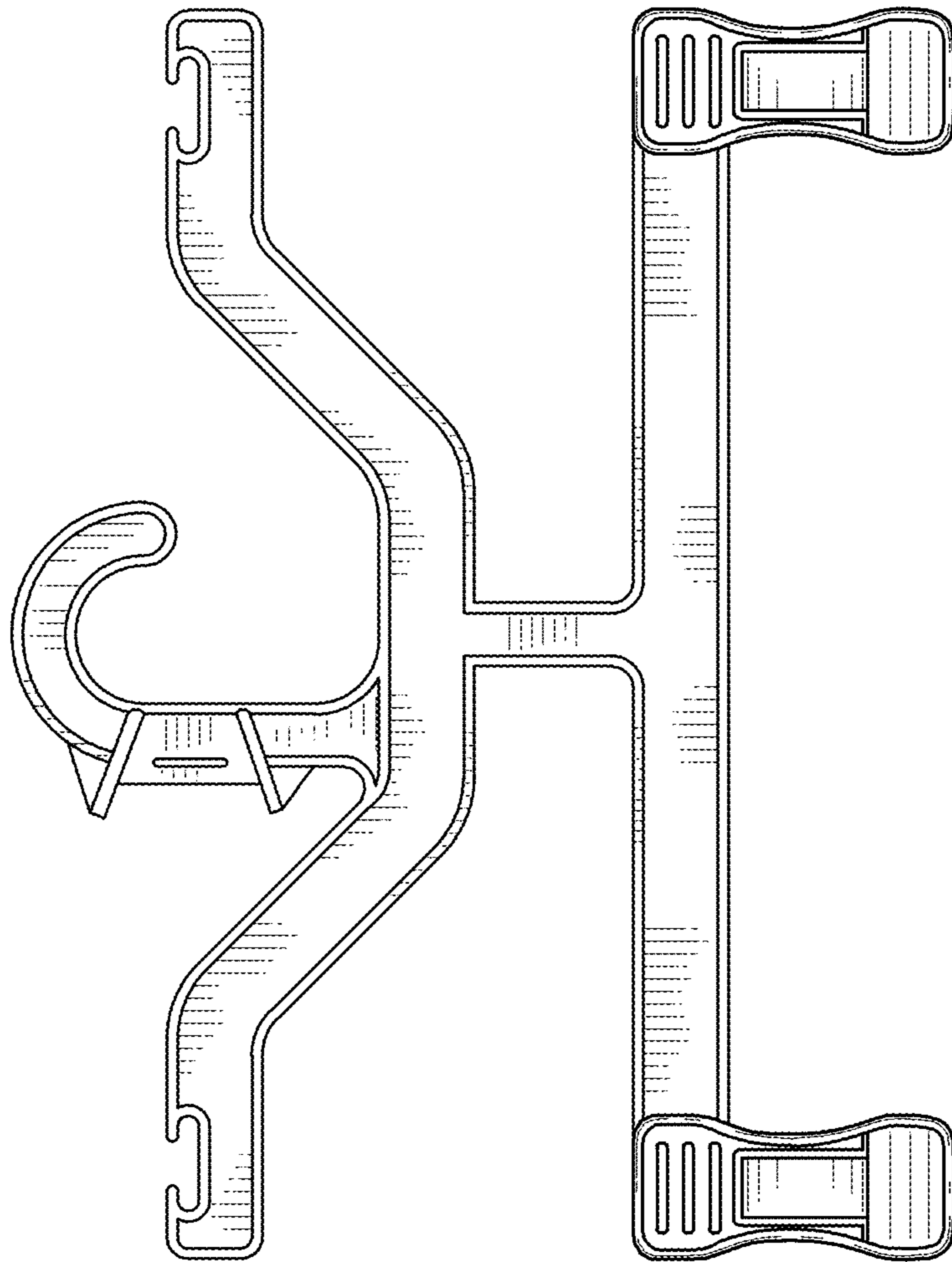


FIG. 3

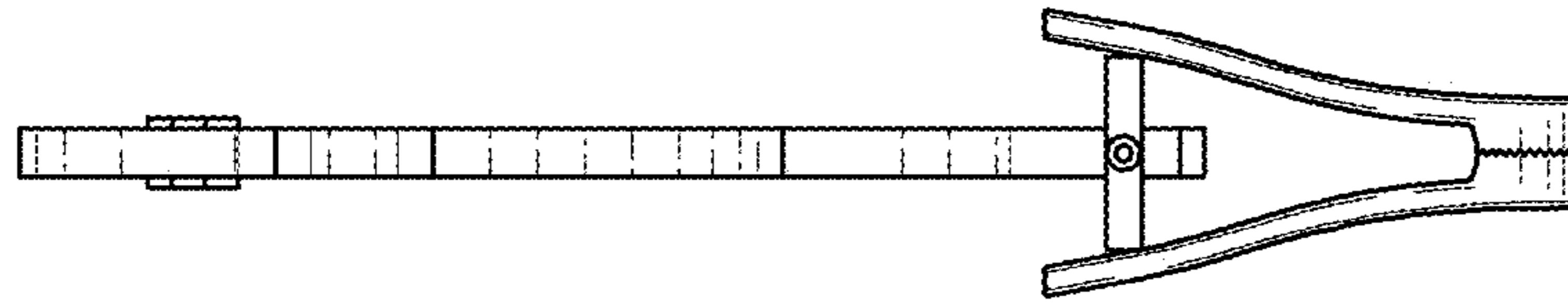


FIG. 5

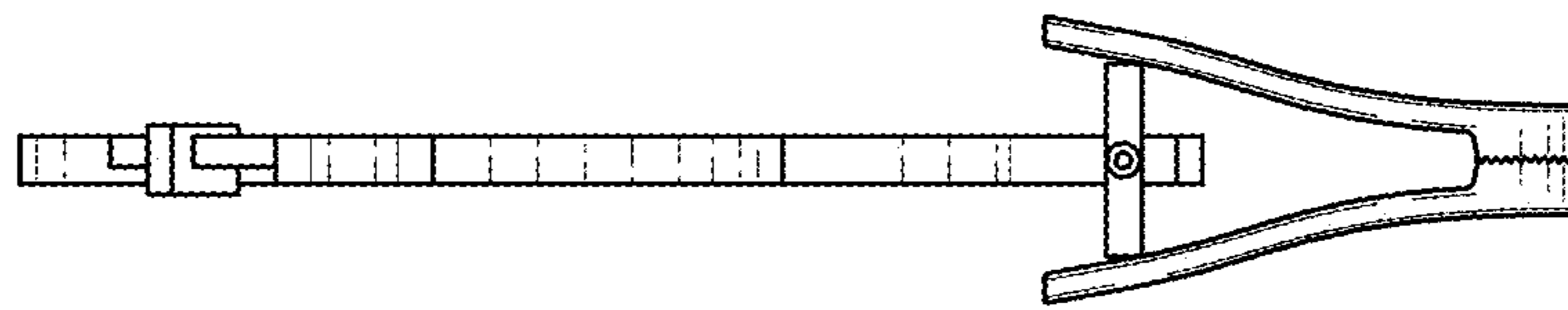


FIG. 4

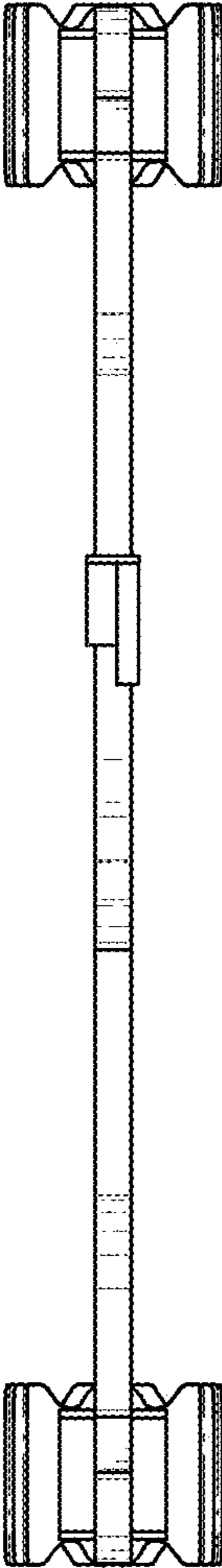


FIG. 6

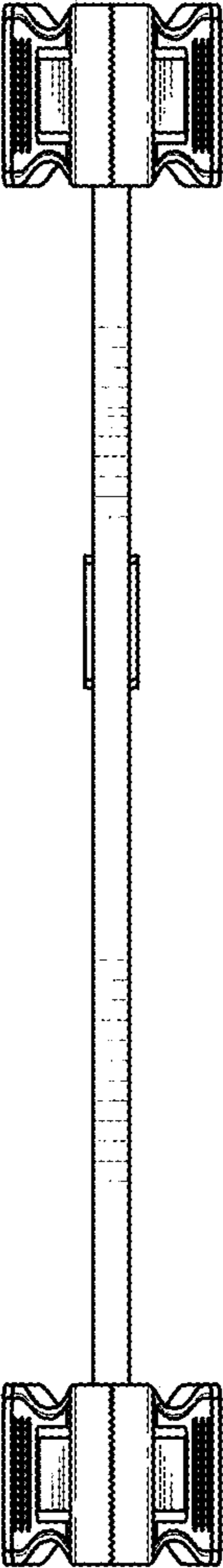


FIG. 7