



US00D868485S

(12) **United States Design Patent**
Thelusma

(10) **Patent No.:** **US D868,485 S**

(45) **Date of Patent:** **** Dec. 3, 2019**

- (54) **FOOTWEAR CADDY**
- (71) Applicant: **Yolette Thelusma**, Randolph, MA (US)
- (72) Inventor: **Yolette Thelusma**, Randolph, MA (US)
- (**) Term: **15 Years**
- (21) Appl. No.: **29/621,233**
- (22) Filed: **Oct. 5, 2017**
- (51) **LOC (12) Cl.** **06-08**
- (52) **U.S. Cl.**
USPC **D6/315; D6/661.3**
- (58) **Field of Classification Search**
USPC D6/315-328, 661, 661.3; D3/20, 201,
D3/203.3, 294, 295, 316; D9/414, 428,
D9/741, 745, 747
CPC B65D 21/0233; B65D 2543/00296; B65D
2543/00537; B65D 2543/00092; B65D
5/4204; B65D 43/16; B65D 2543/00805;
B65D 2543/00648; B65D 1/34; B65D
2501/24019; B65D 1/36; B65D
2519/00273; B65D 25/54; B65D 5/4208;
B65D 25/10; B65D 25/22; B65D 43/169;
B65D 1/26; B65D 2519/00323; B65D
2519/00034; B65D 2543/00379; B65D
2519/00069; B65D 2543/00416; B65D
85/00; B65D 2543/00759; B65D
2519/00174; B65D 2519/00208; B65D
2543/00231; B65D 51/04
See application file for complete search history.

(56) **References Cited**

U.S. PATENT DOCUMENTS

- 1,908,797 A * 5/1933 Svalland A47B 49/004
190/9
- 2,292,499 A * 8/1942 Walsh B65D 25/04
206/499
- D210,710 S * 4/1968 Smith D6/661.3

- 3,526,443 A * 9/1970 Smith A47F 3/10
312/125
- D240,870 S * 8/1976 Howard D6/678.1
- D244,411 S * 5/1977 Haggerty D6/661.3
- D244,981 S * 7/1977 Austin D6/661.3
- D249,311 S * 9/1978 Coulthurst D6/661.3
- D256,811 S * 9/1980 Crawford 446/168
- D258,555 S * 3/1981 Rosenthal D6/677.1
- D284,242 S * 6/1986 Sackett D6/657
- D335,050 S * 4/1993 Callon D6/661.3
- 5,567,026 A * 10/1996 Lacewell A47F 3/10
108/94
- D417,093 S * 11/1999 Fan D6/660
- D462,853 S * 9/2002 Berg D6/661
- D471,737 S * 3/2003 Lucatello D6/661.3

(Continued)

Primary Examiner — Lauren R Calve

(74) *Attorney, Agent, or Firm* — Moser Taboada

(57) **CLAIM**

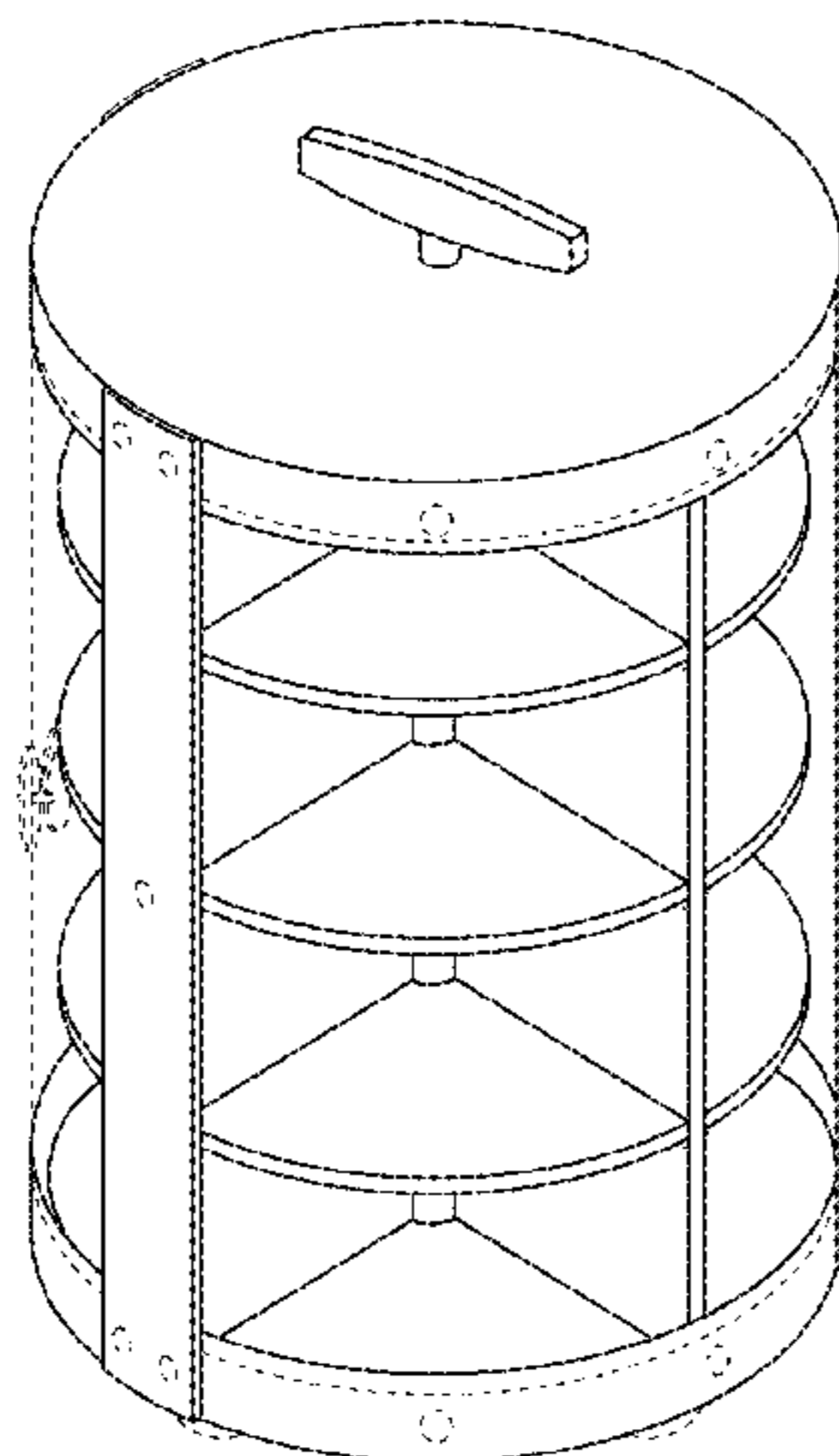
The ornamental design for a footwear caddy, as shown and described.

DESCRIPTION

FIG. 1 is a perspective view of a footwear caddy embodying the new design;
 FIG. 2 is a top view of the footwear caddy shown in FIG. 1;
 FIG. 3 is a bottom view of the footwear caddy shown in FIG. 1;
 FIG. 4 is a front view of the footwear caddy shown in FIG. 1;
 FIG. 5 is a back view of the footwear caddy shown in FIG. 1;
 FIG. 6 is a right side view of the footwear caddy shown in FIG. 1; and,
 FIG. 7 is a left side view of the footwear caddy shown in FIG. 1.

The broken line showing of a portion of the footwear caddy, or of an element on the footwear caddy, forms no part of the claimed design.

1 Claim, 6 Drawing Sheets



(56)

References Cited

U.S. PATENT DOCUMENTS

D597,767 S *	8/2009	Colin	D6/661.3
D660,050 S *	5/2012	Desilet	D6/680.2
D693,154 S *	11/2013	Hertaus	D6/668.1
D764,812 S *	8/2016	Lekic	D6/315
2006/0175944 A1 *	8/2006	Peters	B25H 3/025 312/249.11

* cited by examiner

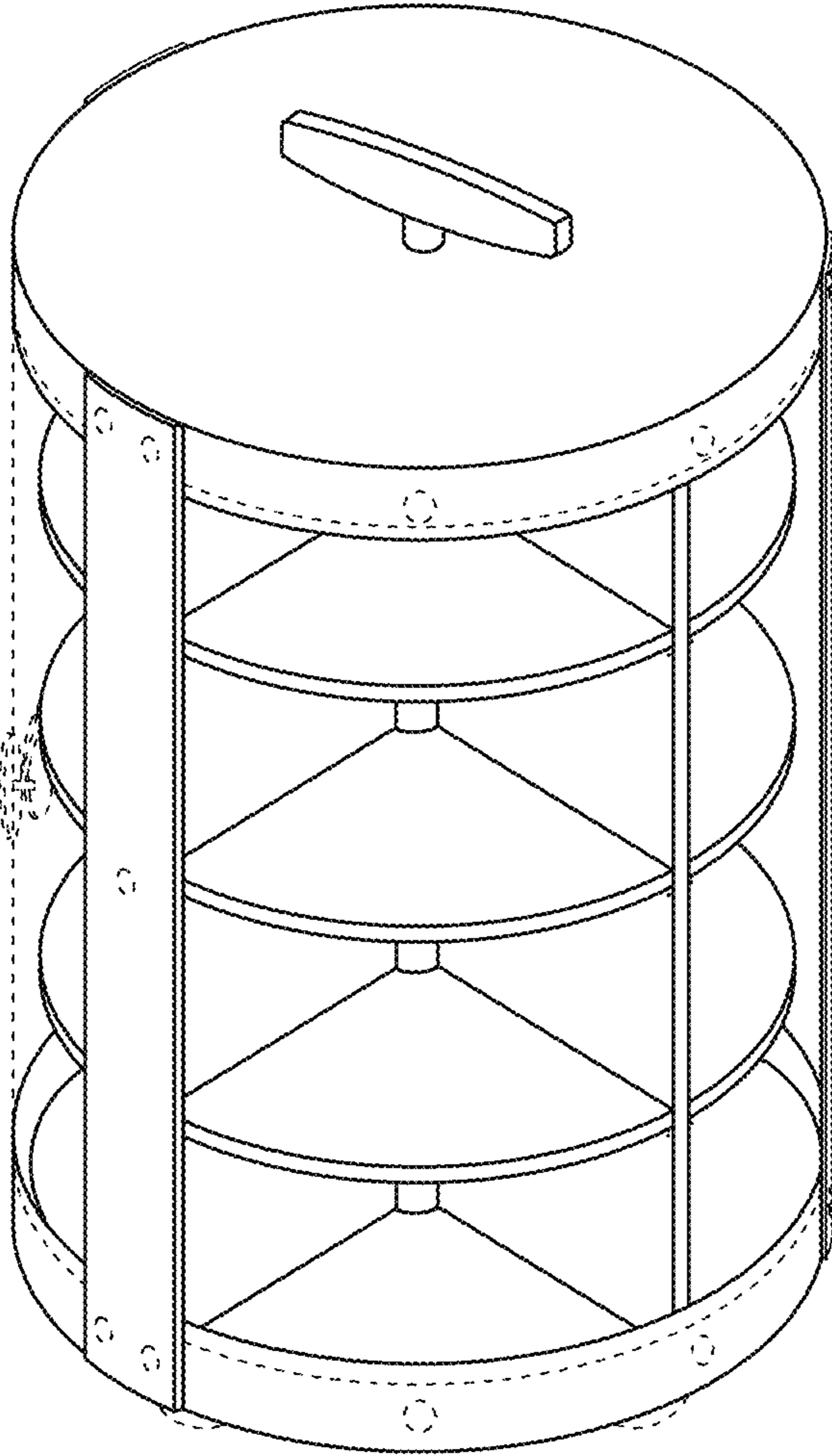


FIG. 1

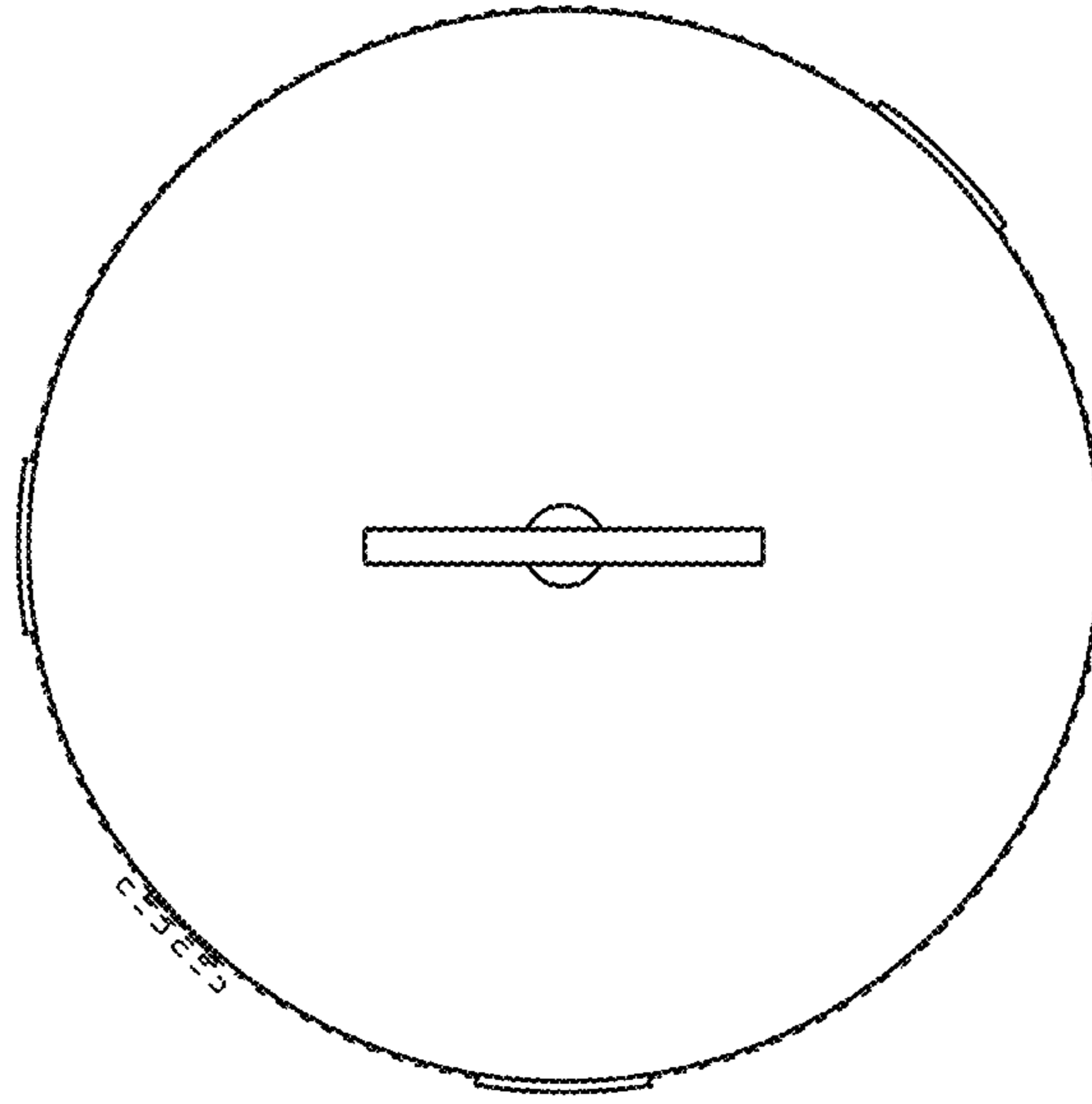


FIG. 2

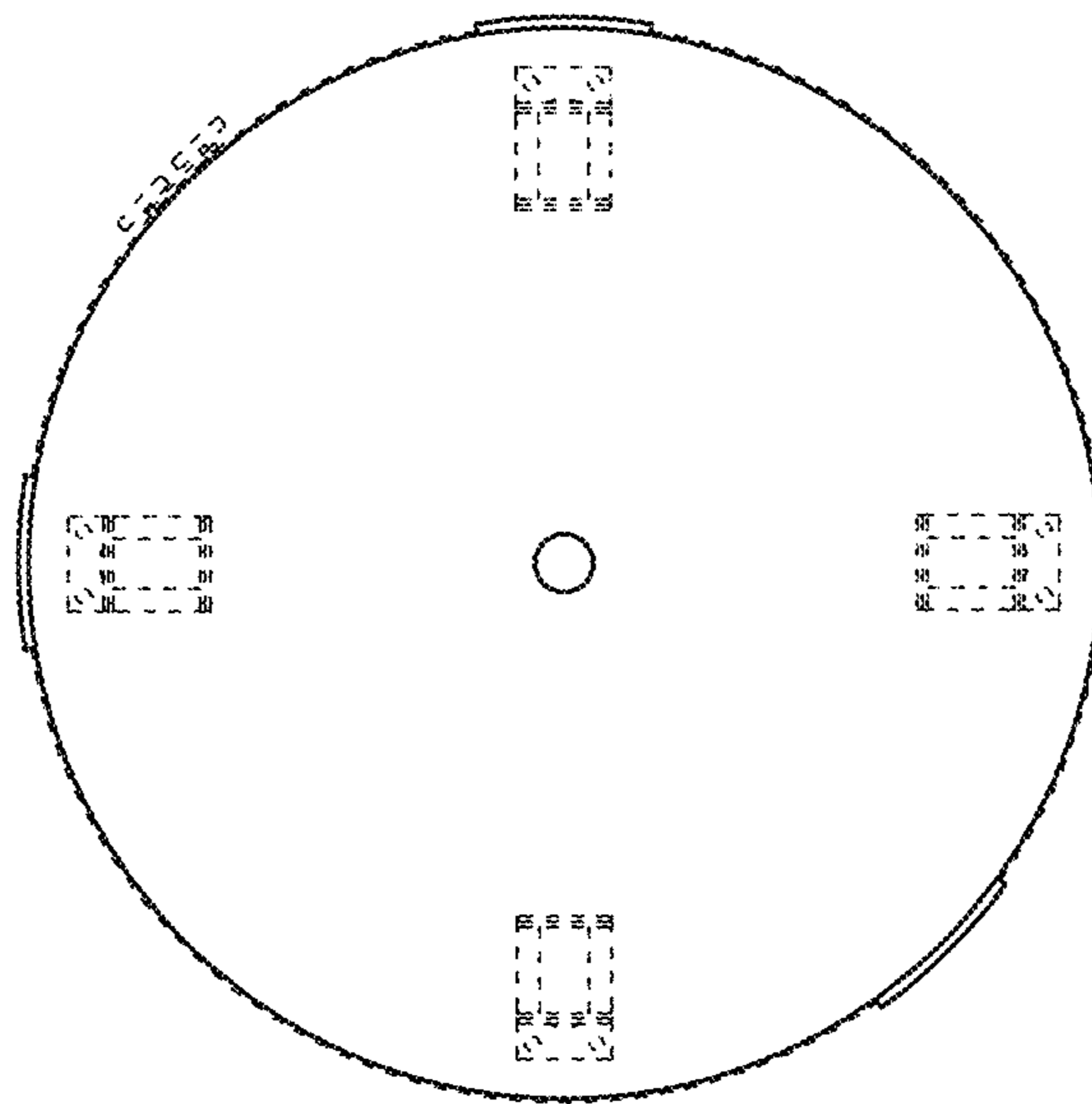


FIG. 3

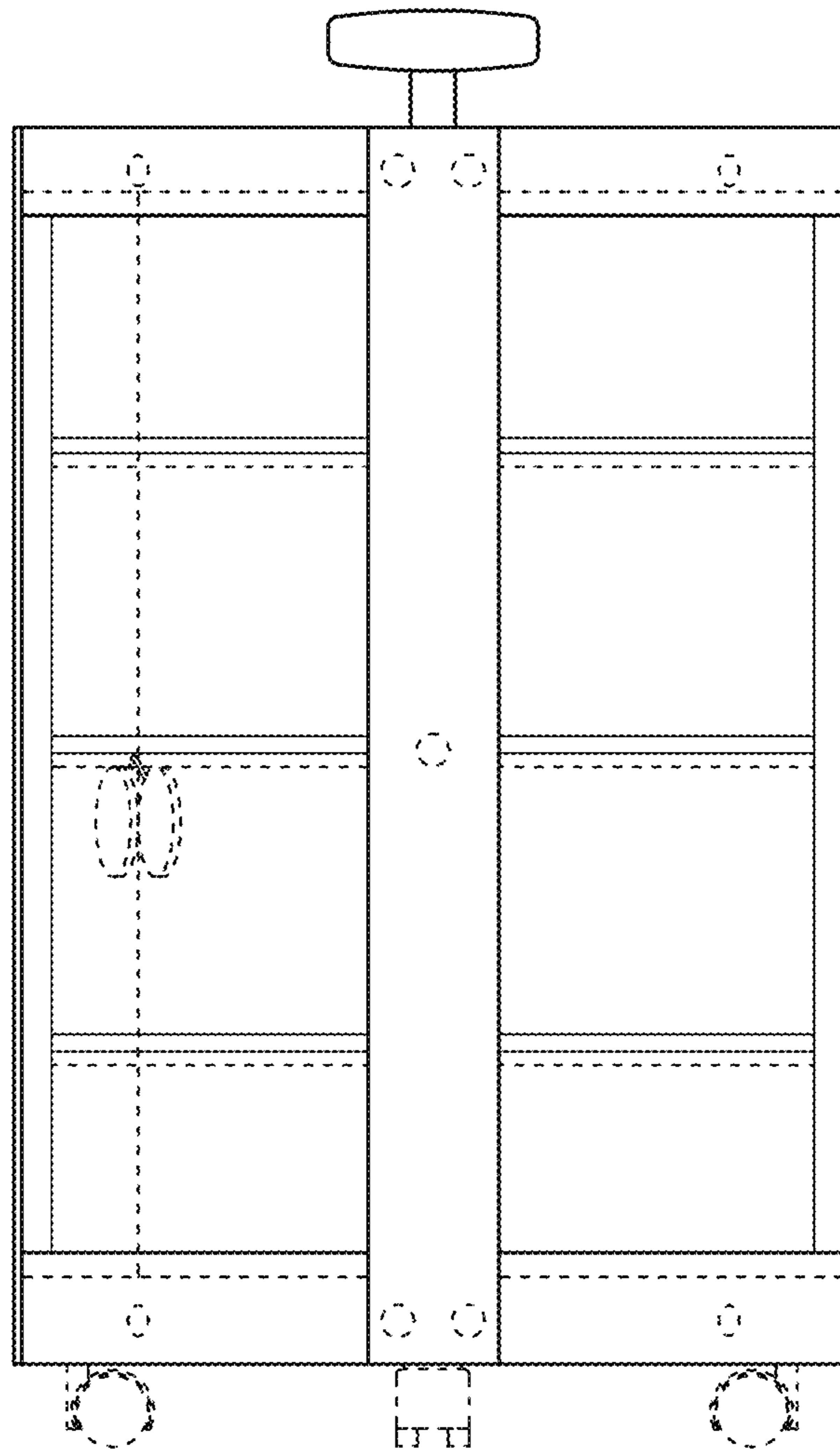


FIG. 4

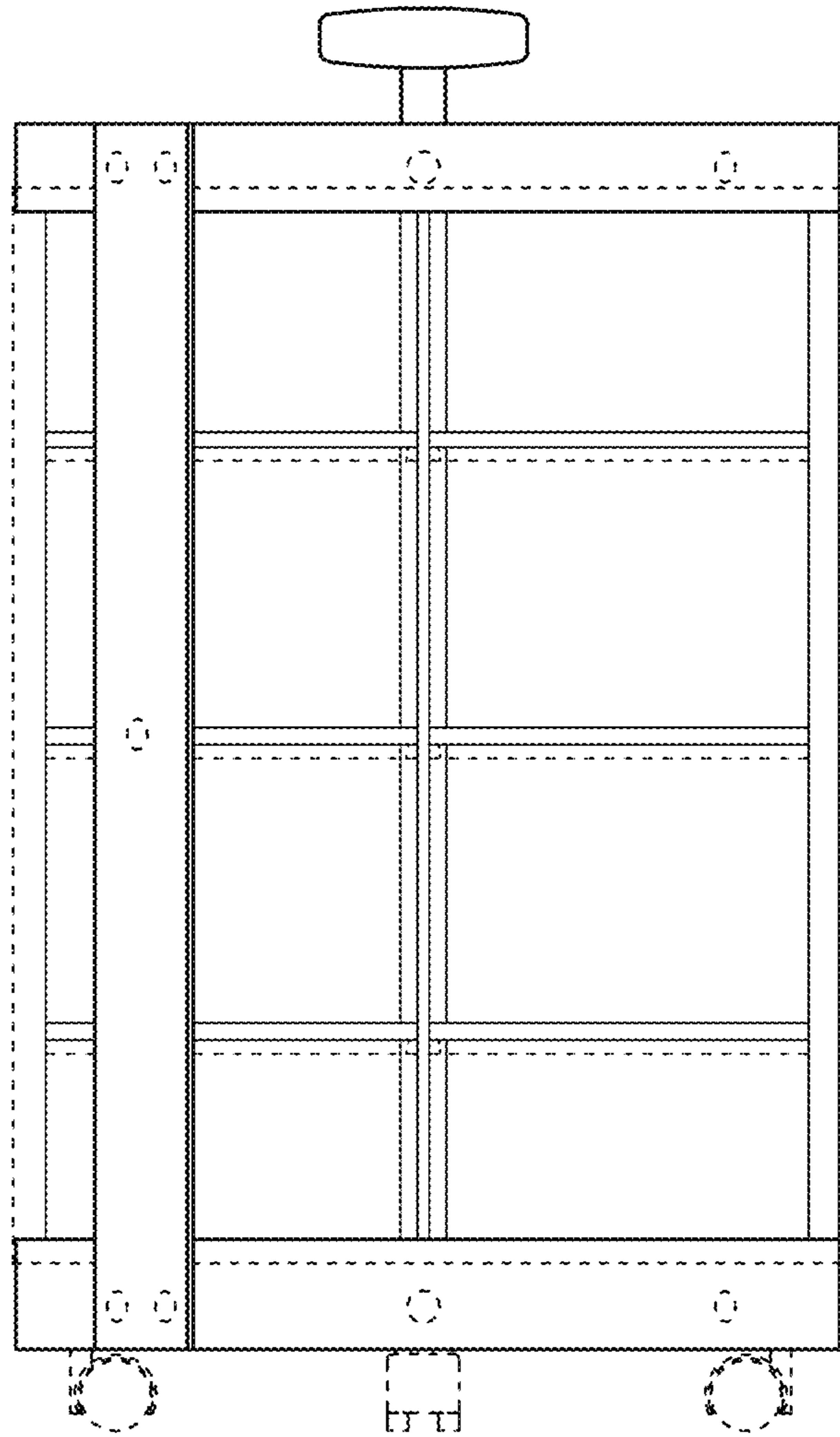


FIG. 5

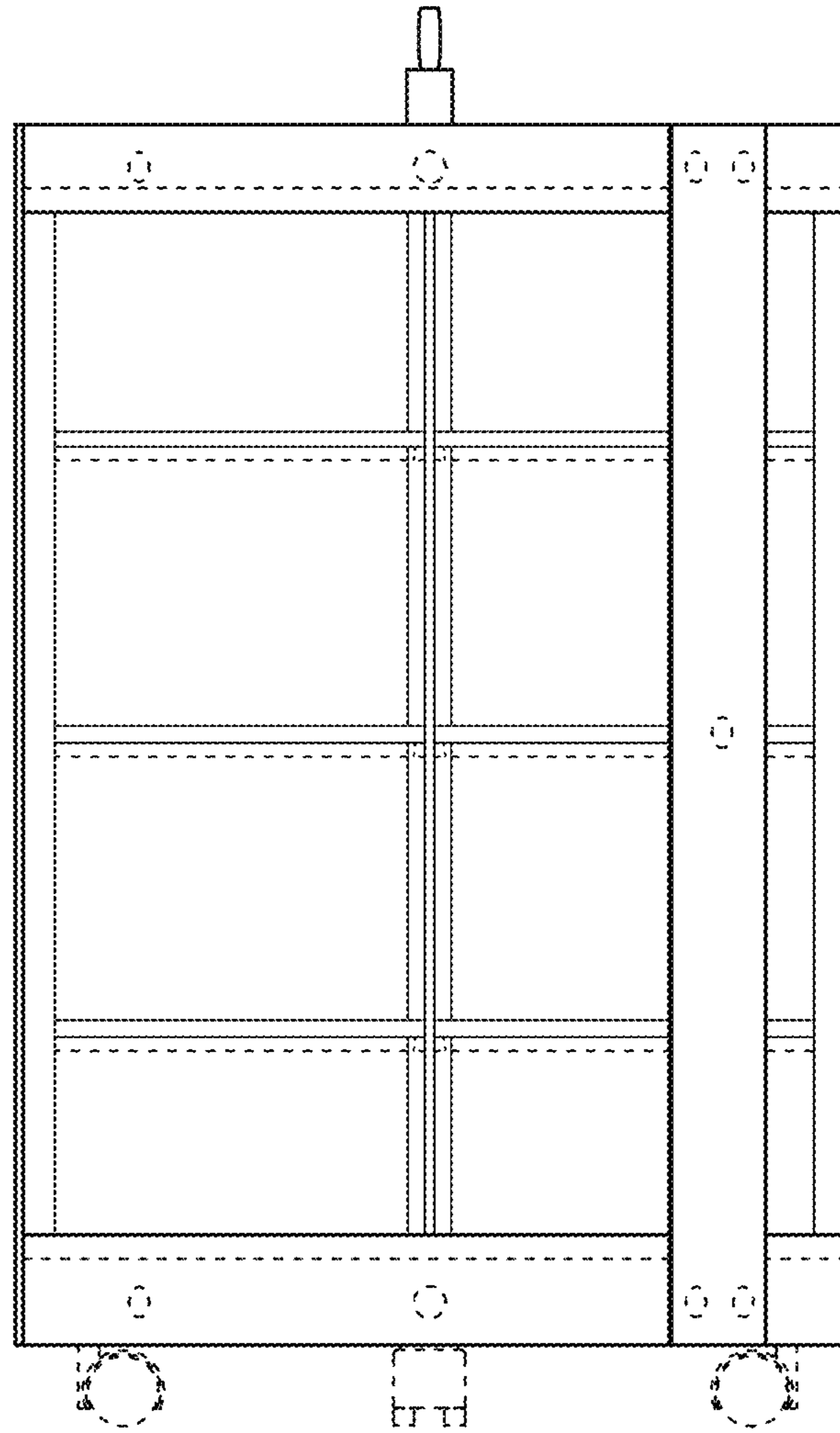


FIG. 6

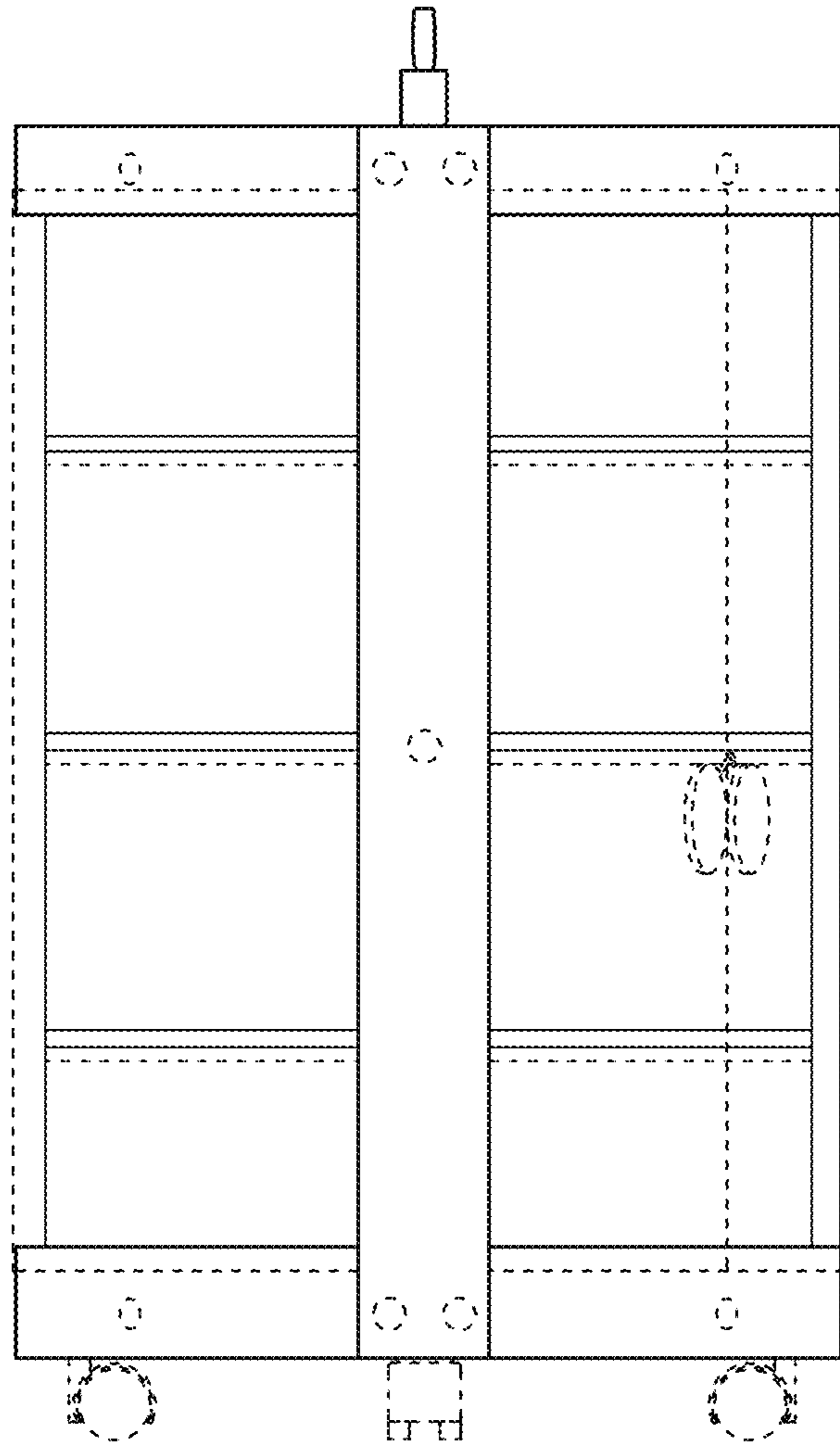


FIG. 7