



US00D868483S

(12) **United States Design Patent** (10) **Patent No.:** **US D868,483 S**
Papazian (45) **Date of Patent:** **** Dec. 3, 2019**

(54) **TOOTHBRUSH HEAD**

FOREIGN PATENT DOCUMENTS

(71) Applicant: **Mihran Papazian**, Granada Hills, CA
(US)

CN 303073307 * 1/2015
CN 304429458 * 12/2017

(Continued)

(72) Inventor: **Mihran Papazian**, Granada Hills, CA
(US)

OTHER PUBLICATIONS

(**) Term: **15 Years**

Brushette electric toothbrush head as shown in, "the revolutionary california based startup in oral care," [on-line]. Published Aug. 18, 2018; retrieved from the Internet Jul. 22, 2019. URL: <https://web.archive.org/web/20180818132923/https://brushette.com/> (Year: 2018).*

(Continued)

(21) Appl. No.: **29/650,113**

(22) Filed: **Jun. 4, 2018**

(51) **LOC (12) Cl.** **04-02**

(52) **U.S. Cl.**
USPC **D4/104**

(58) **Field of Classification Search**
USPC D4/100, 101, 102, 107, 108, 109, 110,
D4/111, 114, 116, 121, 125, 127, 128,
D4/130, 132, 133, 134, 138, 199

See application file for complete search history.

Primary Examiner — Karen E Eldridge Powers

(57) **CLAIM**

The ornamental design for a toothbrush head, as shown and described.

DESCRIPTION

(56) **References Cited**

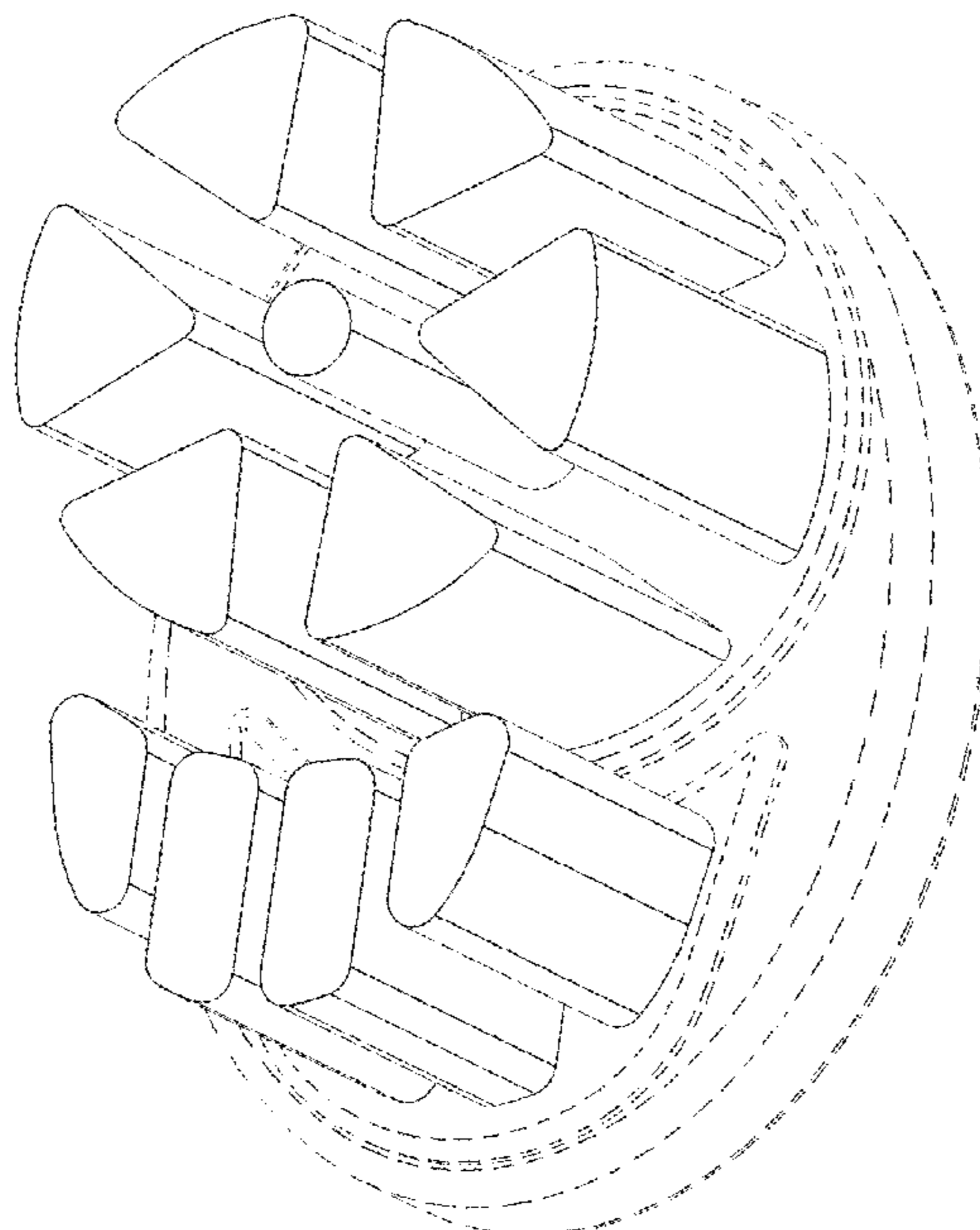
U.S. PATENT DOCUMENTS

1,981,657	A *	11/1934	Miller	A46B 9/04
					15/167.1
D422,143	S *	4/2000	Beals	D4/104
7,520,016	B2 *	4/2009	Kressner	A46B 9/04
					15/22.1
D657,565	S *	4/2012	Gebski	D4/101
8,418,301	B2 *	4/2013	Kressner	A46B 9/04
					15/22.1
8,595,886	B2 *	12/2013	Edelstein	A46B 5/026
					15/167.1
8,621,699	B2 *	1/2014	Fischer	A46D 1/0284
					15/28
8,955,190	B2 *	2/2015	Ivory	A46B 15/0081
					15/111
D769,626	S *	10/2016	Bloch	D4/101

(Continued)

FIG. 1 is a top perspective view of a toothbrush head showing my new design;
FIG. 2 is a front elevation view of the design shown in FIG. 1;
FIG. 3 is a left side elevation view of the design shown in FIG. 1;
FIG. 4 is a right side elevation view of the design shown in FIG. 1;
FIG. 5 is a rear elevation view of the design shown in FIG. 1;
FIG. 6 is a bottom plan view of the design shown in FIG. 1; and,
FIG. 7 is a top plan view of the design shown in FIG. 1. The broken lines showing the bristle support portion of the toothbrush head from no part of the claimed design.

1 Claim, 7 Drawing Sheets



(56)

References Cited

U.S. PATENT DOCUMENTS

2003/0163881 A1* 9/2003 Driesen A46B 9/025
15/22.1
2007/0130705 A1* 6/2007 Chan A46B 9/04
15/22.1
2013/0007968 A1* 1/2013 Driesen A46B 9/025
15/22.1
2015/0257520 A1* 9/2015 Stoerkel A46B 9/04
15/104.93
2019/0014898 A1* 1/2019 Newman A46B 9/06
2019/0104840 A1* 4/2019 Mark A46D 1/0238

FOREIGN PATENT DOCUMENTS

CN 305078443 * 3/2019
EM 006583357-0004 * 6/2019

OTHER PUBLICATIONS

Video, "Brushette Oral-B Toothbrush Heads Hands On," [on-line].
Published Oct. 4, 2018; viewed on Internet Jul. 22, 2018. URL:
<https://www.youtube.com/watch?v=Z-0mrqwqBGM> (Year: 2018).*

* cited by examiner

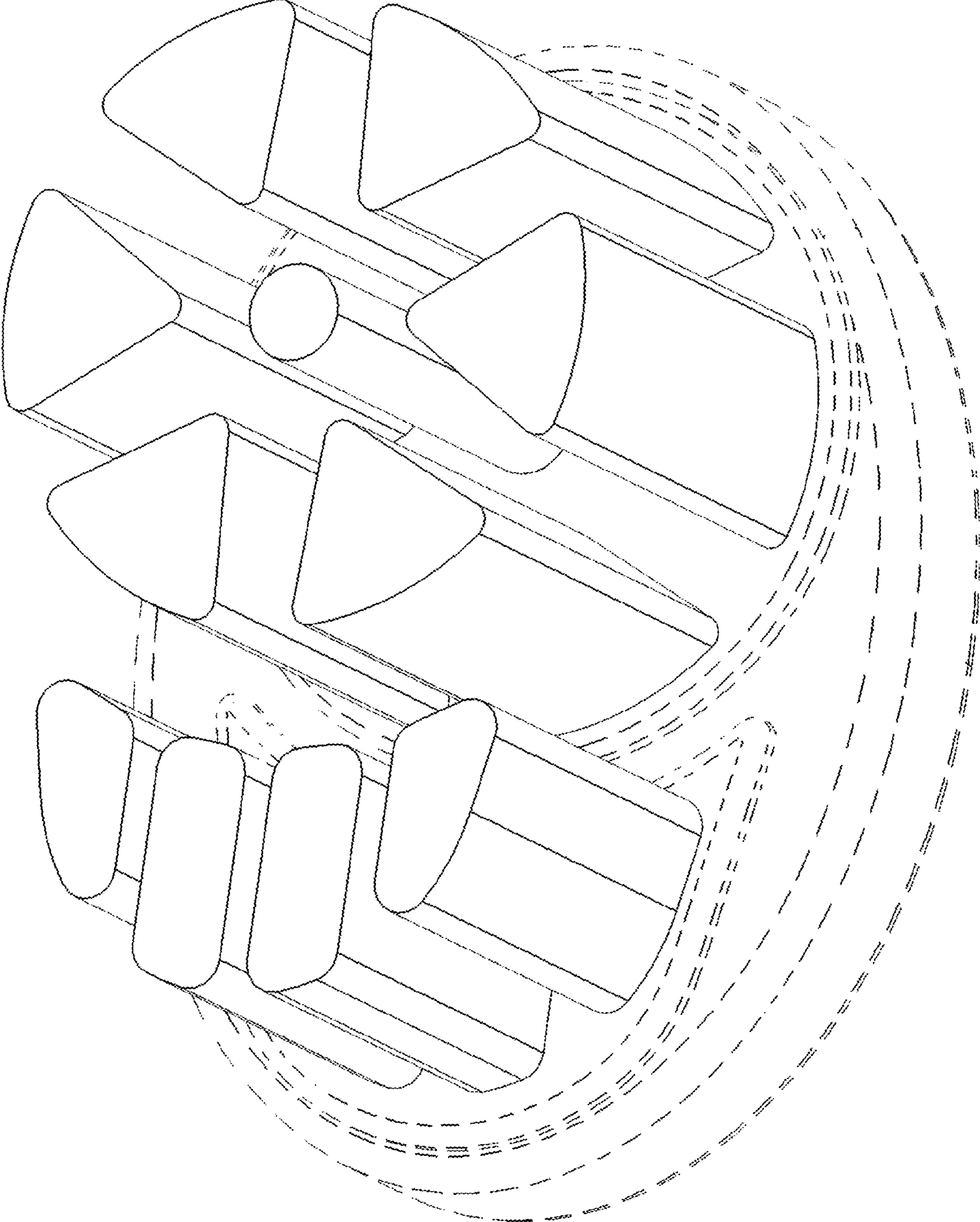


FIG. 1

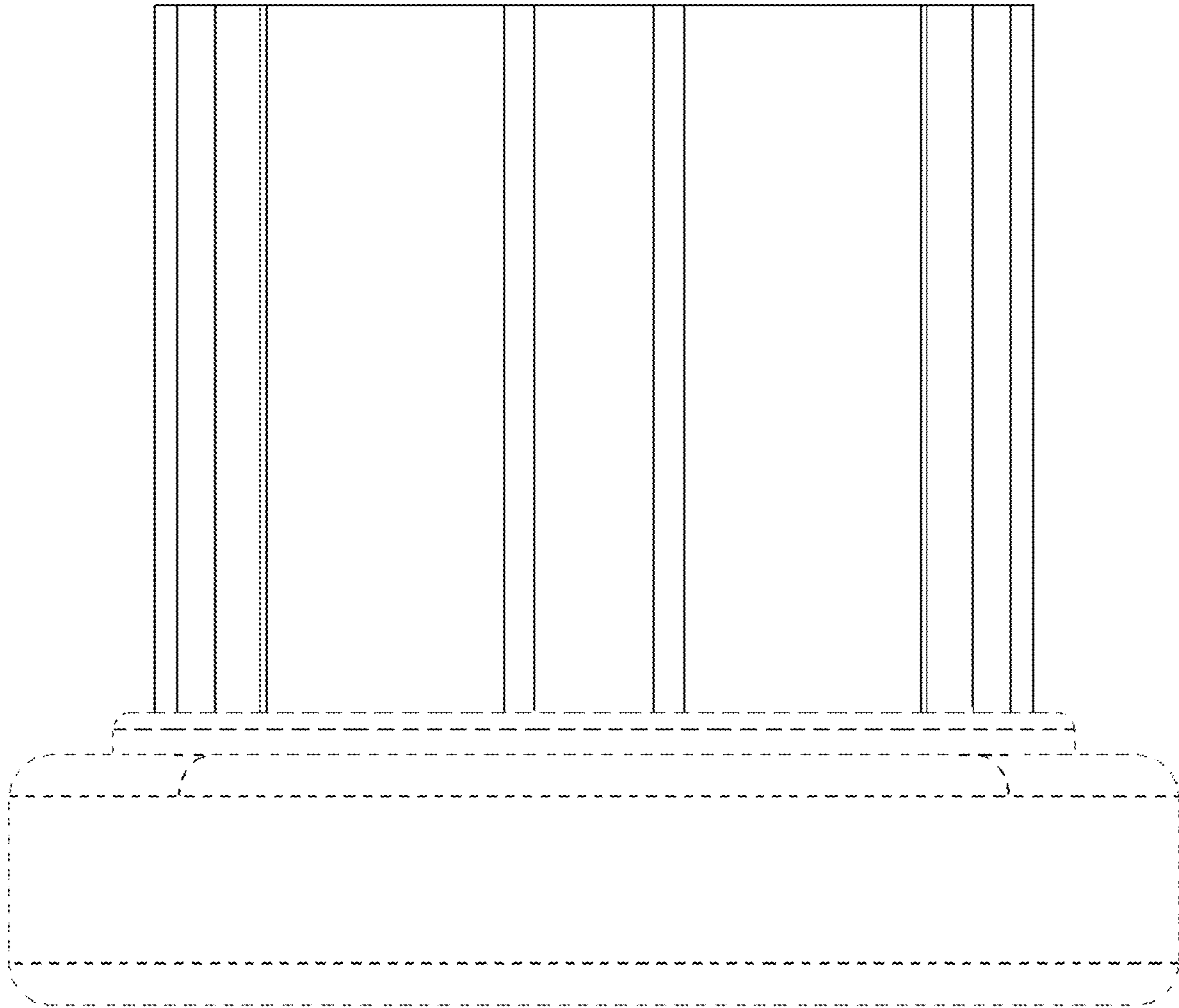


FIG. 2

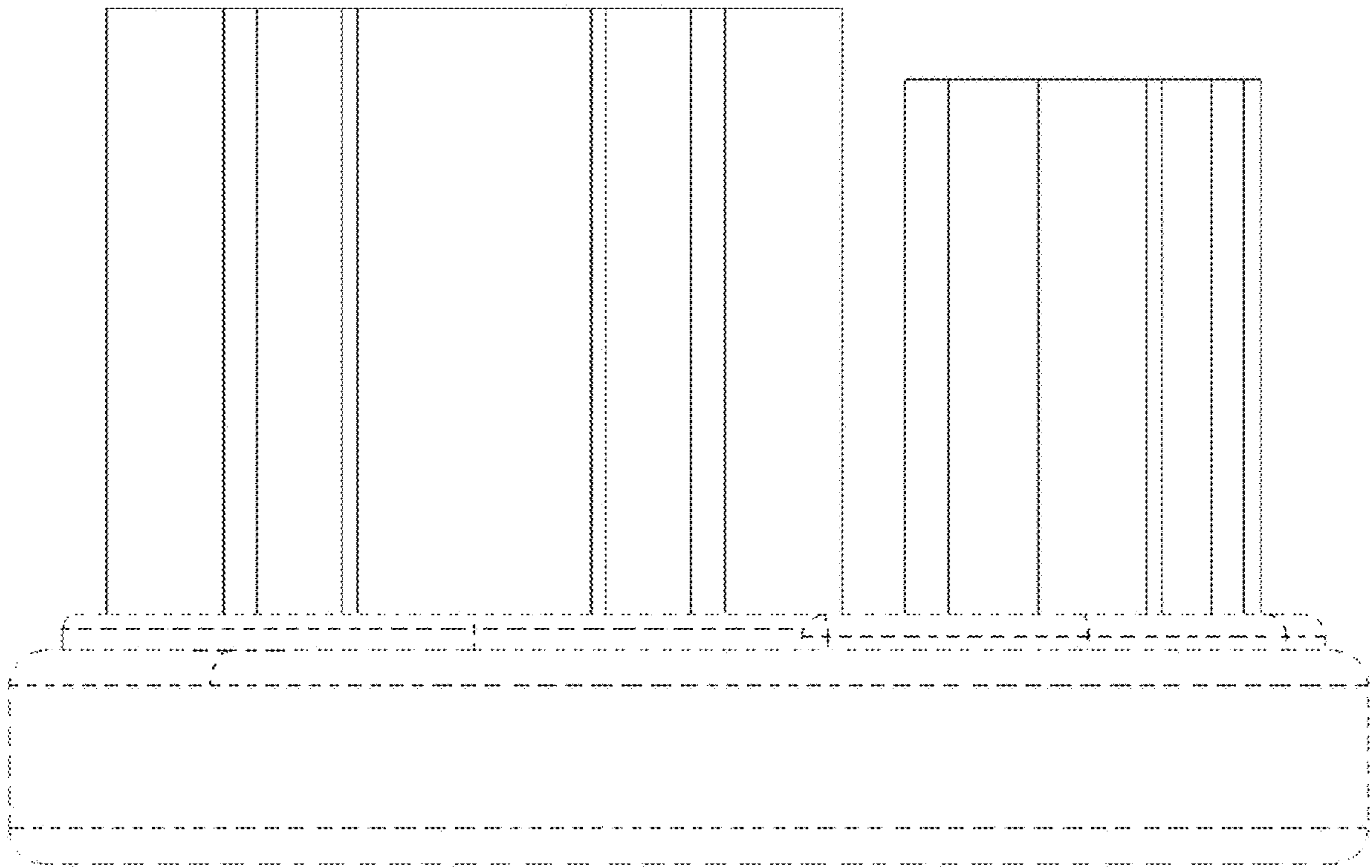


FIG. 3

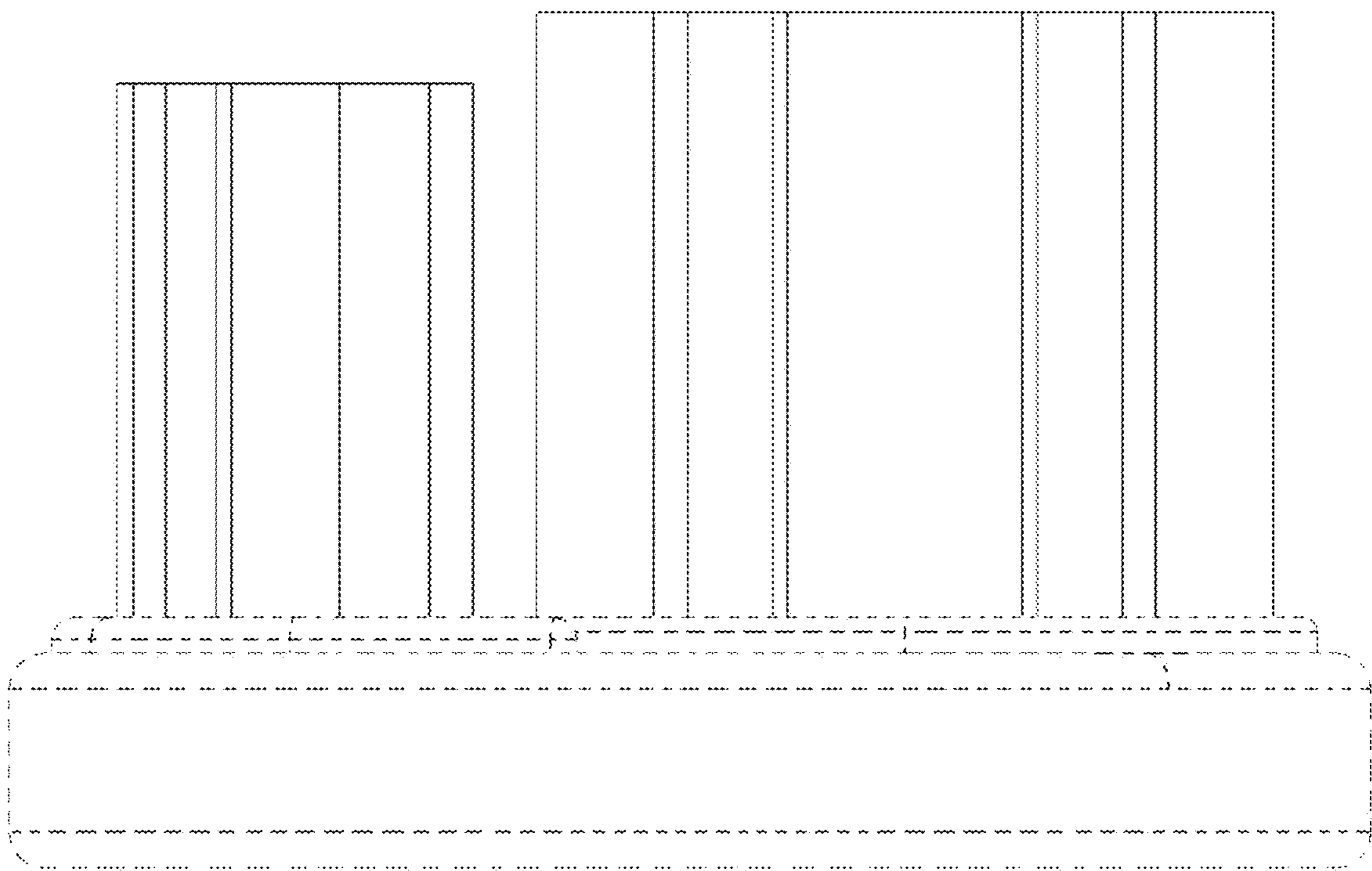


FIG. 4

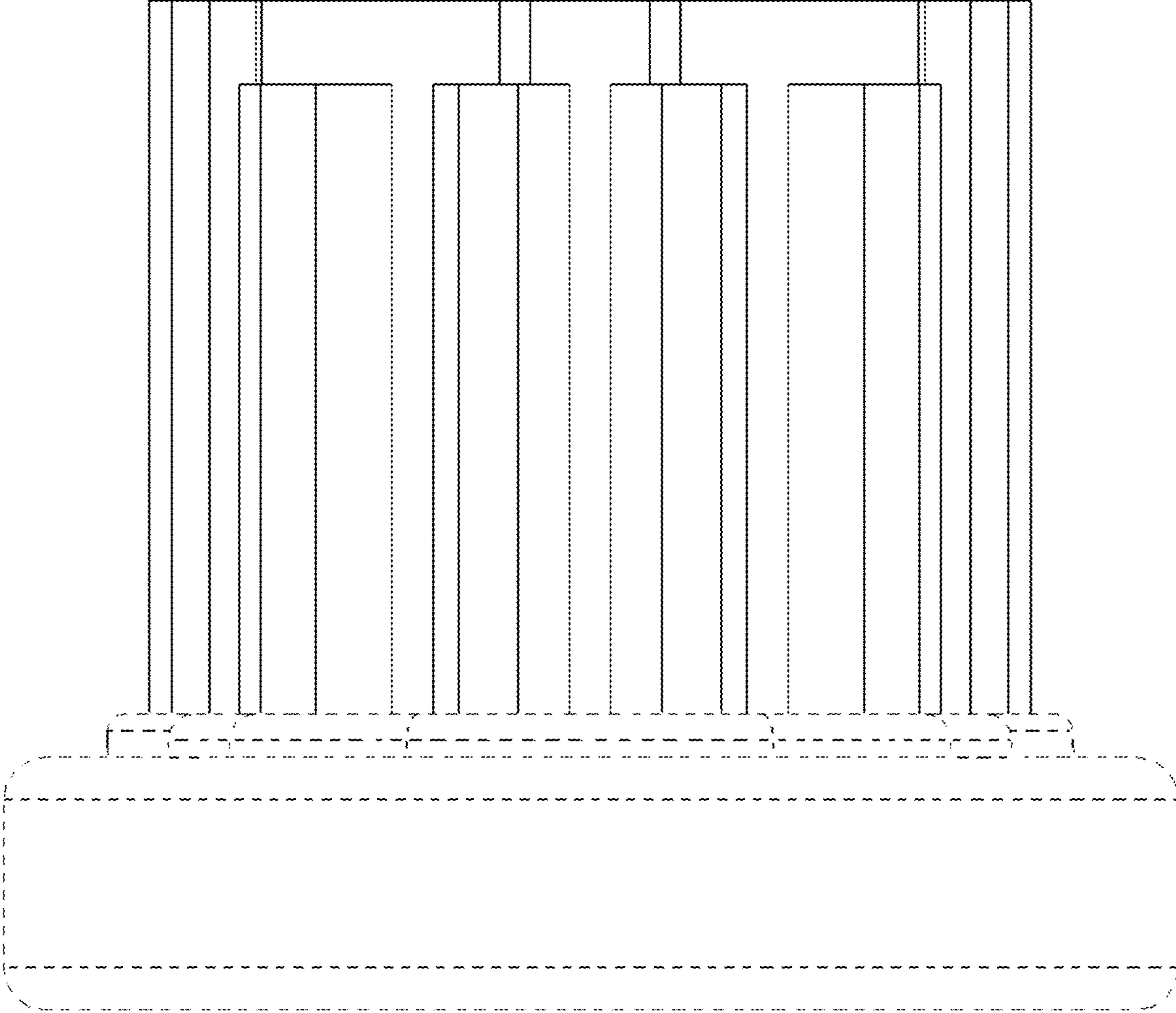


FIG. 5

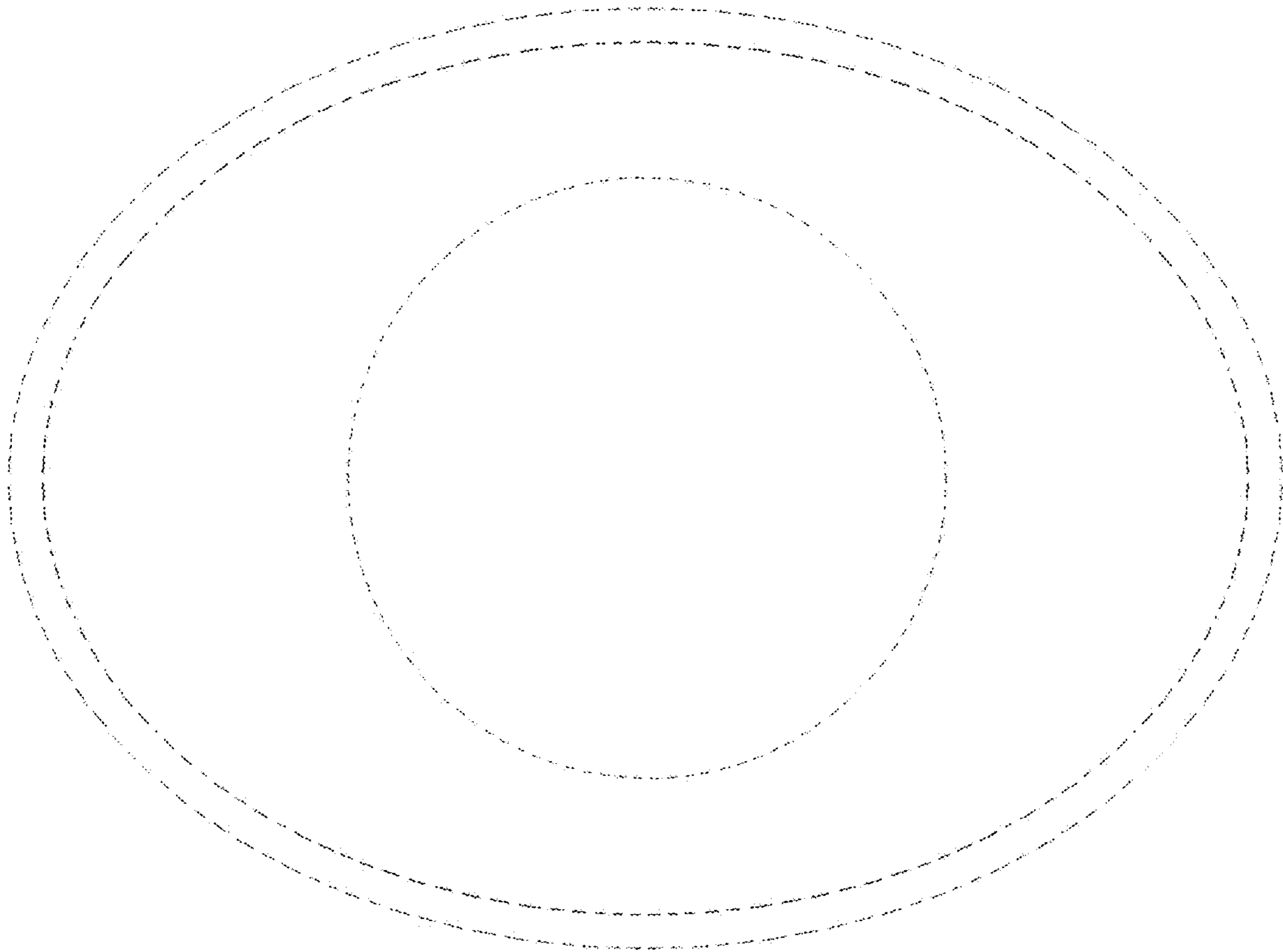


FIG. 6

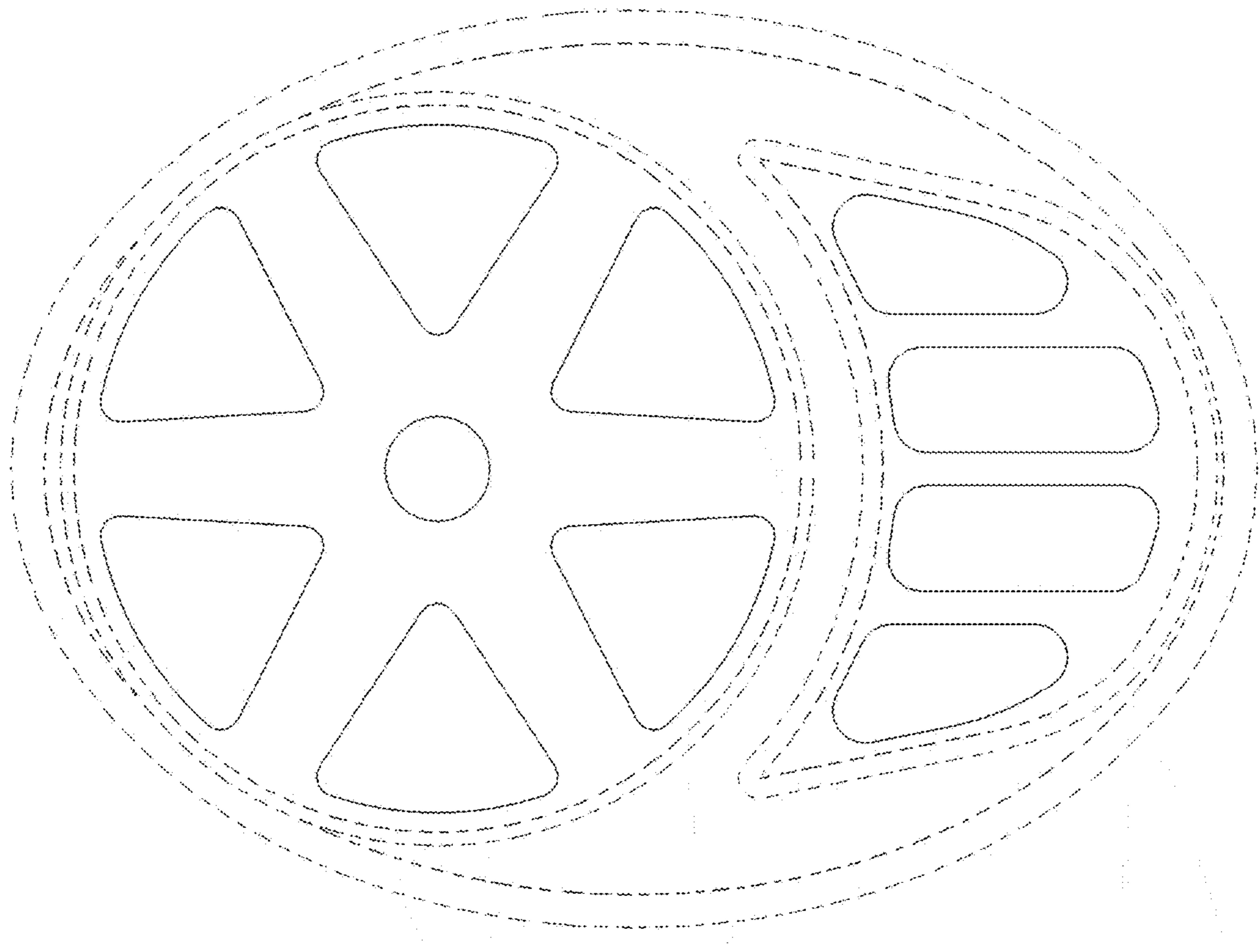


FIG. 7