



US00D868479S

(12) **United States Design Patent** (10) **Patent No.:** **US D868,479 S**
Papazian (45) **Date of Patent:** **** Dec. 3, 2019**

(54) **TOOTHBRUSH HEAD**
(71) Applicant: **Mihran Papazian**, Granada Hills, CA (US)
(72) Inventor: **Mihran Papazian**, Granada Hills, CA (US)
(**) Term: **15 Years**
(21) Appl. No.: **29/650,116**
(22) Filed: **Jun. 4, 2018**
(51) **LOC (12) Cl.** **04-02**
(52) **U.S. Cl.**
USPC **D4/101**
(58) **Field of Classification Search**
USPC D4/100, 101, 102, 107, 108, 109, 110, D4/111, 114, 116, 121, 125, 127, 128, D4/130, 132, 133, 134, 138, 199
See application file for complete search history.

2015/0257520 A1* 9/2015 Stoerkel A46B 9/04 15/104.93
2019/0014898 A1* 1/2019 Newman A46B 9/06
2019/0104840 A1* 4/2019 Mark A46D 1/0238

FOREIGN PATENT DOCUMENTS

CN 304324643 * 10/2017

OTHER PUBLICATIONS

“[T]he revolutionary california based startup in oral care,” [on-line]. Published at least as early as Aug. 18, 2018; retrieved from the Internet Jul. 22, 2019. URL: <https://web.archive.org/web/20180818132923/https://brushette.com/> (Year: 2018).*

* cited by examiner

Primary Examiner — Karen E Eldridge Powers

(57) **CLAIM**

The ornamental design for a toothbrush head, as shown and described.

DESCRIPTION

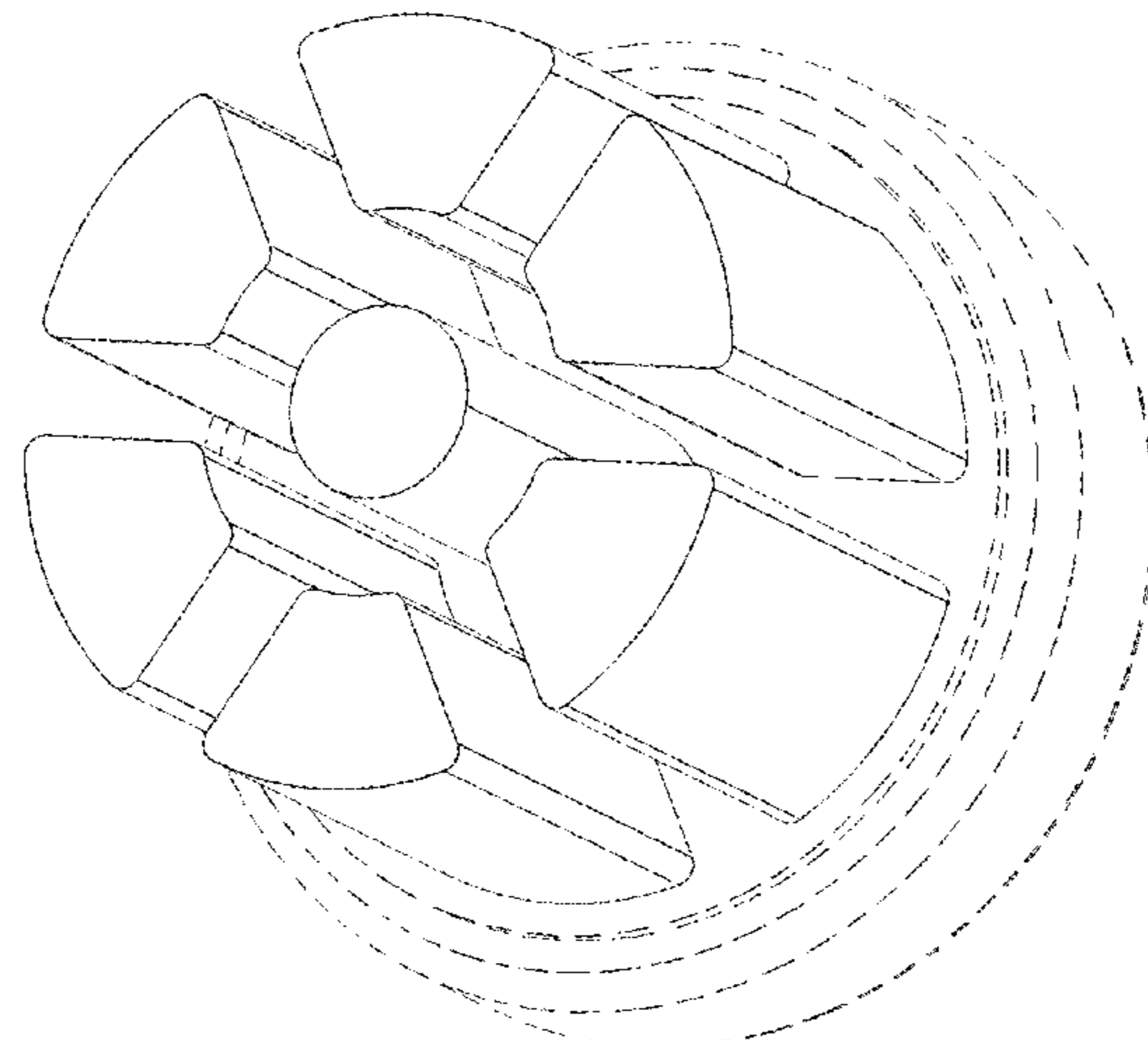
FIG. 1 is a top perspective view of a toothbrush head showing my new design;
FIG. 2 is a front elevation view of the design shown in FIG. 1;
FIG. 3 is a left side elevation view of the design shown in FIG. 1;
FIG. 4 is a right side elevation view of the design shown in FIG. 1;
FIG. 5 is a rear elevation view of the design shown in FIG. 1;
FIG. 6 is a bottom plan view of the design shown in FIG. 1; and,
FIG. 7 is a top plan view of the design shown in FIG. 1. The broken lines showing the bristle support portion of the toothbrush head from no part of the claimed design.

(56) **References Cited**

U.S. PATENT DOCUMENTS

3,356,419 A * 12/1967 Peck A46B 3/22 300/21
D422,143 S * 4/2000 Beals D4/104
D657,565 S * 4/2012 Gebski D4/101
8,387,196 B2 * 3/2013 Jimenez A46B 9/06 15/110
8,595,886 B2 * 12/2013 Edelstein A46B 5/026 15/167.1
8,696,964 B2 * 4/2014 Hohlbein A46B 9/028 15/167.1
10,178,907 B2 * 1/2019 Hohlbein A46B 9/025
2007/0254260 A1 * 11/2007 Alden, IV A46B 15/0055 433/85
2011/0047736 A1 * 3/2011 Jimenez A46B 9/04 15/167.2
2013/0007968 A1 * 1/2013 Driesen A46B 9/025 15/22.1

1 Claim, 7 Drawing Sheets



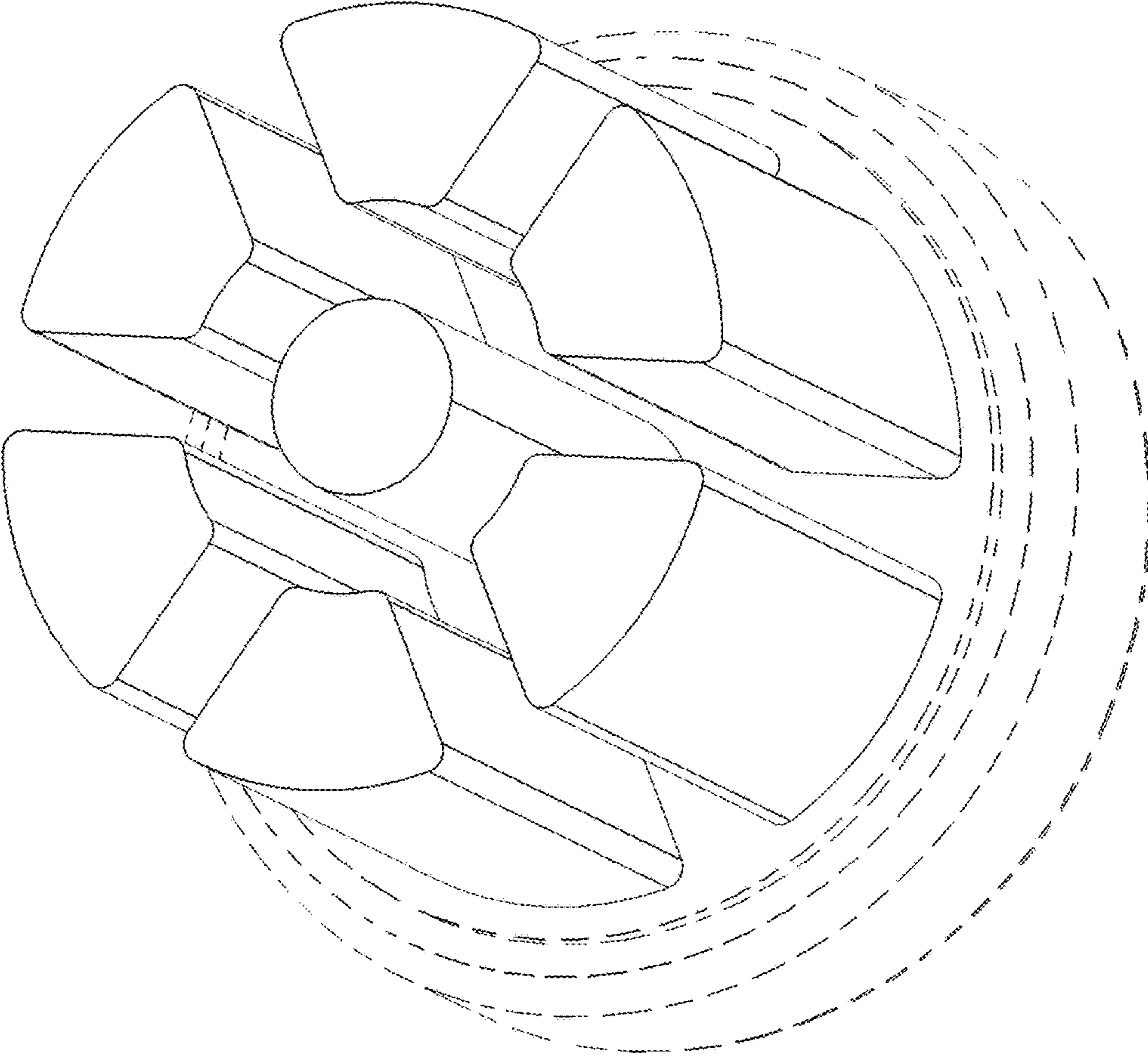


FIG. 1

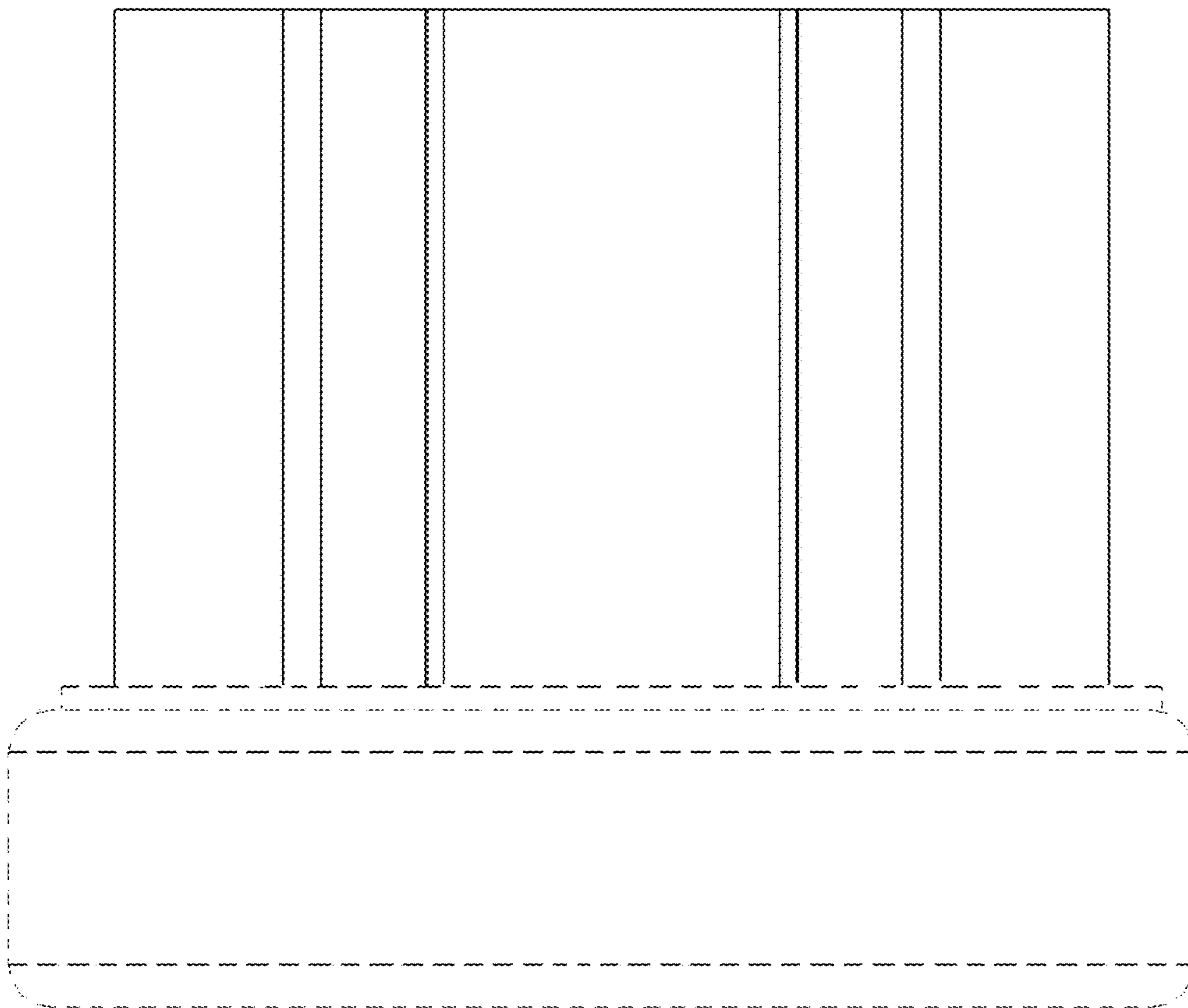


FIG. 2

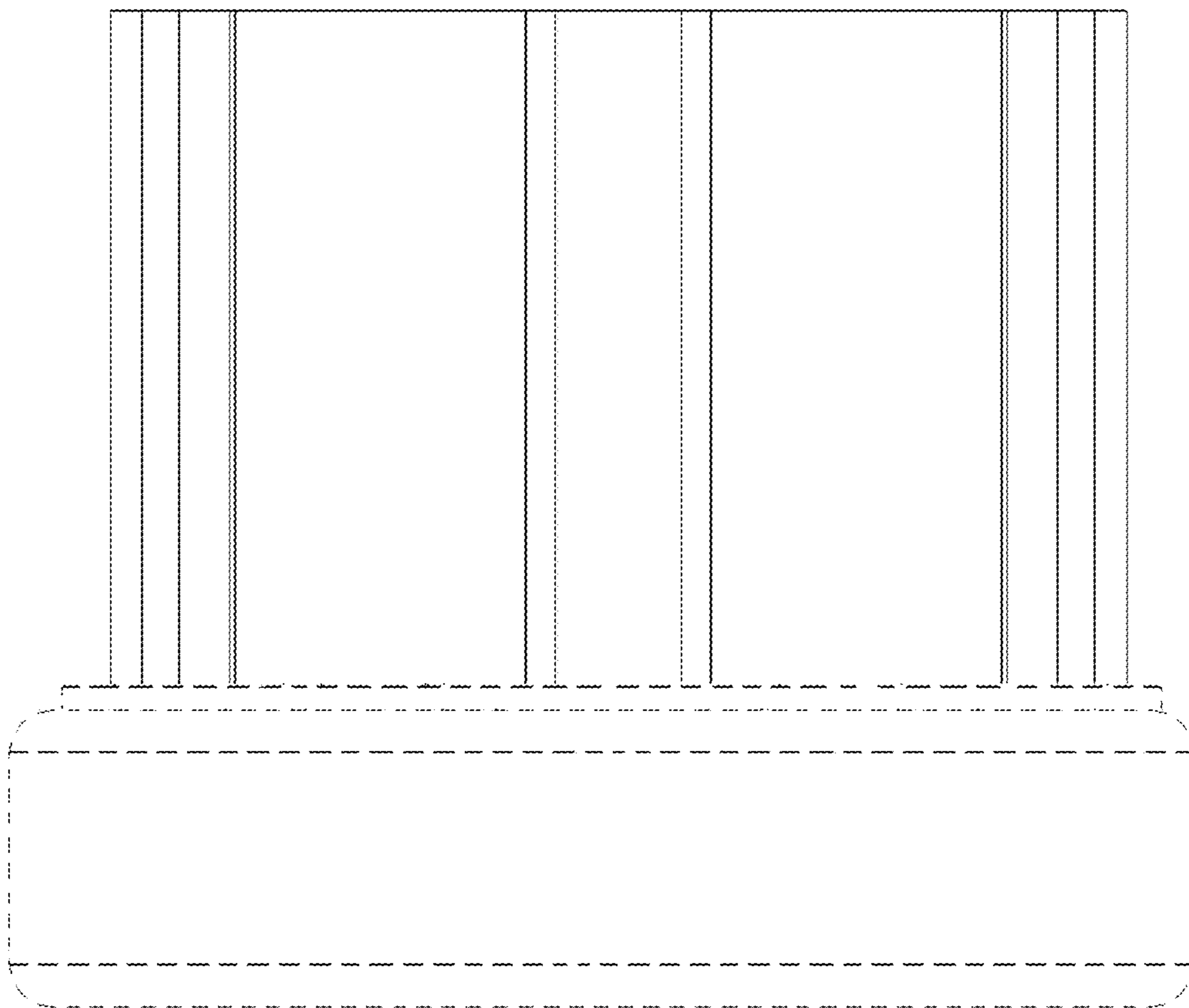


FIG. 3

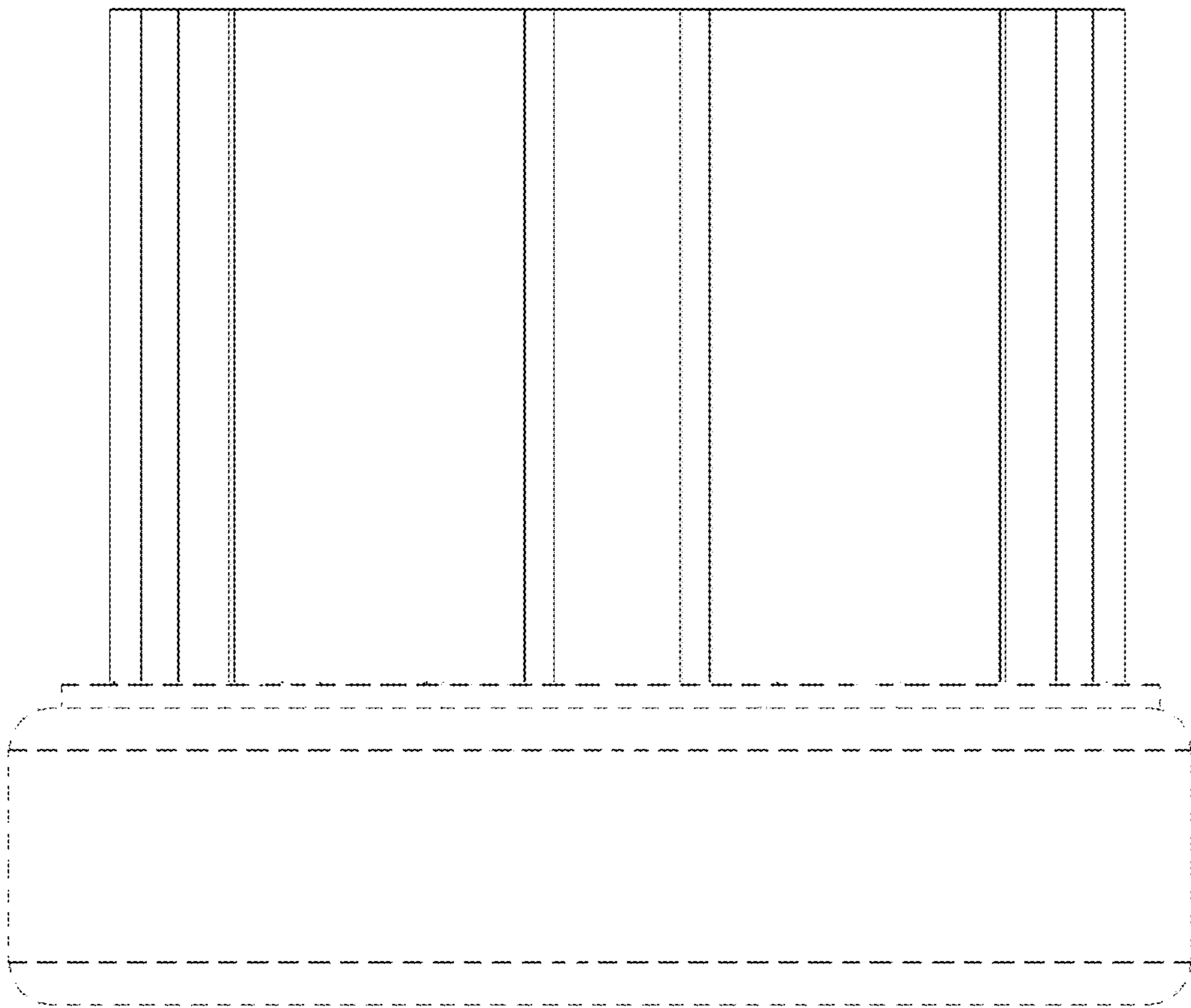


FIG. 4

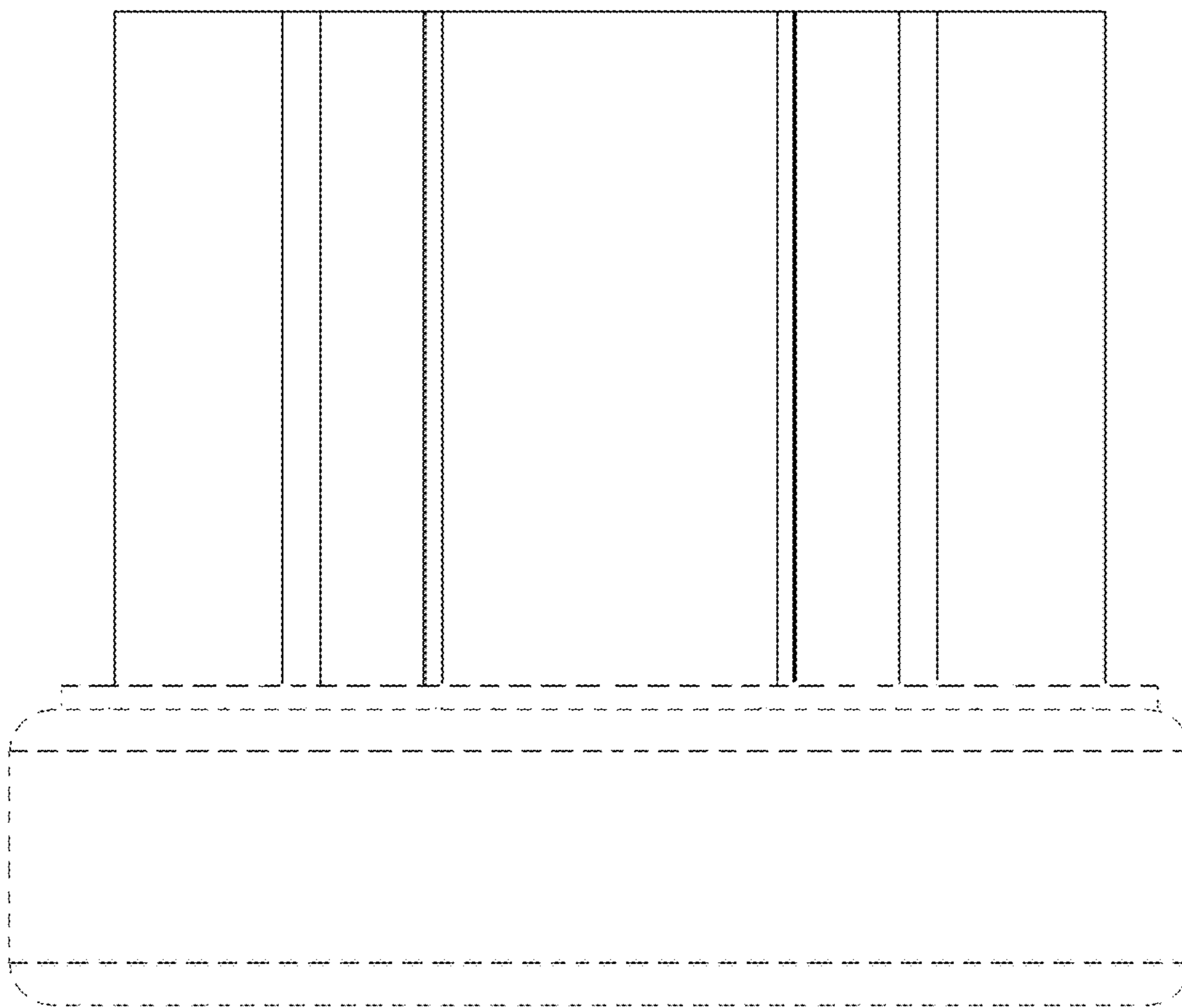


FIG. 5

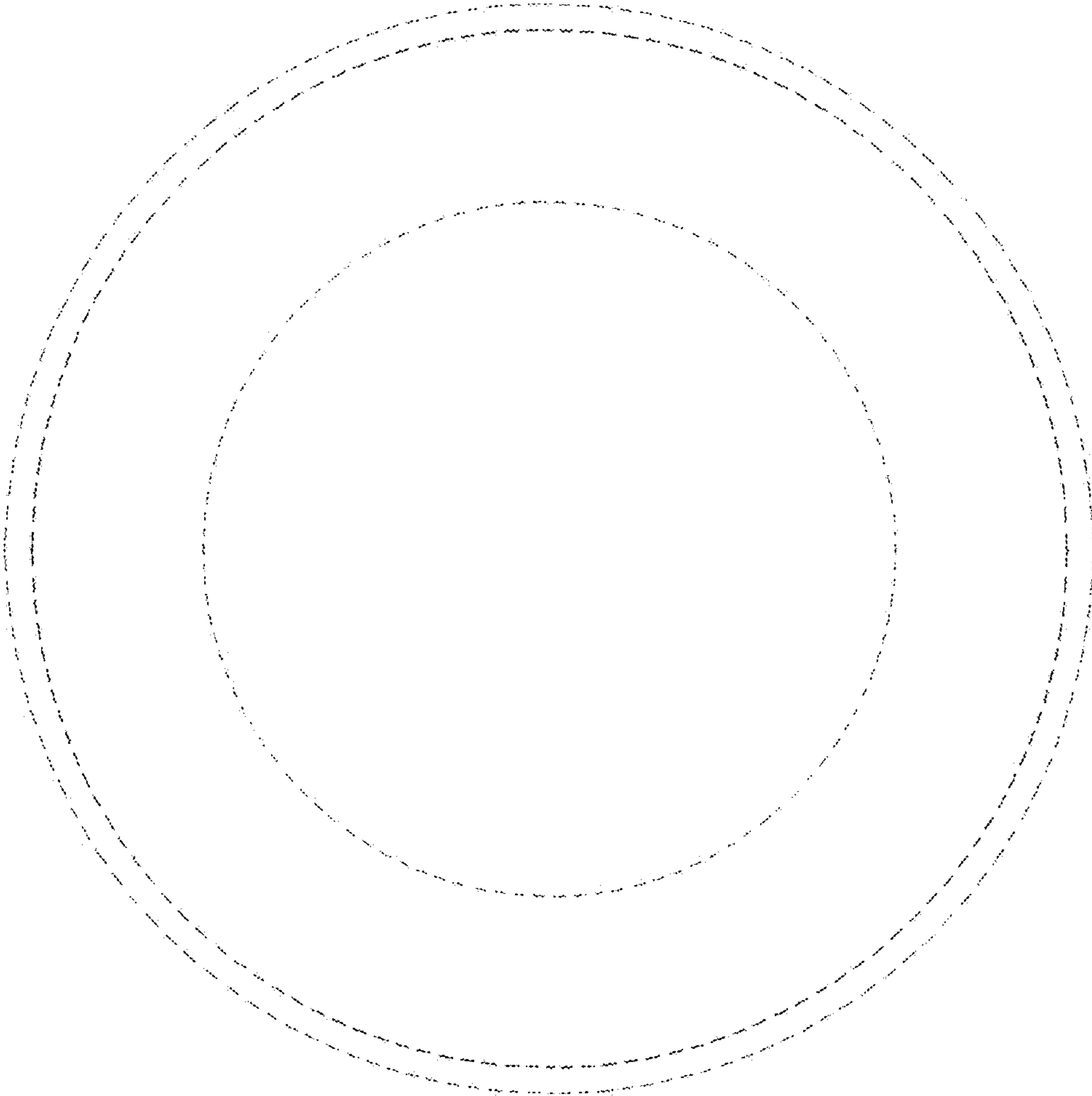


FIG. 6

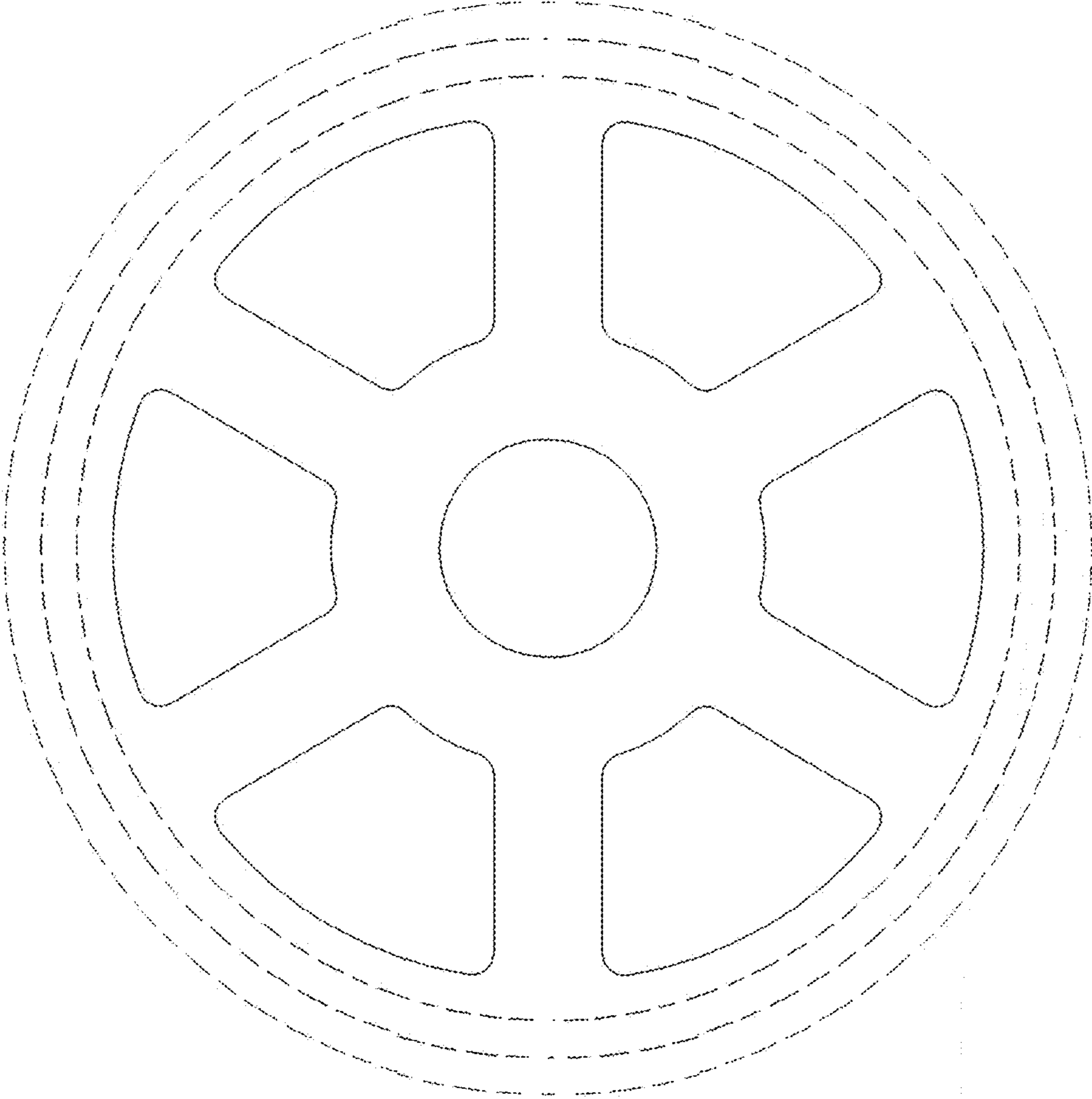


FIG. 7