



US00D868475S

(12) **United States Design Patent**
Zhong

(10) **Patent No.:** **US D868,475 S**

(45) **Date of Patent:** **** Dec. 3, 2019**

(54) **HAND STRAP**

(71) Applicant: **GETAC TECHNOLOGY CORPORATION**, Hsinchu County (TW)

(72) Inventor: **Shi Liang Zhong**, Taipei (TW)

(73) Assignee: **Getac Technology Corporation**, Hsinchu County (TW)

(**) Term: **15 Years**

(21) Appl. No.: **29/657,214**

(22) Filed: **Jul. 19, 2018**

(51) **LOC (12) Cl.** **03-01**

(52) **U.S. Cl.**
USPC **D3/327; D3/318**

(58) **Field of Classification Search**
USPC **D3/318, 327**
CPC **A45F 5/10; A45F 5/14; A45F 3/04; A63B 55/00; A45C 3/00**

See application file for complete search history.

(56) **References Cited**

U.S. PATENT DOCUMENTS

6,916,104	B2 *	7/2005	Parsons	F21L 4/005 362/109
7,014,210	B2 *	3/2006	Manninen	A63C 11/222 280/821
D646,895	S *	10/2011	Nolan	A45F 3/14 D3/327
D734,742	S *	7/2015	Fujioka	D14/217
9,427,071	B2 *	8/2016	Rayner	A45F 5/10
2009/0219677	A1 *	9/2009	Mori	A45F 3/14 361/679.03

2011/0299231	A1 *	12/2011	Gaddis, II	H05K 5/023 361/679.01
2014/0361057	A1 *	12/2014	Gardner	A45F 5/00 224/222
2015/0173497	A1 *	6/2015	Yu	A45F 5/00 224/218

* cited by examiner

Primary Examiner — Holly H Baynham

(57) **CLAIM**

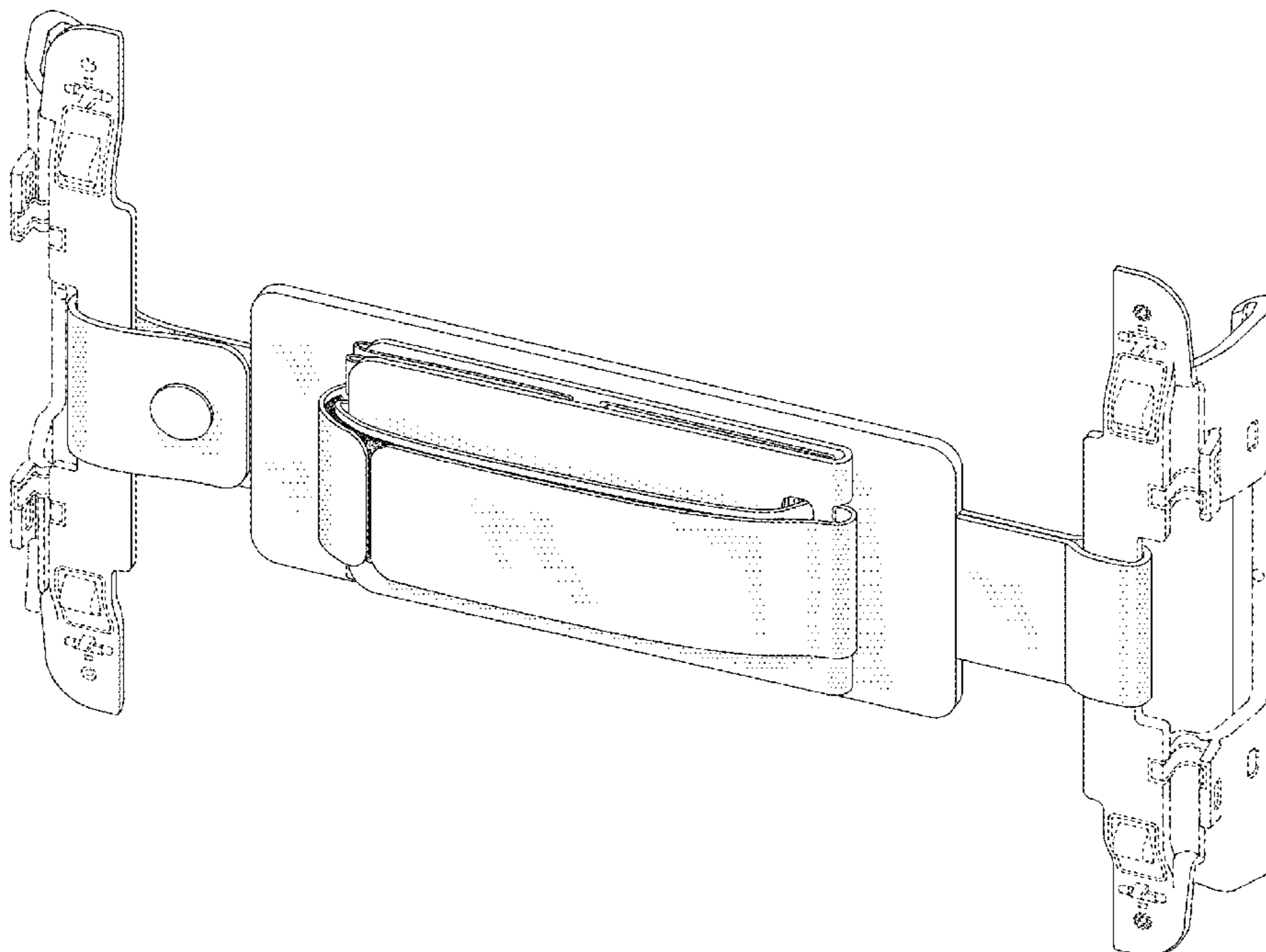
The ornamental design for a hand strap, as shown and described.

DESCRIPTION

FIG. 1 is a perspective view of a hand strap showing my new design;
 FIG. 2 is a front view thereof;
 FIG. 3 is a rear view thereof;
 FIG. 4 is a left side view thereof;
 FIG. 5 is a right side view thereof;
 FIG. 6 is a top view thereof;
 FIG. 7 is a bottom view thereof;
 FIG. 8 is another perspective view showing the hand strap being in a usage state;
 FIG. 9 is another perspective view showing the hand strap for use with a portable electronic device; and,
 FIG. 10 is another perspective view showing the hand strap to support a portable electronic device.

The broken lines shown as dot-dash represent the bounds of the claim and all other broken lines showing the electronic device and the bracket elements are for the purposes of illustrating the environment. None of the broken lines form a part of the claimed design.

1 Claim, 10 Drawing Sheets



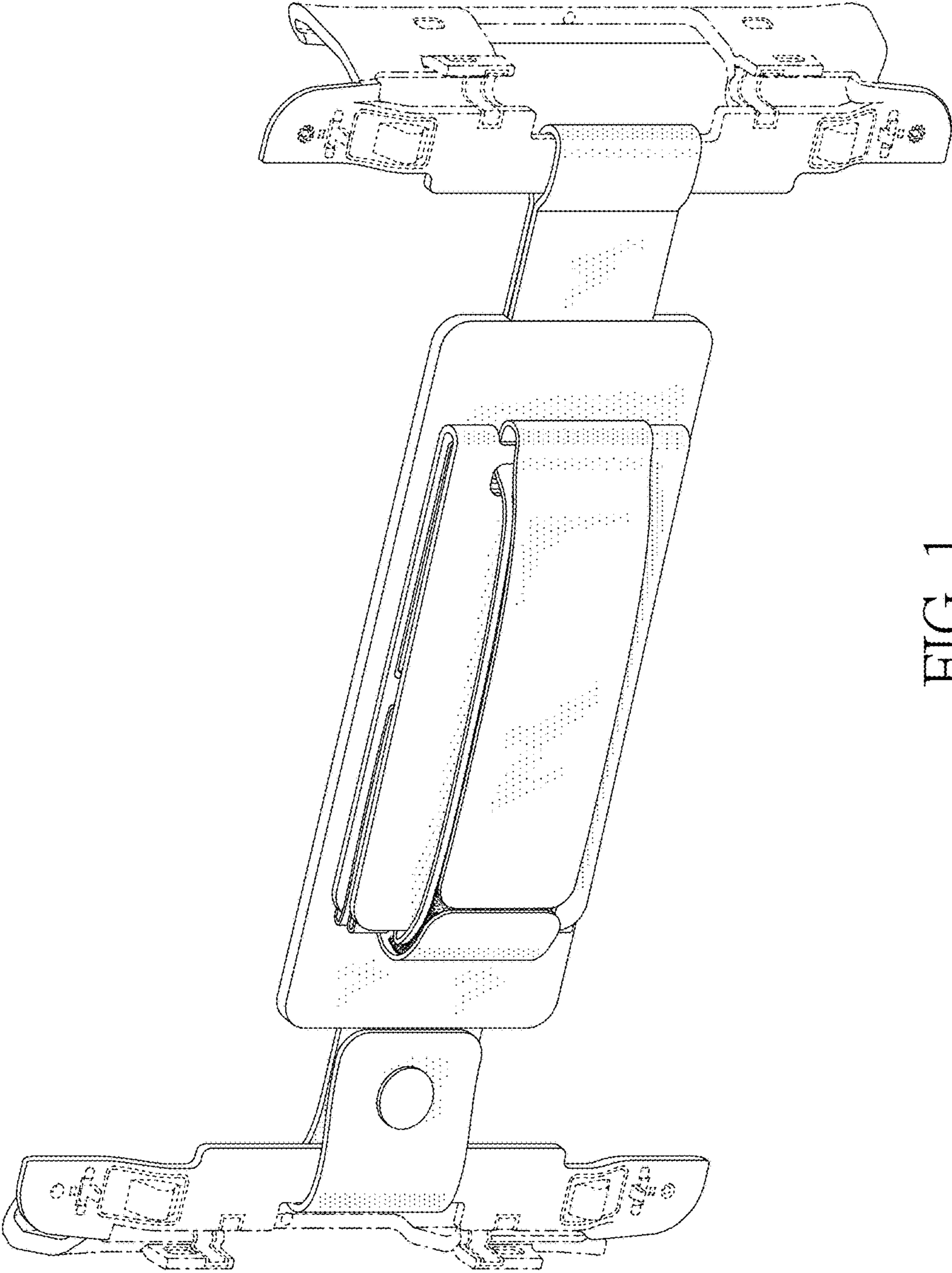


FIG. 1

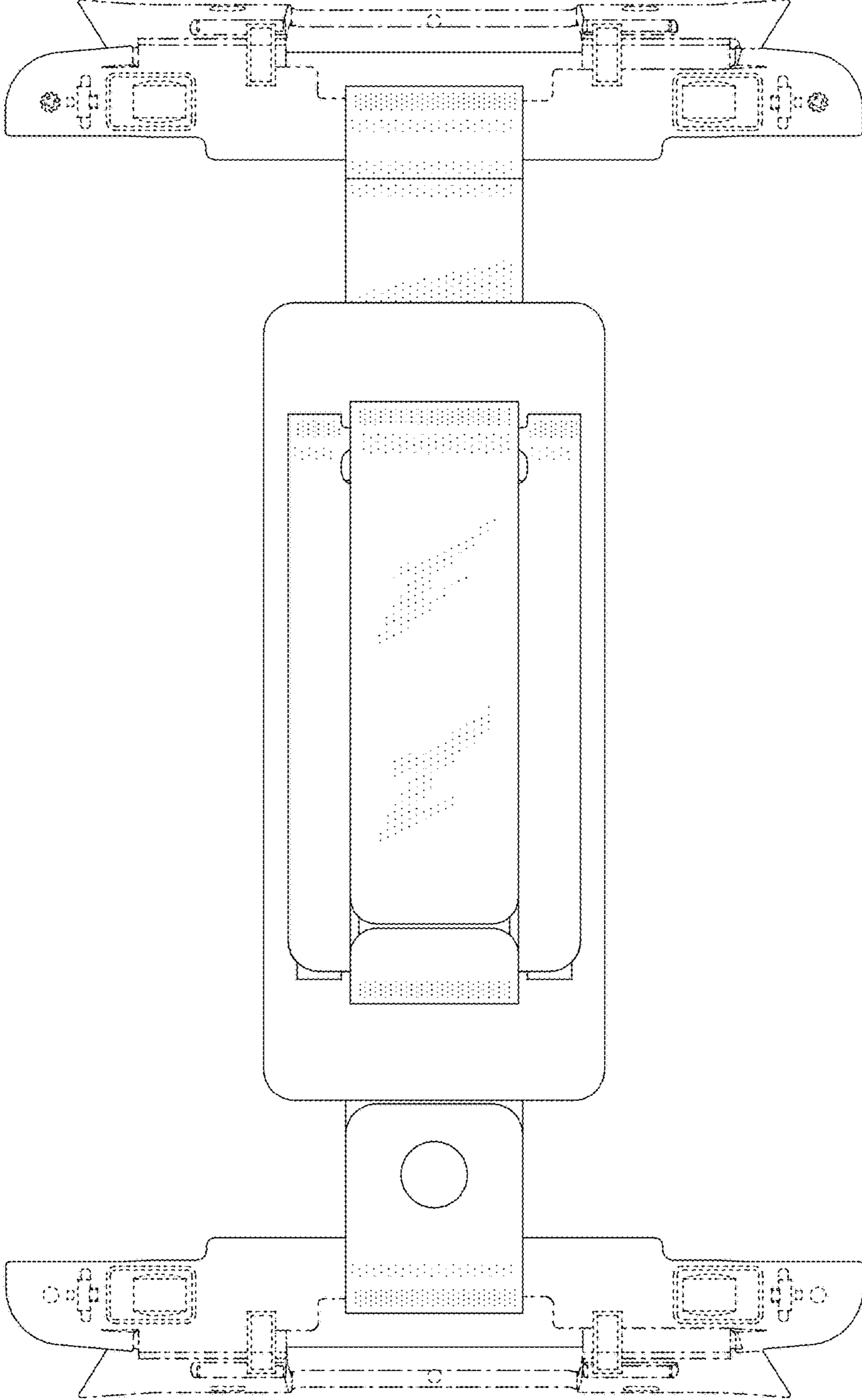


FIG. 2

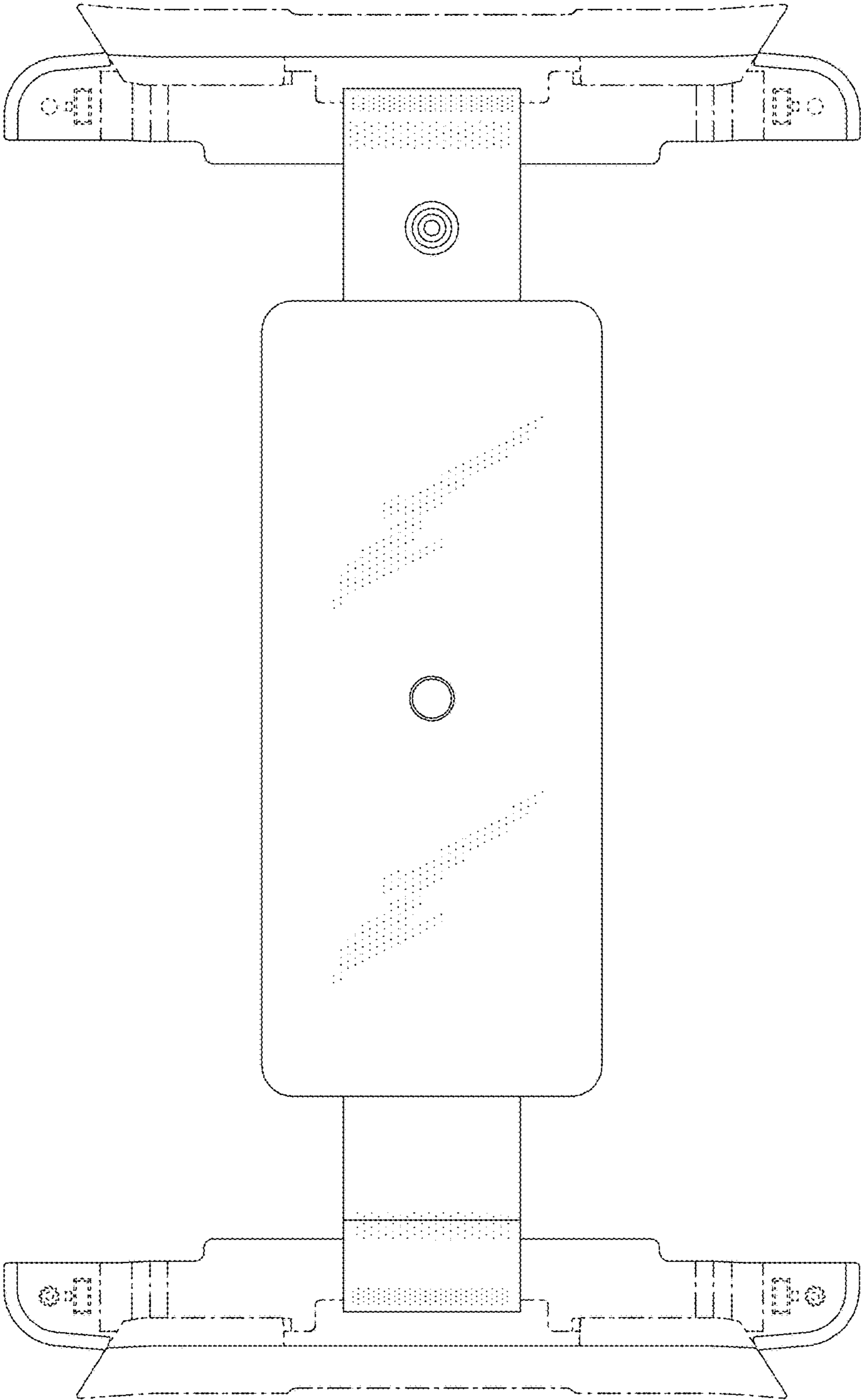


FIG. 3

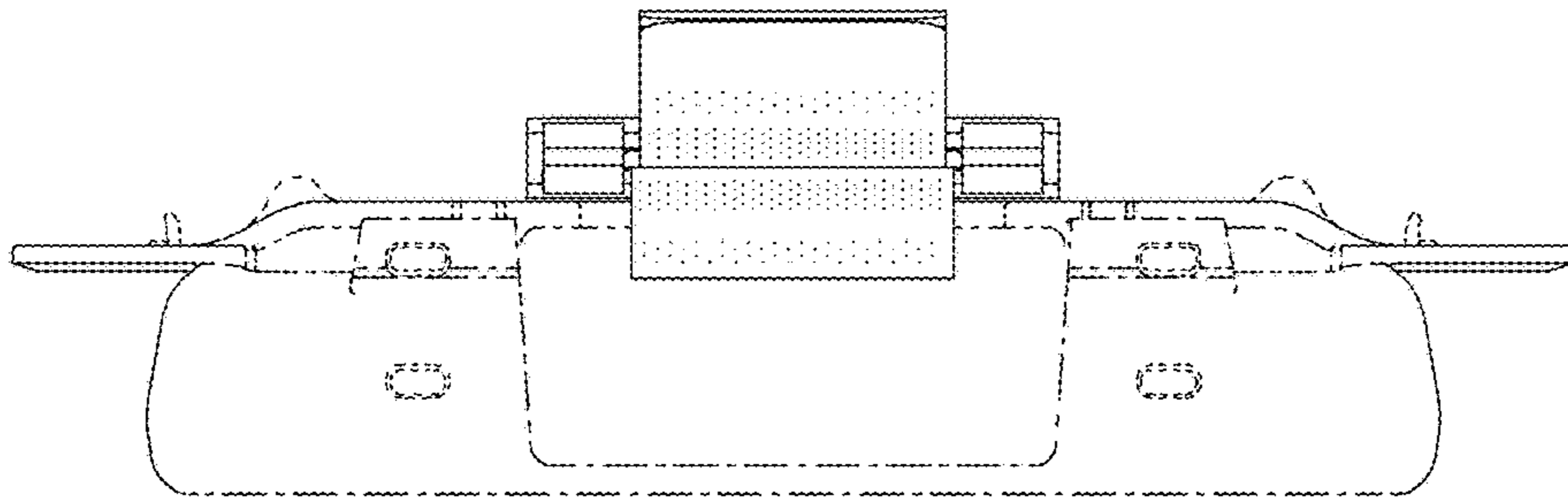


FIG. 4

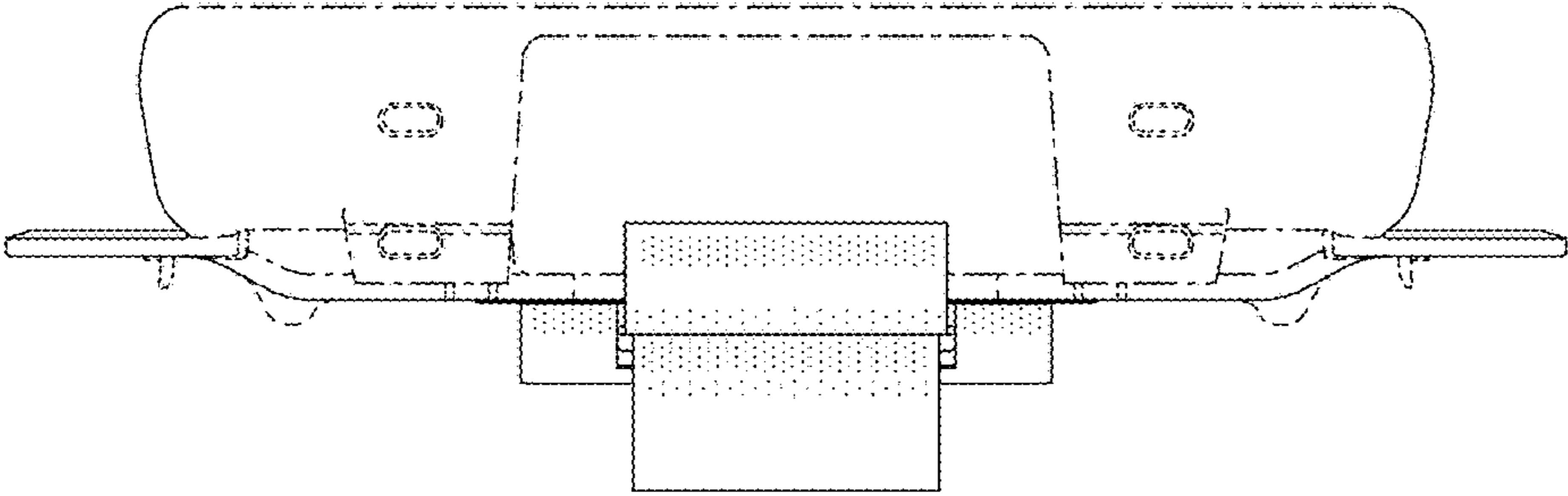


FIG. 5

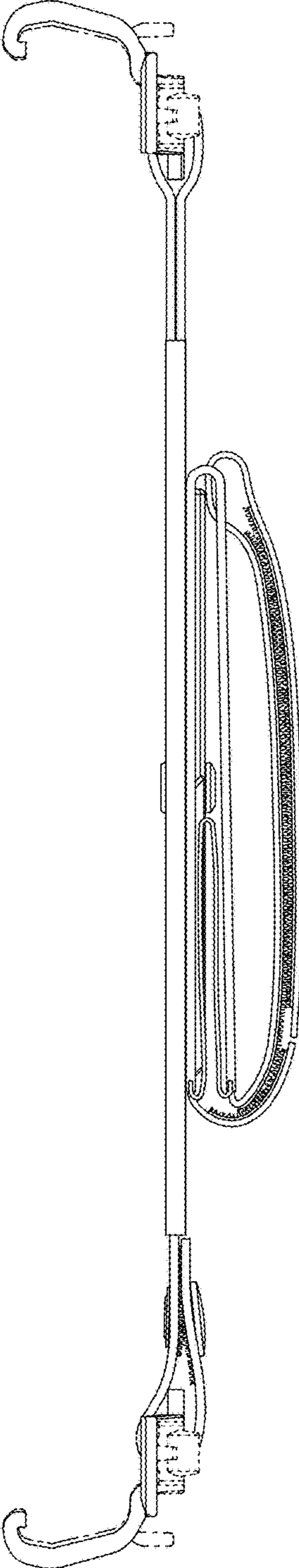


FIG. 6

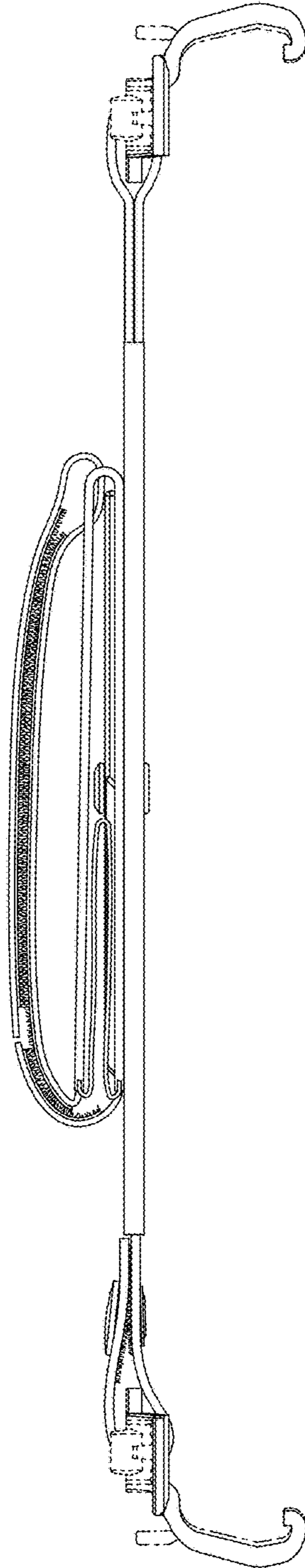


FIG. 7

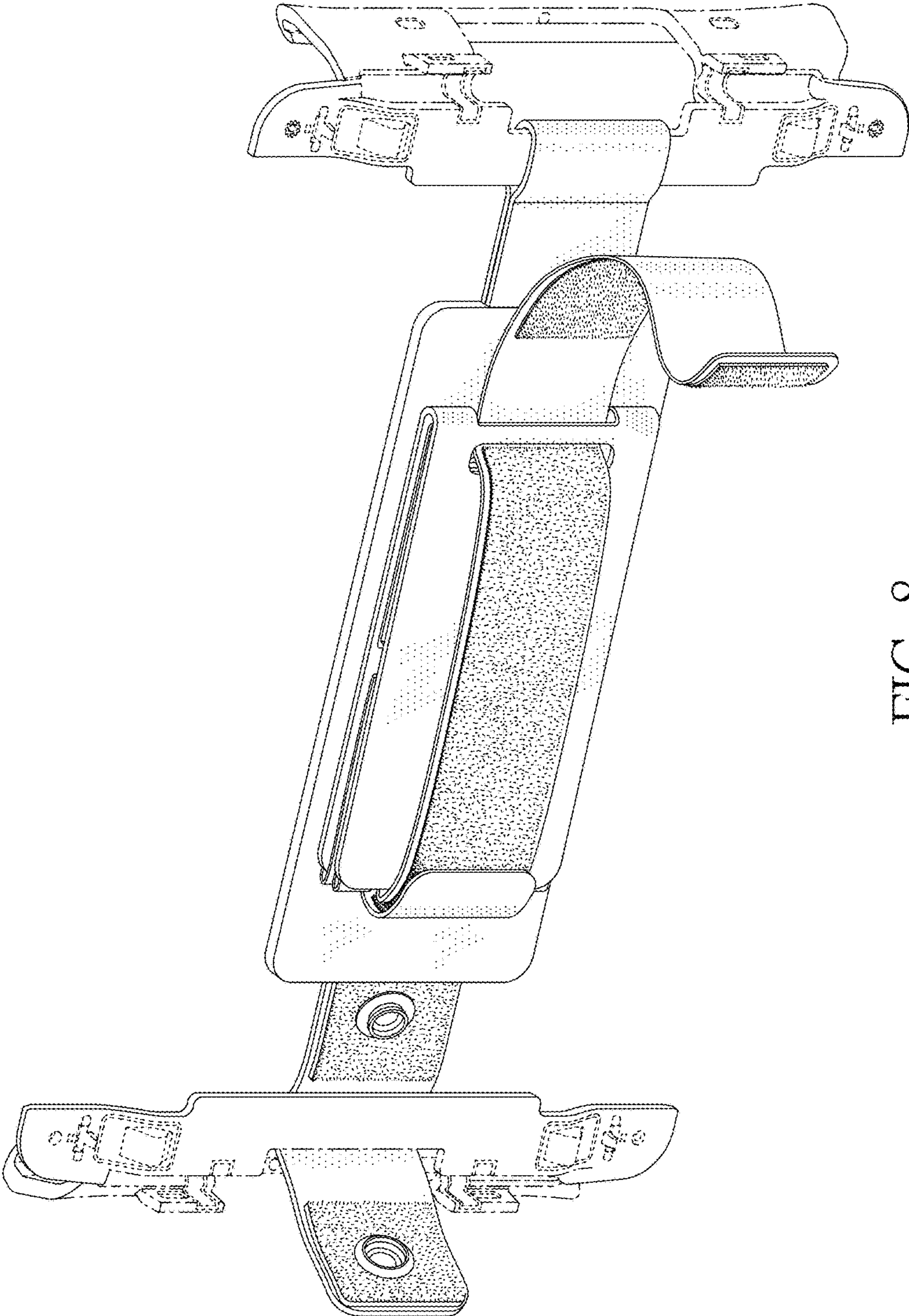


FIG. 8

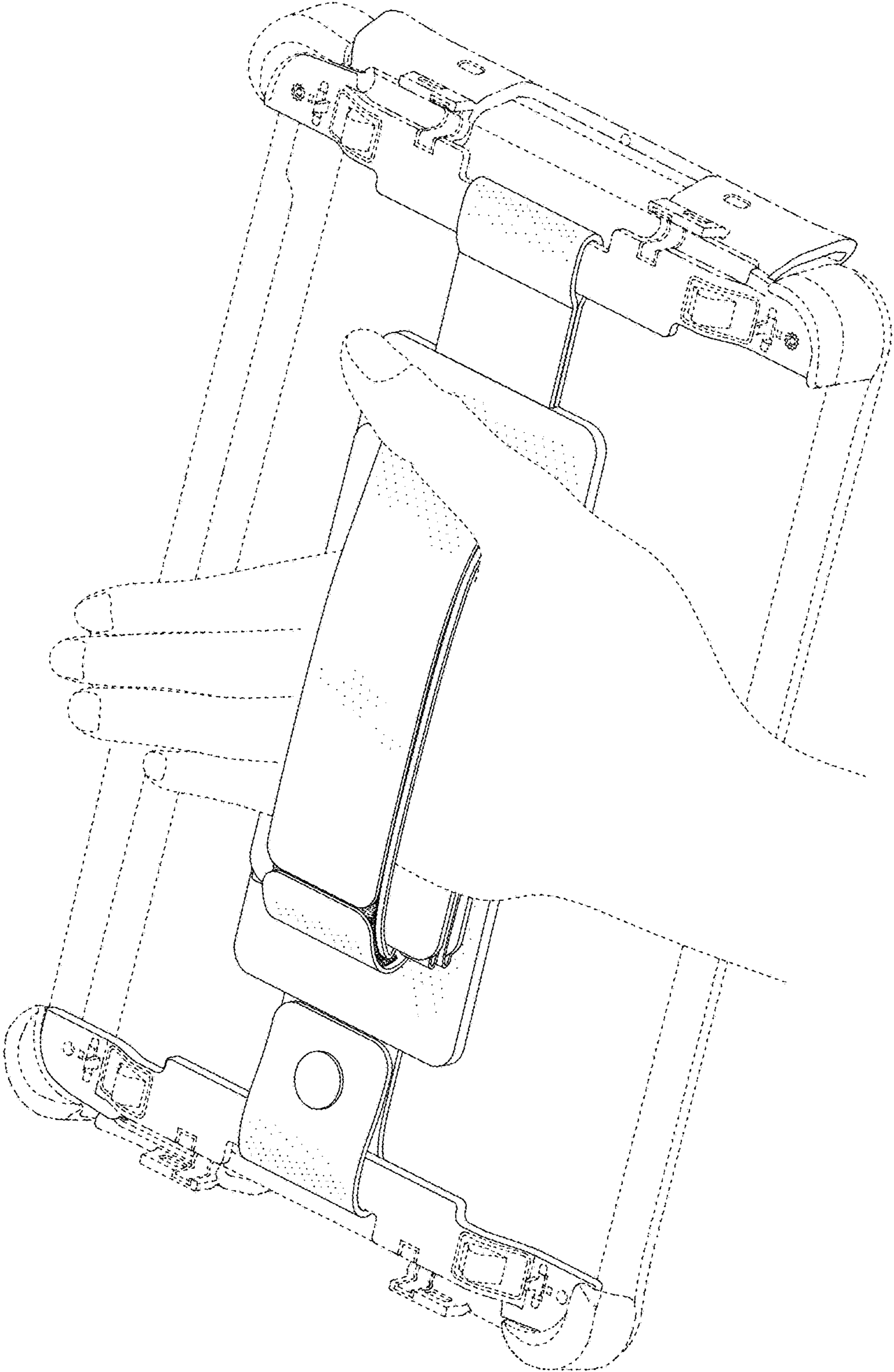


FIG. 9

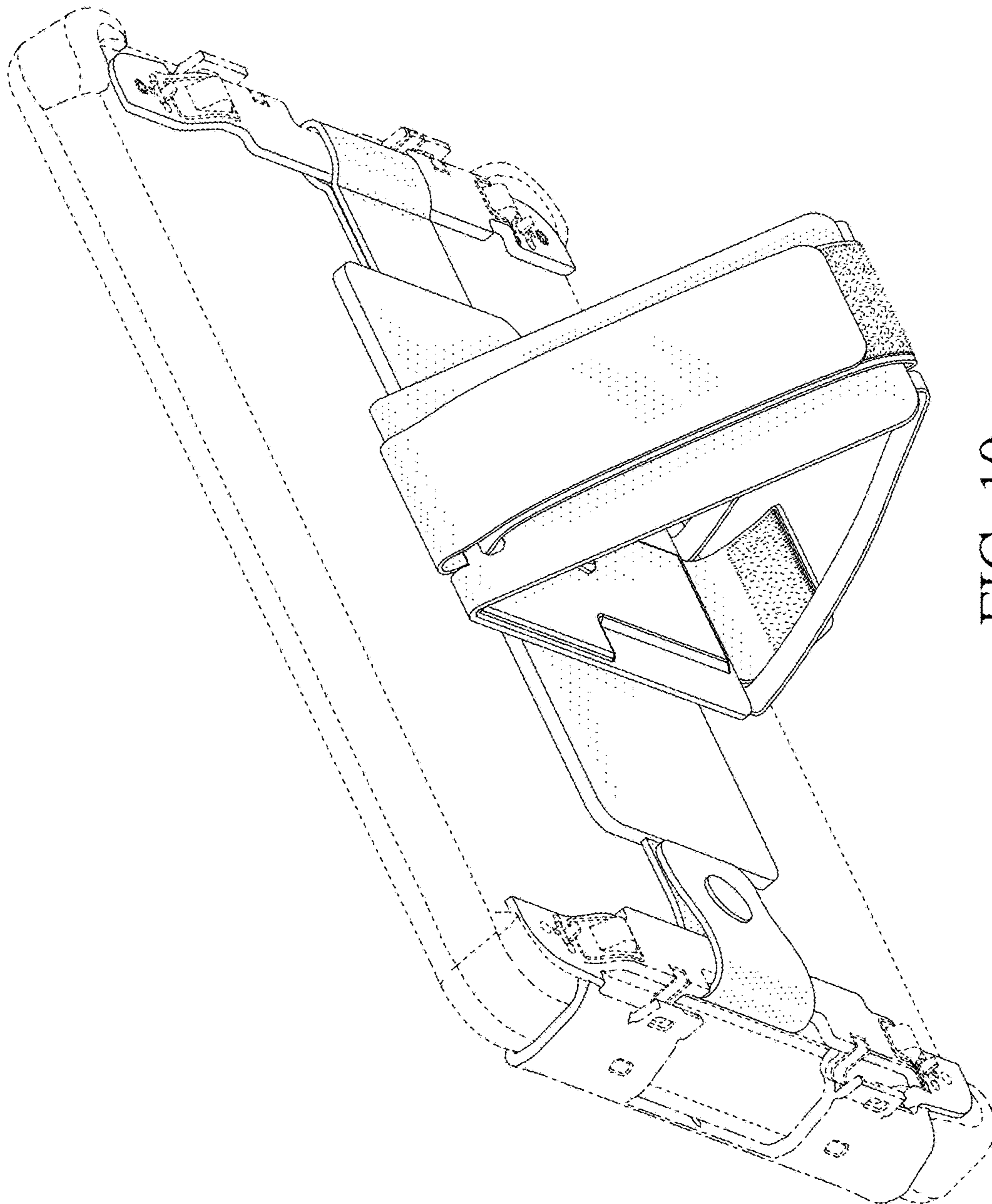


FIG. 10