



US00D868470S

(12) **United States Design Patent** (10) **Patent No.:** **US D868,470 S**
Moon (45) **Date of Patent:** **** Dec. 3, 2019**

(54) **PANEL FOR A SUITCASE**
(71) Applicant: **FTI GROUP (HOLDING) COMPANY LIMITED**, Grand Cayman (KY)
(72) Inventor: **Jerry Moon**, Taipei (TW)
(73) Assignee: **FTI GROUP (HOLDING) COMPANY LIMITED**, Grand Cayman (KY)

D789,691 S * 6/2017 Burns D3/318
D797,456 S * 9/2017 Chen D3/318
9,968,170 B2 * 5/2018 Morszeck A45C 5/02
D821,098 S * 6/2018 Sheikh D3/318
10,334,927 B2 * 7/2019 Korey A45C 5/06

* cited by examiner

Primary Examiner — Holly H Baynham
(74) *Attorney, Agent, or Firm* — Rabin & Berdo, P.C.

(**) Term: **15 Years**

(57) **CLAIM**

(21) Appl. No.: **29/656,778**

The ornamental design for a panel for a suitcase, as shown and described.

(22) Filed: **Jul. 16, 2018**

(51) **LOC (12) Cl.** **03-01**

(52) **U.S. Cl.**
USPC **D3/318**

DESCRIPTION

(58) **Field of Classification Search**
USPC D3/273, 279, 285, 289
CPC A45C 5/04; A45C 5/06; A45C 5/08; A45C 5/14; A45C 2005/037; A45C 5/03; A45C 13/002; A45C 5/146; A45C 7/00
See application file for complete search history.

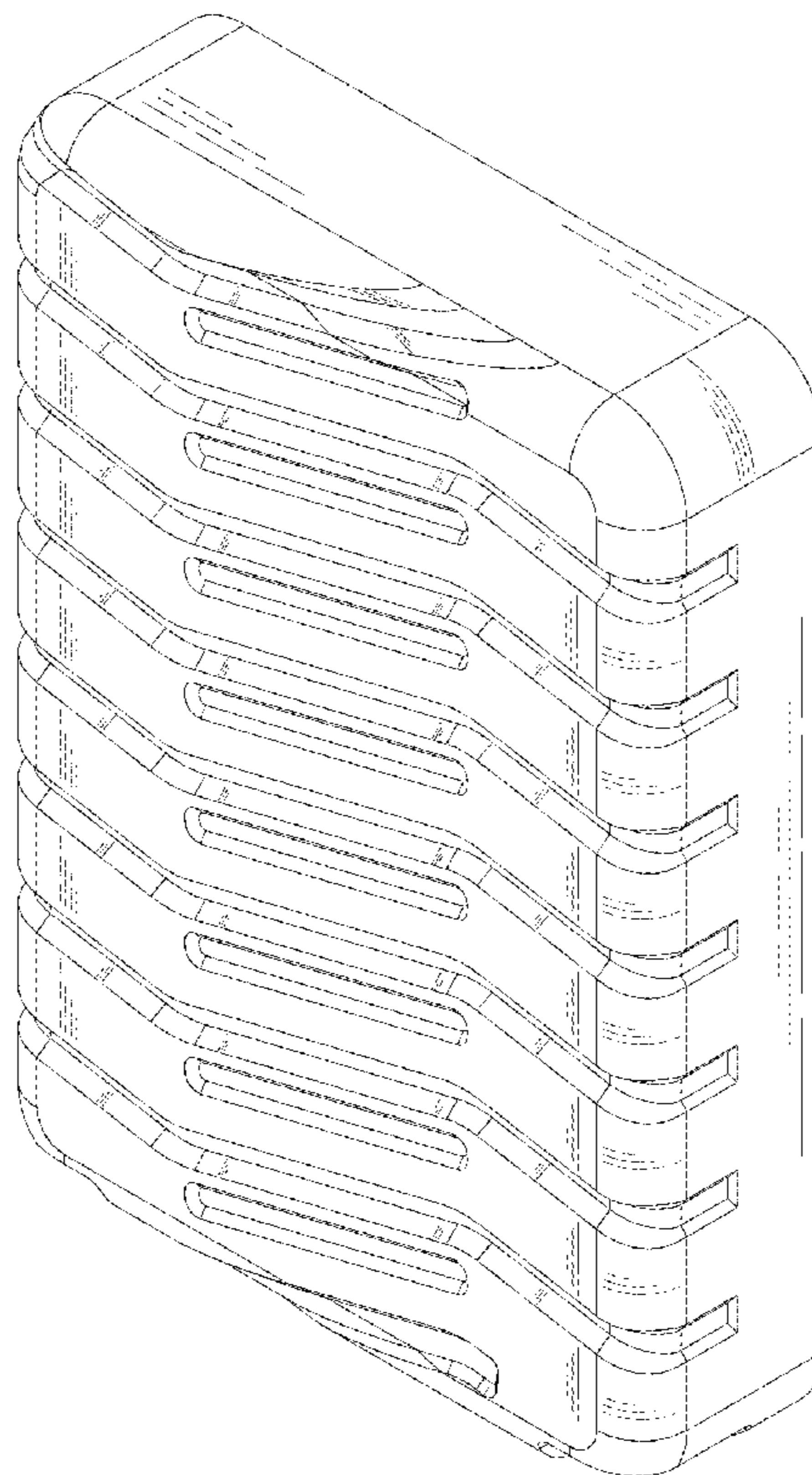
FIG. 1 is a front perspective view of a panel for a suitcase showing my new design;
FIG. 2 is a front view thereof;
FIG. 3 is a rear view thereof;
FIG. 4 is a left side view thereof;
FIG. 5 is a right side view thereof;
FIG. 6 is a top view thereof;
FIG. 7 is a bottom view thereof; and,
FIG. 8 is a rear perspective view thereof.

(56) **References Cited**

U.S. PATENT DOCUMENTS

D664,355 S * 7/2012 Moon D3/279
D783,289 S * 4/2017 Moon D3/321

1 Claim, 6 Drawing Sheets



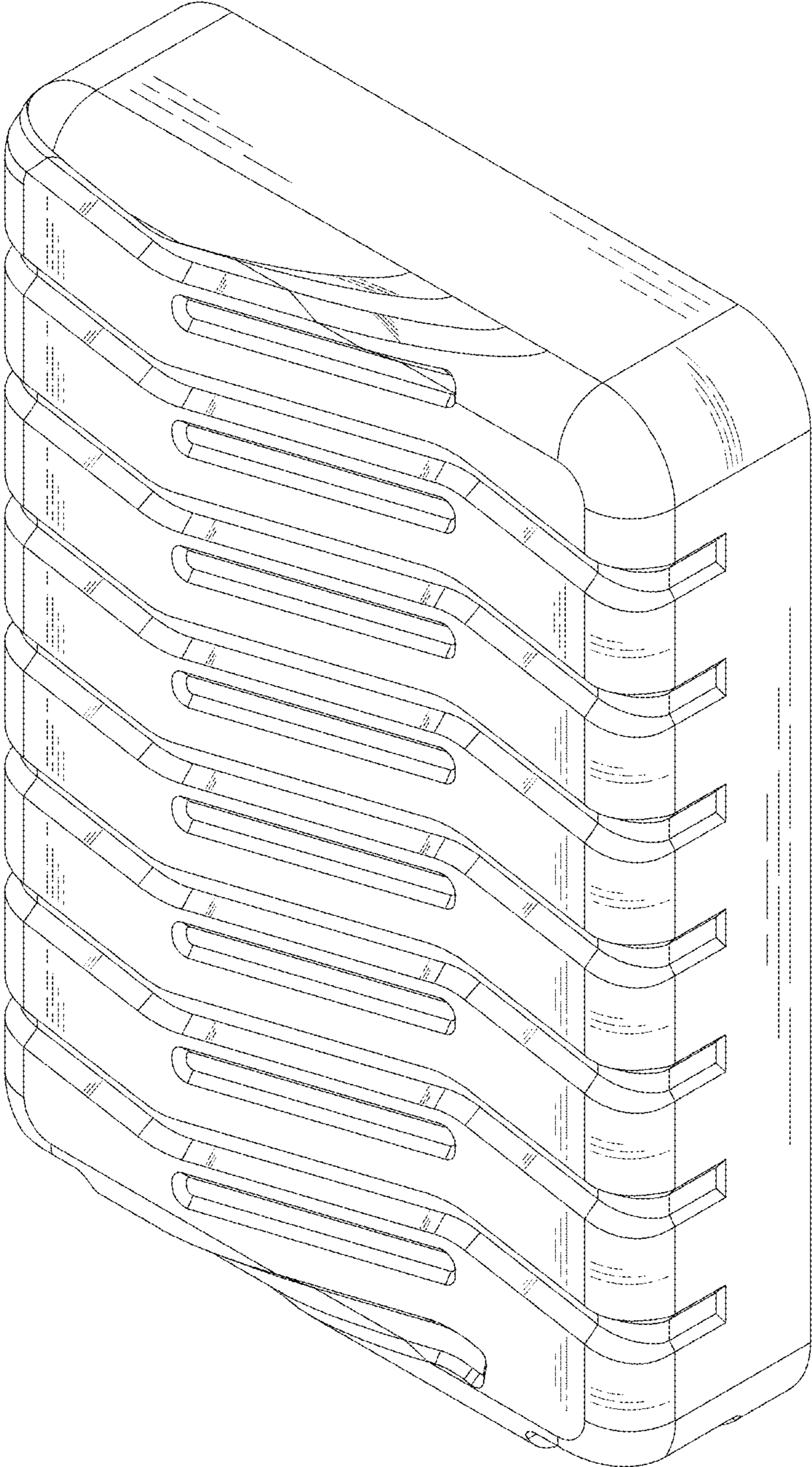


FIG. 1

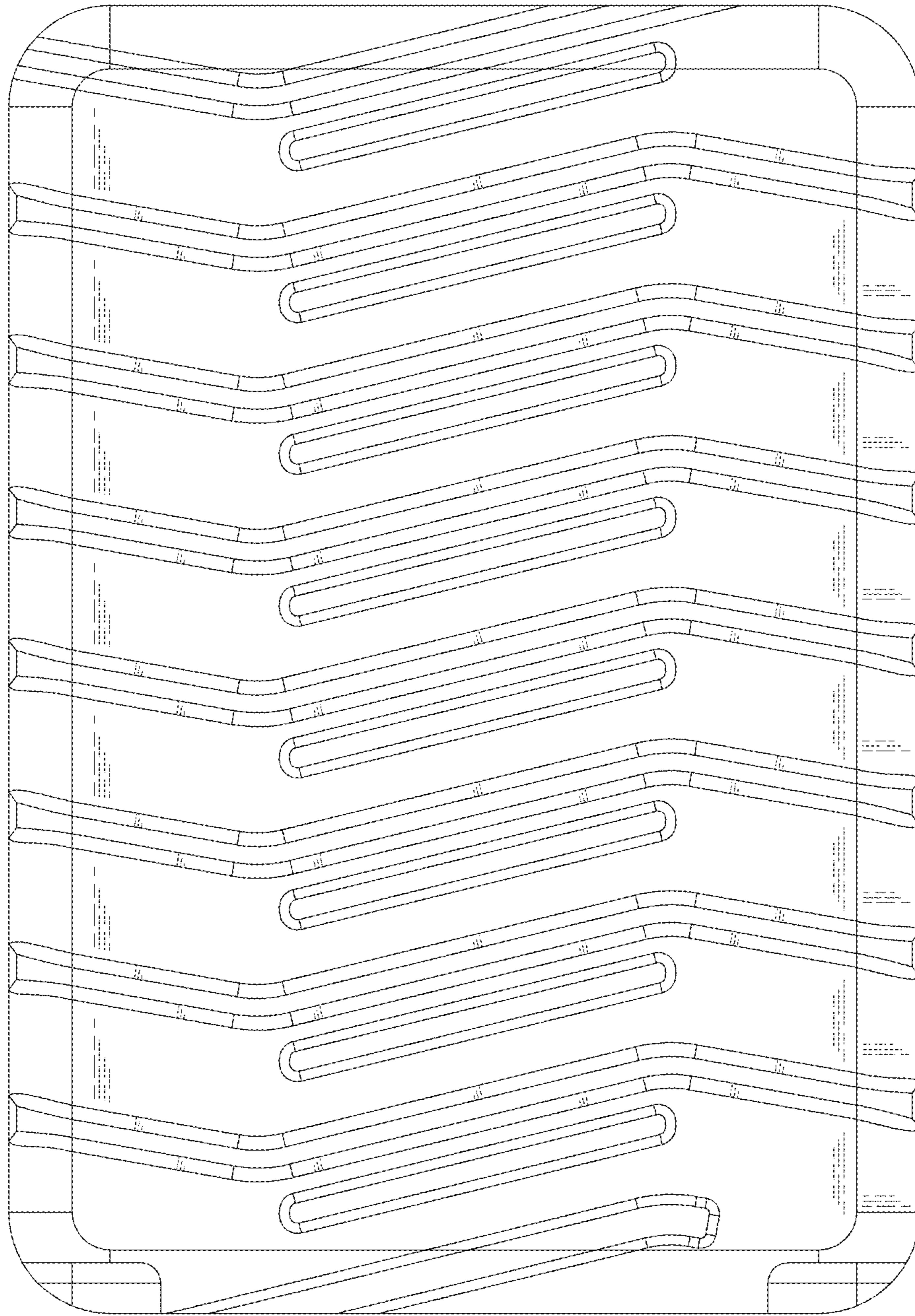


FIG. 2

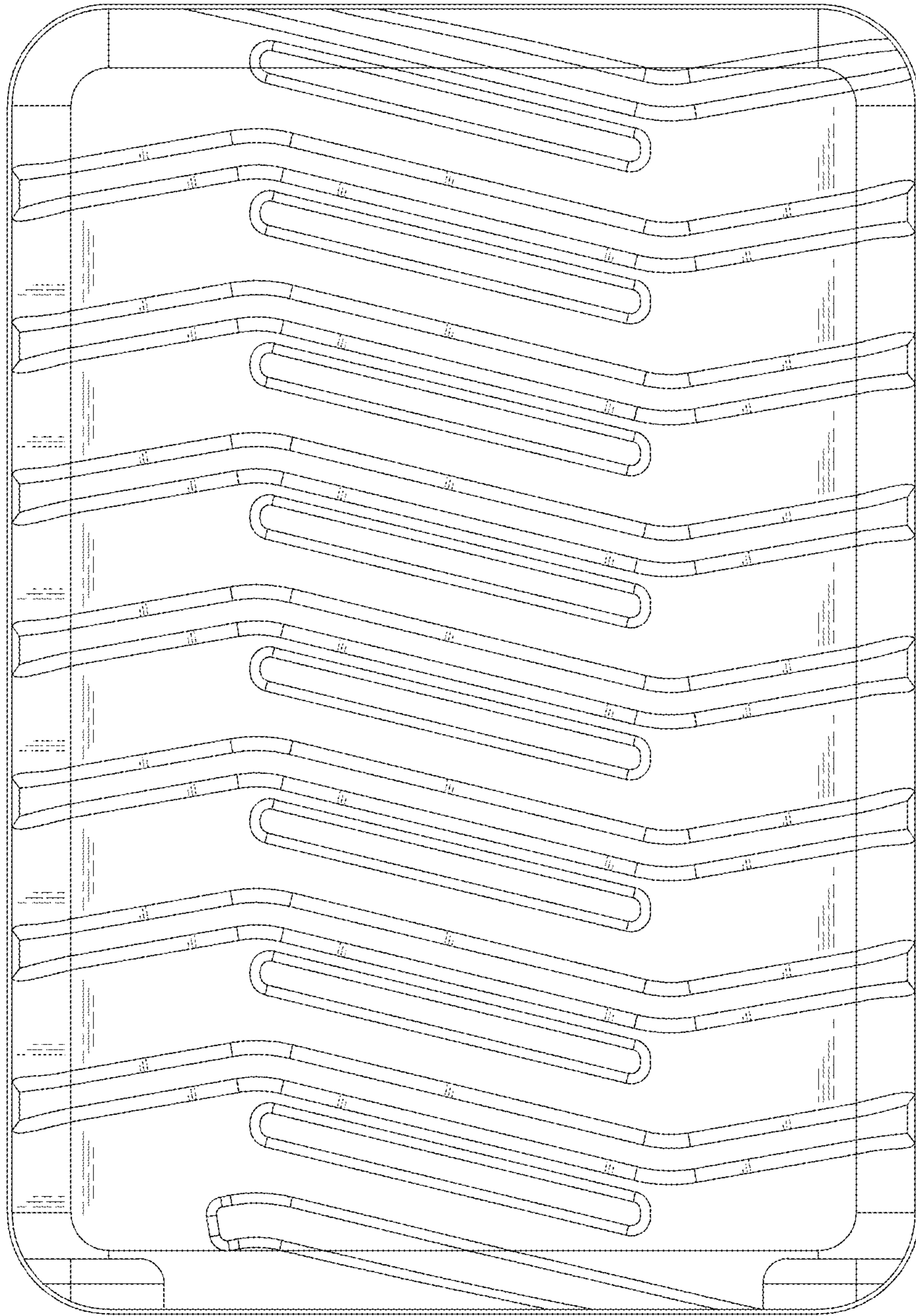


FIG. 3

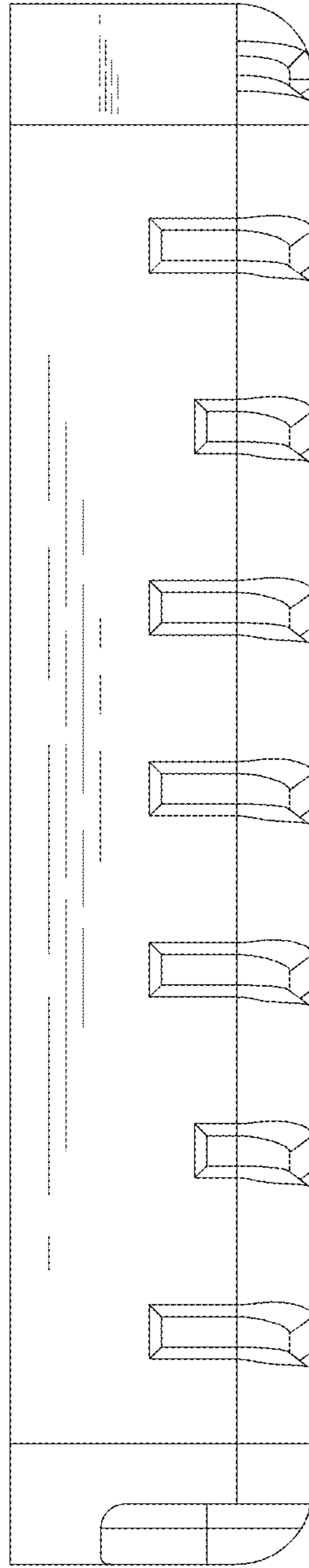


FIG. 4

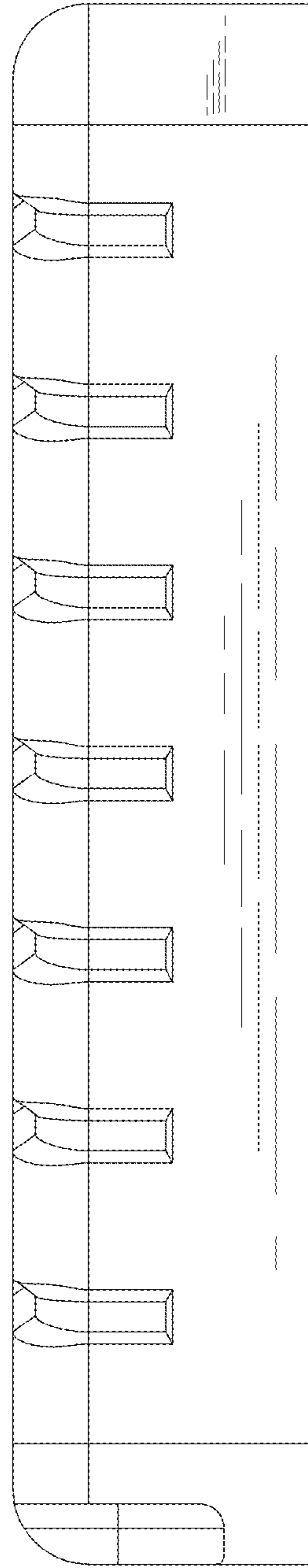


FIG. 5

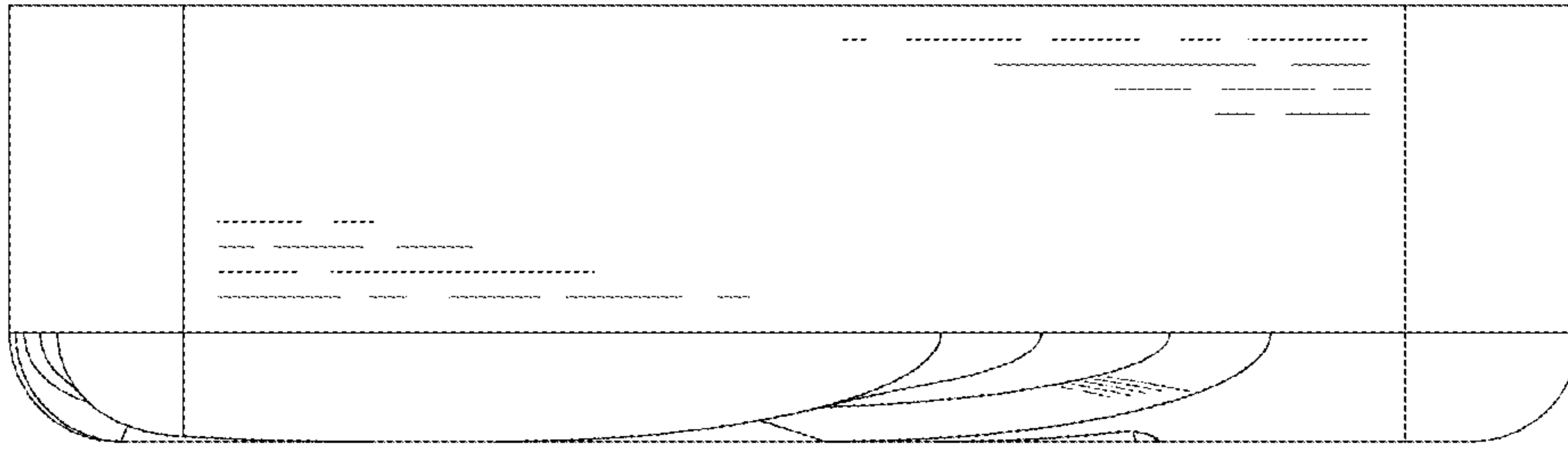


FIG. 6

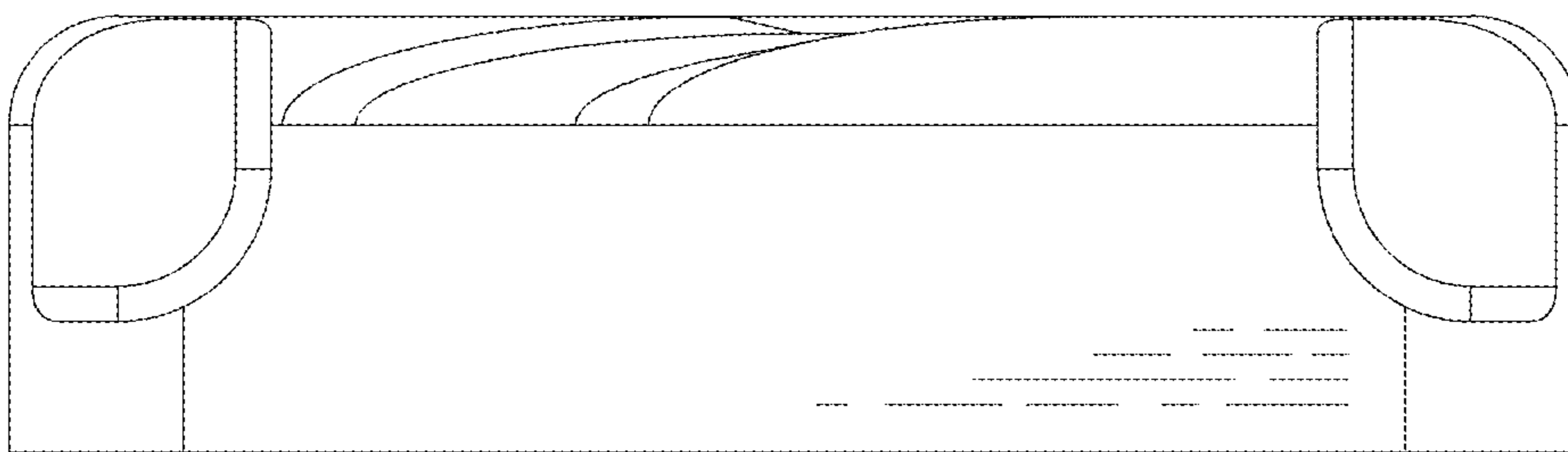


FIG. 7

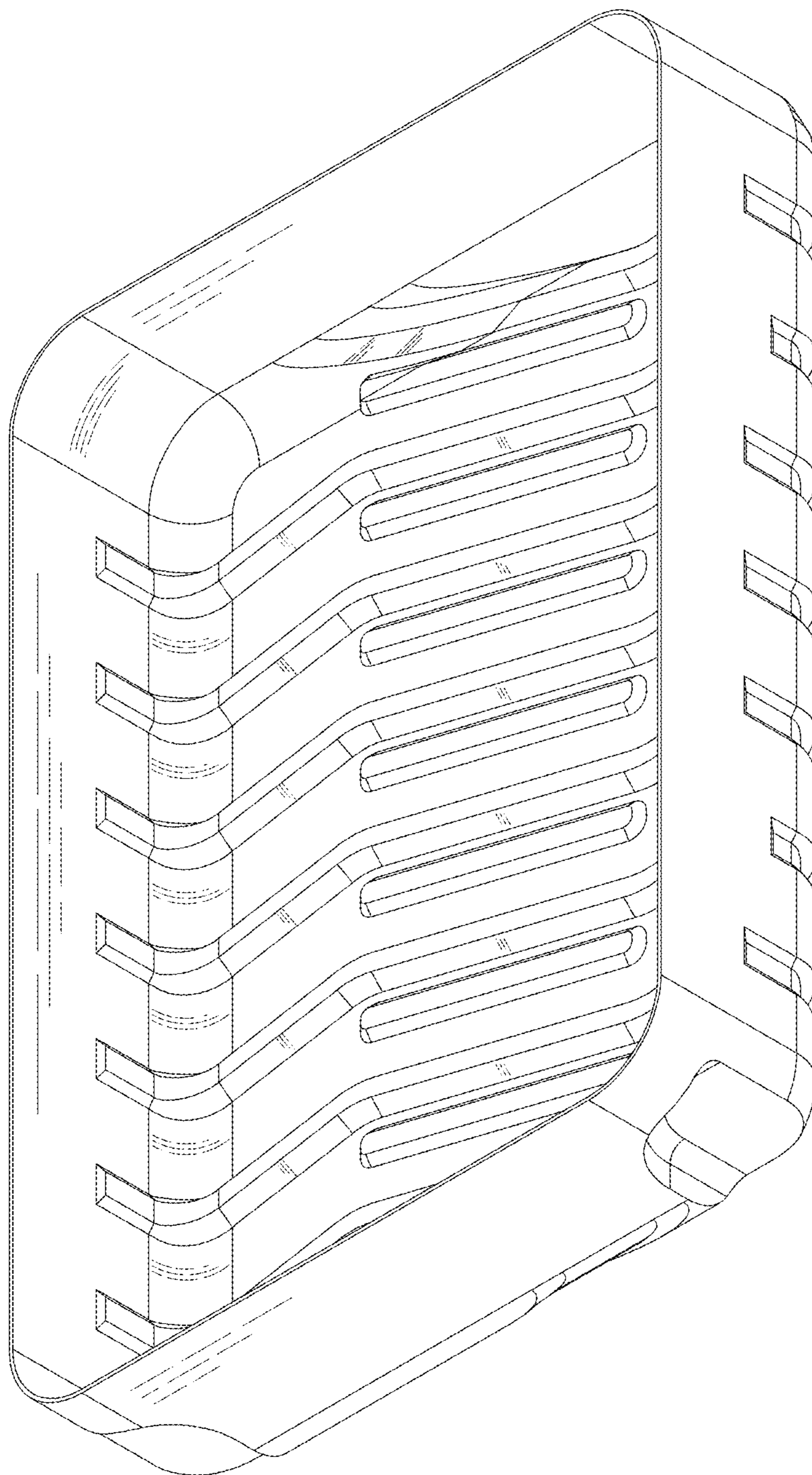


FIG. 8