



US00D868469S

(12) **United States Design Patent** (10) **Patent No.:** **US D868,469 S**
Zeller (45) **Date of Patent:** **** Dec. 3, 2019**

(54) **HANDBAG FASHION ACCESSORY HAVING A DECORATIVE STITCH PATTERN**

(71) Applicant: **Delvaux Createur SA**, Brussels (BE)

(72) Inventor: **Christina Zeller**, Brussels (BE)

(73) Assignee: **Delvaux Createur SA**, Brussels (BE)

(**) Term: **15 Years**

(21) Appl. No.: **29/649,113**

(22) Filed: **May 25, 2018**

(30) **Foreign Application Priority Data**

Nov. 28, 2017 (EM) 004526572

(51) **LOC (12) Cl.** **03-01**

(52) **U.S. Cl.**
USPC **D3/318**

(58) **Field of Classification Search**
USPC D3/232–233, 240–243, 245–246, 318
(Continued)

(56) **References Cited**

U.S. PATENT DOCUMENTS

D569,100 S * 5/2008 Stulman D3/232
D627,559 S * 11/2010 Gerbi D3/232
(Continued)

OTHER PUBLICATIONS

Delvaux Brilliant Metal Stitch, Feb. 28, 2017, 1 pg.
(Continued)

Primary Examiner — Holly H Baynham
(74) *Attorney, Agent, or Firm* — Weaver Austin
Villeneuve & Sampson LLP

(57) **CLAIM**

What is claimed is for a handbag fashion accessory having a decorative stitch pattern, as shown and described.

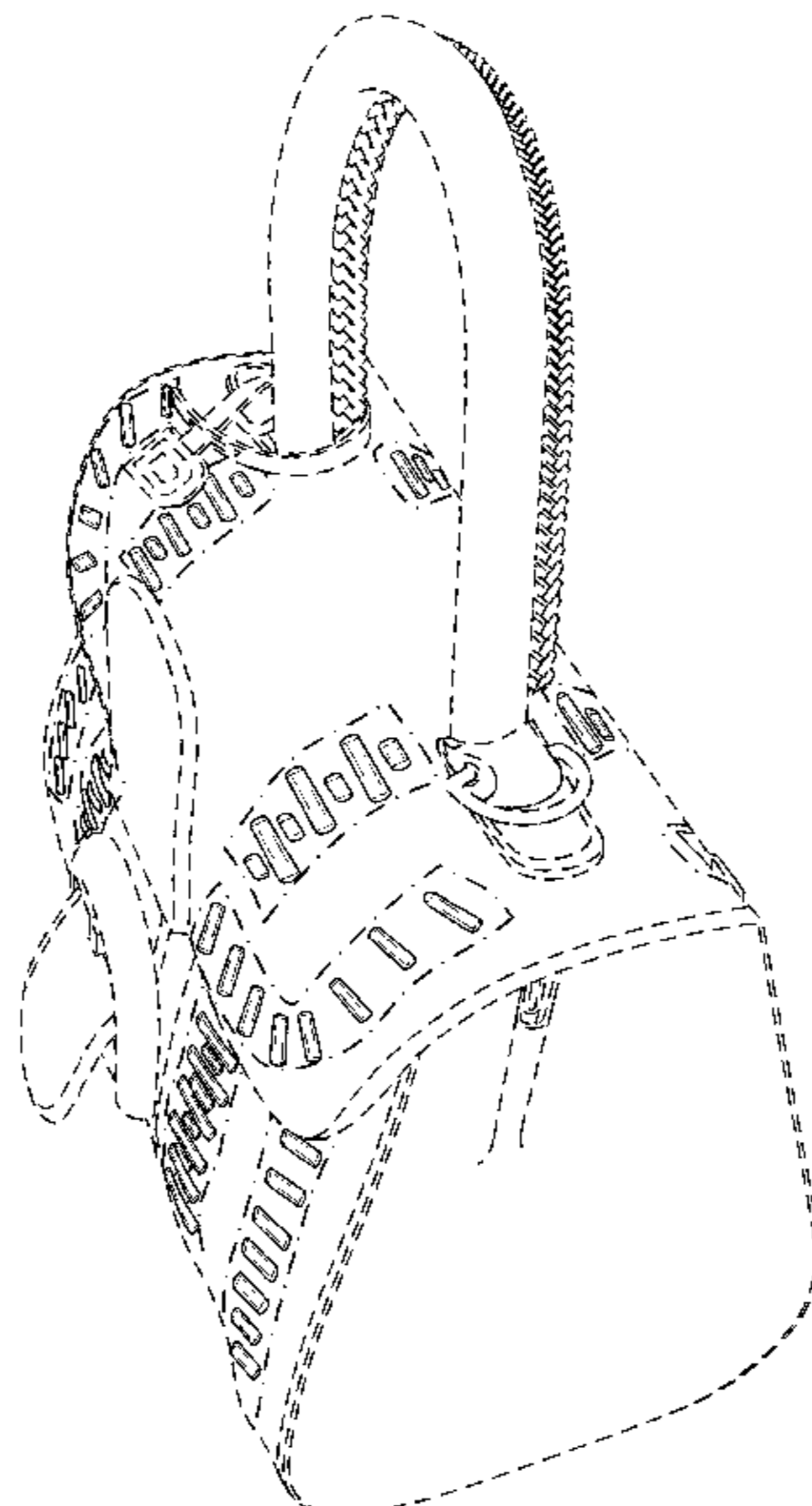
DESCRIPTION

FIG. 1 is a perspective view of a handbag fashion accessory having a decorative stitch pattern.
FIG. 2 is a top view of the handbag fashion accessory having the decorative stitch pattern.
FIG. 3 is a bottom view of the handbag fashion accessory having the decorative stitch pattern.
FIG. 4 is another perspective view of the handbag fashion accessory having the decorative stitch pattern.
FIG. 5 is a rear view of the handbag fashion accessory having the decorative stitch pattern.
FIG. 6 is a front view of the handbag fashion accessory having the decorative stitch pattern.
FIG. 7 is a front view of the handbag fashion accessory having the decorative stitch pattern with the handbag open.
FIG. 8 is a right side view of the handbag fashion accessory having the decorative stitch pattern; and,
FIG. 9 is a left side view of the handbag fashion accessory having the decorative stitch pattern.

A decorative stitch pattern for a fashion accessory, such as a handbag, are depicted. In FIGS. 1-9, portions of the handbag that are indicated as forming no part of the design are rendered in broken lines and have no shading. Transitions between the claimed design and the portions of the handbag forming no part of the claimed design are indicated through the presence of black dash-dot-dash boundary lines that separate the claimed design from the portions that form no part of the claimed design. Portions of the drawings rendered in broken lines and having an absence of shading lines indicate portions of the depicted article(s) that form no part of the claimed design for the embodiment depicted in those drawings.

For clarity, the black-and-white line drawing embodiments are not intended to convey color or material texture.

1 Claim, 9 Drawing Sheets



(58) **Field of Classification Search**

CPC A45C 1/024; A45C 3/06
See application file for complete search history.

(56) **References Cited**

U.S. PATENT DOCUMENTS

D734,025	S	*	7/2015	Sassi	D3/232
D785,930	S	*	5/2017	Sassi	D3/232
D787,822	S	*	5/2017	Liu	D3/245
D789,081	S	*	6/2017	Sassi	D3/232
D792,091	S	*	7/2017	Sassi	D3/232
D834,809	S	*	12/2018	Burton	D3/232
D834,810	S	*	12/2018	Burton	D3/232

OTHER PUBLICATIONS

Delvaux Women's & Men's Collection, Autumn—Winter 2016/
2017, 96 pgs.
Iakovou, Pascal, "Delvaux Collection Printemps—Eté 2018," dated
Nov. 28, 2017, 9 pgs.
Statement on First Public Disclosure, Sep. 2017, 1 pg.

* cited by examiner

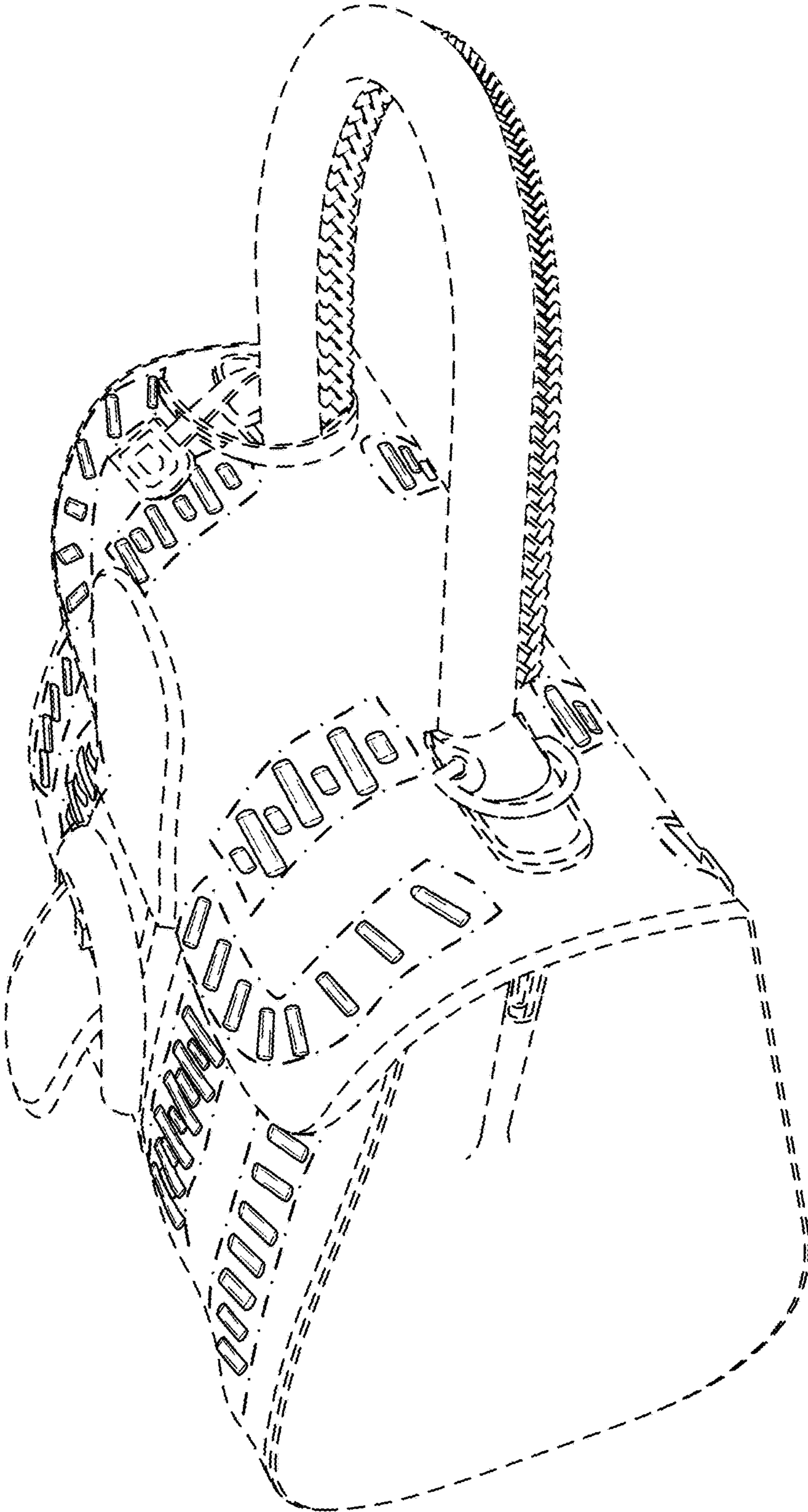


Figure 1

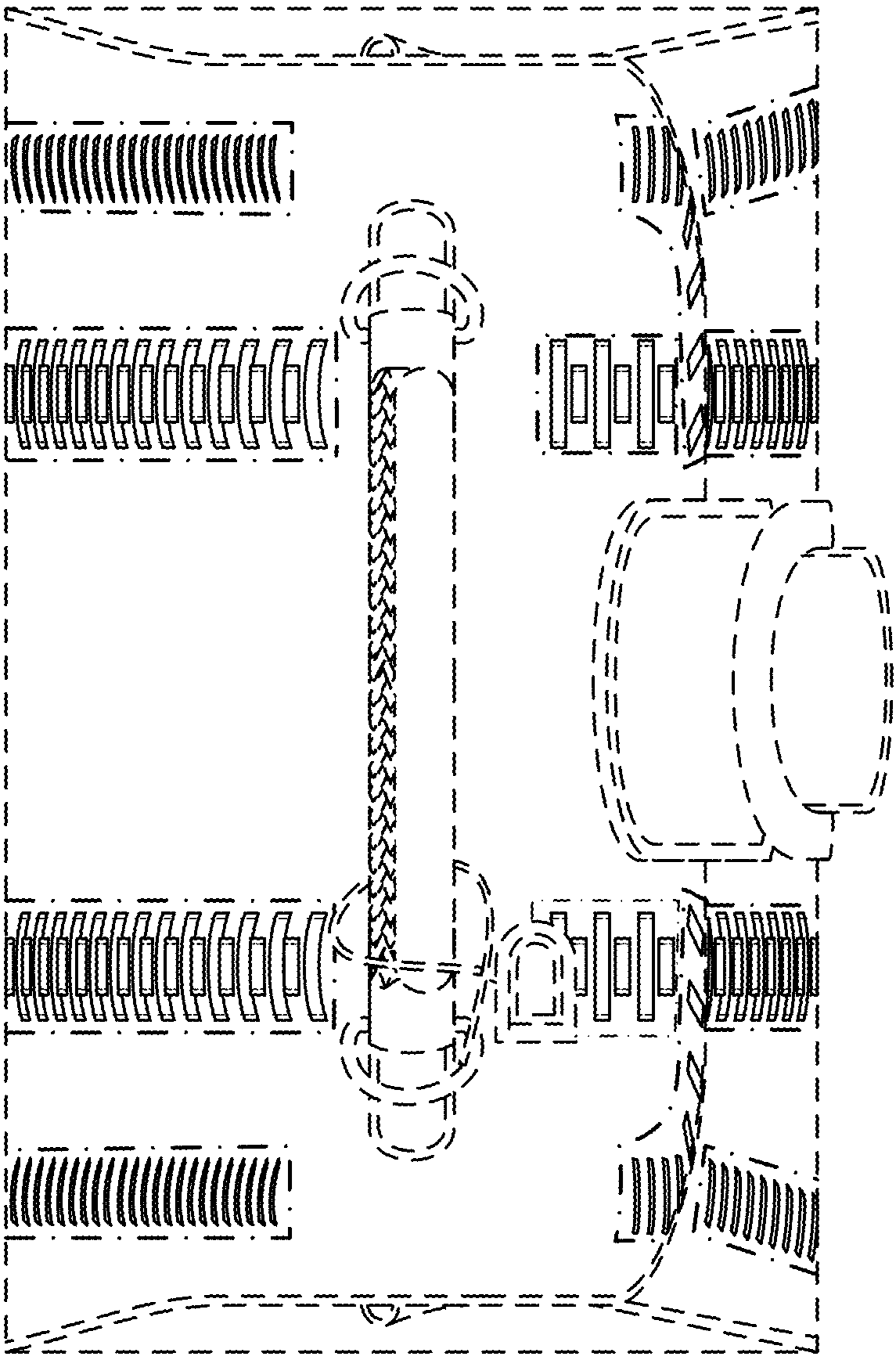


Figure 2

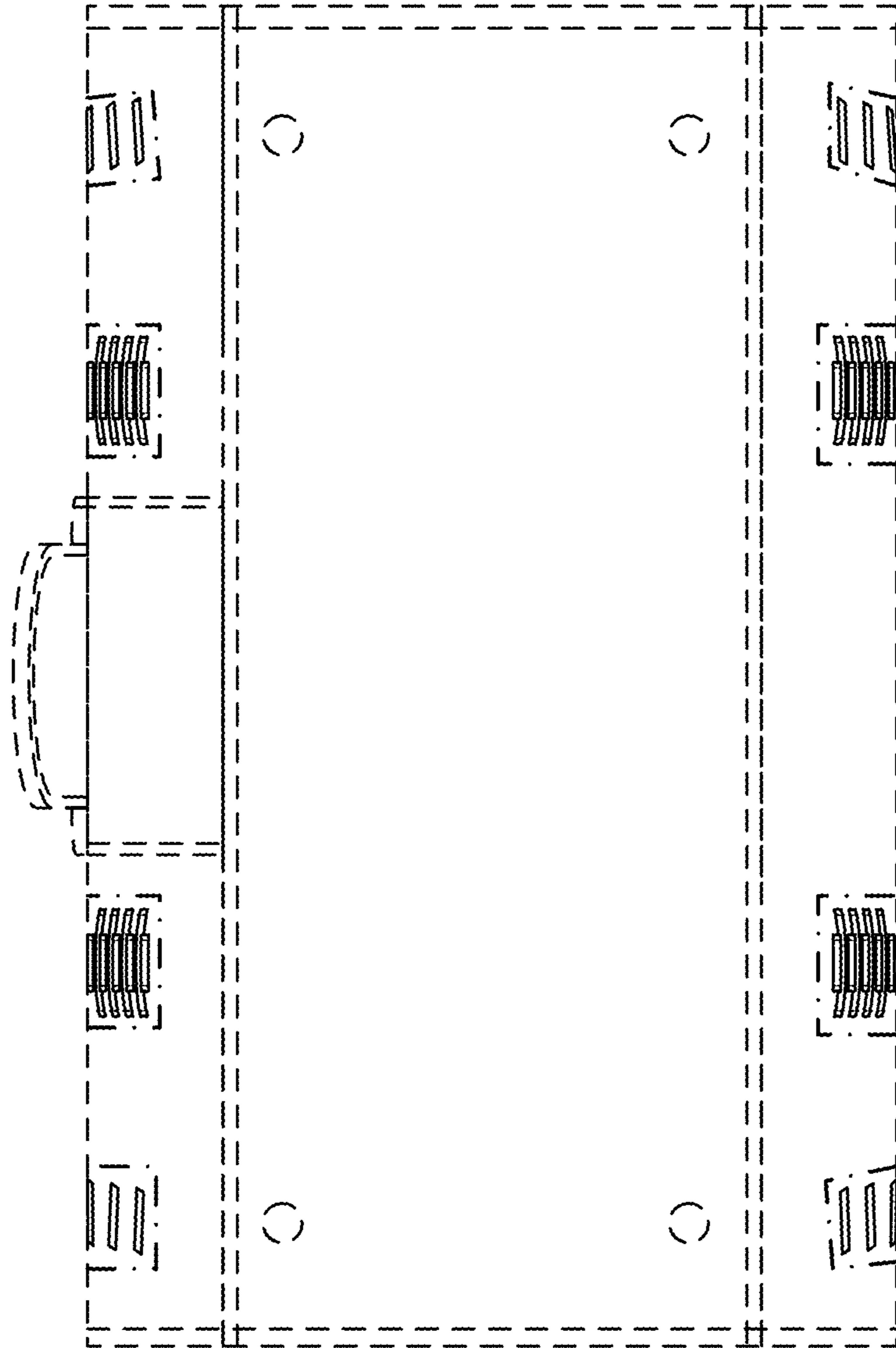


Figure 3

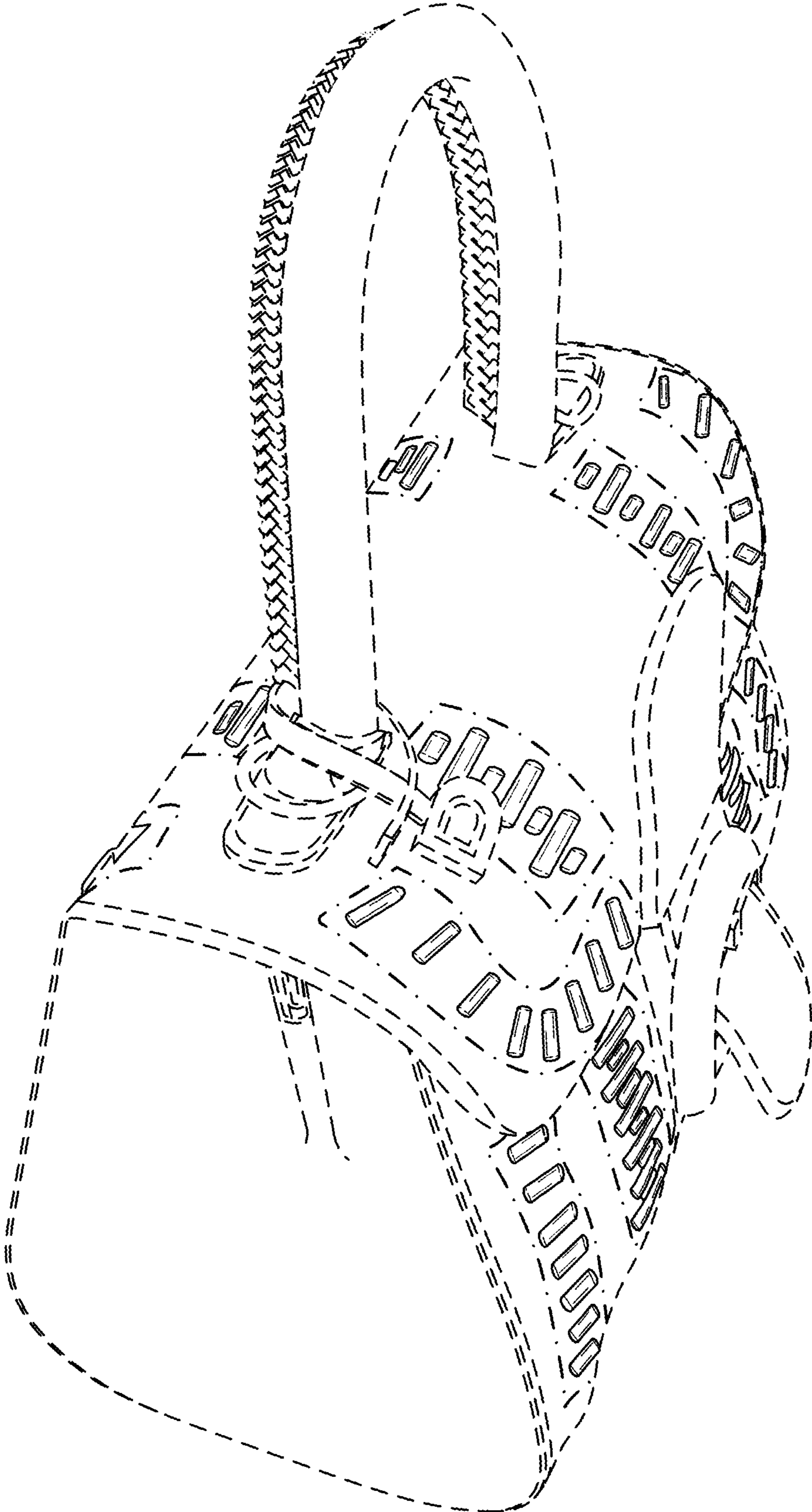


Figure 4

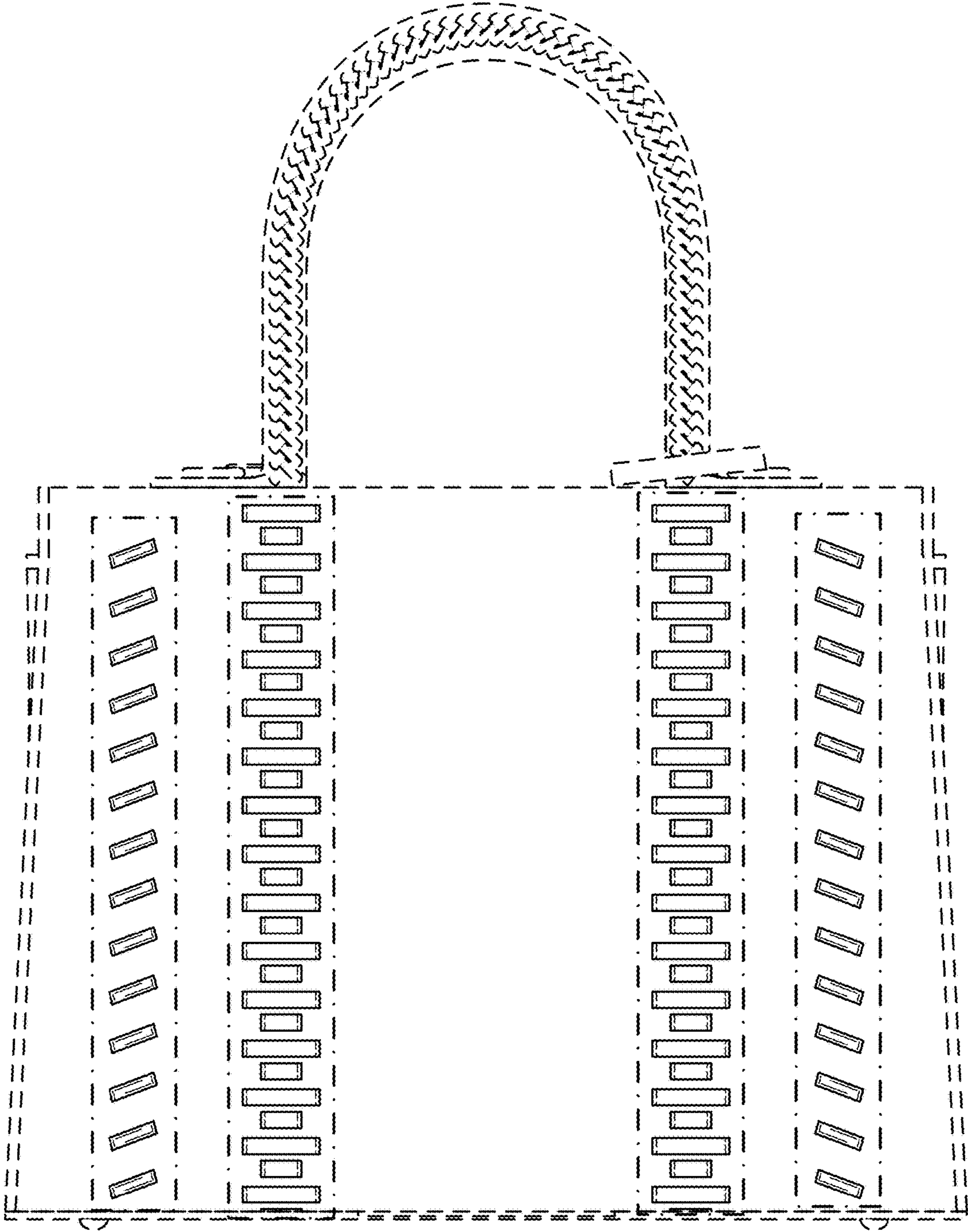


Figure 5

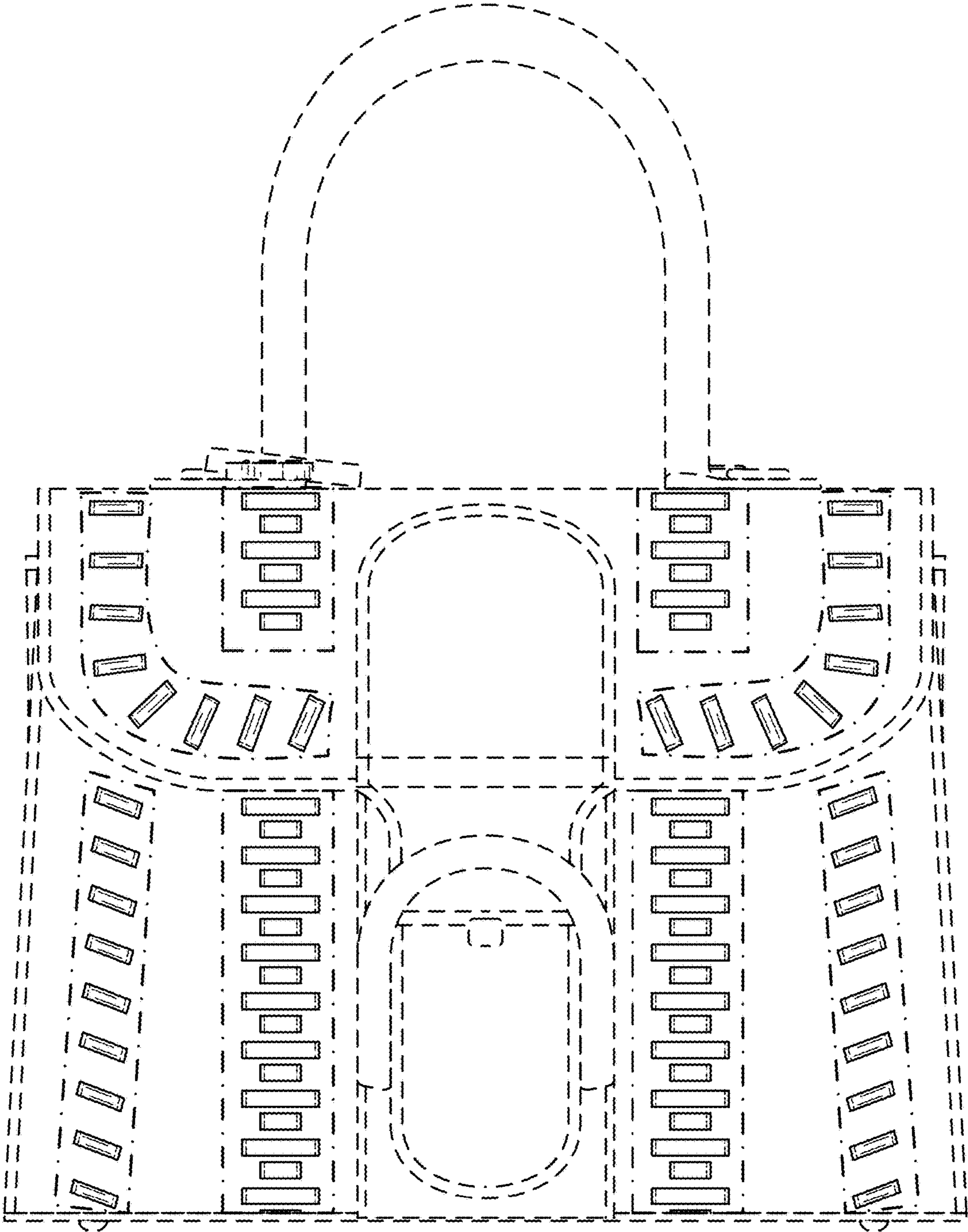


Figure 6

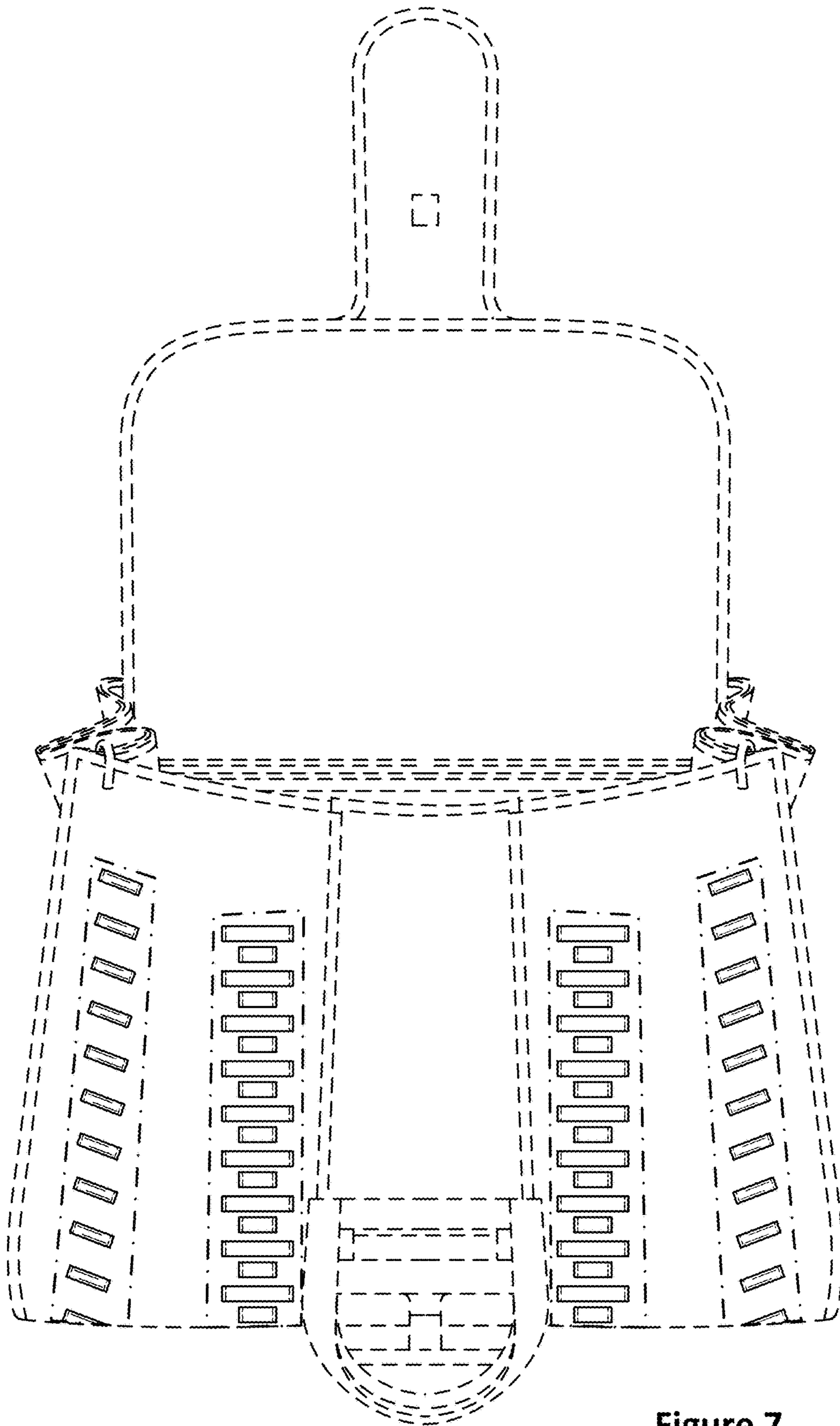


Figure 7

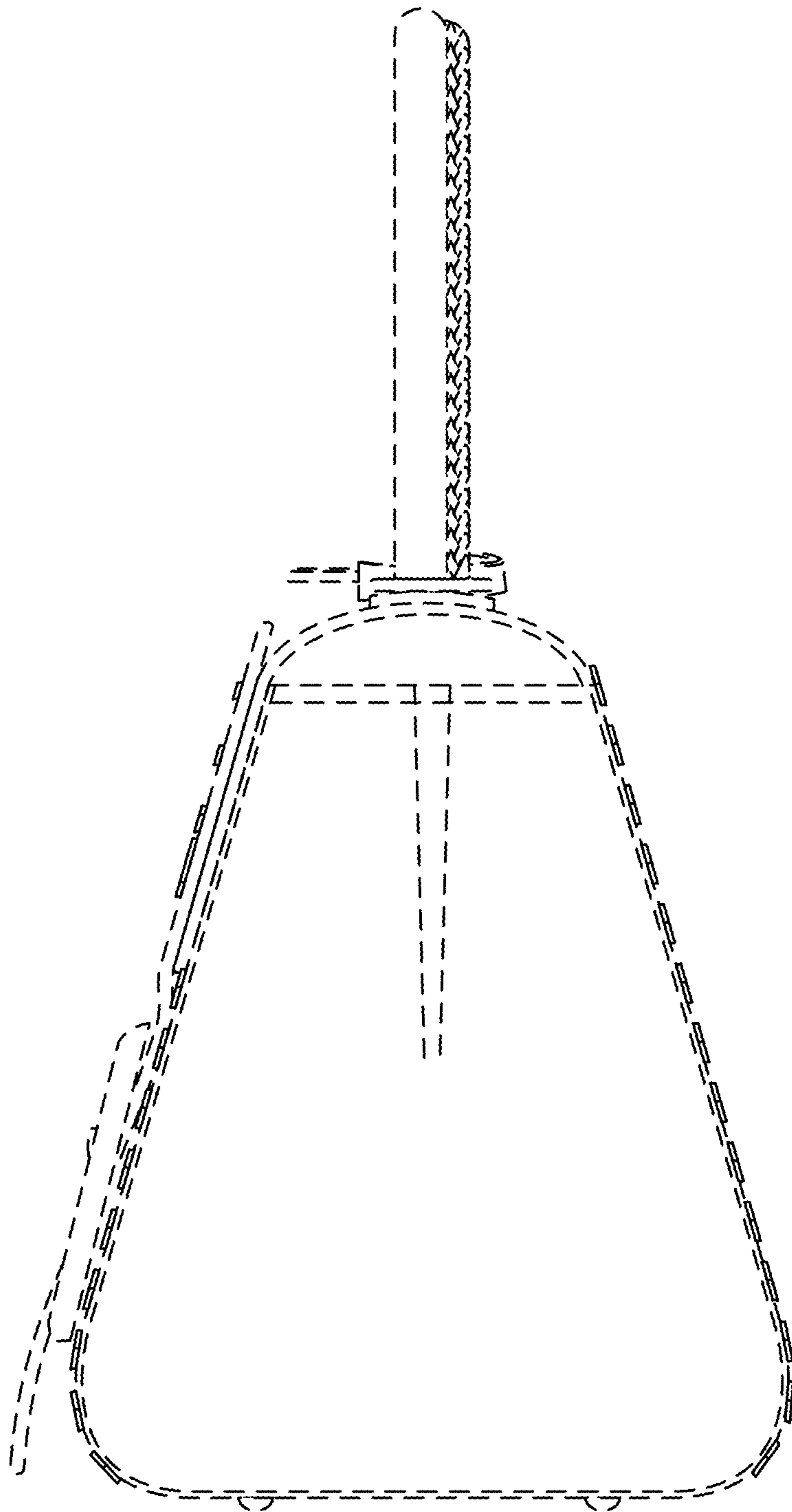


Figure 8

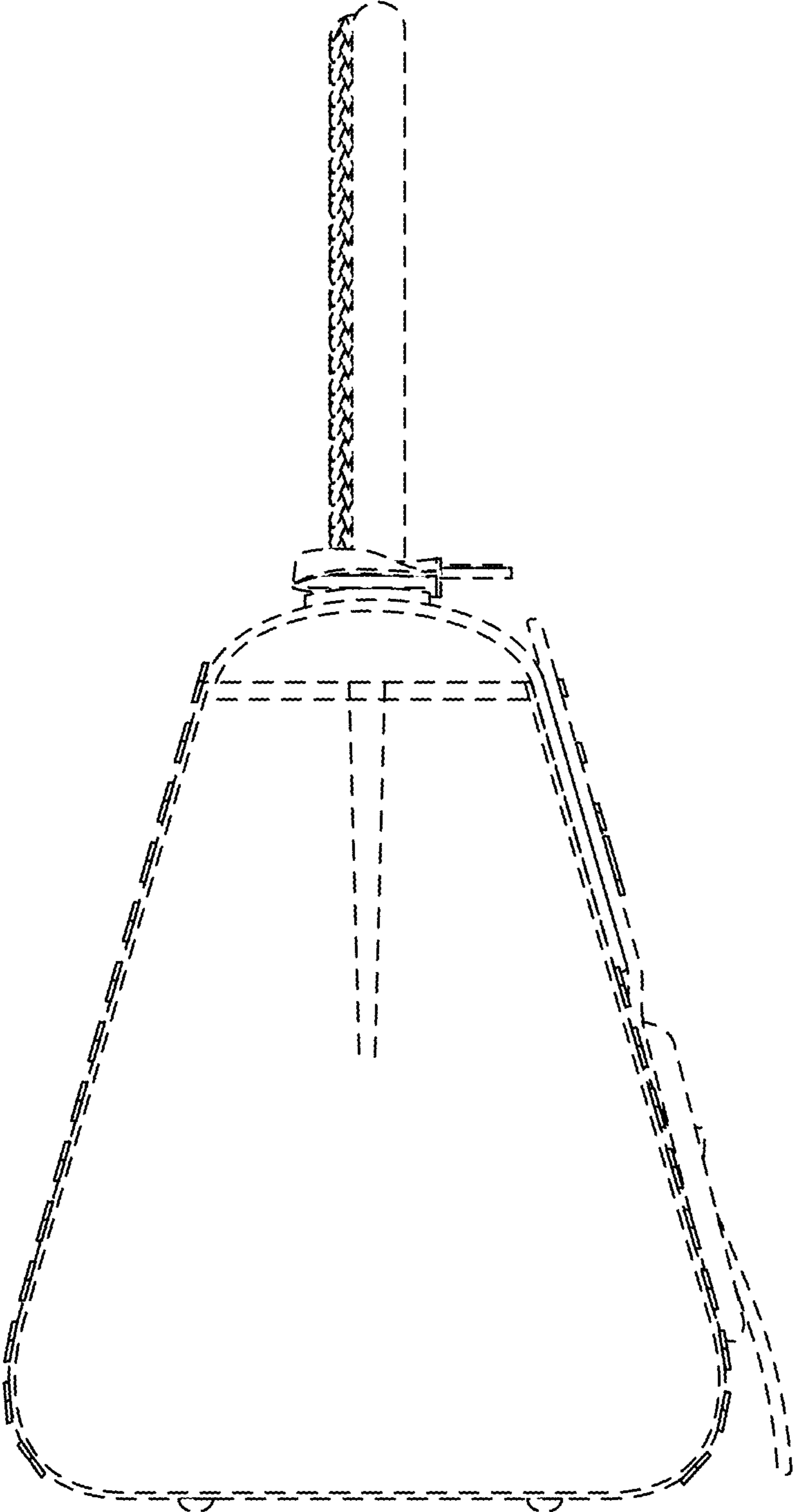


Figure 9