



US00D868468S

(12) **United States Design Patent** (10) **Patent No.:** **US D868,468 S**  
**Currier** (45) **Date of Patent:** **\*\* Dec. 3, 2019**

(54) **PORTABLE STORAGE CONTAINER**

- (71) Applicant: **TALUS CORPORATION**, Portland, ME (US)
- (72) Inventor: **Jason Currier**, Portland, ME (US)
- (73) Assignee: **Talus Corporation**, Portland, ME (US)
- (\*\*) Term: **15 Years**
- (21) Appl. No.: **29/666,859**
- (22) Filed: **Oct. 16, 2018**
- (51) **LOC (12) Cl.** ..... **03-03**
- (52) **U.S. Cl.**  
USPC ..... **D3/315**
- (58) **Field of Classification Search**  
USPC ..... D3/315, 232, 233  
CPC ..... A45C 7/009; A45C 7/0077; A45C 3/04  
See application file for complete search history.

(56) **References Cited**

**U.S. PATENT DOCUMENTS**

D587,897 S *	3/2009	Radke	.....	D3/202
D633,296 S *	3/2011	Potts	.....	D3/305
D714,059 S *	9/2014	Blackwell	.....	D3/304
D725,911 S *	4/2015	McManus	.....	D3/315
D758,731 S *	6/2016	Noh	.....	D3/304
D776,929 S *	1/2017	Noh	.....	D3/315
D791,480 S *	7/2017	Coronado	.....	D3/304
D835,411 S *	12/2018	Hughes	.....	D3/305
D843,113 S *	3/2019	Carter	.....	D3/315
D851,936 S *	6/2019	Lit Chung	.....	D3/315
2006/0278690 A1 *	12/2006	Wang	.....	B65D 15/22 229/120.33
2010/0270342 A1 *	10/2010	Barthel	.....	A45C 3/04 224/148.4
2011/0174824 A1 *	7/2011	Potts	.....	A45C 7/0077 220/531

**OTHER PUBLICATIONS**

Car Console Organizer by Lebogner—Luxury Car Organizer Perfect Front Seat Organizer, Driving Necessities Organizer, Kids Accessories Backseat Organizer, 4 Inside, 6 Outside Pockets, Easy Fold Design, available at: [https://www.amazon.com/Car-Console-Organizer-Lebogner-Necessities/dp/B01LDSESZU/ref=sr\\_1\\_1?ie=UTF8&qid=1539725101&sr=8-1&keywords=B01LDSESZU](https://www.amazon.com/Car-Console-Organizer-Lebogner-Necessities/dp/B01LDSESZU/ref=sr_1_1?ie=UTF8&qid=1539725101&sr=8-1&keywords=B01LDSESZU), pp. 10. Lusso Gear Car Seat Organizer for Front or Backseat with Black Stitching Great for Adults & Kids Featuring 8 Storage Compartments for Toys, Magazines, Tissues, Maps, Books, Documents, Games & More, available at: [https://www.amazon.com/Lusso-Gear-Organizer-Stitching-Compartments/dp/B01N41FD19/ref=sr\\_1\\_1?ie=UTF8&qid=1539724992&sr=8-1&keywords=B01N41FD19](https://www.amazon.com/Lusso-Gear-Organizer-Stitching-Compartments/dp/B01N41FD19/ref=sr_1_1?ie=UTF8&qid=1539724992&sr=8-1&keywords=B01N41FD19), pp. 11.

\* cited by examiner

*Primary Examiner* — Charles D Hanson

(74) *Attorney, Agent, or Firm* — Tredecim LLC; Sean L. Sweeney; Taylor A. Noonan

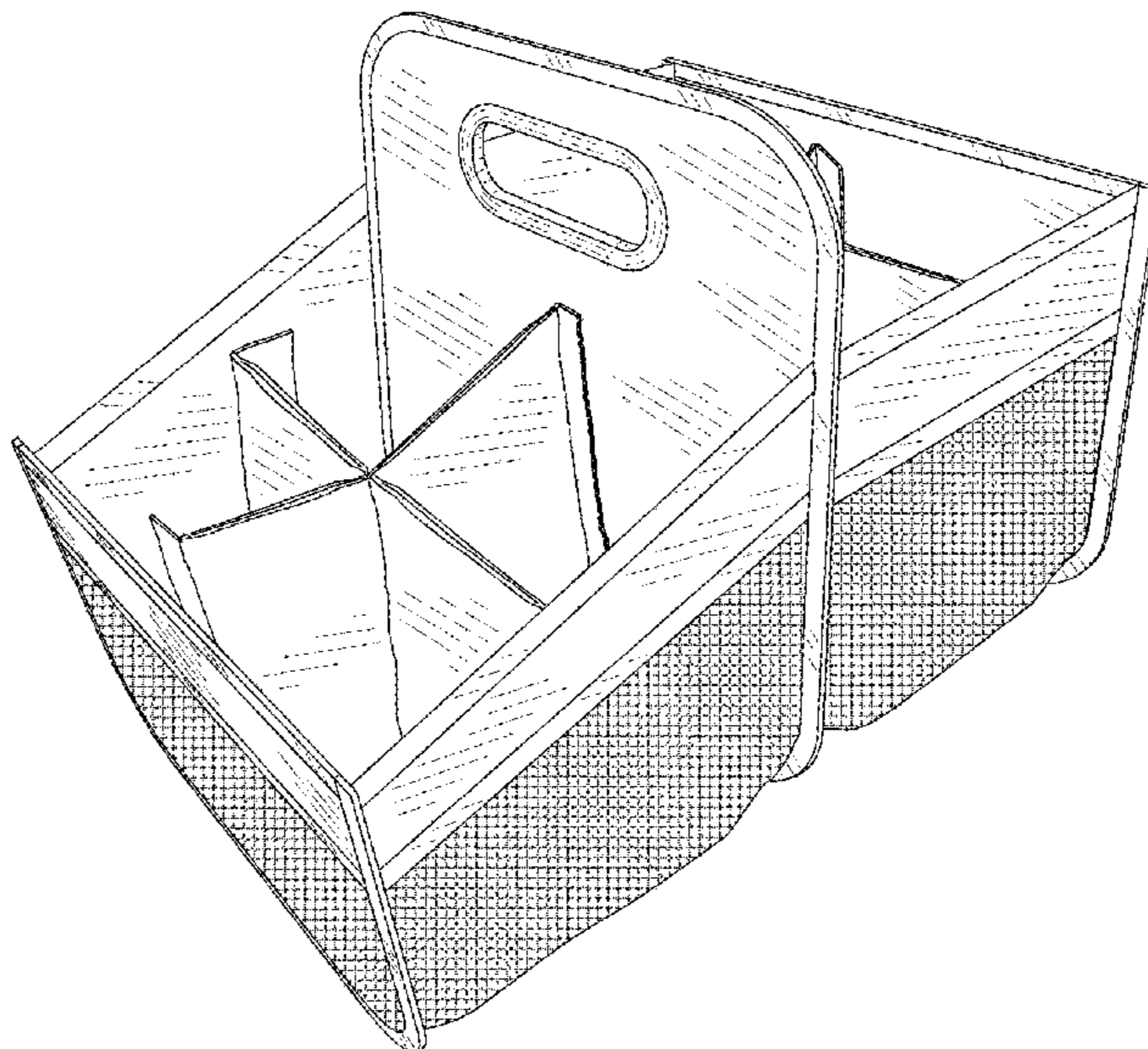
(57) **CLAIM**

The ornamental design for a portable storage container, as shown and described.

**DESCRIPTION**

FIG. 1 is a perspective view of a portable storage container showing my new design; FIG. 2 is a left side view thereof; FIG. 3 is a right side view thereof; FIG. 4 is a front view thereof; FIG. 5 is a back view thereof; FIG. 6 is a top view thereof; and, FIG. 7 is a bottom view thereof. In the drawings, the broken lines depict portions of the article that form no portion of the claimed design.

**1 Claim, 7 Drawing Sheets**



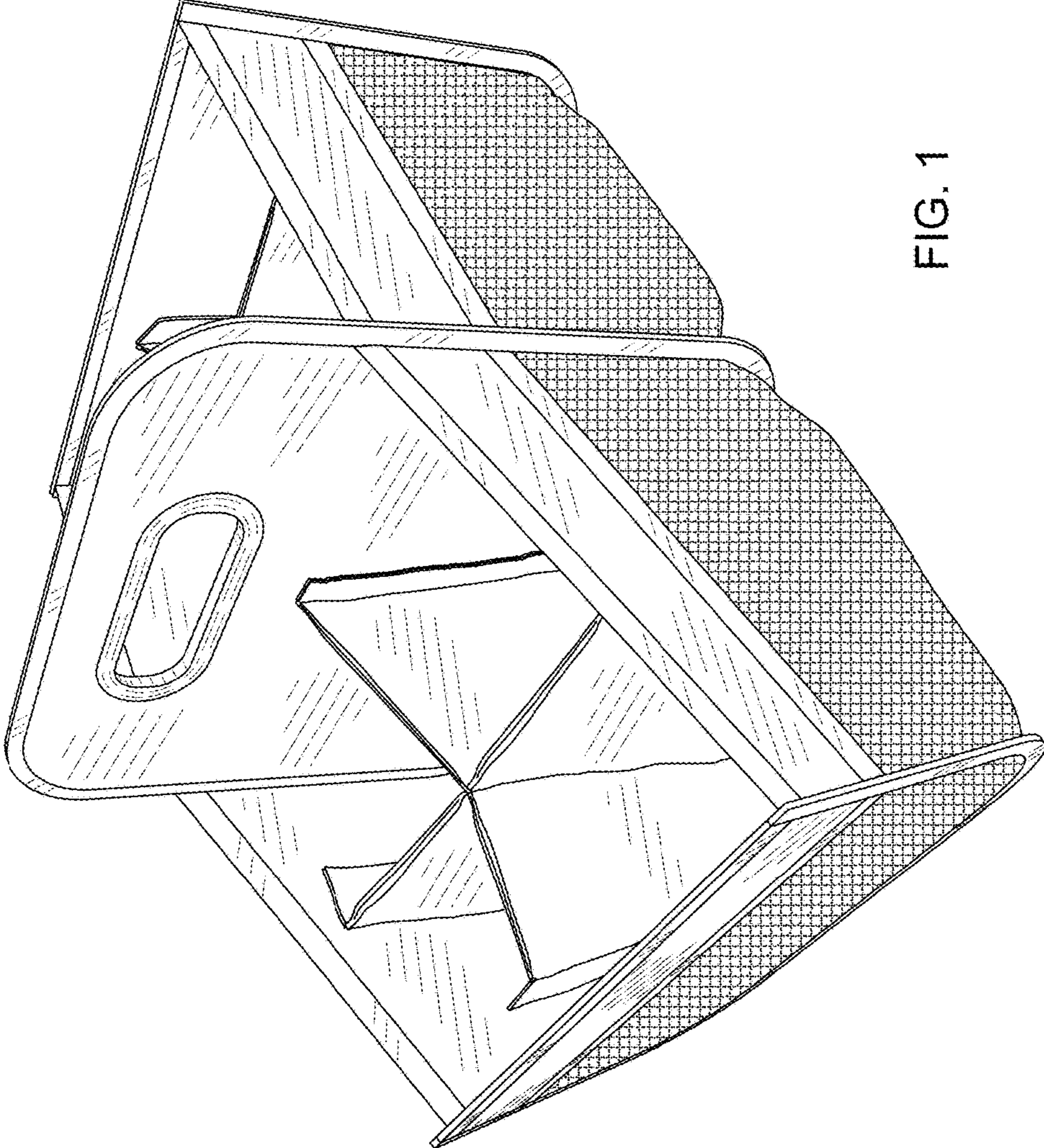


FIG. 1

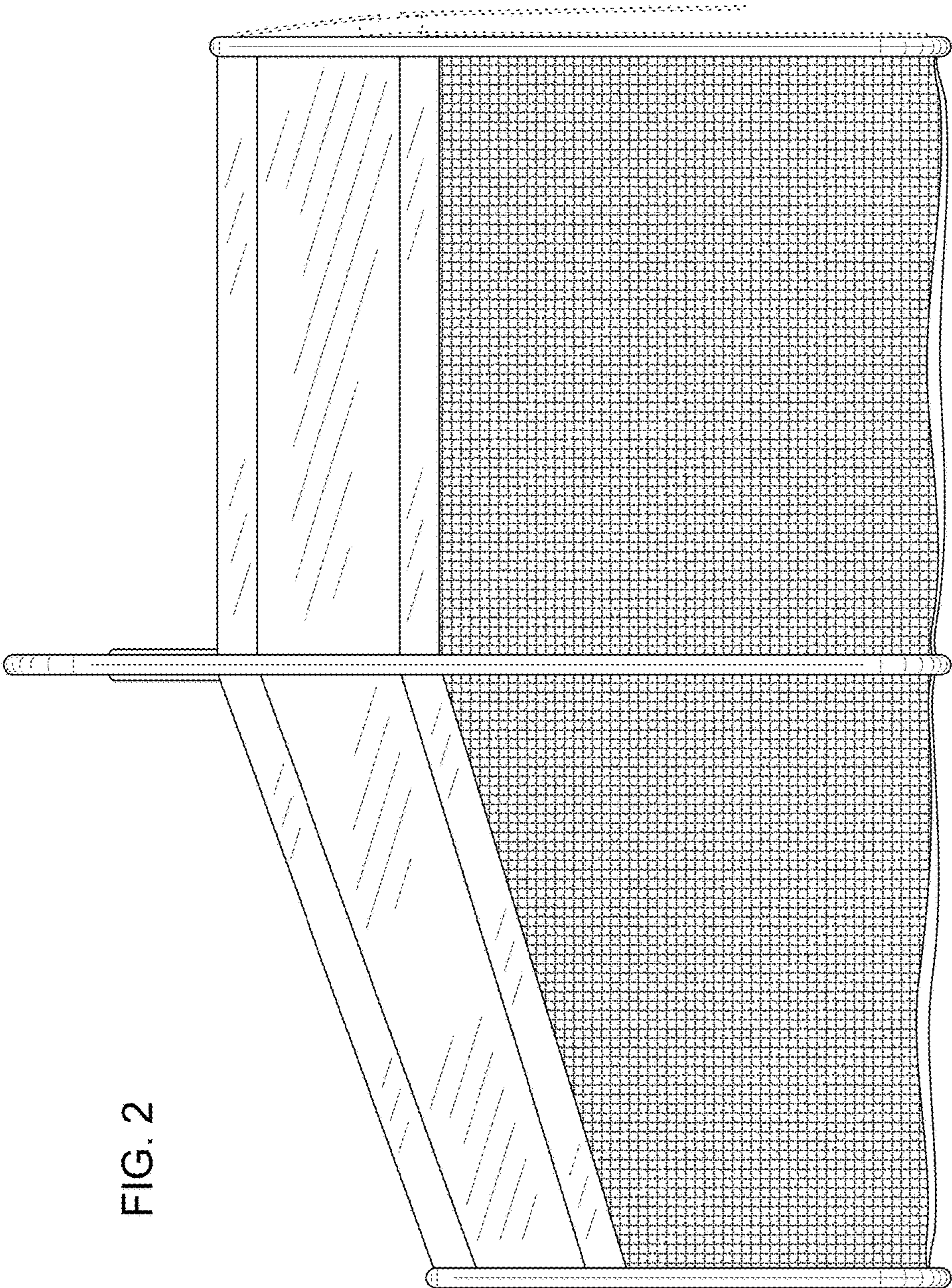
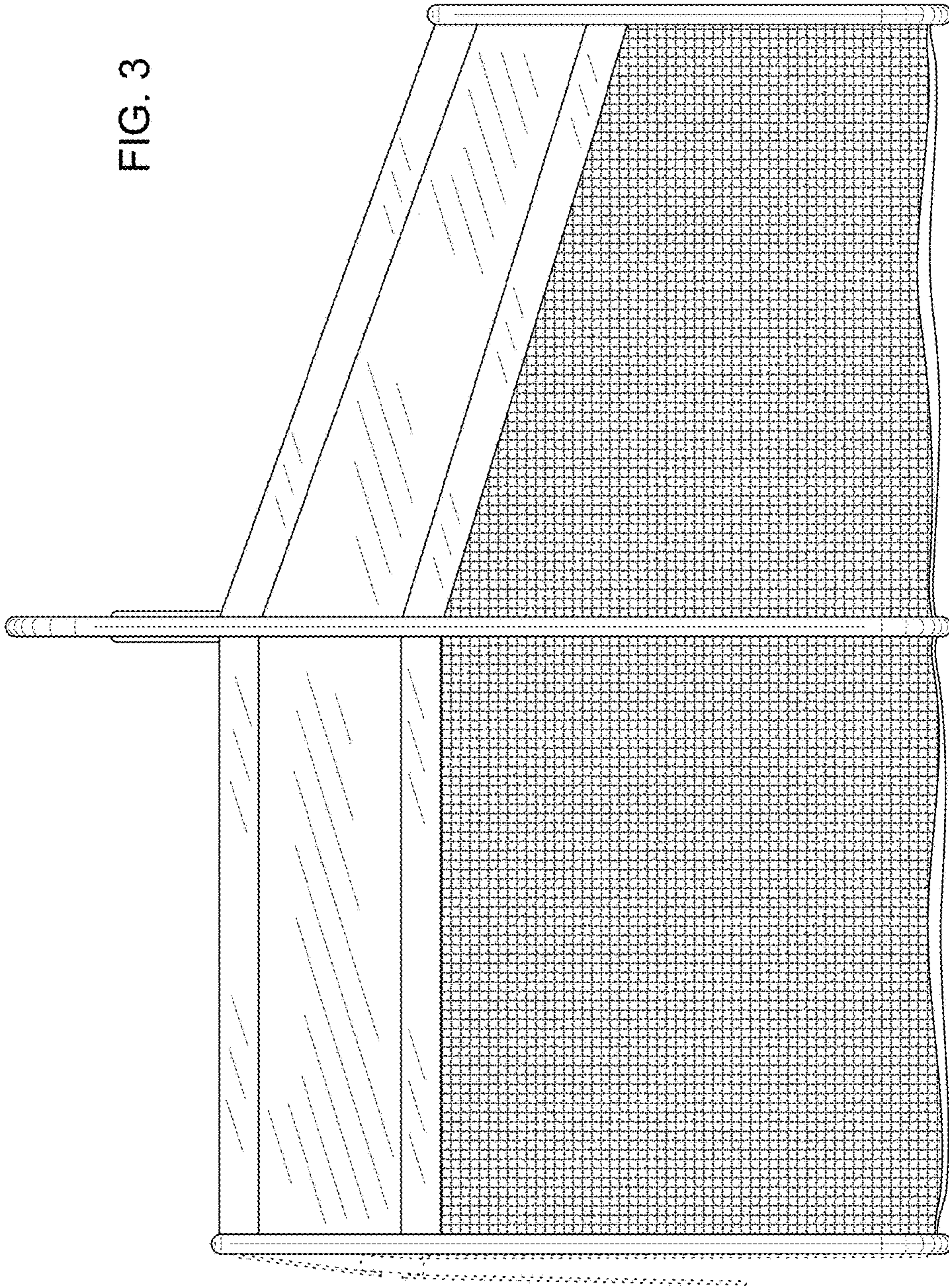


FIG. 2

FIG. 3



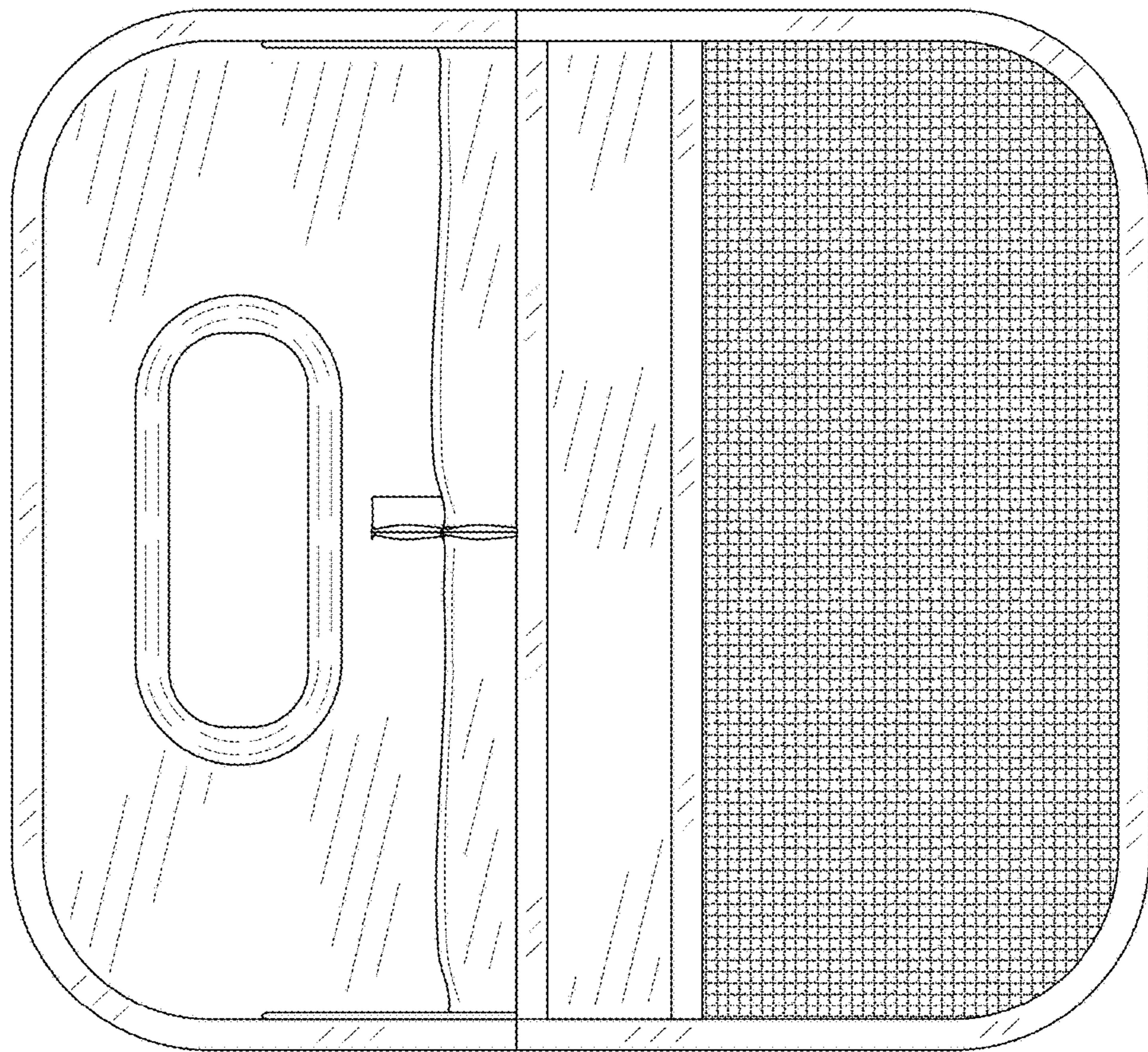


FIG. 4

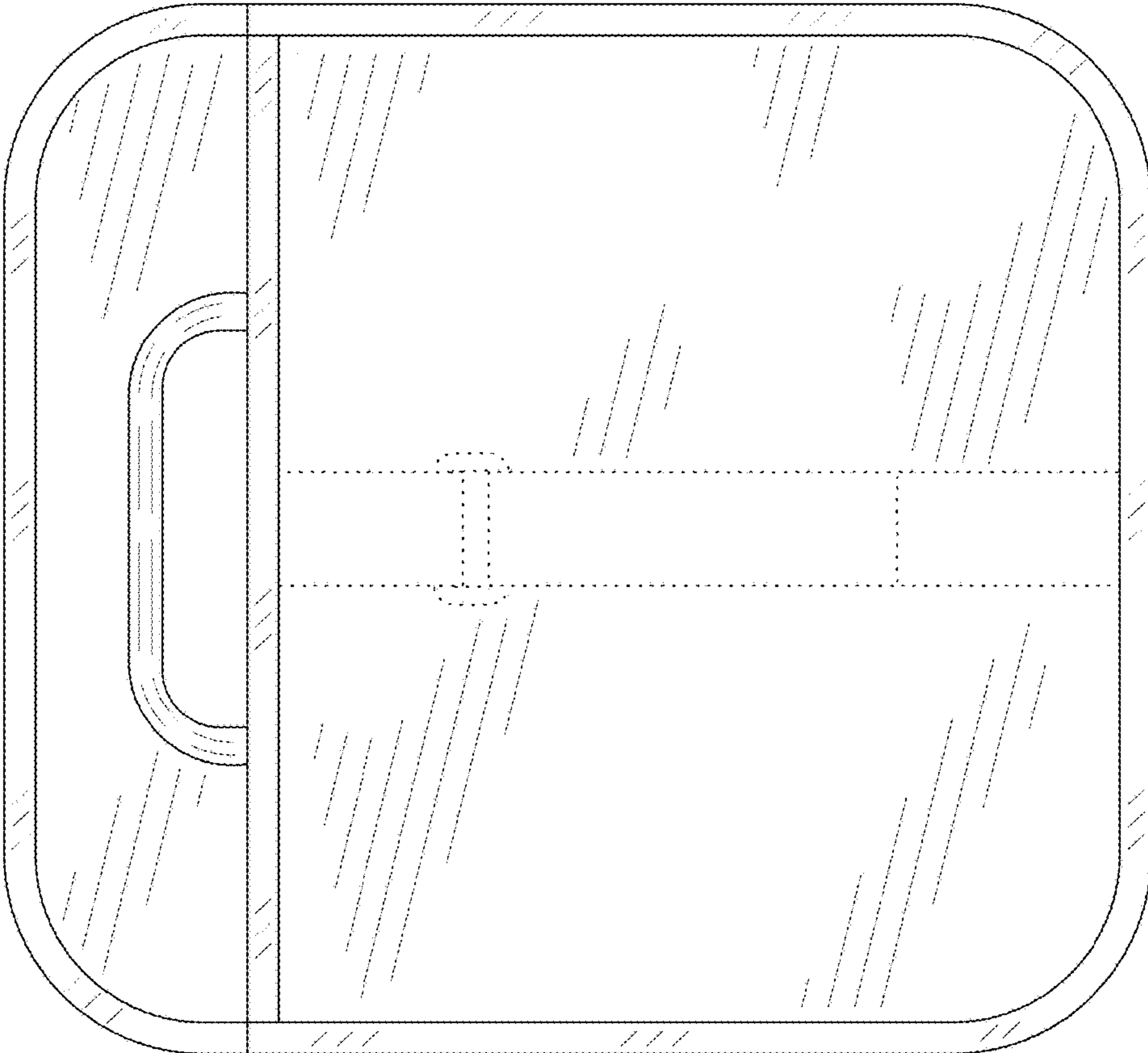


FIG. 5

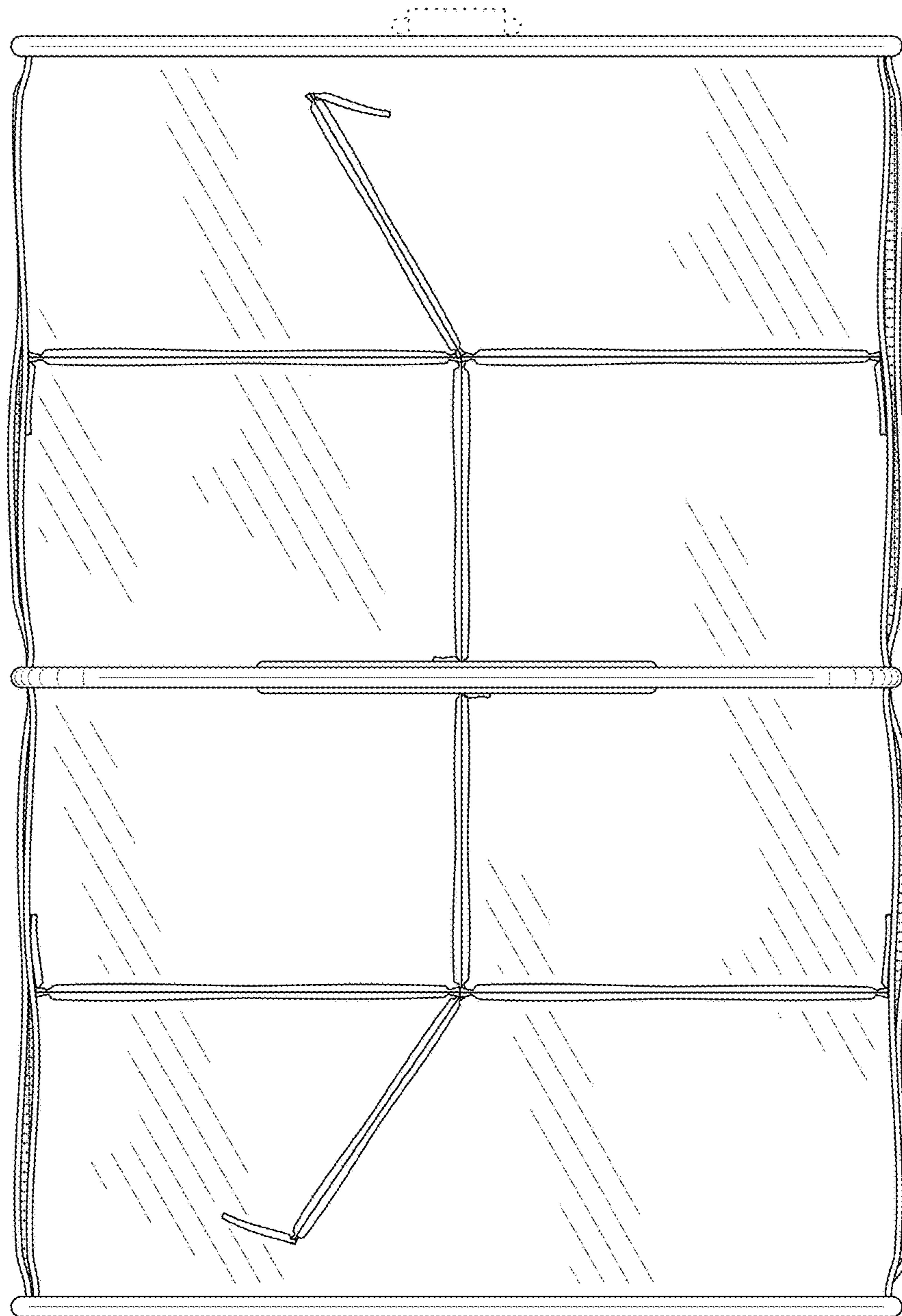


FIG. 6

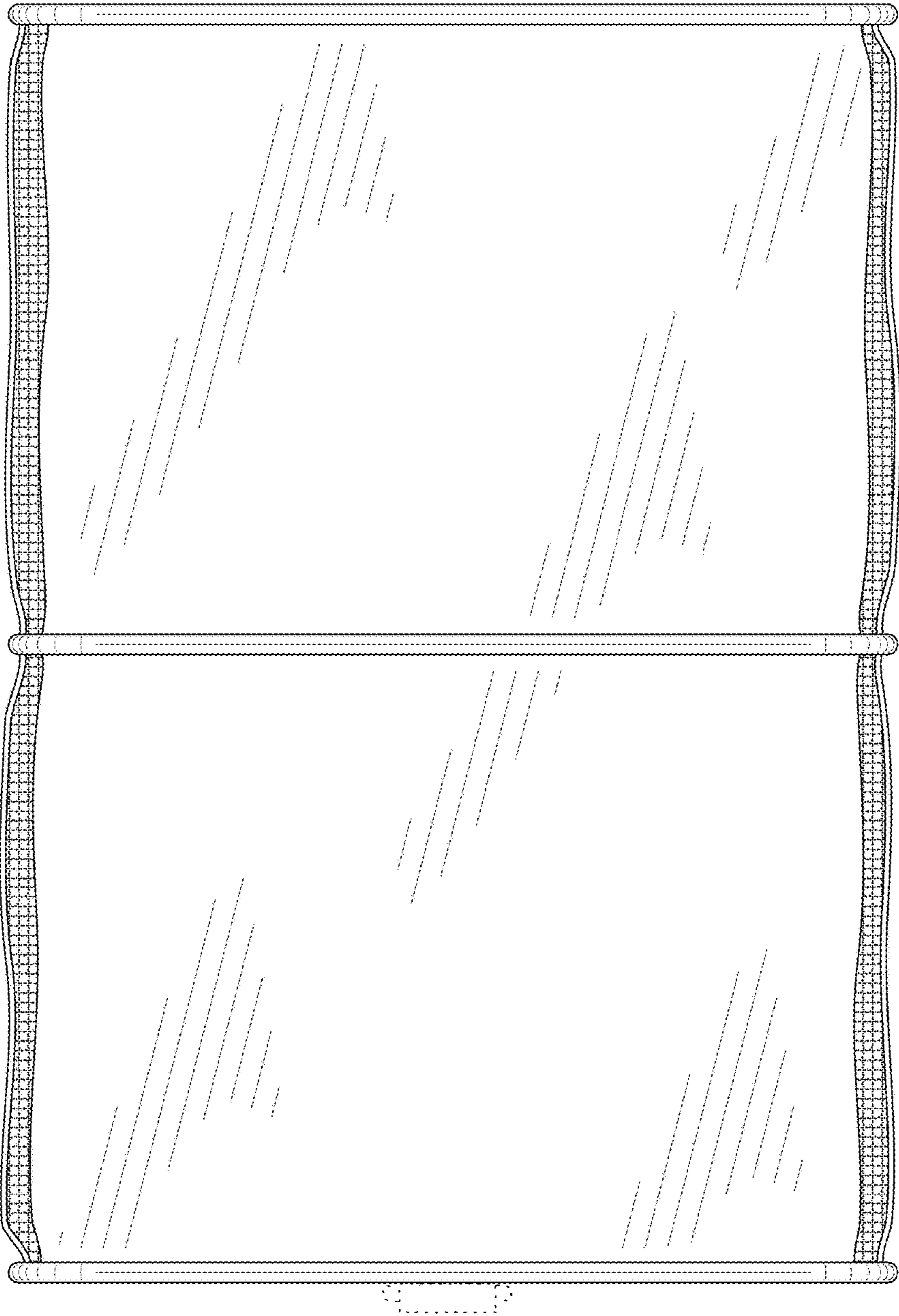


FIG. 7