



US00D868467S

(12) **United States Design Patent** (10) **Patent No.:** **US D868,467 S**
Feng (45) **Date of Patent:** **** Dec. 3, 2019**

(54) **MAKEUP ORGANIZER**
(71) Applicant: **Amazonkey**, Chino, CA (US)
(72) Inventor: **ZhenHua Feng**, Shangdong (CN)
(73) Assignee: **Amazonkey**, Chino, CA (US)
(**) Term: **15 Years**

(21) Appl. No.: **29/695,246**
(22) Filed: **Jun. 18, 2019**
(51) **LOC (12) Cl.** **03-01**
(52) **U.S. Cl.**
USPC **D3/297; D3/298; D3/901**
(58) **Field of Classification Search**
USPC D3/203.6, 205, 273, 274, 275, 276, 278,
D3/283, 284, 287, 289, 294, 297, 296,
D3/299, 302, 303, 901, 903, 905, 301,
D3/298
CPC .. A45D 2033/001; A45D 33/00; A45C 11/16;
A45C 3/004
See application file for complete search history.

(56) **References Cited**
U.S. PATENT DOCUMENTS
D197,252 S * 12/1963 Spears D3/297
D255,401 S * 6/1980 Smith D3/296
D291,067 S * 7/1987 Minost D3/302
D304,262 S * 10/1989 Mays D3/271.9
D343,058 S * 1/1994 Allegre D28/73
D346,695 S * 5/1994 Williams D3/296
D481,533 S * 11/2003 McGillivray D3/206
D630,379 S * 1/2011 Chen
D671,318 S * 11/2012 Schmidt D3/297
D687,188 S * 7/2013 Lai
D688,006 S * 8/2013 Lai
D761,022 S * 7/2016 Wang D3/293

D794,330 S * 8/2017 Foley D3/284
D839,585 S * 2/2019 Beilman D3/205
2015/0001128 A1* 1/2015 Jaffe A45C 11/16
206/581
2018/0352938 A1* 12/2018 Garza A45D 44/005

OTHER PUBLICATIONS

Amazon, "Multifunctional Makeup Organizer with Dustproof Jewelry and Cosmetic Storage Skin Care Products Rack . . .", First review Jul. 01, 2019. (<https://www.amazon.com/Multifunctional-Organizer-Dustproof-Finishing-Countertop/dp/B07RNQYW63?th=1>) (Year: 2019).*
Amazon, "Fazhen Cosmetic and Jewelry Storage with Dustproof Lid . . .", First review Jul. 30, 2019. (<https://www.amazon.com/Fazhen-Cosmetic-Dustproof-Organizer-Finishing/dp/B07KYS9GC1/>) (Year: 2019).*

* cited by examiner

Primary Examiner — April Rivas

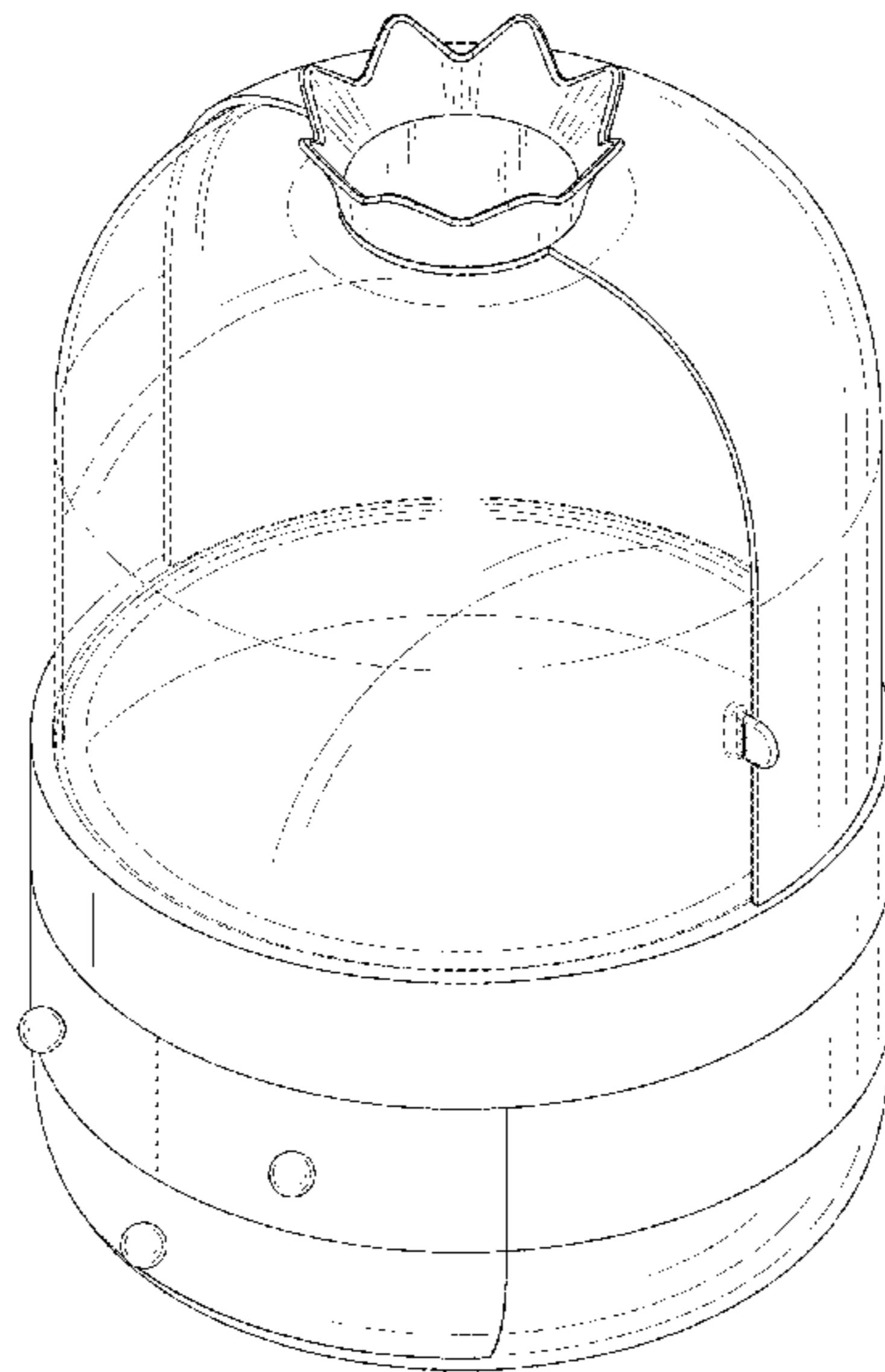
(57) **CLAIM**

The ornamental design for a makeup organizer, as shown and described.

DESCRIPTION

FIG. 1 is a perspective view of a makeup organizer showing my design;
FIG. 2 is a front view thereof;
FIG. 3 is a back view thereof;
FIG. 4 is a left side view thereof;
FIG. 5 is a right side view thereof;
FIG. 6 is a top view thereof;
FIG. 7 is a bottom view thereof; and,
FIG. 8 is a perspective view of the makeup organizer, showing the drawers in an open position.
The broken lines shown in the drawings depict portions of the makeup organizer in which the design is embodied that form no part of the claimed design.

1 Claim, 8 Drawing Sheets



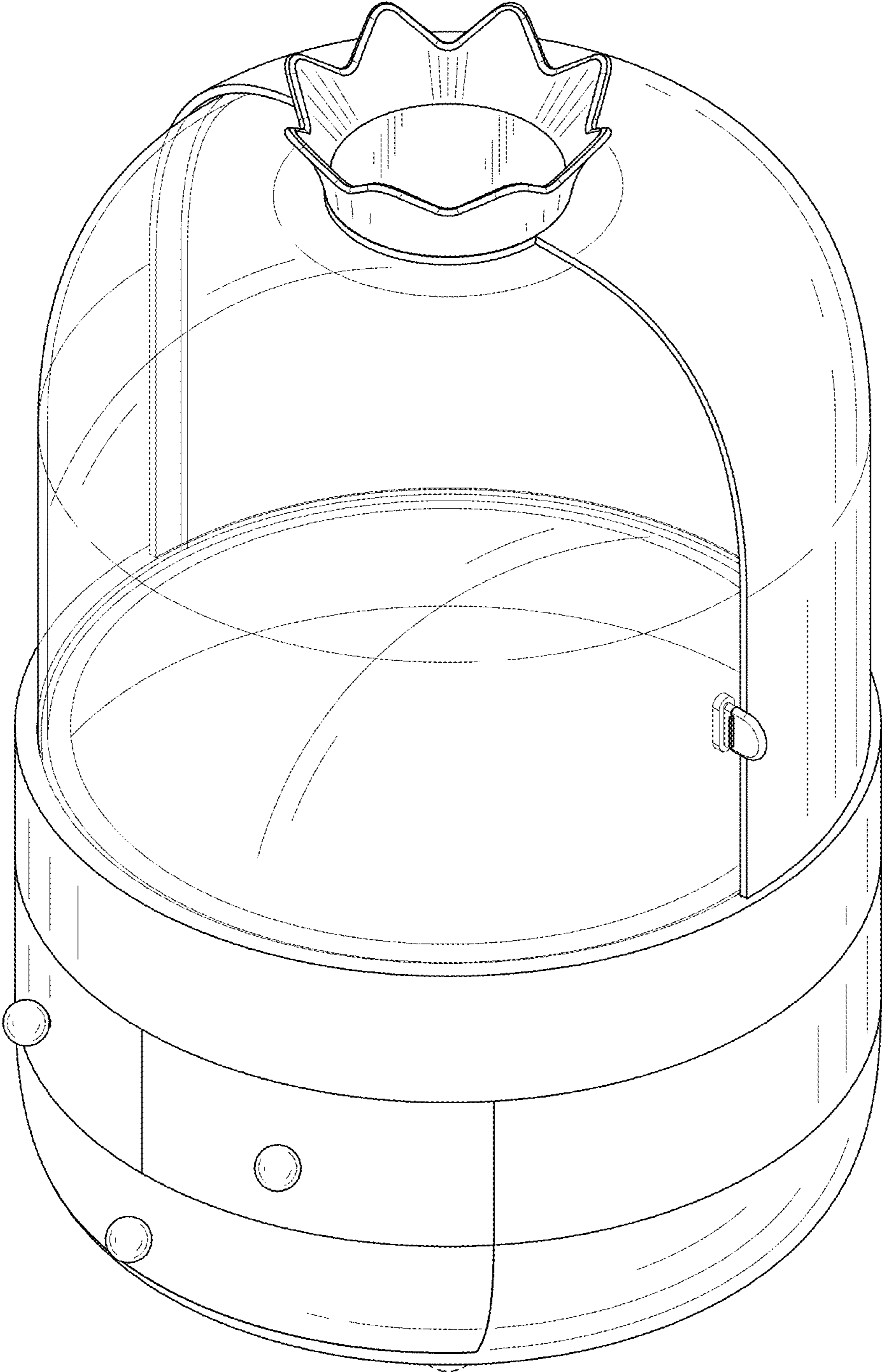


FIG. 1

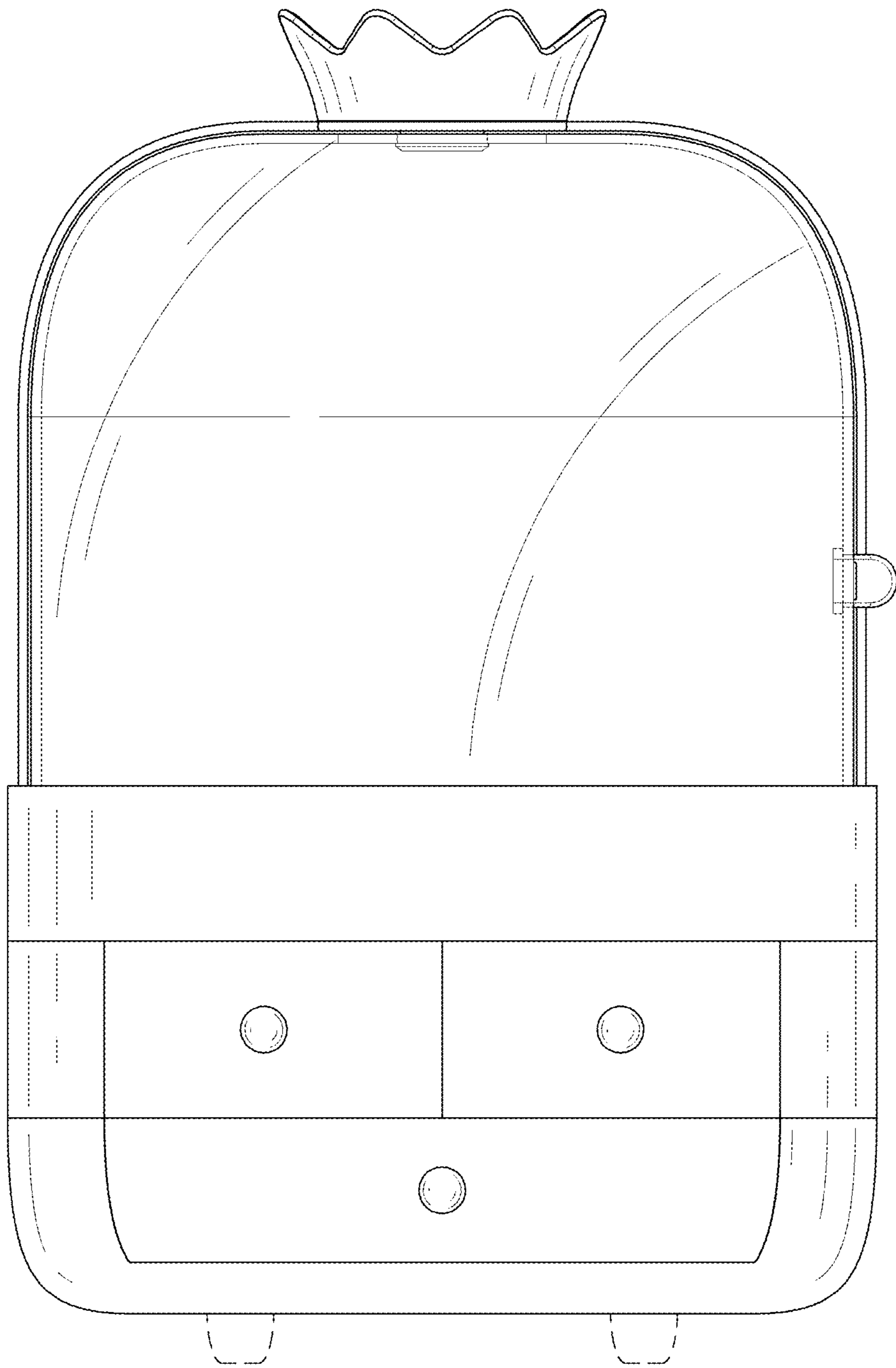


FIG. 2

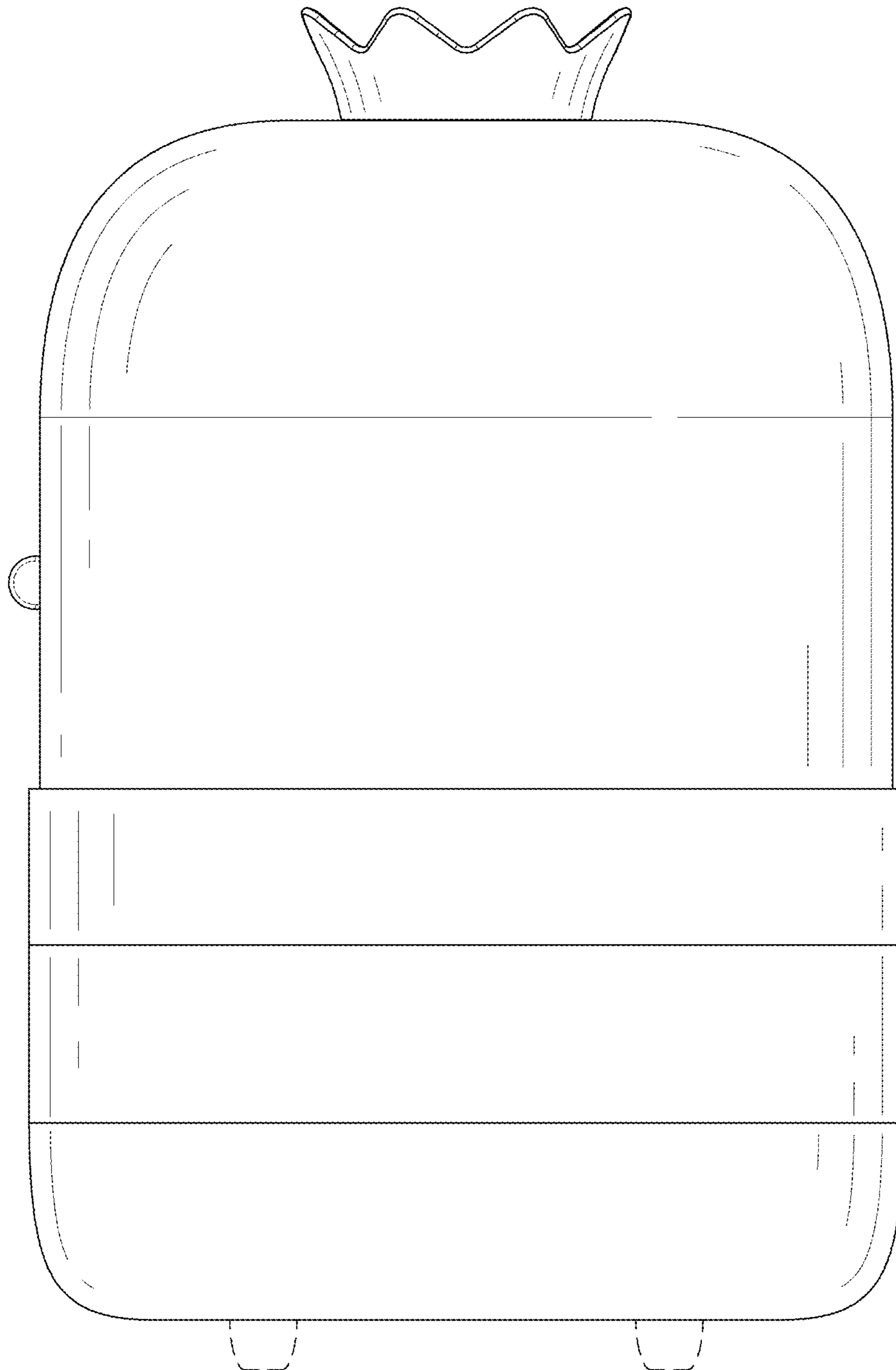


FIG. 3

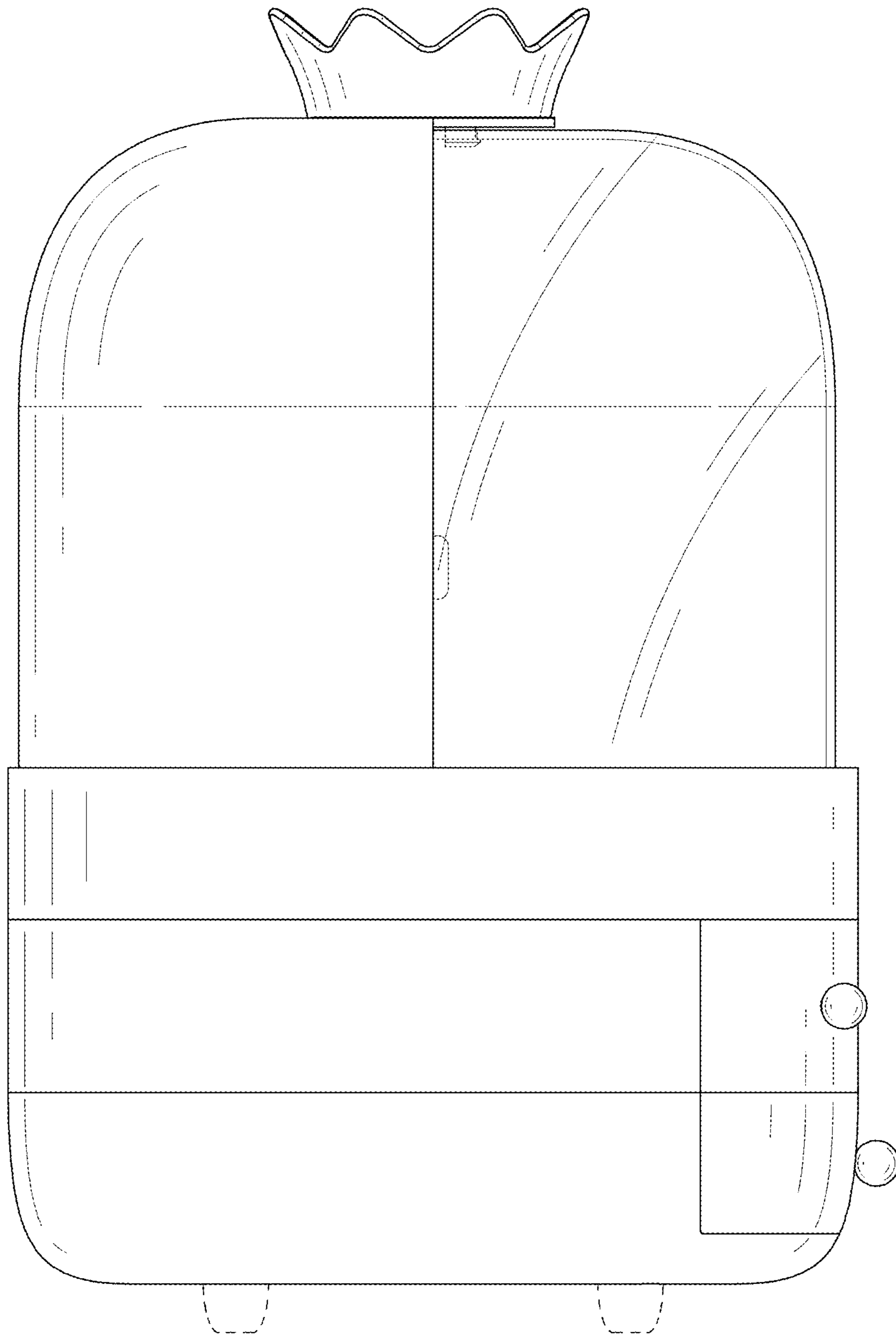


FIG. 4

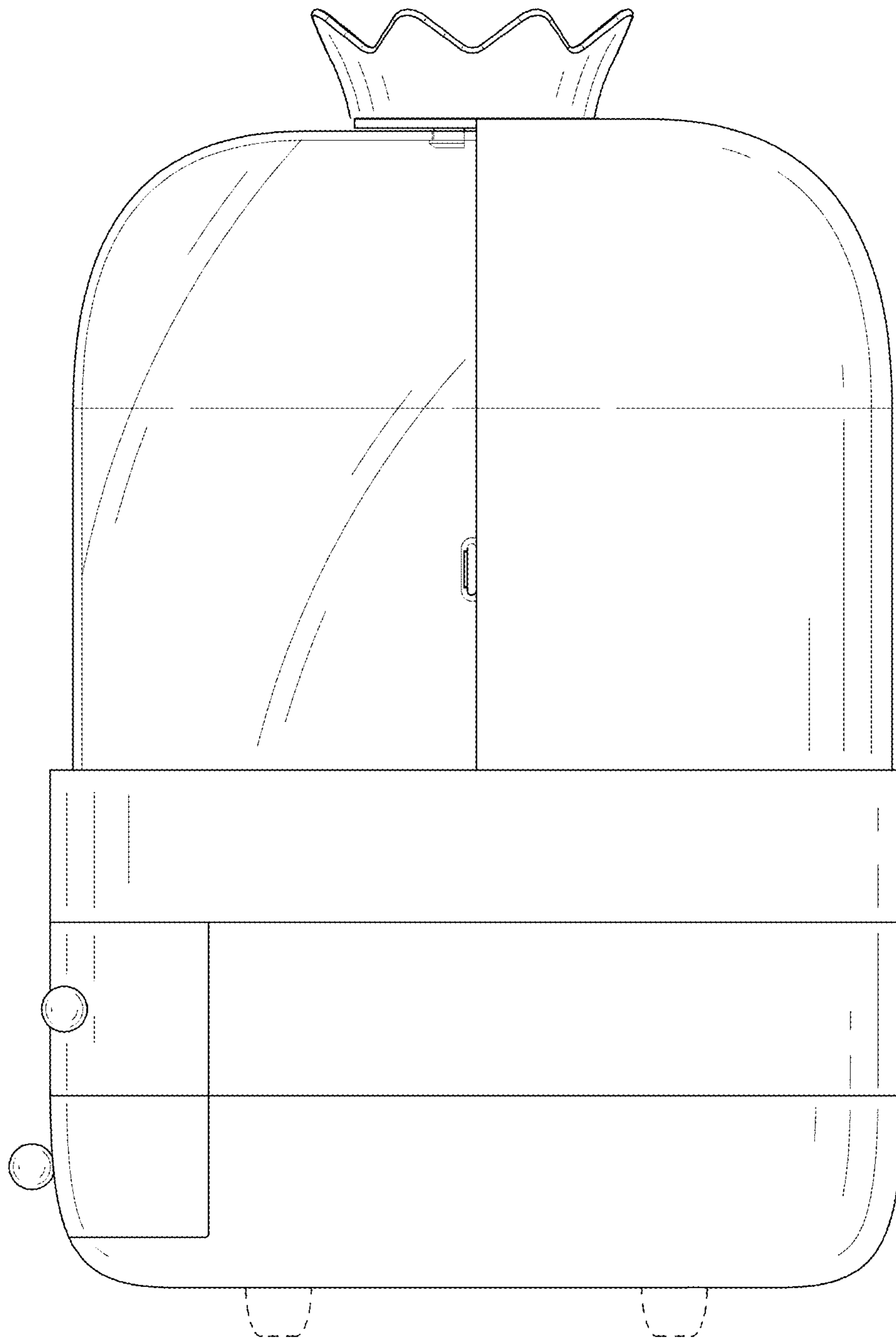


FIG. 5

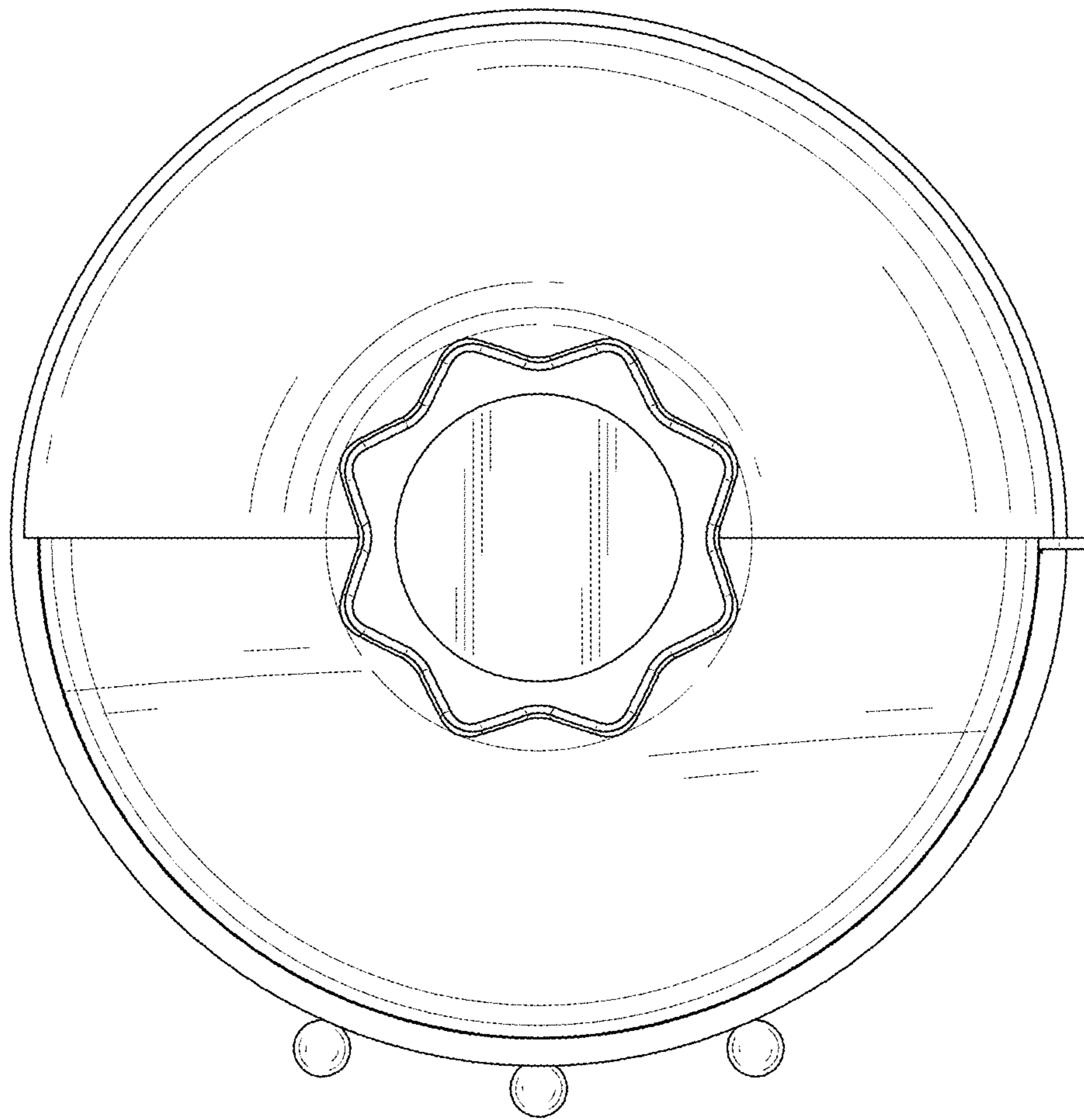


FIG. 6

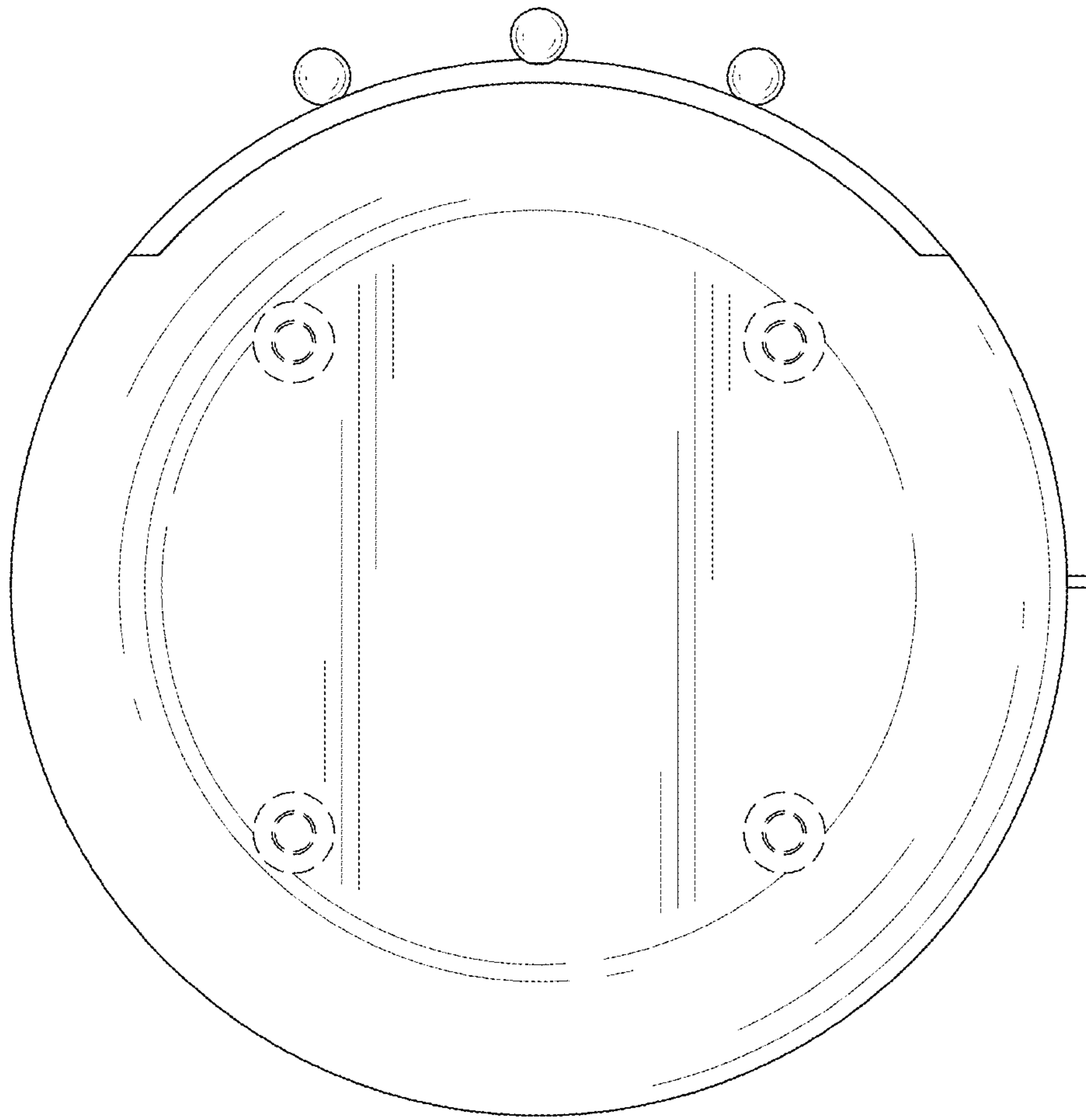


FIG. 7

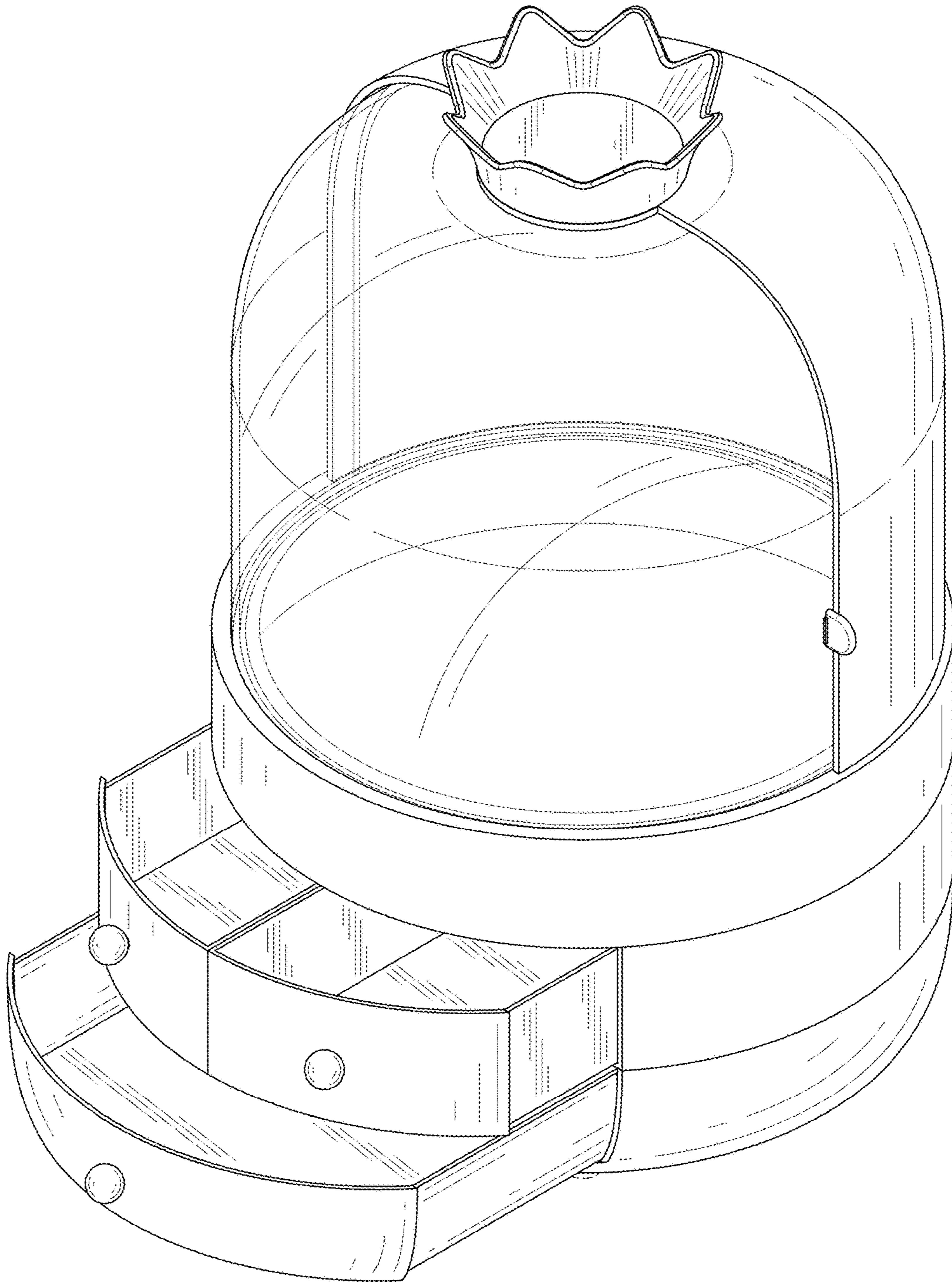


FIG. 8