



US00D868465S

(12) **United States Design Patent** (10) **Patent No.:** **US D868,465 S**  
**Lee et al.** (45) **Date of Patent:** **\*\* Dec. 3, 2019**

(54) **PROTECTIVE COVER SKIN FOR ELECTRONIC DEVICE**

FOREIGN PATENT DOCUMENTS

(71) Applicant: **elago CO. LTD**, Goyang-si, Gyeonggi-do (KR)

CN 304616205 5/2018  
CN 304701574 6/2018

(Continued)

(72) Inventors: **Chanwoo Lee**, Goyang-si (KR); **Chong Min Kim**, Seoul (KR)

OTHER PUBLICATIONS

(73) Assignee: **elago CO. LTD**, Goyang-si, Gyeonggi-Do (KR)

Amazon, "elago AirPods Duo Case [Body-Lavender/Top-Pastel Blue, Lovely Pink]—[Compatible with Apple AirPods 1 & 2; Front LED Not Visible][Supports Wireless Charging] for Apple AirPods 1 & 2", first on sale Apr. 23, 2018. (<https://www.amazon.com/dp/B07G73HH1B>) (Year: 2018).\*

(Continued)

(\*\*) Term: **15 Years**

(21) Appl. No.: **29/693,949**

*Primary Examiner* — April Rivas

(22) Filed: **Jun. 6, 2019**

(74) *Attorney, Agent, or Firm* — Paratus Law Group, PLLC

(51) **LOC (12) Cl.** ..... **03-01**

(57) **CLAIM**

(52) **U.S. Cl.**  
USPC ..... **D3/269; D3/270; D3/302**

The ornamental design for a protective cover skin for electronic device, as shown and described.

(58) **Field of Classification Search**  
USPC ..... D3/201, 208, 212, 271.1, 273, 294, 218, D3/215, 269, 270, 302; D9/711, 455; D14/217, 221, 223, 496; D13/118  
CPC ..... A45C 13/002; A45C 2011/001; H04R 1/1025

**DESCRIPTION**

See application file for complete search history.

FIG. 1 is a front, top and right perspective view of protective cover skin for electronic device showing claimed design; FIG. 2 is a front view thereof; FIG. 3 is a back view thereof; FIG. 4 is a left side view thereof; FIG. 5 is a right side view thereof; FIG. 6 is a top view thereof; FIG. 7 is a bottom view thereof; FIG. 8 is a rear, bottom and right perspective view thereof; and, FIG. 9 is a front, top and right perspective view thereof, in a reduced scale, with a top portion open in use. The broken lines shown in FIG. 3 depict a portion of the protective cover skin, but form no part of the claimed design. The broken lines shown in FIG. 10 depict environment and form no part of the claimed design.

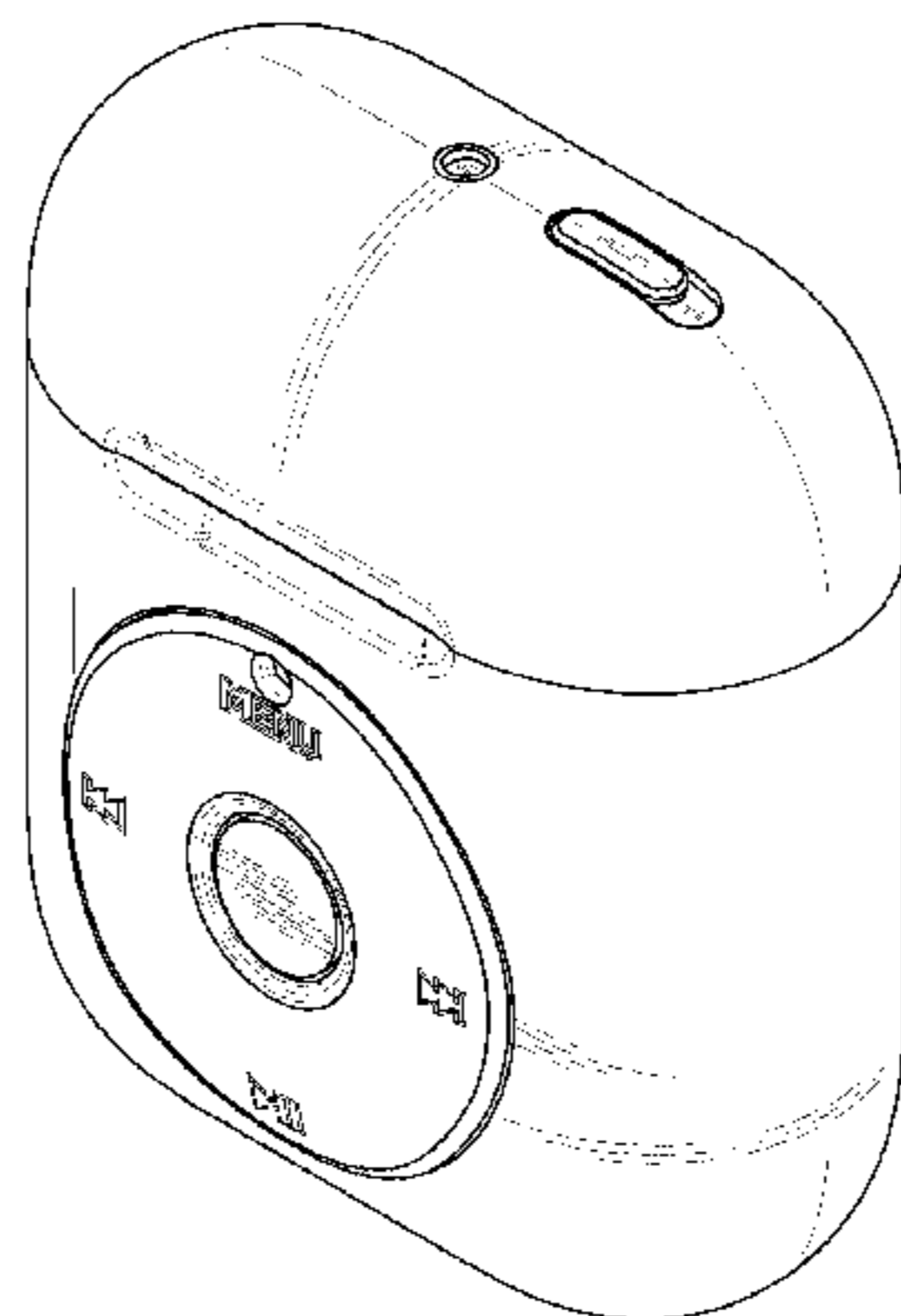
(56) **References Cited**

U.S. PATENT DOCUMENTS

D467,799 S \* 12/2002 Persson ..... D9/420  
7,775,354 B2 8/2010 Latchford et al.  
D656,159 S 3/2012 Andre et al.  
8,212,779 B2 \* 7/2012 Chiang ..... G06F 1/1626  
345/156  
D665,820 S 8/2012 Andre et al.  
D667,387 S \* 9/2012 Andre ..... D14/203.7  
D672,642 S 12/2012 Supranowicz

(Continued)

**1 Claim, 8 Drawing Sheets**



(56)

**References Cited**

U.S. PATENT DOCUMENTS

|                 |         |                 |           |
|-----------------|---------|-----------------|-----------|
| D735,184 S      | 7/2015  | Lee et al.      |           |
| D775,463 S      | 1/2017  | Shieh           |           |
| D794,617 S *    | 8/2017  | Wright .....    | D14/203.3 |
| D794,618 S *    | 8/2017  | Wright .....    | D14/203.3 |
| D806,388 S *    | 1/2018  | Akana .....     | D3/294    |
| D808,791 S      | 1/2018  | Johnston et al. |           |
| D818,268 S      | 5/2018  | Akana et al.    |           |
| D834,301 S *    | 11/2018 | Poissant .....  | D3/201    |
| D853,357 S *    | 7/2019  | Li .....        | D14/217   |
| 2007/0184781 A1 | 8/2007  | Huskinson       |           |
| 2012/0031786 A1 | 2/2012  | Mish et al.     |           |
| 2017/0095065 A1 | 4/2017  | Colbert et al.  |           |

FOREIGN PATENT DOCUMENTS

|    |           |         |
|----|-----------|---------|
| CN | 304708016 | 7/2018  |
| CN | 304778115 | 8/2018  |
| CN | 304814243 | 9/2018  |
| CN | 304841049 | 10/2018 |

|    |                |         |
|----|----------------|---------|
| CN | 304877424      | 11/2018 |
| CN | 304943054      | 12/2018 |
| CN | 304948858      | 12/2018 |
| CN | 304983202      | 1/2019  |
| CN | 304989087      | 1/2019  |
| CN | 304989088      | 1/2019  |
| CN | 304995211      | 1/2019  |
| CN | 304995216      | 1/2019  |
| CN | 305122245      | 4/2019  |
| CN | 305127683      | 4/2019  |
| CN | 305198691      | 6/2019  |
| EM | 003784321-0001 | 6/2017  |
| EM | 006085924-0001 | 2/2019  |
| EM | 006262796-0001 | 3/2019  |
| GB | 6040802        | 8/2018  |

OTHER PUBLICATIONS

Amazon, "Apple AirPods Case Decal—iPod Classic Wheel", first reviewed Feb. 28, 2019. (<https://www.amazon.com/Apple-AirPod-Case-Decal-Classic/dp/B07CWKV6QT>) (Year: 2019).\*

\* cited by examiner

FIG. 1

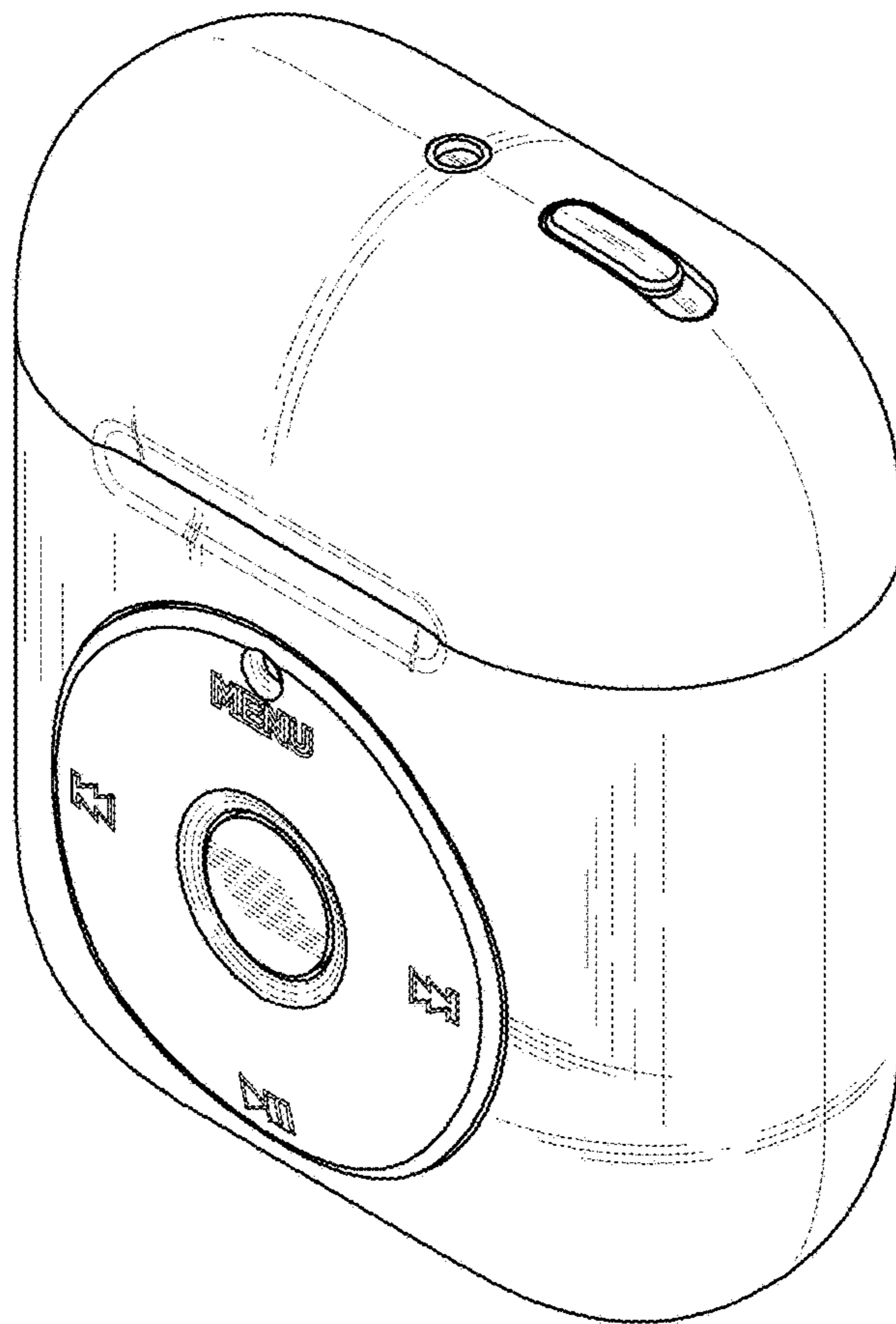


FIG. 2

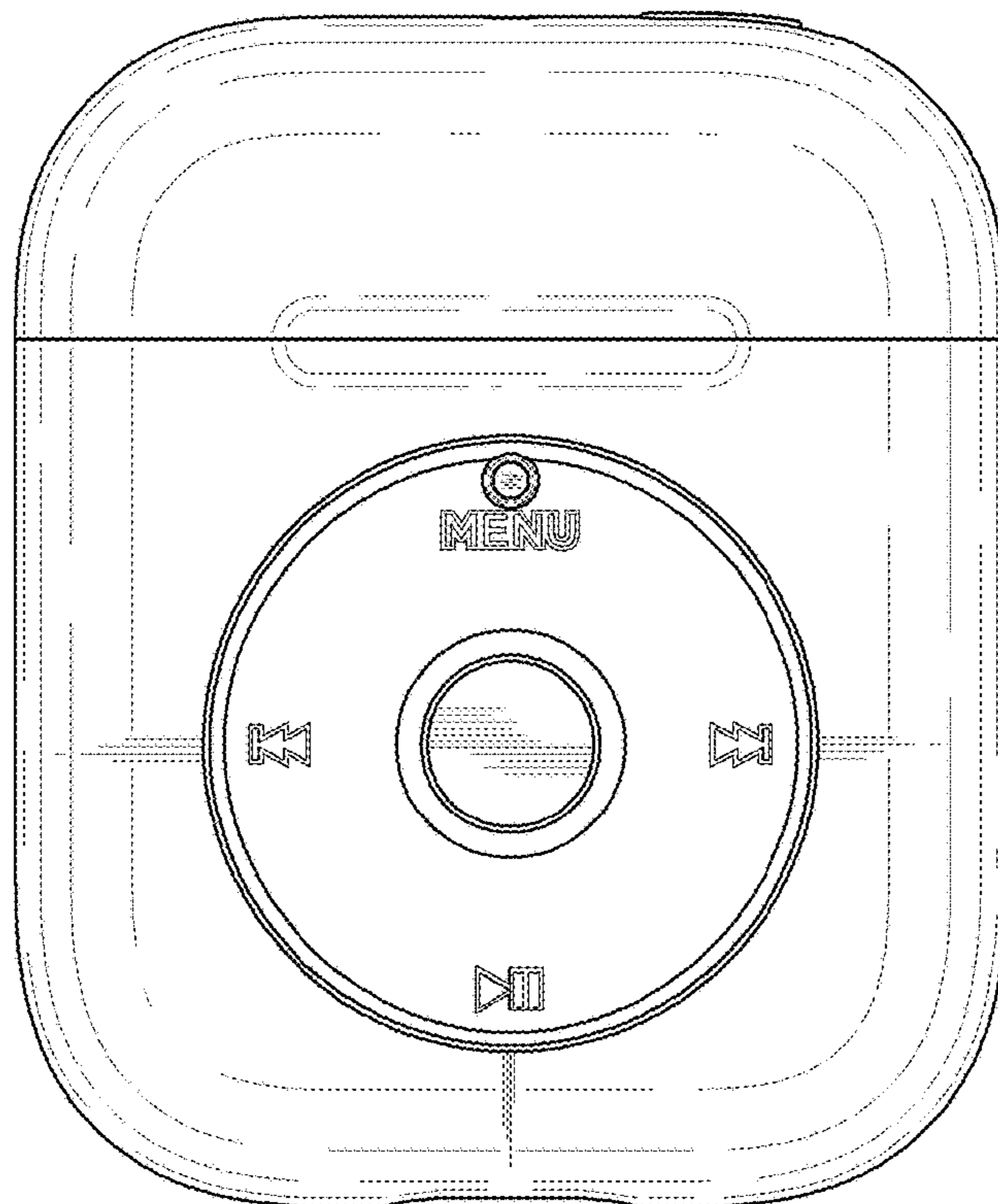


FIG. 3

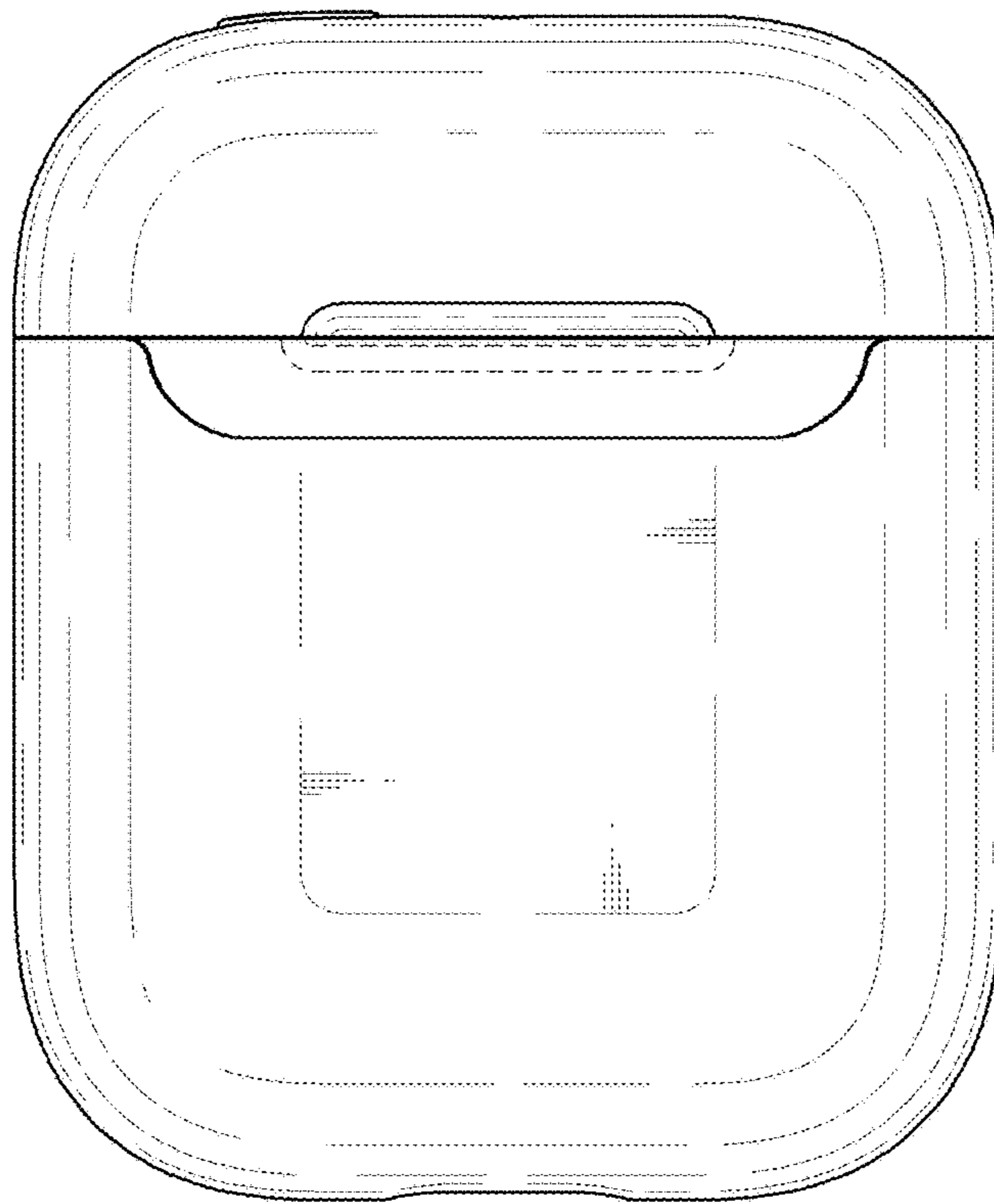


FIG. 4

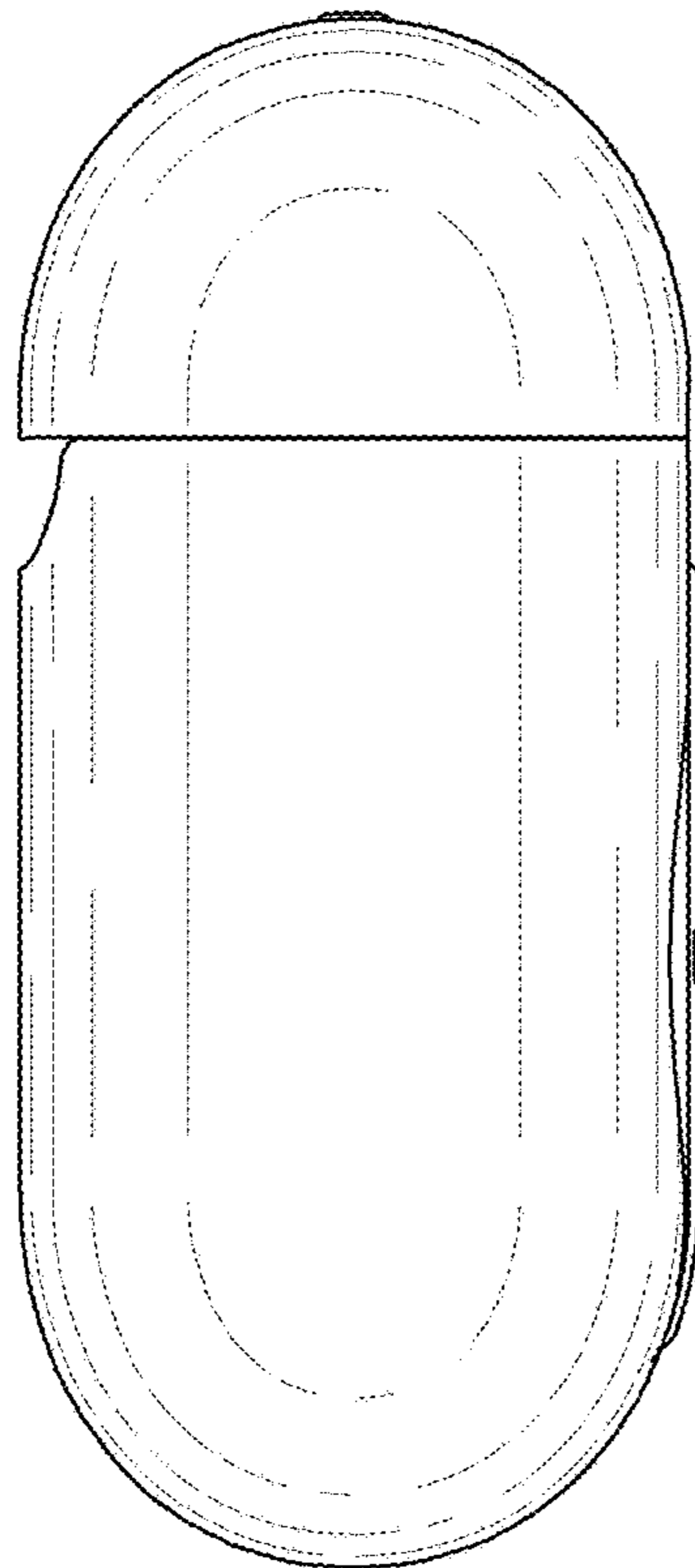




FIG. 5

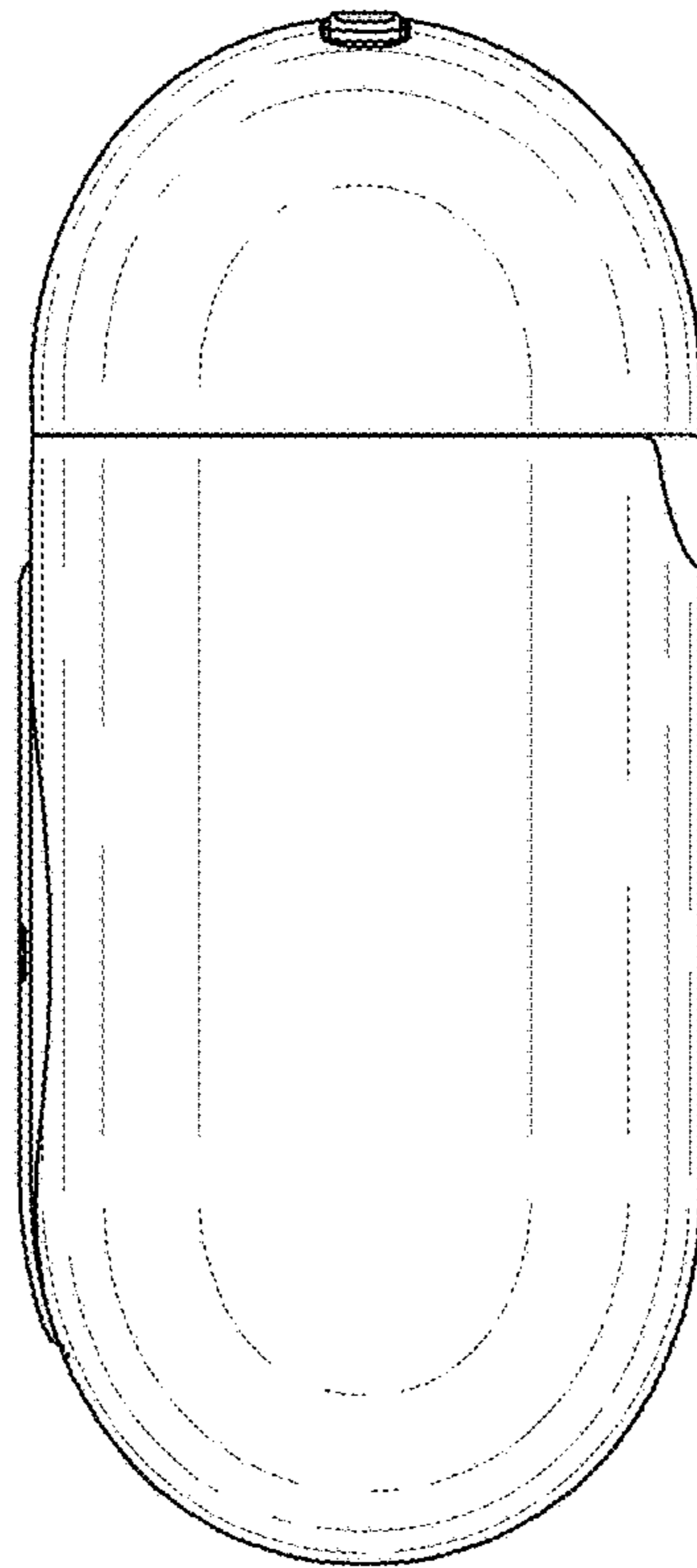


FIG. 6

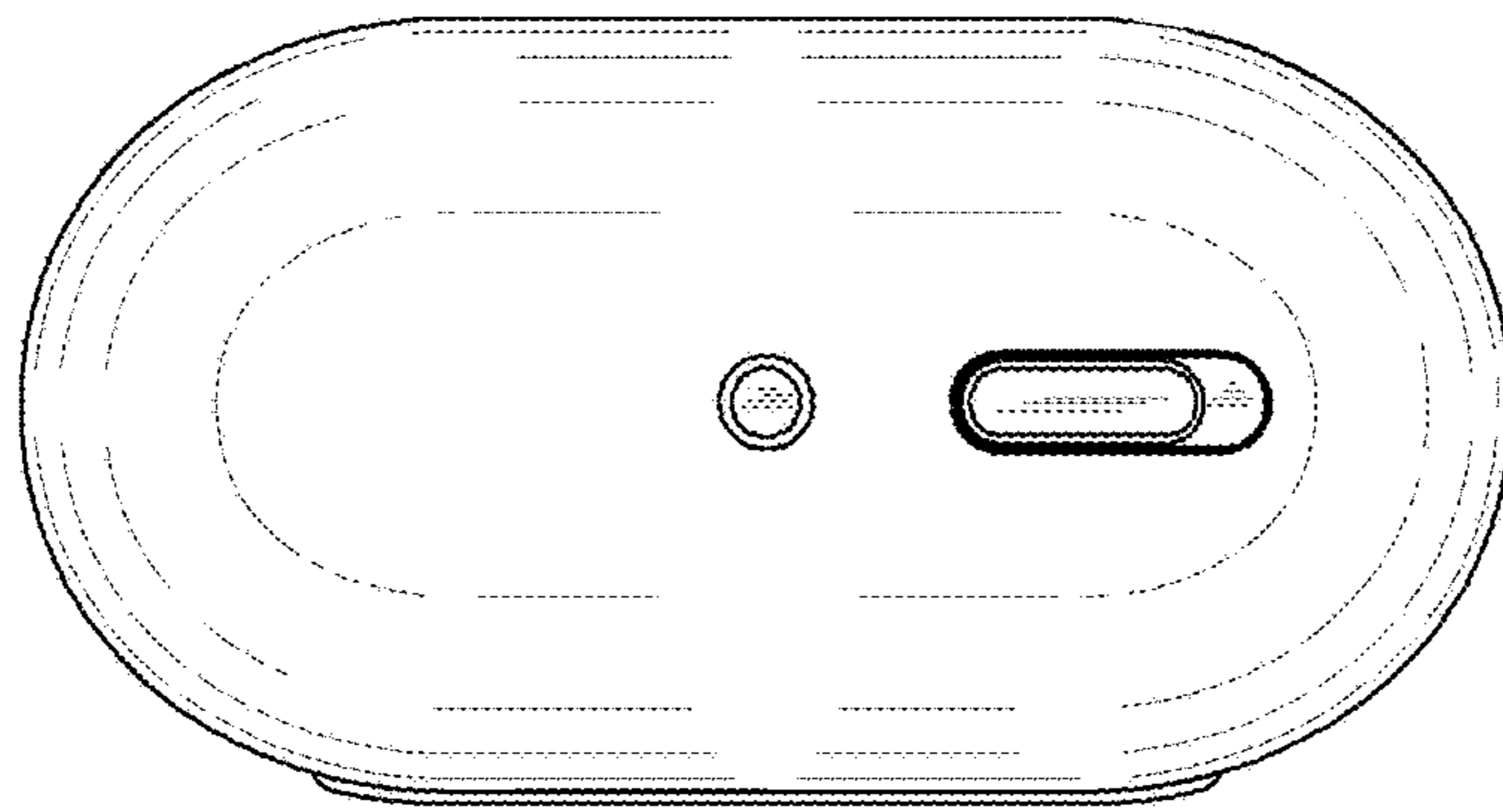


FIG. 7

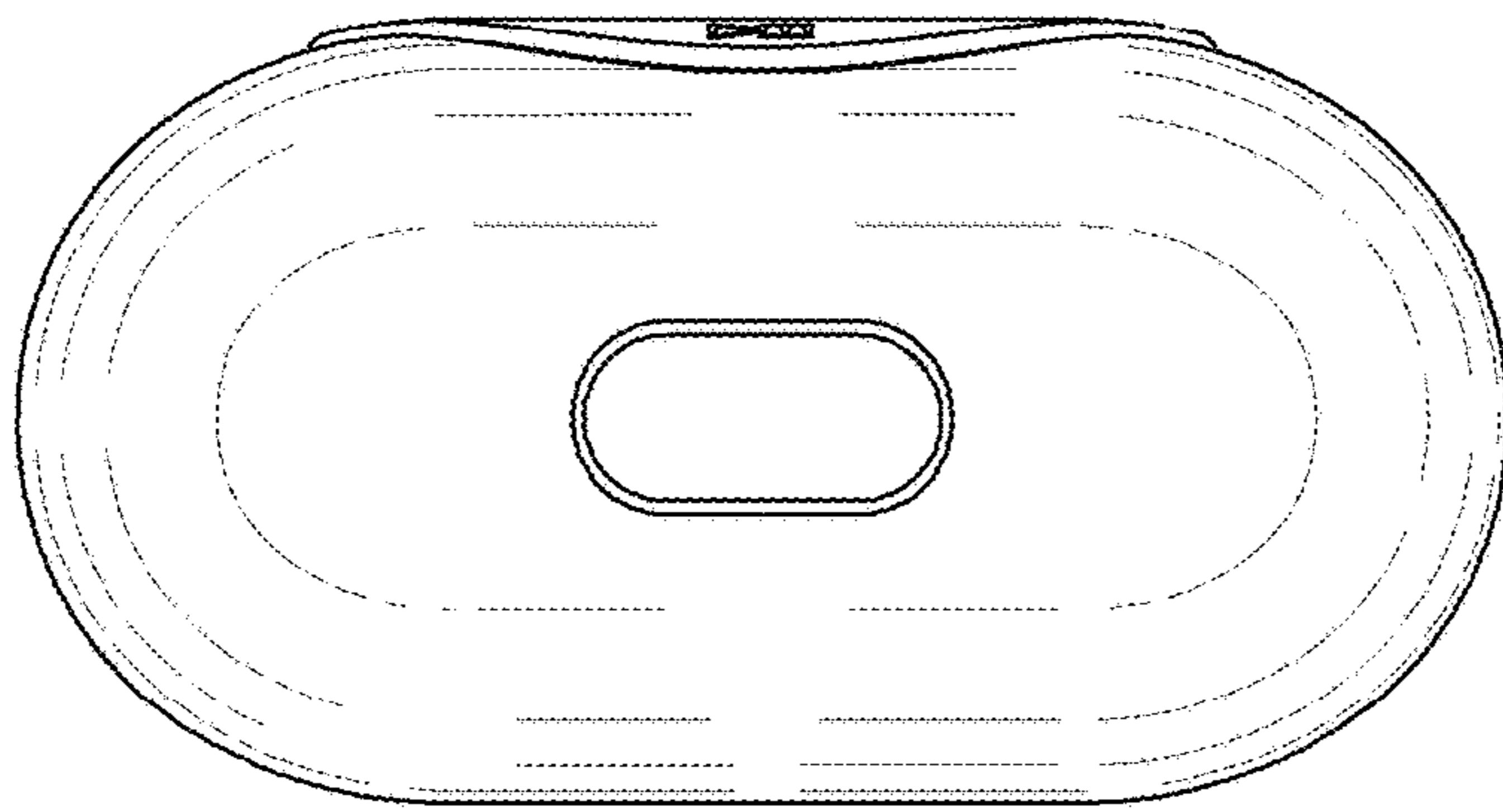




FIG. 8

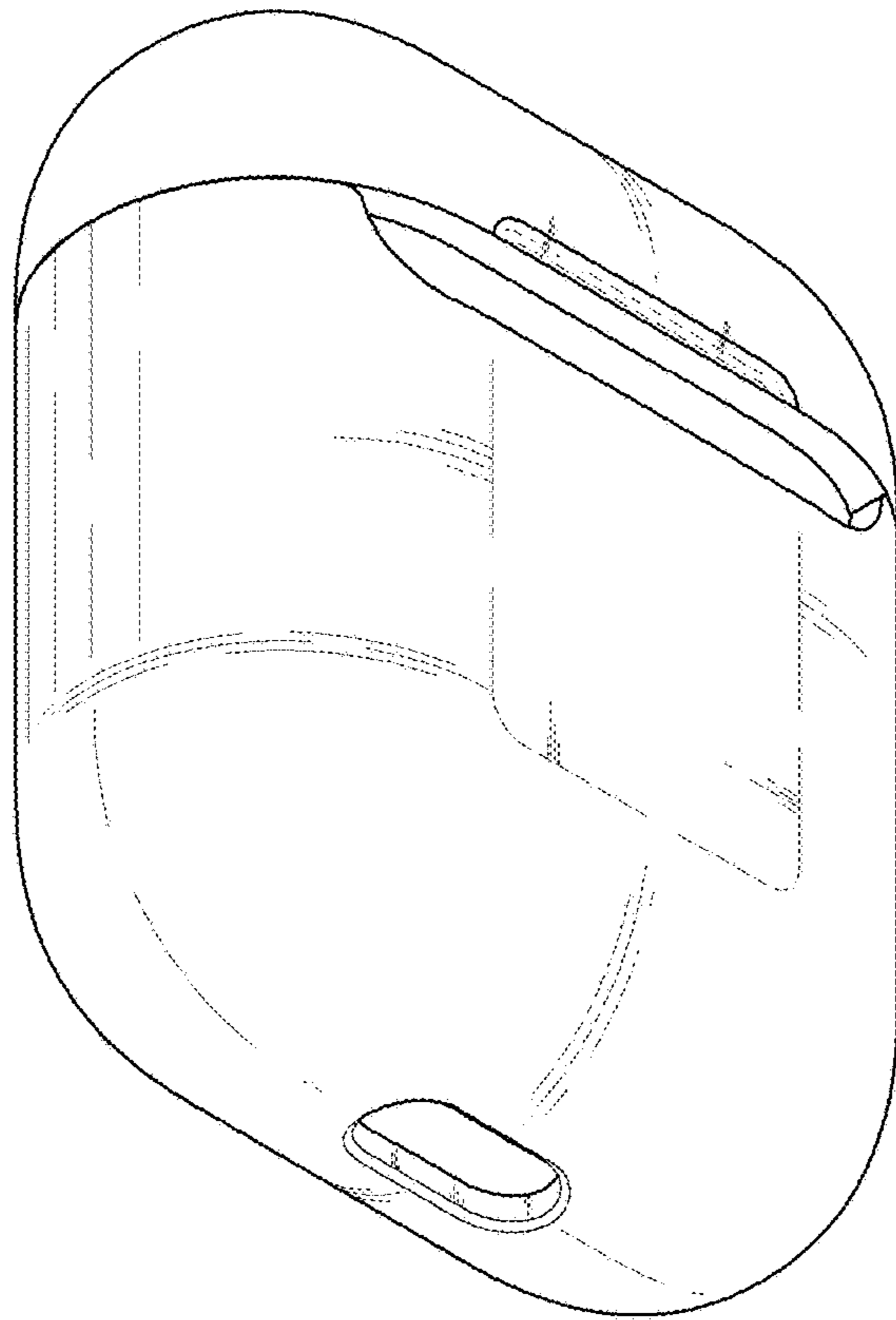


FIG. 9

