



US00D868464S

(12) **United States Design Patent** (10) **Patent No.:** **US D868,464 S**
Moskowitz (45) **Date of Patent:** **** Dec. 3, 2019**

(54) **SECURE ELECTRONICALLY CONTROLLED WALLET DEVICE**

FOREIGN PATENT DOCUMENTS

(71) Applicant: **Benjamin J. Moskowitz**, Croton on Hudson, NY (US)

CN 206150668 U 5/2017
EP 2340735 B 4/2013

(72) Inventor: **Benjamin J. Moskowitz**, Croton on Hudson, NY (US)

* cited by examiner

(**) Term: **15 Years**

Primary Examiner — Holly H Baynham
(74) *Attorney, Agent, or Firm* — The Concept Law Group, PA; Scott M. Garrett; Scott D. Smiley

(21) Appl. No.: **29/667,343**

(57) **CLAIM**

(22) Filed: **Oct. 19, 2018**

The ornamental design for a secure electronically controlled wallet device, as shown and described.

(51) **LOC (12) Cl.** **03-01**

(52) **U.S. Cl.**
USPC **D3/249**

(58) **Field of Classification Search**
USPC D3/247, 249–253
CPC .. A45C 1/06; A45C 3/08; G06F 21/86; G06F 21/34

DESCRIPTION

See application file for complete search history.

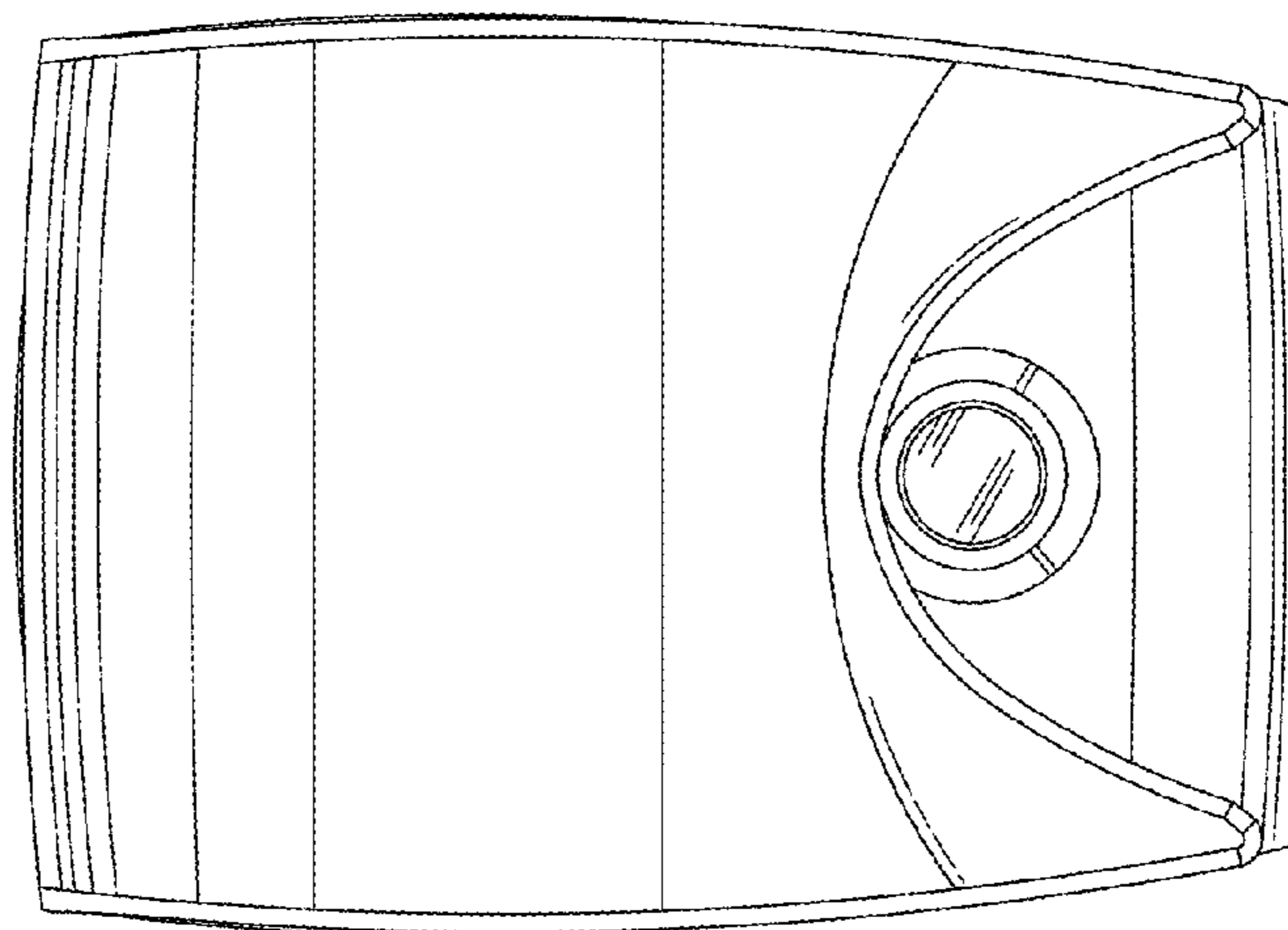
FIG. 1 is a top plan view of the secure electronically controlled wallet device in a closed configuration; FIG. 2 is a right-side elevational view thereof; FIG. 3 is a left-side elevational view thereof; FIG. 4 is a bottom plan view thereof; FIG. 5 is a front elevational view thereof; FIG. 6 is rear elevational view thereof; and FIG. 7 is a perspective view thereof from the top front right; and, FIG. 8 is a perspective view of the secure electronically controlled wallet device in an open configuration from the top right. The broken lines showing features inside the secure electronically controlled wallet device in FIG. 8 depict environment only and form no part of the claimed design.

(56) **References Cited**

U.S. PATENT DOCUMENTS

D406,001 S *	2/1999	Nemeth	D6/407
6,686,840 B1	2/2004	Hammond et al.		
8,215,348 B1	7/2012	Schreiber		
D683,960 S *	6/2013	Robbins	D3/269
8,707,460 B2	4/2014	Cabouli		
9,589,405 B2	3/2017	Cabouli et al.		
9,866,255 B1 *	1/2018	Ketter-Muldrow	H04B 1/3888
9,928,387 B2	3/2018	Simpson		
2013/0014550 A1	1/2013	Xie et al.		
2015/0156301 A1	6/2015	Crawford et al.		

1 Claim, 8 Drawing Sheets



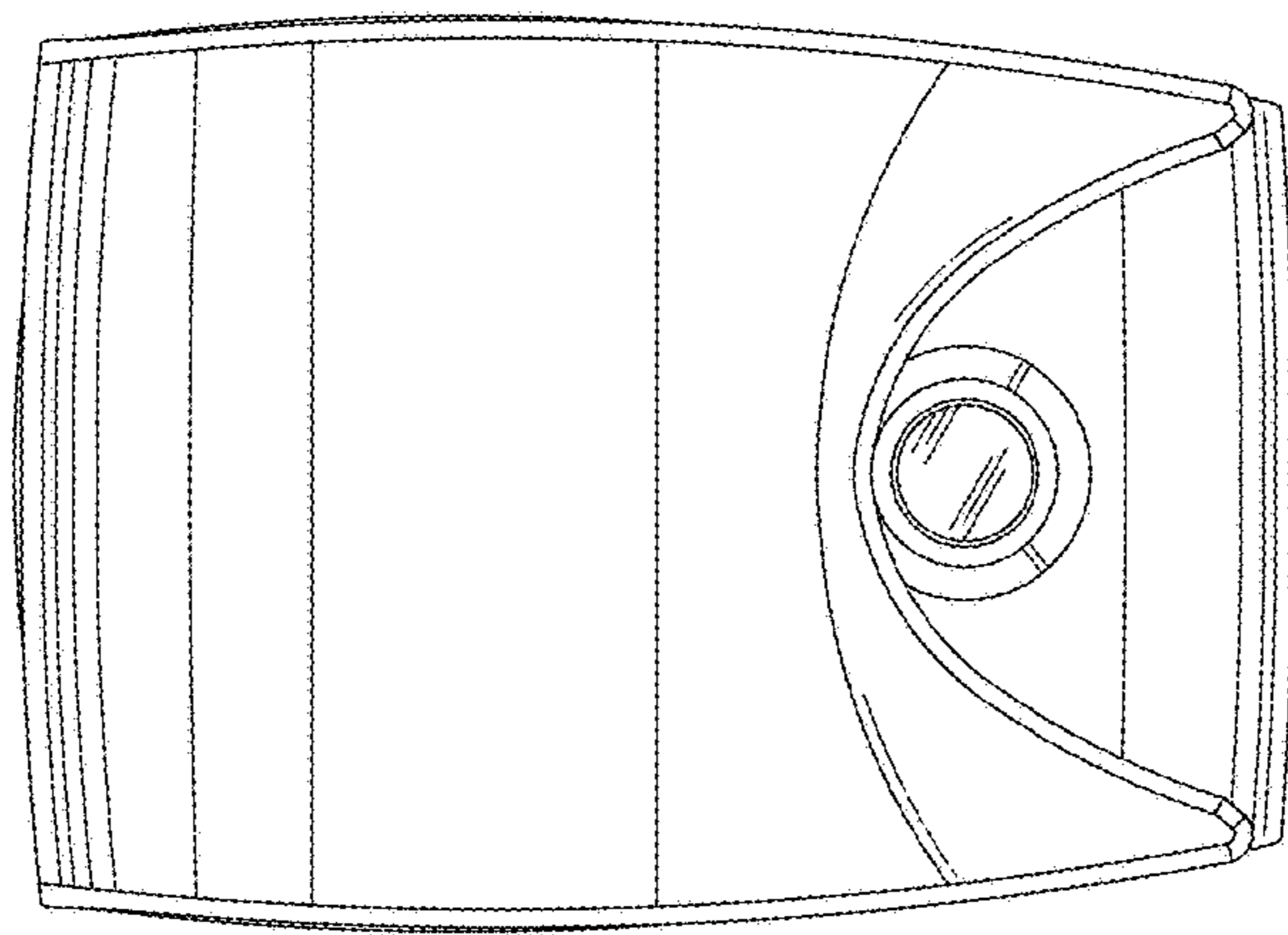


FIG.1

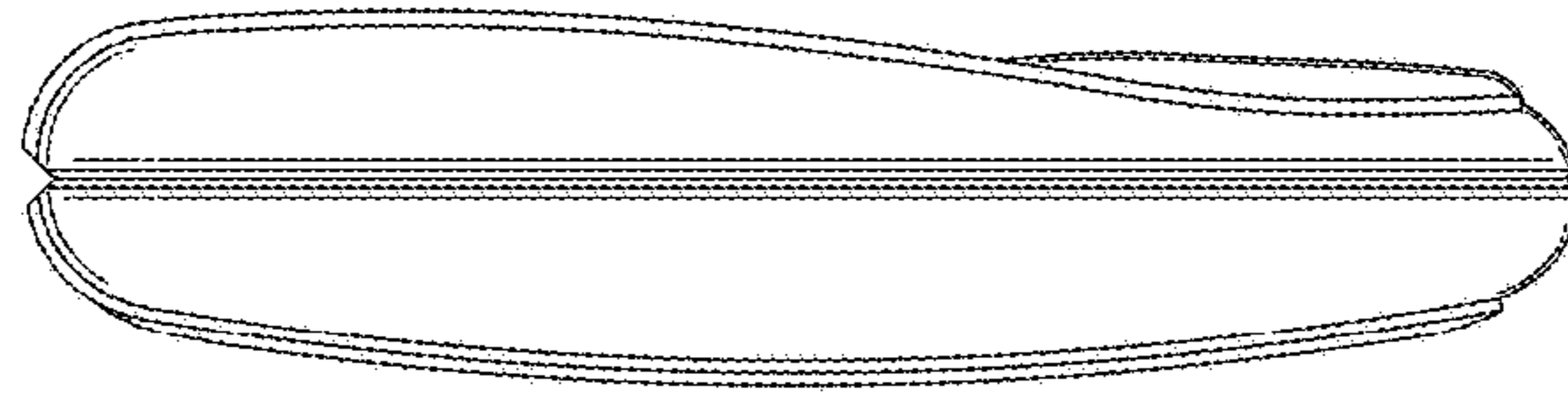


FIG.2

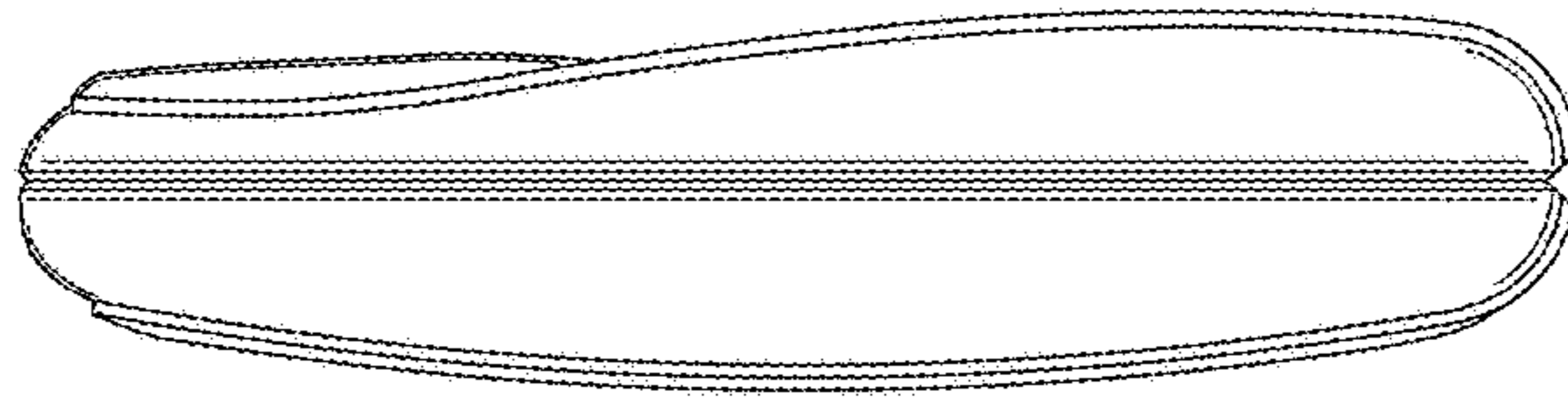


FIG.3

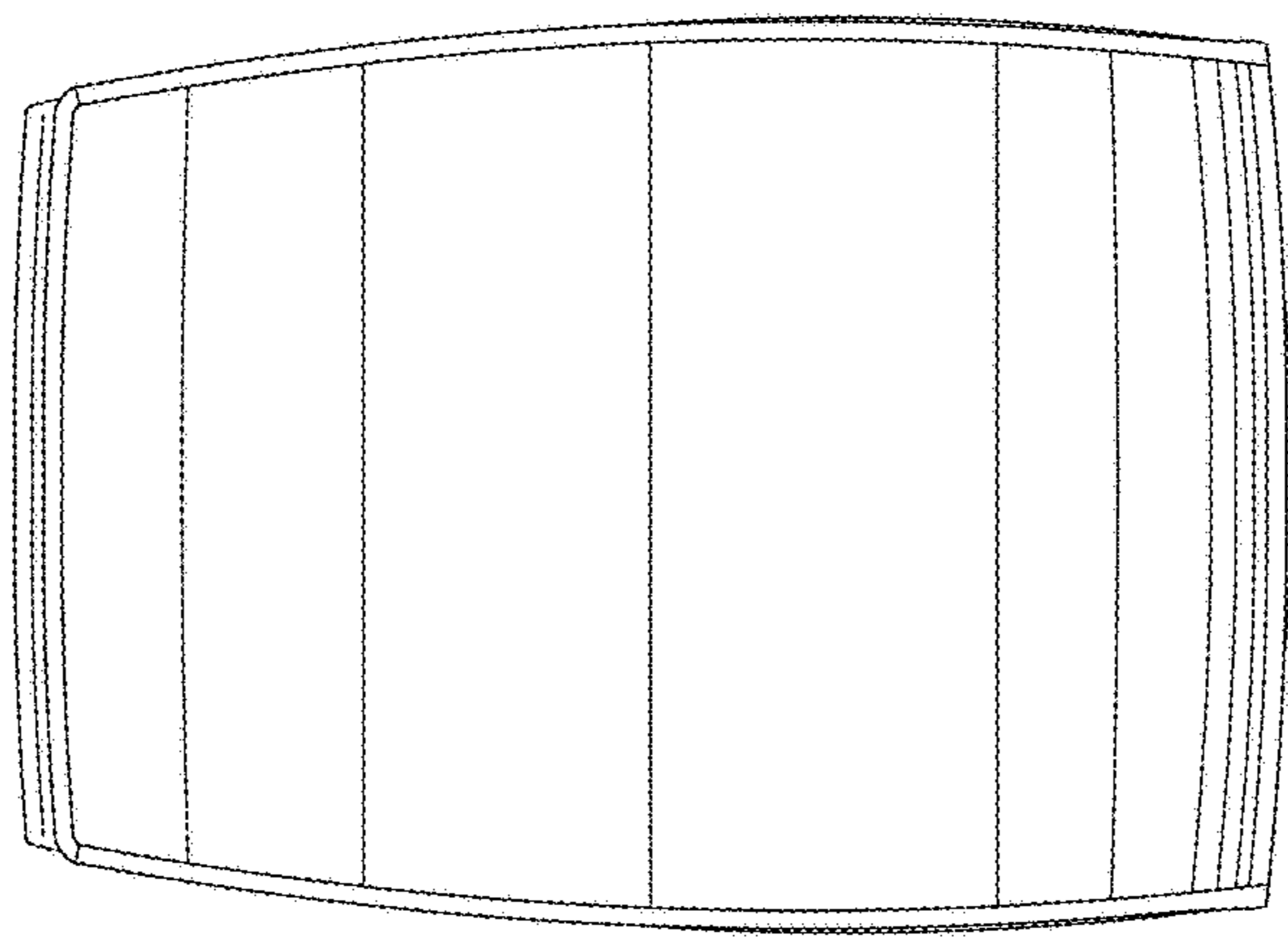


FIG.4

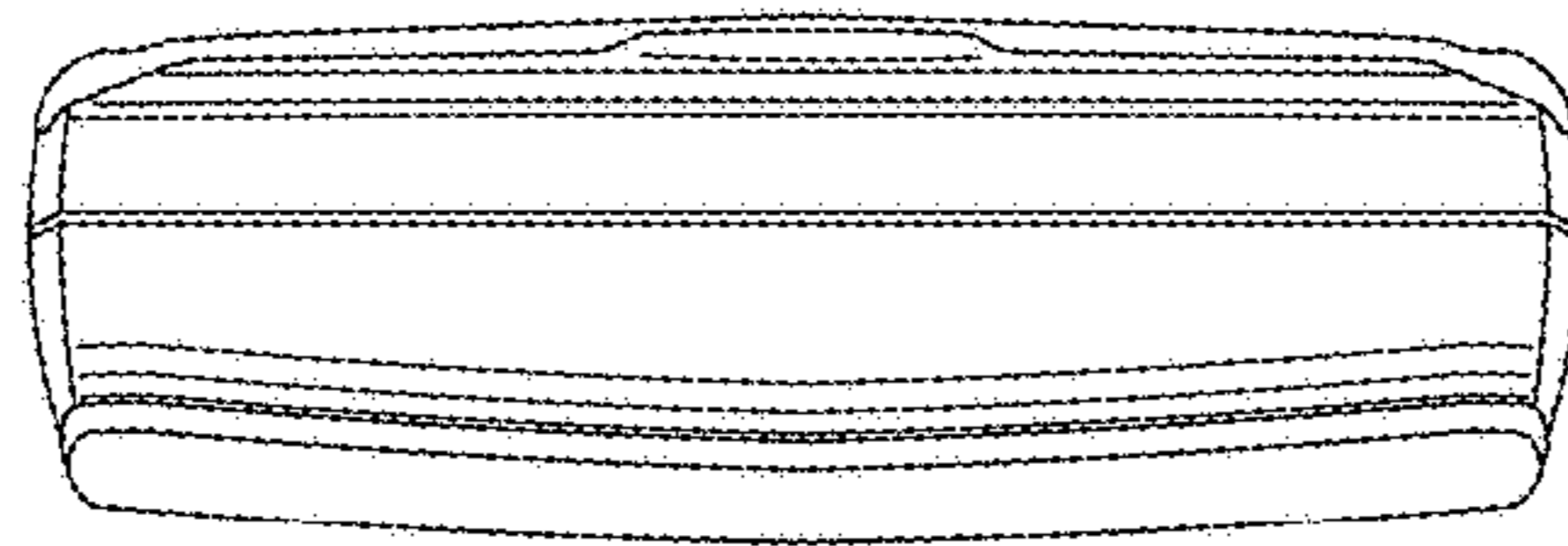


FIG.5

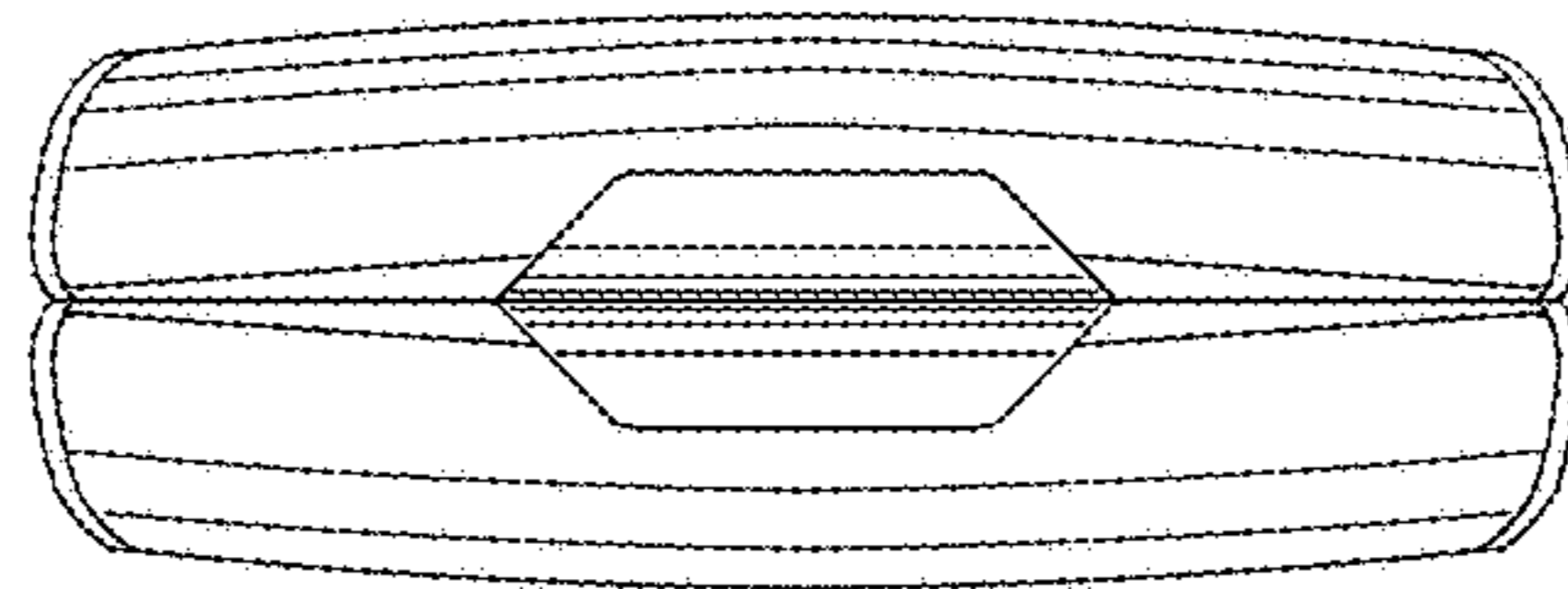


FIG.6

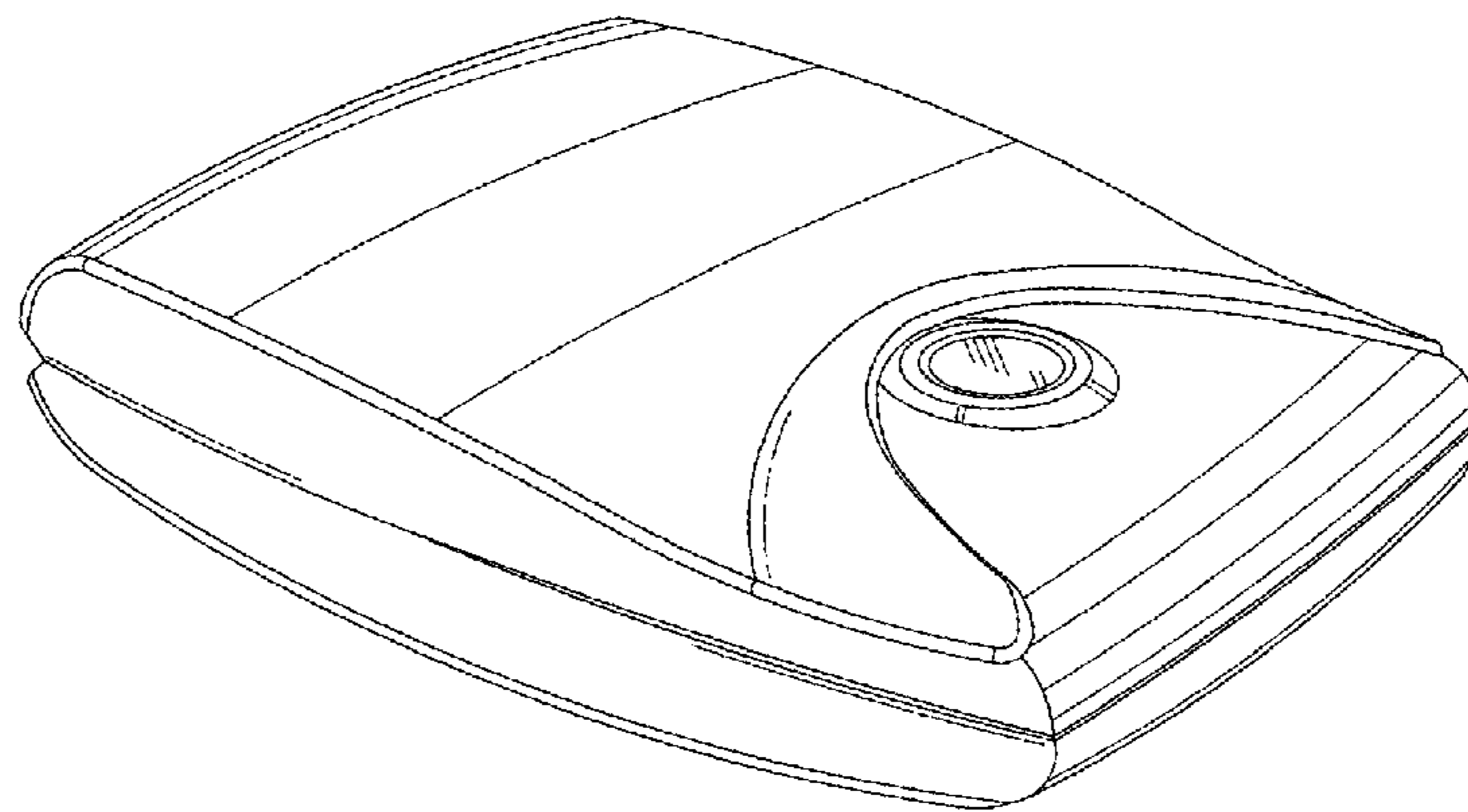


FIG.7

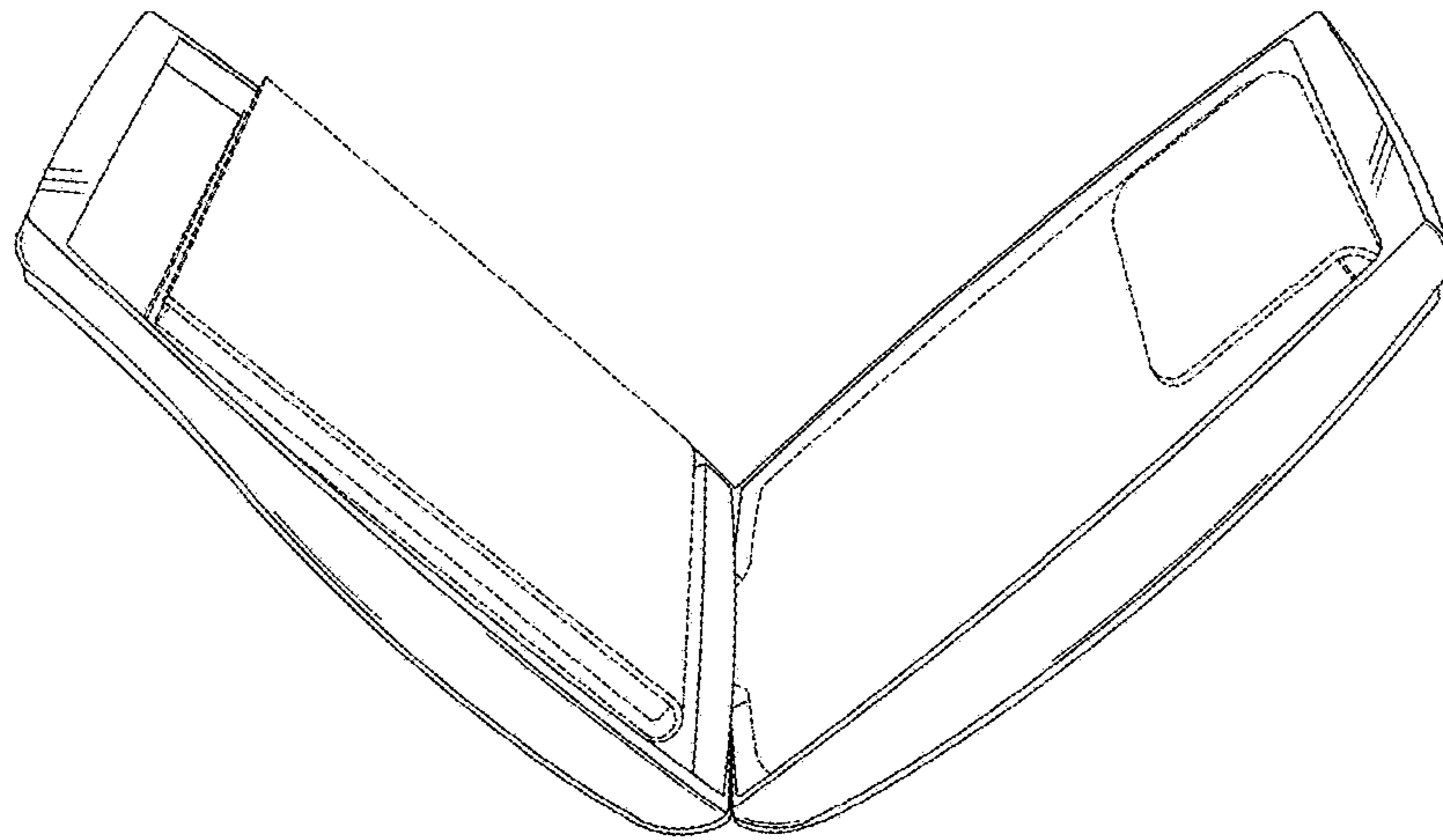


FIG.8