



US00D868458S

(12) **United States Design Patent** (10) **Patent No.:** **US D868,458 S**  
**Monroe et al.** (45) **Date of Patent:** **\*\* Dec. 3, 2019**

- (54) **UTILITY TOTE PANEL INSERT**
- (71) Applicant: **Thirty-One Gifts LLC**, Columbus, OH (US)
- (72) Inventors: **Cynthia M. Monroe**, New Albany, OH (US); **Elizabeth Ann Swartzel**, Columbus, OH (US)
- (73) Assignee: **Thirty-One Gifts LLC**, Columbus, OH (US)
- (\*\*) Term: **15 Years**
- (21) Appl. No.: **29/564,814**
- (22) Filed: **May 16, 2016**

2,507,842 A 5/1950 Waddill  
 2,675,042 A \* 4/1954 Herrera ..... A45C 13/02  
 150/106  
 2,679,877 A 6/1954 Leggett  
 2,697,465 A 12/1954 Johnson  
 3,041,638 A 7/1962 Lo Vico  
 3,533,459 A 10/1970 Ody

(Continued)

*Primary Examiner* — Derrick E Holland  
*Assistant Examiner* — Jennifer O King  
 (74) *Attorney, Agent, or Firm* — Porter, Wright, Morris & Arthur, LLP.

(57) **CLAIM**

The ornamental design for a utility tote panel insert, as shown and described.

**Related U.S. Application Data**

- (60) Division of application No. 29/495,009, filed on Jun. 26, 2014, now Pat. No. Des. 759,372, which is a continuation-in-part of application No. 29/493,802, filed on Jun. 13, 2014, now Pat. No. Des. 752,861.
- (51) **LOC (12) Cl.** ..... **03-01**
- (52) **U.S. Cl.**  
USPC ..... **D3/232**
- (58) **Field of Classification Search**  
USPC ..... D3/232, 233, 240–243, 245–246, 303, D3/310, 315, 318, 319, 900; 150/100, 150/103–110, 113–114, 117–119; D7/605, 607; 383/39, 106, 38; 190/107, 190/901; D6/315  
CPC ..... A45C 1/024; A45C 3/06; A45C 13/02; A45C 7/0054  
See application file for complete search history.

**DESCRIPTION**

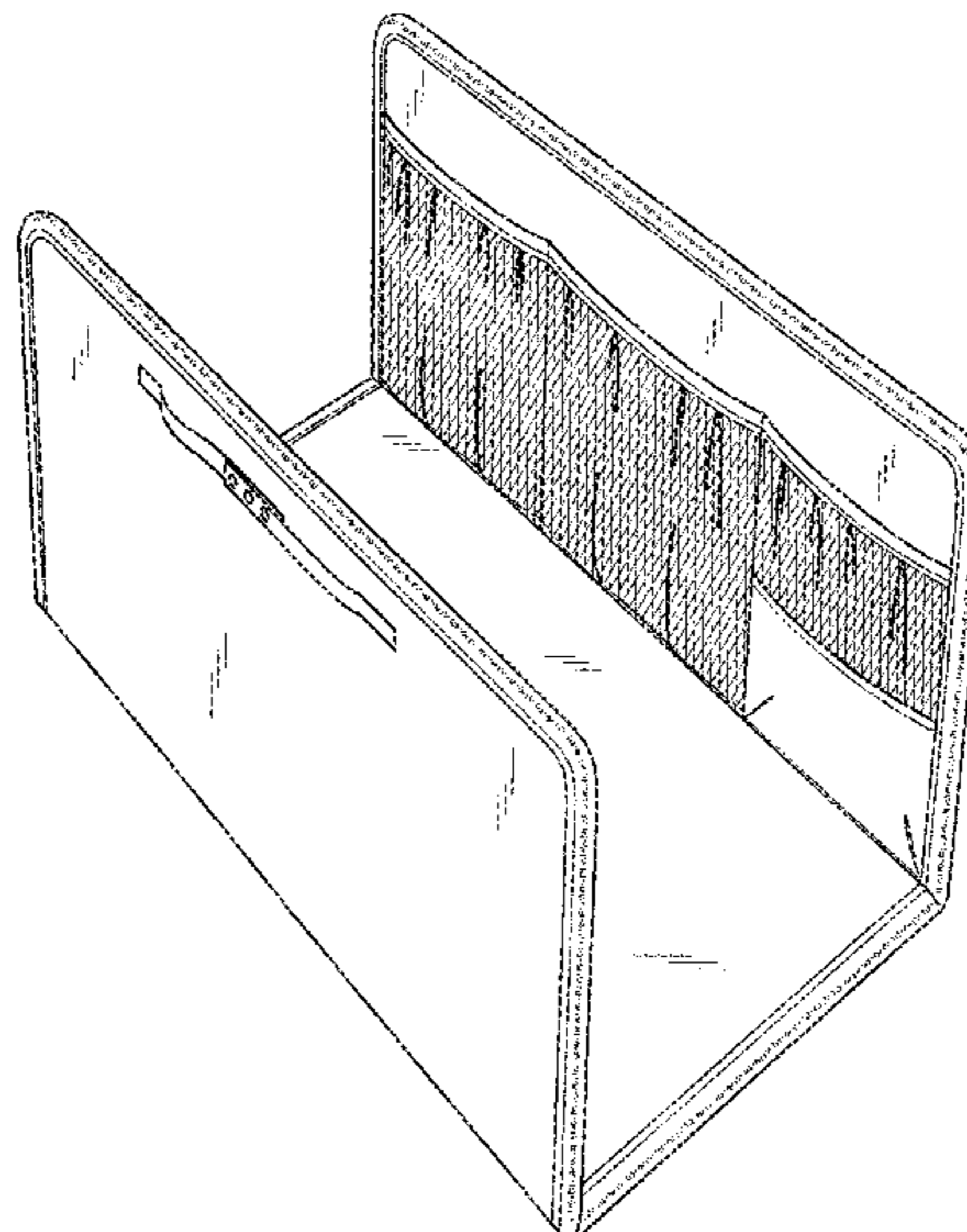
FIG. 1 is a front perspective view of a utility tote panel insert, wherein the utility tote panel insert is in a folded configuration;  
 FIG. 2 is a rear view thereof;  
 FIG. 3 is a front view thereof;  
 FIG. 4 is a top view thereof;  
 FIG. 5 is a bottom view thereof;  
 FIG. 6 is a left-side view thereof;  
 FIG. 7 is a right-side view thereof;  
 FIG. 8 is a top perspective view of the utility tote panel insert of FIGS. 1 to 7, but wherein the utility tote panel insert is in a flat or unfolded configuration;  
 FIG. 9 is a bottom perspective view thereof;  
 FIG. 10 is a top view thereof;  
 FIG. 11 is a bottom view thereof;  
 FIG. 12 is a rear view thereof;  
 FIG. 13 is a front view thereof; and,  
 FIG. 14 is a left-side view thereof, the right side view being a mirror image thereof.  
 The broken lines in the figures indicate stitching and form a part of the claimed design.

(56) **References Cited**

**U.S. PATENT DOCUMENTS**

- 954,840 A 4/1910 Wiedemann
- 1,559,046 A 10/1925 McLeran
- 1,684,232 A 9/1928 Levit

**1 Claim, 8 Drawing Sheets**



(56)

References Cited

U.S. PATENT DOCUMENTS

3,550,663 A 12/1970 Johnston  
 3,777,862 A 12/1973 Zipper  
 3,994,372 A 11/1976 Geller  
 4,101,994 A 7/1978 Hoyt  
 D252,596 S 8/1979 Adler  
 4,188,988 A 2/1980 Agyagos  
 4,535,878 A 8/1985 Grahl  
 4,716,947 A 1/1988 Haddock  
 D328,522 S 8/1992 Buck  
 D334,661 S 4/1993 Kohn  
 D347,115 S 5/1994 Breedlove  
 D354,399 S 1/1995 Tucker  
 D388,250 S 12/1997 Robinson et al.  
 5,692,604 A 12/1997 Houk  
 5,779,033 A 7/1998 Roegner  
 D397,871 S 9/1998 Bellechilli  
 D408,146 S 4/1999 Briganti  
 5,911,463 A 6/1999 Fesko  
 5,918,711 A 7/1999 Godshaw  
 D420,510 S 2/2000 Rotan  
 D422,411 S 4/2000 Martin  
 6,129,210 A 10/2000 Rustemeyer  
 6,296,094 B1 10/2001 Knecht  
 6,341,894 B1 1/2002 Quinines  
 D456,517 S 4/2002 Kraska  
 D460,622 S 7/2002 Wong  
 D476,150 S 6/2003 Stulman  
 D491,354 S 6/2004 Chapelier  
 6,874,624 B2 4/2005 Redzisz  
 6,948,599 B2 9/2005 Rodrigue et al.  
 6,994,050 B2 2/2006 Johnson et al.  
 7,028,870 B2 4/2006 Valdez-Campbell  
 D535,820 S 1/2007 Kamiya  
 D569,610 S 5/2008 Wang  
 D572,006 S 7/2008 Preston et al.  
 D572,472 S 7/2008 Saconay-Duhart  
 D587,010 S 2/2009 Deck  
 7,543,701 B2 6/2009 Suda  
 D595,957 S \* 7/2009 Meyers ..... D3/232  
 D596,396 S 7/2009 McCoy

D593,752 S 9/2009 da Natale  
 D600,918 S 9/2009 Carlevale  
 D603,606 S 11/2009 Wang  
 D609,473 S \* 2/2010 Boonma ..... D3/318  
 D630,013 S 1/2011 Yu  
 D630,844 S 1/2011 Wang  
 7,896,152 B1 3/2011 Bruhl  
 D637,809 S 5/2011 Meldeau  
 D641,549 S 7/2011 Caldwell  
 8,225,829 B2 \* 7/2012 Melamed ..... A45C 1/024  
 150/113  
 D669,683 S 10/2012 Caperon  
 8,312,568 B2 11/2012 Marois  
 D679,091 S 4/2013 Zidlick  
 D683,137 S 5/2013 Davis  
 D688,449 S 8/2013 Schinasi  
 D702,043 S 4/2014 Johnson et al.  
 D711,096 S 8/2014 Hanna  
 D713,644 S 9/2014 Johnson et al.  
 D717,040 S 11/2014 Swartzel  
 D720,537 S 1/2015 Jones  
 D723,278 S 3/2015 Van Migem  
 D732,294 S \* 6/2015 Hu ..... D3/319  
 D732,829 S \* 6/2015 Johnson ..... D3/318  
 D733,432 S \* 7/2015 Johnson ..... D3/318  
 D736,521 S 8/2015 Tarter  
 D744,235 S 12/2015 Eskandry  
 D768,989 S \* 10/2016 Johnson ..... D3/319  
 9,480,317 B2 \* 11/2016 Rothschild ..... A45C 7/0054  
 9,527,626 B1 \* 12/2016 Coronado ..... A45C 7/0036  
 9,565,914 B1 \* 2/2017 Marraccini ..... A45C 13/02  
 D784,020 S \* 4/2017 Kutting ..... D3/319  
 9,615,642 B2 \* 4/2017 Bergh ..... A45C 11/38  
 D785,335 S \* 5/2017 Halliday ..... D3/319  
 D792,090 S \* 7/2017 Chandra ..... D3/232  
 D798,055 S \* 9/2017 Duzoglou ..... D3/303  
 D815,437 S \* 4/2018 Wright ..... D3/319  
 2003/0164216 A1 \* 9/2003 Starr ..... A45C 3/08  
 150/105  
 2008/0156604 A1 \* 7/2008 Franco ..... A45C 7/0095  
 190/1  
 2013/0201666 A1 8/2013 Melamed

\* cited by examiner

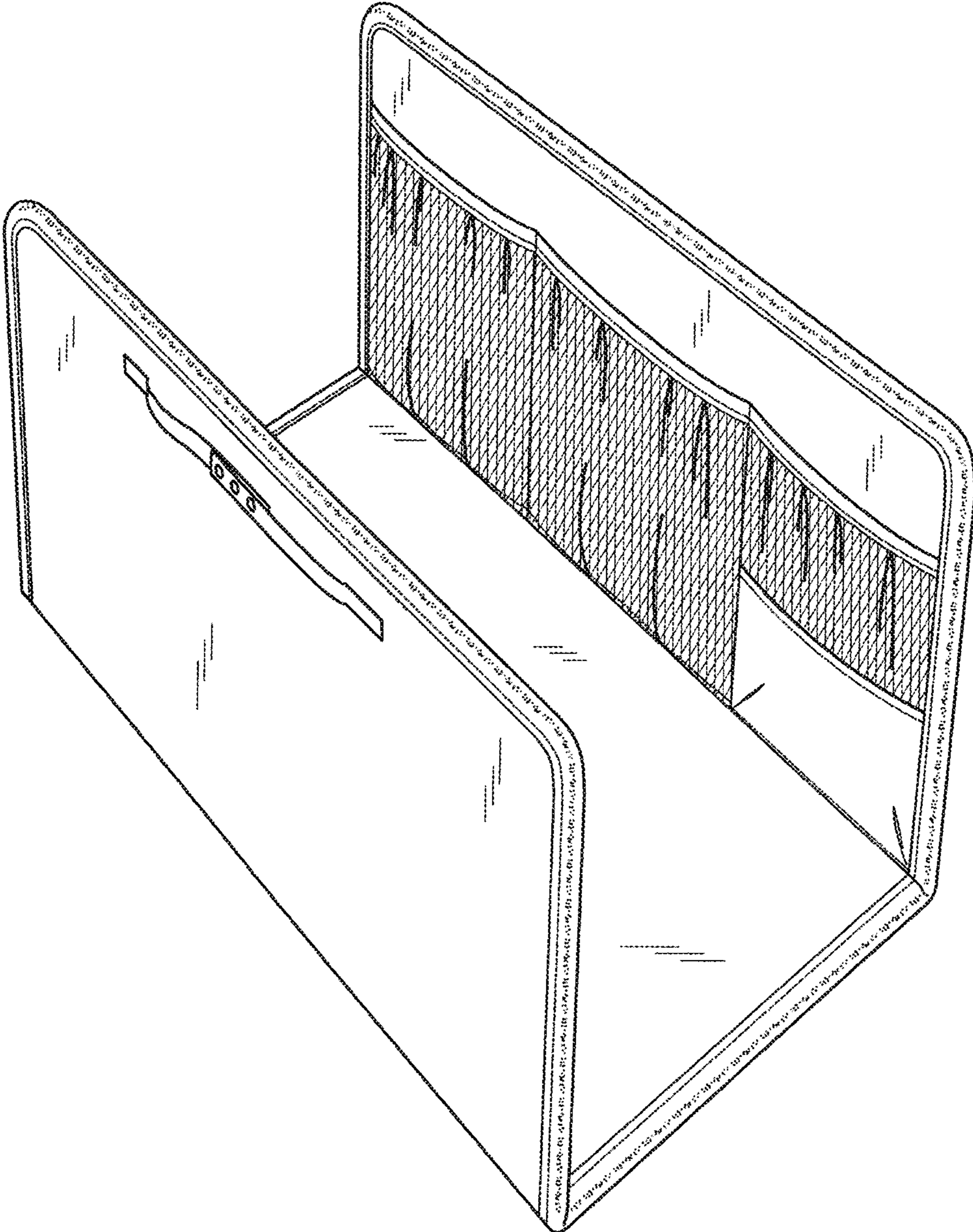


FIG. 1

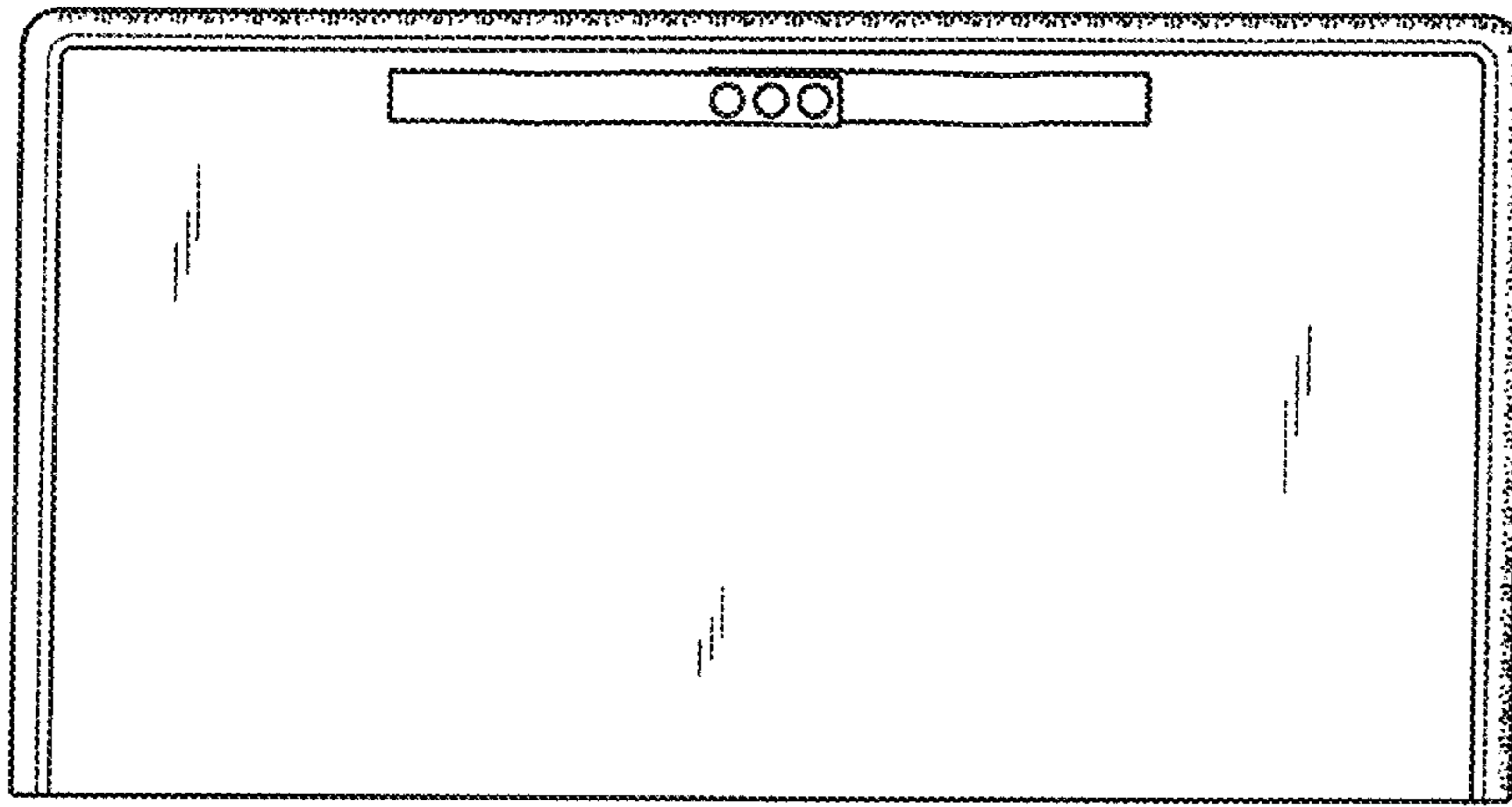


FIG. 2

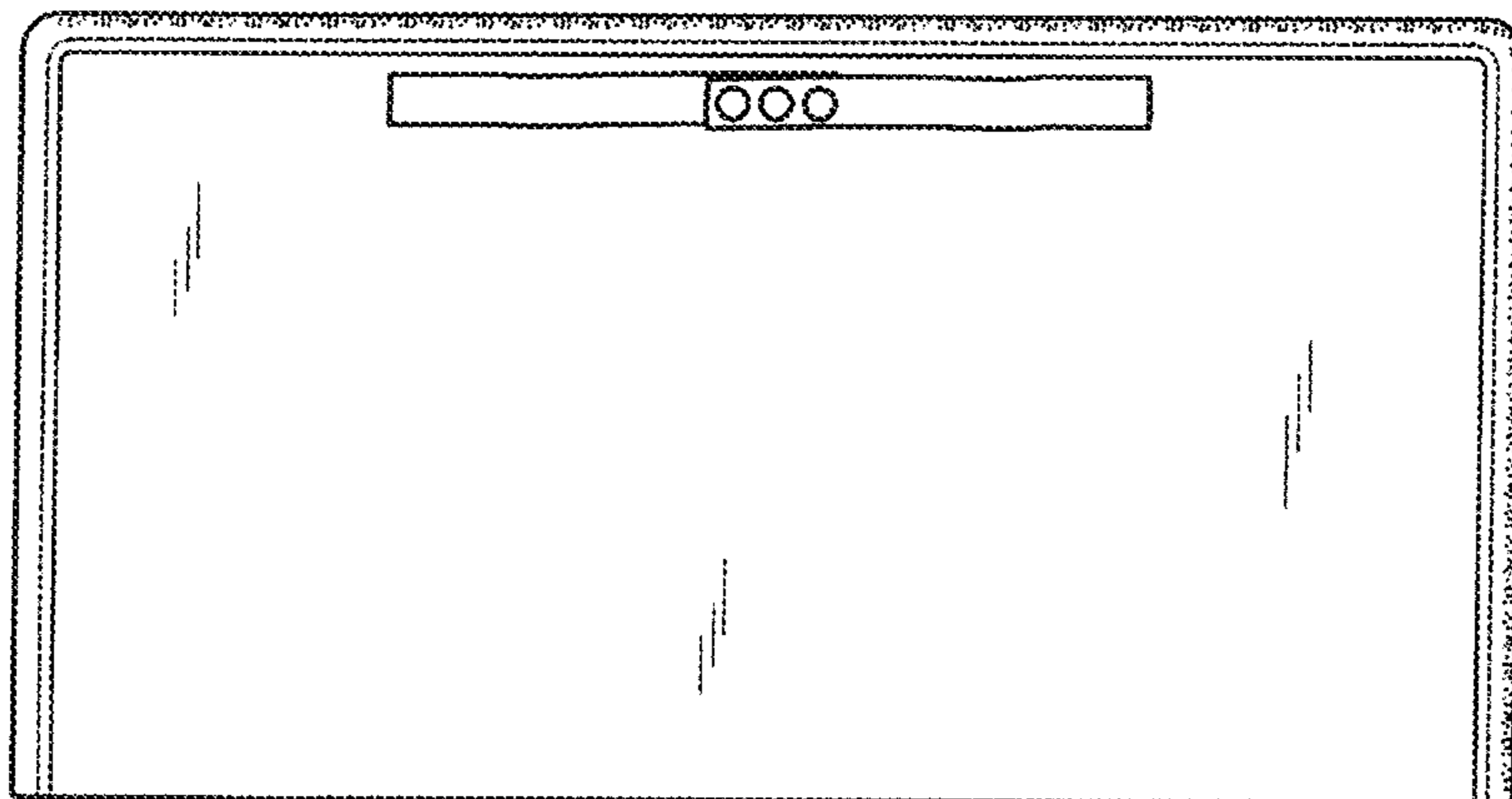


FIG. 3

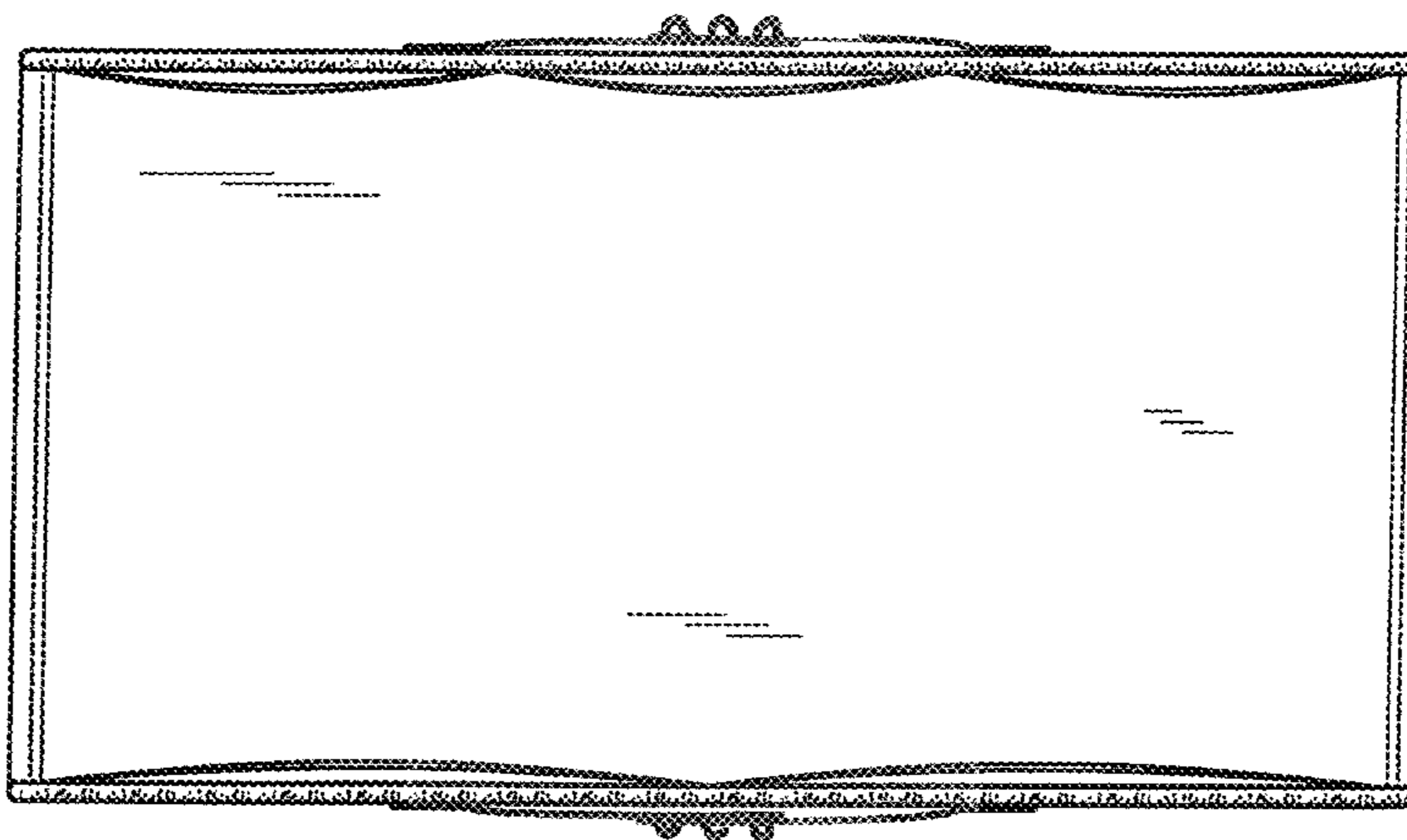


FIG. 4

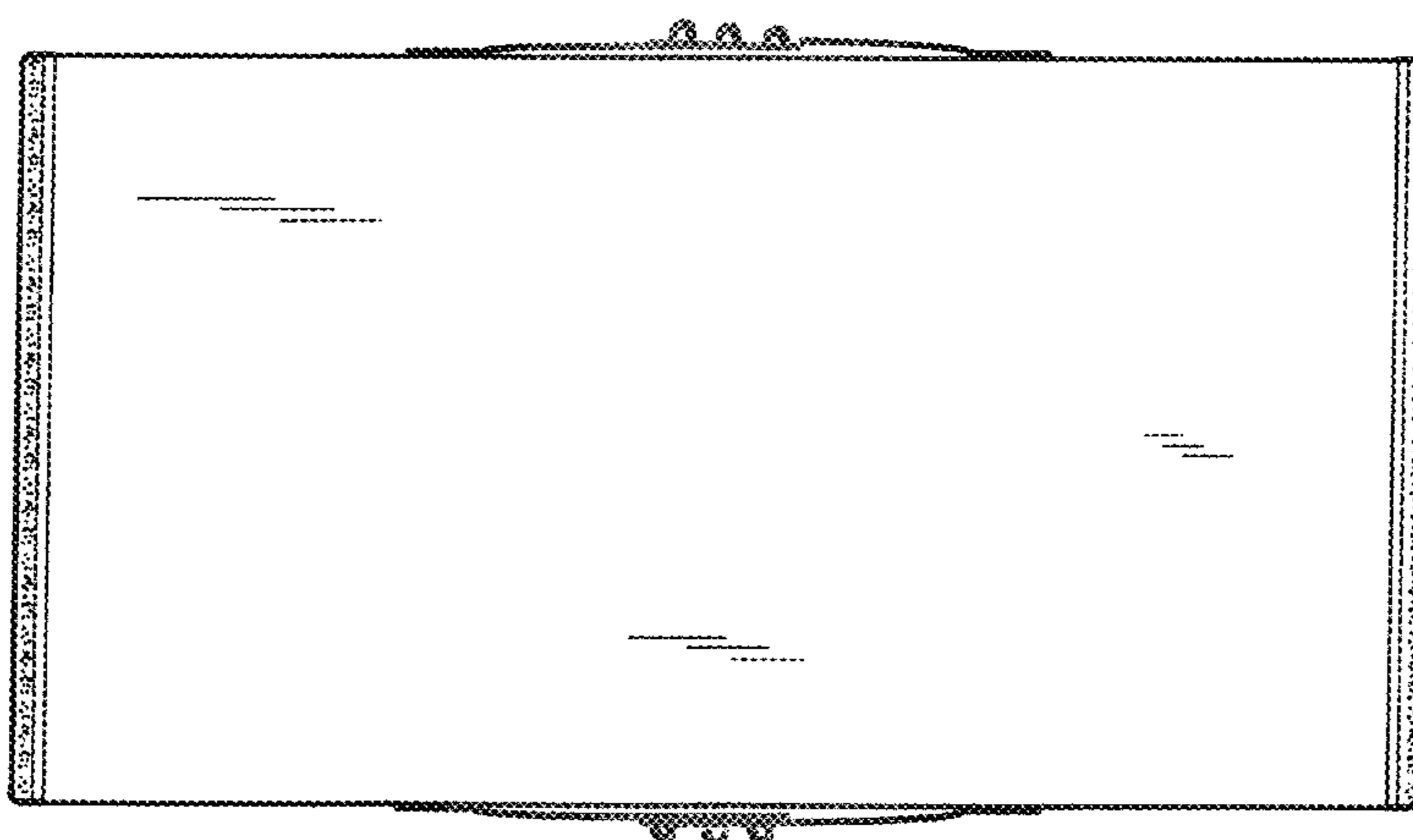


FIG. 5

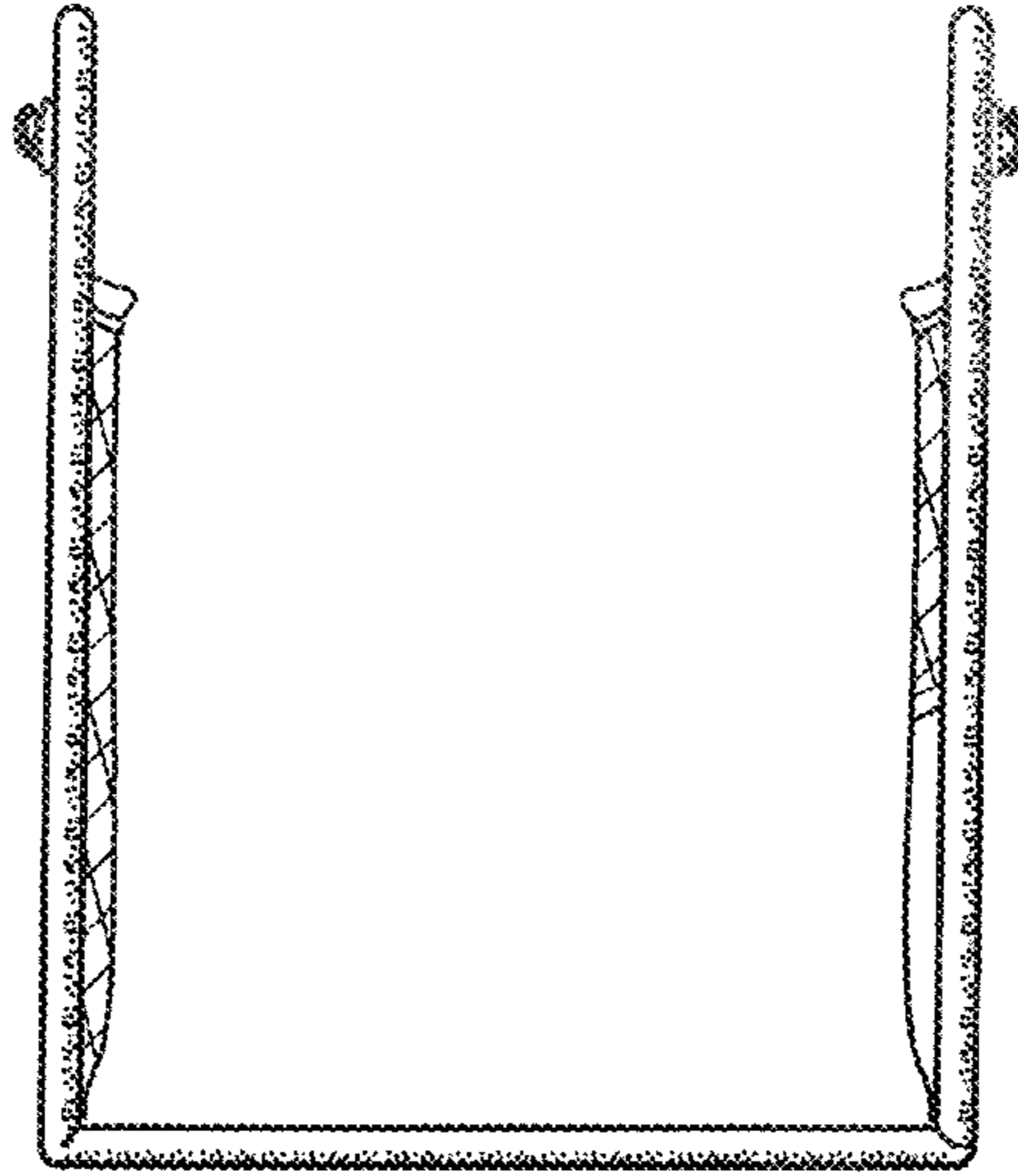


FIG. 6

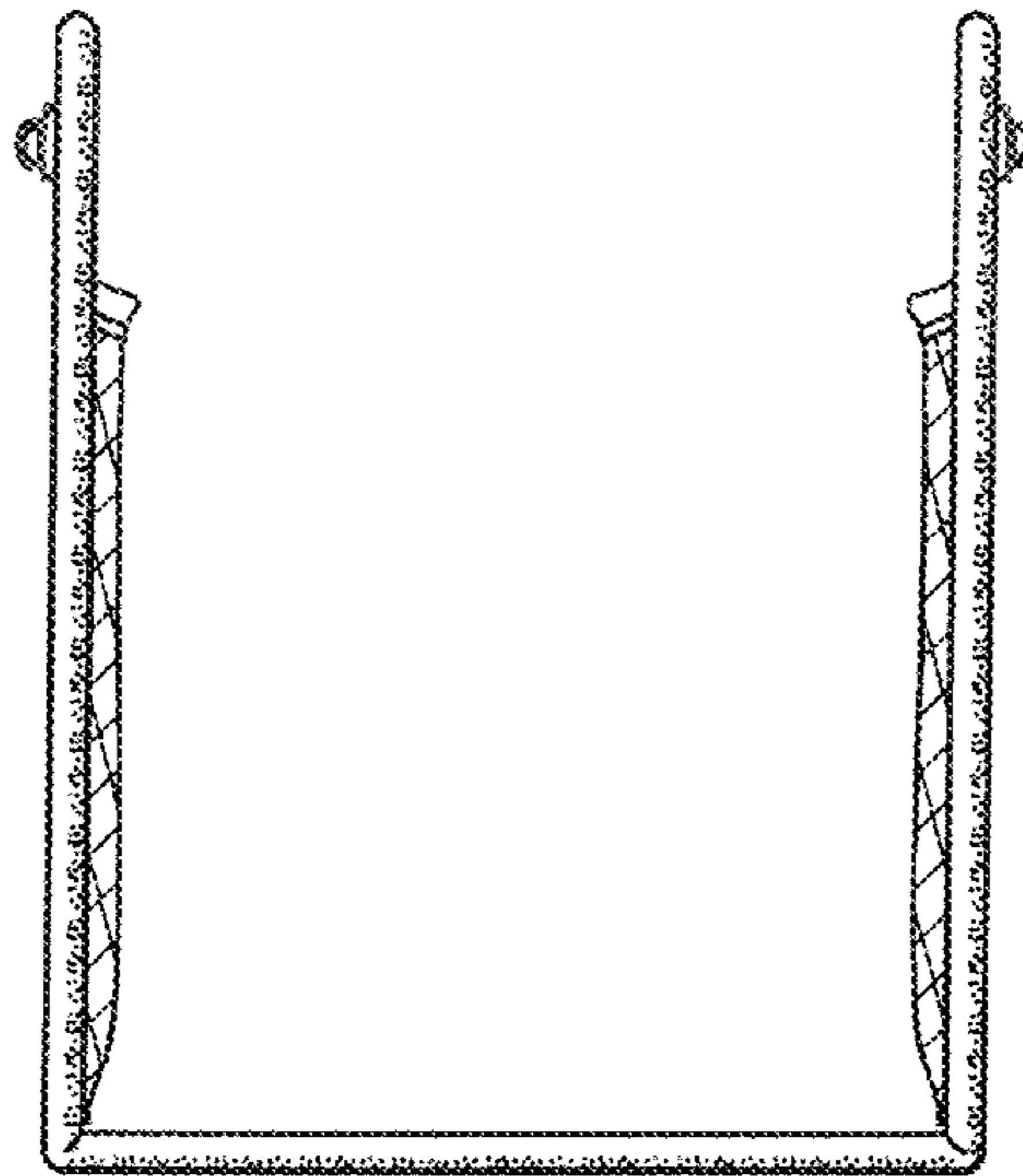


FIG. 7

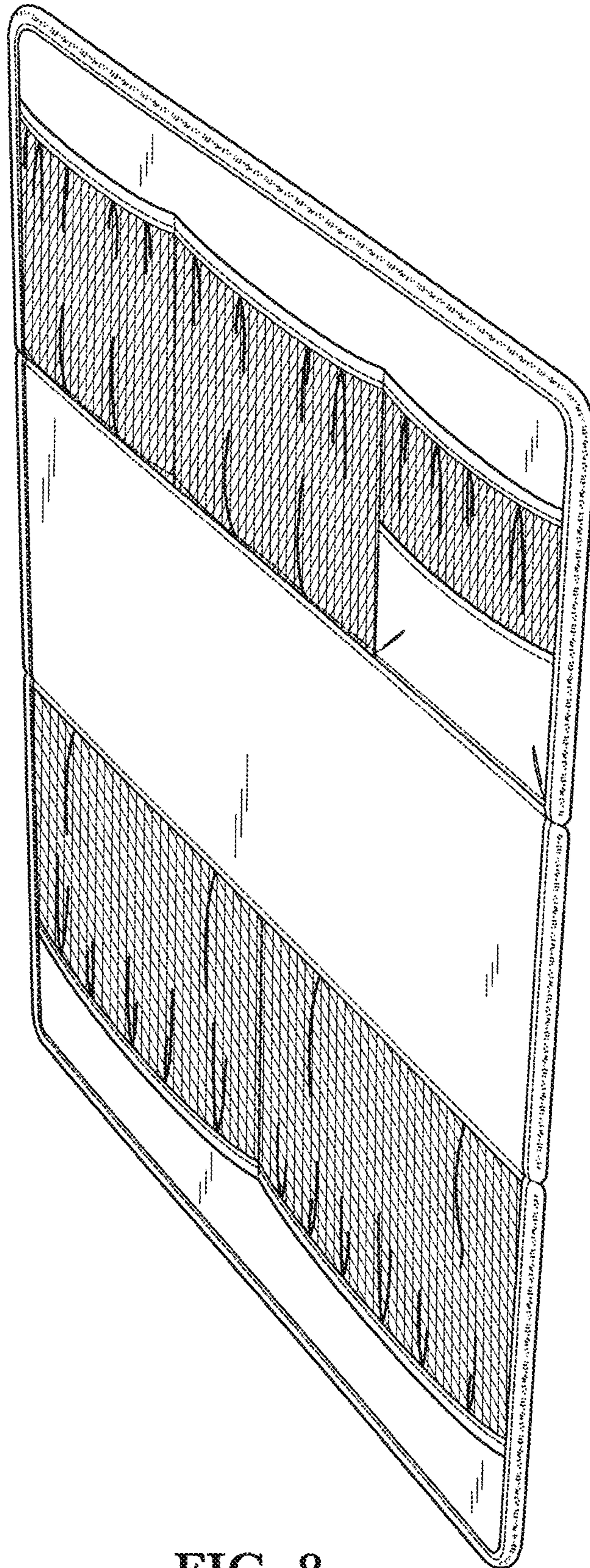


FIG. 8

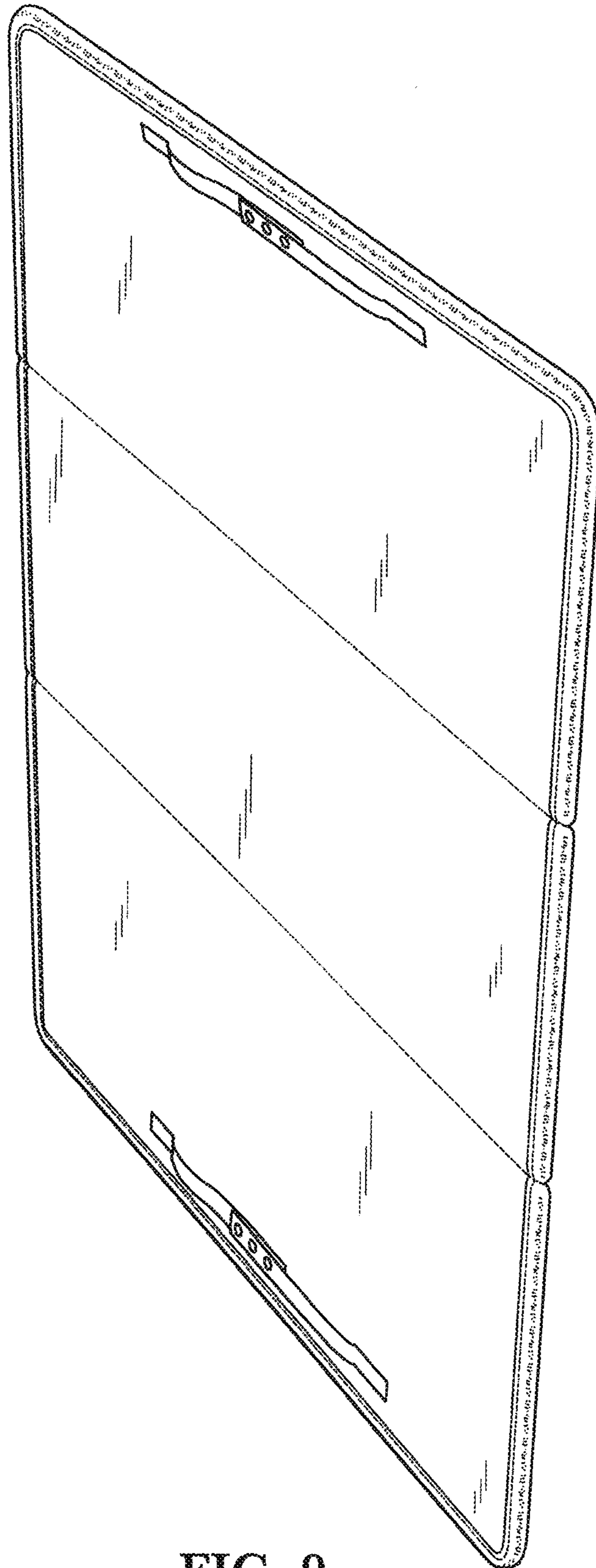


FIG. 9



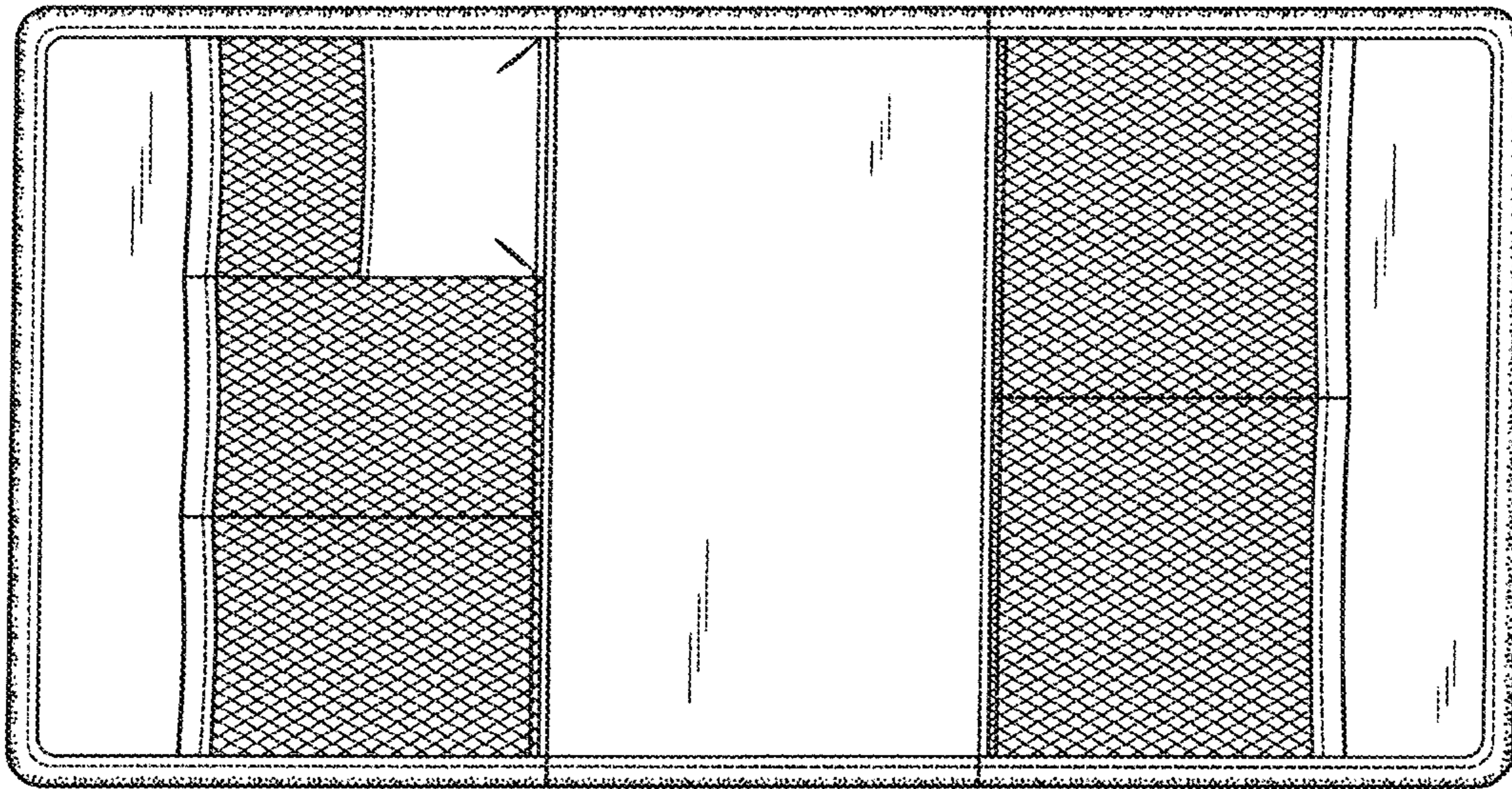


FIG. 10

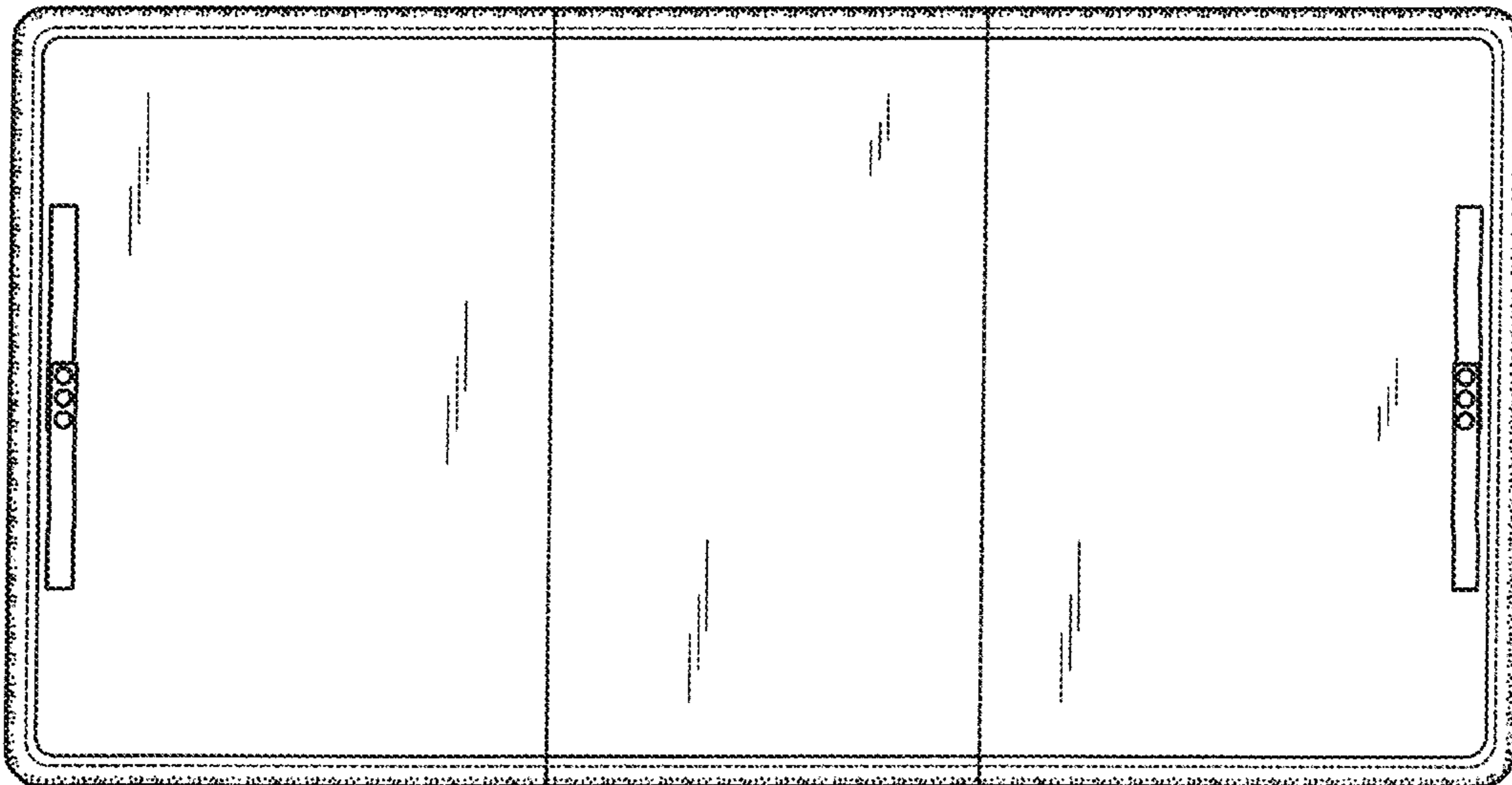


FIG. 11



FIG. 12



FIG. 13

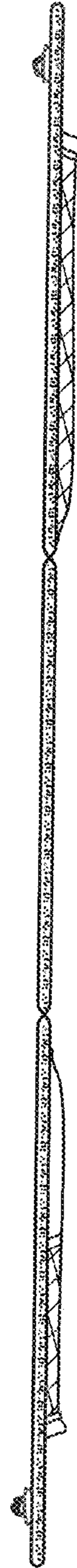


FIG. 14