



US00D868457S

(12) **United States Design Patent** (10) **Patent No.:** **US D868,457 S**
Hagerman (45) **Date of Patent:** **** Dec. 3, 2019**

- (54) **PET ACCESSORY POUCH**
- (71) Applicant: **Lowcountry Pet Specialties LLC**,
Johns Island, SC (US)
- (72) Inventor: **Johnny E. Hagerman**, Johns Island,
SC (US)
- (73) Assignee: **Lowcountry Pet Specialties LLC**,
Johns Island, SC (US)
- (**) Term: **15 Years**
- (21) Appl. No.: **29/658,876**
- (22) Filed: **Aug. 3, 2018**
- (51) **LOC (12) Cl.** **03-01**
- (52) **U.S. Cl.**
USPC **D3/226**
- (58) **Field of Classification Search**
USPC D3/215, 224, 225-226; 224/148.4, 191,
224/240-241, 668, 679, 905; 119/795
CPC A45C 1/04; A45F 5/00; A45F 5/02; A45F
5/021; A01K 97/06
See application file for complete search history.

- D583,549 S * 12/2008 Schuyler D3/228
- D617,550 S * 6/2010 Rudolph D3/226
- D844,980 S * 4/2019 Burkett D3/226
- 2006/0118587 A1* 6/2006 Rees A45F 5/02
224/666
- 2012/0152989 A1* 6/2012 Draper A45C 1/04
224/191

* cited by examiner

Primary Examiner — Catherine R Oliver-Garcia
 (74) *Attorney, Agent, or Firm* — Thrive IP®; Jeremy M. Stipkala

(57) **CLAIM**

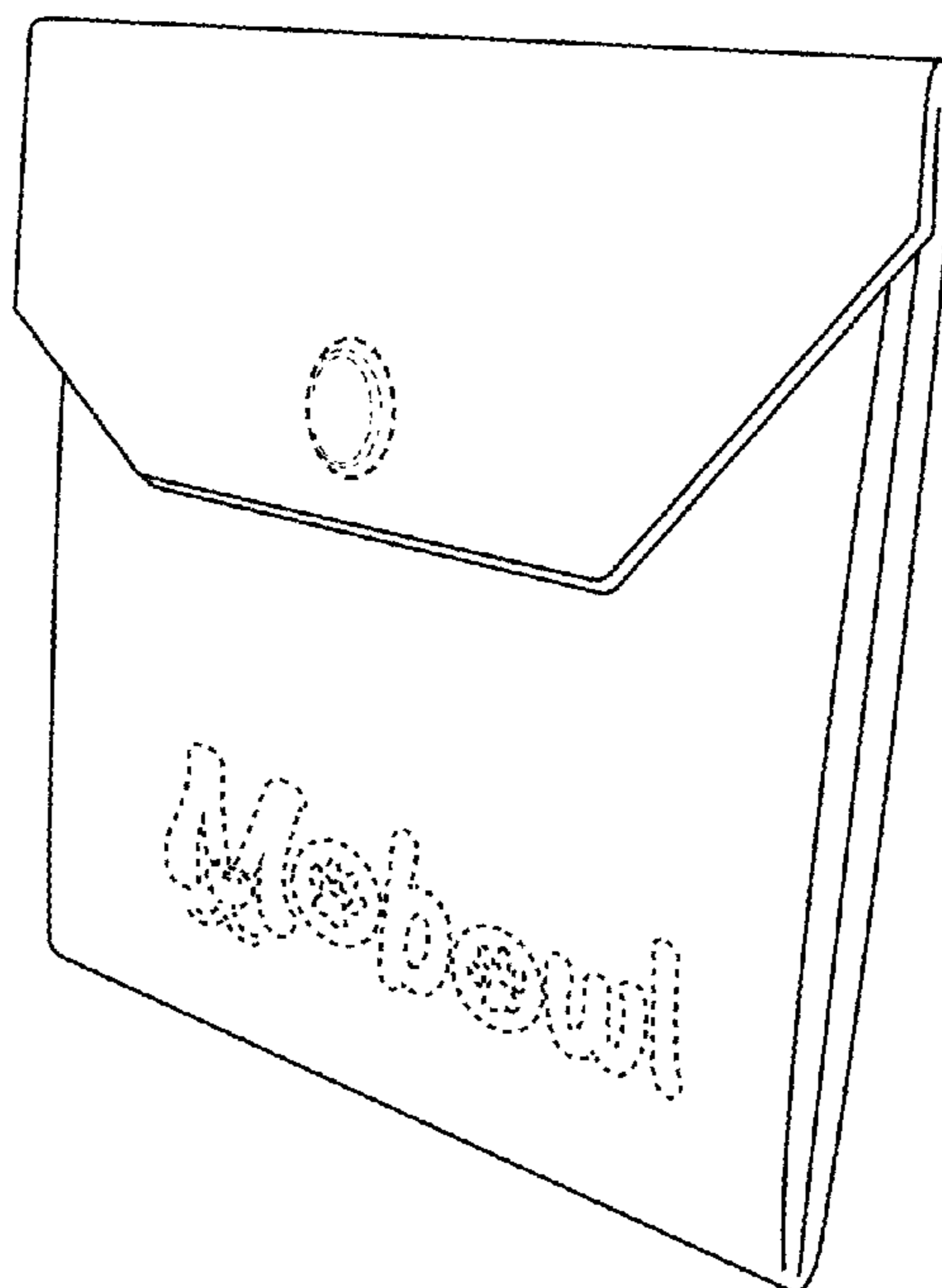
The ornamental design for a pet accessory pouch, as shown and described.

DESCRIPTION

FIG. 1 is a front and side perspective view of a pet accessory pouch having its flap in a closed position;
 FIG. 2 is a front and side perspective view thereof, having its flap in an open position;
 FIG. 3 is a front elevation view thereof;
 FIG. 4 is a back elevation view thereof;
 FIG. 5 is a right side elevation view thereof;
 FIG. 6 is a left side elevation view thereof;
 FIG. 7 is a top plan view thereof; and,
 FIG. 8 is a bottom plan view thereof.
 The features shown in broken lines represent environmental subject matter that are for illustrative purposes only and form no part of the claimed design.

1 Claim, 7 Drawing Sheets

- (56) **References Cited**
 U.S. PATENT DOCUMENTS
 D509,057 S * 9/2005 Bollig D3/226
 D531,401 S * 11/2006 Thurner D3/228
 D535,817 S * 1/2007 Perez D3/226



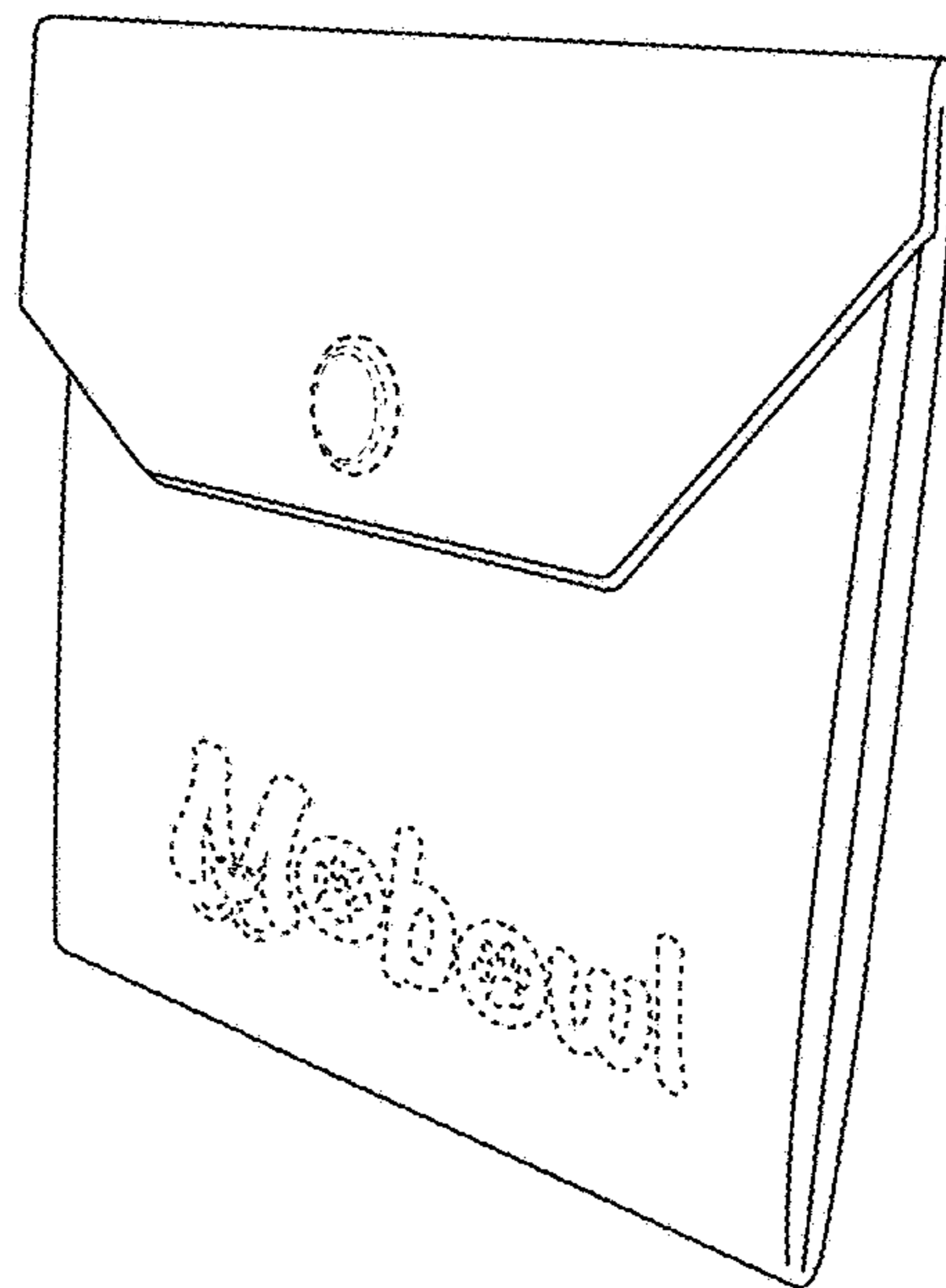


FIG. 1

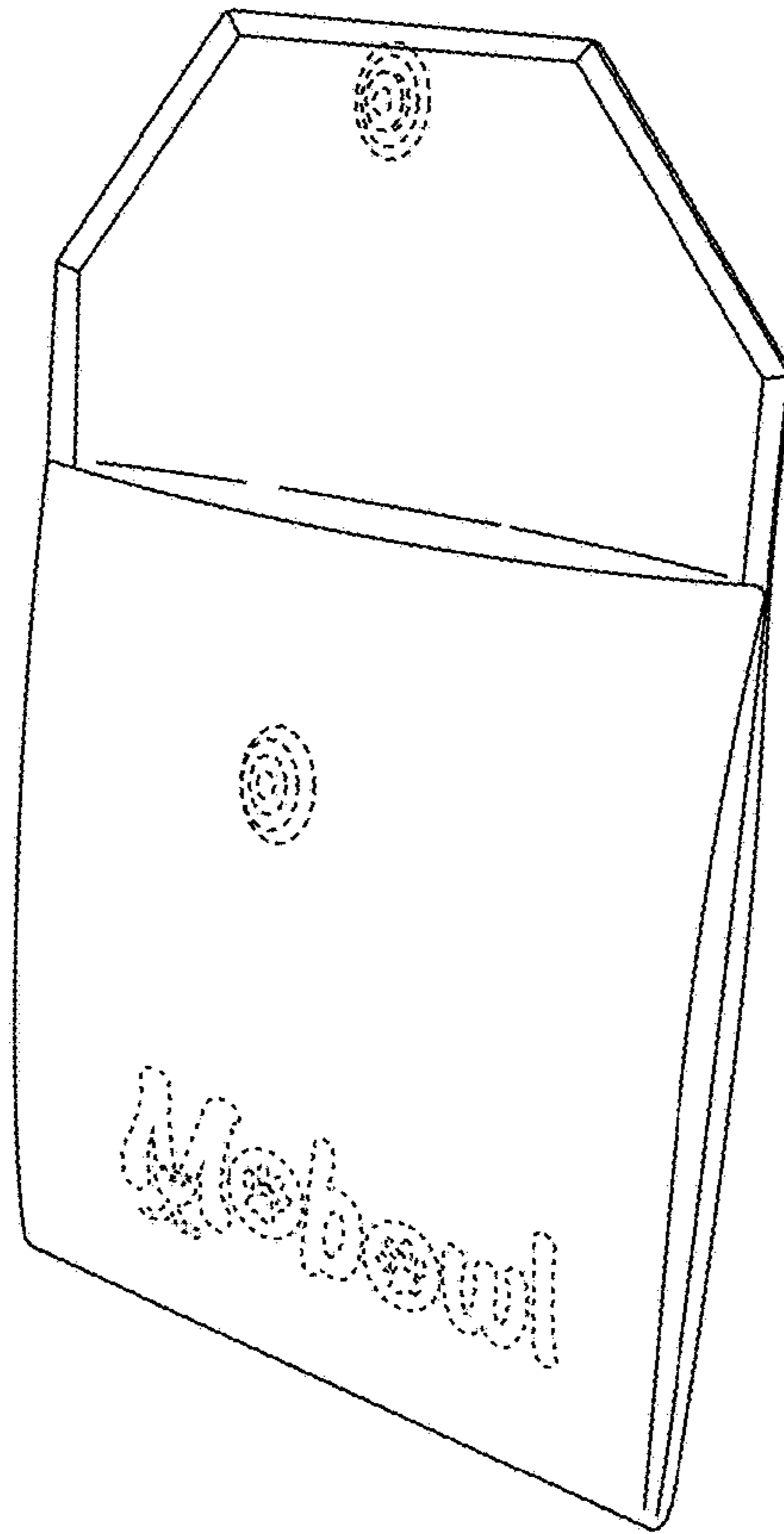


FIG. 2

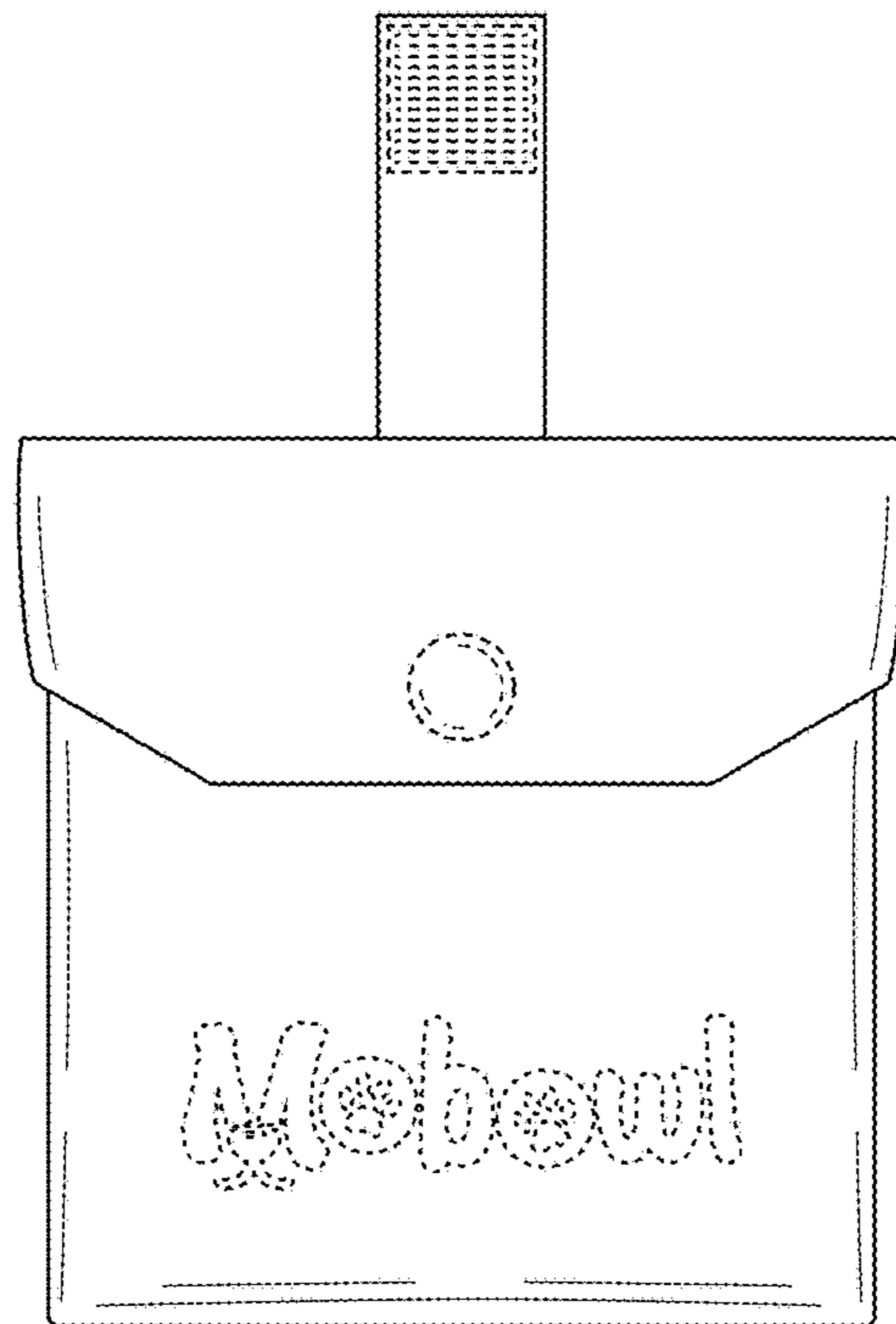


FIG. 3

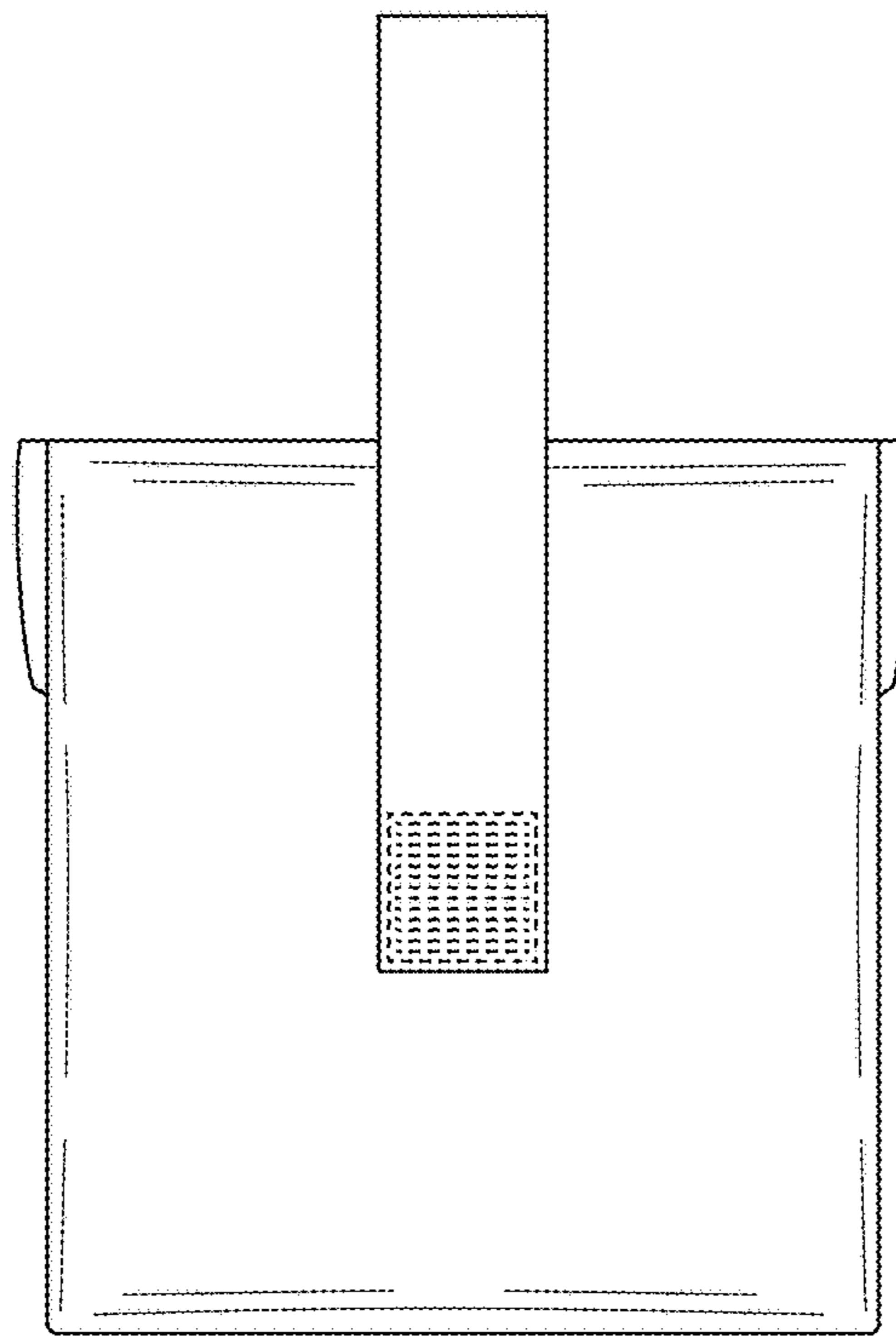


FIG. 4



FIG. 5

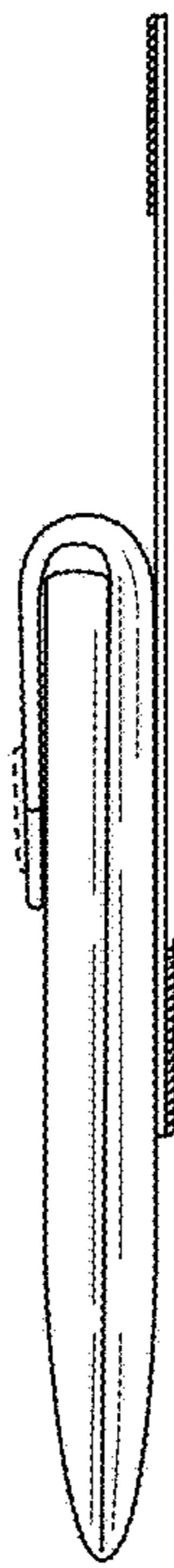


FIG. 6

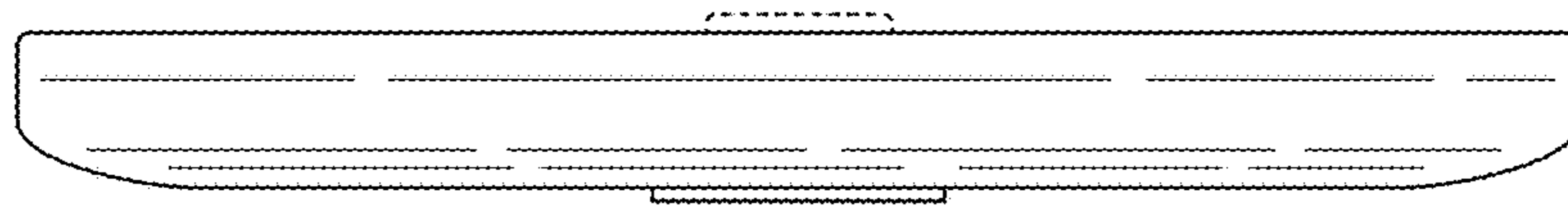


FIG. 7



FIG. 8