



US00D868456S

(12) **United States Design Patent** (10) **Patent No.:** **US D868,456 S**
Alexander (45) **Date of Patent:** **** Dec. 3, 2019**

(54) **HAIRSTYLIST UTILITY BELT HOLSTER**

OTHER PUBLICATIONS

(71) Applicant: **LeAna Alexander**, Sherman Oaks, CA (US)

Wish.com, Salon Barber Scissors Bag Scissor Clips Shears Shear Bags Tool Hairdressing Holster Pouch Holder Case Belt, date unknown.*

(72) Inventor: **LeAna Alexander**, Sherman Oaks, CA (US)

Primary Examiner — Catherine R Oliver-Garcia
(74) *Attorney, Agent, or Firm* — Quickpatents, LLC; Kevin Prince

(**) Term: **15 Years**

(21) Appl. No.: **29/665,333**

(57) **CLAIM**

(22) Filed: **Oct. 2, 2018**

I claim the ornamental design for a hairstylist utility belt holster, as shown and described.

(51) **LOC (12) Cl.** **03-01**

DESCRIPTION

(52) **U.S. Cl.**

USPC **D3/224**

(58) **Field of Classification Search**

USPC D3/215, 221, 224, 226, 228, 229; D28/73, 38; 224/148.3, 148.5, 148.6, 224/148.7, 223, 240, 245, 250, 605, 627, 224/642, 665, 673, 663, 684, 904, 931
CPC A45C 5/00; A45C 5/0007; A45C 7/0086; A45C 11/00; A45C 13/00; A45C 13/06; A45F 3/08; A45F 3/16; A45F 2011/002; A45F 5/021; A45F 2200/0575; F16B 2001/0035; F42B 35/02; F42B 39/02
See application file for complete search history.

FIG. 1 is a front and right side perspective view of a hairstylist utility belt holster showing my new design in use; FIG. 2 is a front and right side perspective view thereof; FIG. 3 is a front elevational view of FIG. 2, illustrated with a belt portion in a flat configuration; FIG. 4 is a rear elevational view of FIG. 3; FIG. 5 is a left-side elevational view of FIG. 3; FIG. 6 is a right-side elevational view of FIG. 3; FIG. 7 is a top plan view of FIG. 3; FIG. 8 is a bottom plan view of FIG. 3; FIG. 9 is an exploded perspective view thereof; FIG. 10 is an exploded front elevational view thereof; FIG. 11 is an exploded rear elevational view thereof; FIG. 12 is an exploded left-side elevational view thereof; FIG. 13 is an exploded right-side elevational view thereof; FIG. 14 is an exploded top plan view thereof; and, FIG. 15 is an exploded bottom plan view thereof.

(56) **References Cited**

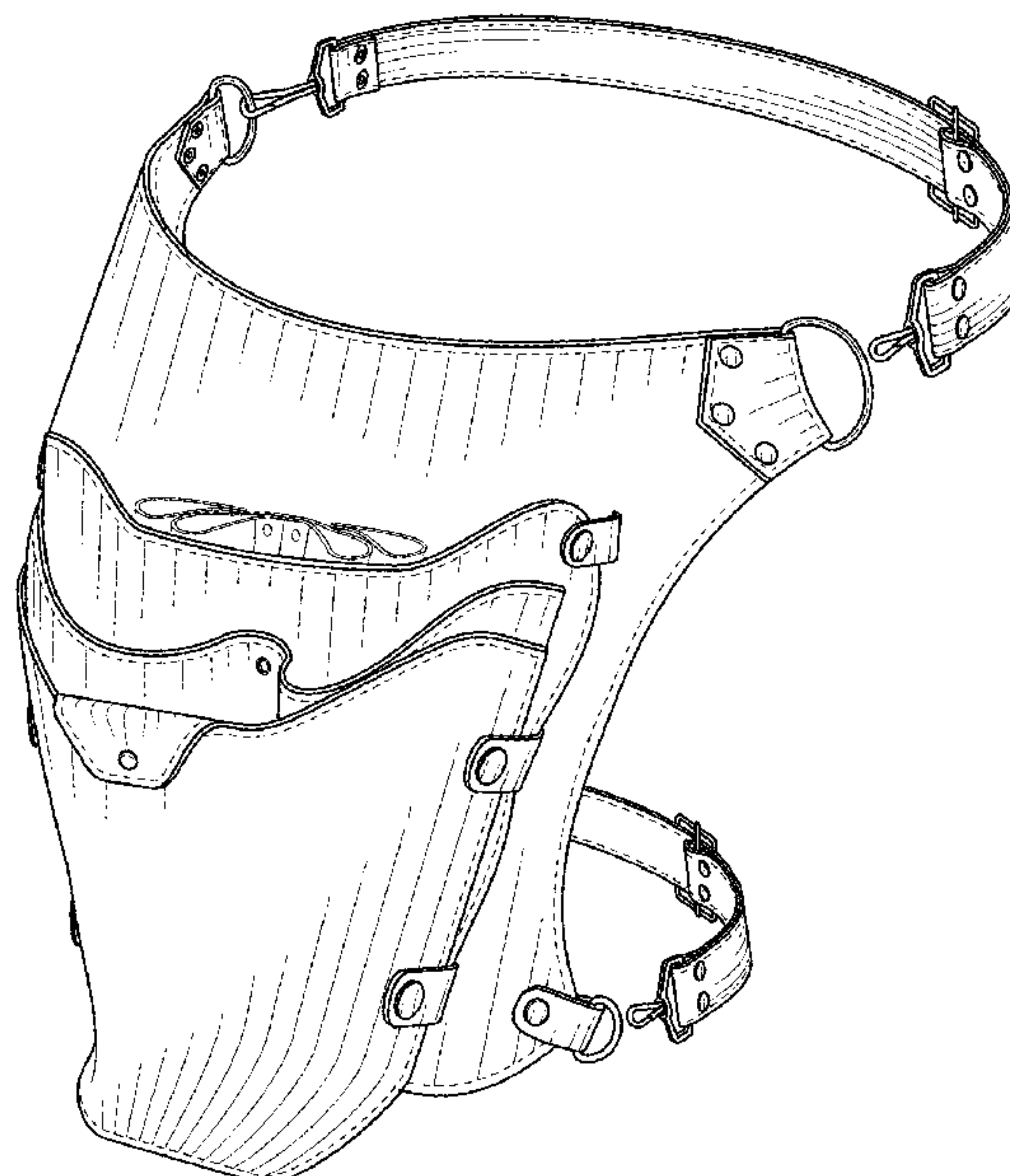
U.S. PATENT DOCUMENTS

D254,759 S * 4/1980 Rodstein 224/904
4,449,654 A * 5/1984 Cappis A45F 3/16
224/148.3
4,867,360 A * 9/1989 Howard A47L 13/51
224/245
7,100,810 B1 * 9/2006 Bosch F42B 39/02
224/196
D747,553 S * 1/2016 Osweiler D28/38
D759,961 S * 6/2016 Ma D3/226

The broken lines showing a person and hair care supplies in FIG. 1 depict environmental matter and form no part of the claimed design. The dot-dash broken lines in FIGS. 7 and 14 depict portions of the hairstylist utility belt holster that form no part of the claimed design. The remaining broken lines represent stitching, and are part of the claimed design.

(Continued)

1 Claim, 11 Drawing Sheets



(56)

References Cited

U.S. PATENT DOCUMENTS

D768,934 S * 10/2016 Osweiler D28/38
2018/0310674 A1 * 11/2018 Teal A44C 5/0007

* cited by examiner

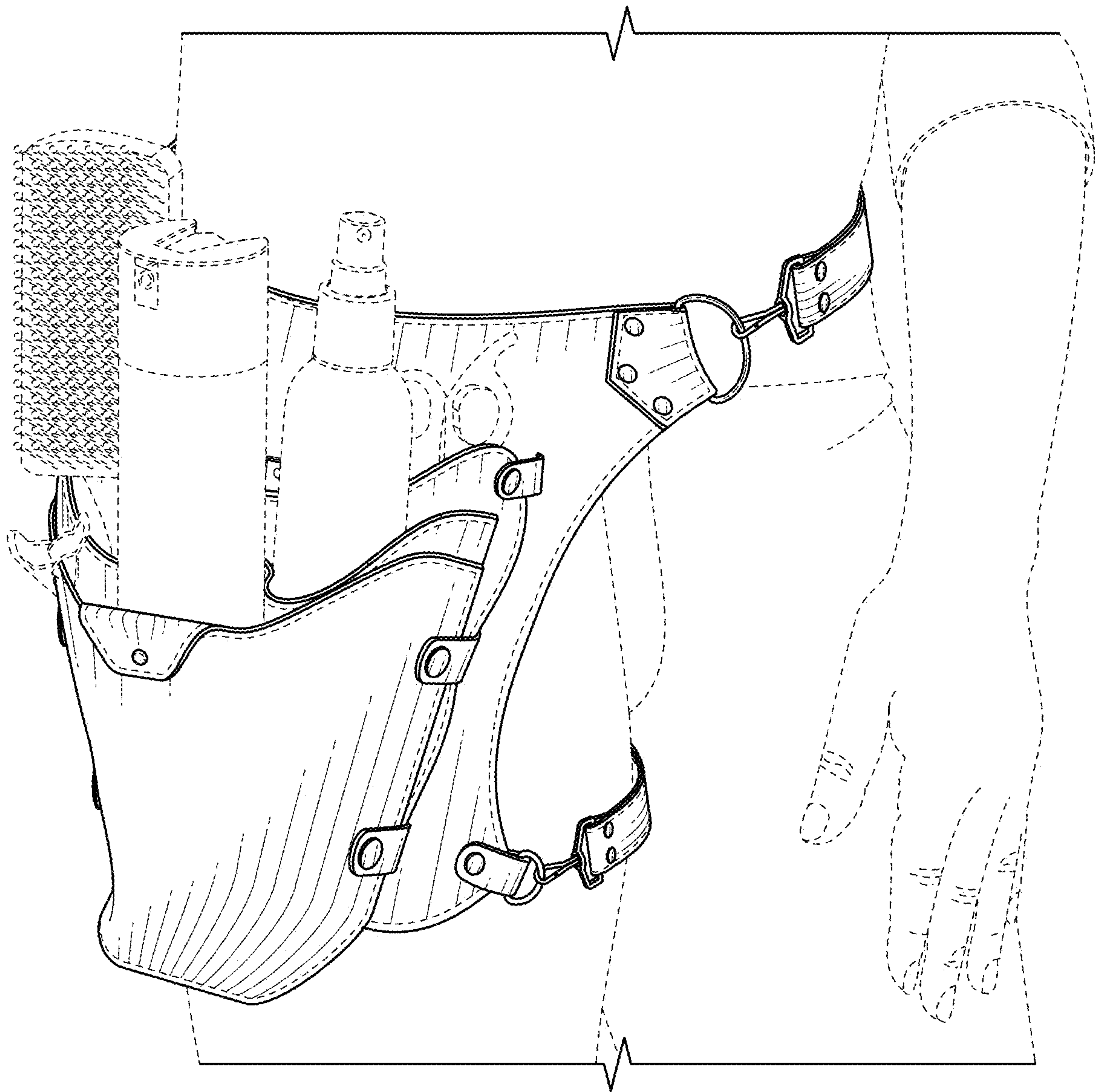


FIG. 1

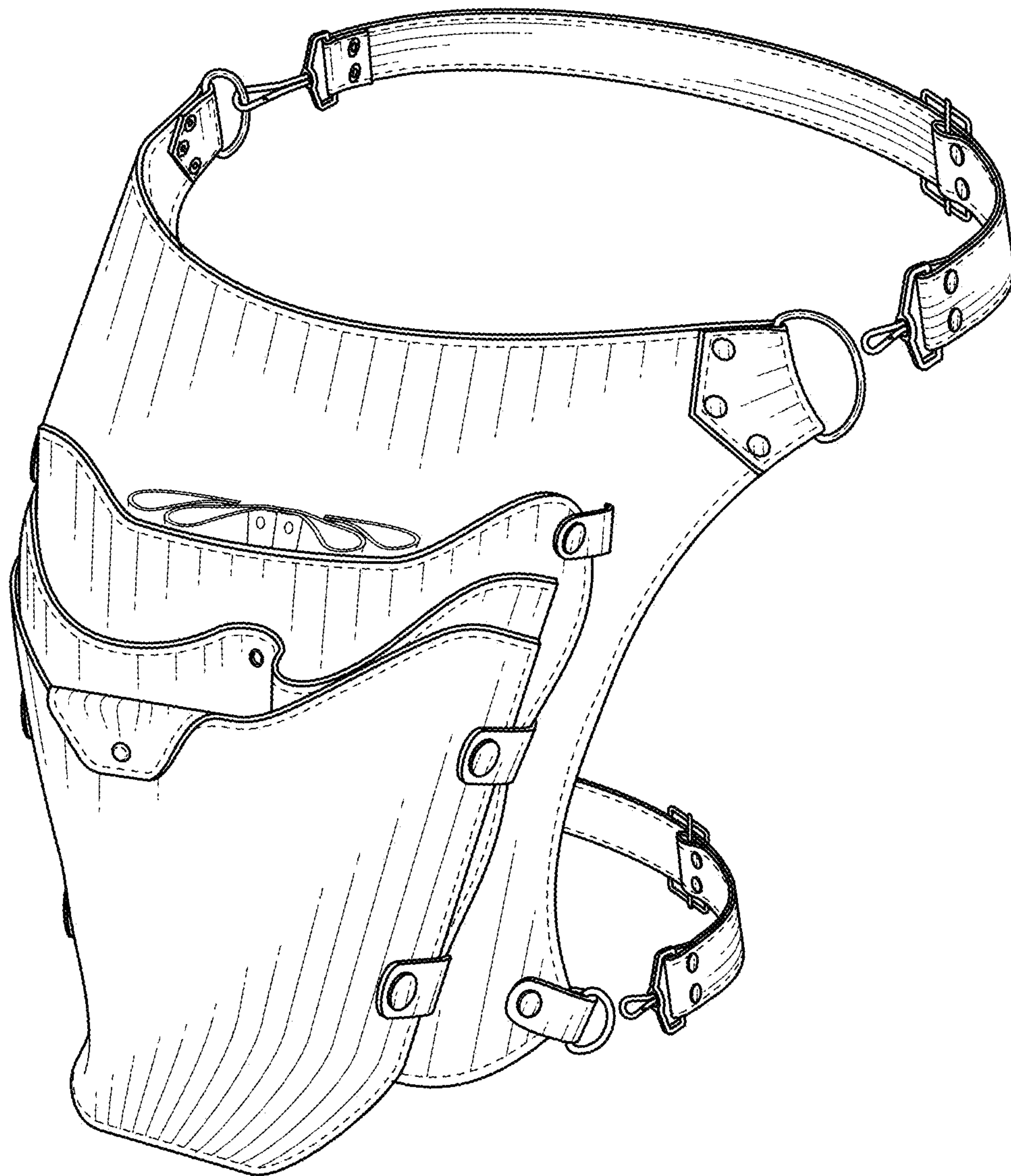


FIG. 2

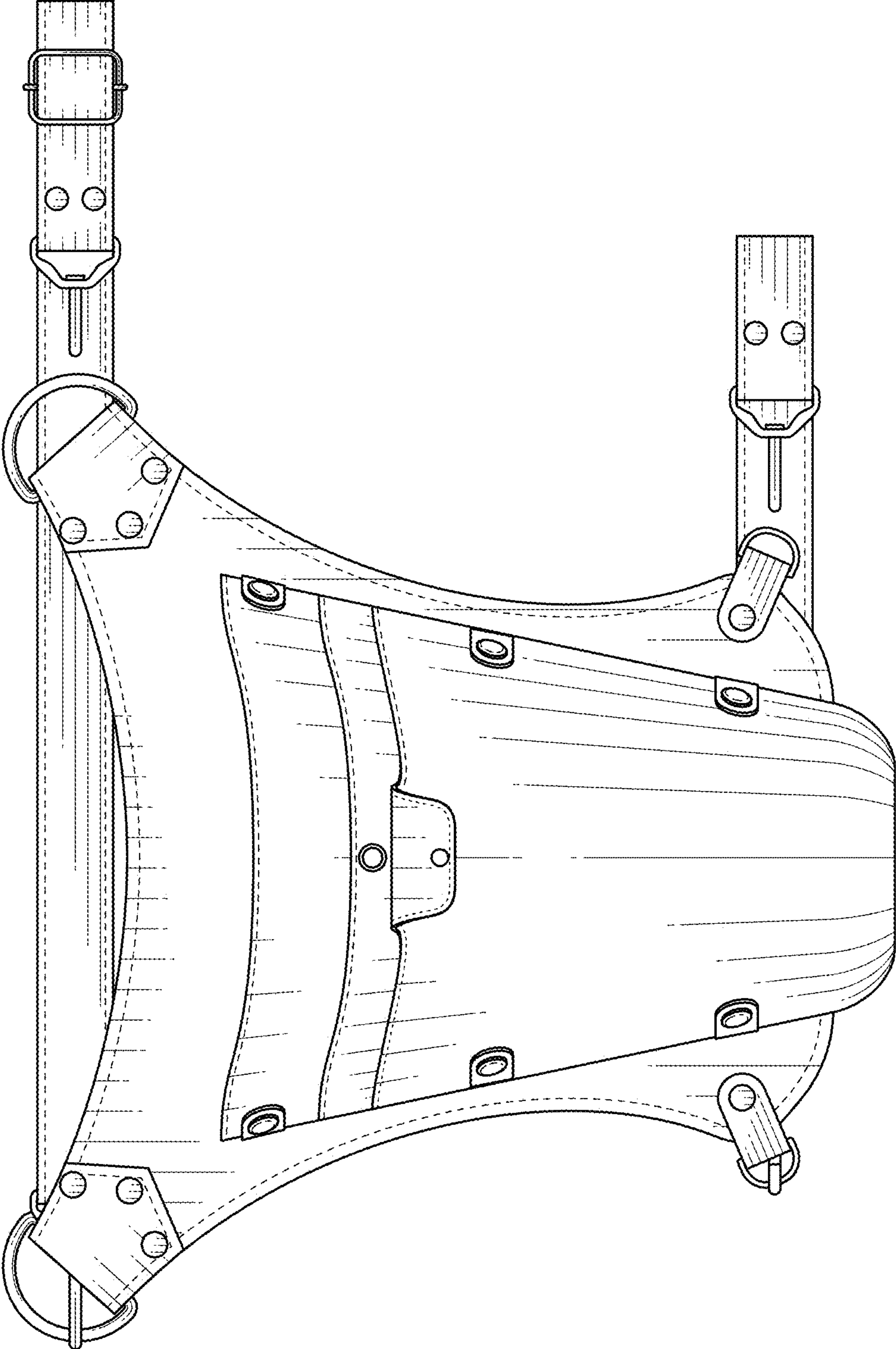


FIG. 3

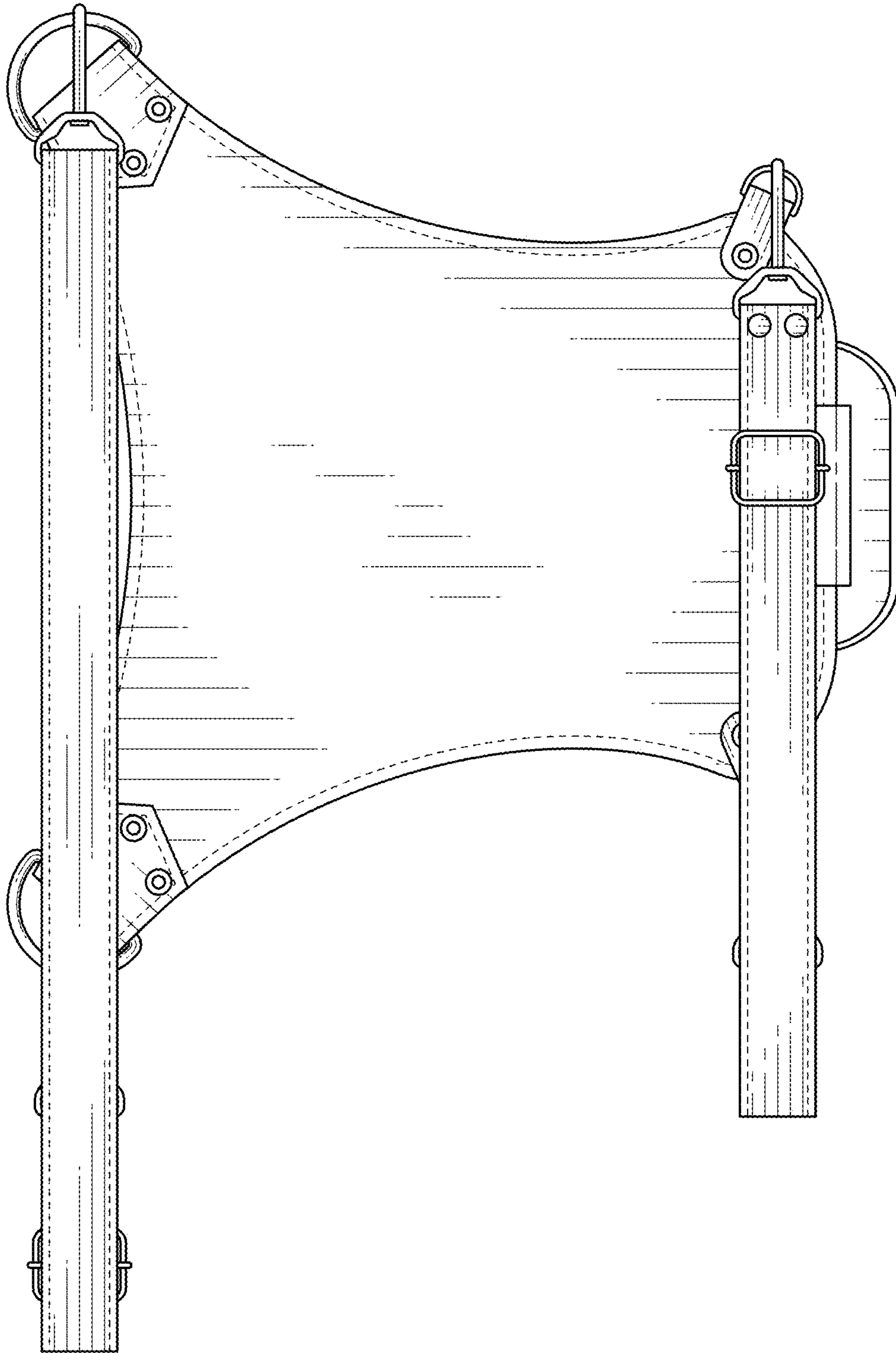


FIG. 4

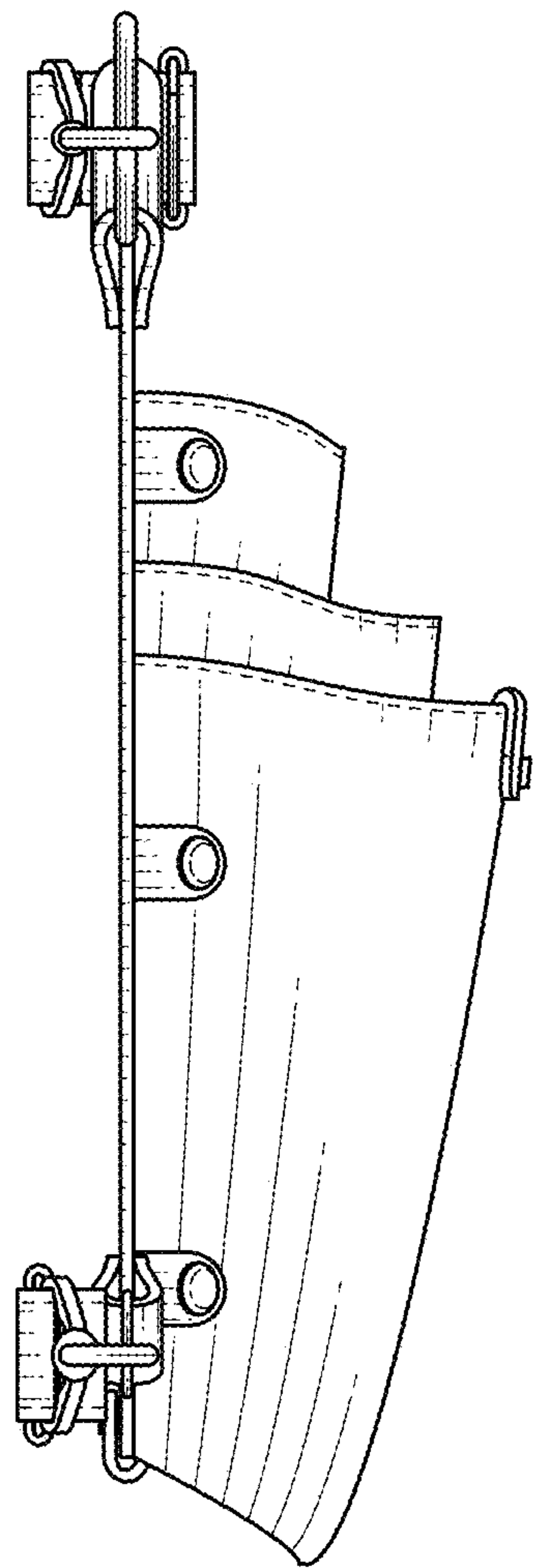


FIG. 5

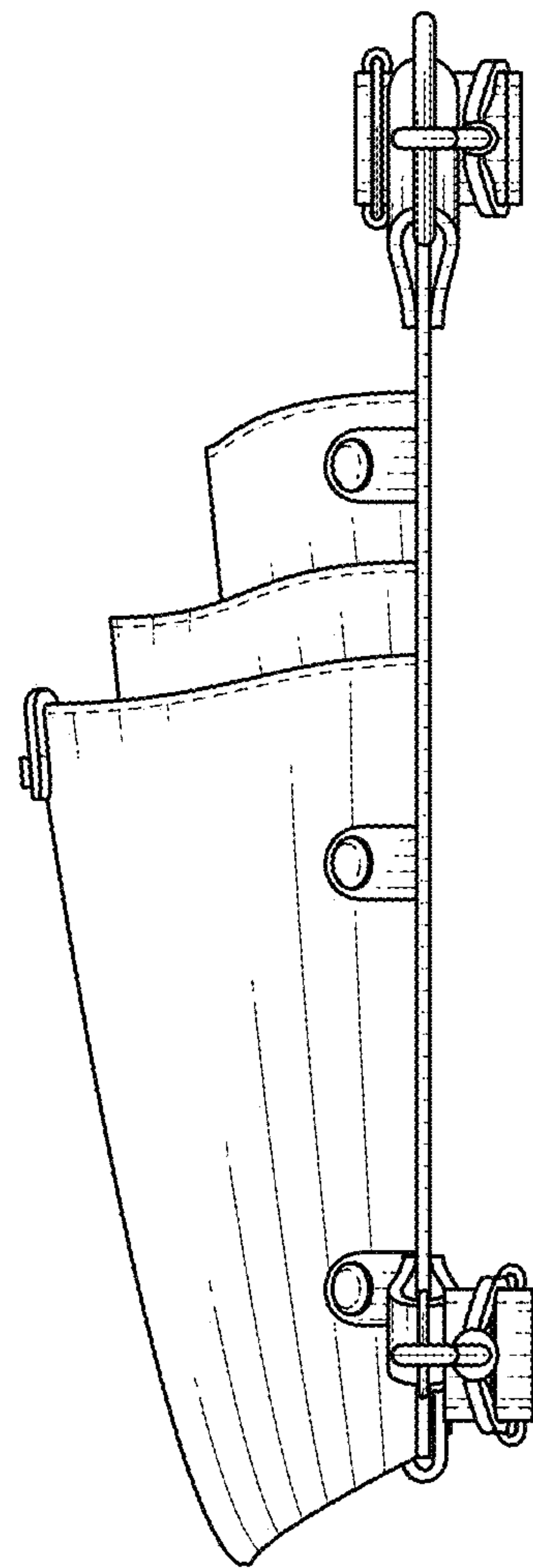


FIG. 6

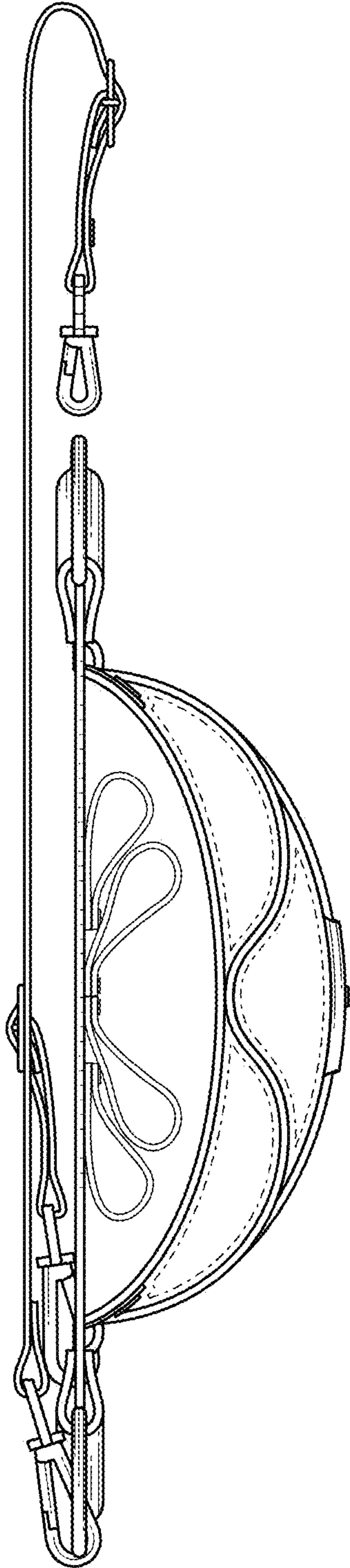


FIG. 7

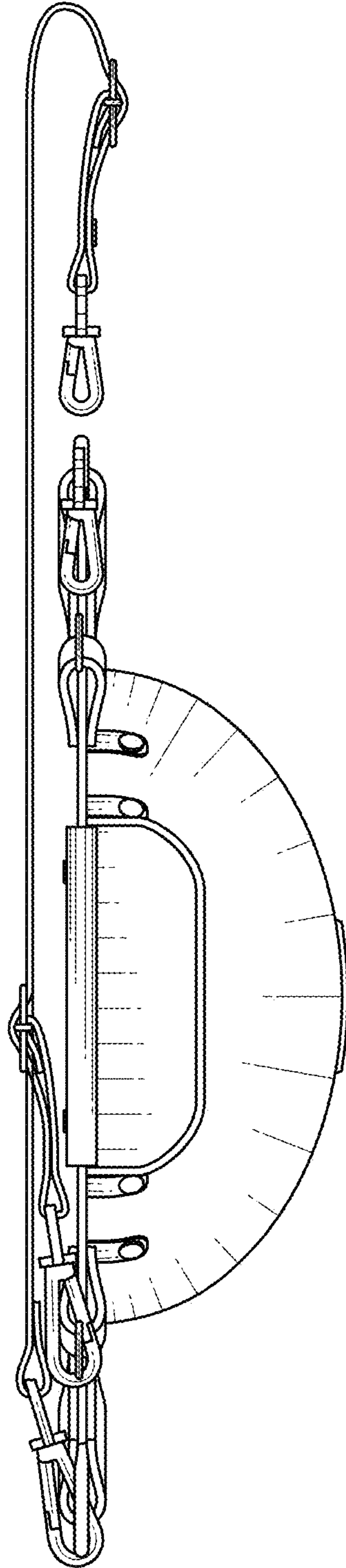


FIG. 8

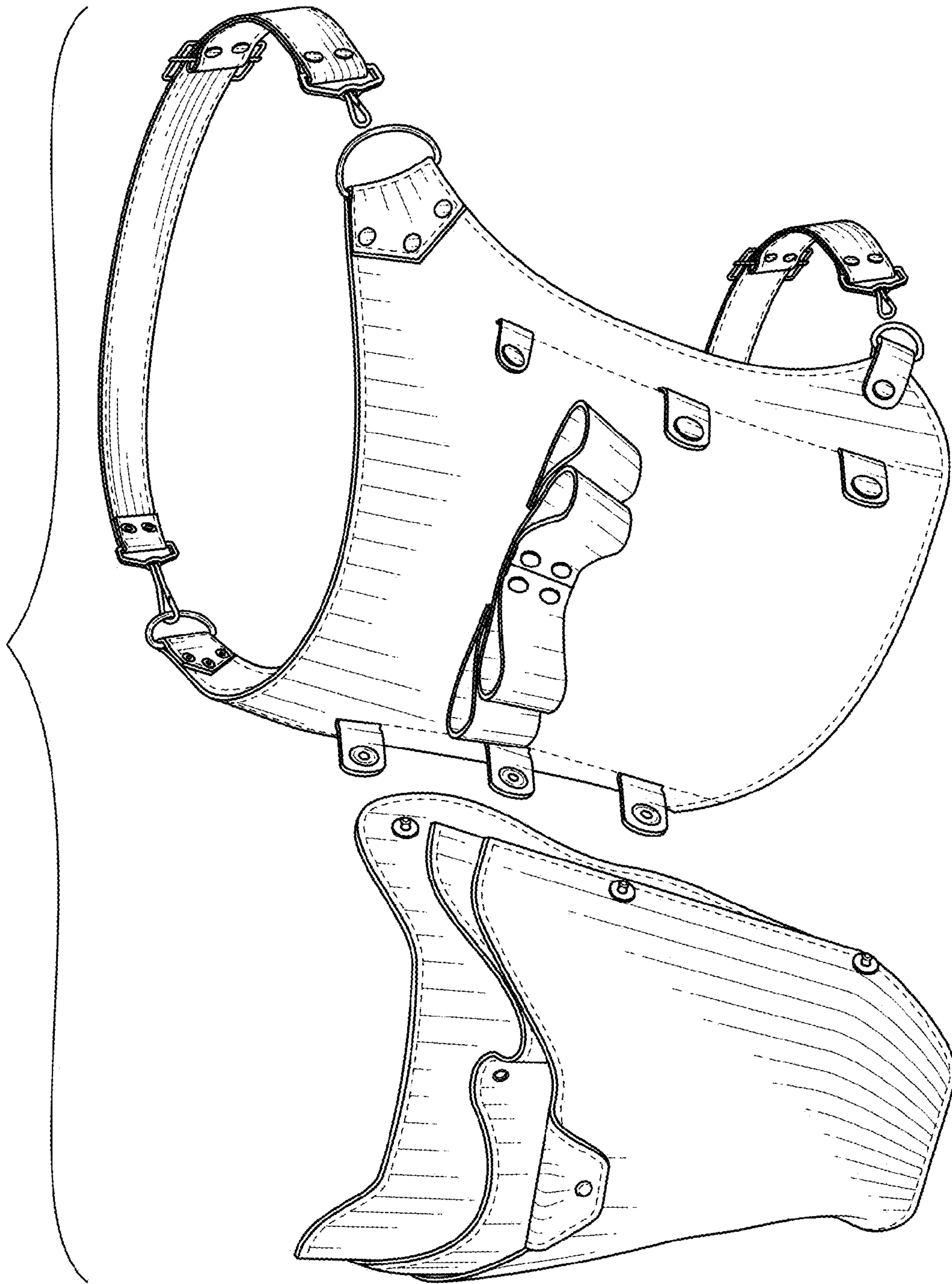


FIG. 9

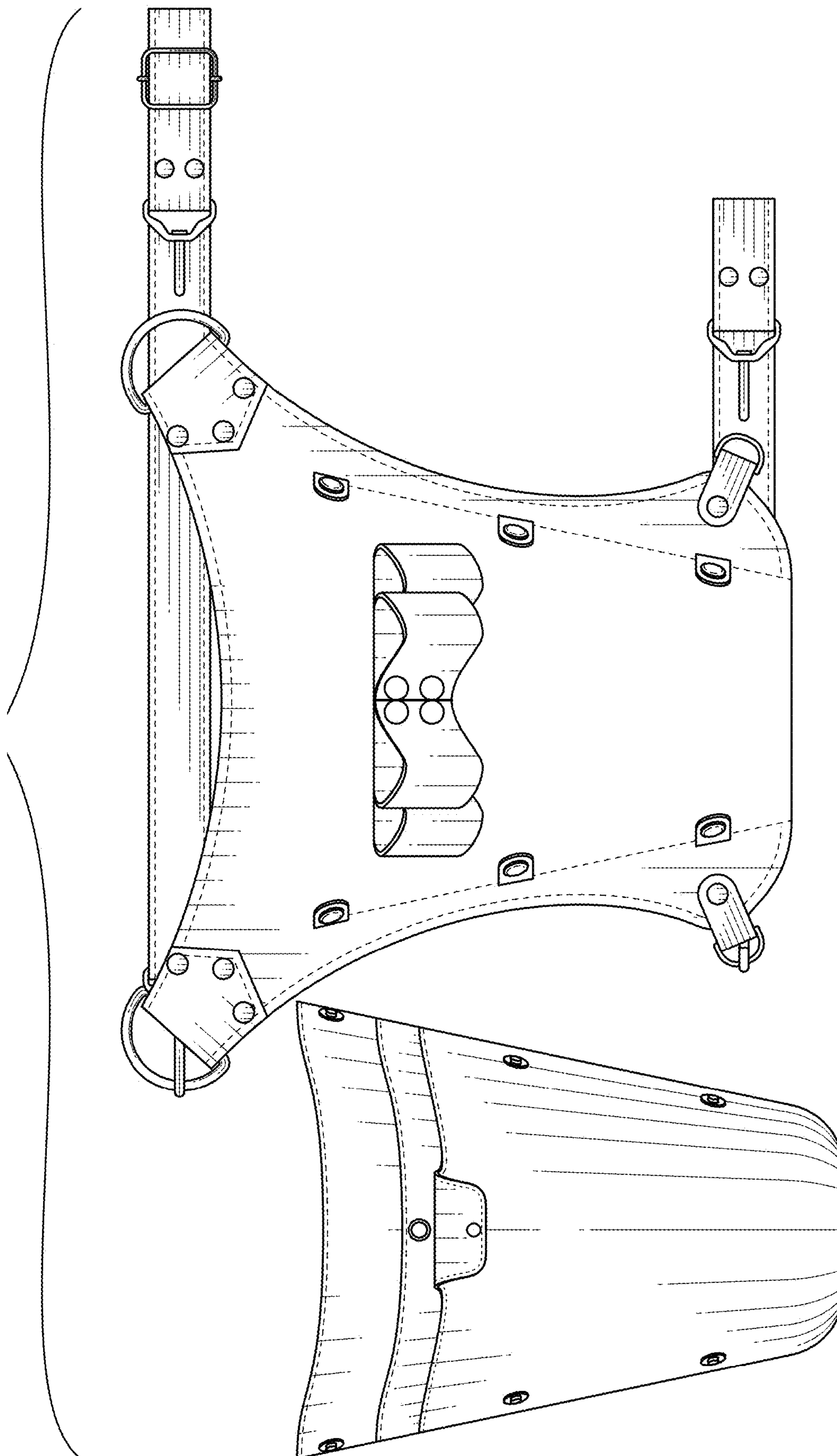


FIG. 10

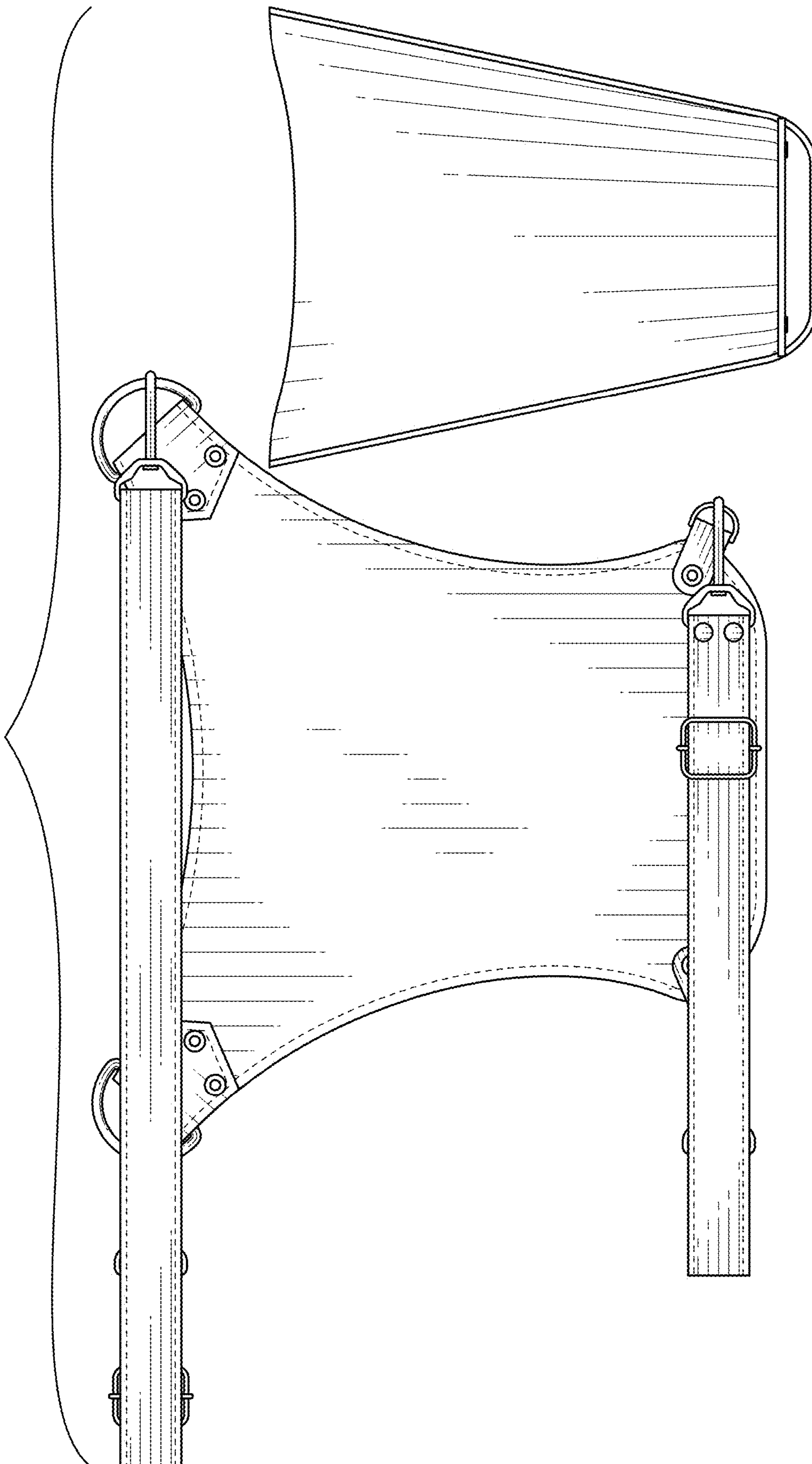


FIG. 11

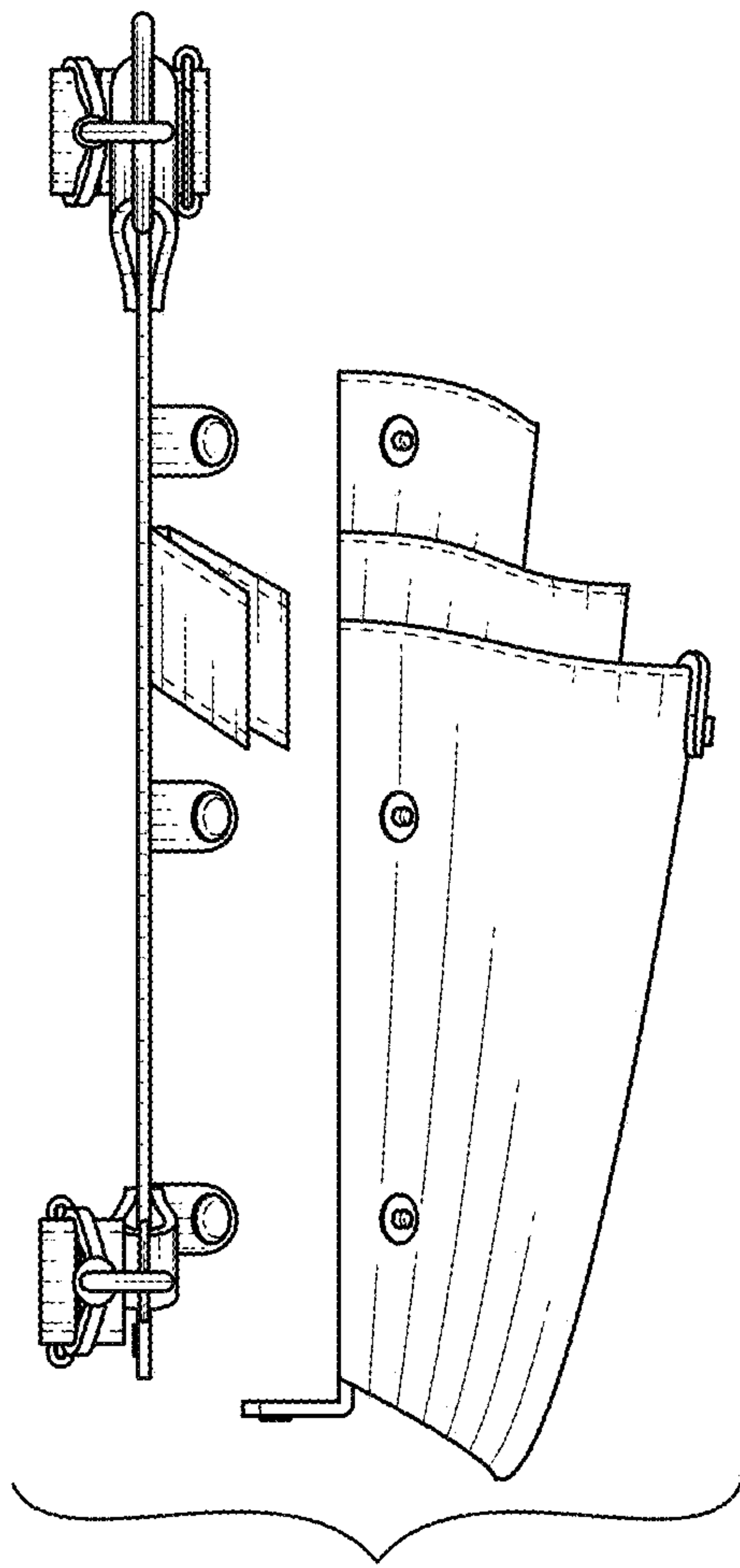


FIG. 12

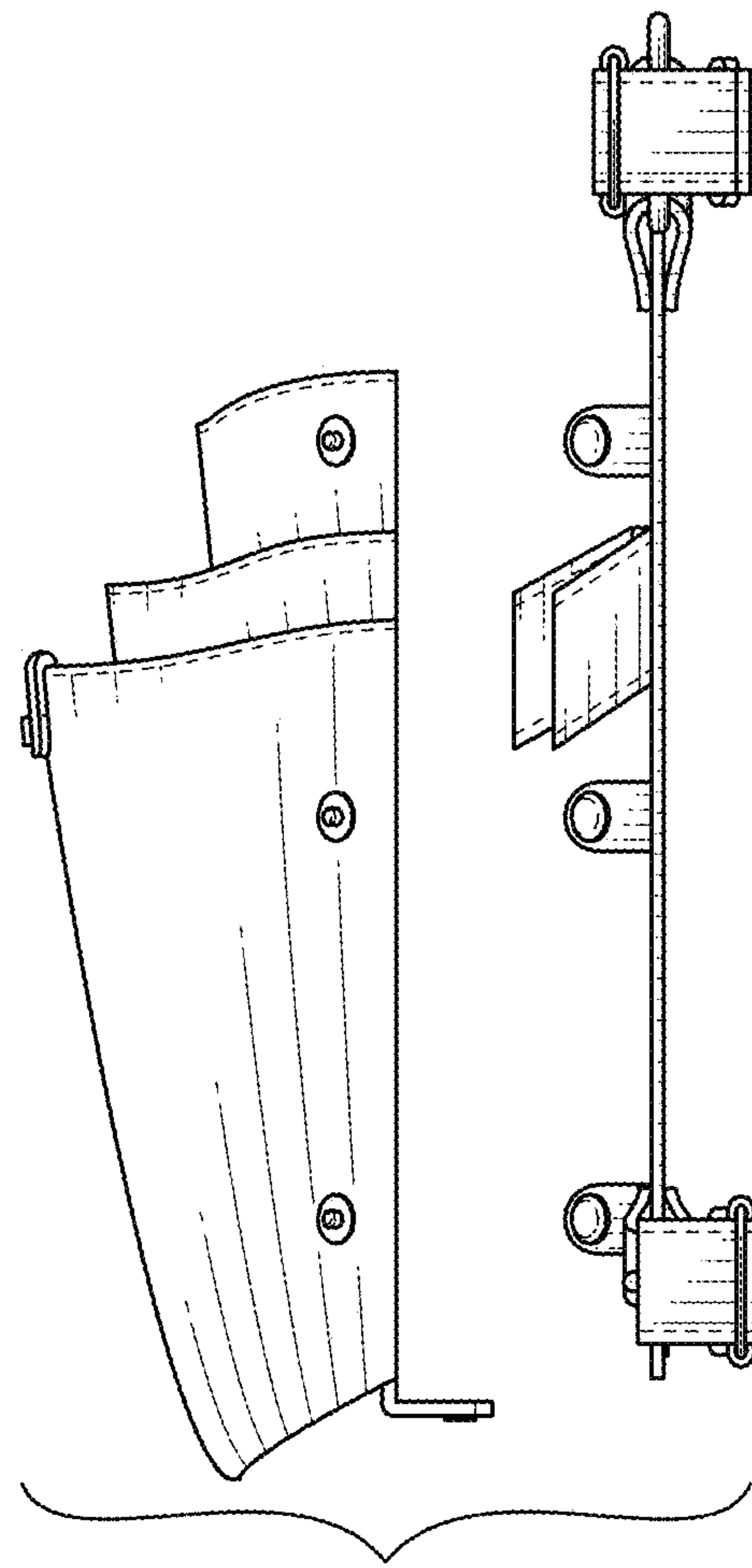


FIG. 13

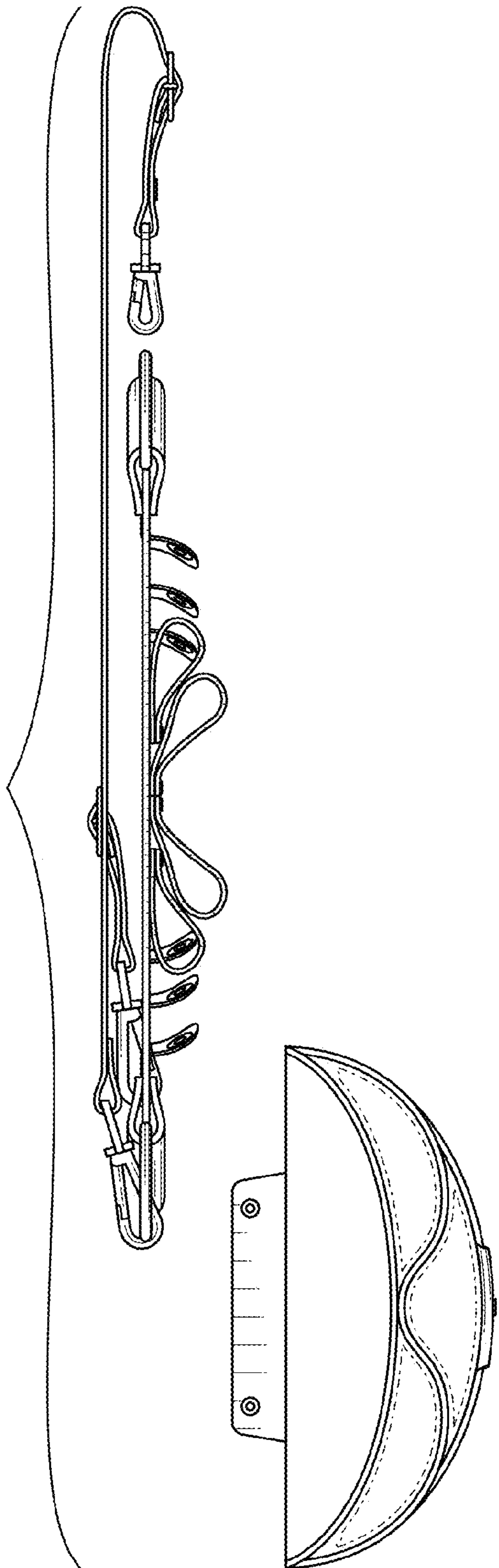


FIG. 14

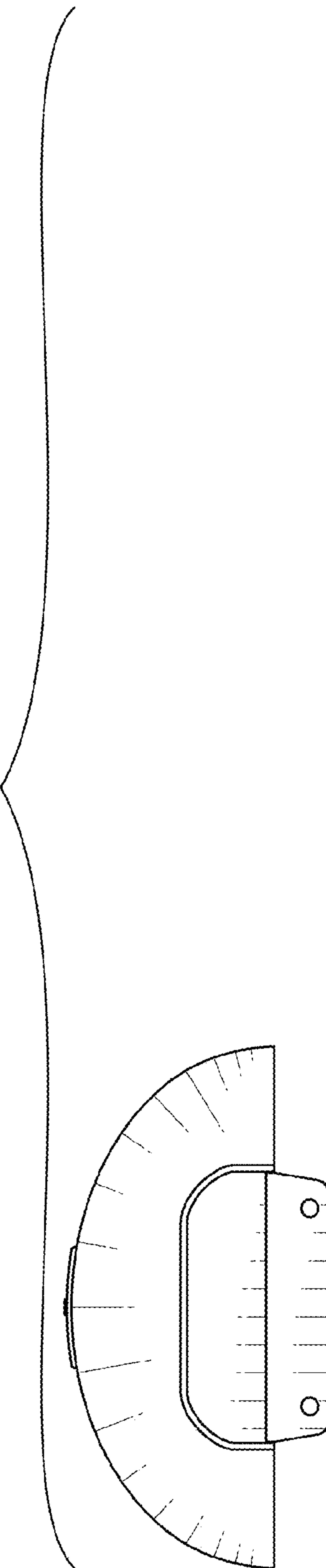


FIG. 15