



US00D868454S

(12) **United States Design Patent**
Moreau et al.

(10) **Patent No.:** **US D868,454 S**
(45) **Date of Patent:** **** Dec. 3, 2019**

(54) **LANYARD WITH CARABINER**

(71) Applicant: **Ty-Flot, Inc.**, Manchester, NH (US)

(72) Inventors: **Darrell A. Moreau**, Manchester, NH (US); **Andre W. Moreau**, Bedford, NH (US)

(73) Assignee: **Ty-Flot, Inc.**, Manchester, NH (US)

(**) Term: **15 Years**

(21) Appl. No.: **29/633,201**

(22) Filed: **Jan. 12, 2018**

(51) **LOC (12) Cl.** **03-01**

(52) **U.S. Cl.**
USPC **D3/215**

(58) **Field of Classification Search**
USPC D3/215, 207-212, 221, 226; D11/7, 11, D11/26, 200; 224/103, 219, 222, 254,
(Continued)

(56) **References Cited**

U.S. PATENT DOCUMENTS

3,294,299 A * 12/1966 Brennan A44C 19/00
224/220
4,982,522 A * 1/1991 Norton F41C 33/00
224/220

(Continued)

Primary Examiner — Catherine R Oliver-Garcia

(74) *Attorney, Agent, or Firm* — Dicke, Billig & Czaja, PLLC

(57) **CLAIM**

We claim the ornamental design for a lanyard with carabiner, as shown and described.

DESCRIPTION

FIG. 1A is a front, right perspective view of a rear portion of a lanyard with carabiner showing our new design.

FIG. 1B is a front, right perspective view of a middle portion of the lanyard with carabiner showing our new design.

FIG. 1C is a front, right perspective view of a front portion of the lanyard with carabiner showing our new design where FIGS. 1A, 1B and 1C shows the complete lanyard with carabiner showing our new design.

FIG. 2A is a right-side elevation view of the rear portion shown in FIG. 1A.

FIG. 2B is a right-side elevation view of the middle portion shown in FIG. 1B.

FIG. 2C is a right-side elevation view of the front portion shown in FIG. 1C

FIG. 3A is a left-side elevation view of the rear portion shown in FIG. 1A.

FIG. 3B is a left-side elevation view of the middle portion shown in FIG. 1B.

FIG. 3C is a left-side elevation view of the front portion shown in FIG. 1C

FIG. 4A is a bottom plan view of the back portion shown in FIG. 1A.

FIG. 4B is a bottom plan view of the middle portion shown in FIG. 1B.

FIG. 4C is a bottom plan view of the front portion shown in FIG. 1C

FIG. 5A is a top plan view of the back portion shown in FIG. 1A.

FIG. 5B is a top plan view of the middle portion shown in FIG. 1B.

FIG. 5C is a top plan view of the front portion shown in FIG. 1C

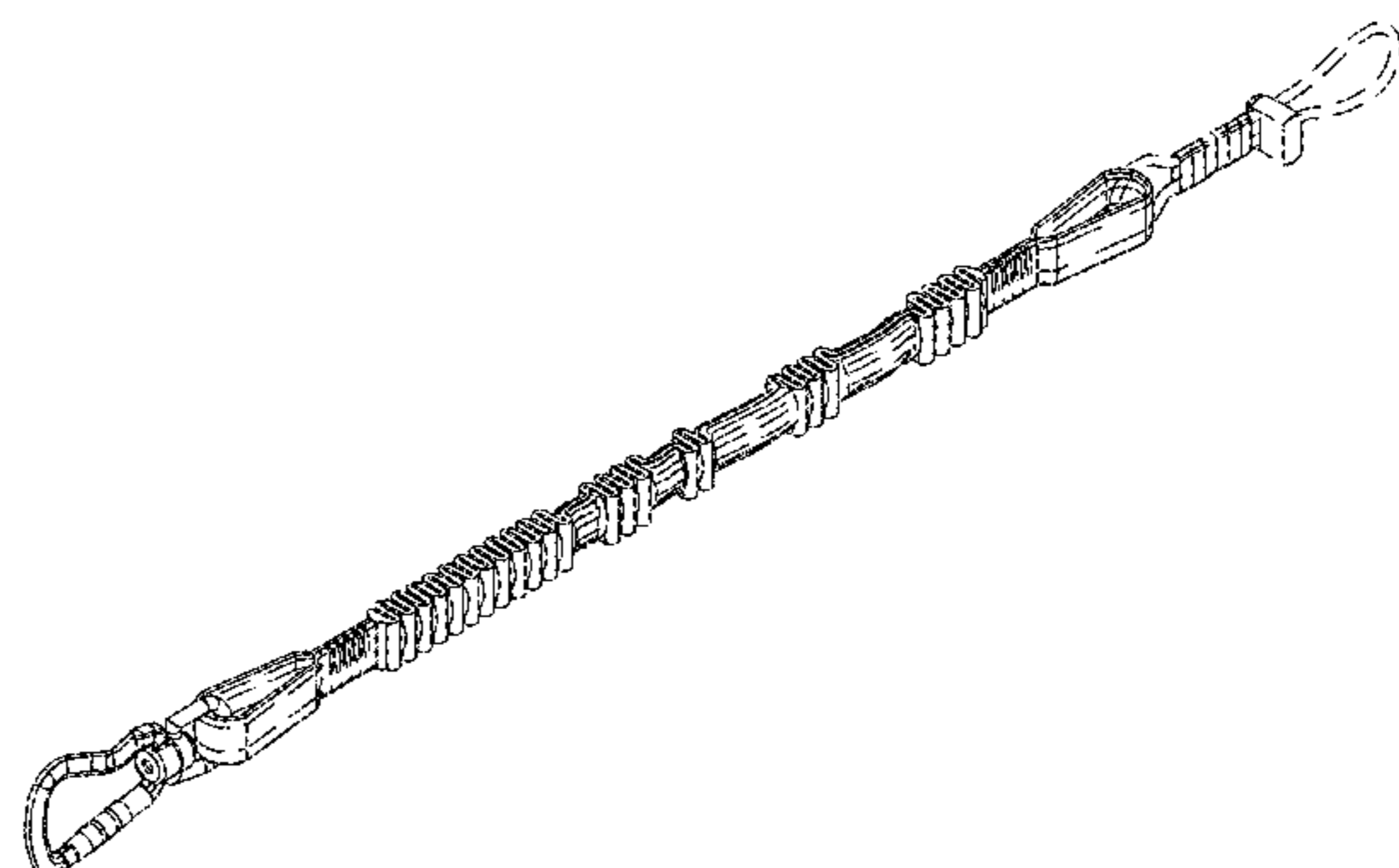
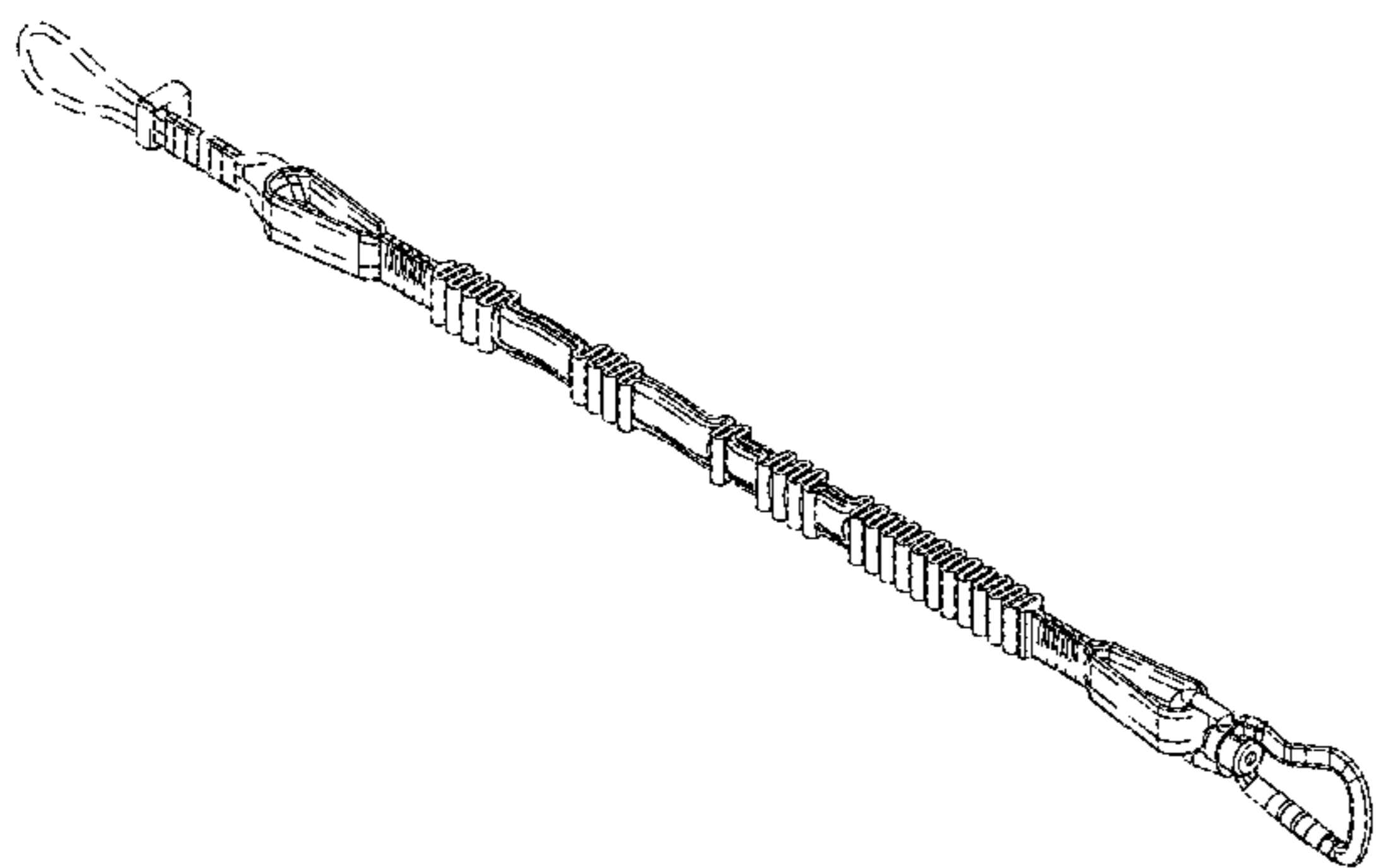
FIG. 6 is a rear elevation view thereof.

FIG. 7 is a front elevation view thereof.

FIG. 8 is a right, front, perspective view in reduced size showing the entire lanyard with carabiner; and, FIG. 9 is a left, front, perspective view of FIG. 8.

The broken lines in the figures are disclaimed and are included for the purpose of illustrating an example of the outer surface of the lanyard with carabiner and forms no part of the claimed design.

1 Claim, 7 Drawing Sheets



(58) **Field of Classification Search**

USPC 224/269, 220, 901.4, 901.8;
294/149–150, 137, 165; 2/422; 43/25
CPC A44C 19/00; A45F 5/00; A45F 2003/002;
A45F 2005/006; A01K 27/001; A01K
27/002; A01K 27/003; A01K 97/00;
A01M 31/006

See application file for complete search history.

(56) **References Cited**

U.S. PATENT DOCUMENTS

D377,862 S * 2/1997 Moore 224/220
D410,330 S * 6/1999 Klein D3/221
D418,774 S * 1/2000 Kalbach D11/26
6,168,556 B1 * 1/2001 Saavedra A63B 21/4019
224/220
D521,726 S * 5/2006 Tarantino D3/215
D541,190 S * 4/2007 Plzak D11/200
D557,008 S * 12/2007 Stiller D3/207
D621,606 S * 8/2010 Marquardt D3/215
D655,080 S * 3/2012 Burrows D3/215
D724,987 S * 3/2015 Aragon D11/11
9,016,534 B2 * 4/2015 Whitley A45F 5/00
224/254
D756,107 S * 5/2016 Votel D3/228
D768,979 S * 10/2016 Waters D3/207
D798,042 S * 9/2017 Moreau D3/215
D835,396 S * 12/2018 Raffle D3/215
2016/0050905 A1 * 2/2016 Owen A01M 31/006
224/103

* cited by examiner

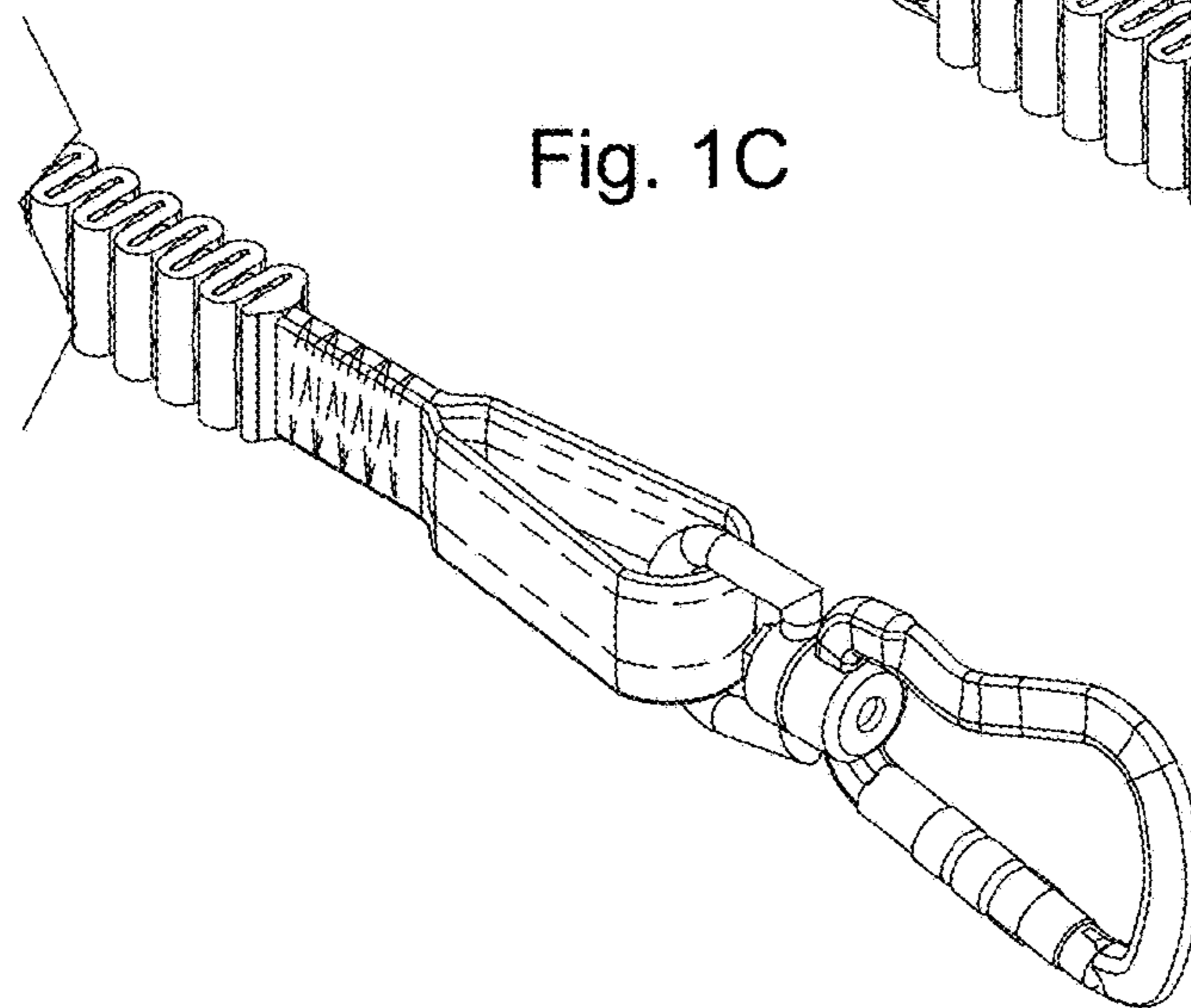
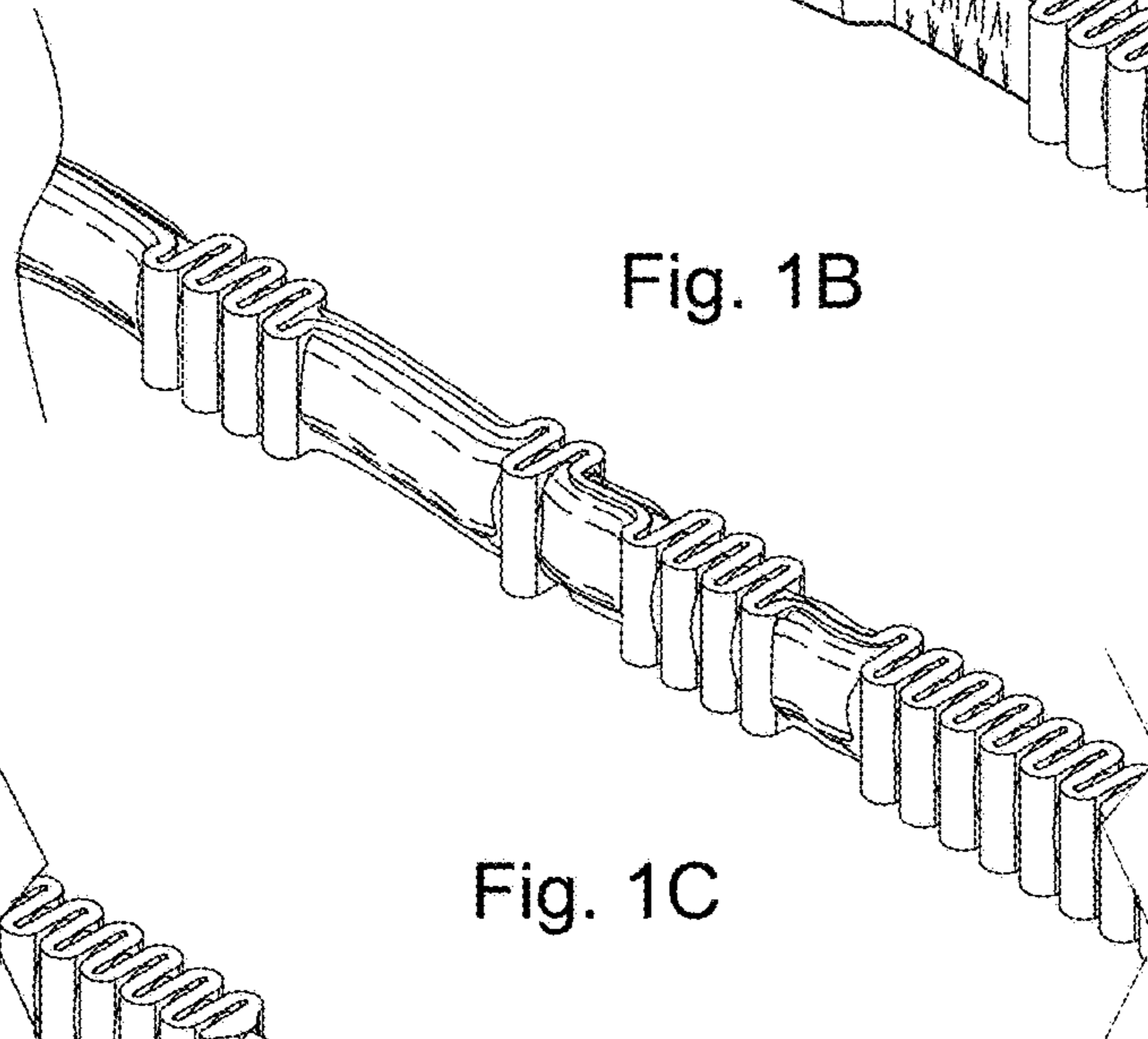
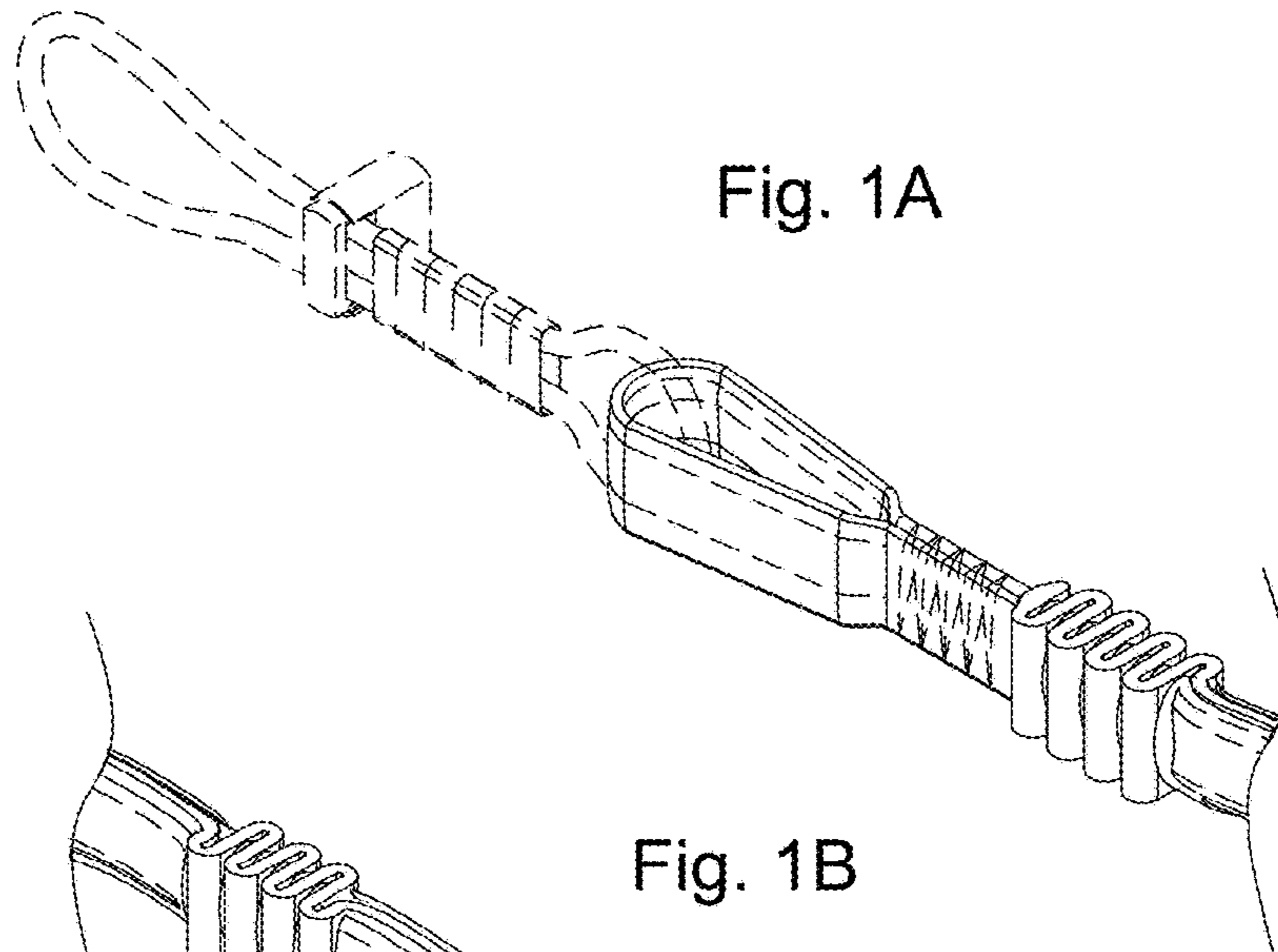


Fig. 2A

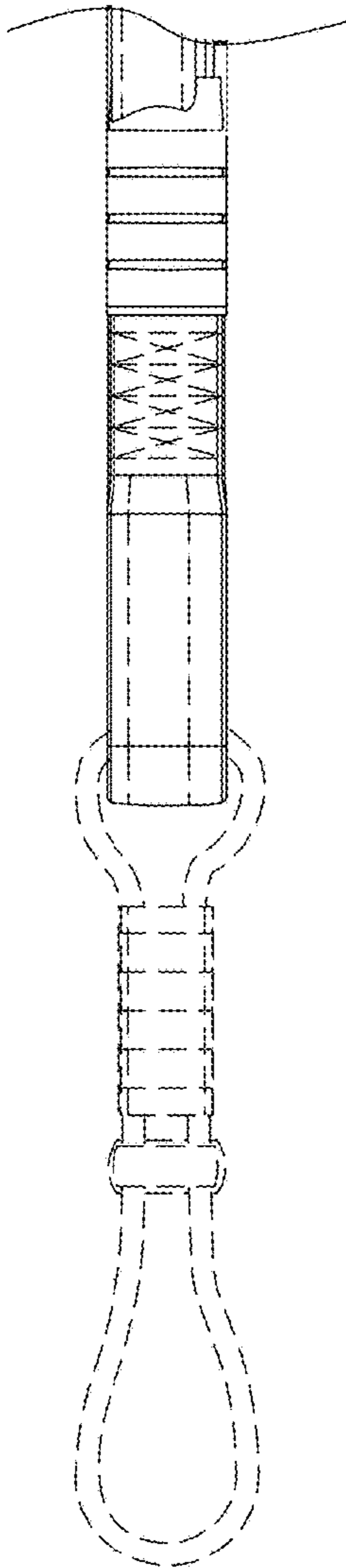


Fig. 2B

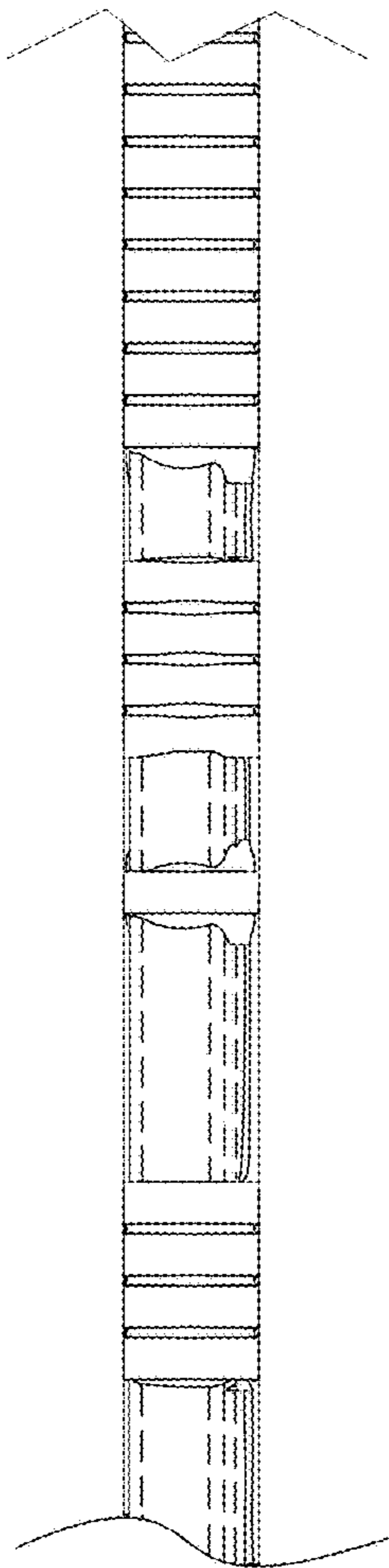
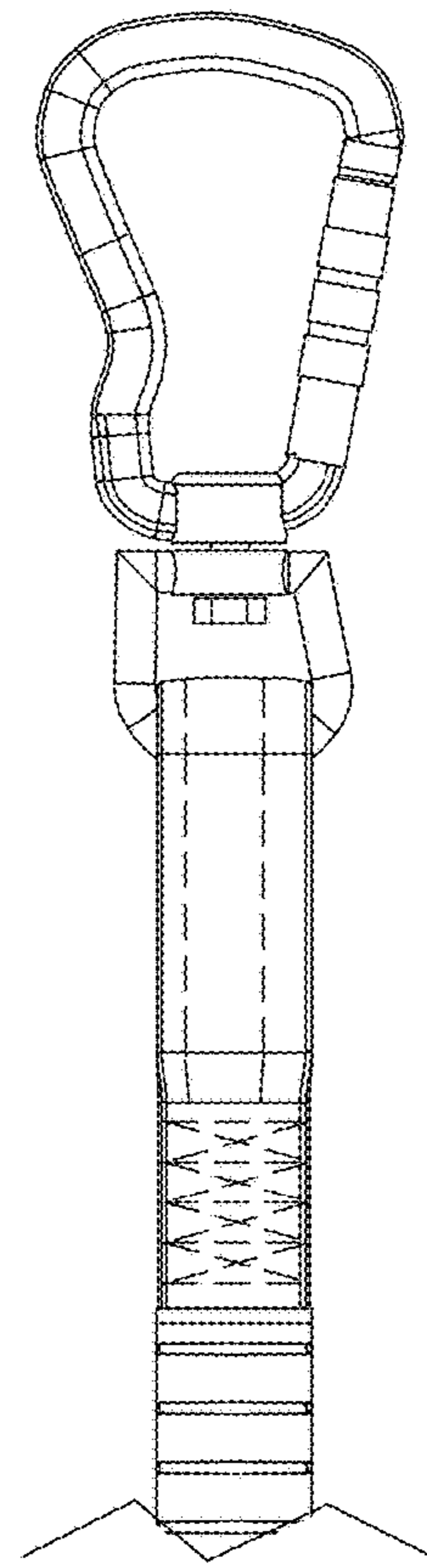


Fig. 2C



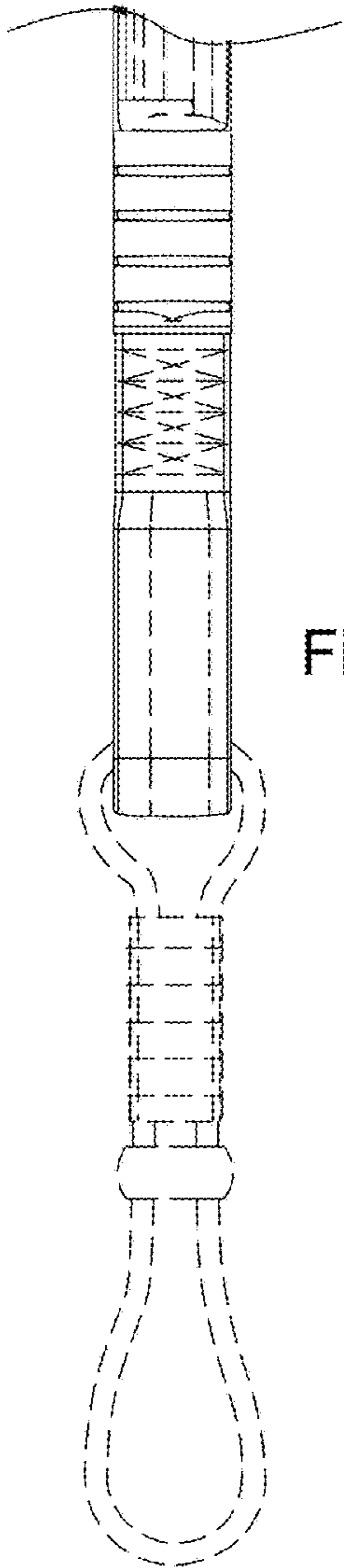


Fig. 3A

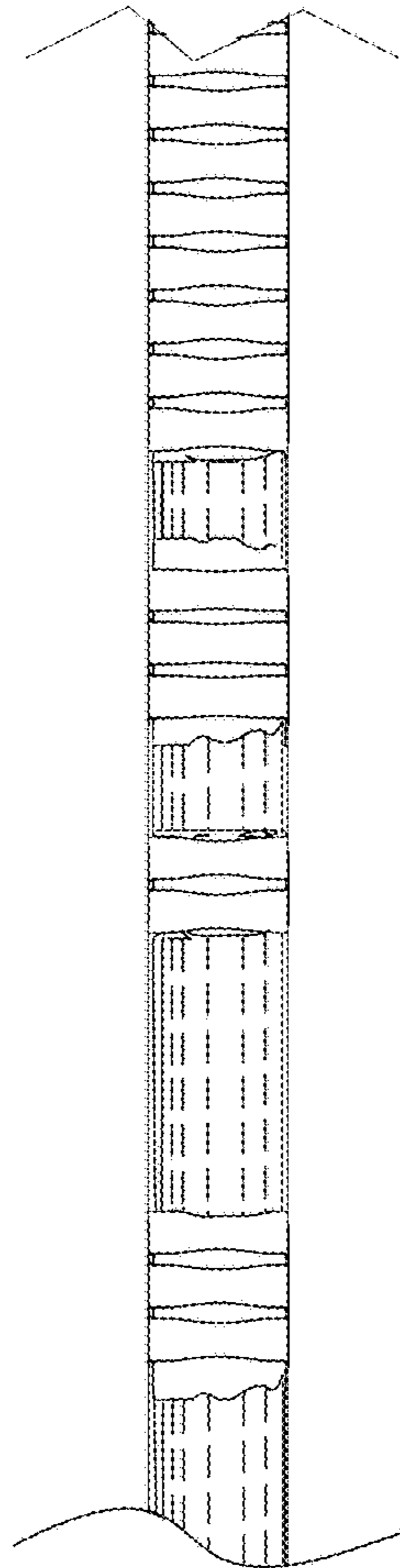


Fig. 3B

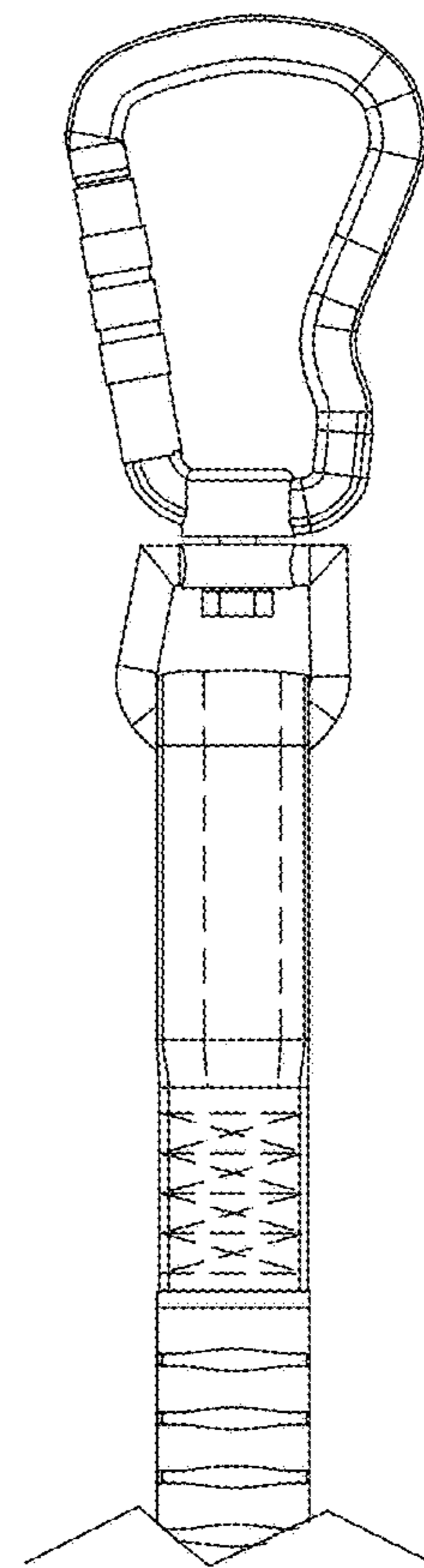
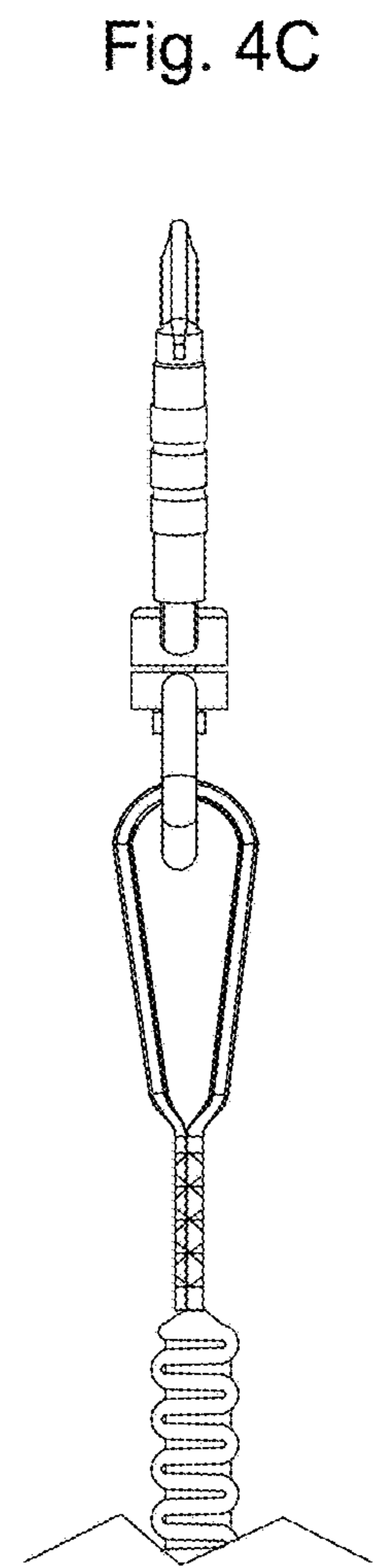
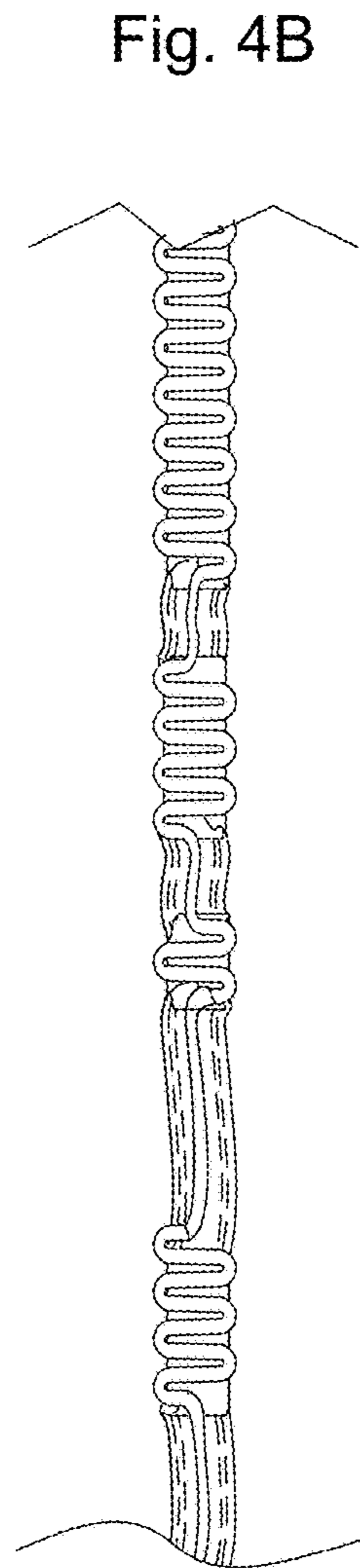
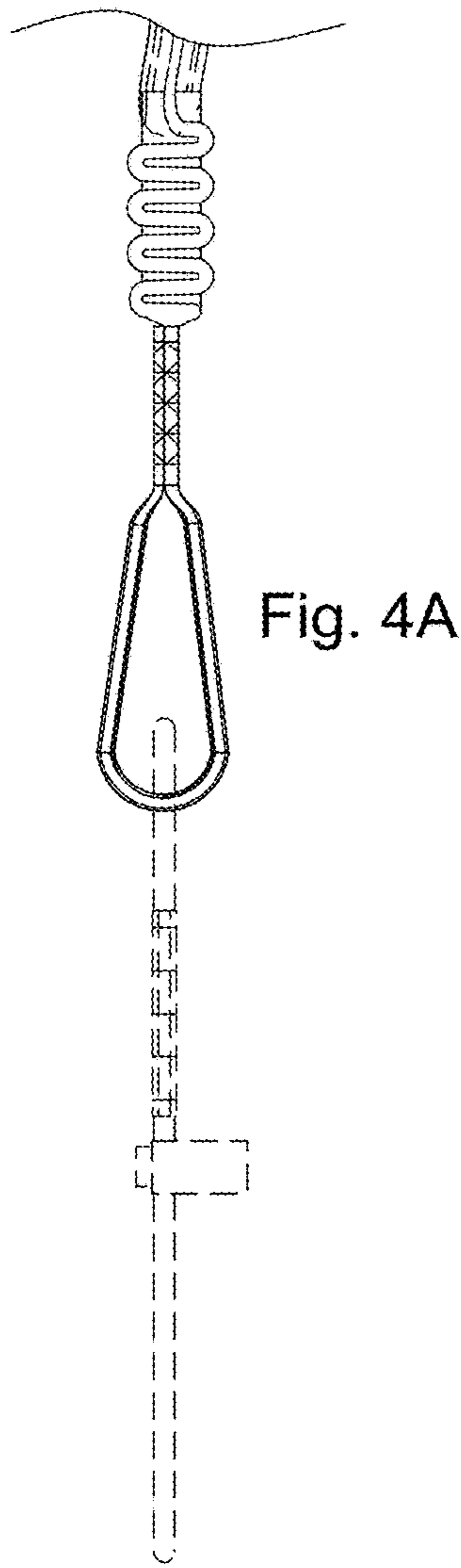


Fig. 3C



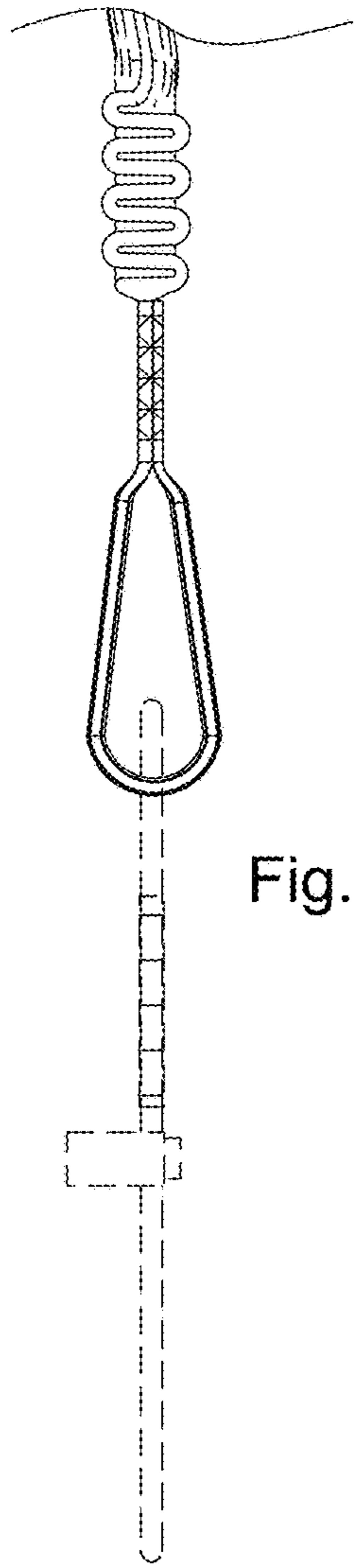


Fig. 5A

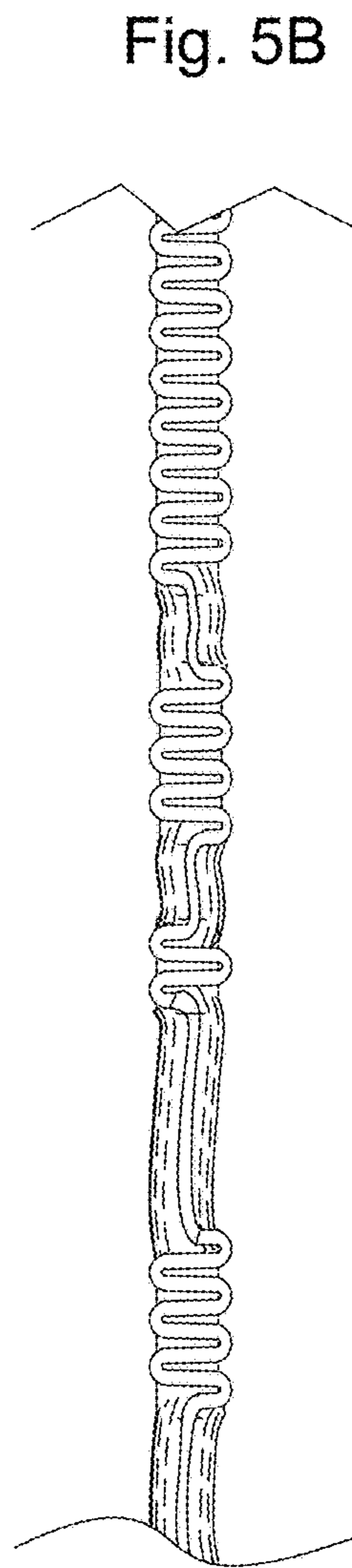


Fig. 5B

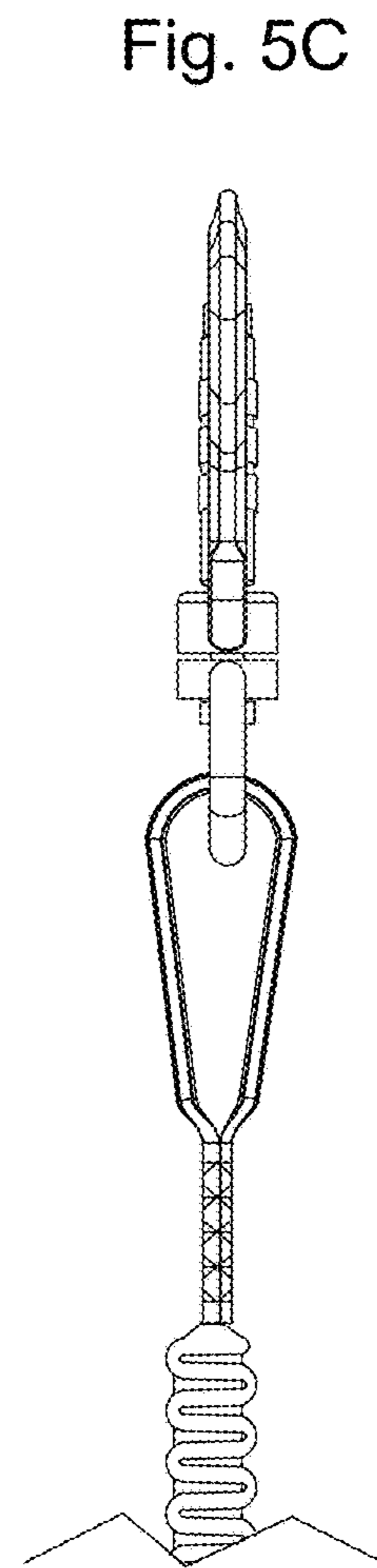


Fig. 5C

Fig. 6

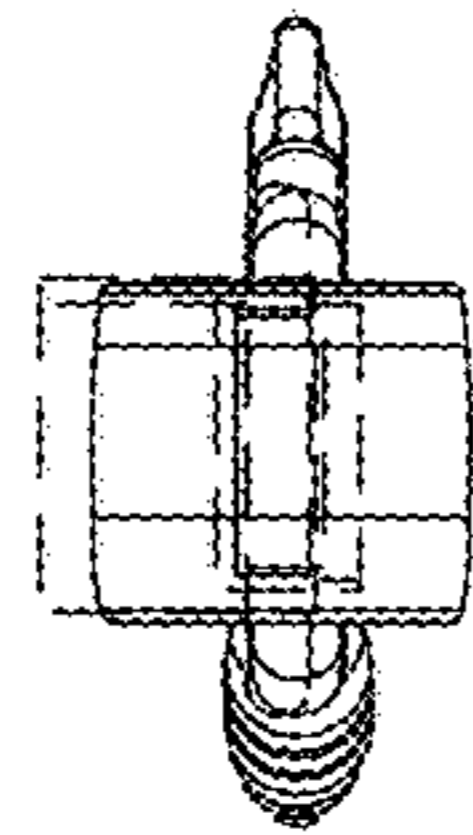
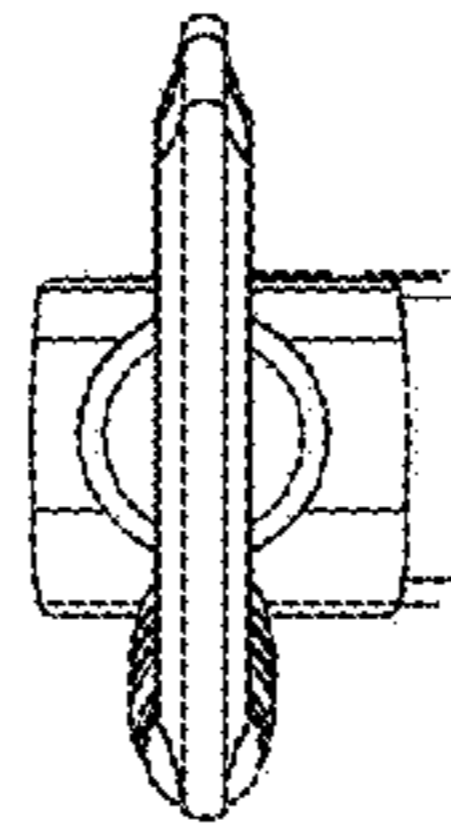


Fig. 7



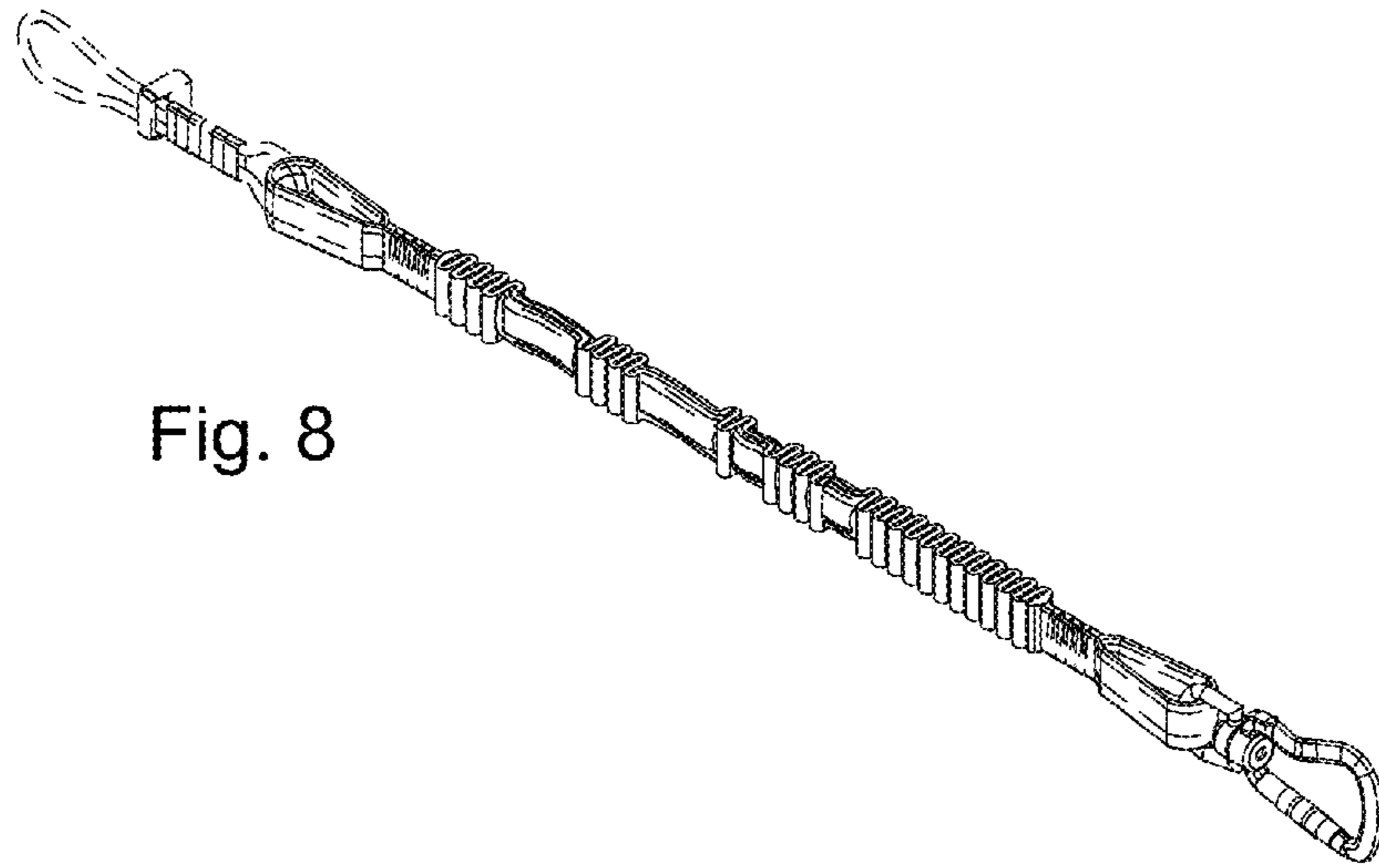


Fig. 8

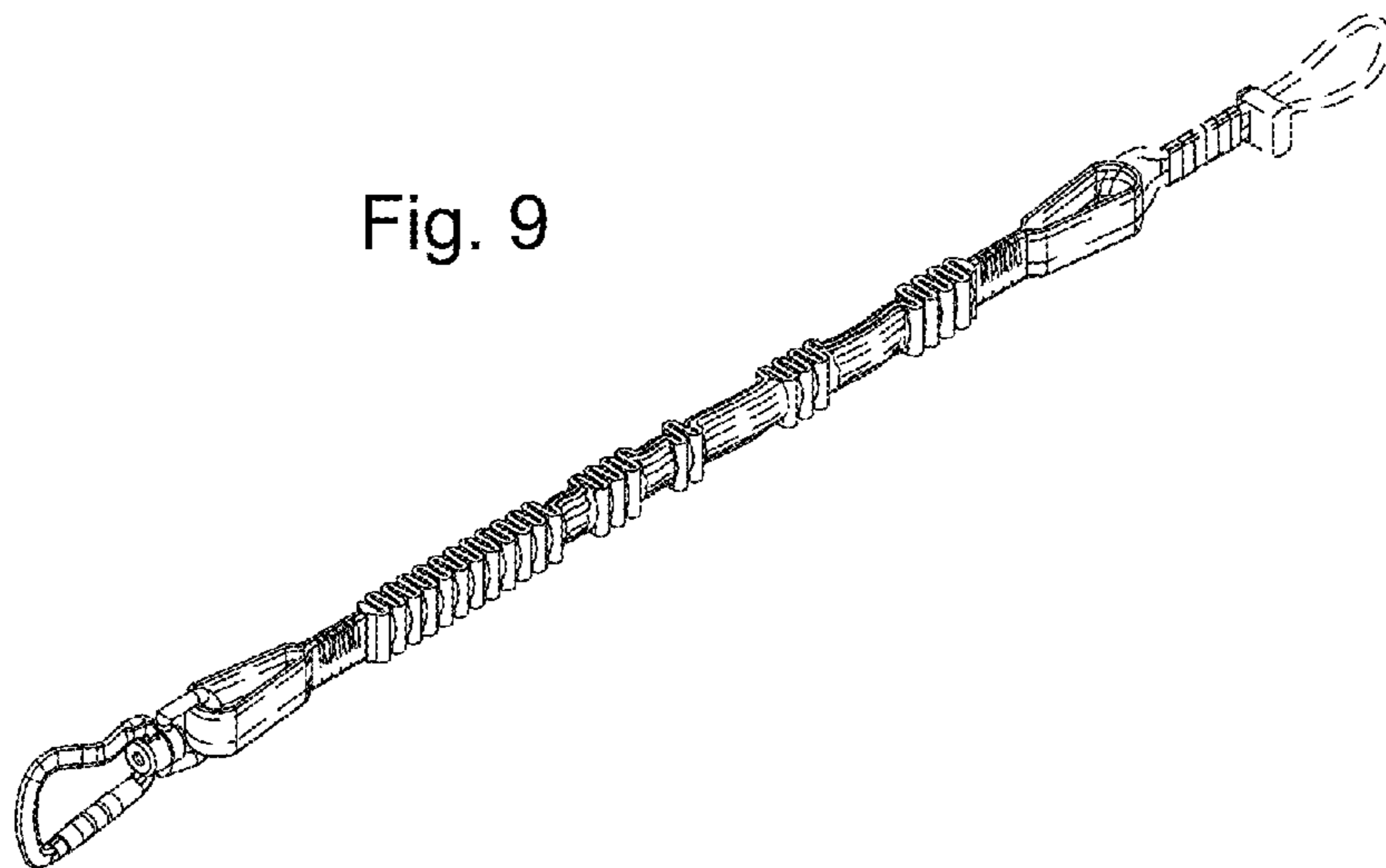


Fig. 9