



US00D868451S

(12) **United States Design Patent**  
**Harper**

(10) **Patent No.:** **US D868,451 S**

(45) **Date of Patent:** **\*\* Dec. 3, 2019**

(54) **CASE FOR A COMMUNICATIONS HEADSET**

(71) Applicant: **Plantronics, Inc.**, Santa Cruz, CA (US)

(72) Inventor: **Pierre Harper**, Boise, ID (US)

(73) Assignee: **Plantronics, Inc.**, Santa Cruz, CA (US)

(\*\*) Term: **15 Years**

(21) Appl. No.: **29/605,818**

(22) Filed: **May 30, 2017**

(51) **LOC (12) Cl.** ..... **03-01**

(52) **U.S. Cl.**  
USPC ..... **D3/201**

(58) **Field of Classification Search**  
USPC ..... D3/201, 207, 208, 215, 218, 226, 228,  
D3/229, 230, 269, 273, 290, 299, 303,  
D3/304, 316, 318; D9/702, 703, 705,  
D9/707, 709, 710

CPC ..... B65D 83/384; F41H 9/10  
See application file for complete search history.

(56) **References Cited**

**U.S. PATENT DOCUMENTS**

D306,233 S *	2/1990	Smith	.....	D3/201
D433,564 S *	11/2000	Backman	.....	D3/228
D501,307 S *	2/2005	Sterns	.....	D3/203.2
D515,310 S *	2/2006	Liu	.....	D3/218
D527,896 S *	9/2006	Fenner	.....	D3/228
D543,690 S *	6/2007	Fishman	.....	D3/201
D543,694 S *	6/2007	Wang	.....	D3/218
D565,836 S *	4/2008	Wang	.....	D3/201

D604,945 S *	12/2009	Tkachuk	.....	D3/218
D617,557 S *	6/2010	Molina	.....	D3/282
8,335,545 B2 *	12/2012	Ham	.....	G06F 1/1632 379/428.02
D681,602 S *	5/2013	Koch	.....	D14/205
D693,576 S *	11/2013	Chen	.....	D3/282
D699,215 S *	2/2014	Koch	.....	D14/205
D717,771 S *	11/2014	Harper	.....	D14/223
D728,935 S *	5/2015	Huang	.....	D3/282
D734,022 S *	7/2015	Harper	.....	
D768,384 S *	10/2016	Seale	.....	D3/282

\* cited by examiner

*Primary Examiner* — Holly E Thurman

(57) **CLAIM**

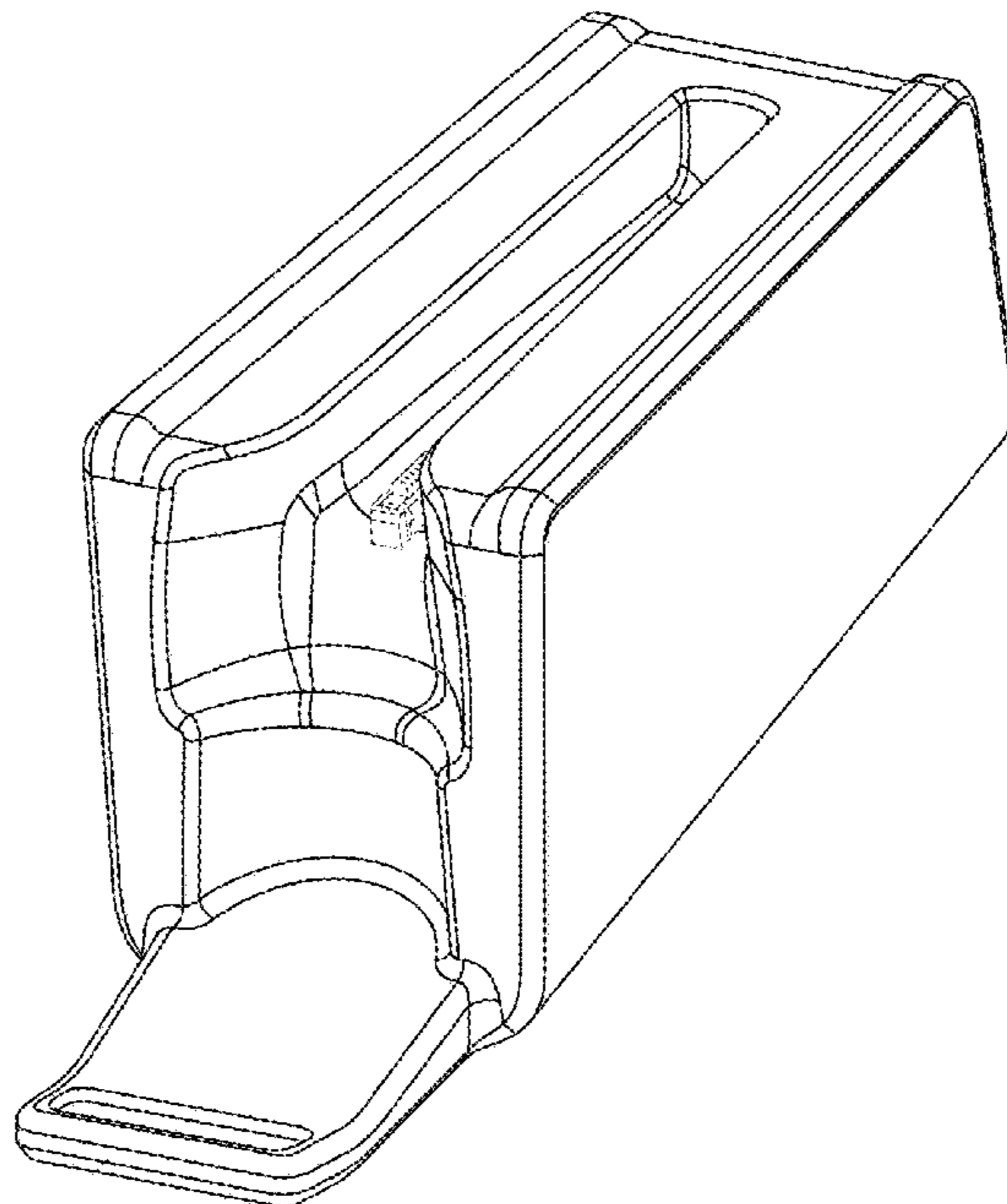
The ornamental design for a case for a communications headset, as shown and described.

**DESCRIPTION**

FIG. 1 is a front-top-right perspective view of a case for a communications headset showing my new design; FIG. 2 is a back-top-left perspective view thereof; FIG. 3 is a back view thereof; FIG. 4 is a front view thereof; FIG. 5 is a right side view thereof; FIG. 6 is a left side view thereof; FIG. 7 is a bottom view thereof; and, FIG. 8 is a top view thereof.

The broken lines showing the unclaimed features form no part of the claimed design.

**1 Claim, 8 Drawing Sheets**



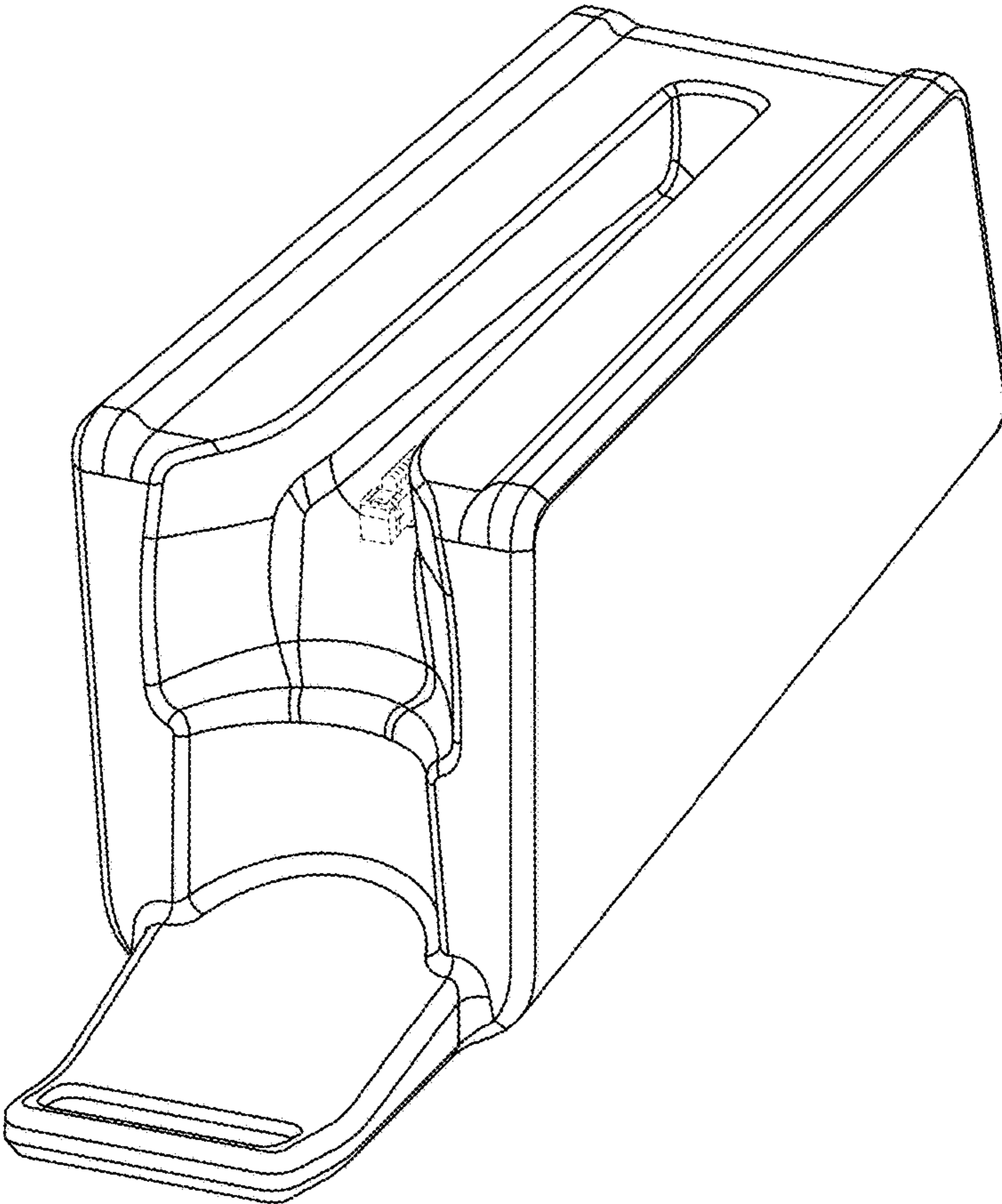


FIG. 1

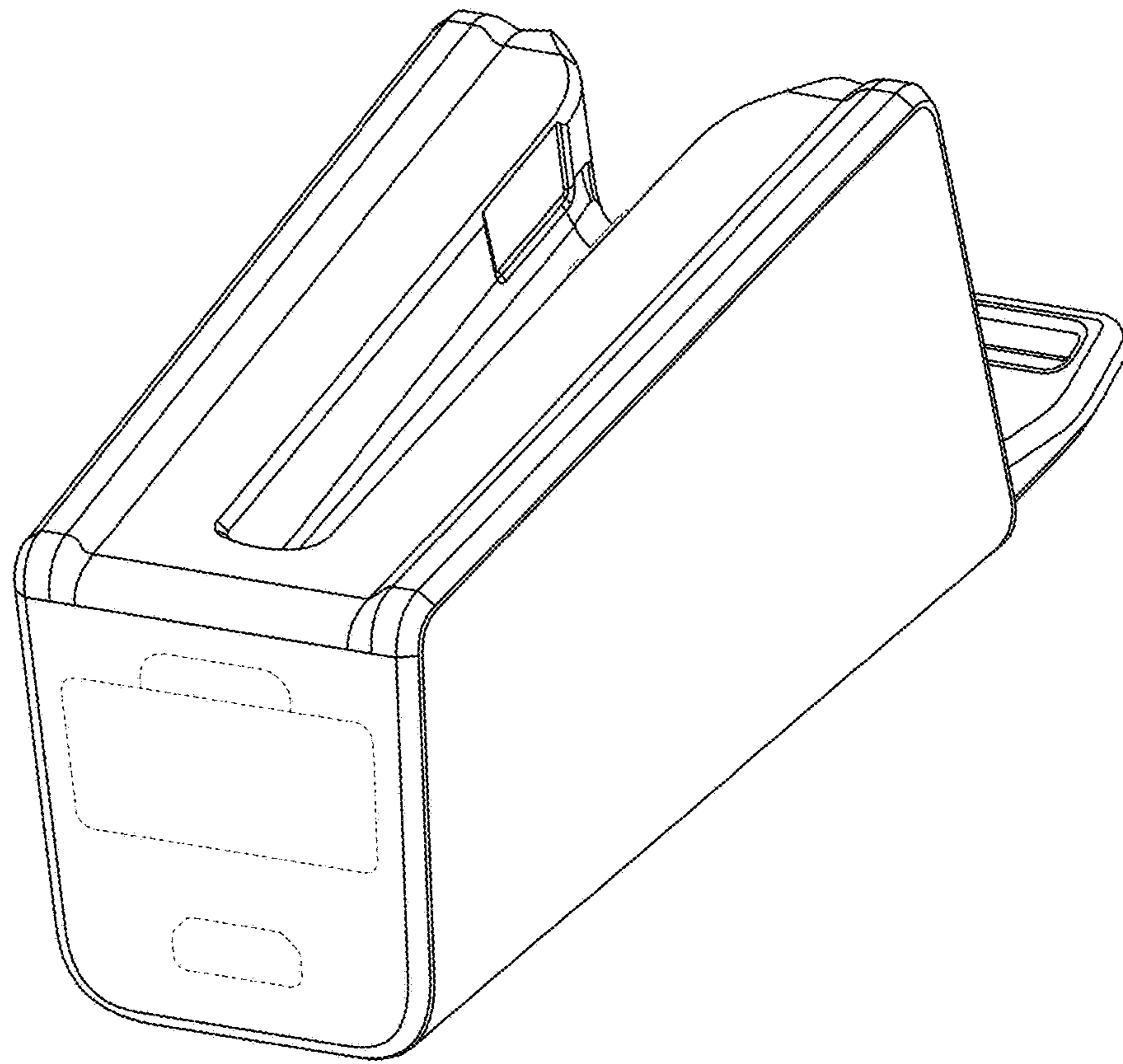


FIG. 2

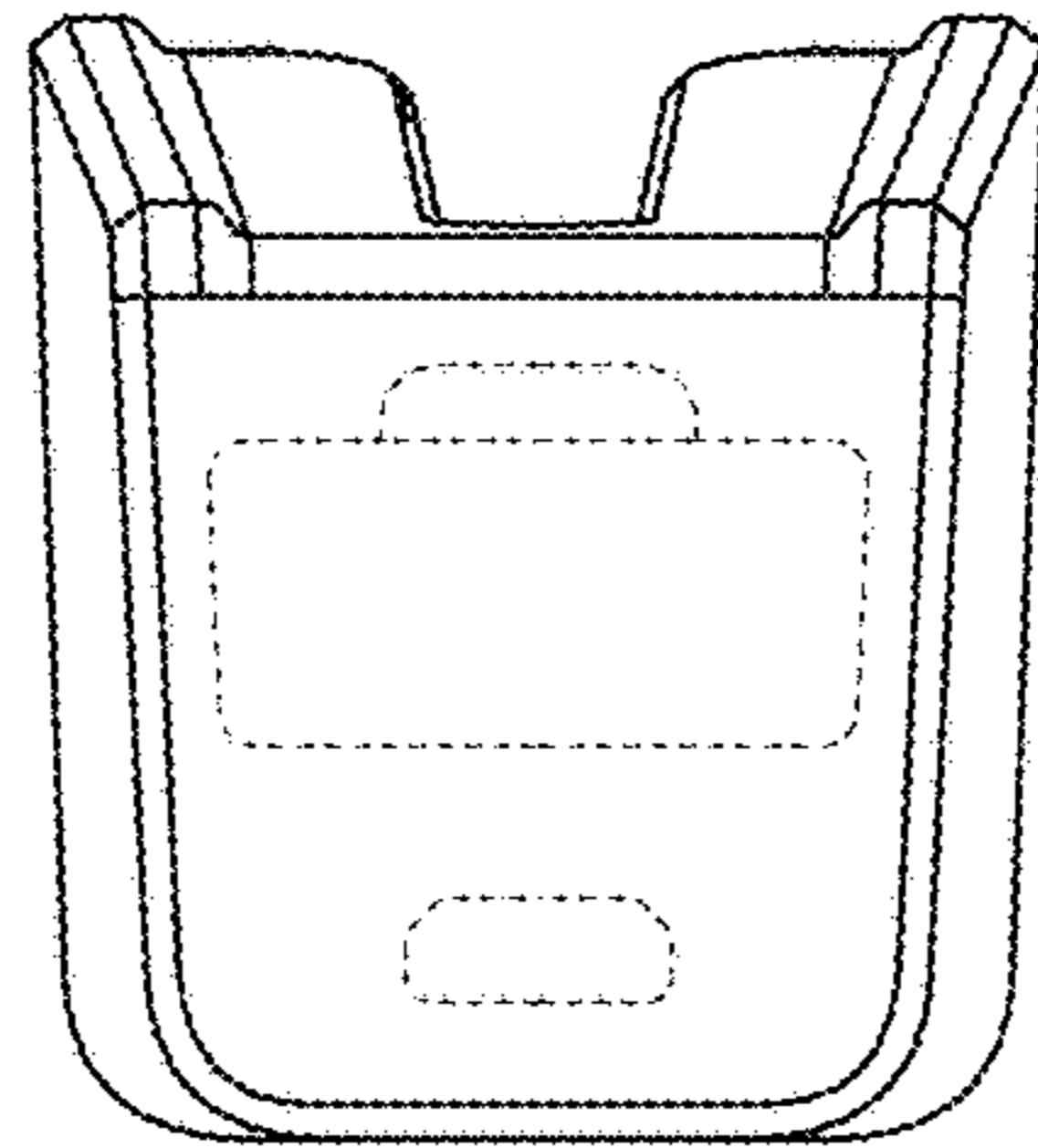


FIG. 3

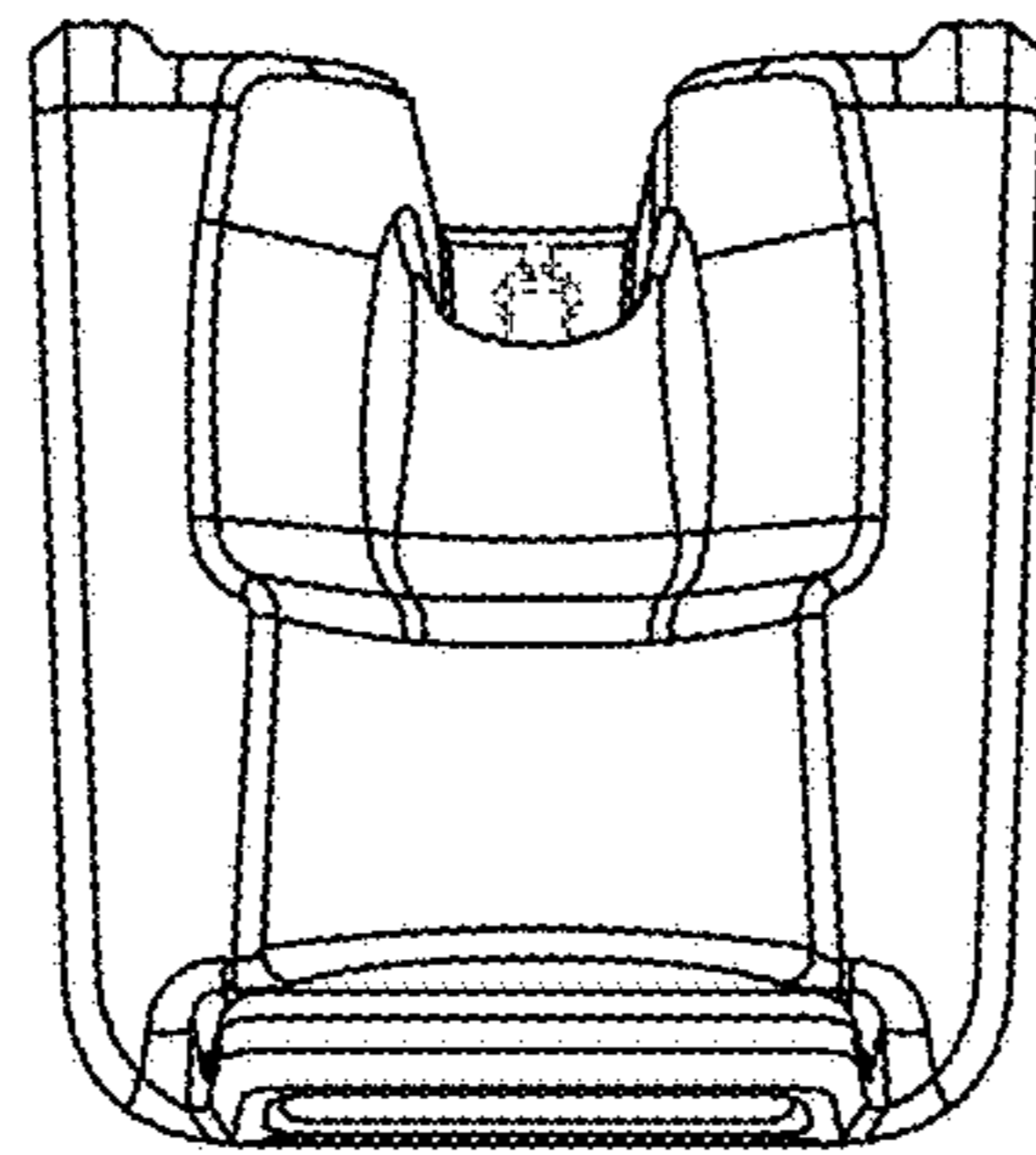


FIG. 4

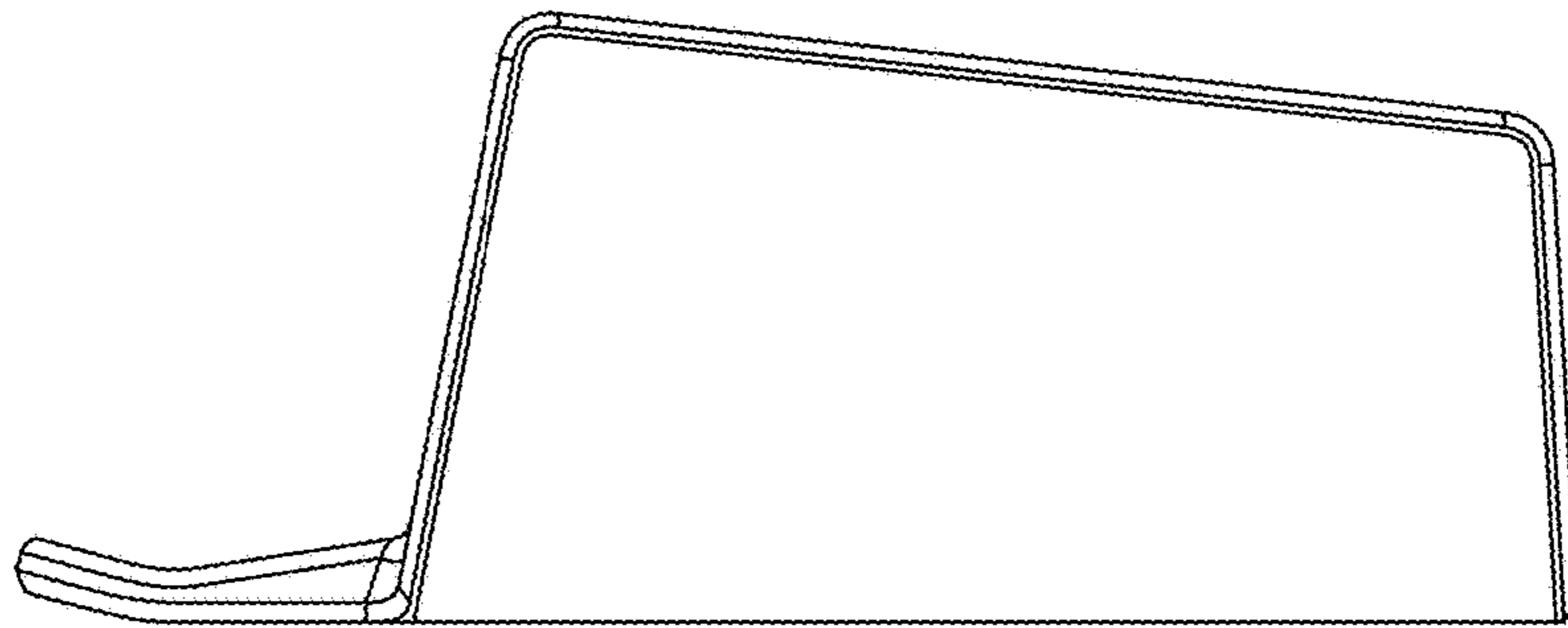


FIG. 5

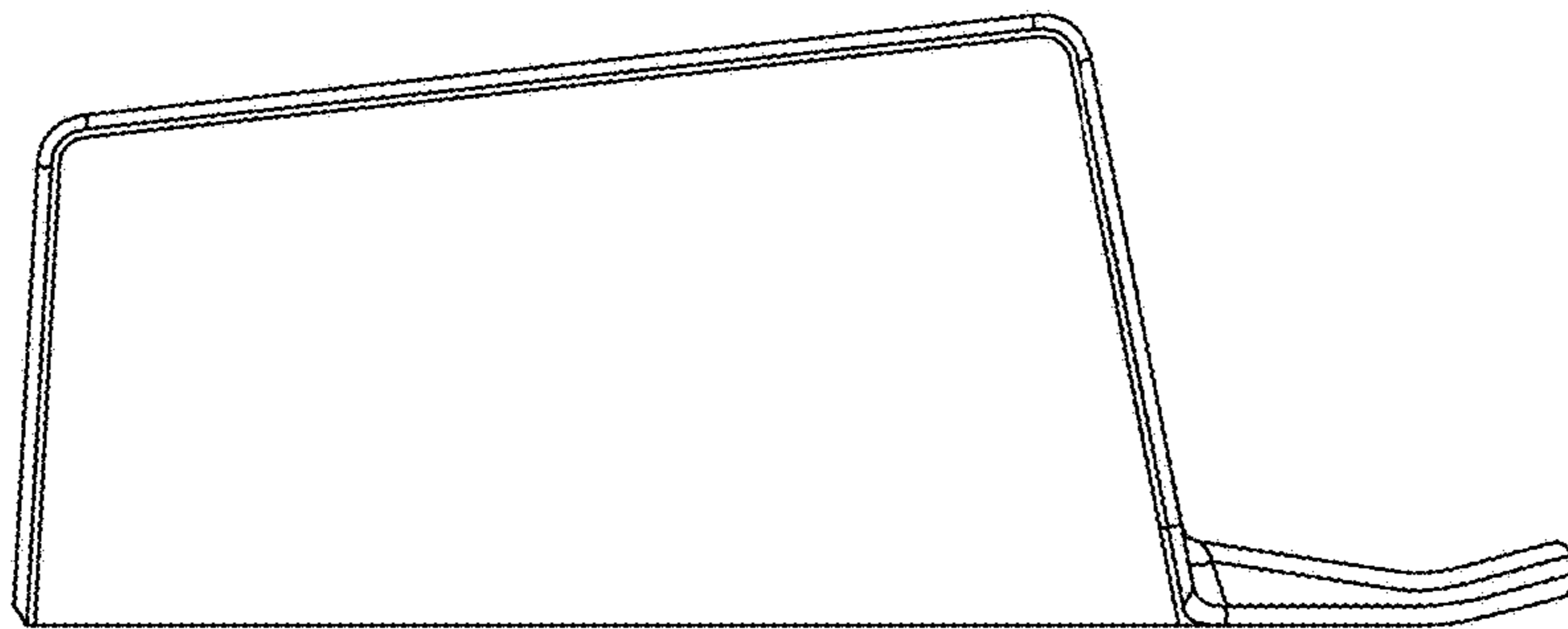


FIG. 6

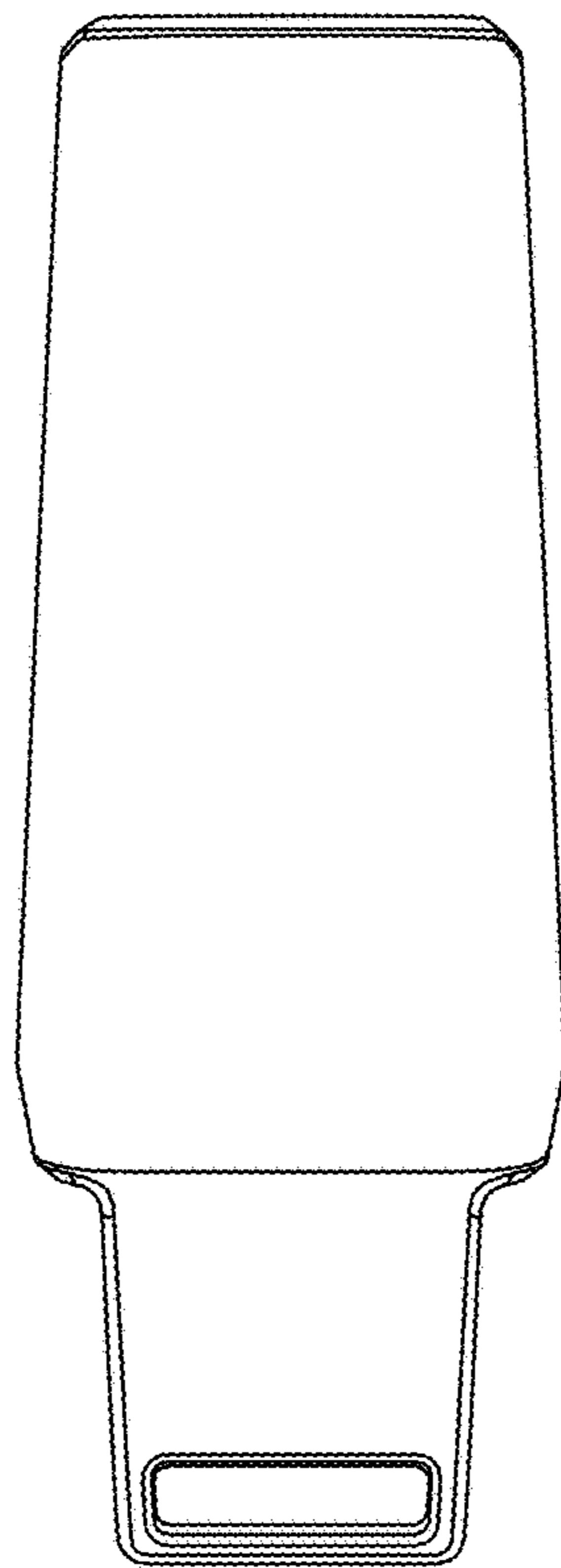


FIG. 7



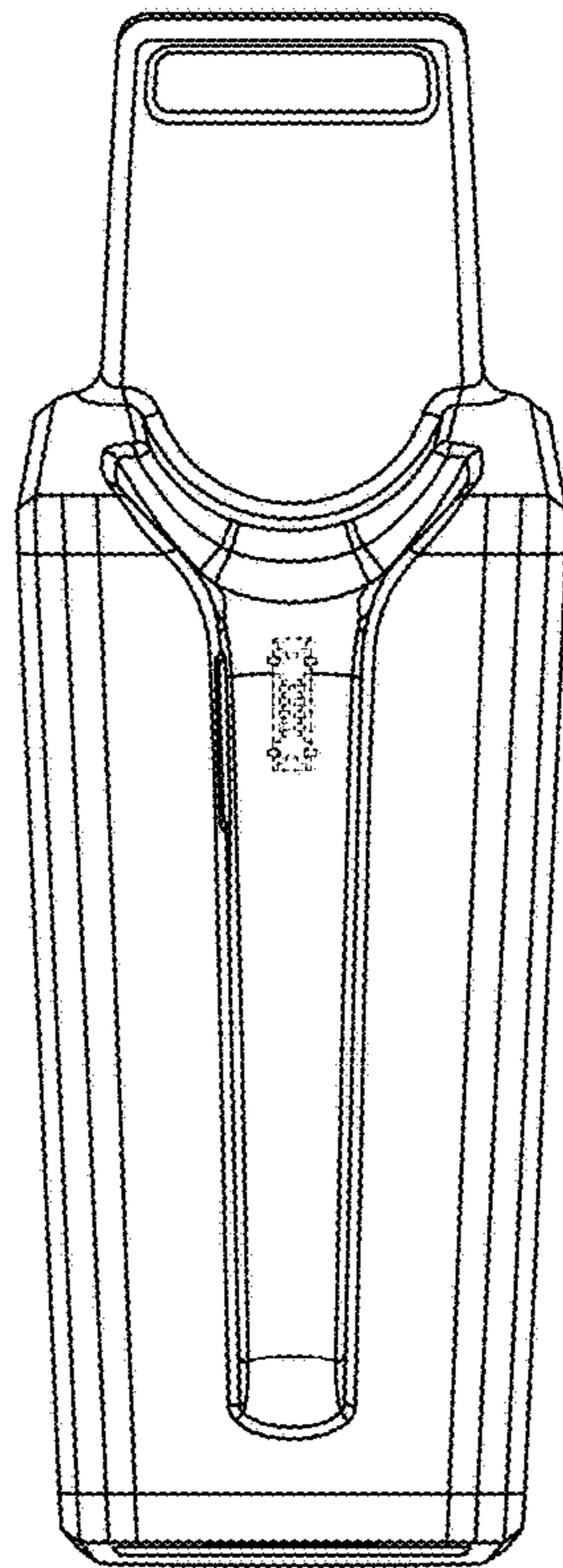


FIG. 8