



US00D868449S

(12) **United States Design Patent** (10) **Patent No.:** **US D868,449 S**
Siegenthaler (45) **Date of Patent:** **** Dec. 3, 2019**

- (54) **BASE FOR PARASOLS**
- (71) Applicant: **Glatz AG**, Frauenfeld (CH)
- (72) Inventor: **Robert Siegenthaler**, Bülach (CH)
- (73) Assignee: **Glatz AG**, Frauenfeld (CH)
- (**) Term: **15 Years**
- (21) Appl. No.: **29/698,156**
- (22) Filed: **Jul. 15, 2019**

Related U.S. Application Data

- (62) Division of application No. 35/505,483, filed on Feb. 12, 2018 (U.S. filing date under 35 U.S.C. 384), and having an international filing date of Feb. 12, 2018.
- (51) **LOC (12) Cl.** **03-03**
- (52) **U.S. Cl.**
USPC **D3/10**
- (58) **Field of Classification Search**
USPC D3/5, 10, 13, 16; D6/521, 708; D11/155
CPC . A45B 2200/1063; A45B 25/00; E04H 12/22;
E04H 12/2238; E04H 12/2246
See application file for complete search history.

(56) **References Cited**

U.S. PATENT DOCUMENTS

- D156,439 S * 12/1949 Lebensfeld D6/708
- D635,806 S * 4/2011 Bodum D6/521
- D644,559 S * 9/2011 Hashimoto D11/143
- 9,540,840 B2 * 1/2017 Ma F16M 13/00
- D817,631 S * 5/2018 Weng D3/10
- 10,100,969 B1 * 10/2018 Zhu E04H 12/2238
- D833,136 S * 11/2018 Ma D3/10
- 2004/0177871 A1 * 9/2004 Harbaugh A45B 19/10
135/20.1
- 2007/0080277 A1 * 4/2007 Chen E04H 12/2246
248/354.3
- 2008/0224016 A1 * 9/2008 Defu E04H 12/2246
248/523

- 2012/0024330 A1 * 2/2012 Ma A45B 23/00
135/16
- 2017/0114563 A1 * 4/2017 Ye A45B 11/00
- 2018/0334828 A1 * 11/2018 Pan E04H 12/2246

FOREIGN PATENT DOCUMENTS

- WO D099889-001 * 8/2018
- WO D099889-002 * 8/2018

OTHER PUBLICATIONS

Roller base Z (available online) Retrieved from the internet Aug. 23, 2019 from URL: (/de/schirme/sortiment/alu-twist).*

Base with castors M4, (available online) Retrieved from the internet Aug. 23, 2019 from URL: (/en/products/product-range/pendalex-plus).*

* cited by examiner

Primary Examiner — Kevin K Rudzinski
Assistant Examiner — Richard Kearney
 (74) *Attorney, Agent, or Firm* — Smartpat PLC

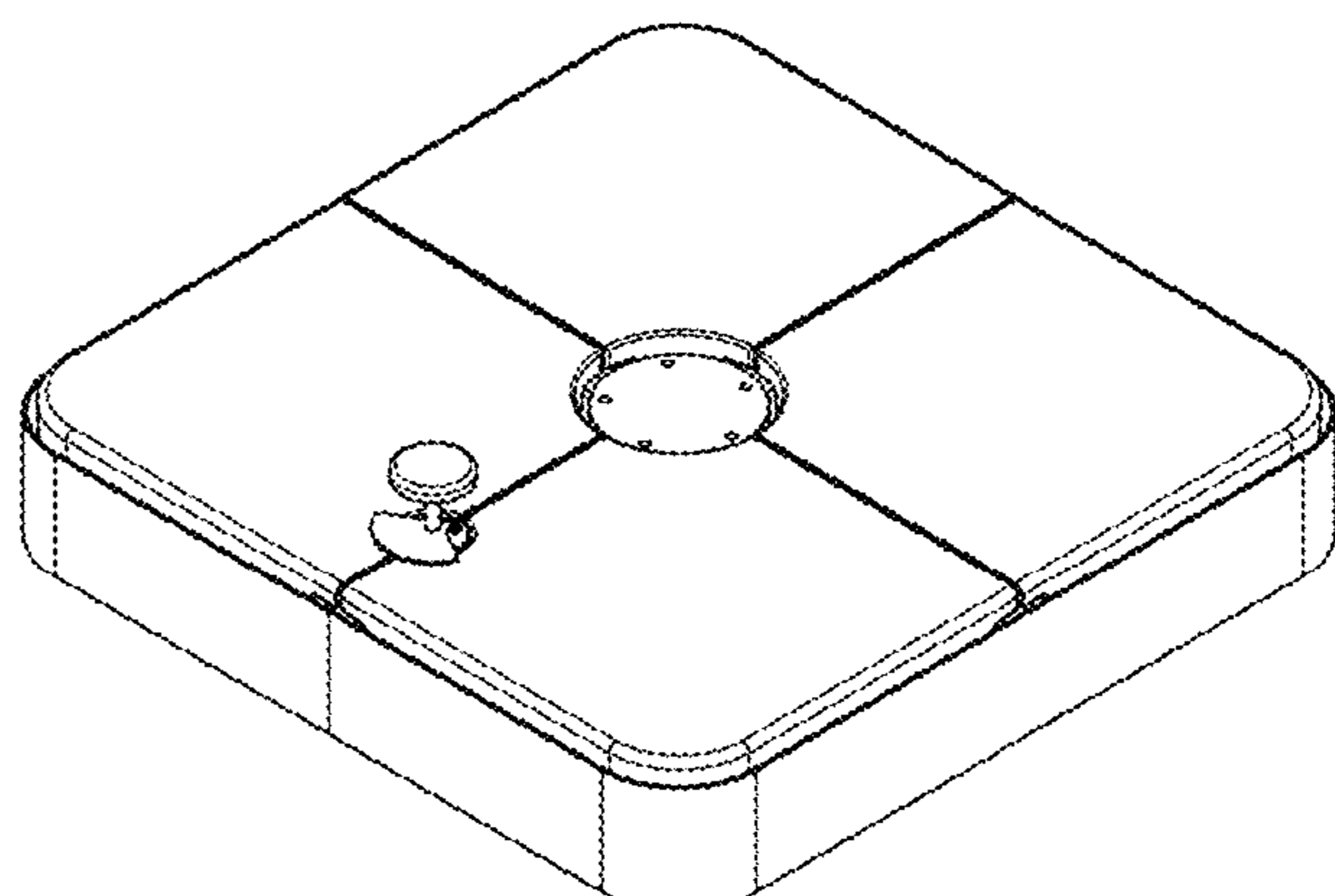
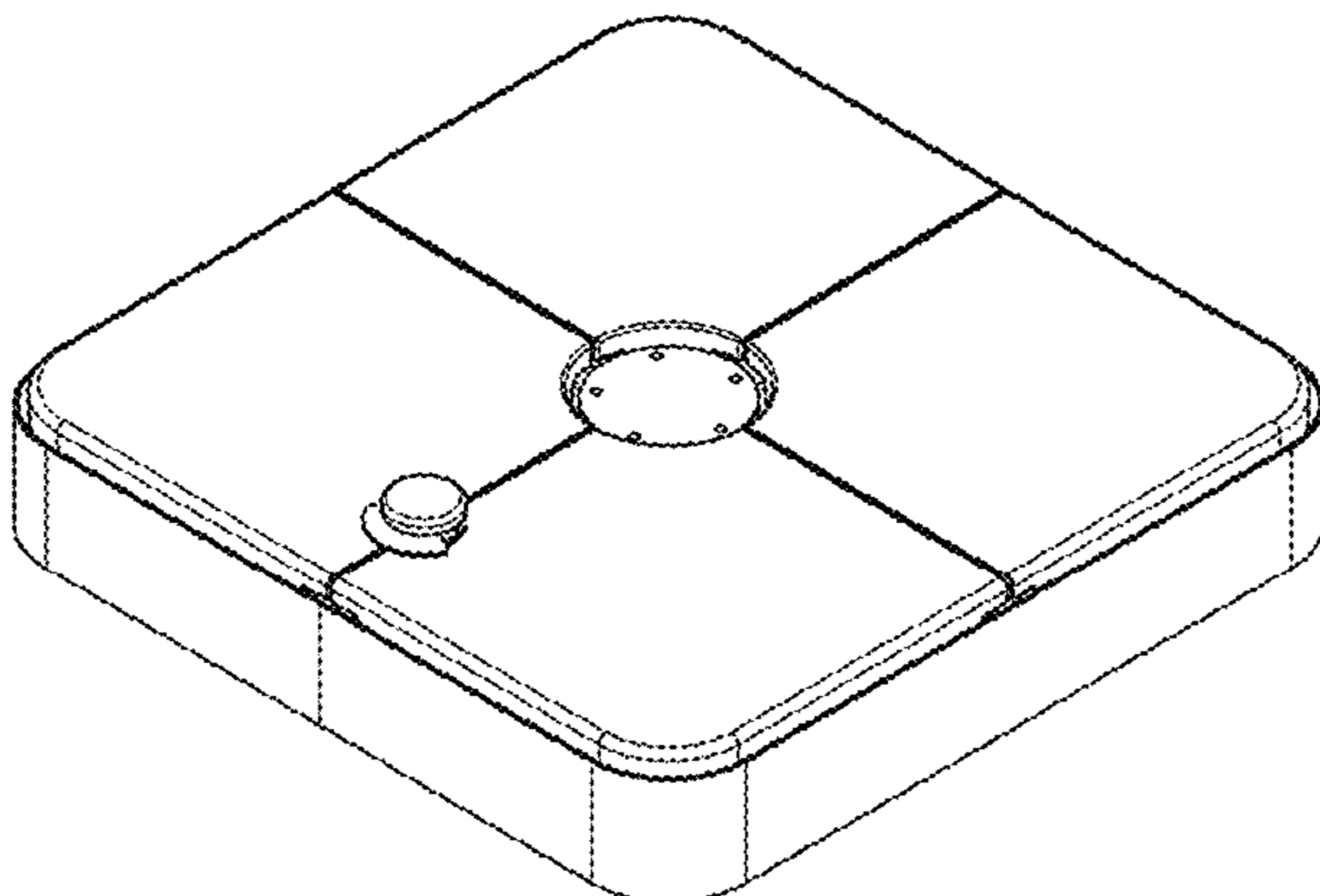
(57) **CLAIM**

I claim the ornamental design for a base for parasols, as shown and described.

DESCRIPTION

FIG. 1 is a front view of a base for parasols in a first configuration;
 FIG. 2 is a rear view thereof;
 FIG. 3 is a left side view thereof;
 FIG. 4 is a right side view thereof;
 FIG. 5 is a top view thereof;
 FIG. 6 is a bottom view thereof;
 FIG. 7 is a top, front, right side perspective view thereof;
 and,
 FIG. 8 is a top, front, right side perspective view showing the base for parasols in a second configuration.

1 Claim, 5 Drawing Sheets



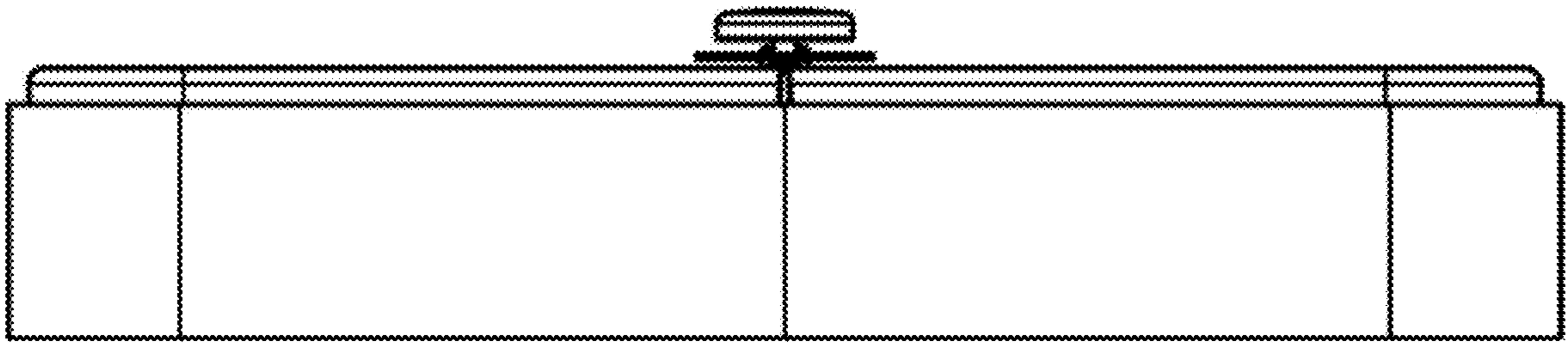


FIG. 1

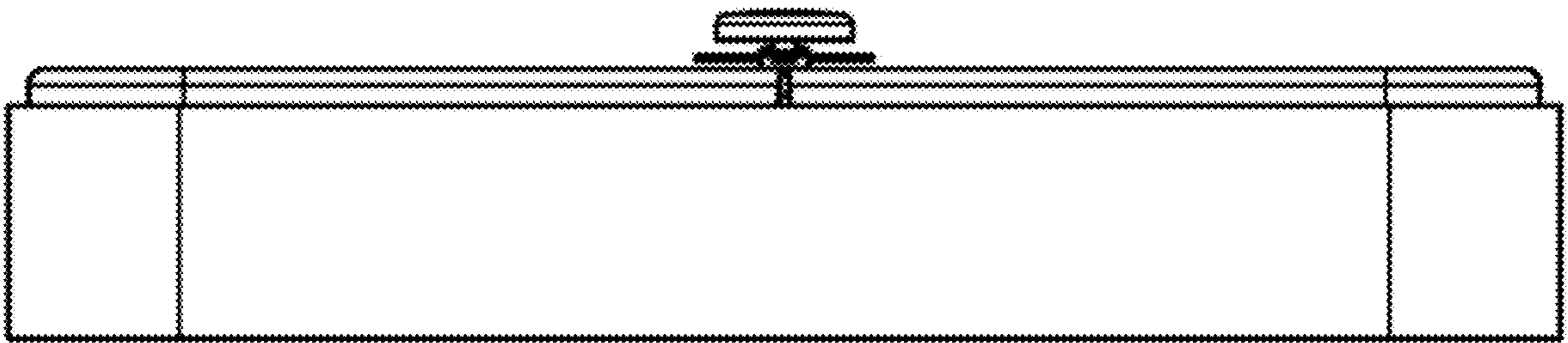


FIG. 2

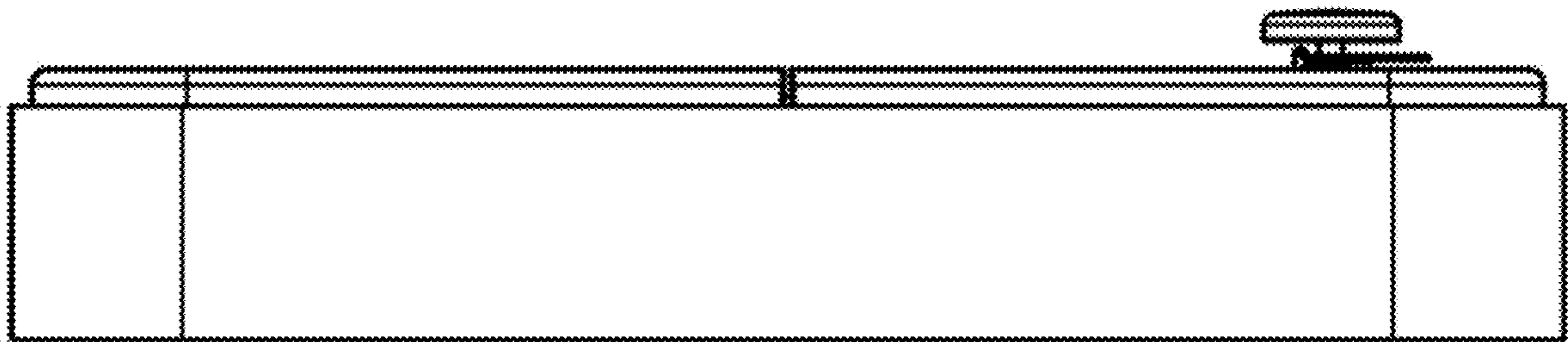


FIG. 3

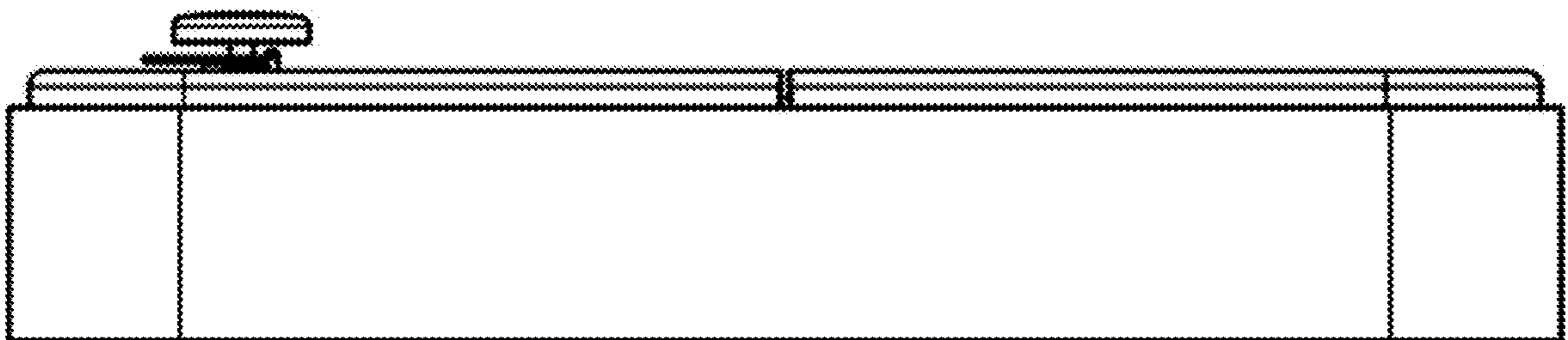


FIG. 4

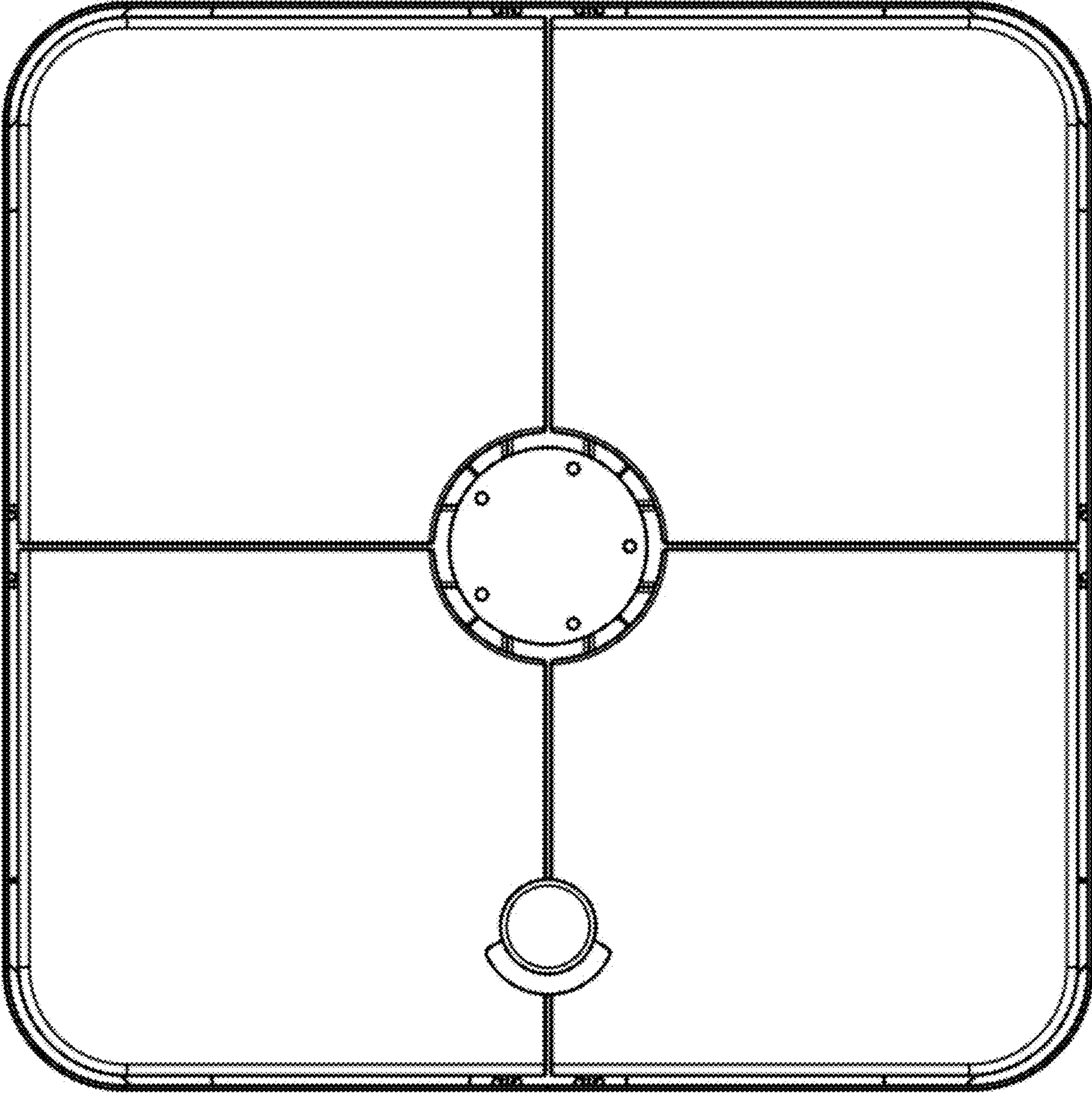


FIG. 5

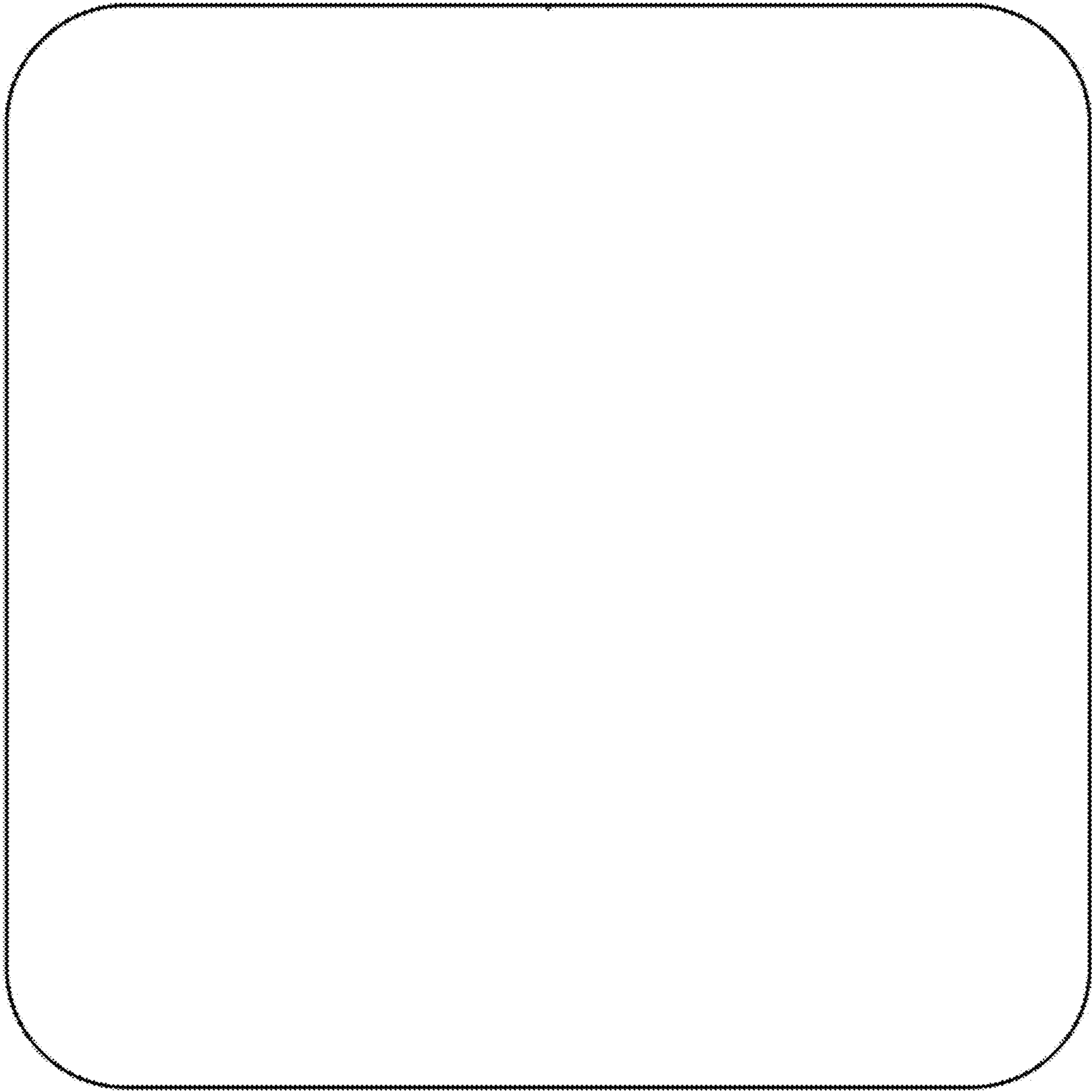


FIG. 6

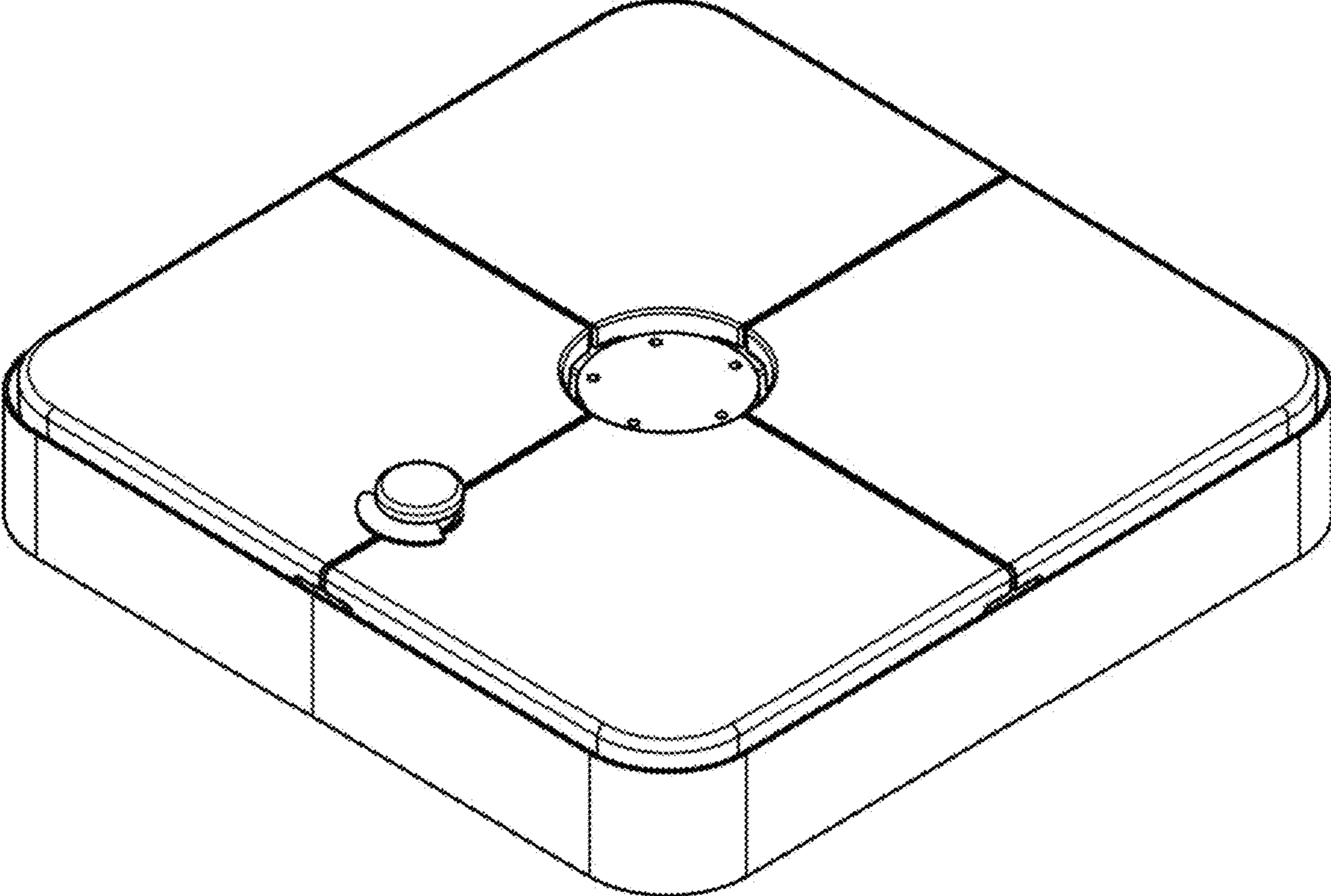


FIG. 7

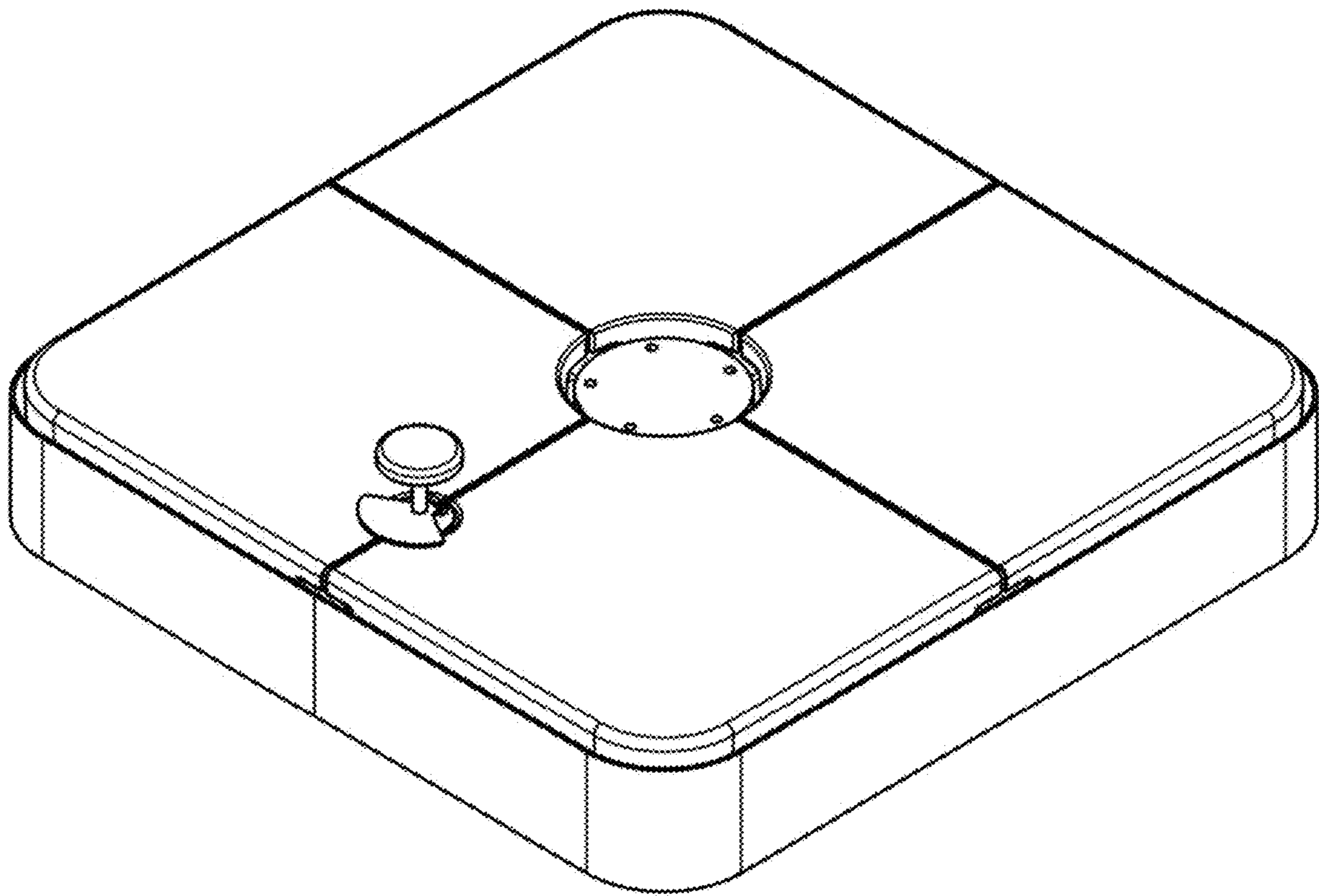


FIG. 8