



US00D868431S

(12) **United States Design Patent** (10) **Patent No.:** **US D868,431 S**
Wu (45) **Date of Patent:** **** Dec. 3, 2019**

- (54) **BALLET SHOE**
- (71) Applicant: **Zejun Wu**, Fujian (CN)
- (72) Inventor: **Zejun Wu**, Fujian (CN)
- (**) Term: **15 Years**
- (21) Appl. No.: **29/646,637**
- (22) Filed: **May 7, 2018**
- (51) **LOC (12) Cl.** **02-04**
- (52) **U.S. Cl.**
USPC **D2/907**; D2/902; D2/919; D2/925
- (58) **Field of Classification Search**
USPC D2/896, 900, 902, 907, 909, 913, 914,
D2/919, 946, 969, 980
CPC A43B 1/10; A43B 5/18; A43B 1/00; A43B
5/00
See application file for complete search history.

7,765,718 B2 * 8/2010 Wilkenfeld A43B 7/28
36/8.3
D727,000 S * 4/2015 Malkin D2/909
D859,792 S * 9/2019 Subatella Sanchez D2/902
2014/0259774 A1 * 9/2014 Minden A43B 3/26
36/97

FOREIGN PATENT DOCUMENTS

WO WO-2016154308 A1 * 9/2016 A43B 5/12

* cited by examiner

Primary Examiner — Rashida C. Walshon

(57) **CLAIM**

The ornamental design for a ballet shoe, as shown and described.

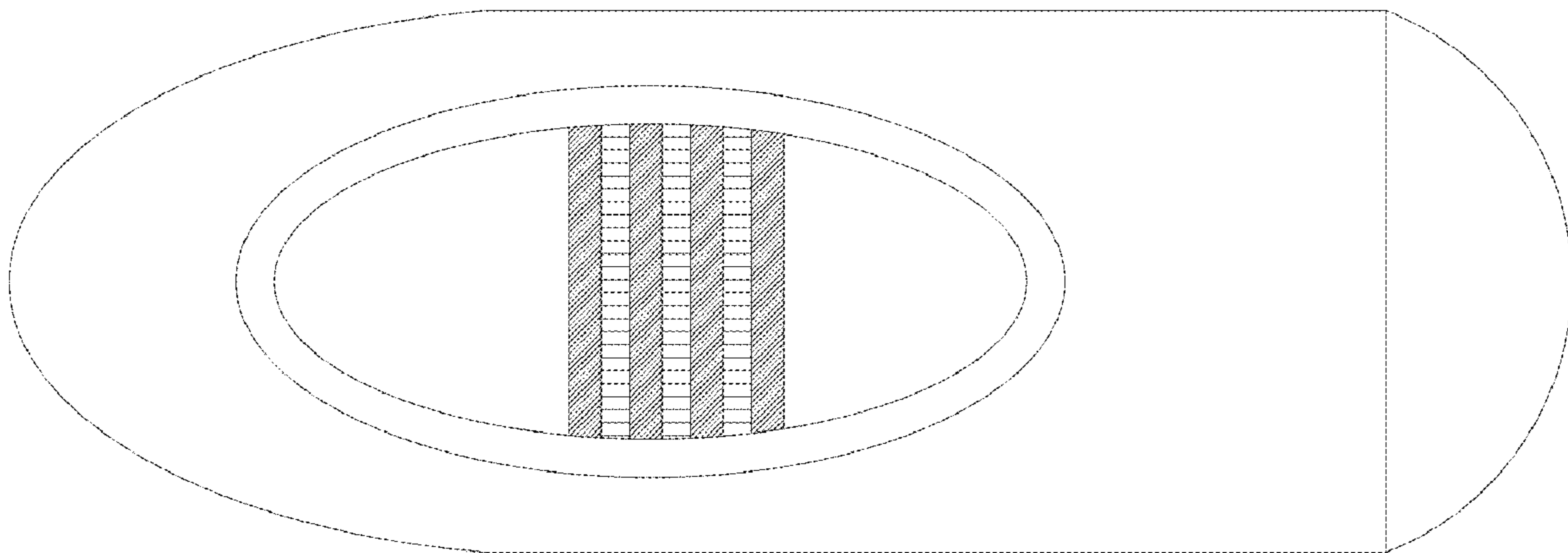
DESCRIPTION

FIG. 1 is a front elevational view of a ballet shoe showing my new design;
 FIG. 2 is a rear elevational view thereof;
 FIG. 3 is a right side view in enlarge scale thereof;
 FIG. 4 is a bottom plan view thereof;
 FIG. 5 is a perspective view thereof; and,
 FIG. 6 is another perspective view thereof.
 The broken lines shown illustrate environmental information only and do not form part of the claimed design.
 The left side view of the ballet shoe is the mirror image of the right side view; the top plan view of the ballet shoe is the mirror image of the bottom plan view.

1 Claim, 6 Drawing Sheets

(56) **References Cited**
U.S. PATENT DOCUMENTS

- RE33,018 E * 8/1989 Ostrander A43B 3/108
36/102
- 5,035,069 A * 7/1991 Minden A43B 5/12
36/113
- 6,895,693 B2 * 5/2005 Baruck A43B 5/12
36/8.3
- D519,721 S * 5/2006 Castillo A43B 5/12
D2/909



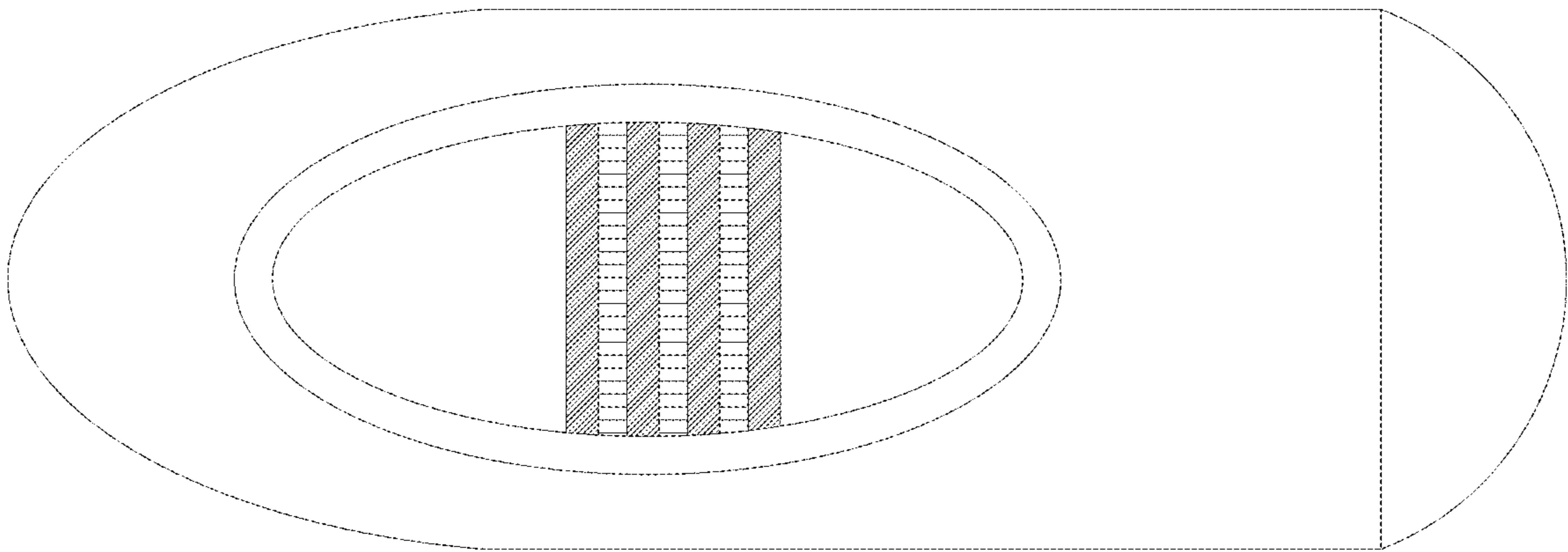


Fig. 1

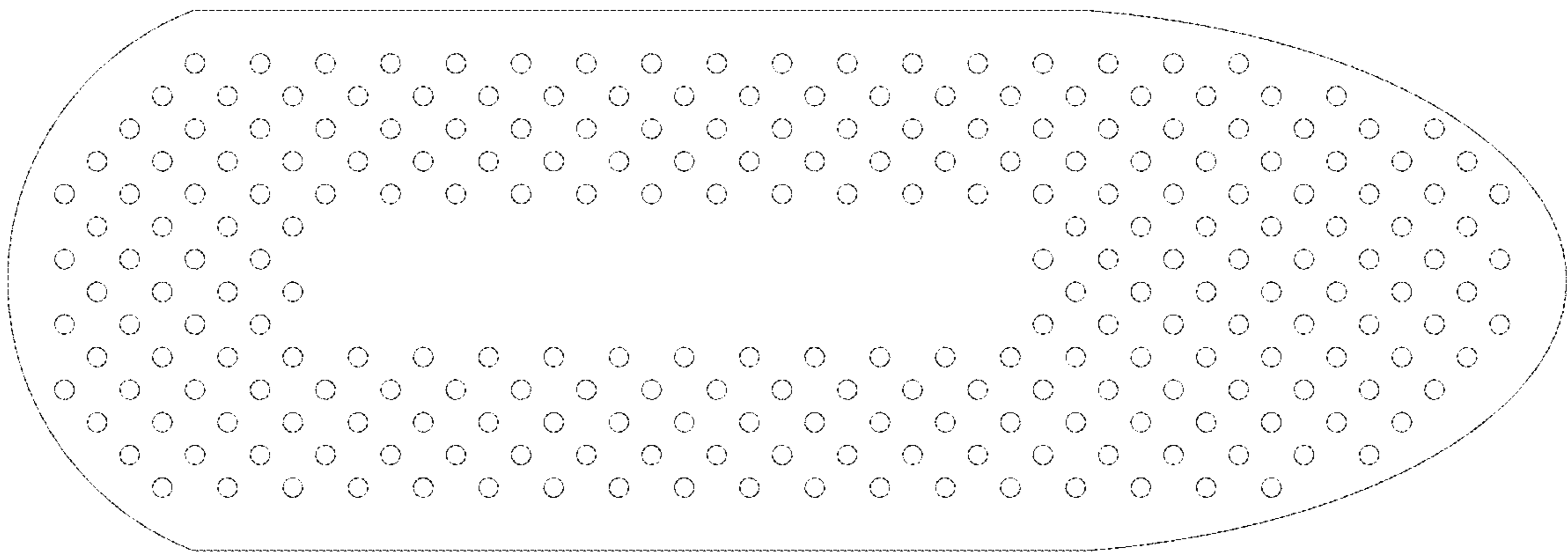


Fig. 2

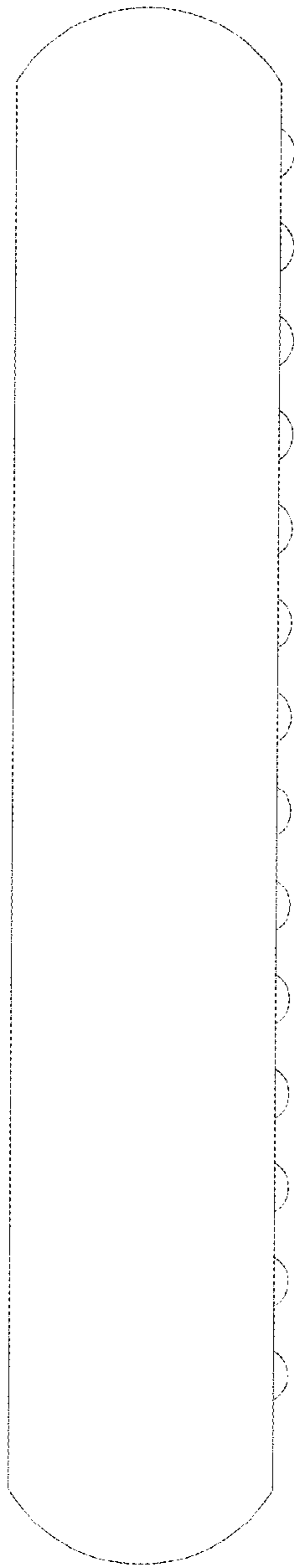


Fig. 3

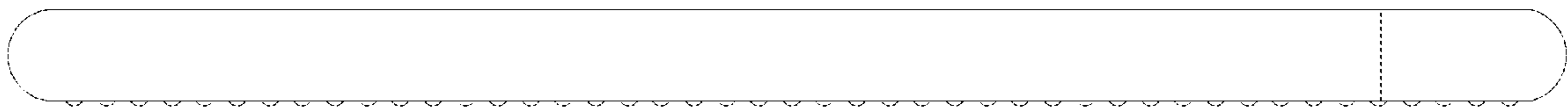


Fig.4

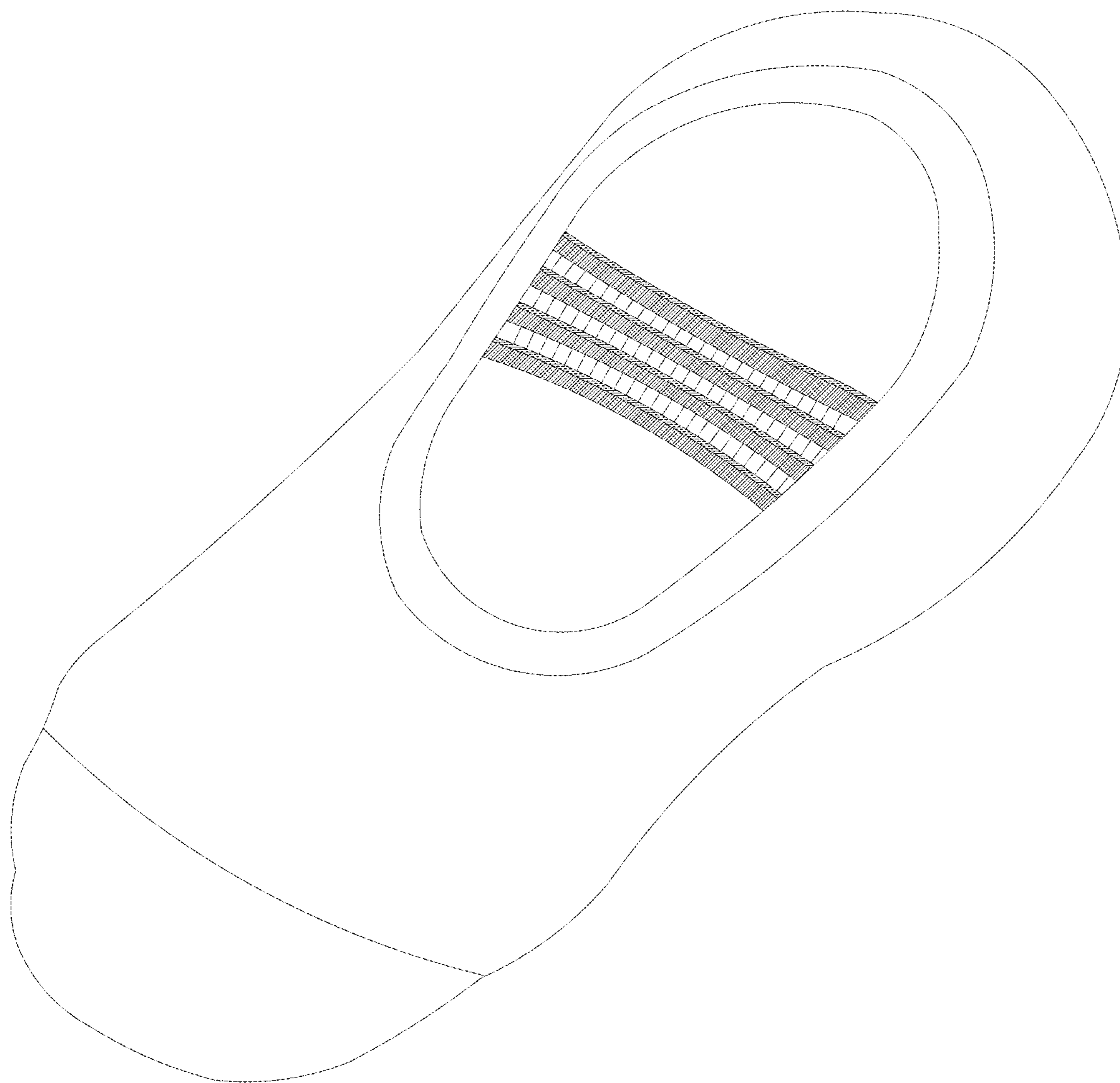


Fig.5

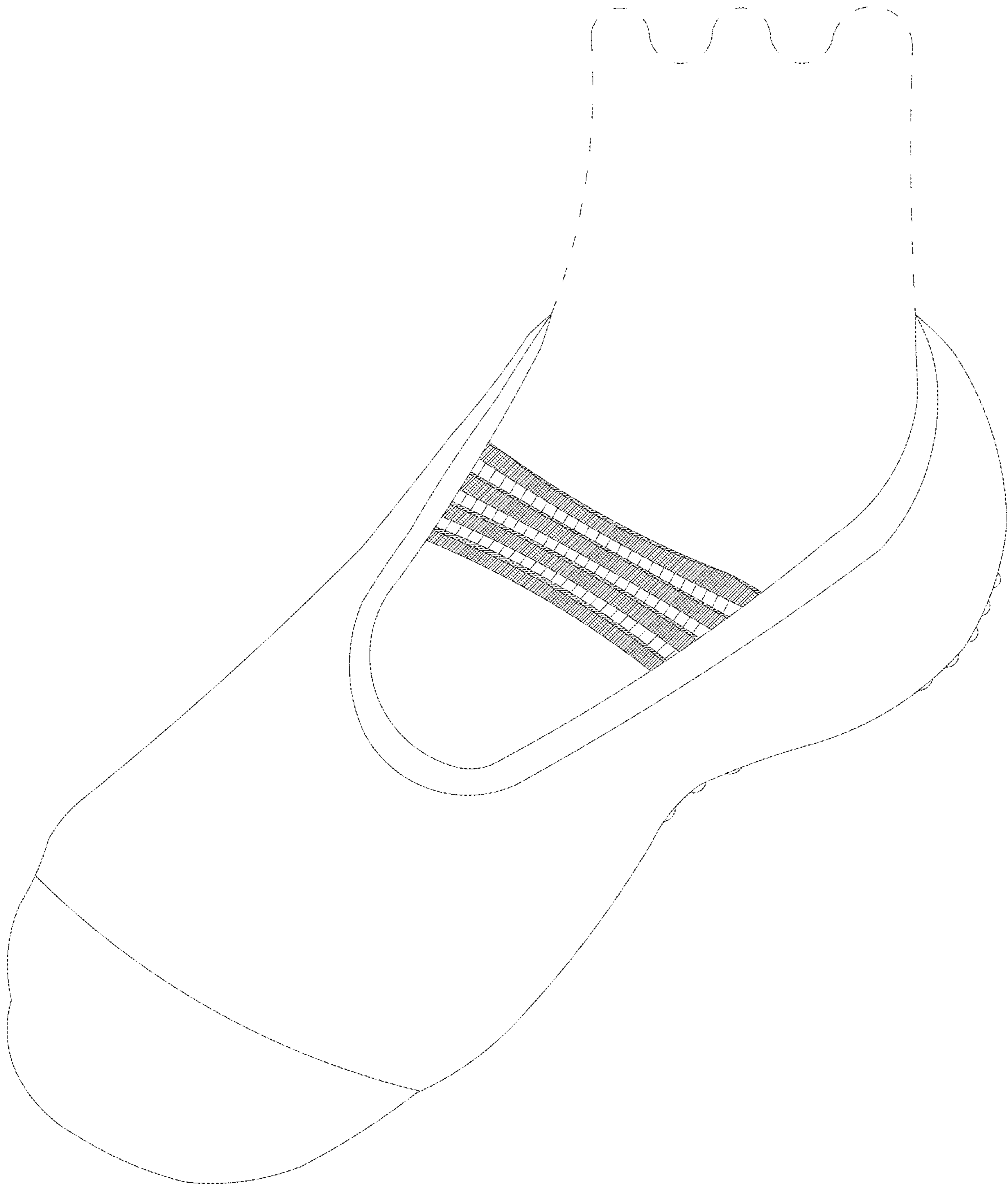


Fig.6