



US00D868429S

(12) **United States Design Patent**
Hogard et al.

(10) **Patent No.:** **US D868,429 S**

(45) **Date of Patent:** **** Dec. 3, 2019**

(54) **CAP WITH POCKETS**

(71) Applicants: **Dustin Wayne Hogard**, Madisonville, TX (US); **Nicholas Charles Blackman**, Houston, TX (US)

(72) Inventors: **Dustin Wayne Hogard**, Madisonville, TX (US); **Nicholas Charles Blackman**, Houston, TX (US)

(**) Term: **15 Years**

(21) Appl. No.: **29/627,431**

(22) Filed: **Nov. 27, 2017**

(51) **LOC (12) Cl.** **02-03**

(52) **U.S. Cl.**
USPC **D2/891**

(58) **Field of Classification Search**
USPC D2/865, 866, 869, 871, 872, 873, 876, D2/879, 882, 886, 891, 893
CPC A42B 1/00; A42B 1/004; A42B 1/006; A42B 1/02; A42B 1/06; A42B 1/061; A42B 1/062; A42B 1/063; A42B 1/24; A42B 1/241

See application file for complete search history.

(56) **References Cited**

U.S. PATENT DOCUMENTS

D321,581 S *	11/1991	Li	D14/192
6,023,788 A *	2/2000	McCallum	A42B 1/241
				2/181
D443,406 S *	6/2001	Jebaily	D2/882
D456,118 S *	4/2002	Hill	D2/866
D488,292 S *	4/2004	Haggberg	D2/866
D496,145 S *	9/2004	Lacey	D2/866
D549,931 S *	9/2007	Melton	D2/882
D571,982 S *	7/2008	Kirby	D2/882
D601,330 S *	10/2009	Bishop	D2/882

D689,671 S *	9/2013	Porti	D2/891
D705,526 S *	5/2014	Clark	D2/866
D758,704 S *	6/2016	Cooney	D2/882
2008/0016602 A1 *	1/2008	Baldwin	A42B 1/241
				2/209.13

OTHER PUBLICATIONS

An EDC Hat with Hidden Pockets . . . , [on-line video]; [video published to the Internet on Mar. 9, 2016]; [retrieved from the Internet on Oct. 31, 2018]; URL: https://www.youtube.com/watch?v=xrK_x5FgCAo. (4 pgs). (Year: 2016).*

(Continued)

Primary Examiner — Karen S Acker

Assistant Examiner — Jasmine Mlinarcik

(74) *Attorney, Agent, or Firm* — Buche & Associates, P.C.; John K. Buche; Scott D. Compton

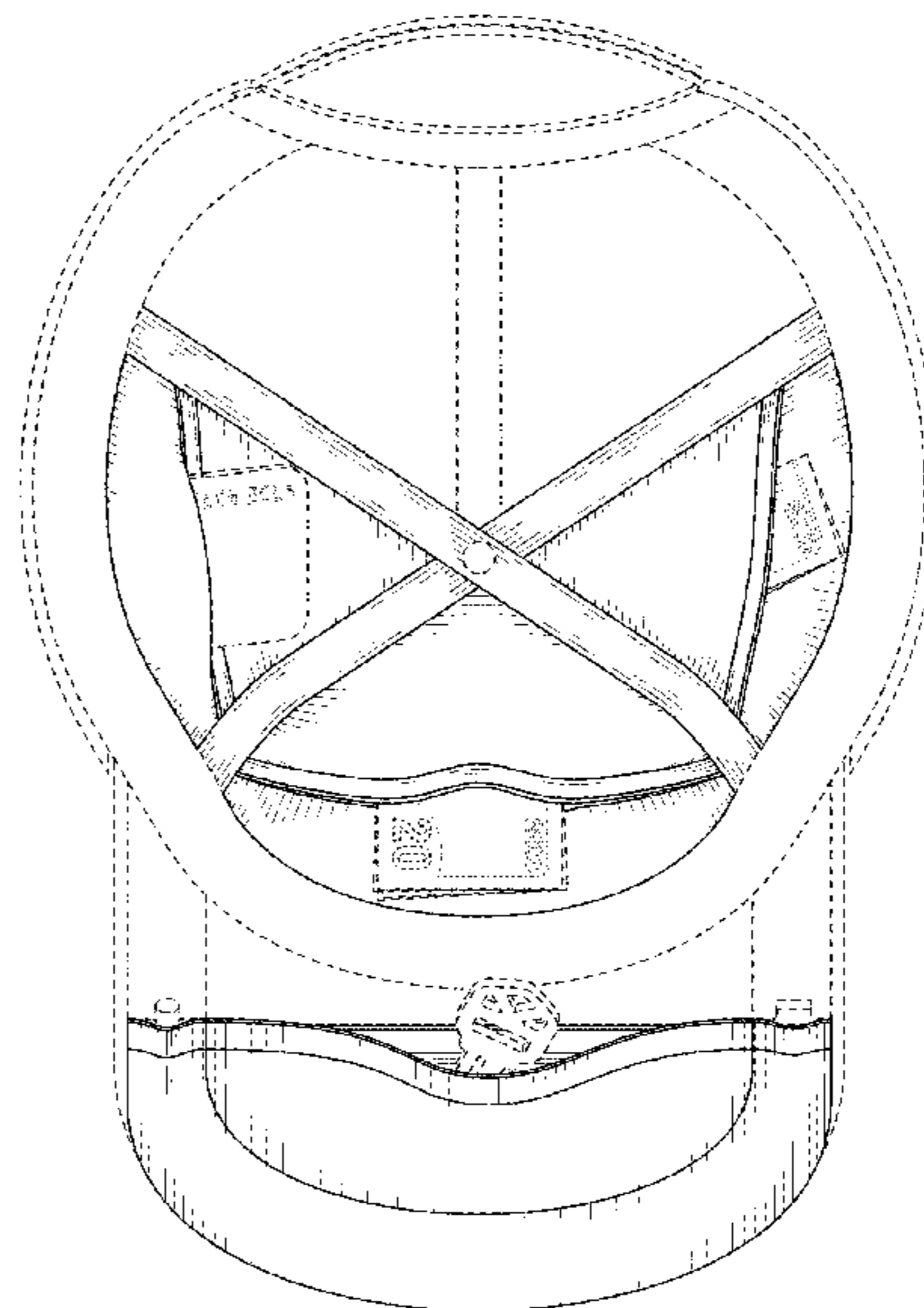
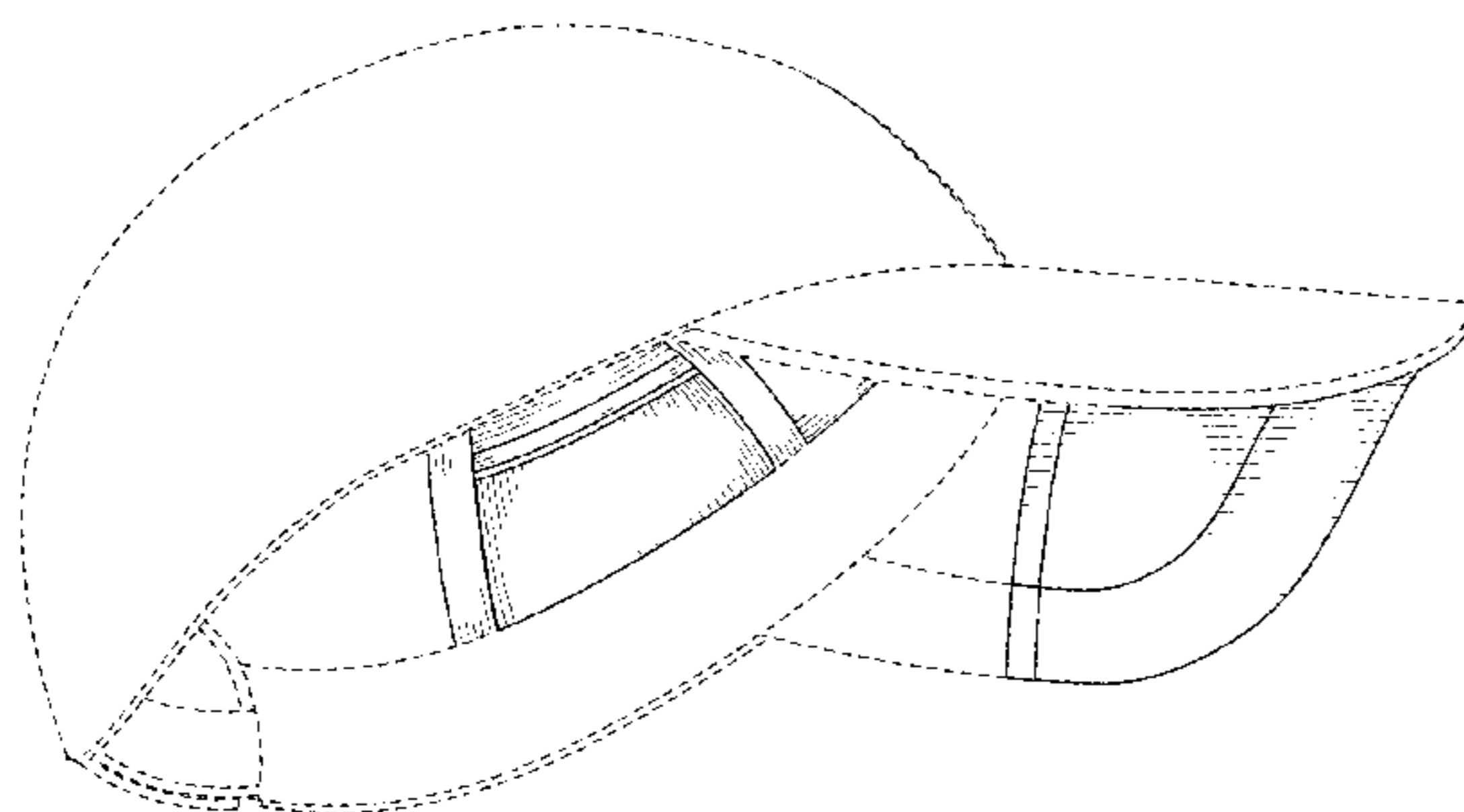
(57) **CLAIM**

The ornamental design for a a cap with pockets, as shown and described.

DESCRIPTION

FIG. 1 is a plan view of a cap with pockets_showing our new design;
FIG. 2 is a back perspective view of the cap with pockets;
FIG. 3 is a front perspective view of the cap with pockets;
FIG. 4 is a rear view of the cap with pockets;
FIG. 5 is a side perspective view of the cap with pockets; and,
FIG. 6 is a plan view thereof as it may appear when in use. The broken lines and areas adjacent to areas of the cap defined by shading are portions of the cap with pockets that form no part of the claimed design. In FIG. 6, articles drawn in broken line inserted within folds of the claimed cap with pockets are environmental material which forms no part of the claimed design.

1 Claim, 4 Drawing Sheets



(56)

References Cited

OTHER PUBLICATIONS

Cache Cap Blackticol Version, [on-line]; [review published to the Internet on Jan. 22, 2018]; [retrieved from the Internet on Oct. 31, 2018]; URL: <https://www.wazoosurvivalgear.com/cache-cap-blackticol-version/>. (2 pgs). (Year: 2018).*

* cited by examiner

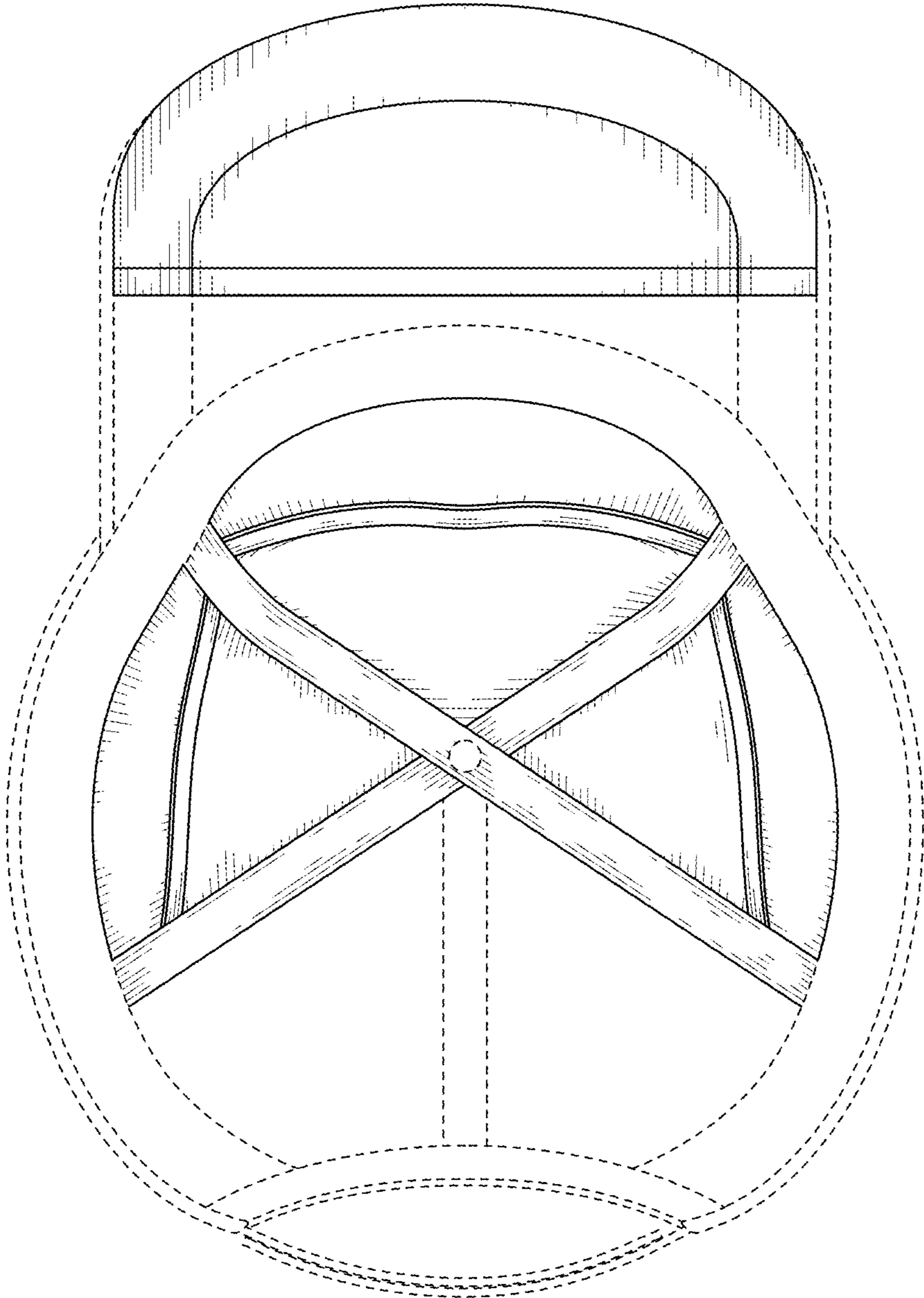


FIG. 1

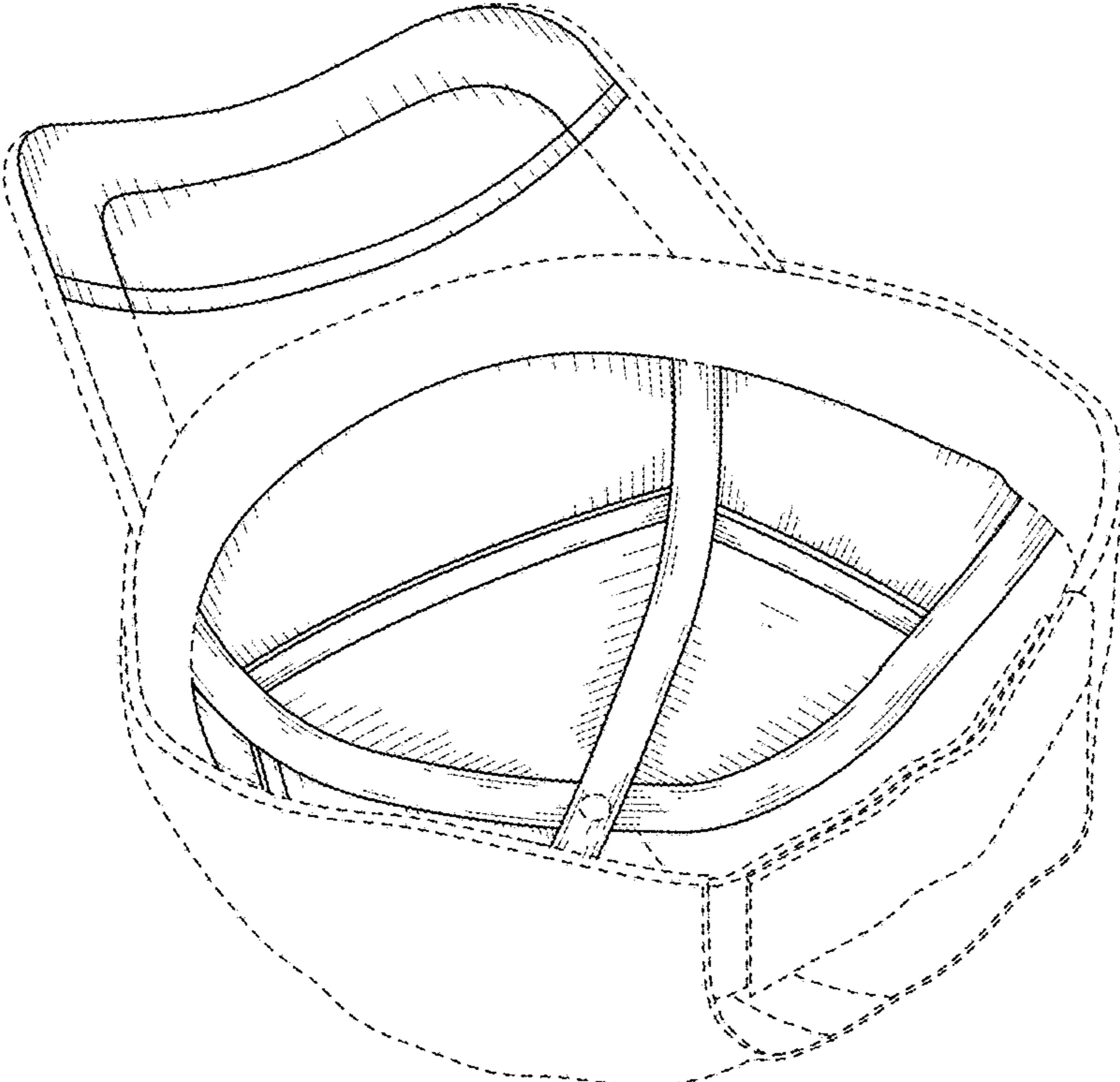


FIG. 2

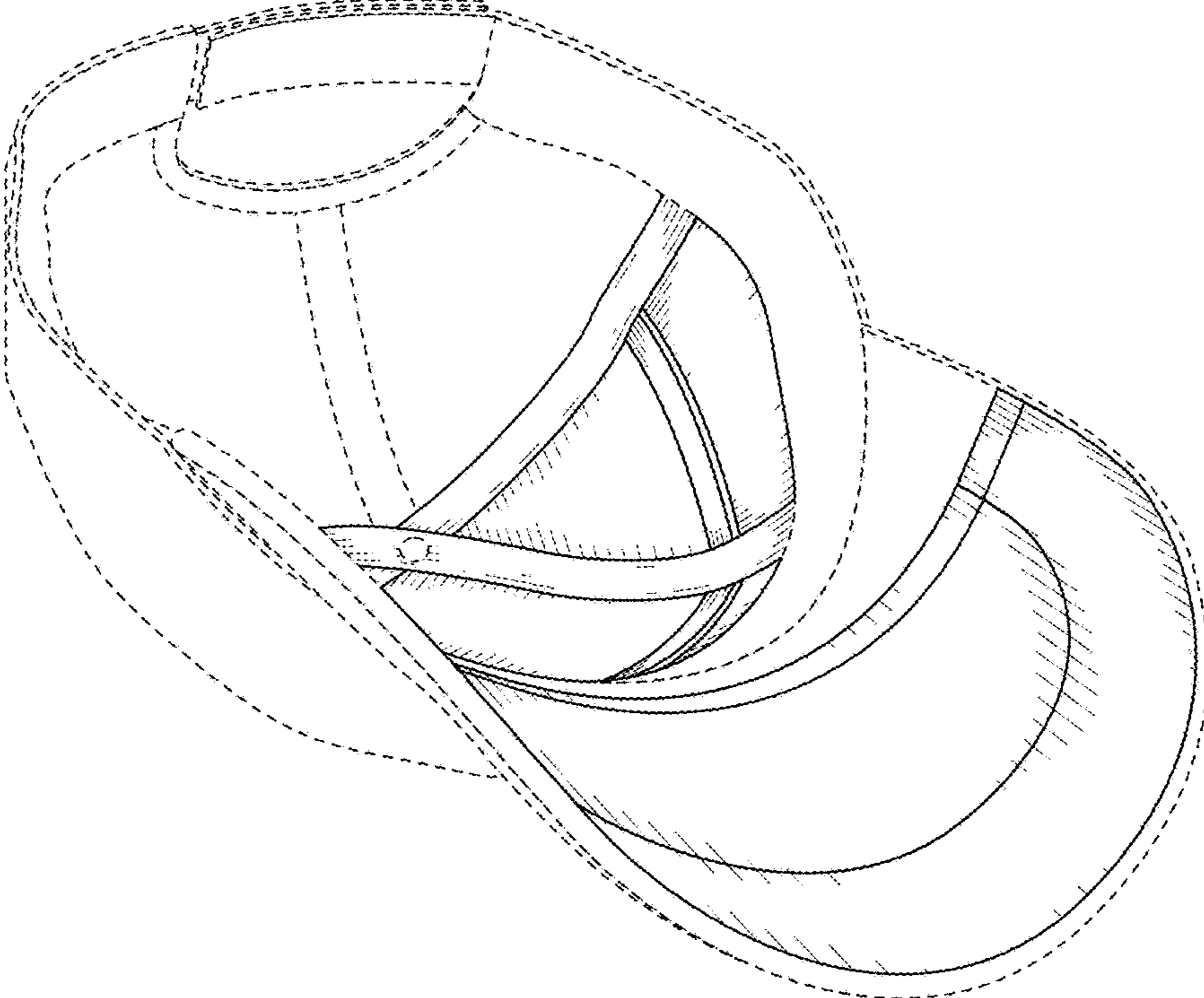


FIG. 3

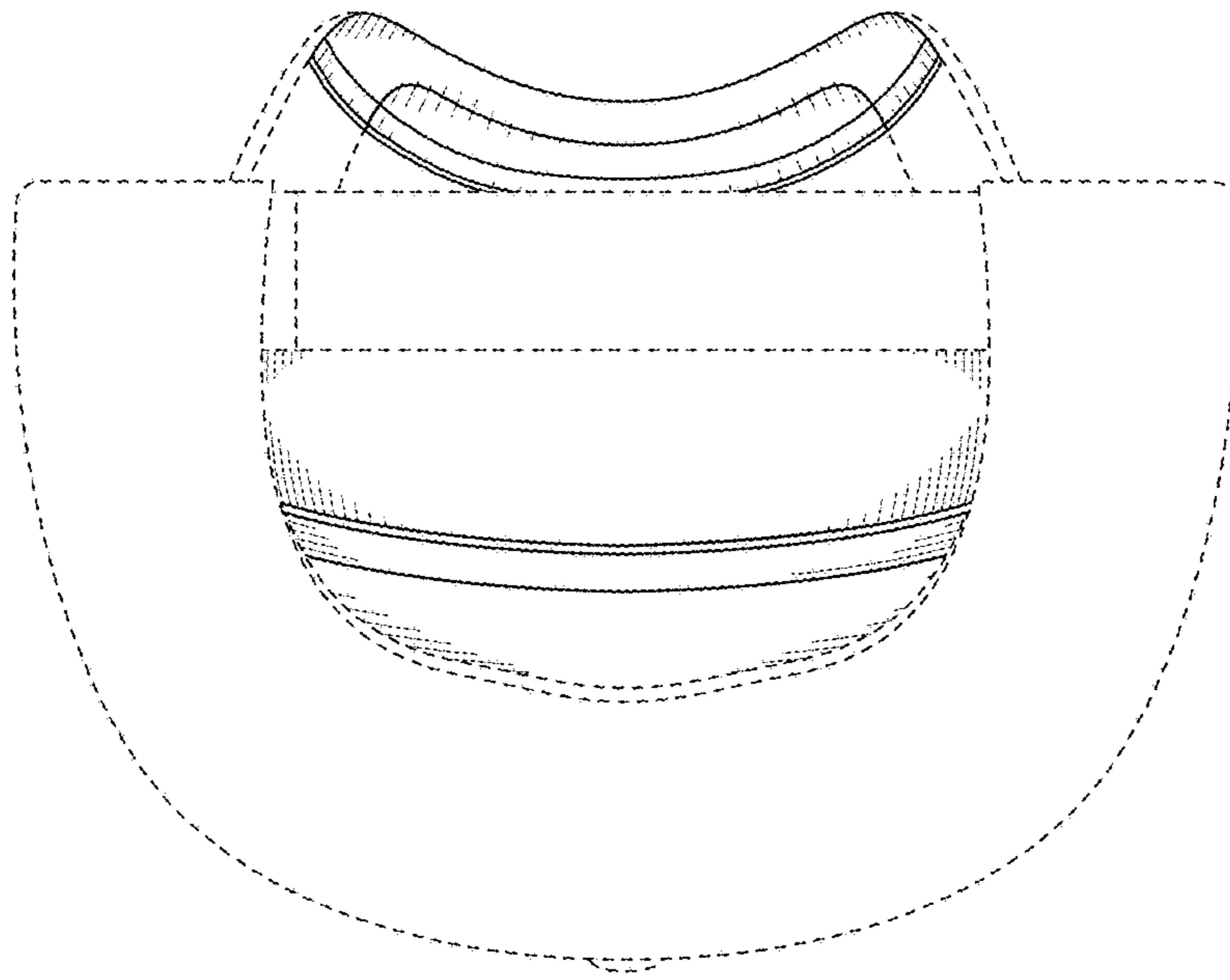


FIG. 4

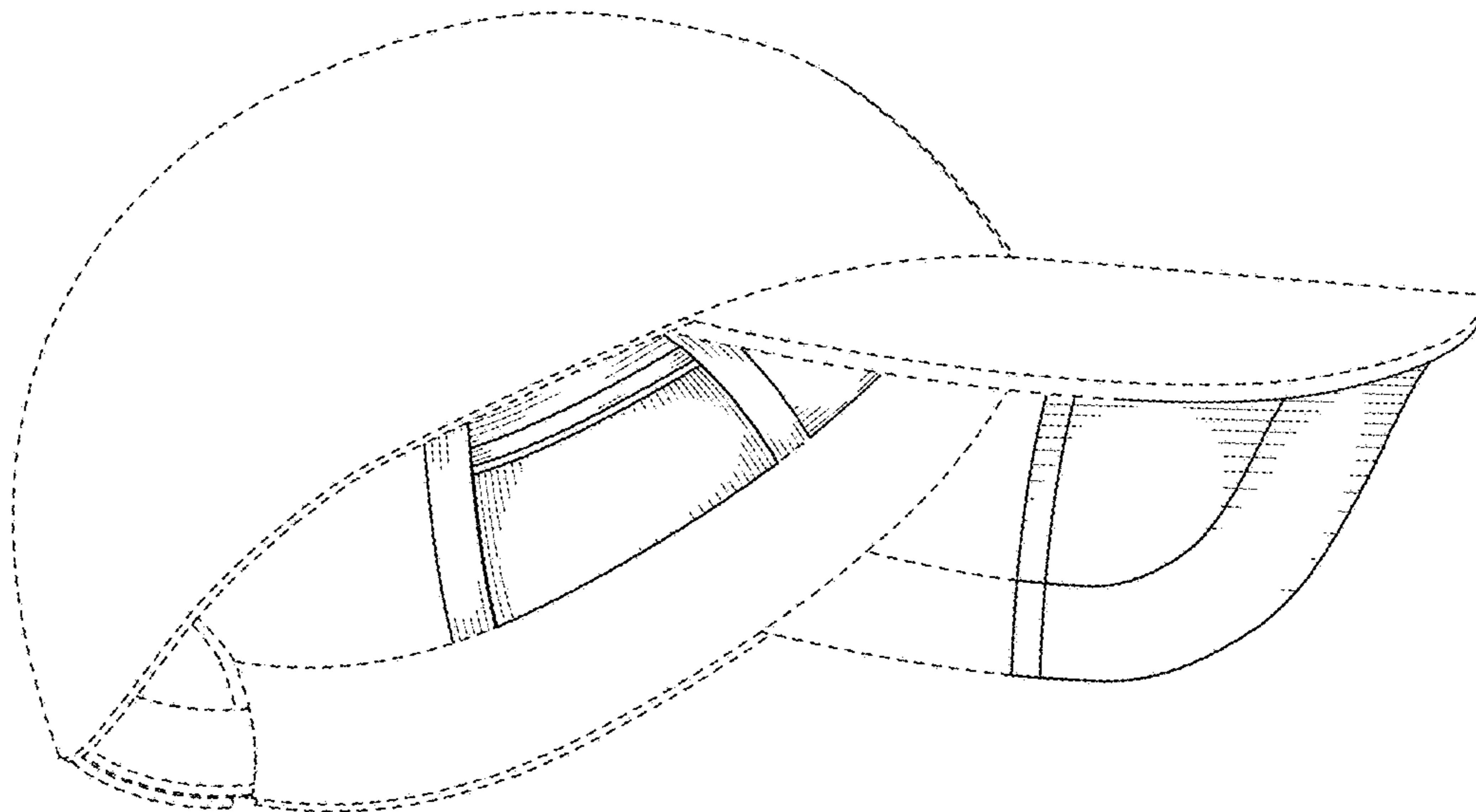


FIG. 5

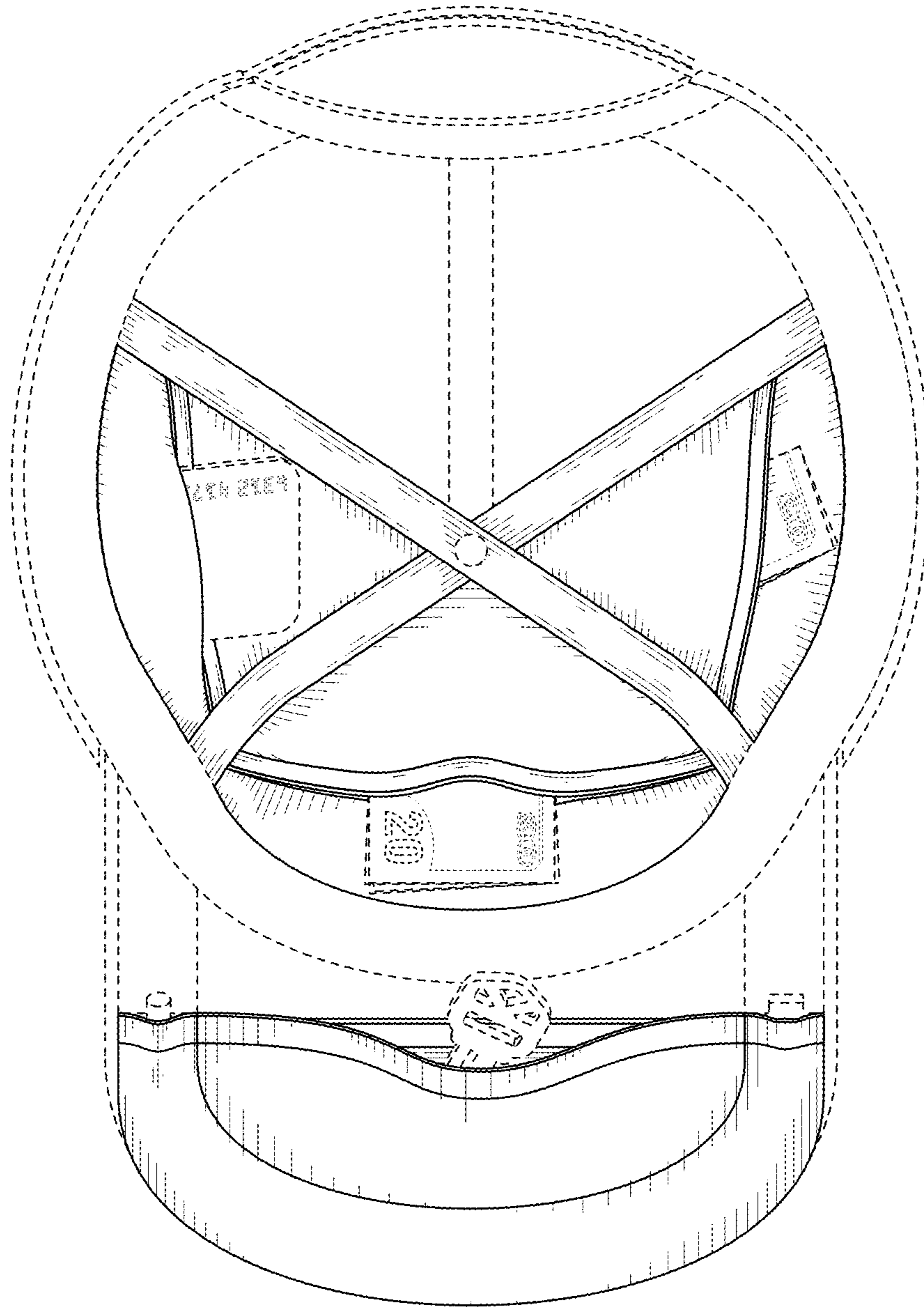


FIG. 6