



US00D868427S

(12) **United States Design Patent**
Meissner

(10) **Patent No.:** **US D868,427 S**

(45) **Date of Patent:** **** Dec. 3, 2019**

- (54) **GARMENT CINCHING DEVICE**
- (71) Applicant: **Tara Meissner**, Laguna Niguel, CA (US)
- (72) Inventor: **Tara Meissner**, Laguna Niguel, CA (US)
- (**) Term: **15 Years**
- (21) Appl. No.: **29/648,598**
- (22) Filed: **May 22, 2018**
- (51) **LOC (12) Cl.** **02-02**
- (52) **U.S. Cl.**
USPC **D2/853**
- (58) **Field of Classification Search**
USPC D2/624–629, 631, 636–640, 701, 583, D2/855, 859; D3/224, 226; D11/200; D24/190; D30/152
CPC .. A41F 9/025; A41F 9/02; A41F 9/007; A41F 9/002; A41F 9/00; A41F 5/00; A41F 3/04; A41F 3/02; A41F 3/00; A41F 15/00; A41F 11/16; A41F 11/14; A41F 11/08; A41F 11/02; A41F 11/00; A41F 1/08; A41F 1/002; A41F 17/02; A41F 19/005; A45F 2003/144; A44C 25/00
See application file for complete search history.

(56) **References Cited**

U.S. PATENT DOCUMENTS

- 2,637,887 A * 5/1953 Goodman A44C 5/2071 24/303
- 7,320,156 B1 * 1/2008 Slayton A41B 13/10 24/298
- 7,793,518 B1 * 9/2010 Holleman A41F 19/00 2/1
- D702,936 S * 4/2014 Burkett A41F 19/00 D3/203.5
- 8,985,408 B2 * 3/2015 Lloyd H01F 7/0252 223/91

- D792,129 S * 7/2017 Best A41B 13/10 D6/624
- D810,403 S * 2/2018 Grenville D2/853
- D831,936 S * 10/2018 Gladden A44C 5/2071 D2/853
- 2010/0083699 A1 * 4/2010 Conigliaro A44C 15/003 63/1.18
- 2011/0239702 A1 * 10/2011 Best A44C 15/003 63/1.18
- 2012/0077416 A1 * 3/2012 Xu A41F 15/00 450/86
- 2012/0291233 A1 * 11/2012 Wilkinson A41F 15/00 24/302
- 2013/0173501 A1 * 7/2013 Wrubel A44C 1/00 705/500
- 2014/0130312 A1 * 5/2014 Jamroz A41F 1/002 24/455

(Continued)

Primary Examiner — Kevin K Rudzinski
Assistant Examiner — Clare Ann Gannon

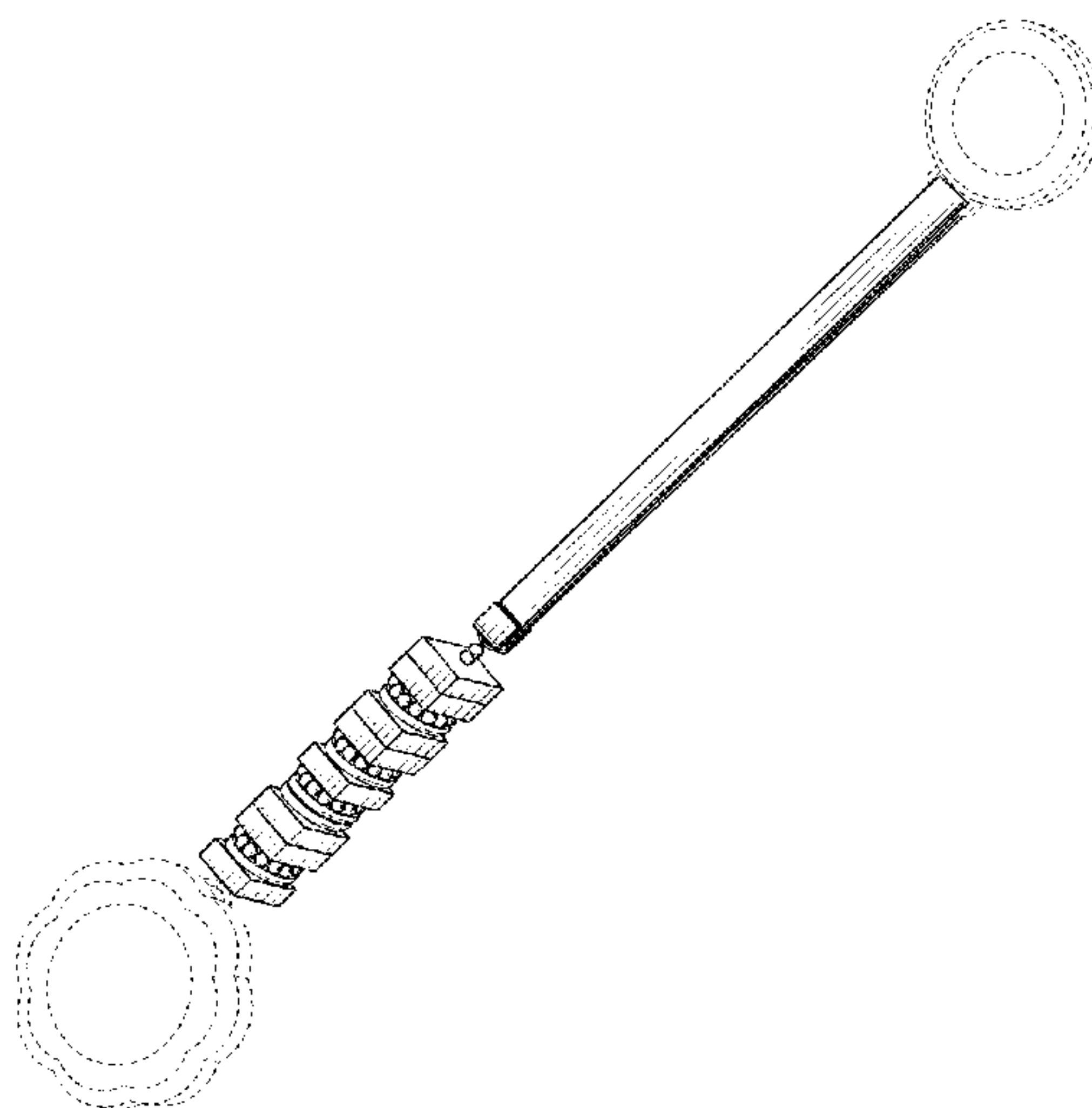
(57) **CLAIM**

The ornamental design for a garment cinching device, as shown and described.

DESCRIPTION

FIG. 1 is a perspective view of a garment cinching device showing my new design;
 FIG. 2 is a front view thereof;
 FIG. 3 is a back view thereof;
 FIG. 4 is a side view thereof;
 FIG. 5 is an opposite side view thereof;
 FIG. 6 is a top view thereof; and,
 FIG. 7 is a bottom view thereof.
 In FIGS. 1-7 the broken lines showing of environmental structure for purposes of illustrating the garment cinching device in a condition of use.
 The broken lines and the structure they depict form no part of the claimed design.

1 Claim, 3 Drawing Sheets



(56)

References Cited

U.S. PATENT DOCUMENTS

2014/0223702 A1* 8/2014 Stevenson A41F 1/00
24/566
2016/0278463 A1* 9/2016 Stevenson A41F 19/00
2018/0295952 A1* 10/2018 Rachel A41F 9/007
2018/0332913 A1* 11/2018 Meissner A41F 1/002

* cited by examiner

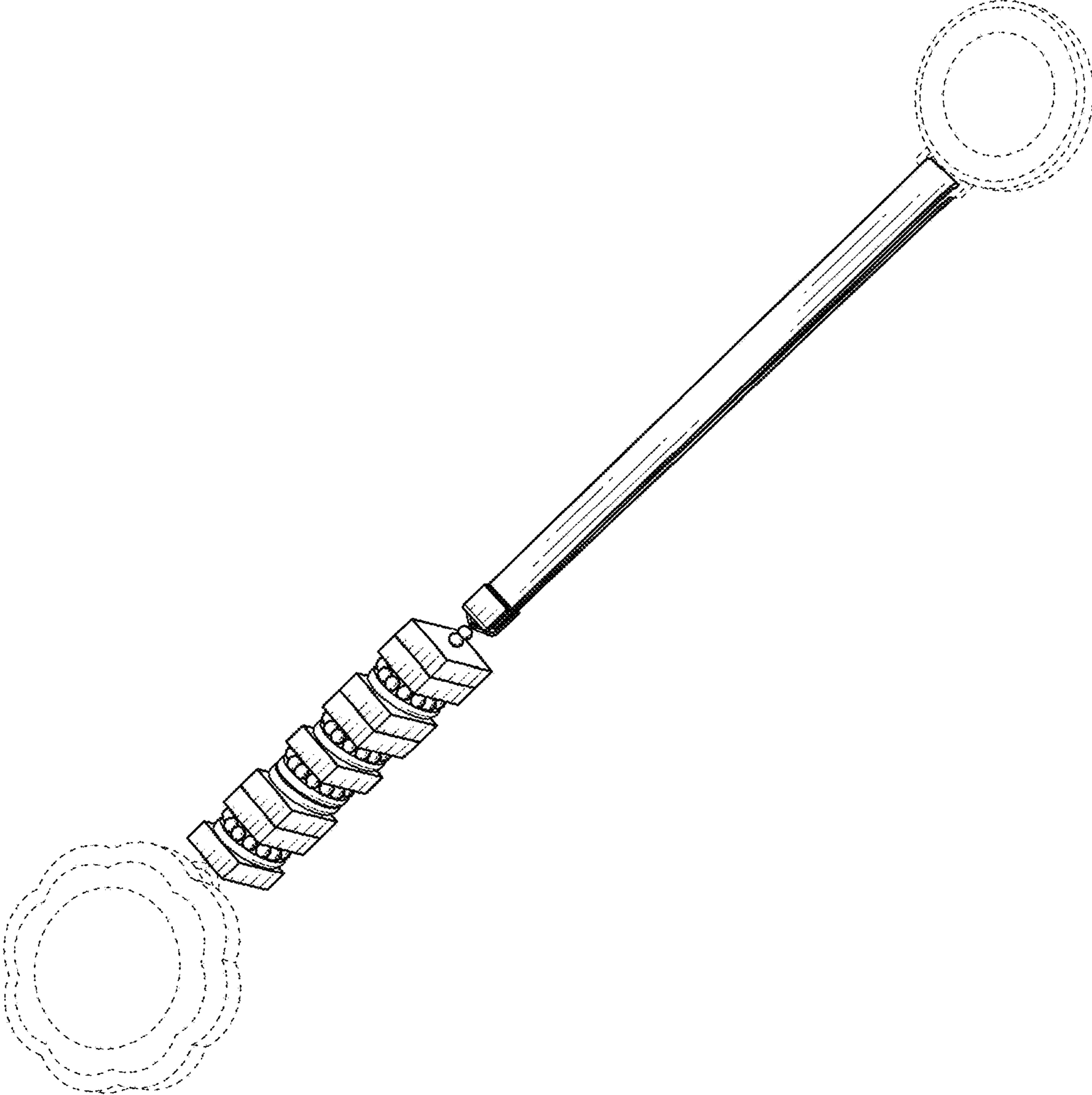


FIG. 1

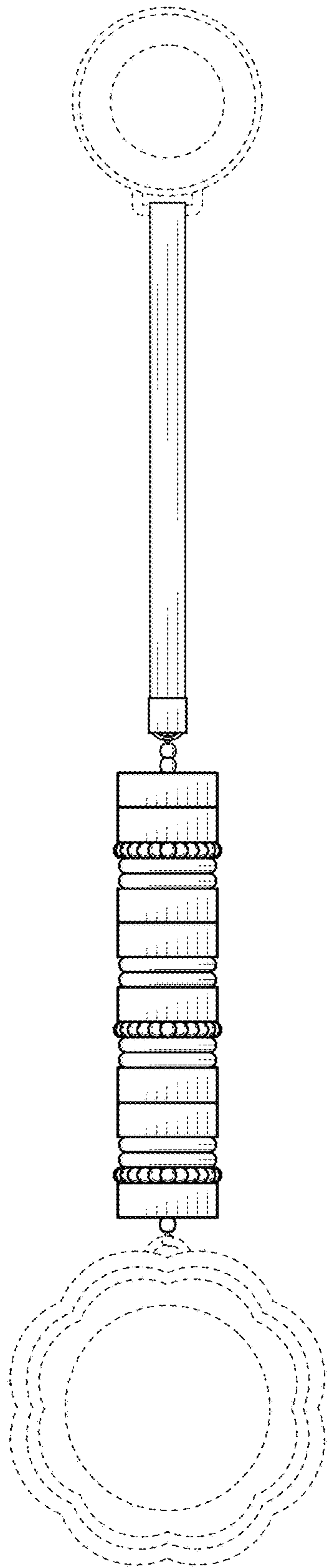


FIG. 2

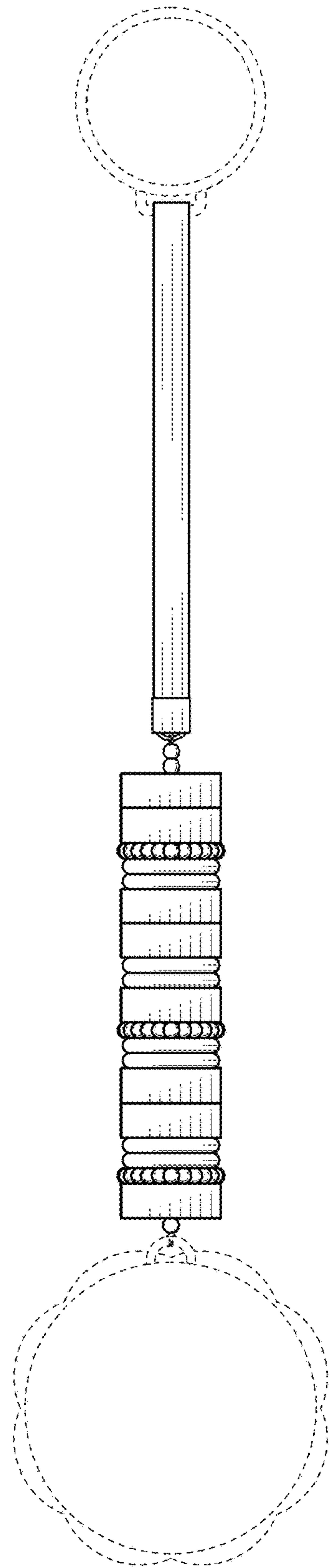


FIG. 3

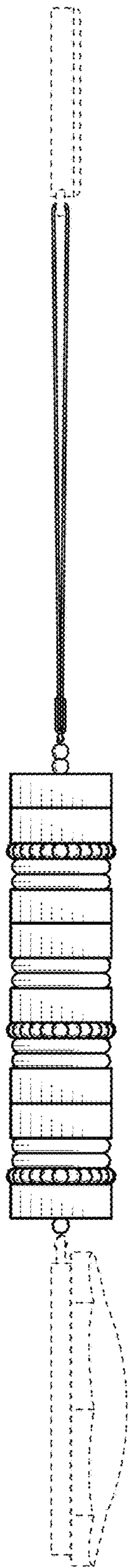


FIG. 4

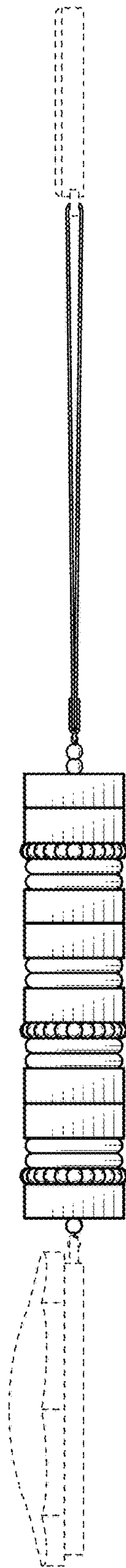


FIG. 5

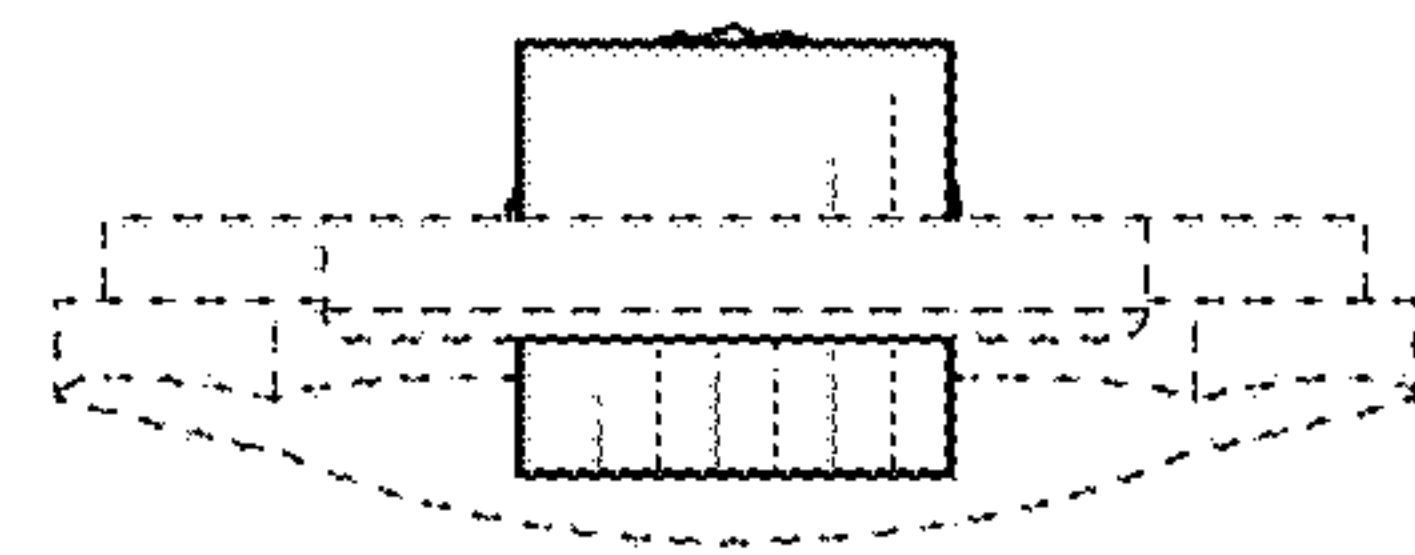


FIG. 6

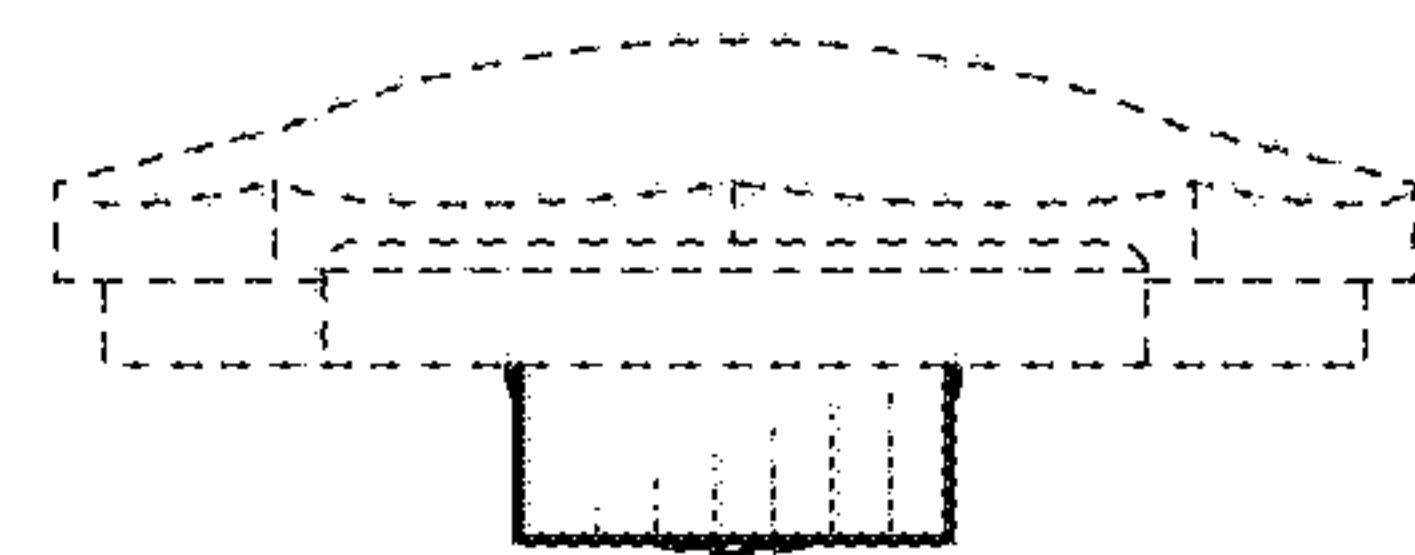


FIG. 7