



US00D868426S

(12) **United States Design Patent** (10) **Patent No.:** **US D868,426 S**  
**Peters** (45) **Date of Patent:** **\*\* Dec. 3, 2019**

(54) **PANTS**

(71) Applicant: **The Gap, Inc.**, Albuquerque, NM (US)

(72) Inventor: **Jeannette Peters**, San Pablo, CA (US)

(73) Assignee: **The Gap, Inc.**, San Francisco, CA (US)

(\*\*) Term: **15 Years**

(21) Appl. No.: **29/655,172**

(22) Filed: **Jun. 29, 2018**

(51) **LOC (12) Cl.** ..... **02-02**

(52) **U.S. Cl.**

USPC ..... **D2/742; D2/731**

(58) **Field of Classification Search**

USPC ..... **D2/742-743, 728, 731; 2/79**

CPC ..... **A41D 1/06; A41D 1/08**

See application file for complete search history.

(56) **References Cited**

**U.S. PATENT DOCUMENTS**

1,861,704	A *	6/1932	Manke	.....	A41D 1/06
					2/227
D269,135	S *	5/1983	Langmyr	.....	D2/742
D273,434	S *	4/1984	Galbreath	.....	2/227
D423,191	S *	4/2000	McCormick	.....	D2/742
D507,392	S *	7/2005	Sieber	.....	D2/742
D598,178	S *	8/2009	Cutlip	.....	D2/742
D734,920	S *	7/2015	Korman	.....	D2/742
D751,273	S *	3/2016	Ramon	.....	D2/742
D794,908	S *	8/2017	Schneider	.....	D2/731
D807,616	S *	1/2018	Komulainen	.....	D2/742
D822,345	S *	7/2018	Swersky	.....	D2/731

\* cited by examiner

*Primary Examiner* — Catherine R Oliver-Garcia

*Assistant Examiner* — J. Thorn, Sr.

(74) *Attorney, Agent, or Firm* — Morgan, Lewis & Bockius LLP

(57) **CLAIM**

The ornamental design for pants, as shown and described.

**DESCRIPTION**

FIG. 1 is a rear perspective view of pants showing my new design;

FIG. 2 is an enlarged fragmentary view of FIG. 1;

FIG. 3 is a rear elevational view of FIG. 1;

FIG. 4 is an enlarged fragmentary view of FIG. 3;

FIG. 5 is a front elevational view of FIG. 1;

FIG. 6 is an enlarged fragmentary view of FIG. 5;

FIG. 7 is a right elevational view of FIG. 1;

FIG. 8 is an enlarged view fragmentary view of FIG. 7;

FIG. 9 is a left elevational view of FIG. 1;

FIG. 10 is an enlarged fragmentary view of FIG. 9;

FIG. 11 is a front elevational view of FIG. 1;

FIG. 12 is a cross-sectional view taken along the line 12-12 of FIG. 11.

FIG. 13 is an enlarged fragmentary view of FIG. 12;

FIG. 14 is a top plan view of FIG. 1;

FIG. 15 is a bottom plan view of FIG. 1; and

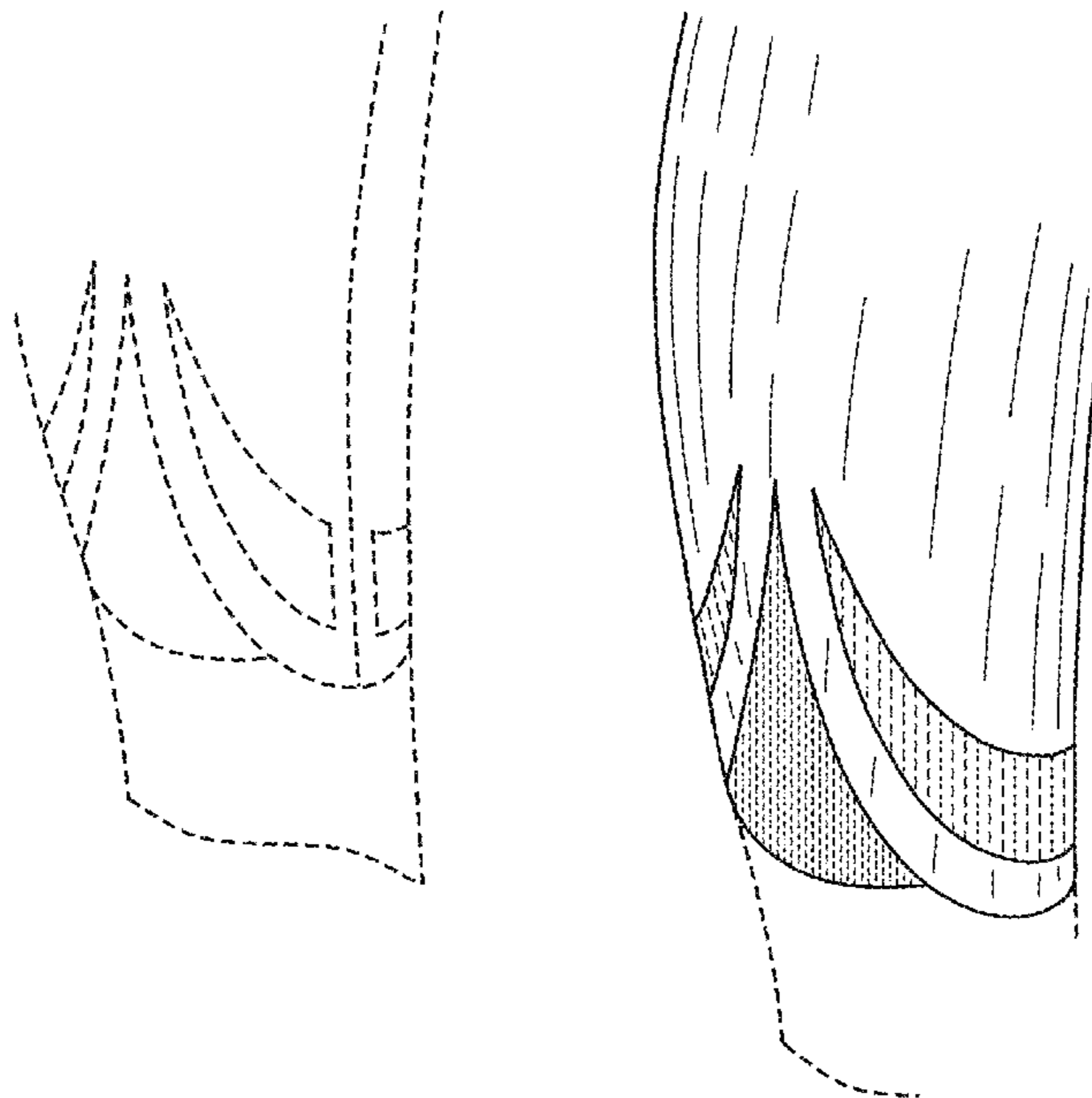
FIG. 16 is an enlarged bottom plan view of FIG. 1; and,

FIG. 17 is an enlarged fragmentary view of FIG. 16.

The stippling shown in the figures indicates a contrast in appearance, where the contrast is a different pattern or a different color than the non-stippled portions of the pants.

The broken lines showing elements in the above described Figures are understood to be unclaimed environmental subject matter.

**1 Claim, 16 Drawing Sheets**



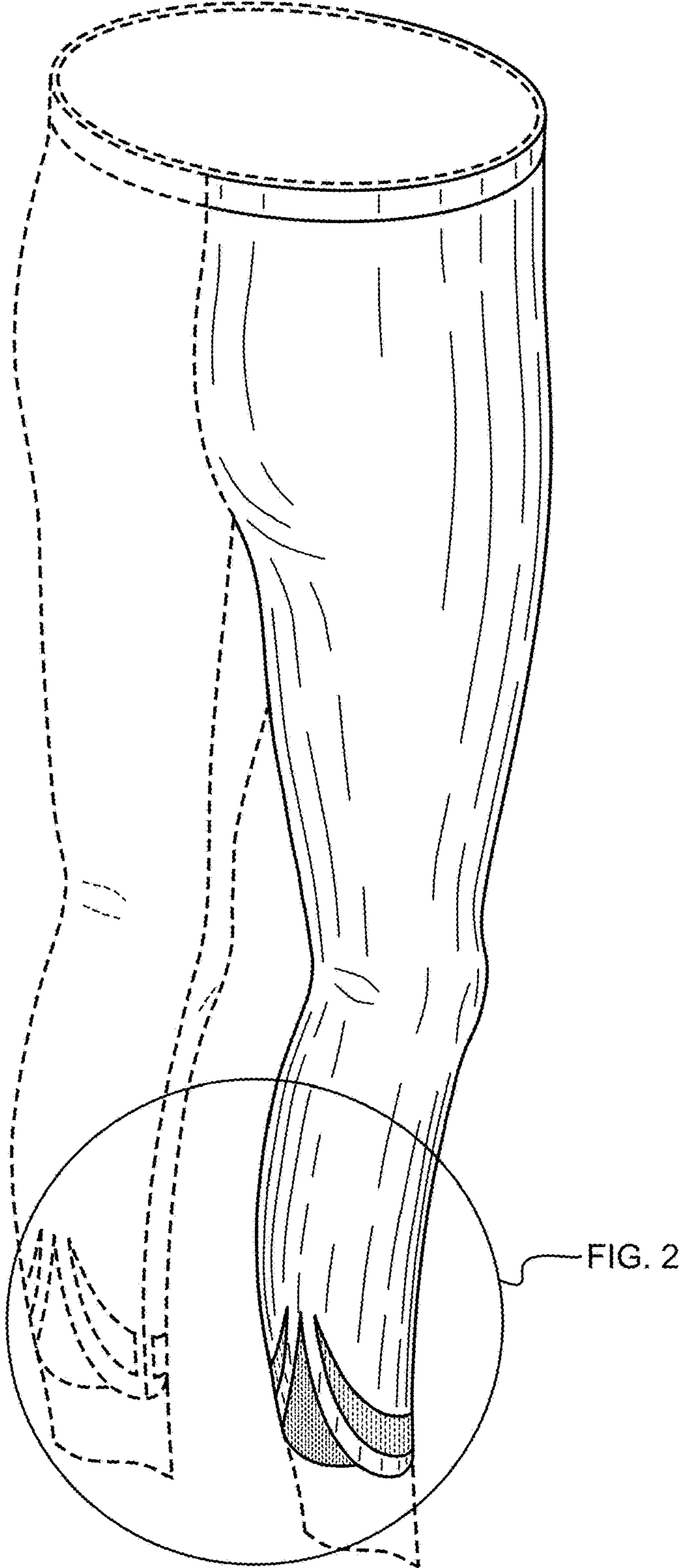


FIG. 1

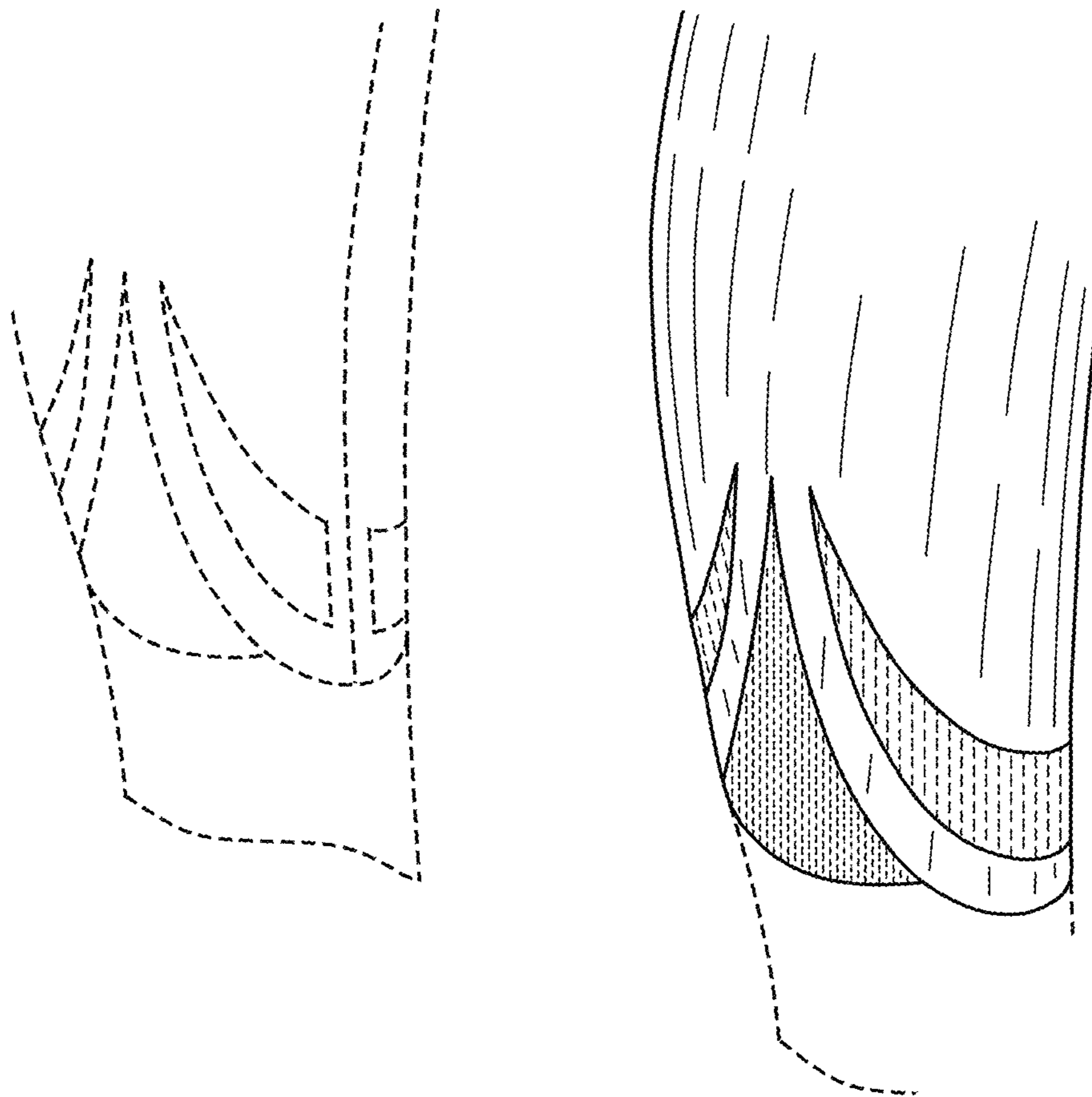


FIG. 2

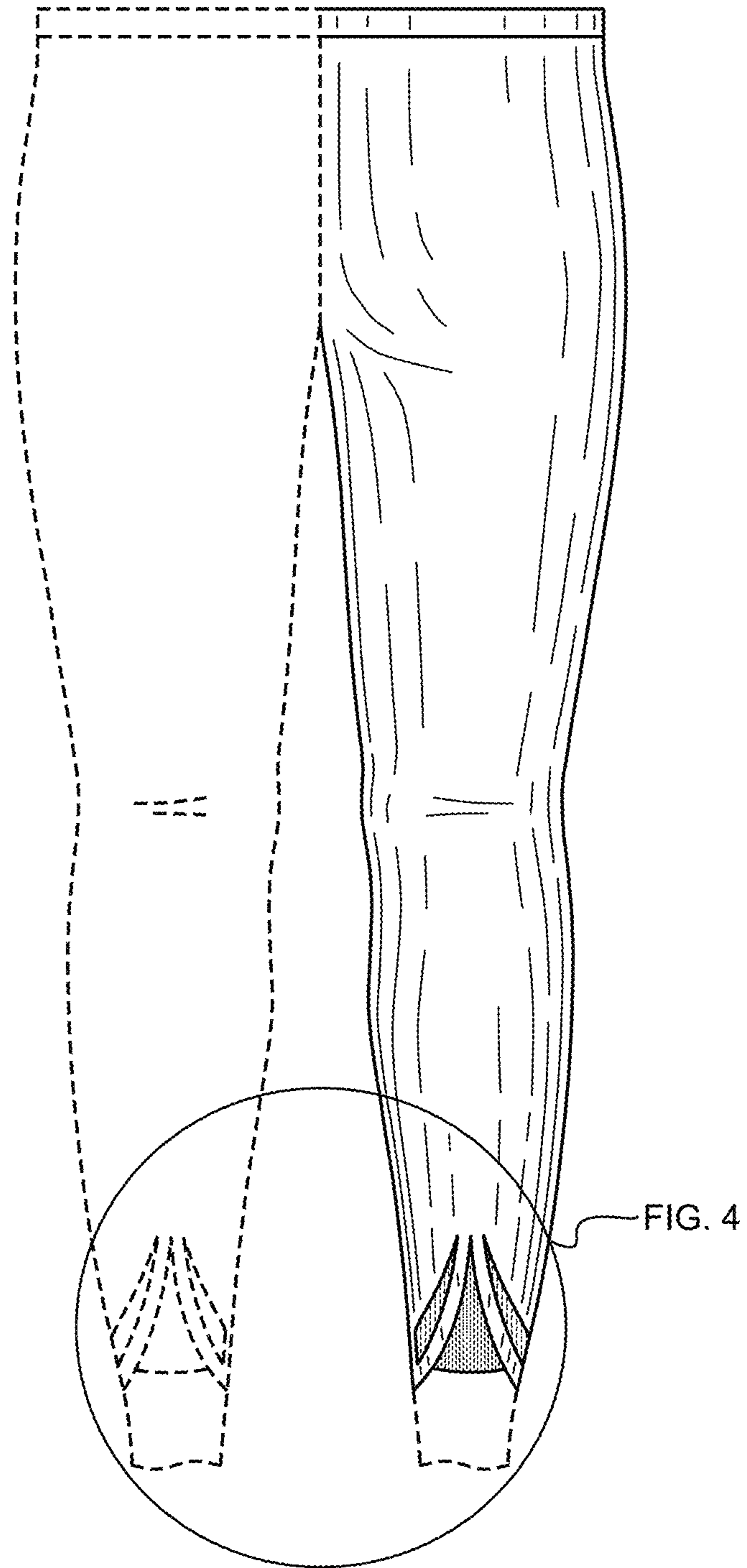


FIG. 3

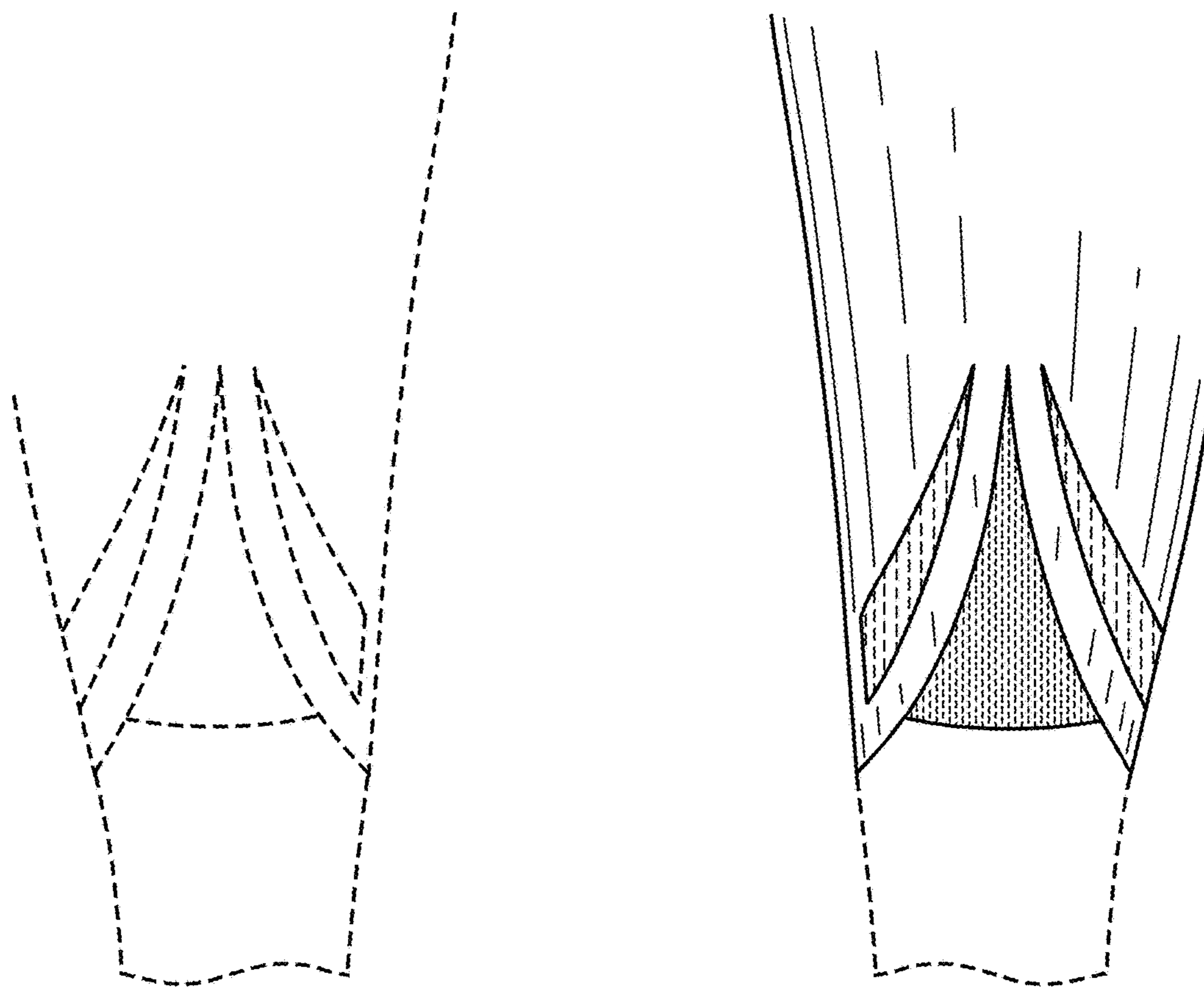


FIG. 4



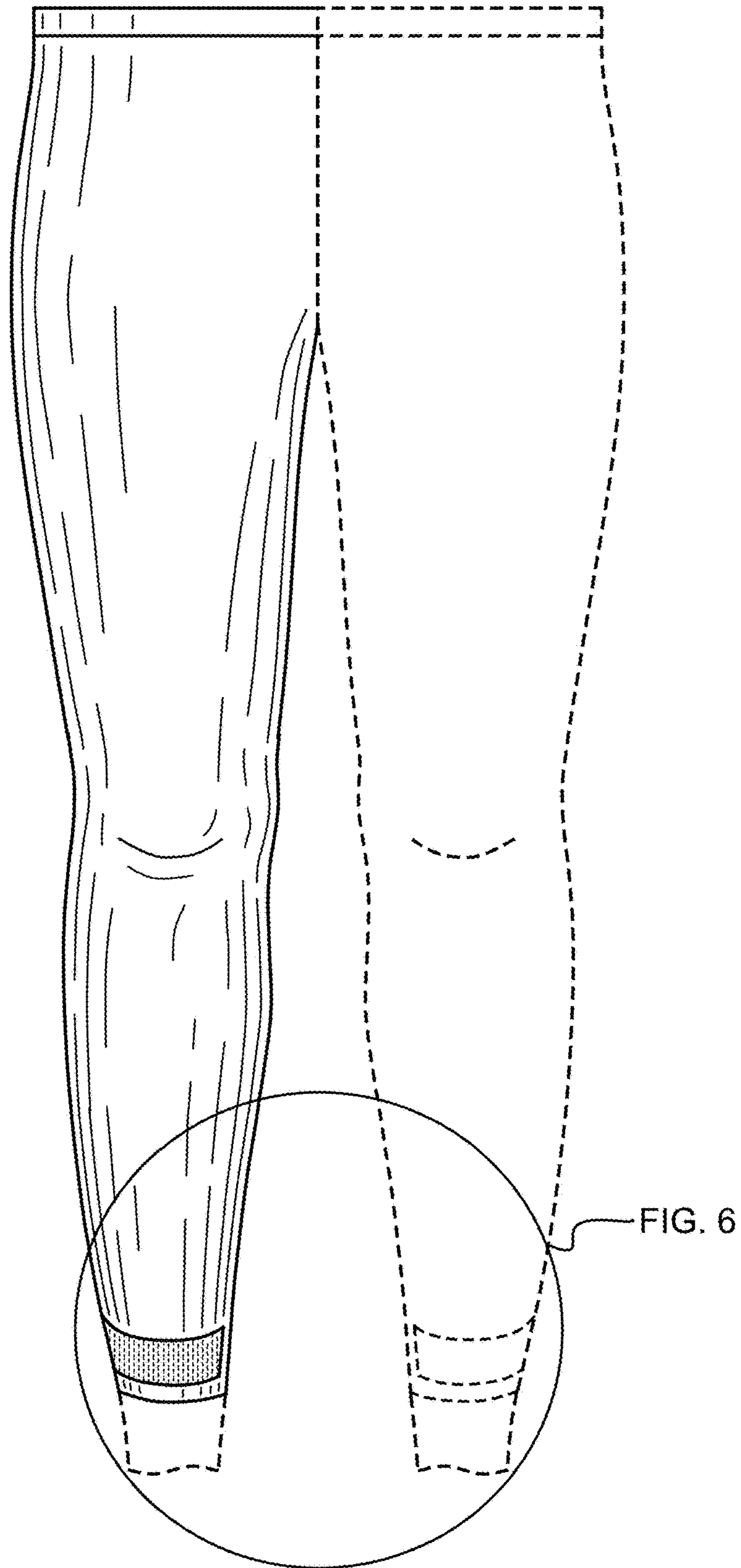


FIG. 5

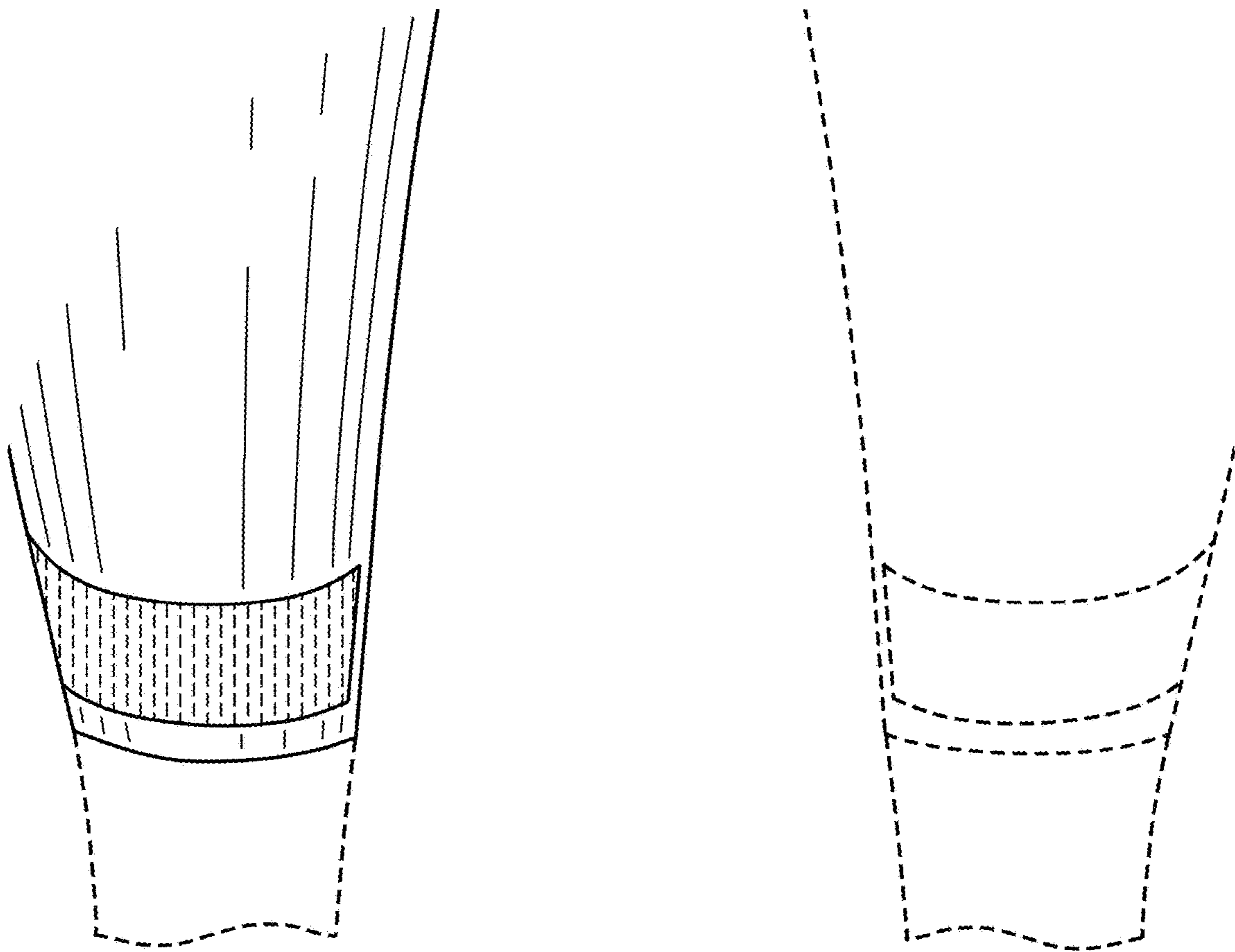


FIG. 6

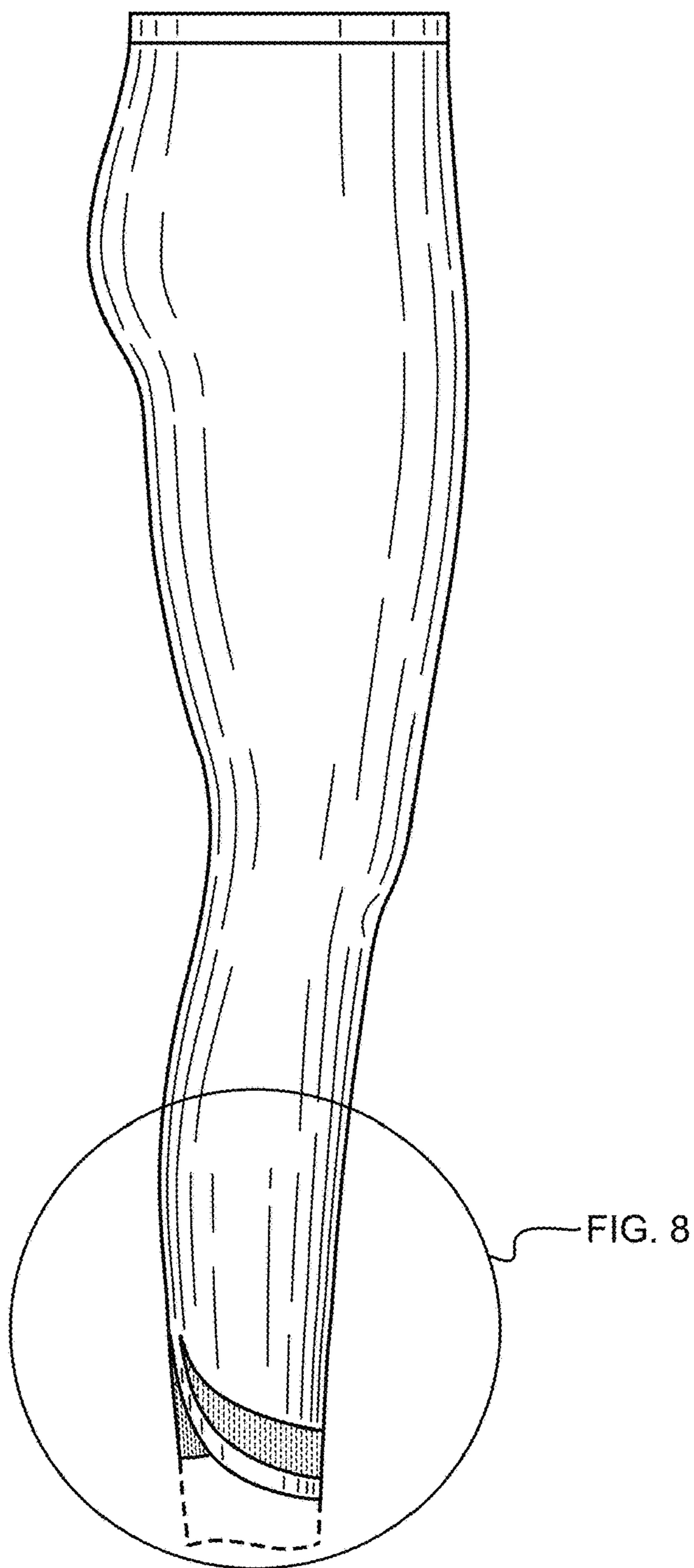


FIG. 7



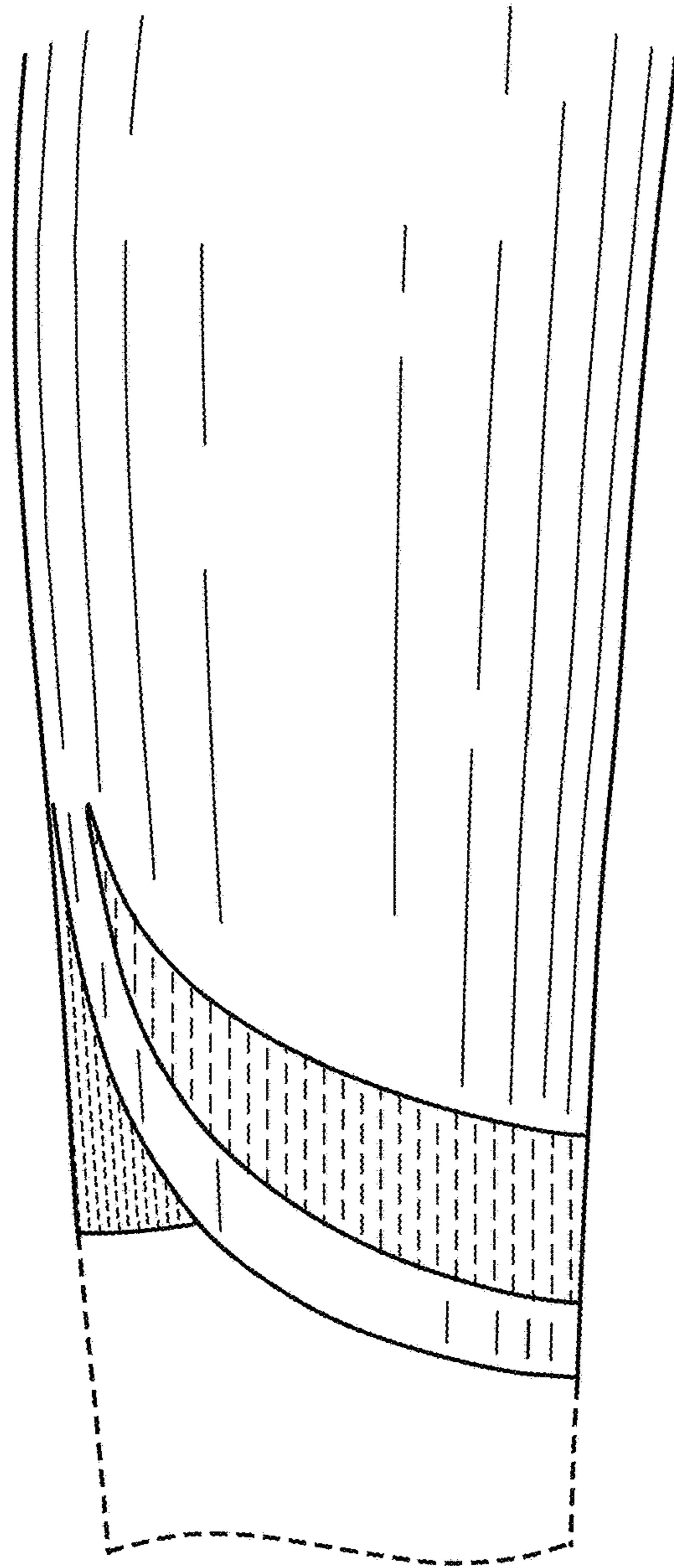


FIG. 8

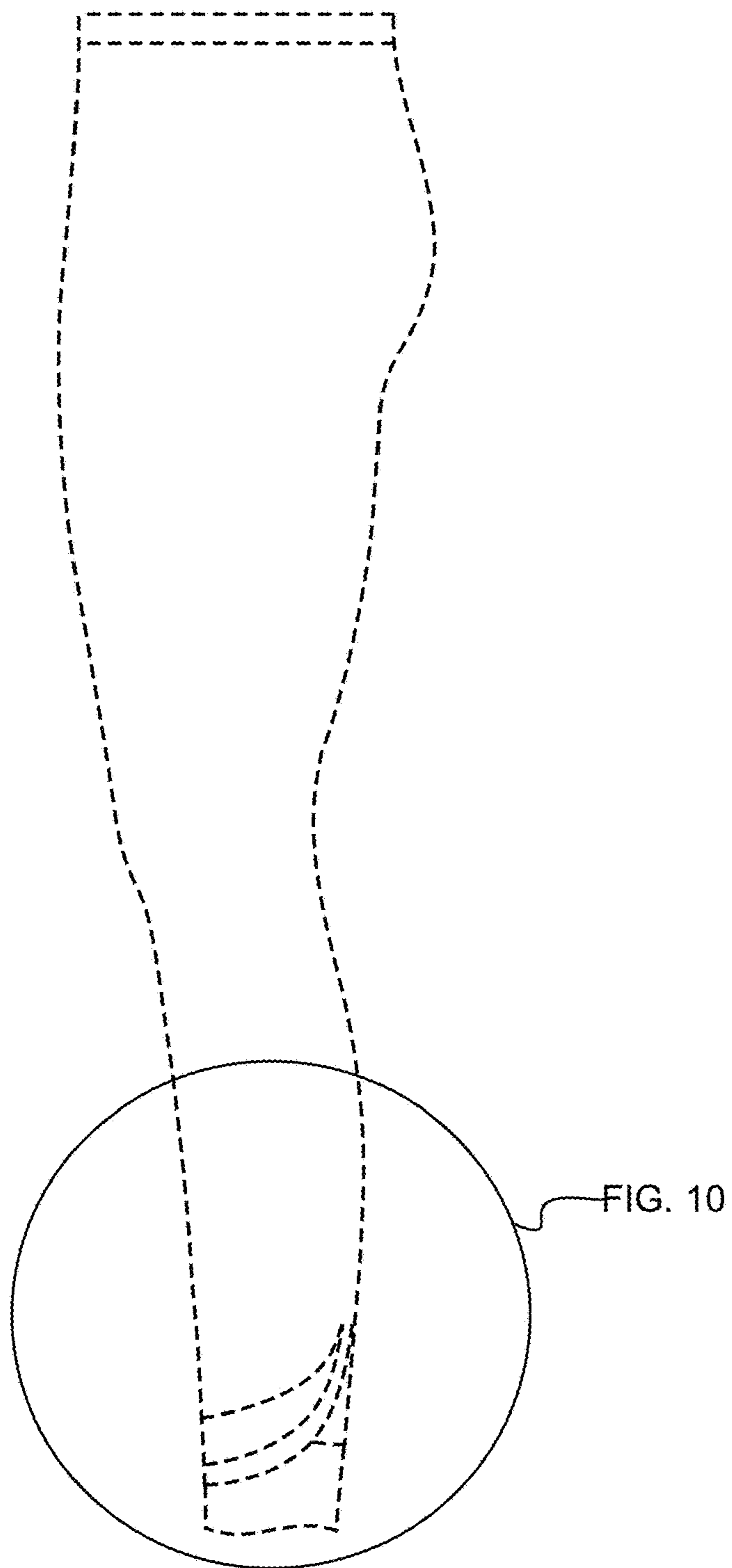


FIG. 9

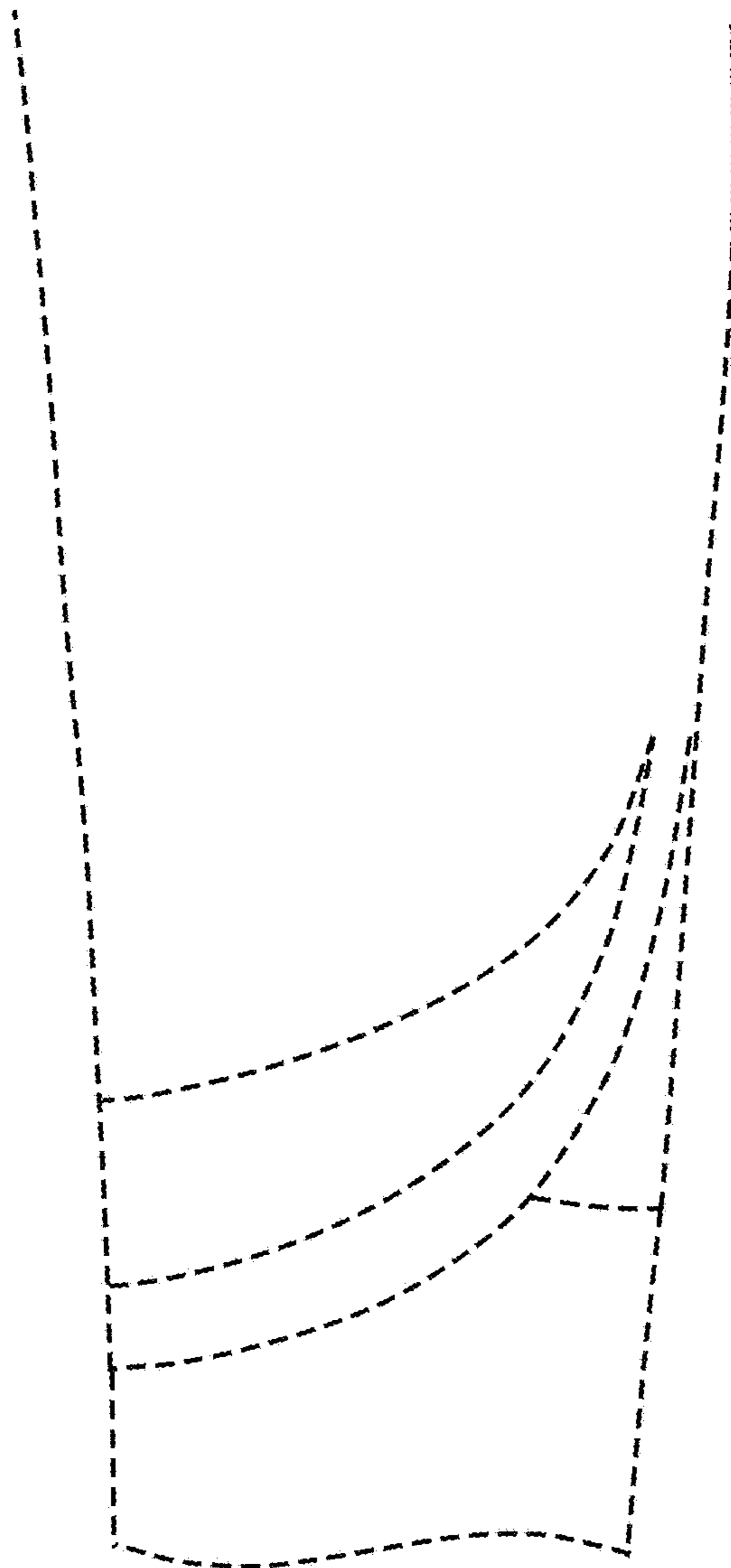


FIG. 10

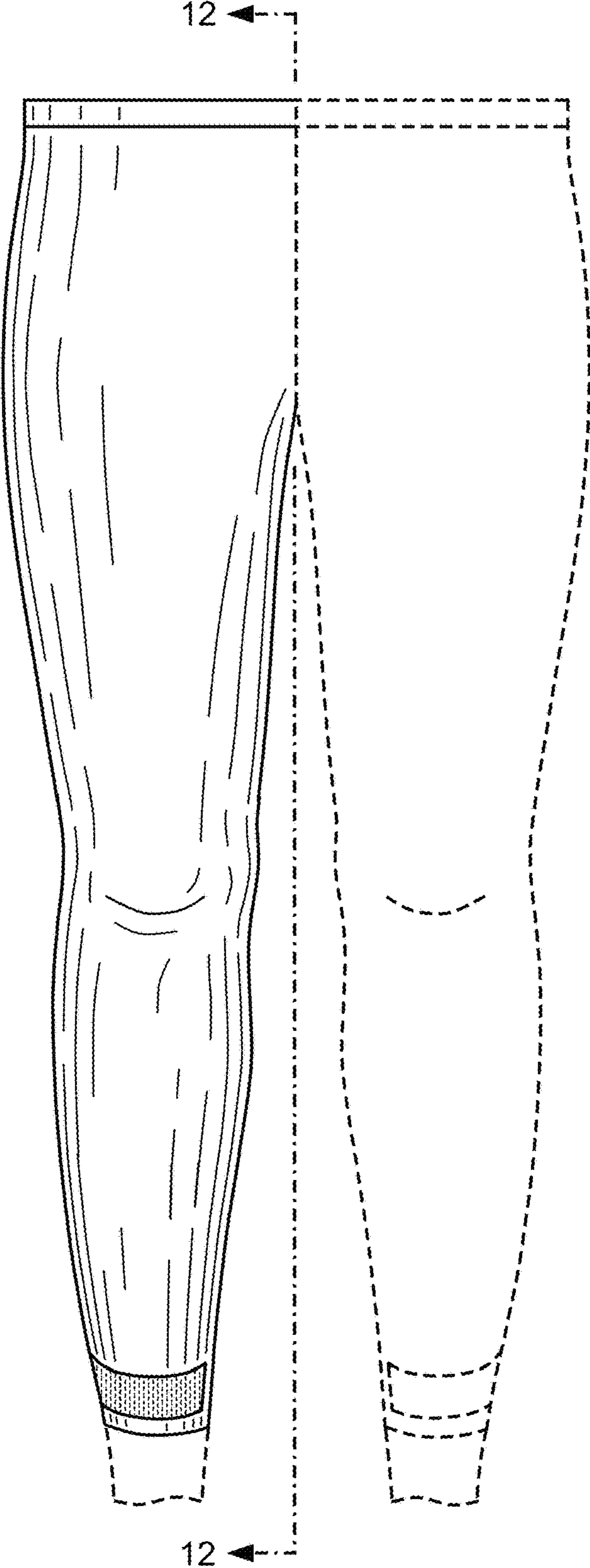


FIG. 11

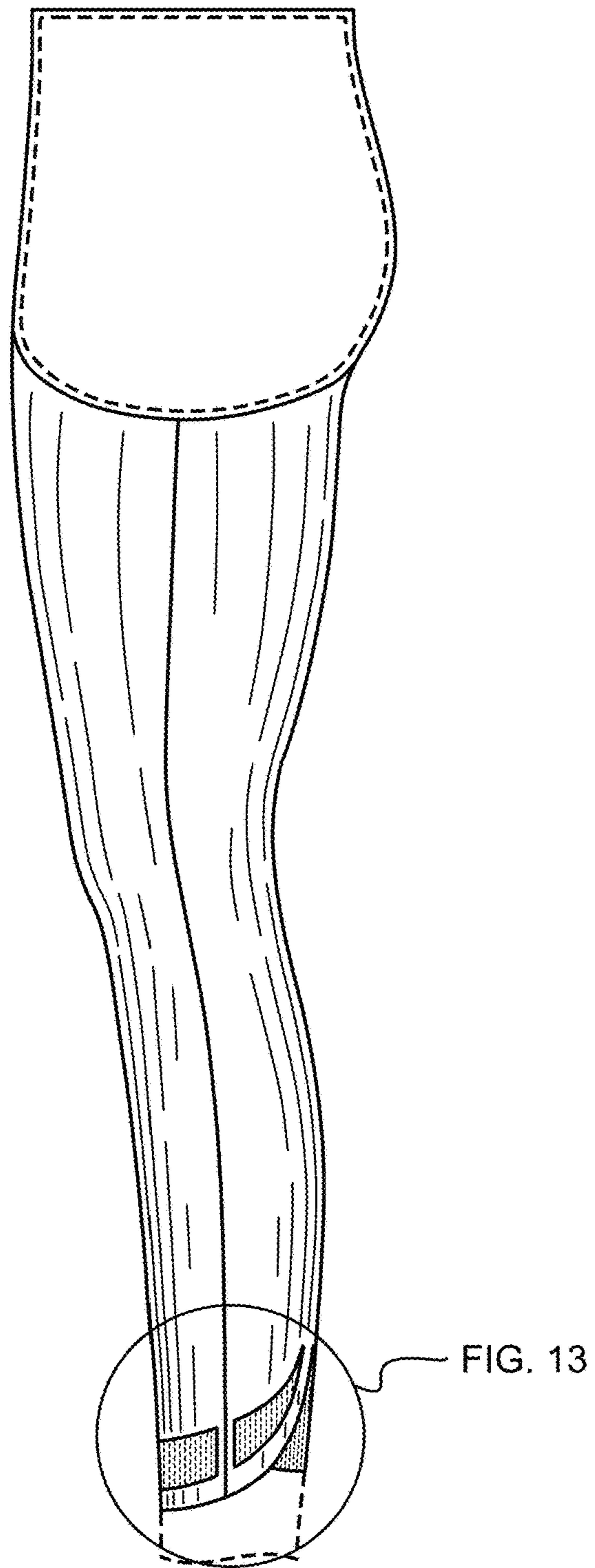


FIG. 12

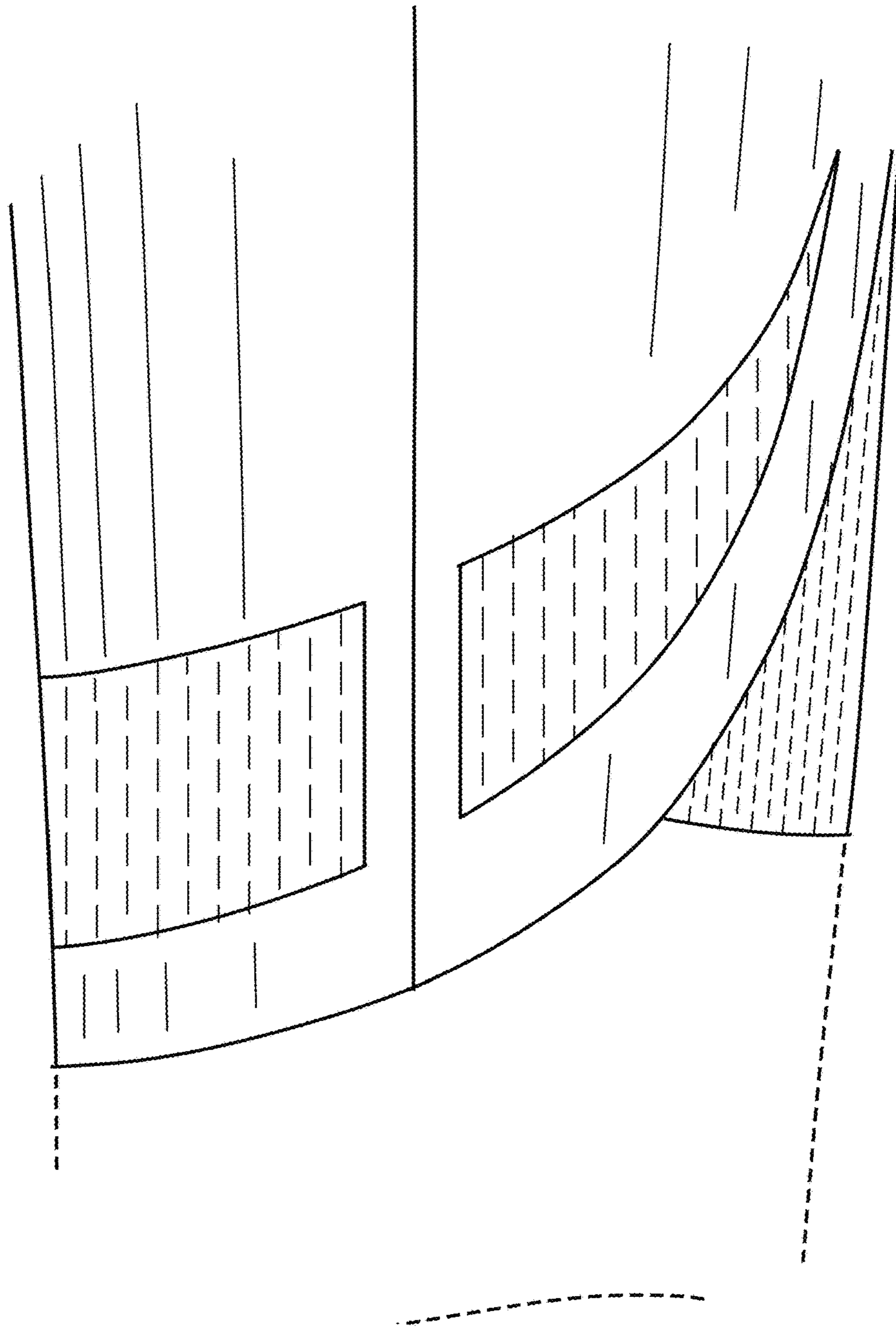


FIG. 13



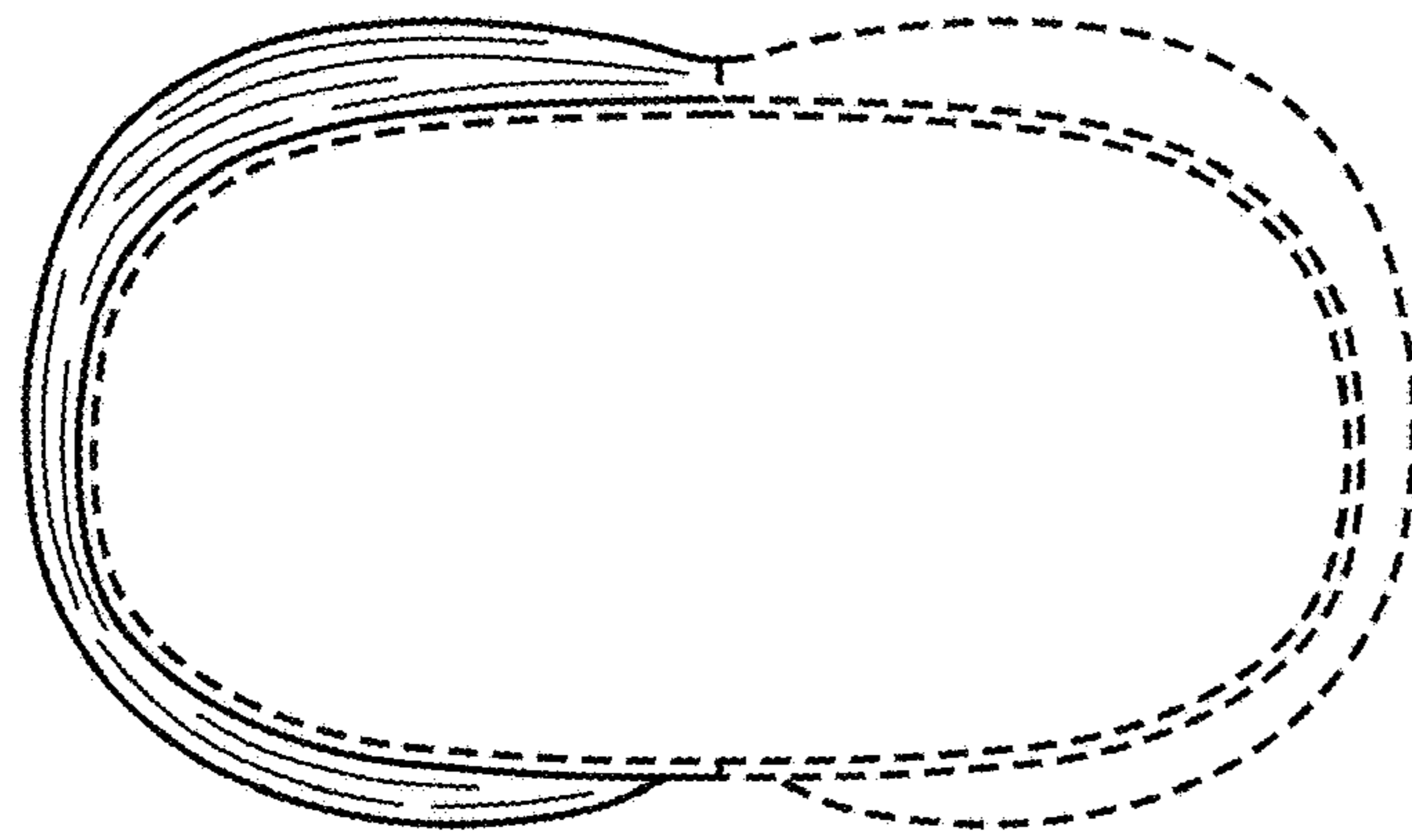


FIG. 14

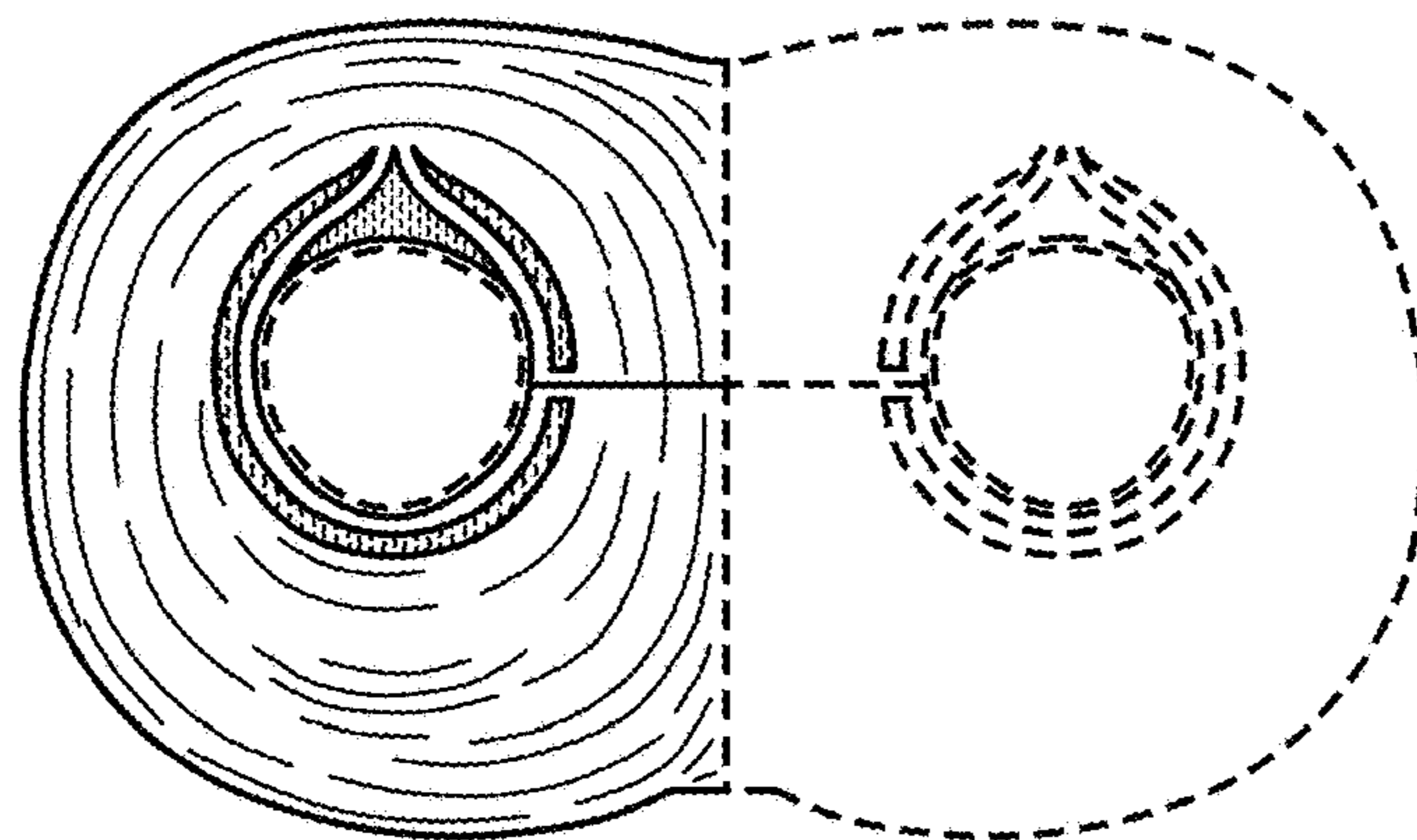


FIG. 15

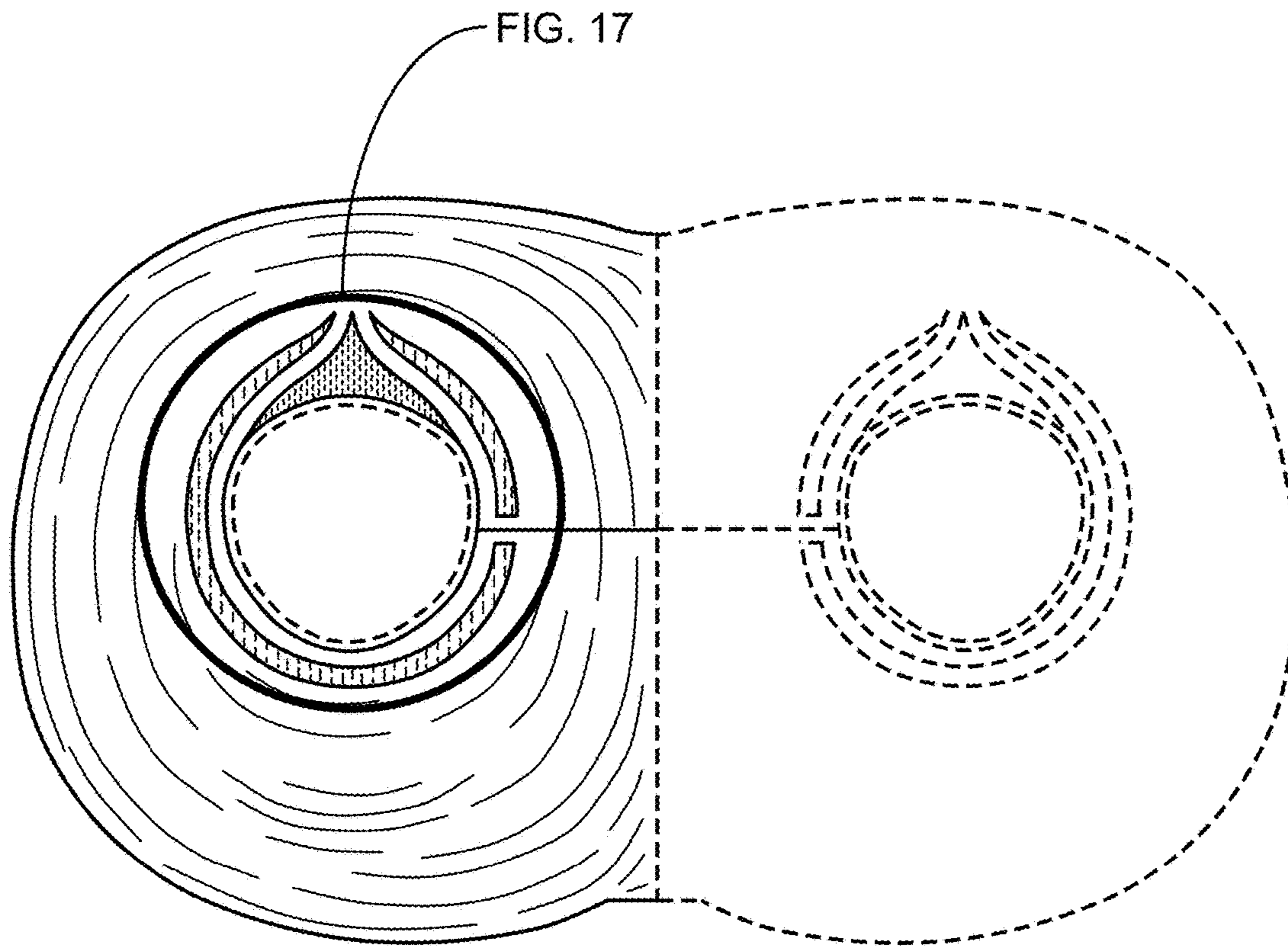


FIG. 16

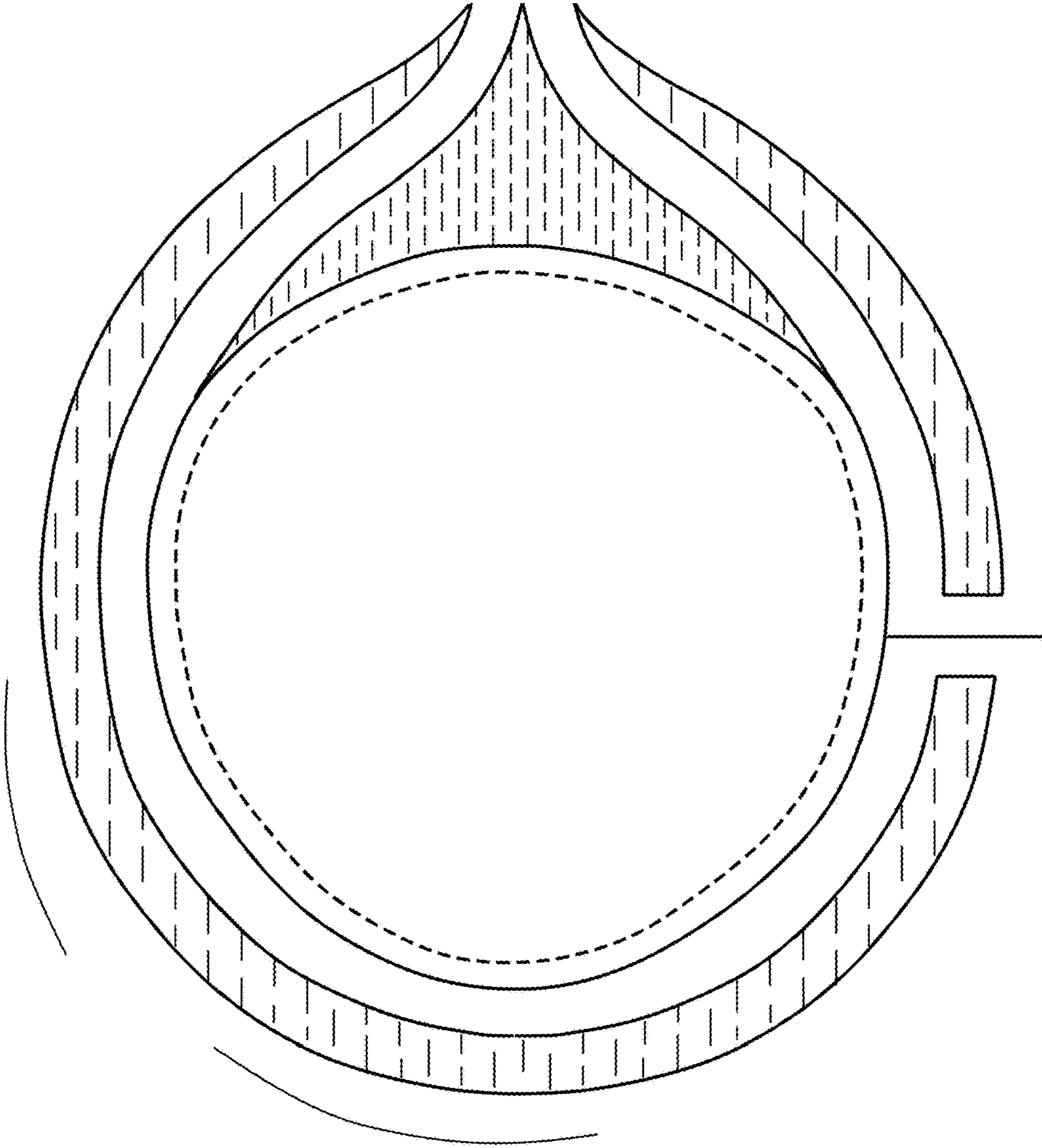


FIG. 17