

US00D868425S

(12) **United States Design Patent** (10) **Patent No.:** **US D868,425 S**
Emanuel et al. (45) **Date of Patent:** **** Dec. 3, 2019**

(54) **GARMENT**
(71) Applicants: **Bert Emanuel**, Missouri City, TX (US);
Dieu Rick Quang Ngo, Houston, TX
(US); **Bao-Quoc H. La**, Houston, TX
(US)
(72) Inventors: **Bert Emanuel**, Missouri City, TX (US);
Dieu Rick Quang Ngo, Houston, TX
(US); **Bao-Quoc H. La**, Houston, TX
(US)
(**) Term: **15 Years**
(21) Appl. No.: **29/589,172**
(22) Filed: **Dec. 28, 2016**

D565,279 S * 4/2008 Farrell D2/720
D594,632 S * 6/2009 Long D2/720
D601,781 S * 10/2009 Rhodes D2/840
7,621,001 B2 * 11/2009 Ebihara A41D 27/201
2/247
D733,999 S * 7/2015 Parker D2/717
D744,197 S * 12/2015 Orehek D2/739
D750,345 S * 3/2016 Earley D2/739
D765,345 S * 9/2016 Weiss D2/739
D771,908 S * 11/2016 Busch D2/739
D808,615 S * 1/2018 Kanka D2/739
2005/0066408 A1 3/2005 Varela
2006/0070163 A1 4/2006 Beck et al.
2009/0031467 A1 2/2009 Swindells et al.
2010/0170026 A1 7/2010 Jeffords
2013/0097764 A1 4/2013 Michel
2013/0205467 A1* 8/2013 Walrich A41D 27/10
2/93
2013/0212788 A1 8/2013 Curtis et al.

Related U.S. Application Data

(63) Continuation-in-part of application No. 29/479,338,
filed on Jan. 15, 2014, now abandoned.
(51) **LOC (12) Cl.** **02-02**
(52) **U.S. Cl.**
USPC **D2/739**
(58) **Field of Classification Search**
USPC D2/840, 717, 739, 743
CPC A41D 13/12; A41D 10/00; A41D 13/0012
See application file for complete search history.

References Cited

U.S. PATENT DOCUMENTS

3,959,556 A 5/1976 Morrison
4,343,853 A 8/1982 Morrison
4,637,075 A * 1/1987 Ingrisano A41D 13/0012
2/102
4,791,681 A * 12/1988 Dean A41D 13/012
2/102
5,196,240 A 3/1993 Stockwell
6,124,221 A 9/2000 Gabbay
6,286,147 B1 * 9/2001 Ingold A41D 13/0012
2/114
D464,790 S 10/2002 Townes et al.
7,254,841 B1 * 8/2007 Nelson A41D 13/0012
2/102

FOREIGN PATENT DOCUMENTS

CA 2478247 6/2009
CN 2634844 8/2004
WO WO 00/53038 9/2000

* cited by examiner

Primary Examiner — Kevin K Rudzinski
(74) *Attorney, Agent, or Firm* — Hoang Steve Ngo

(57) **CLAIM**

The ornamental design for a garment, as shown and described.

DESCRIPTION

FIG. 1 is a front view of a garment, shown in a tucked position and in an environment of use;
FIG. 2 is a rear view of the garment of FIG. 1, shown in a tucked position and in an environment of use;
FIG. 3 is a front elevational view of the garment of FIG. 1;
FIG. 4 is a rear elevational view of the garment of FIG. 1;
FIG. 5 is another rear elevational view of the garment of FIG. 1;
FIG. 6 is a front, left side, perspective view of the garment of FIG. 1;

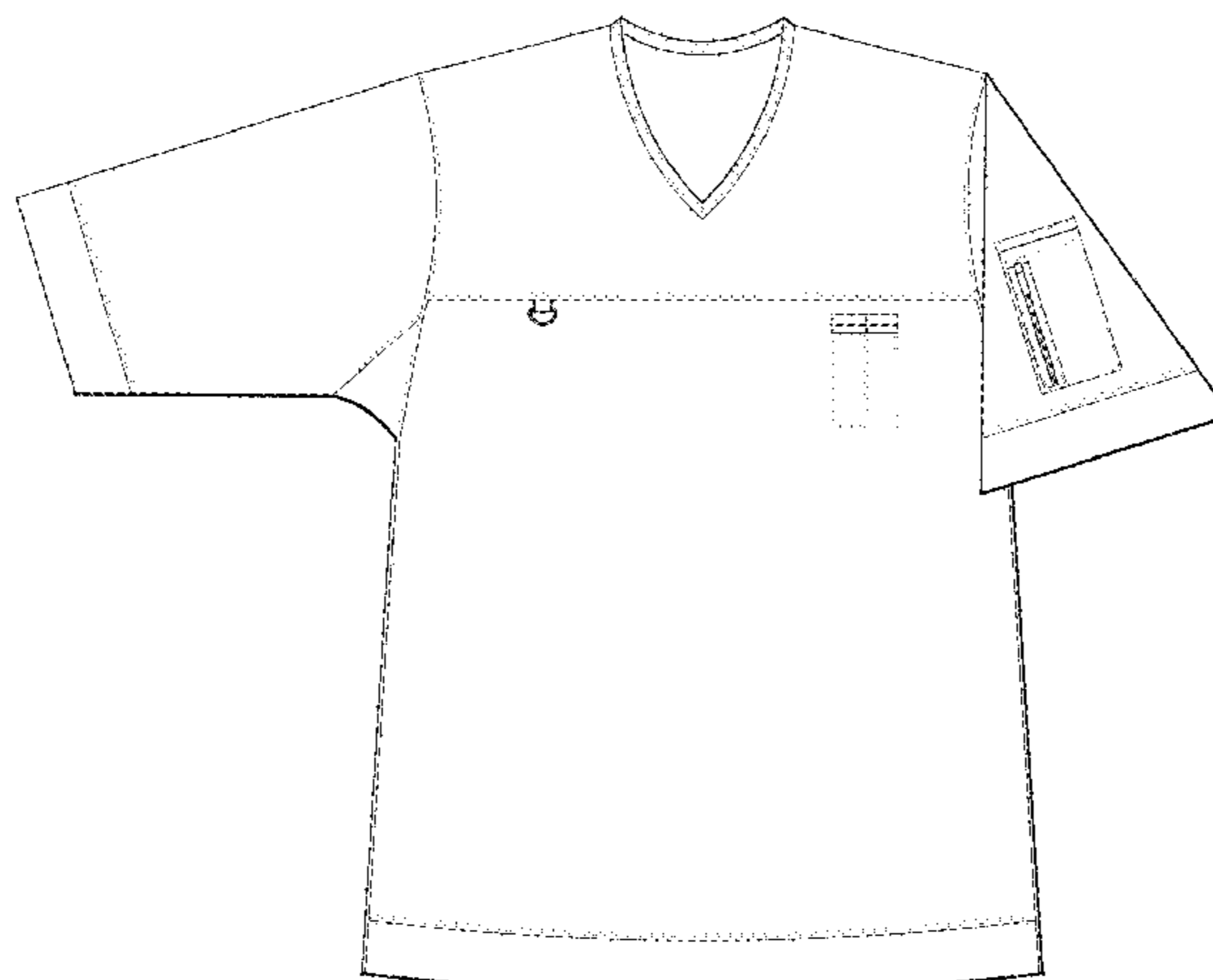


FIG. 7 is a rear, left side, perspective view of the garment of FIG. 1;
 FIG. 8 is a front, right side, perspective view of the garment of FIG. 1;
 FIG. 9 is a rear, right side, perspective view of the garment of FIG. 1;
 FIG. 10 is a right side view of the garment of FIG. 1;
 FIG. 11 is a left side view of the garment of FIG. 1;
 FIG. 12 is a top view of the garment of FIG. 1;
 FIG. 13 is a bottom view of the garment of FIG. 1;
 FIG. 14 is a front view of a garment showing a second embodiment;
 FIG. 15 is a rear view of the garment of FIG. 14;
 FIG. 16 is another rear elevational view of the garment of FIG. 14;
 FIG. 17 is a front, left side, perspective view of the garment of FIG. 14;
 FIG. 18 is a rear, left side, perspective view of the garment of FIG. 14;
 FIG. 19 is a front, right side, perspective view of the garment of FIG. 14;
 FIG. 20 is a rear, right side, perspective view of the garment of FIG. 14;
 FIG. 21 is a right side view of the garment of FIG. 14;
 FIG. 22 is a left side view of the garment of FIG. 14;
 FIG. 23 is a top view of the garment of FIG. 14;
 FIG. 24 is a bottom view of the garment of FIG. 14;
 FIG. 25 is a front view of a garment showing a third embodiment;
 FIG. 26 is a rear view of the garment of FIG. 25;
 FIG. 27 is another rear elevational view of the garment of FIG. 25;
 FIG. 28 is a front, left side, perspective view of the garment of FIG. 25;
 FIG. 29 is a rear, left side, perspective view of the garment of FIG. 25;
 FIG. 30 is a front, right side, perspective view of the garment of FIG. 25;
 FIG. 31 is a rear, right side, perspective view of the garment of FIG. 25;
 FIG. 32 is a right side view of the garment of FIG. 25;
 FIG. 33 is a left side view of the garment of FIG. 25;
 FIG. 34 is a top view of the garment of FIG. 25;
 FIG. 35 is a bottom view of the garment of FIG. 25;
 FIG. 36 is a front view of a garment showing a fourth embodiment;
 FIG. 37 is a rear view of the garment of FIG. 36;
 FIG. 38 is another rear elevational view of the garment of FIG. 36;
 FIG. 39 is a front, left side, perspective view of the garment of FIG. 36;
 FIG. 40 is a rear, left side, perspective view of the garment of FIG. 36;
 FIG. 41 is a front, right side, perspective view of the garment of FIG. 36;
 FIG. 42 is a rear, right side, perspective view of the garment of FIG. 36;
 FIG. 43 is a right side view of the garment of FIG. 36;
 FIG. 44 is a left side view of the garment of FIG. 36;

FIG. 45 is a top view of the garment of FIG. 36;
 FIG. 46 is a bottom view of the garment of FIG. 36;
 FIG. 47 is a front view of a garment showing a fifth embodiment;
 FIG. 48 is a rear view of the garment of FIG. 47;
 FIG. 49 is another rear elevational view of the garment of FIG. 47;
 FIG. 50 is a front, left side, perspective view of the garment of FIG. 47;
 FIG. 51 is a rear, left side, perspective view of the garment of FIG. 47;
 FIG. 52 is a front, right side, perspective view of the garment of FIG. 47;
 FIG. 53 is a rear, right side, perspective view of the garment of FIG. 47;
 FIG. 54 is a right side view of the garment of FIG. 47;
 FIG. 55 is a left side view of the garment of FIG. 47;
 FIG. 56 is a top view of the garment of FIG. 47;
 FIG. 57 is a bottom view of the garment of FIG. 47;
 FIG. 58 is a front view of a garment showing a sixth embodiment;
 FIG. 59 is a rear view of the garment of FIG. 58;
 FIG. 60 is another rear elevational view of the garment of FIG. 58;
 FIG. 61 is a front, left side, perspective view of the garment of FIG. 58;
 FIG. 62 is a rear, left side, perspective view of the garment of FIG. 58;
 FIG. 63 is a front, right side, perspective view of the garment of FIG. 58;
 FIG. 64 is a rear, right side, perspective view of the garment of FIG. 58;
 FIG. 65 is a right side view of the garment of FIG. 58;
 FIG. 66 is a left side view of the garment of FIG. 58;
 FIG. 67 is a top view of the garment of FIG. 58;
 FIG. 68 is a bottom view of the garment of FIG. 58;
 FIG. 69 is a front view of a garment showing a seventh embodiment;
 FIG. 70 is a rear view of the garment of FIG. 69;
 FIG. 71 is another rear elevational view of the garment of FIG. 69;
 FIG. 72 is a front, left side, perspective view of the garment of FIG. 69;
 FIG. 73 is a rear, left side, perspective view of the garment of FIG. 69;
 FIG. 74 is a front, right side, perspective view of the garment of FIG. 69;
 FIG. 75 is a rear, right side, perspective view of the garment of FIG. 69;
 FIG. 76 is a right side view of the garment of FIG. 69;
 FIG. 77 is a left side view of the garment of FIG. 69;
 FIG. 78 is a top view of the garment of FIG. 69; and,
 FIG. 79 is a bottom view of the garment of FIG. 69.
 The evenly spaced dots (or short dot-dot broken lines) shown in the drawings represent stitching and form part of the claimed design while the long dash broken lines shown in the drawings represent environment and form no part of the claimed design.

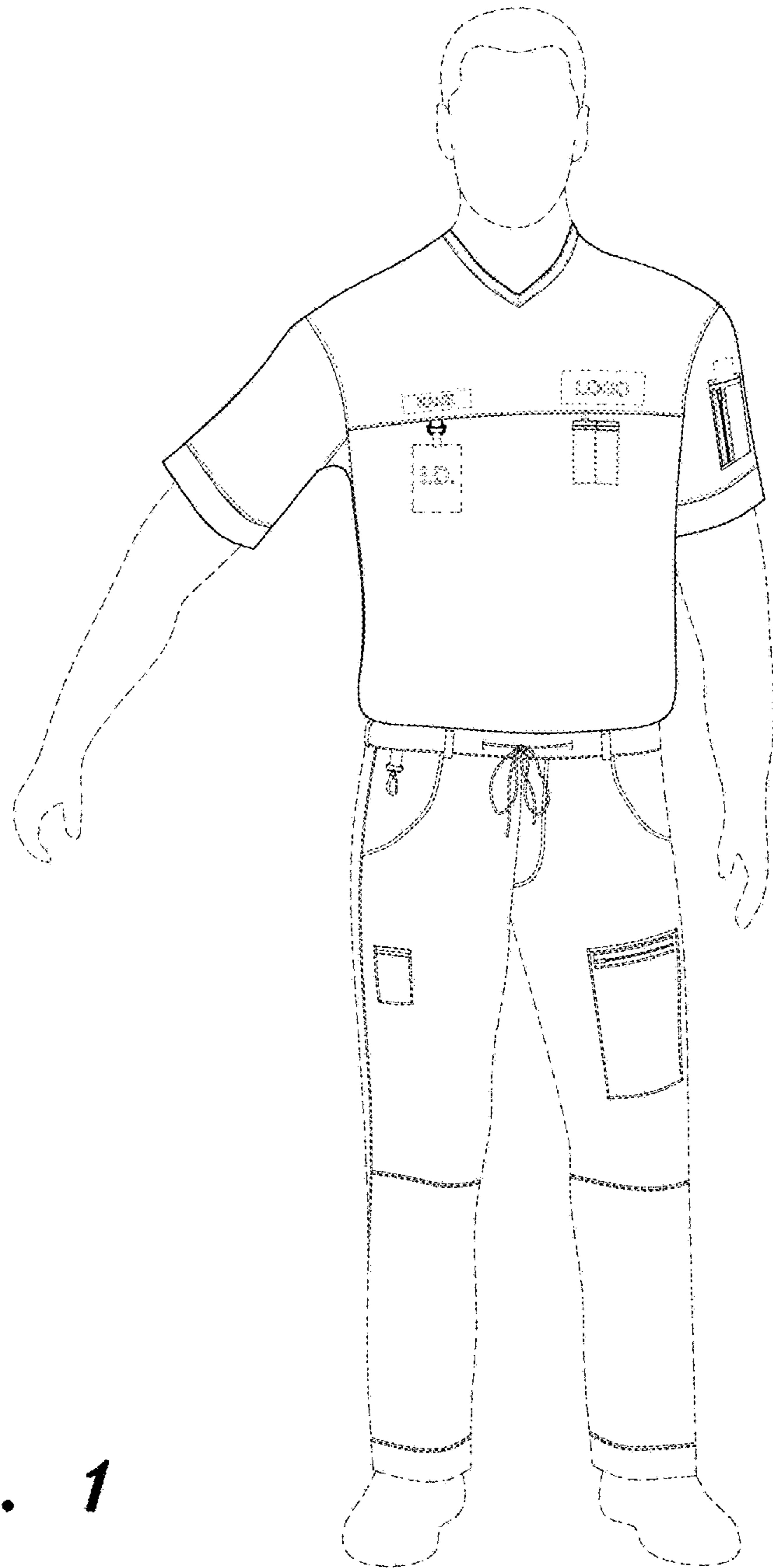


FIG. 1

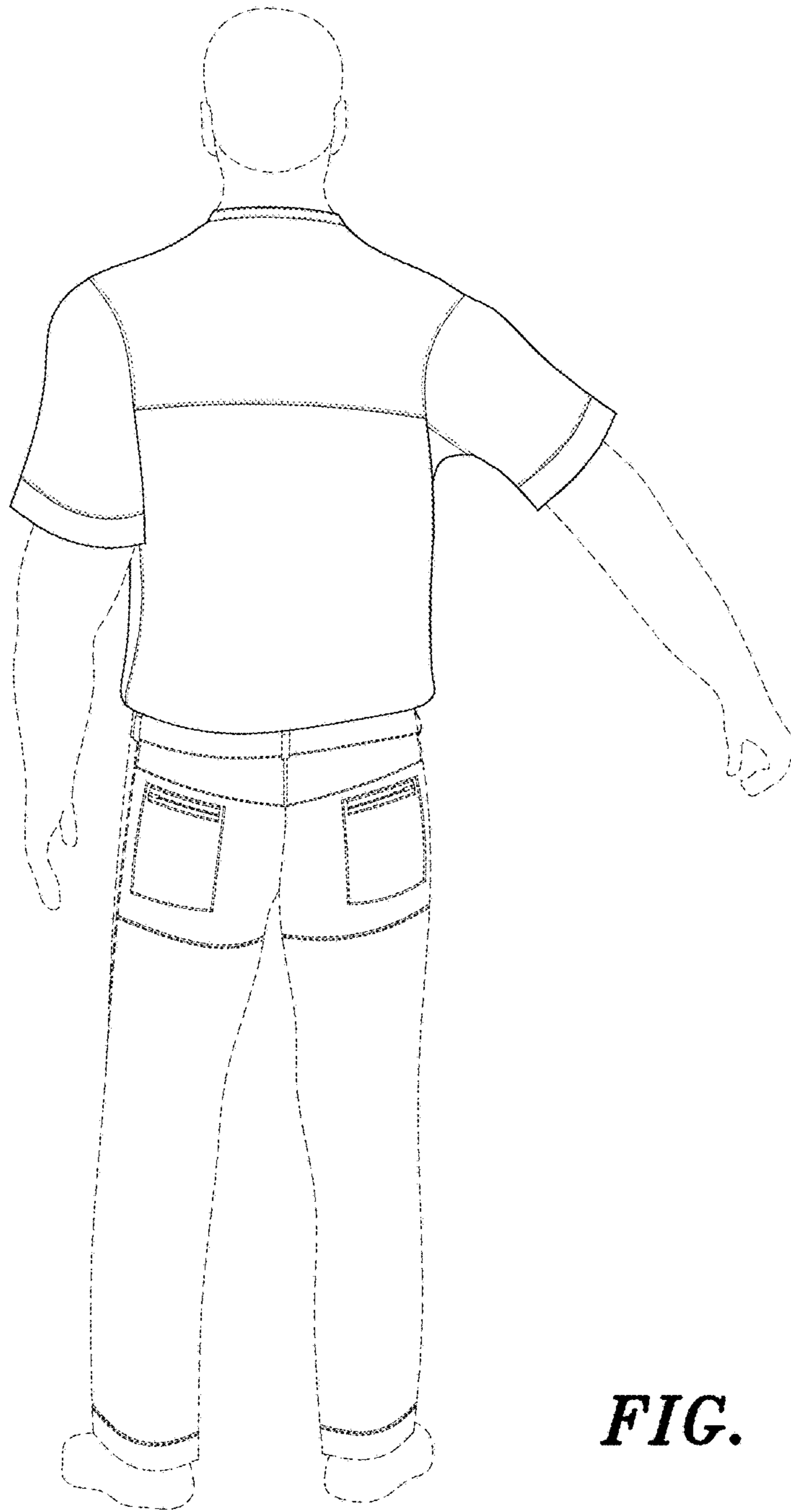


FIG. 2

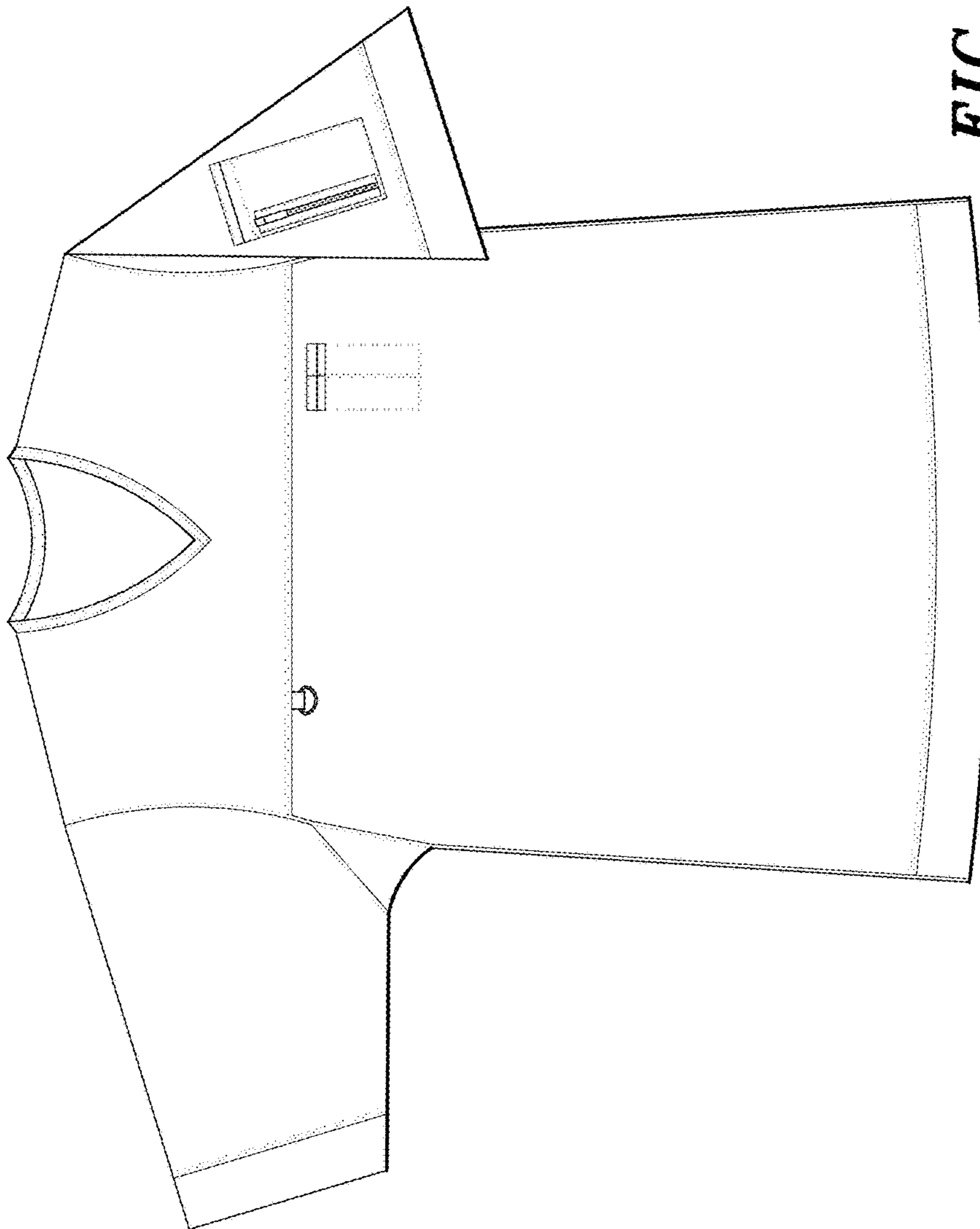


FIG. 3

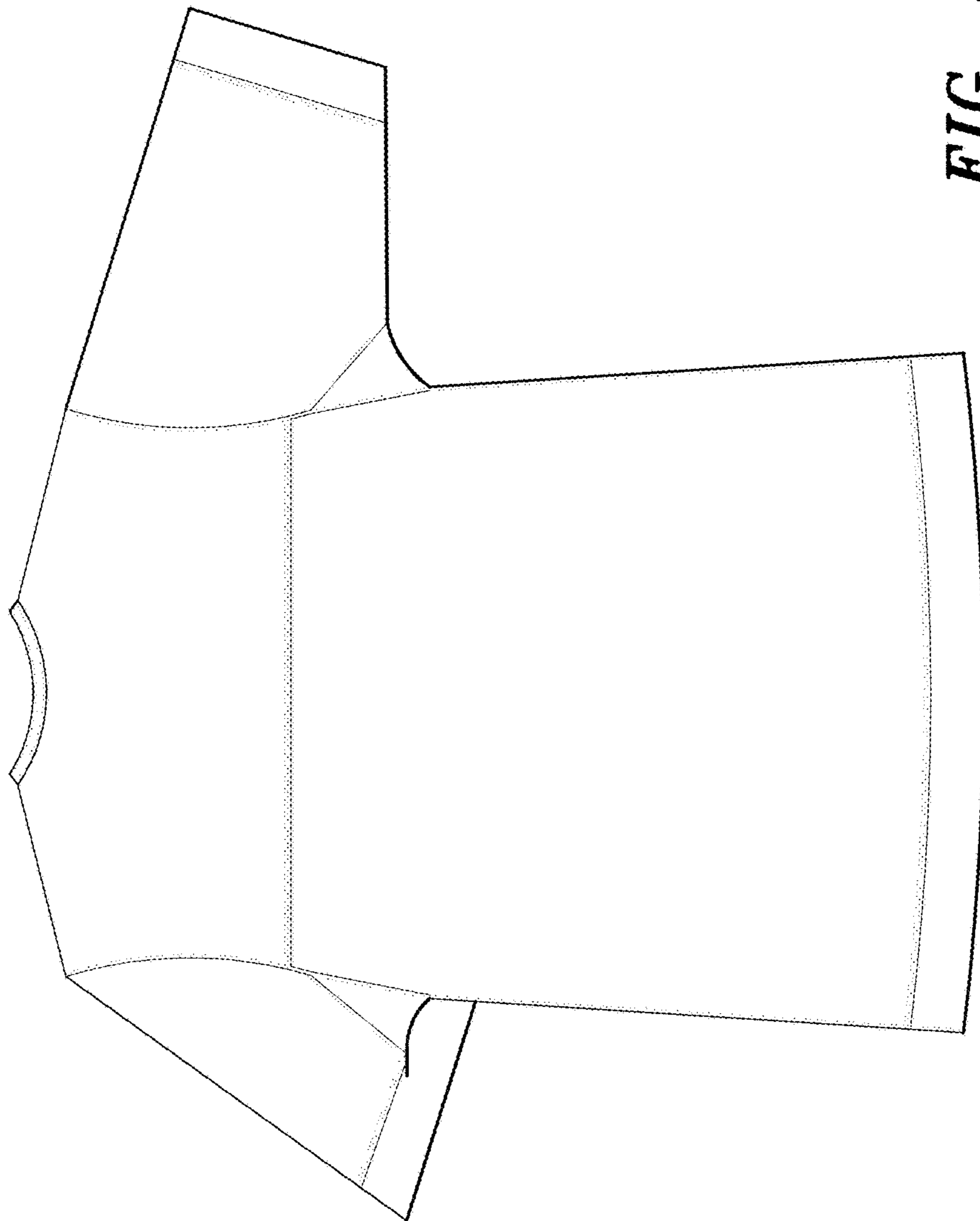


FIG. 4

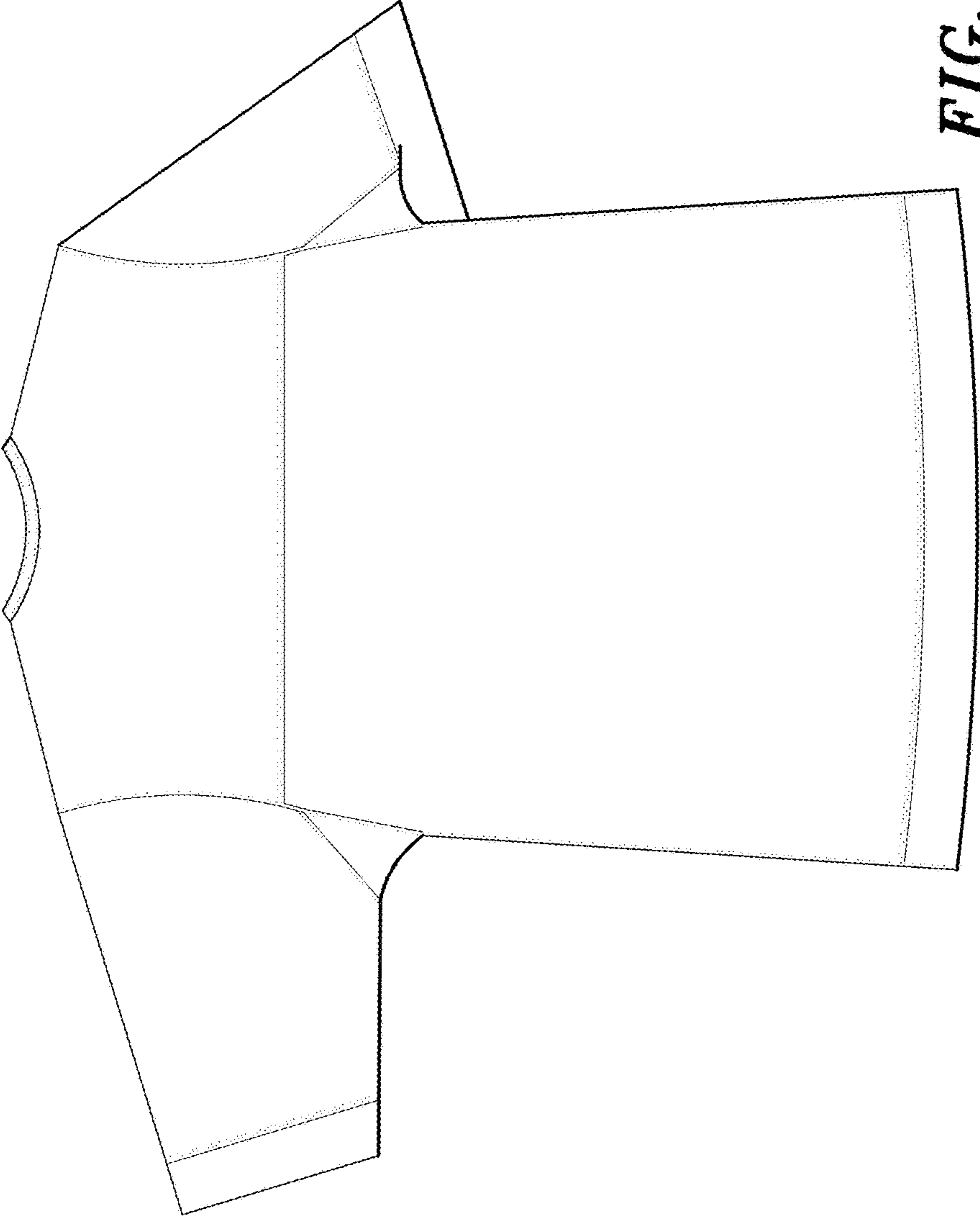


FIG. 5

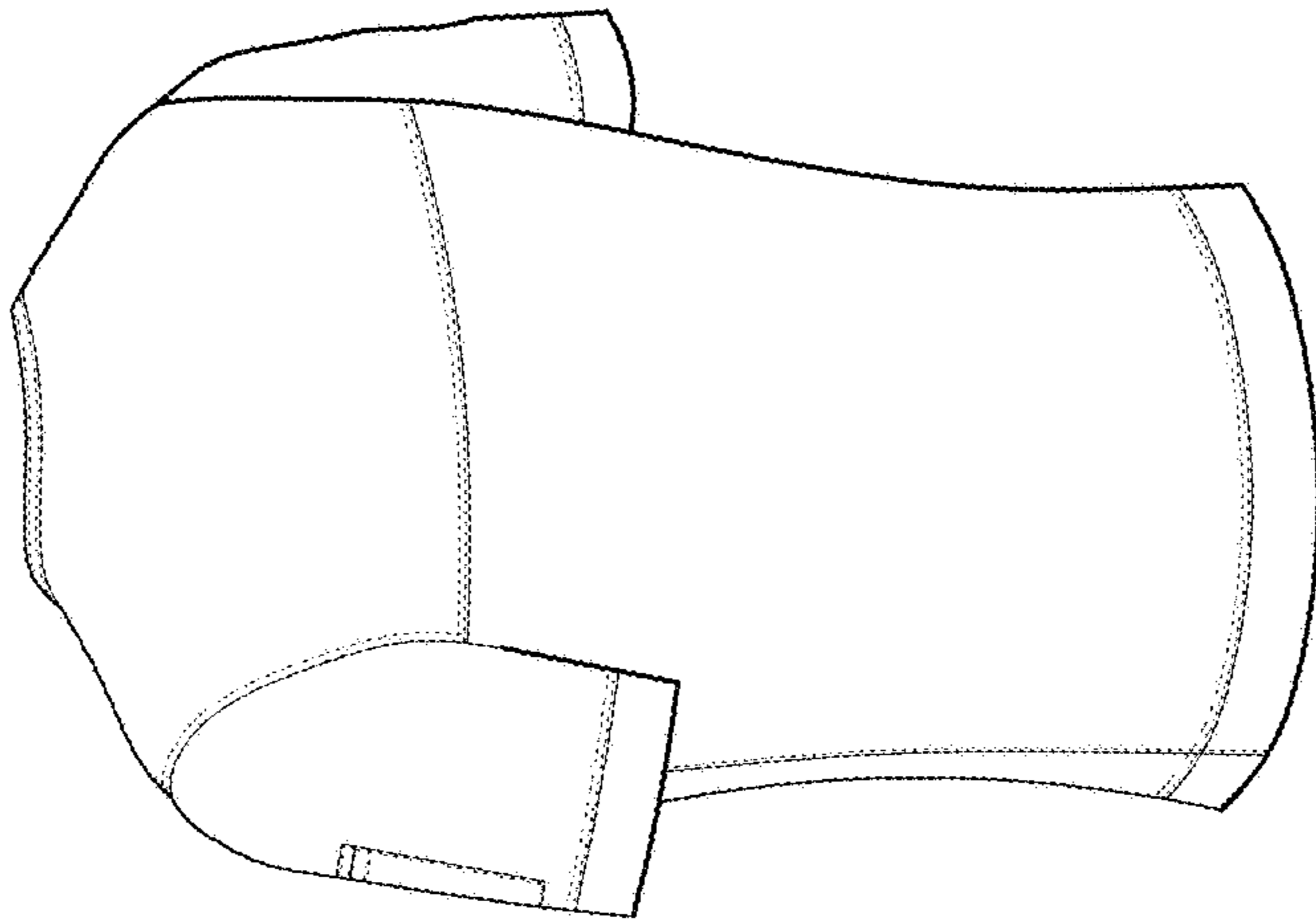


FIG. 7

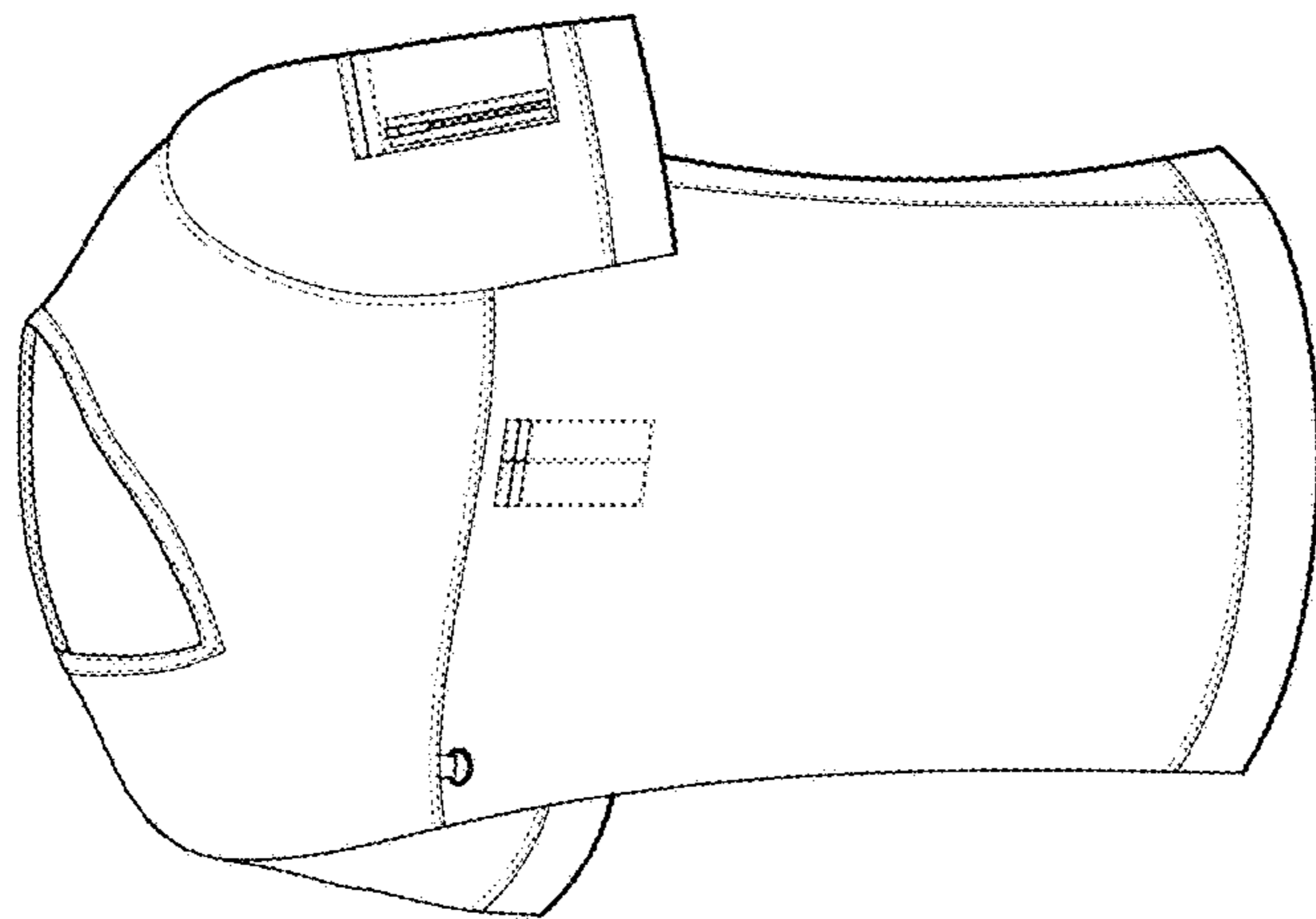


FIG. 6

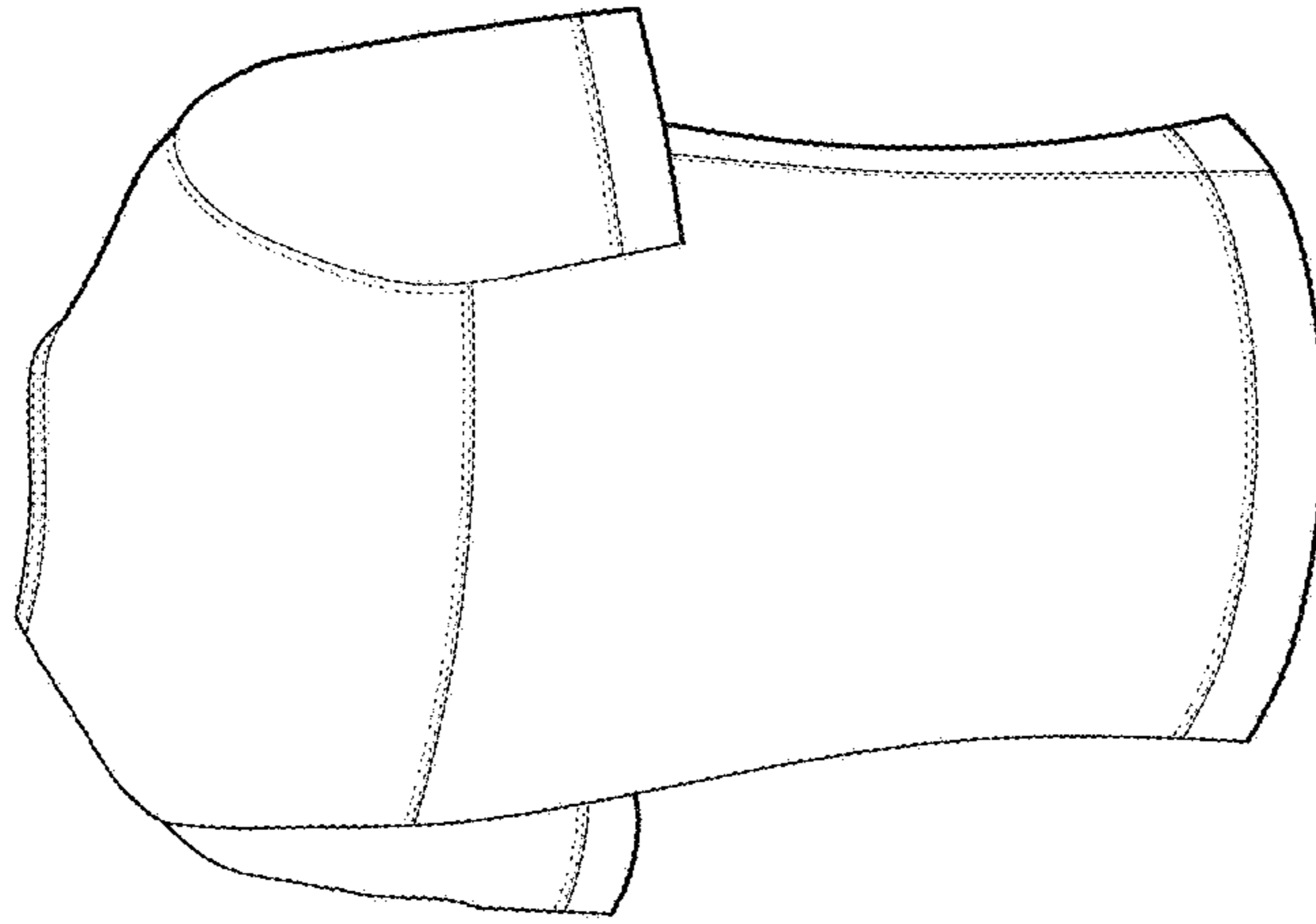


FIG. 9

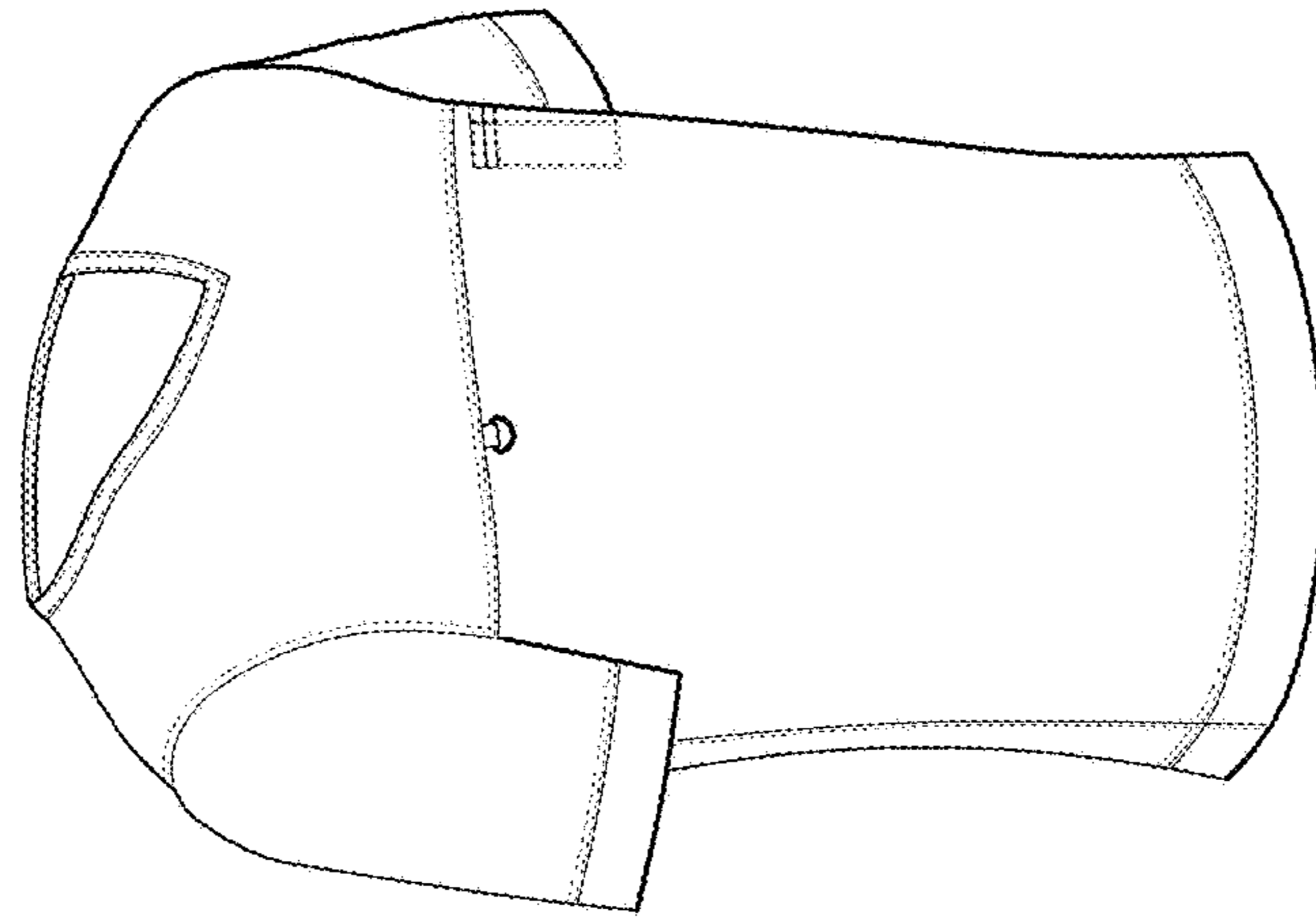


FIG. 8

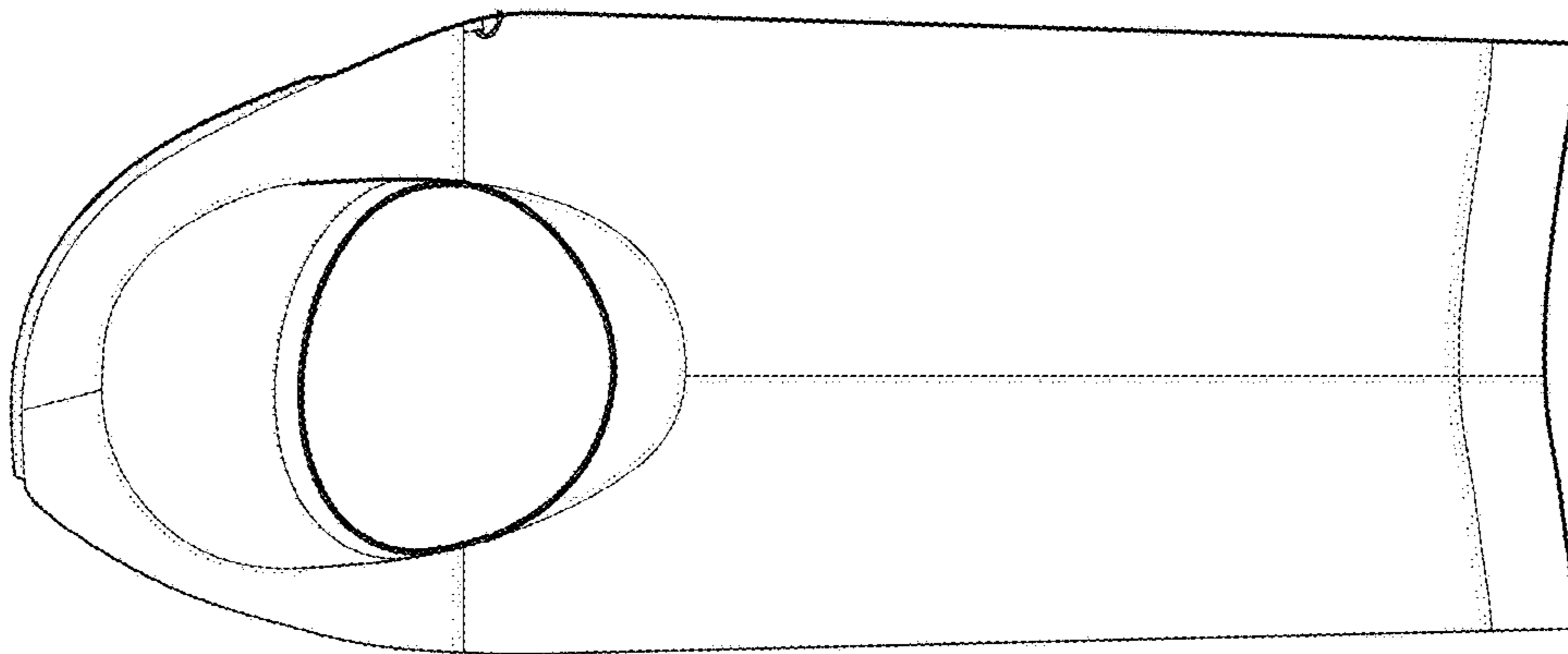


FIG. 10

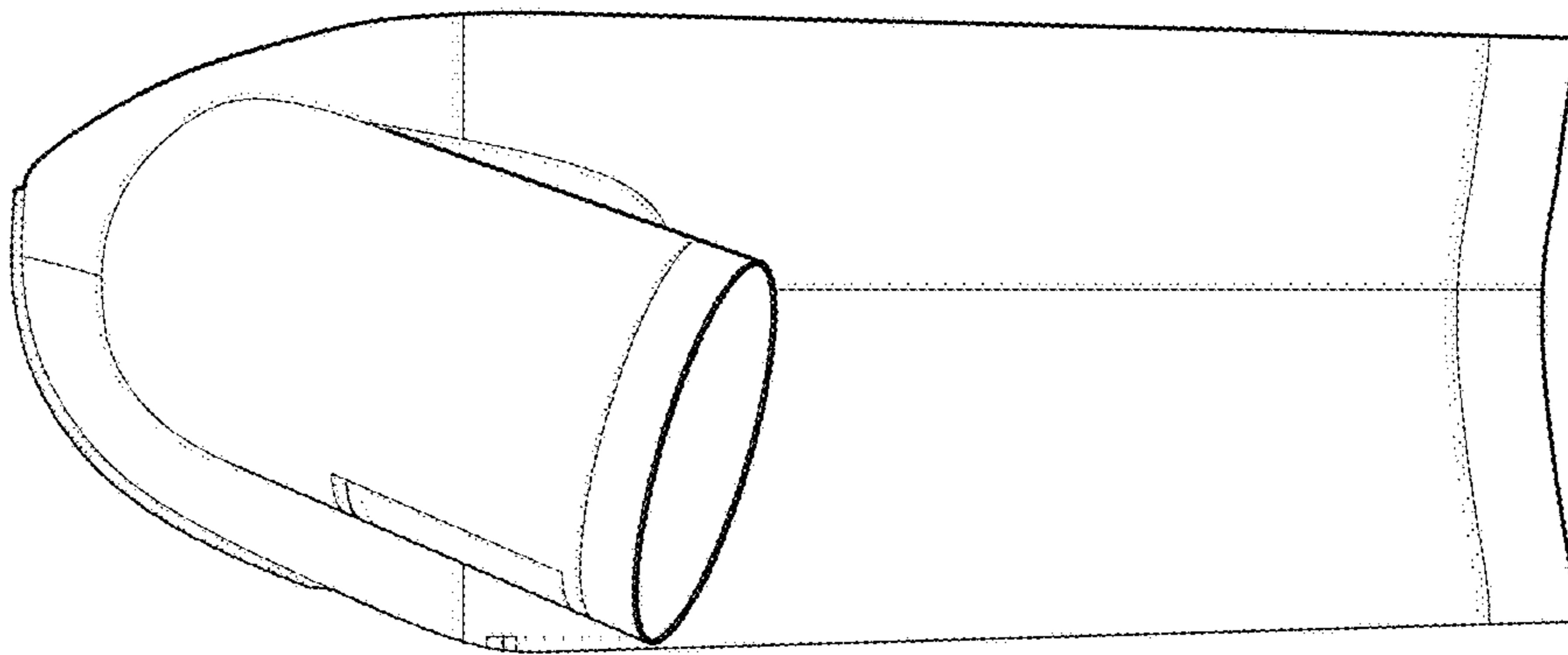


FIG. 11

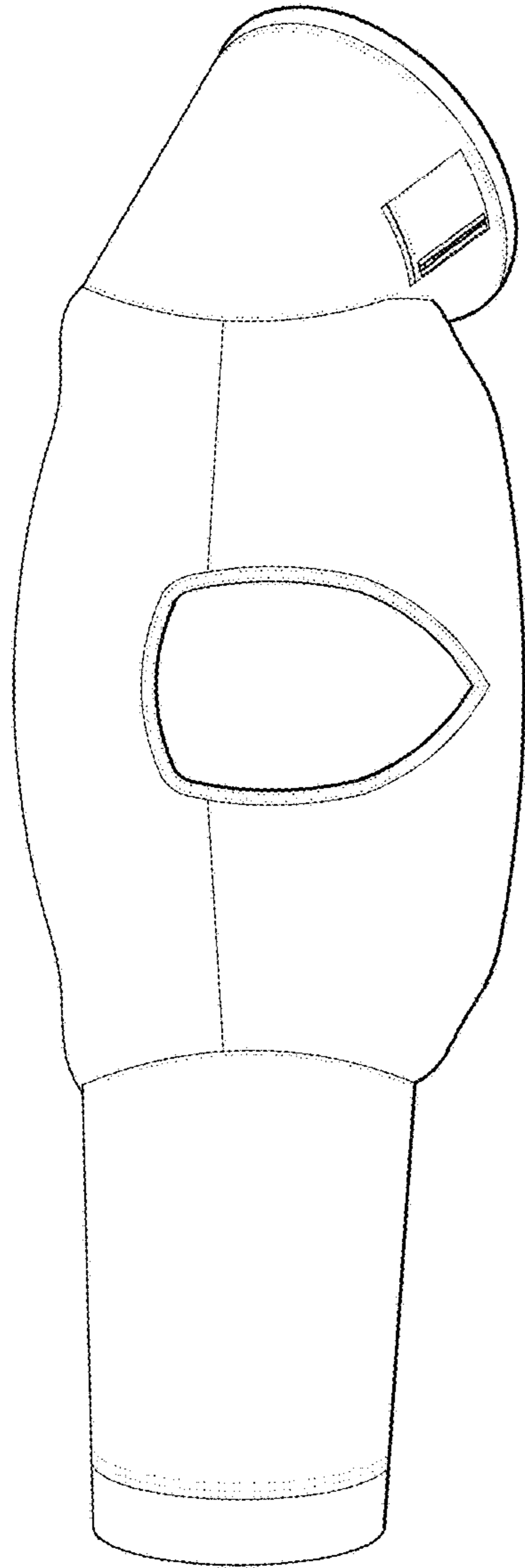


FIG. 12

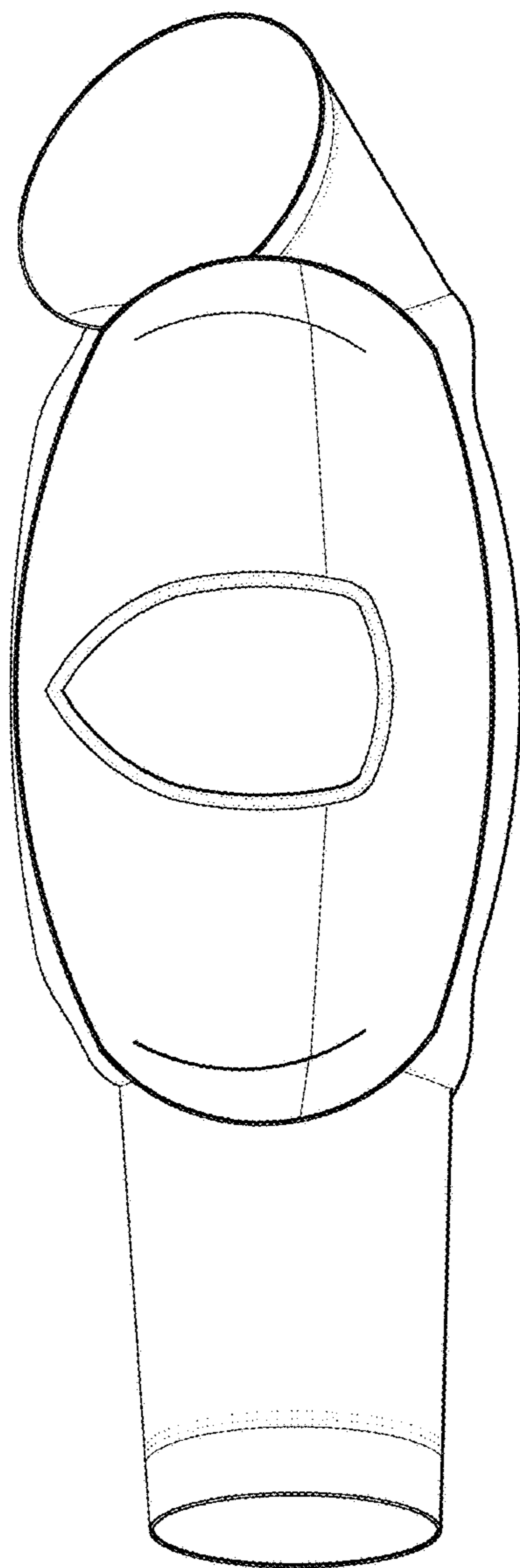


FIG. 13

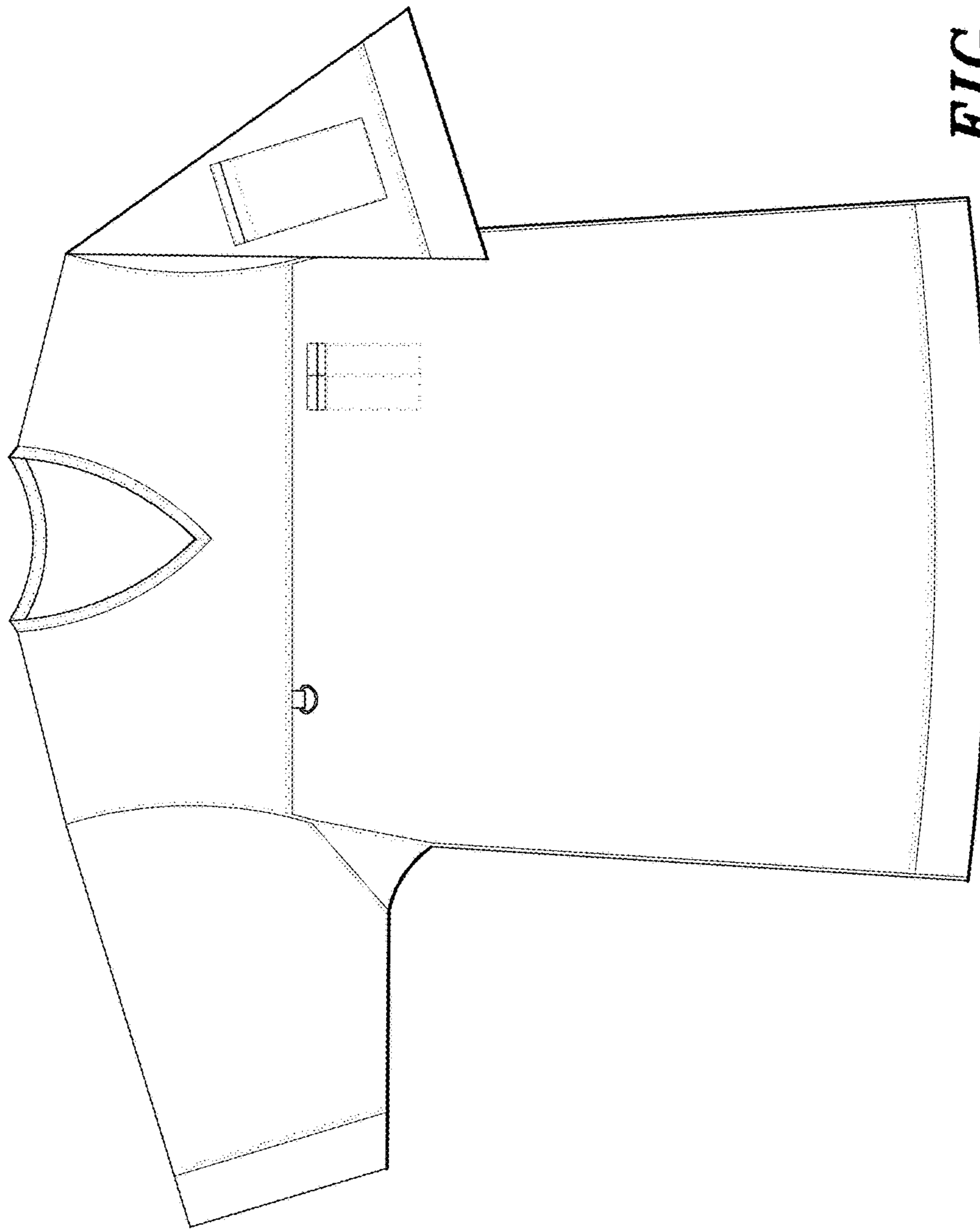


FIG. 14

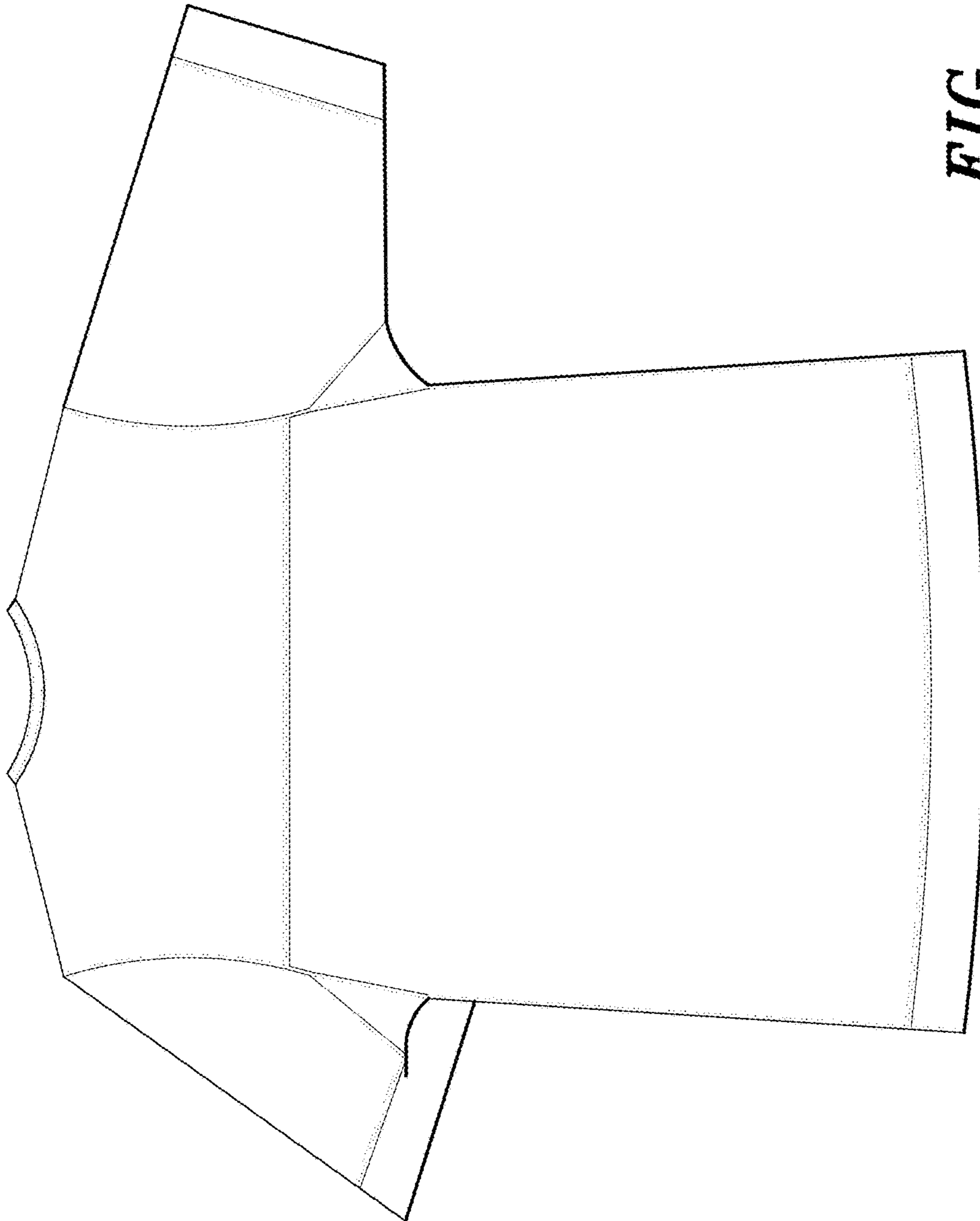


FIG. 15

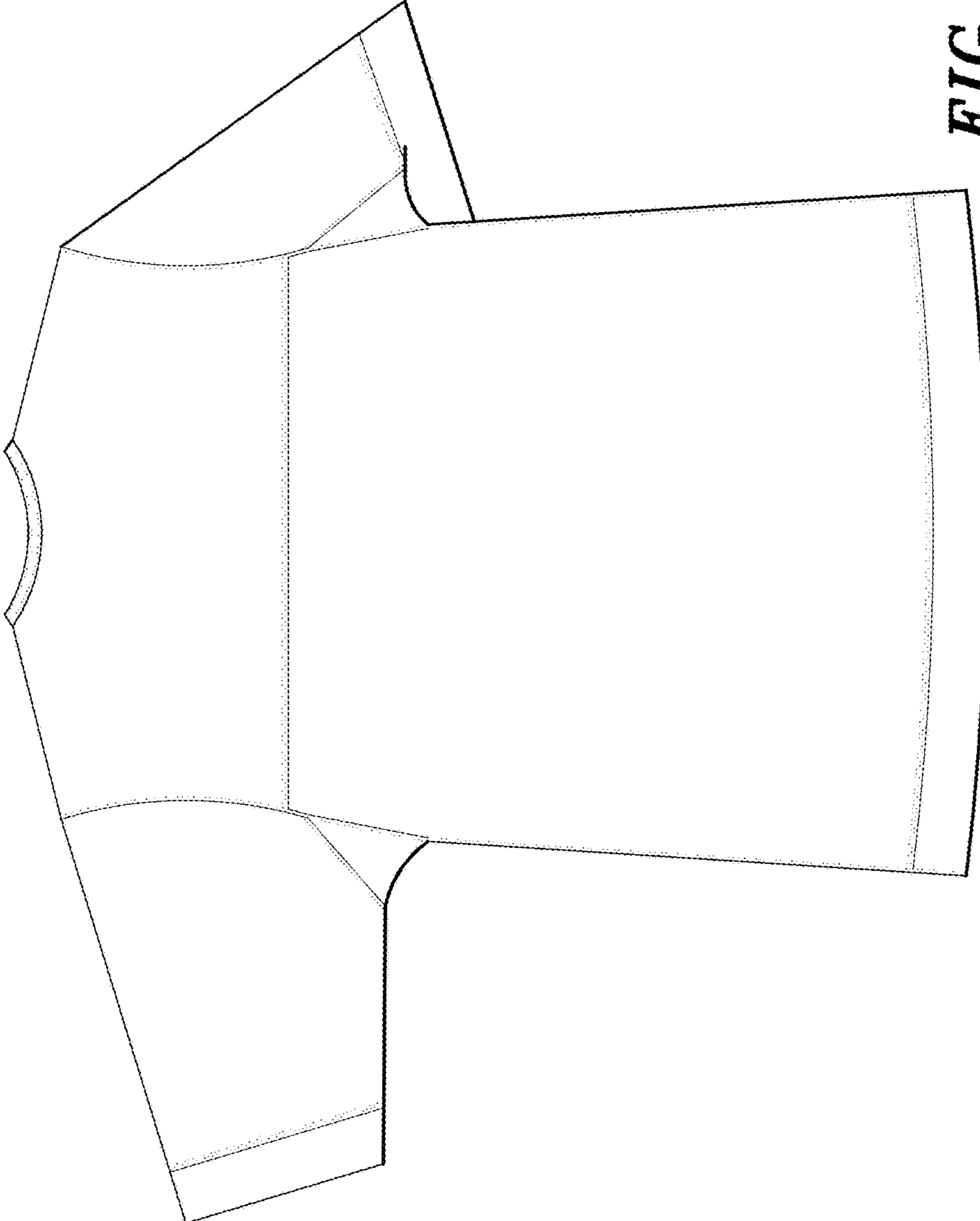


FIG. 16

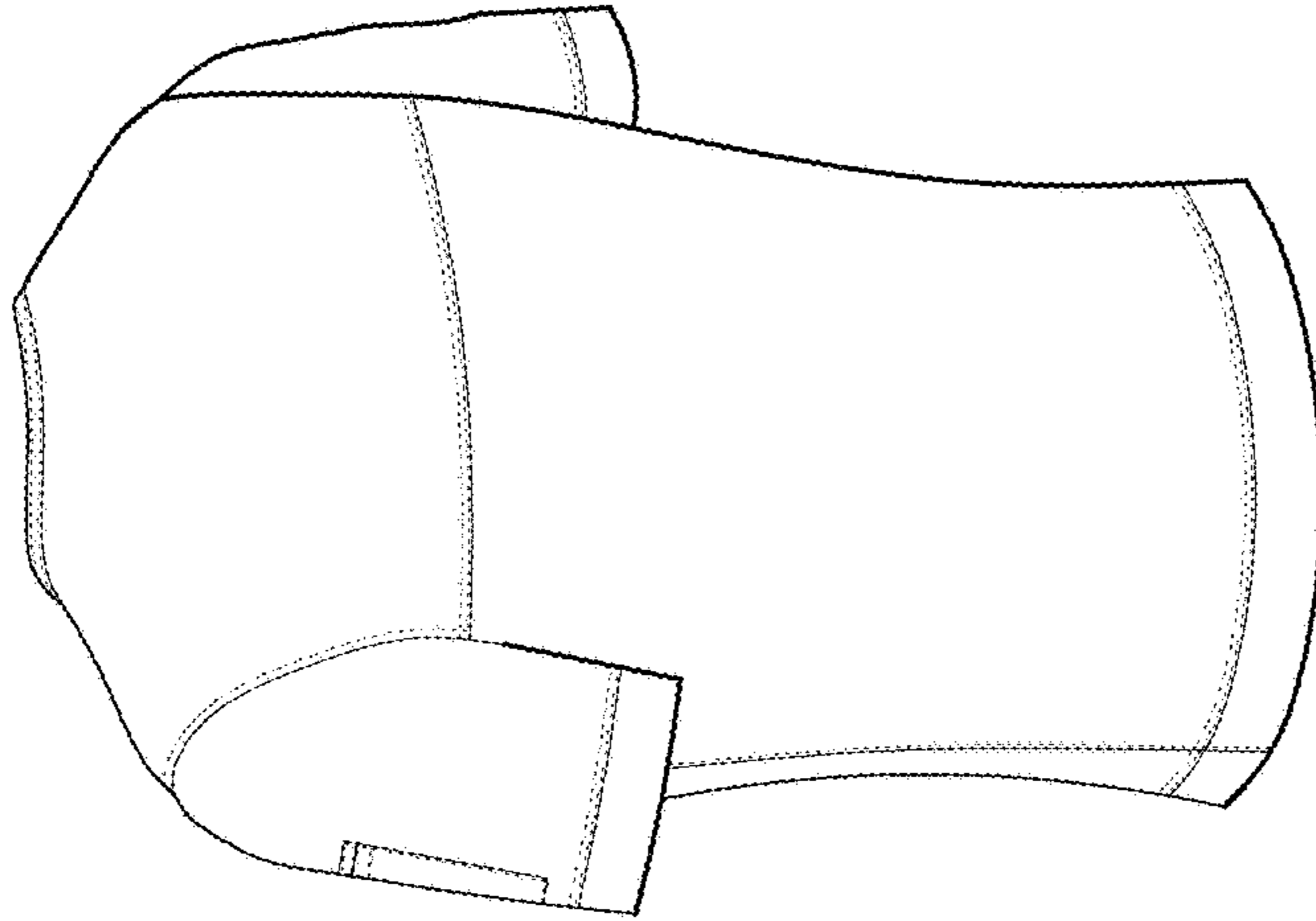


FIG. 18

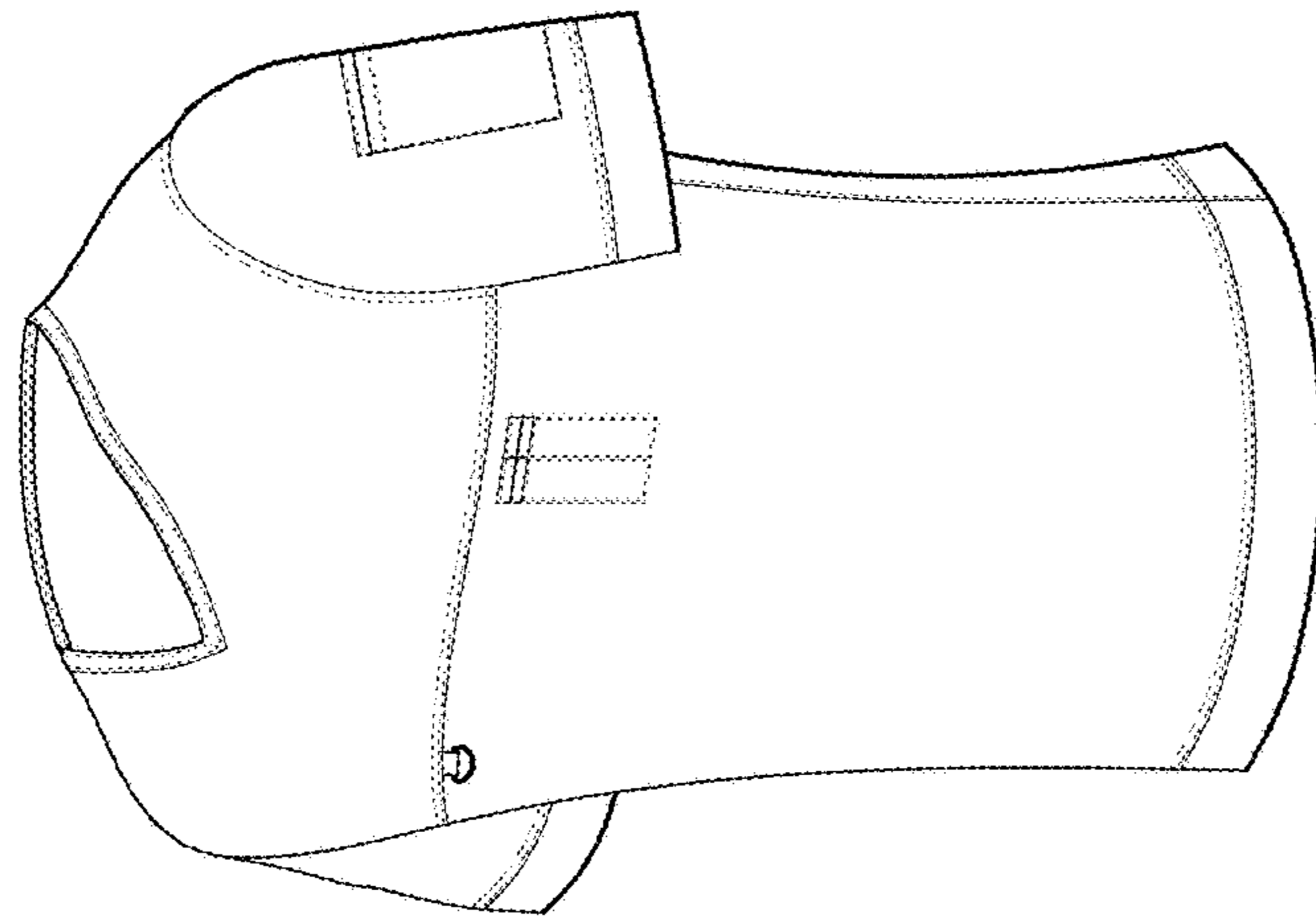


FIG. 17

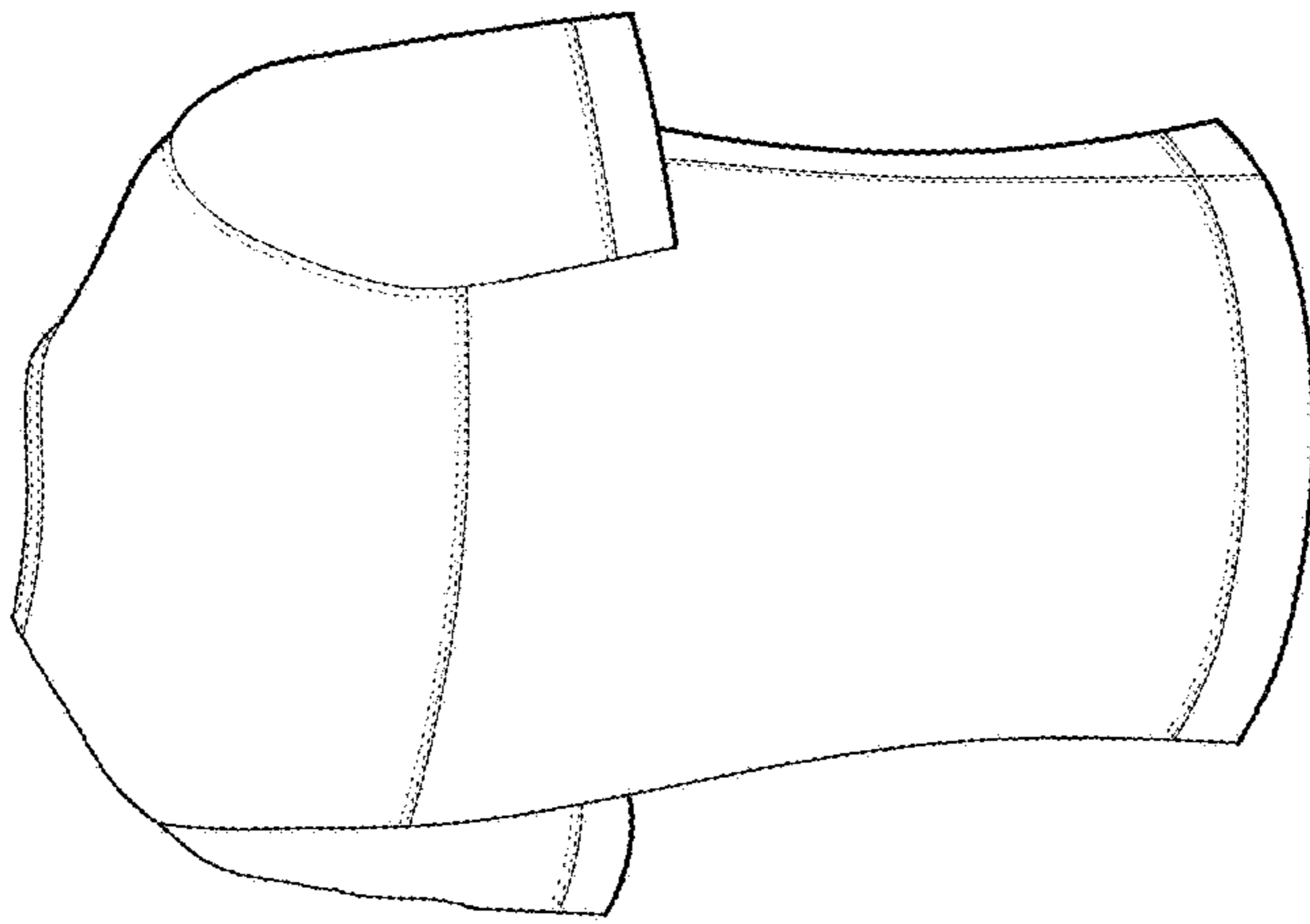


FIG. 20

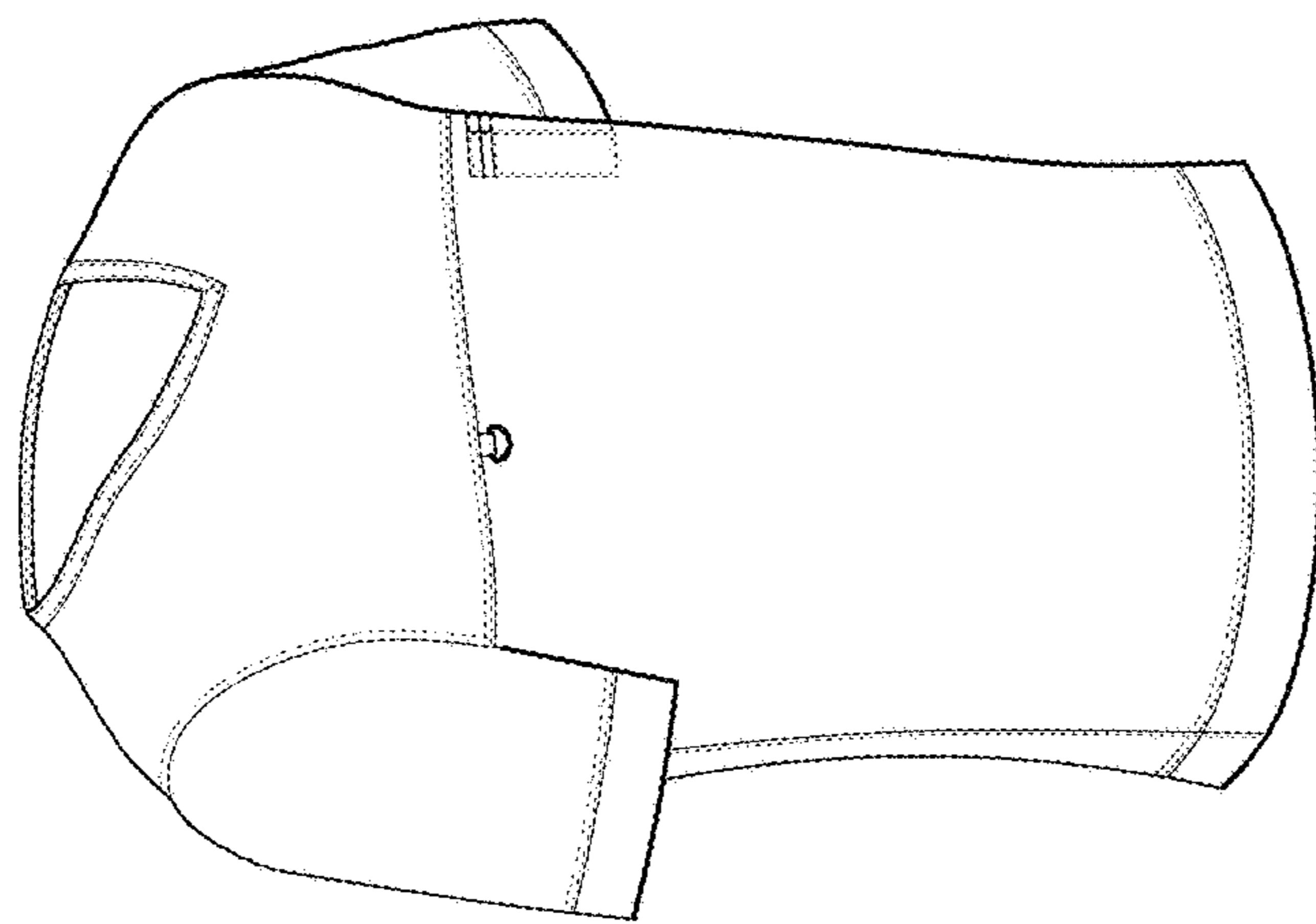


FIG. 19

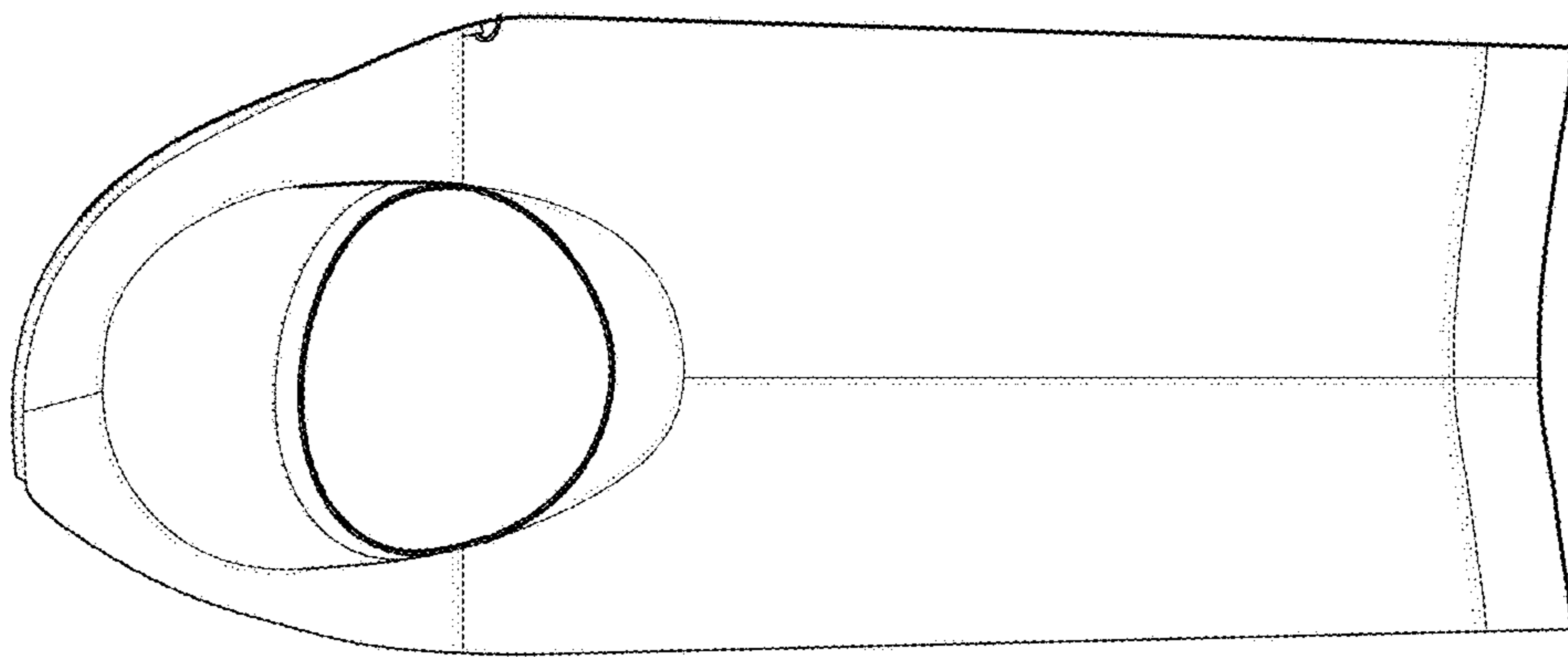


FIG. 21

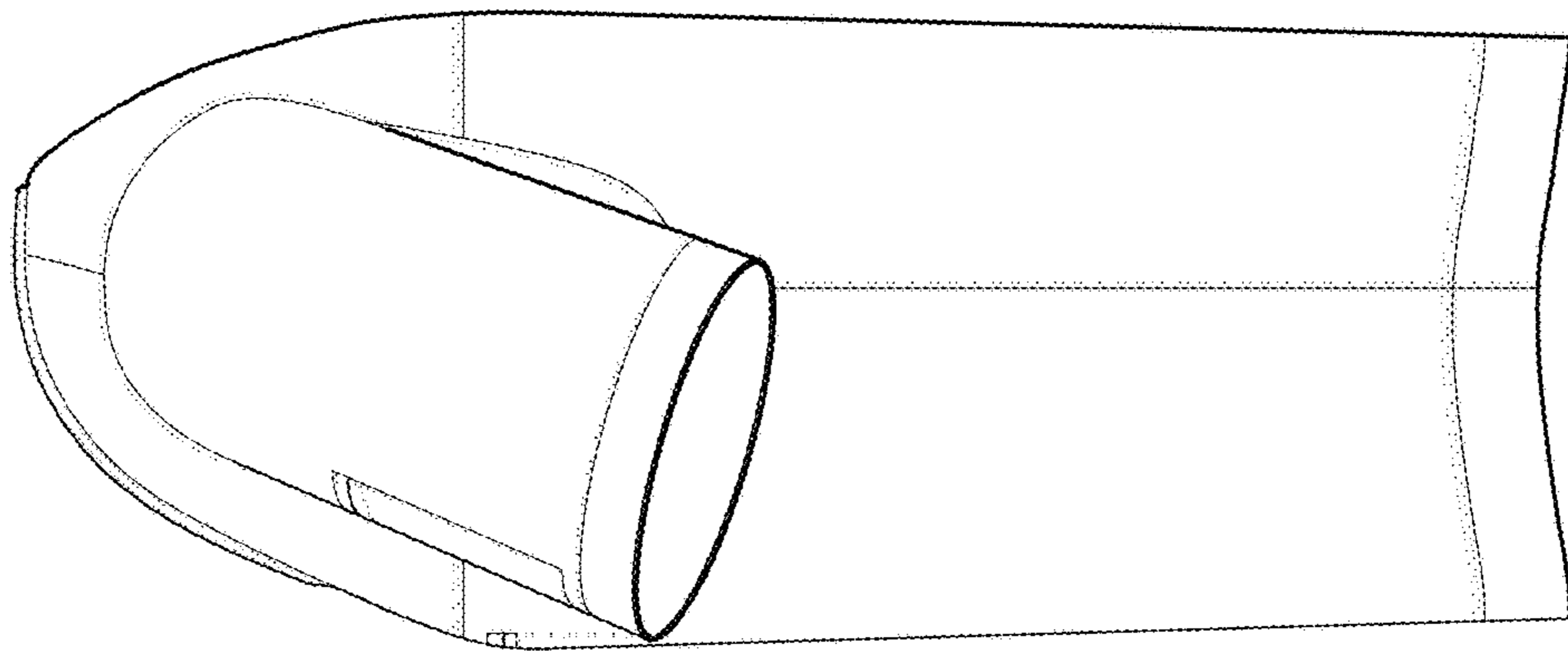


FIG. 22

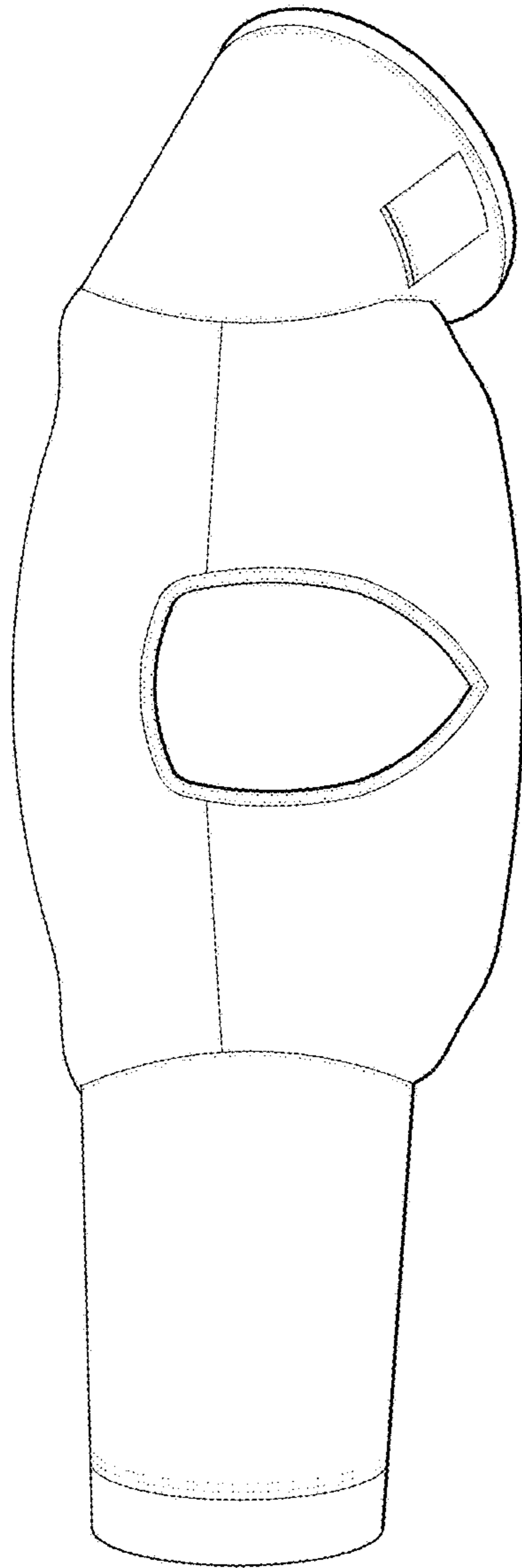


FIG. 23

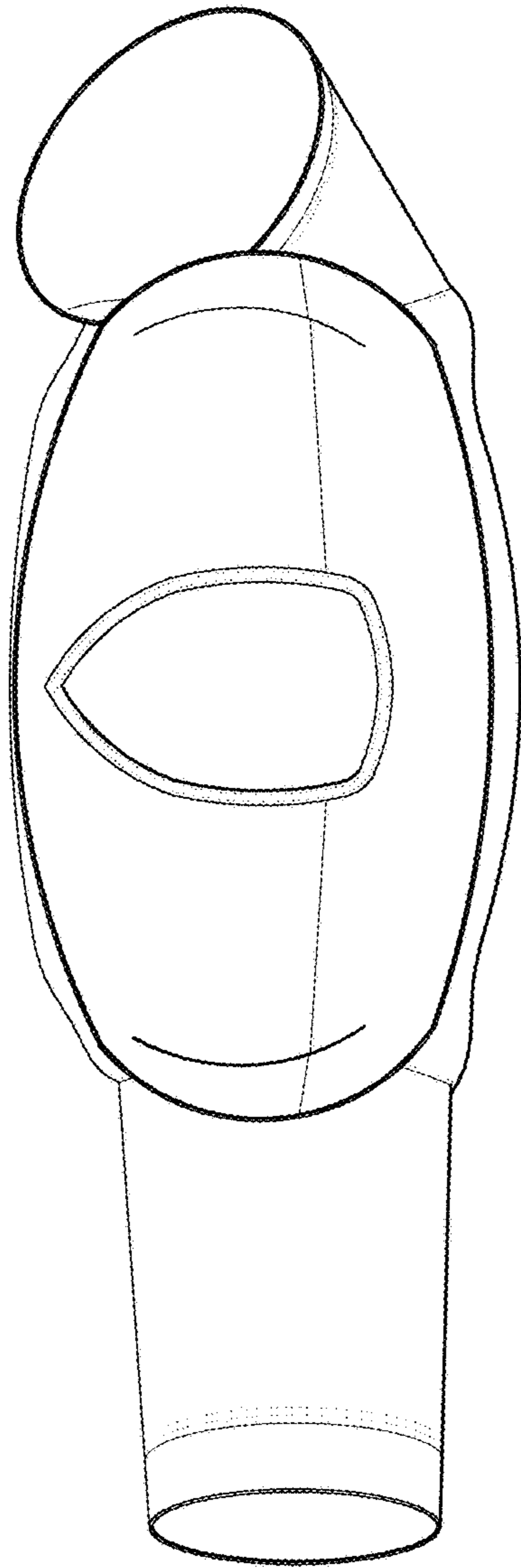


FIG. 24

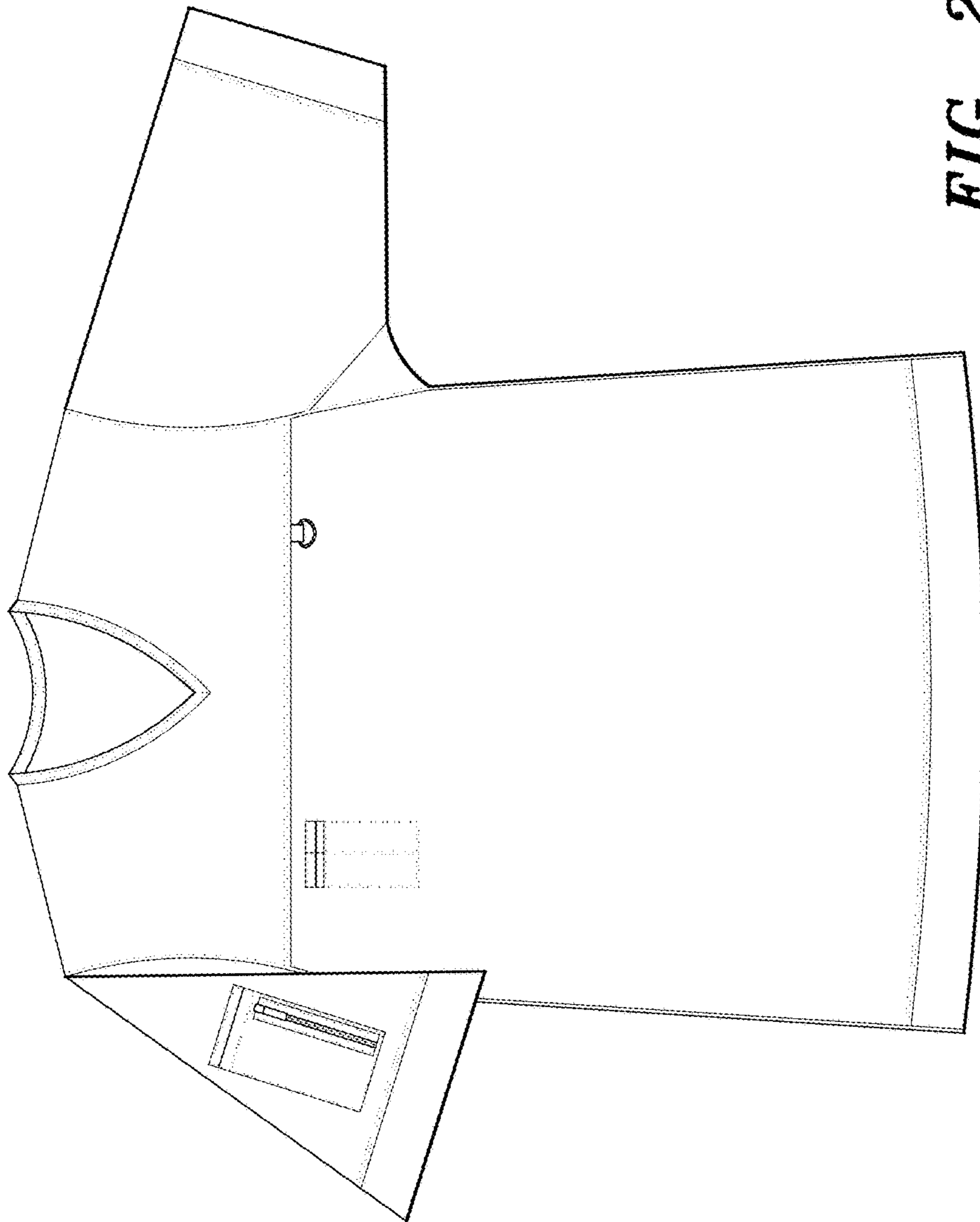


FIG. 25

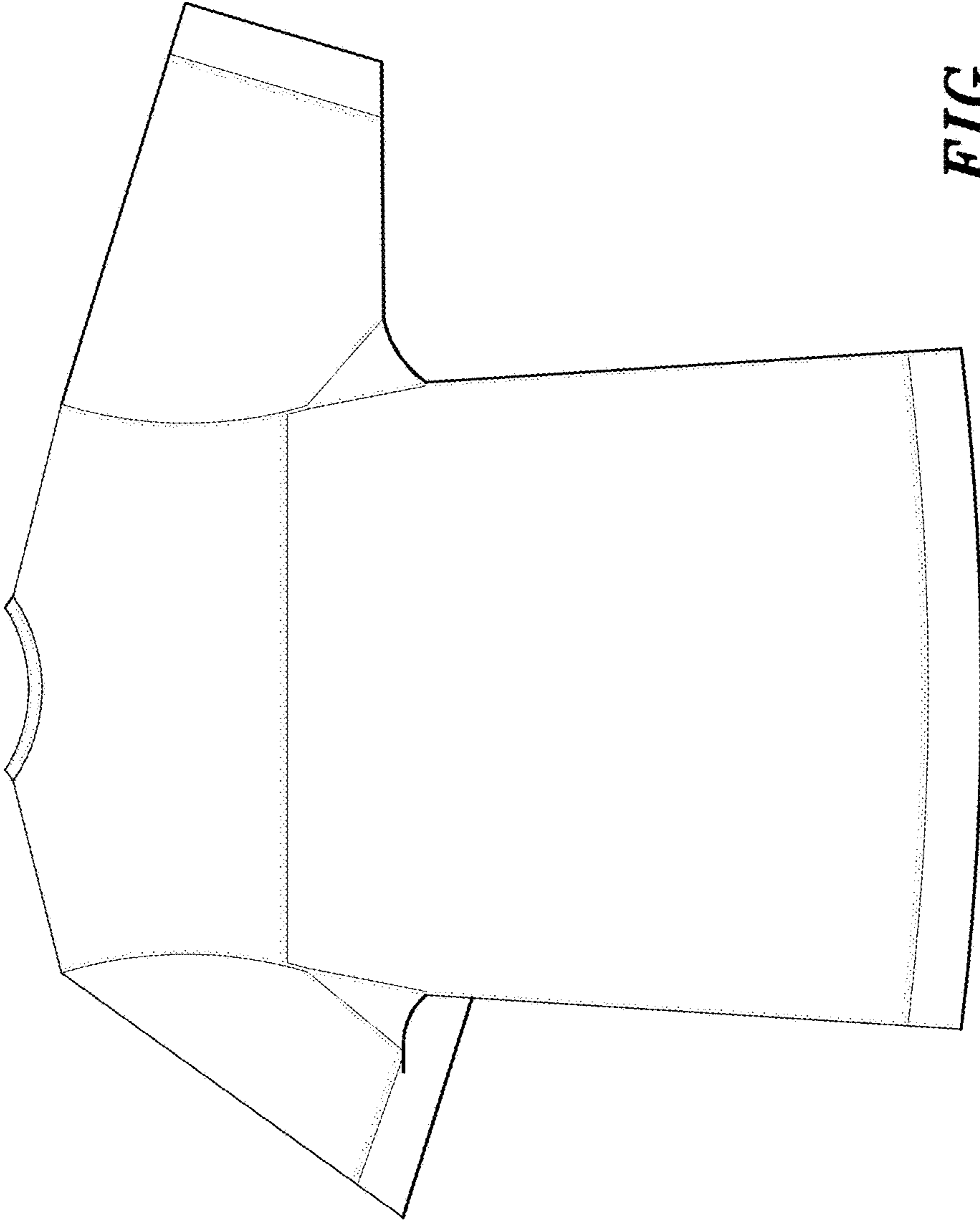


FIG. 26

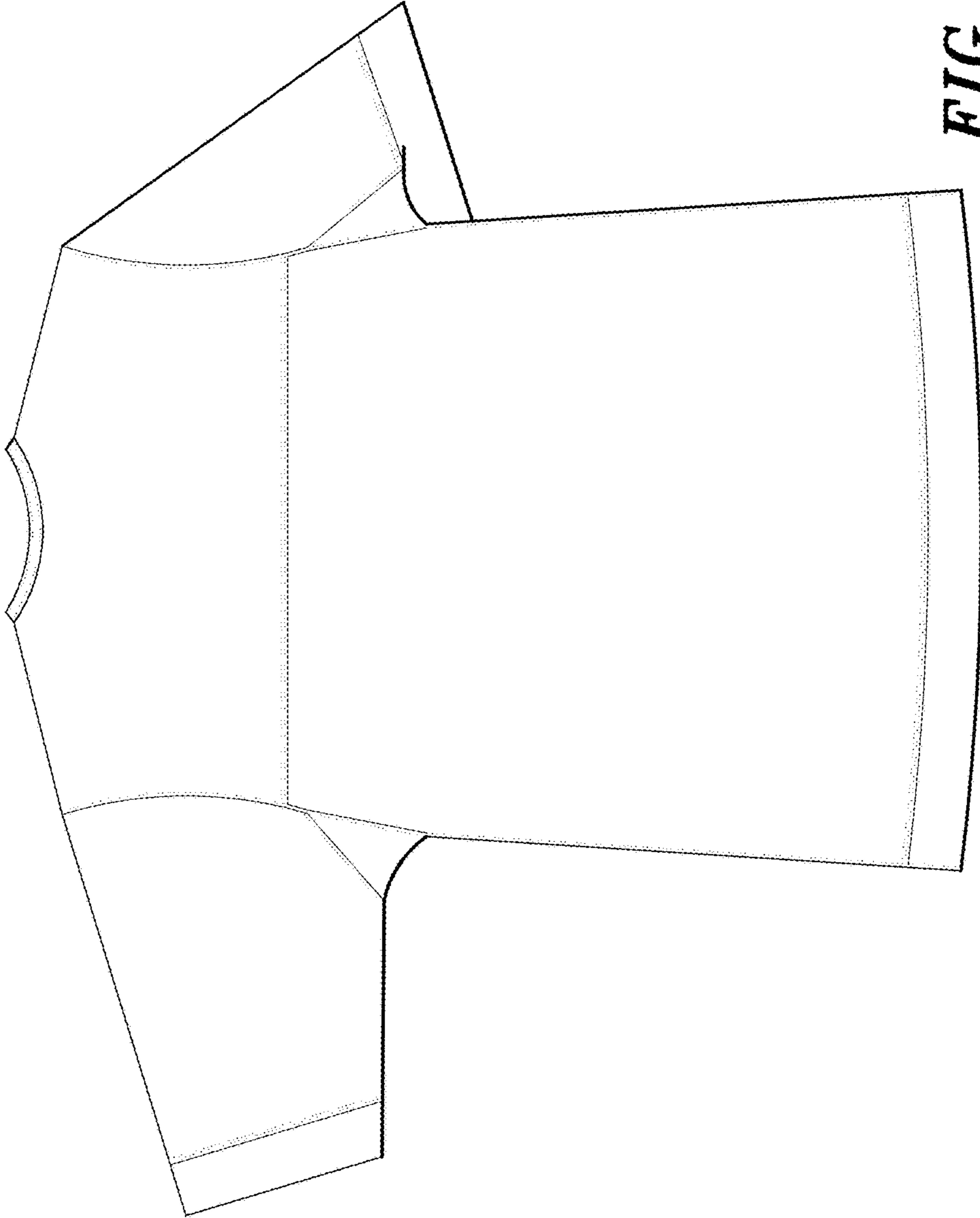


FIG. 27

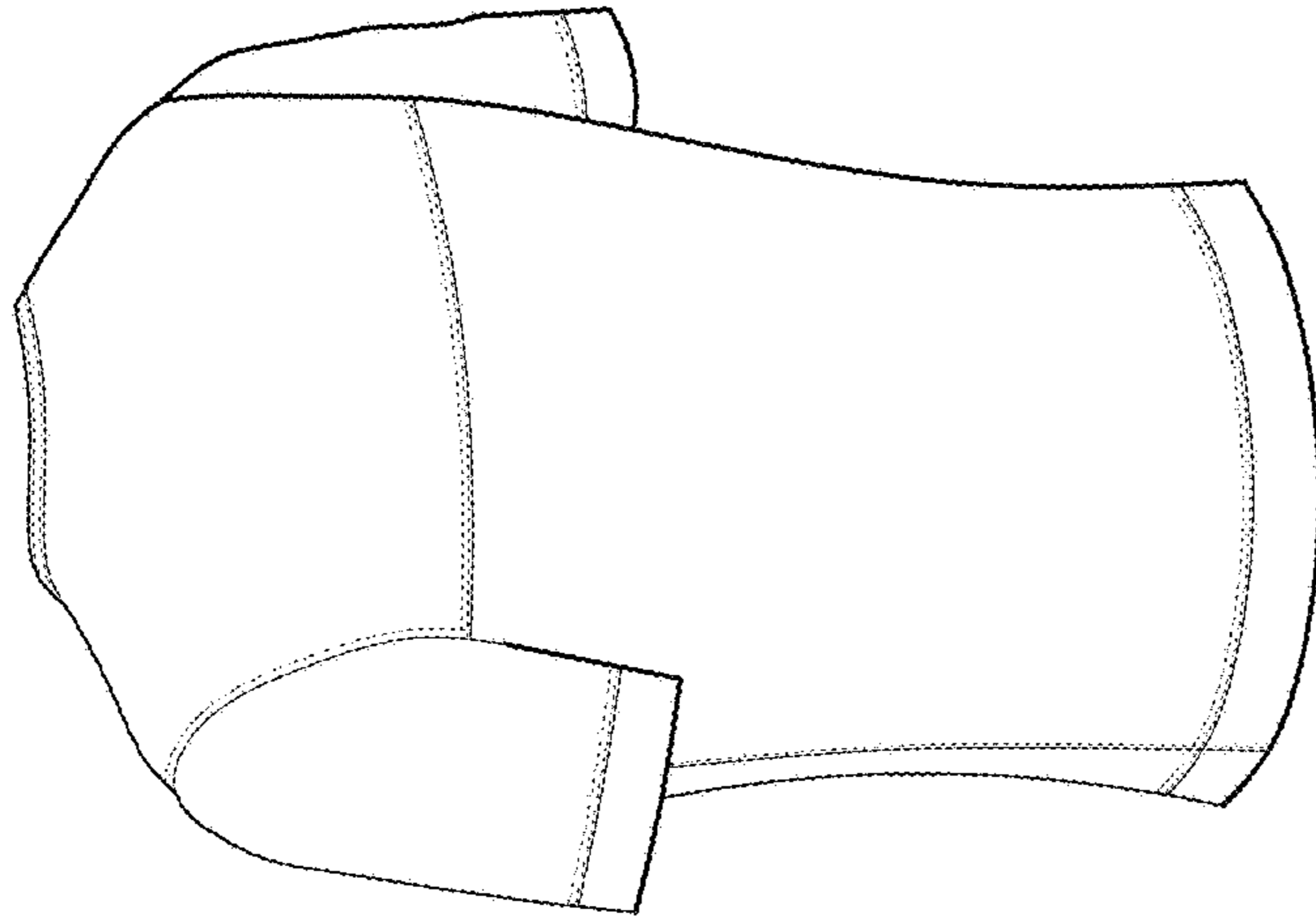


FIG. 29

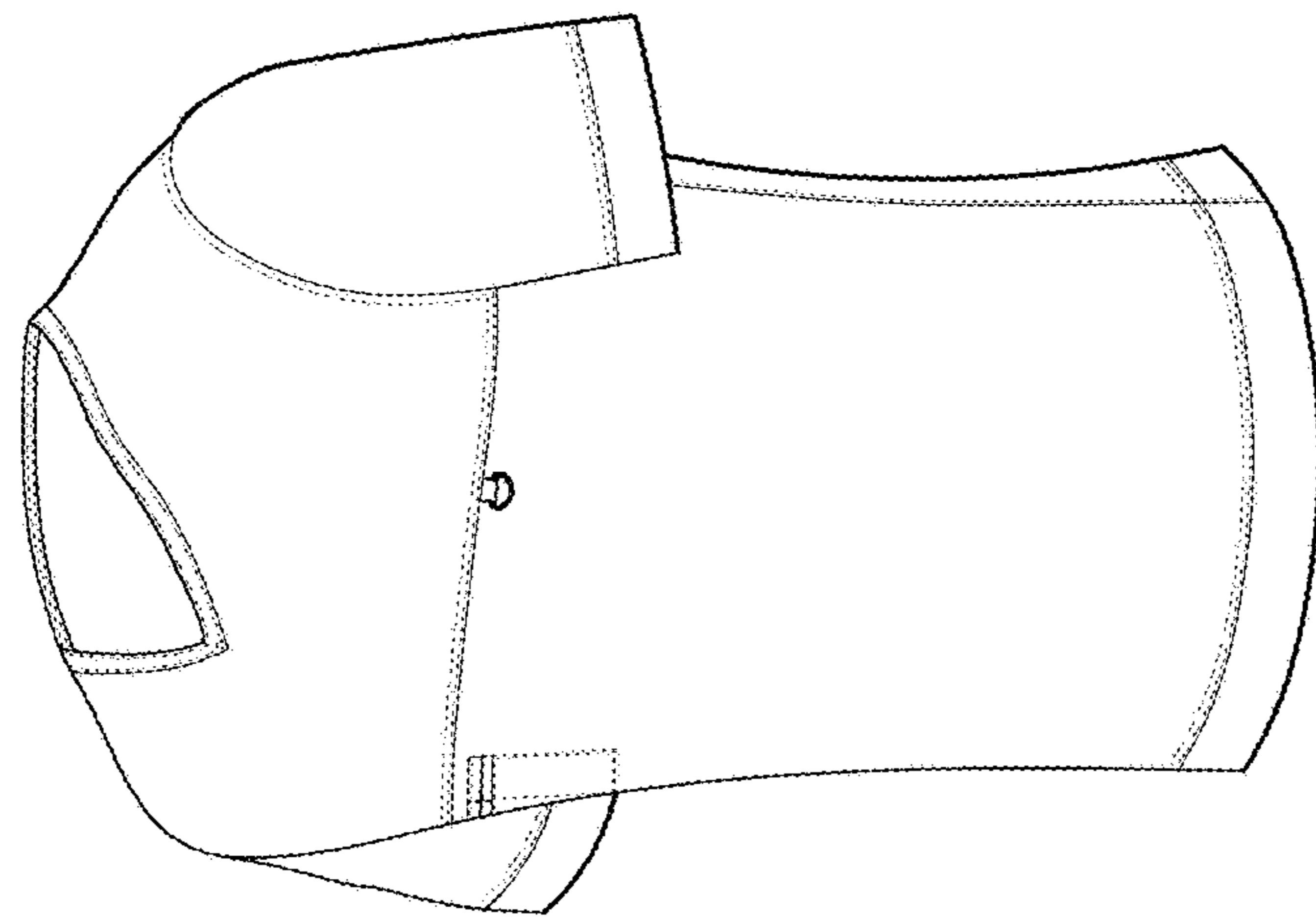


FIG. 28

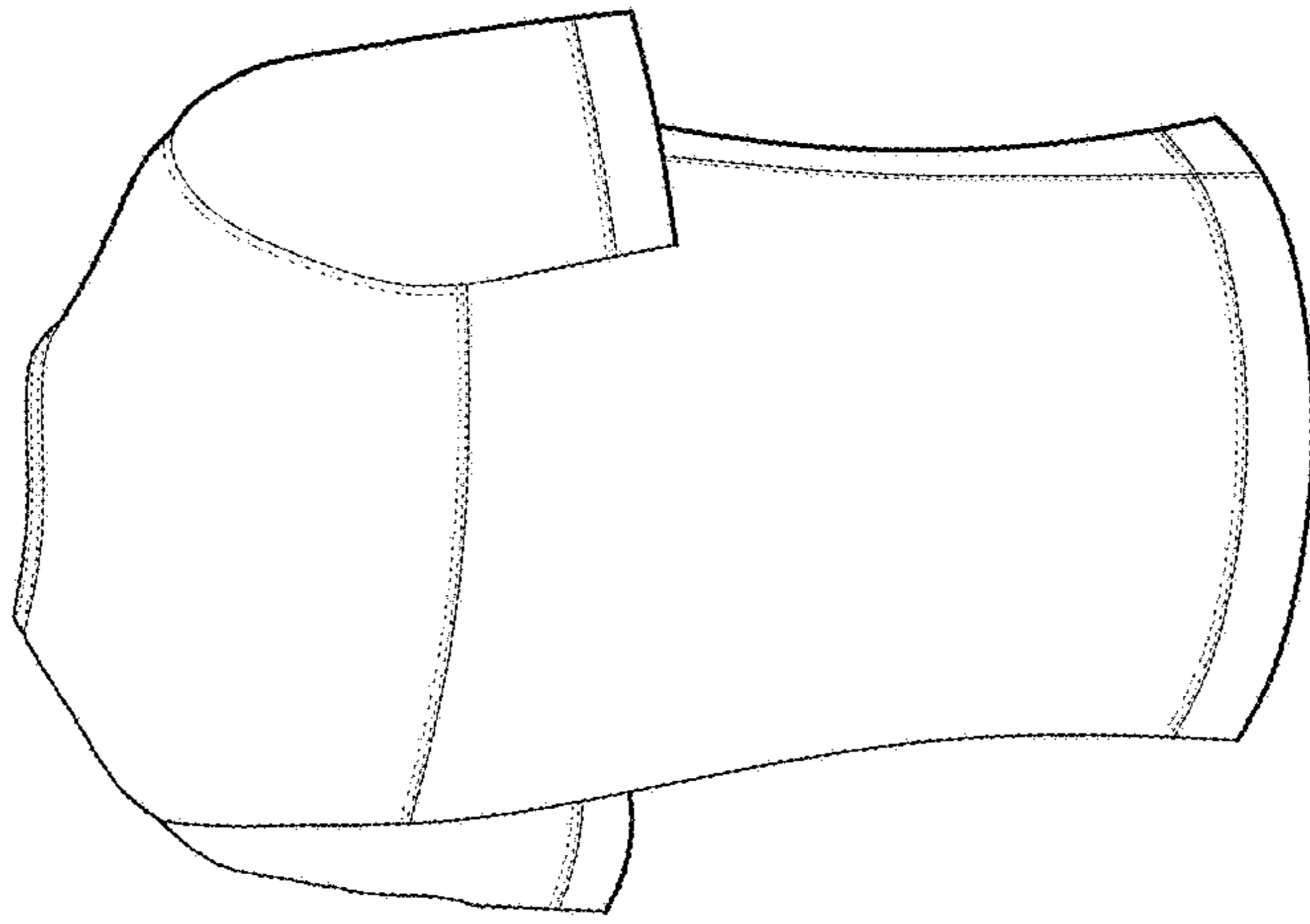


FIG. 31

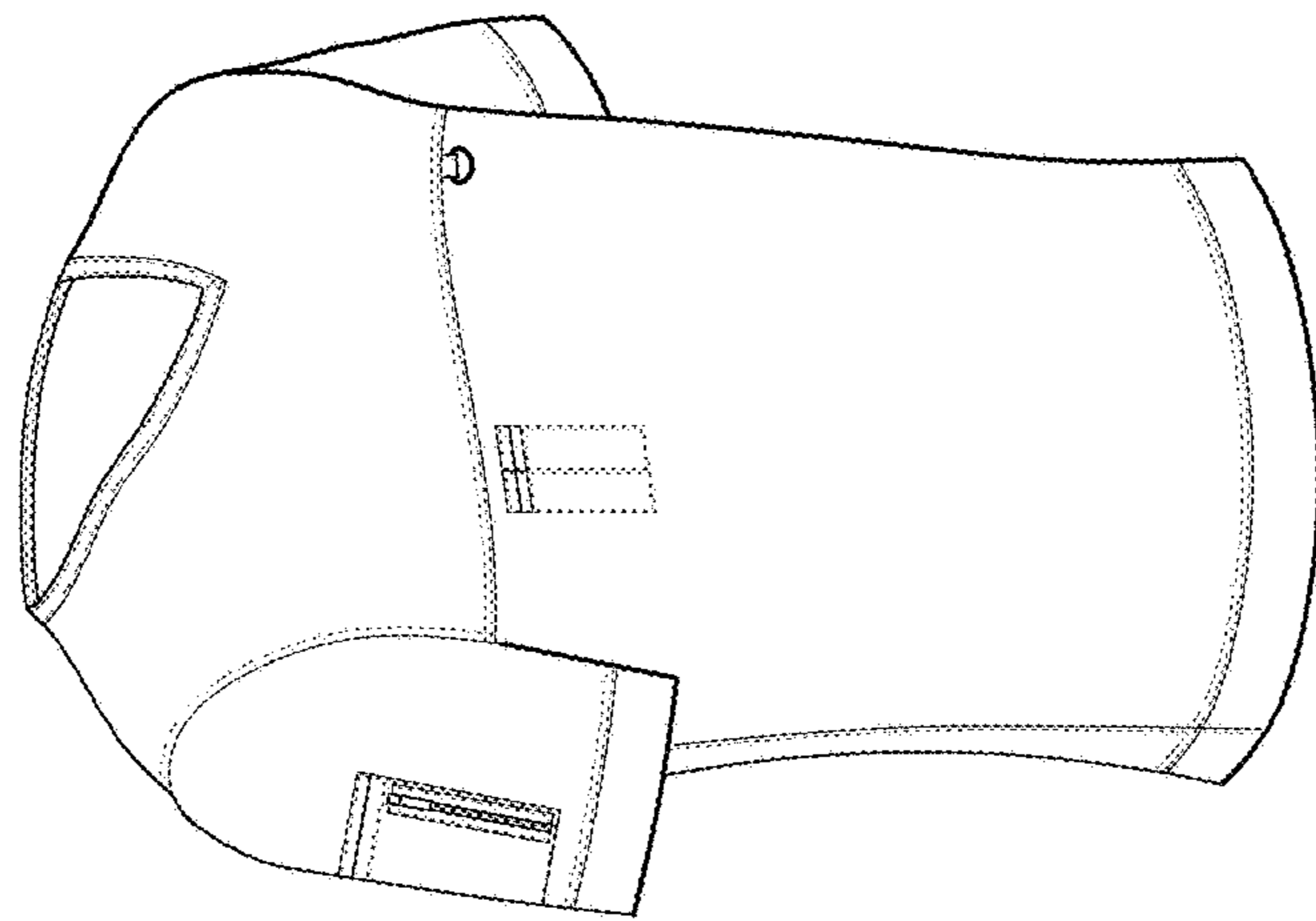


FIG. 30

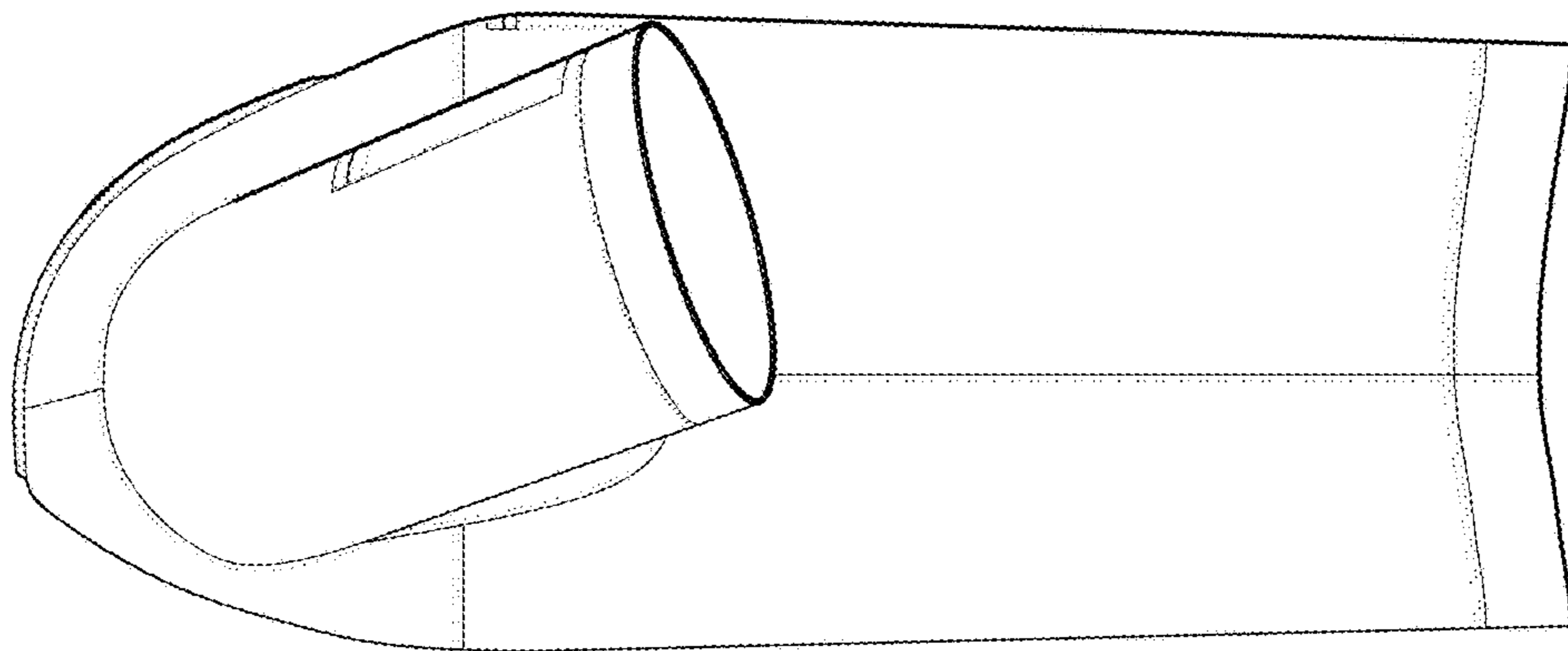


FIG. 32

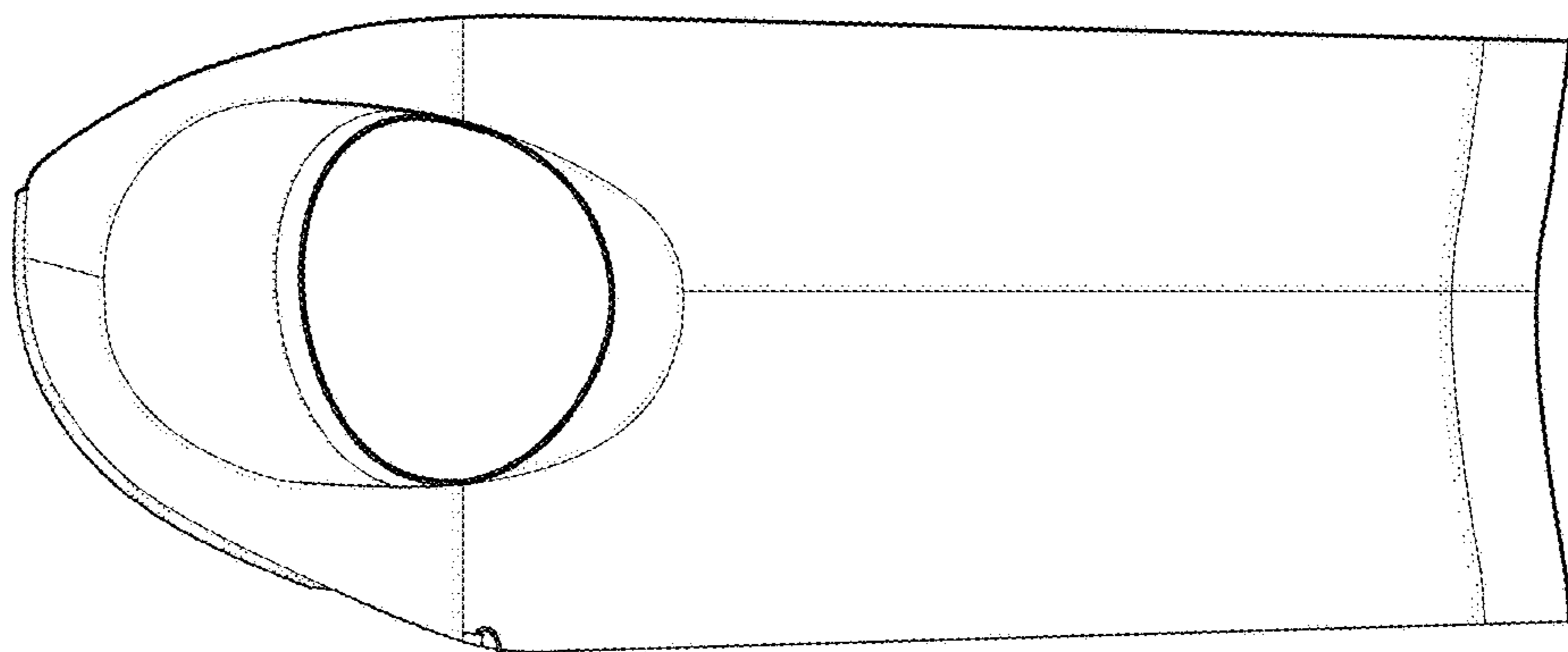


FIG. 33

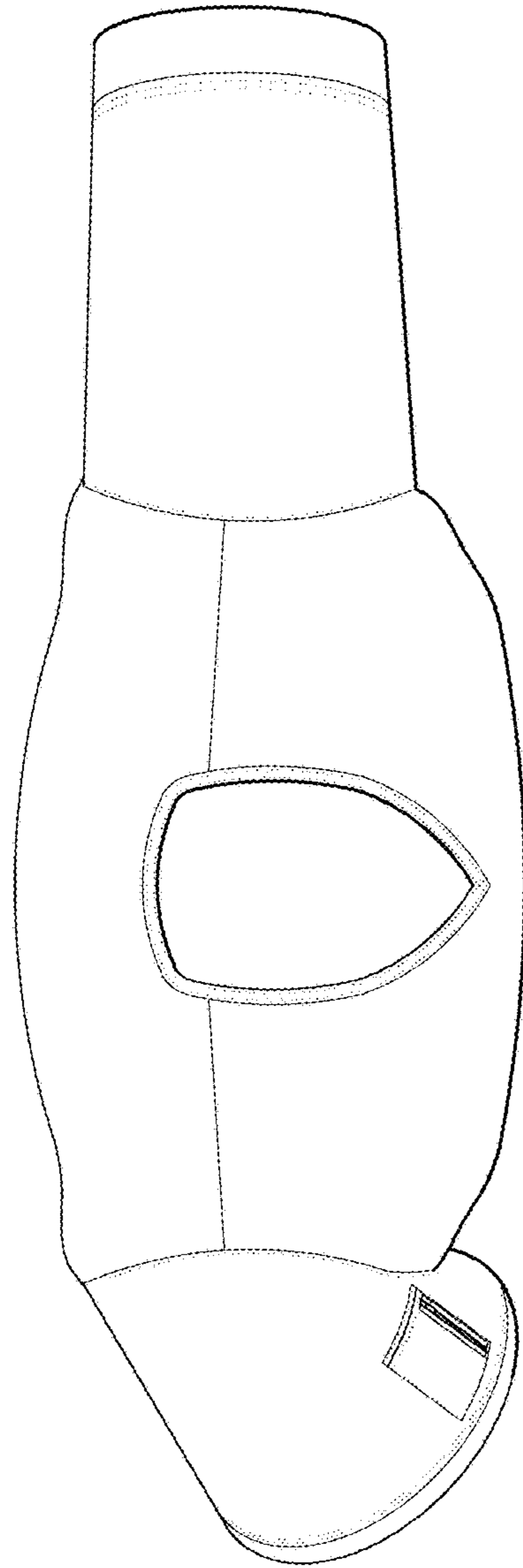


FIG. 34

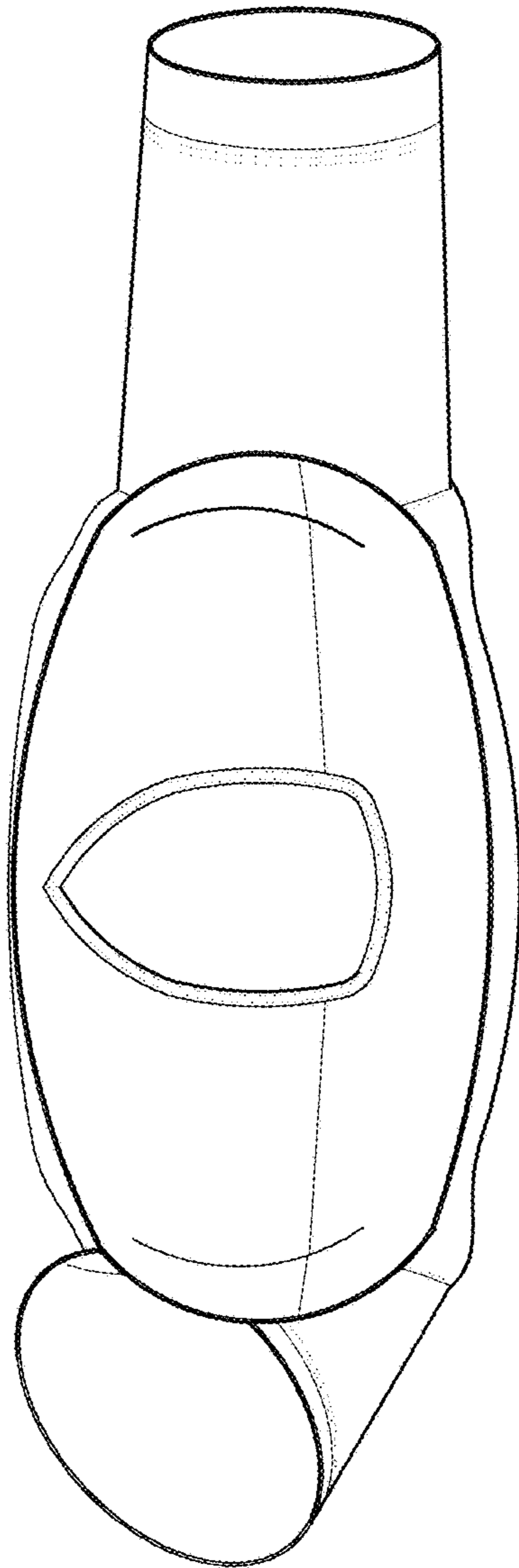


FIG. 35

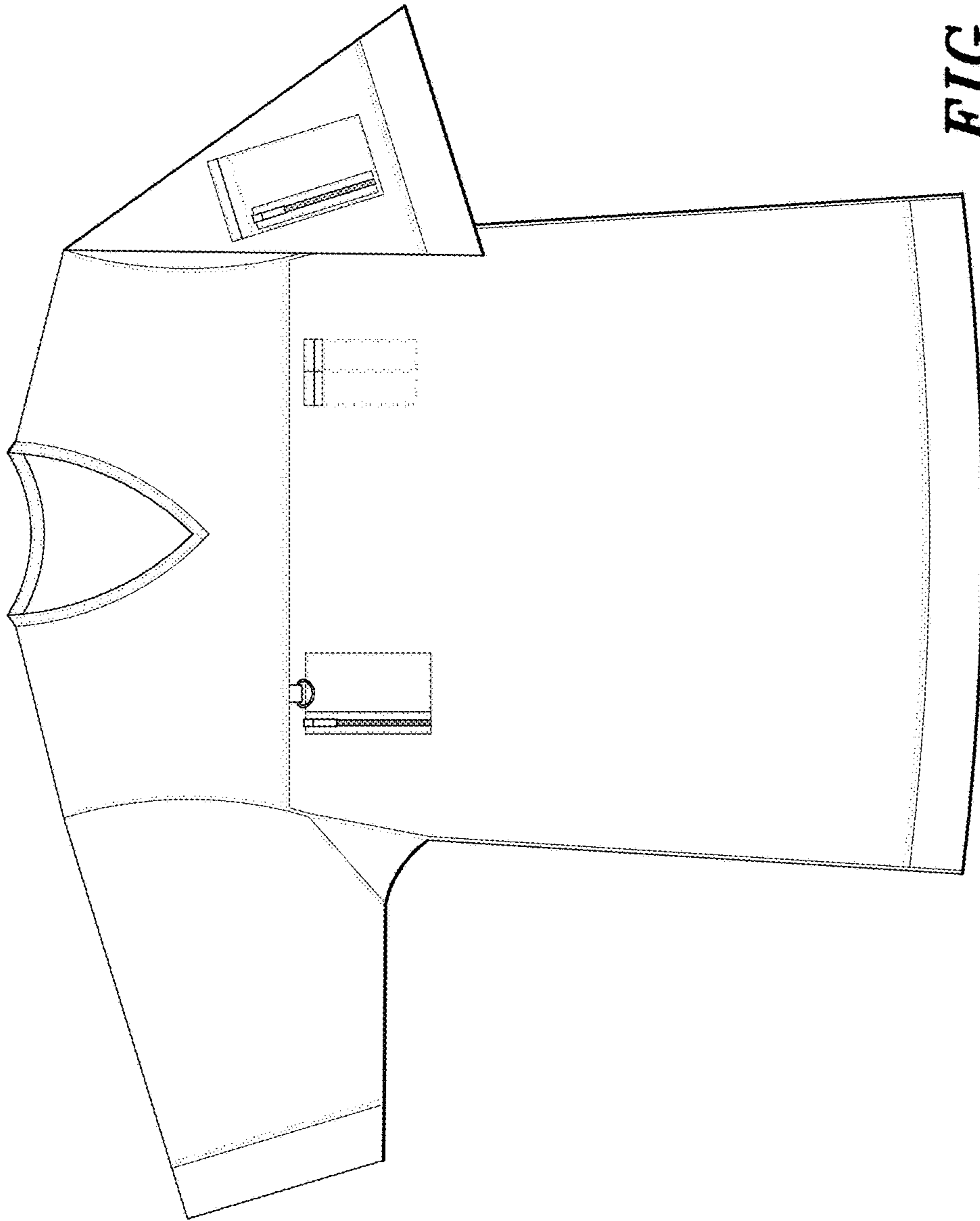


FIG. 36

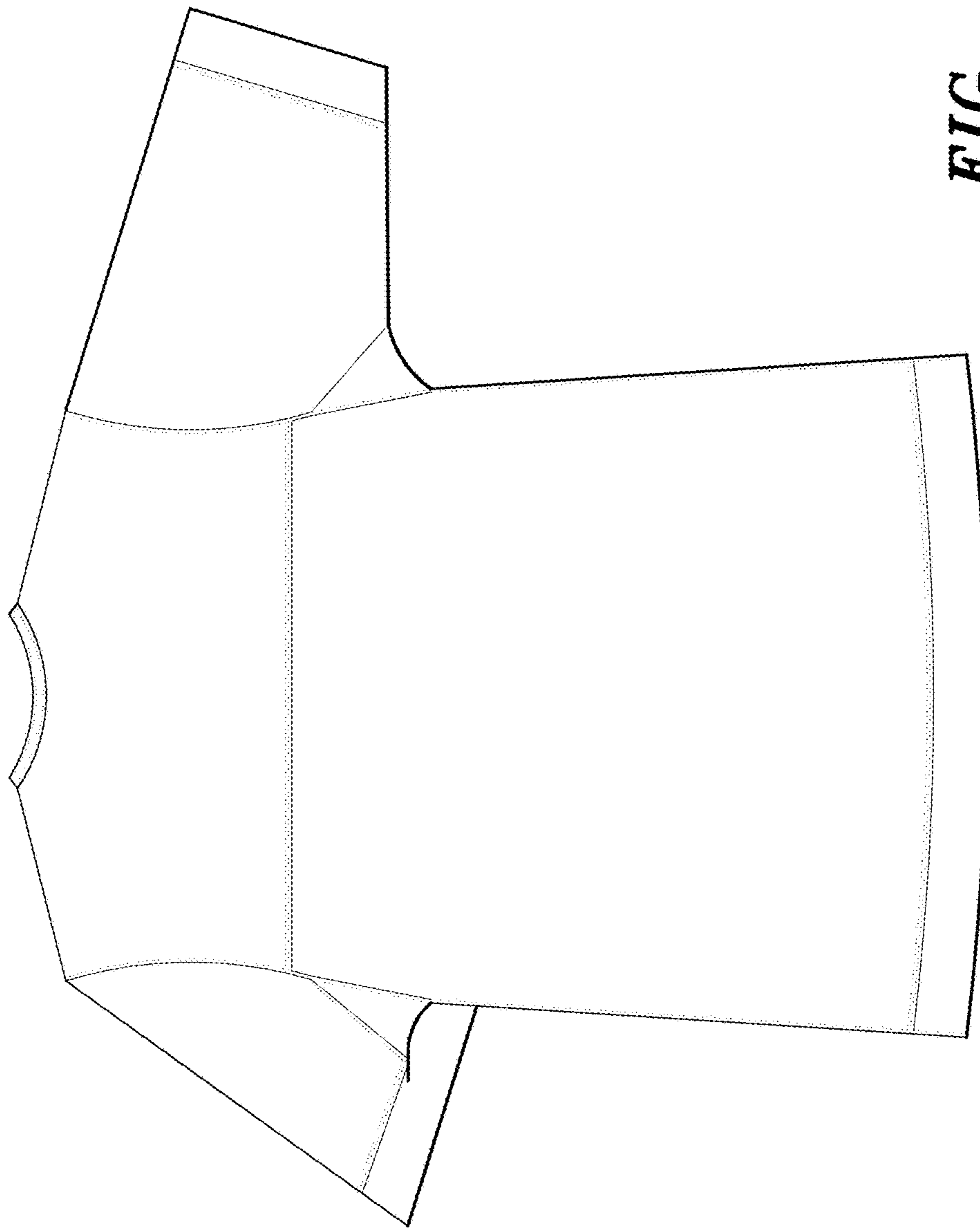


FIG. 37

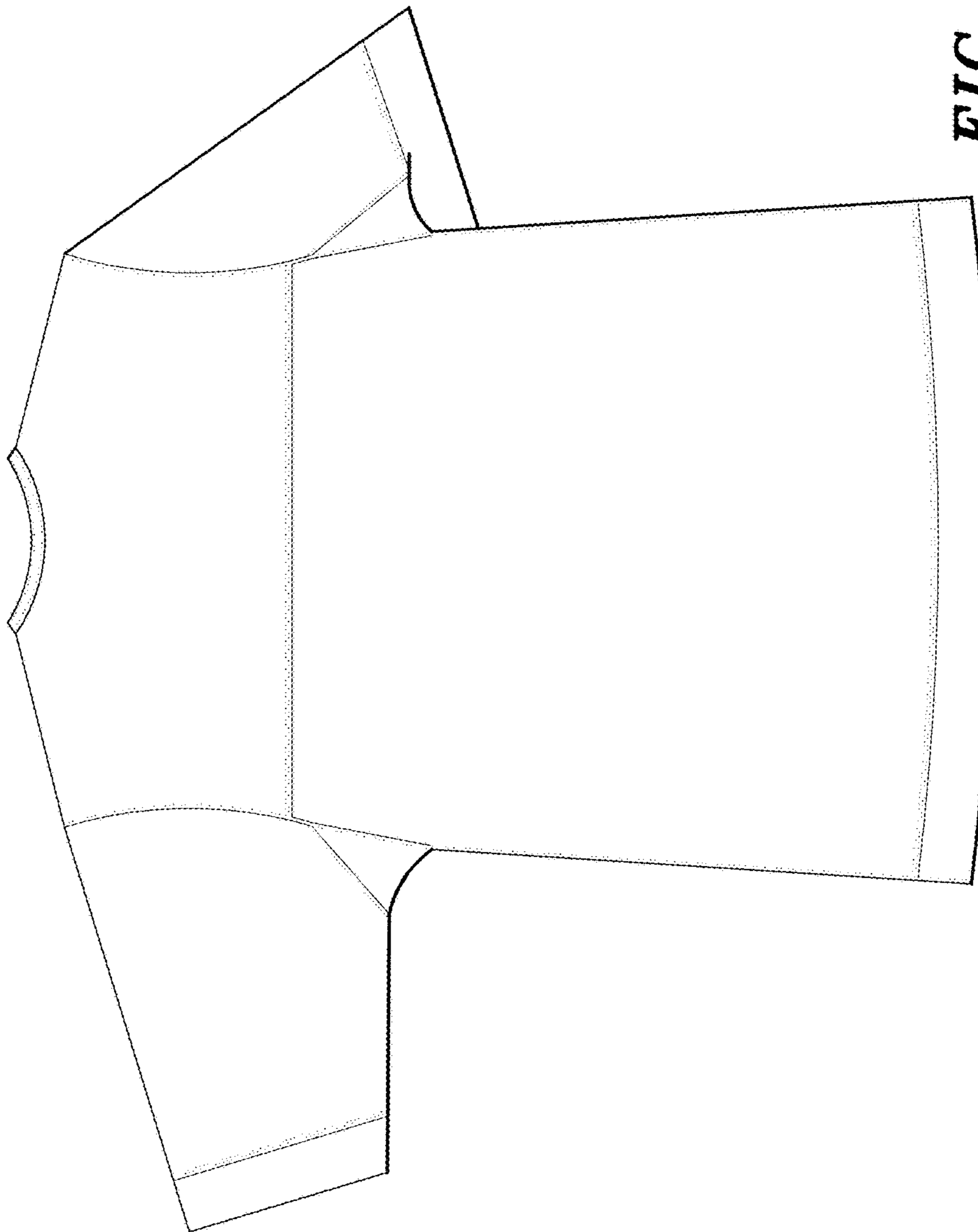


FIG. 38

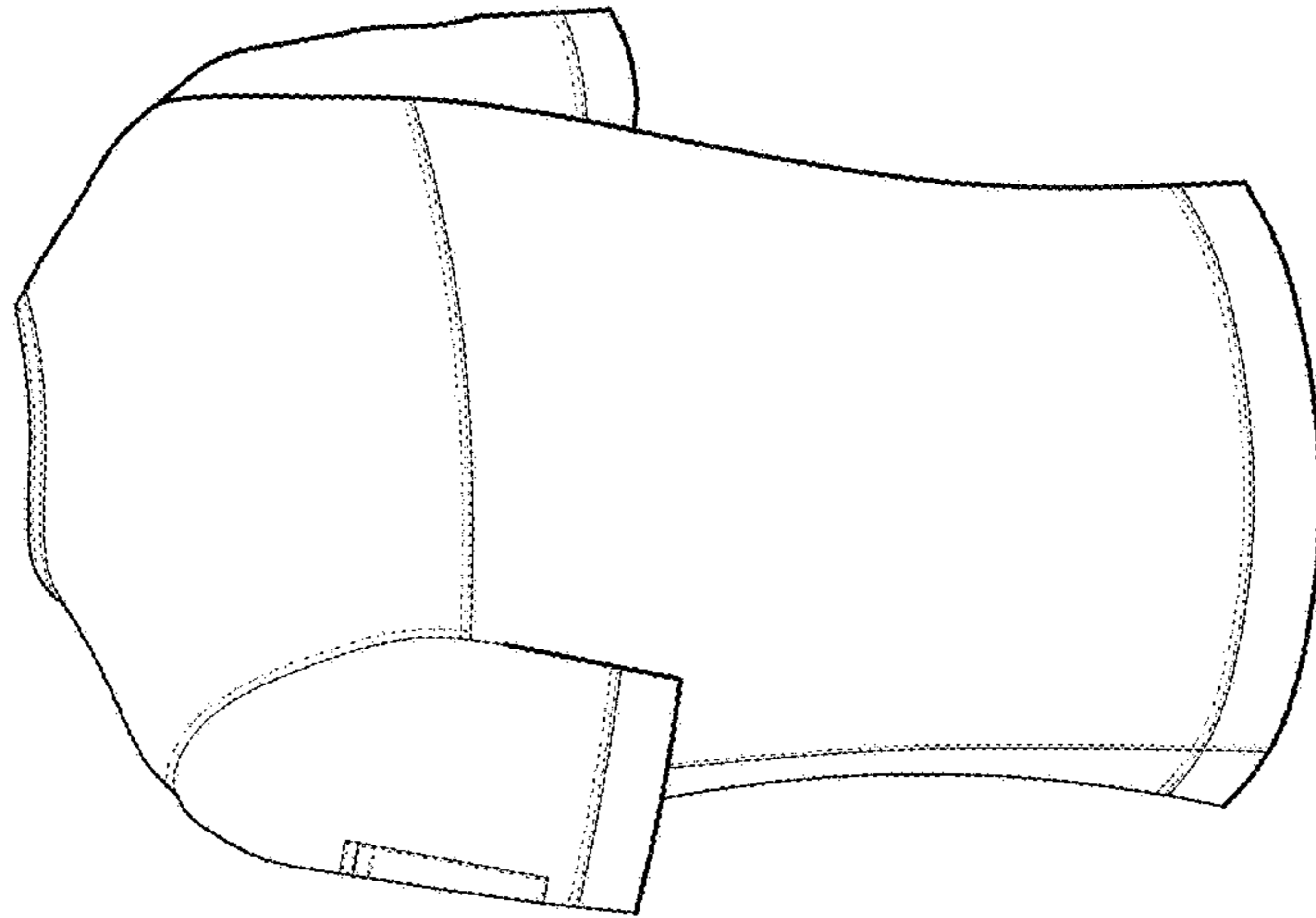


FIG. 39

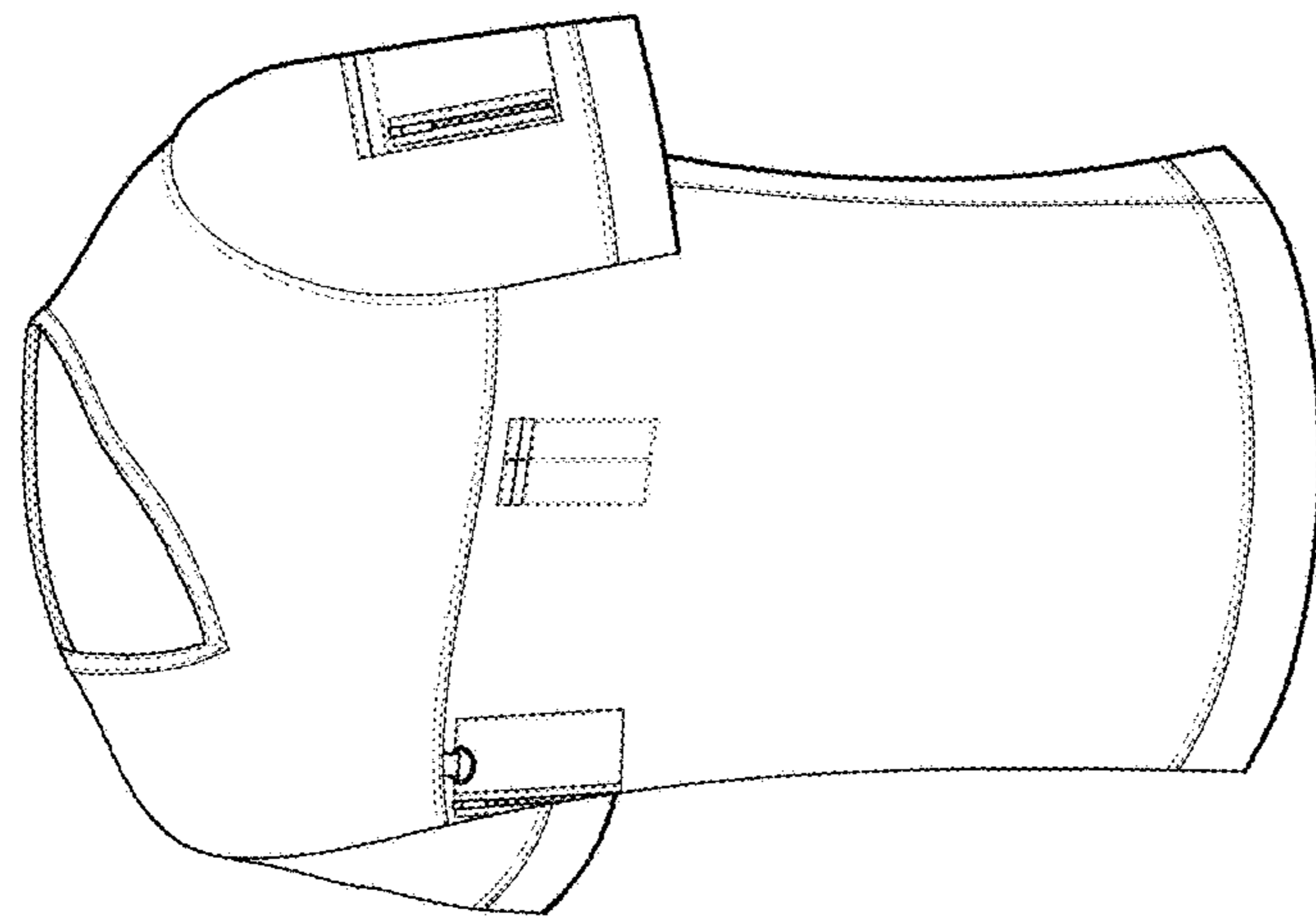


FIG. 40

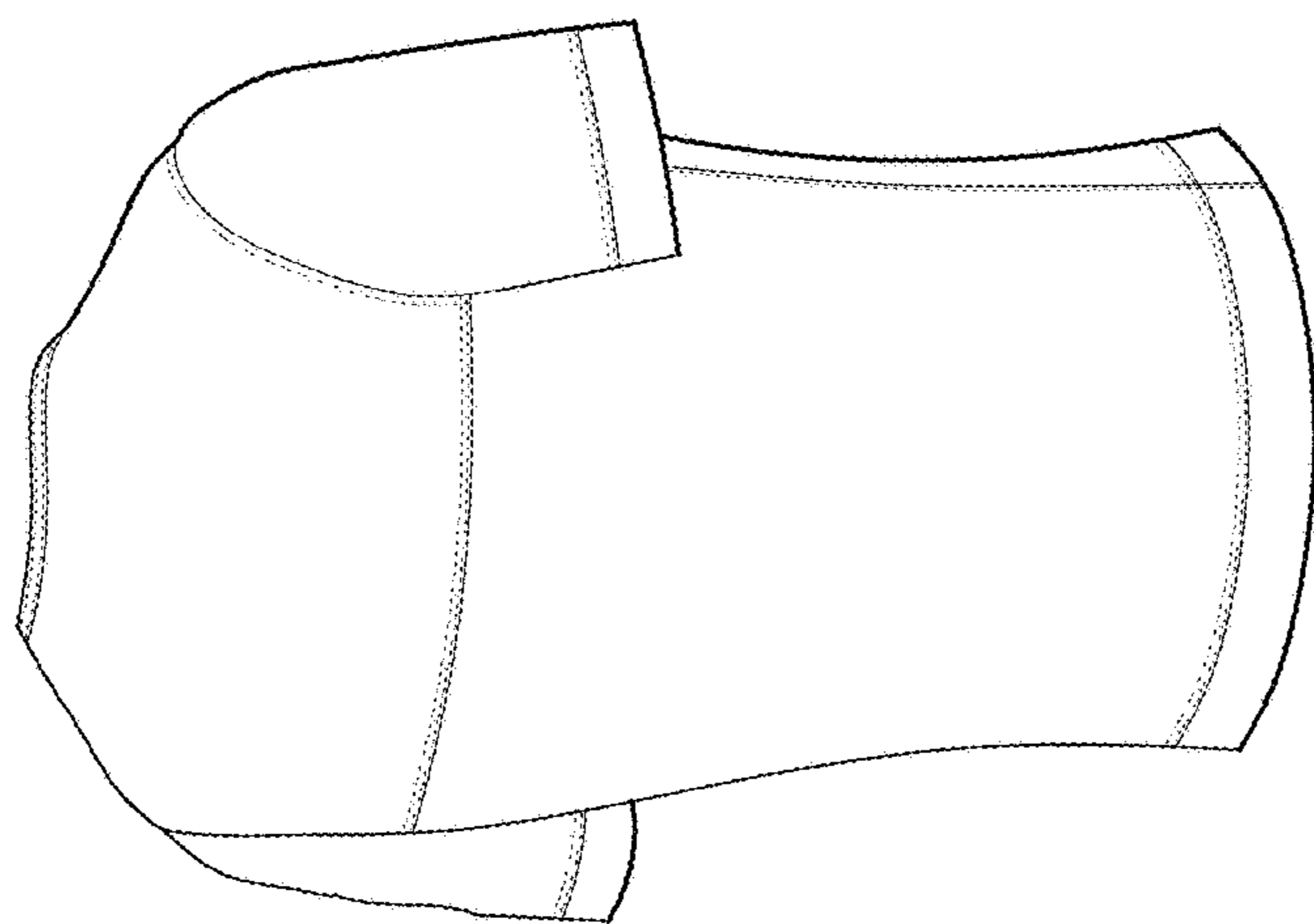


FIG. 42

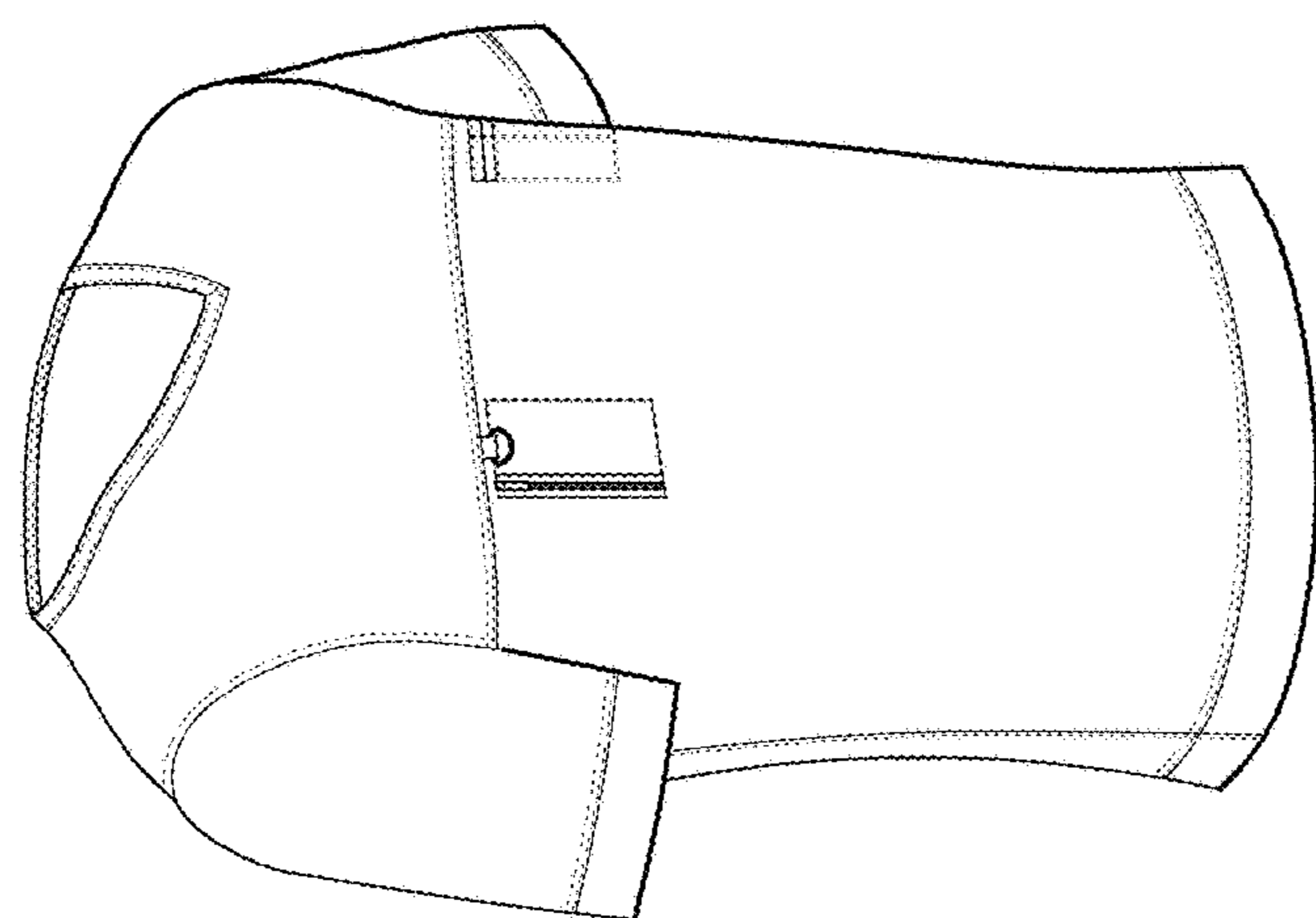


FIG. 41

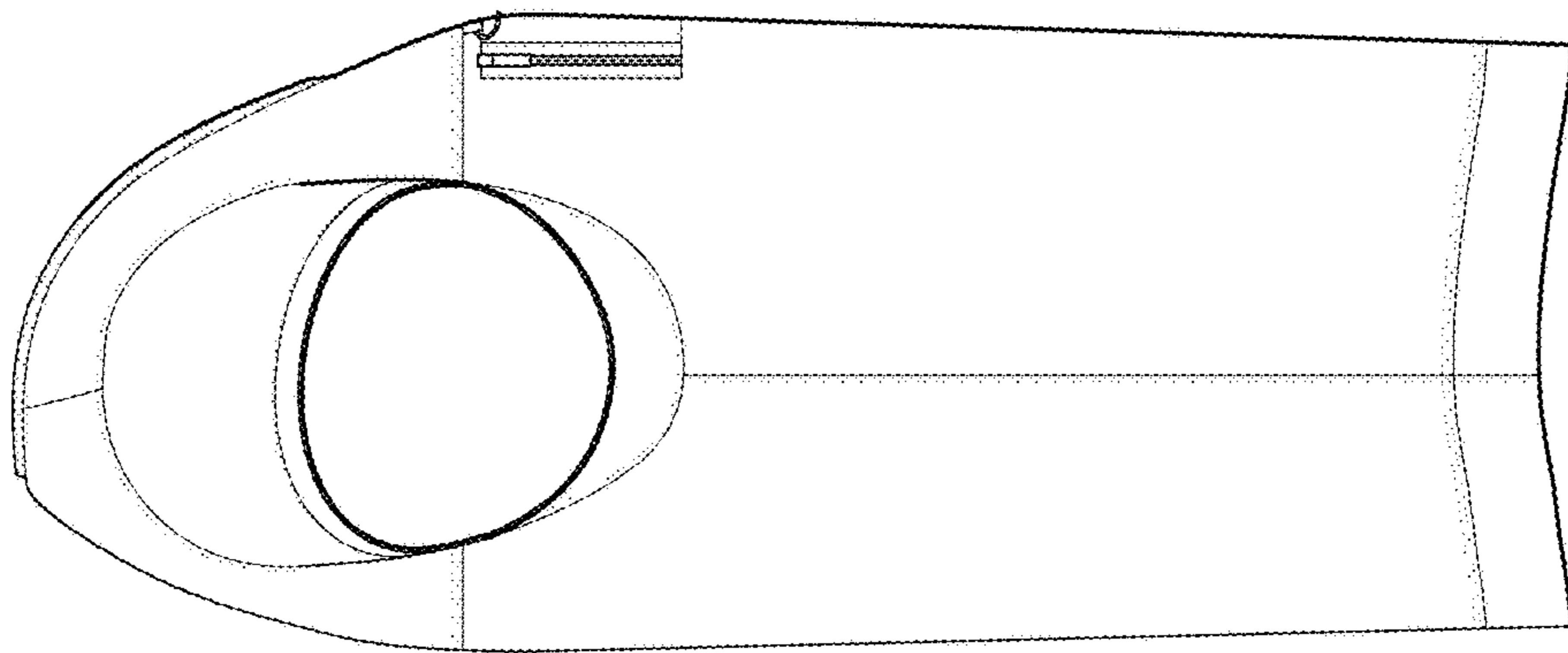


FIG. 43

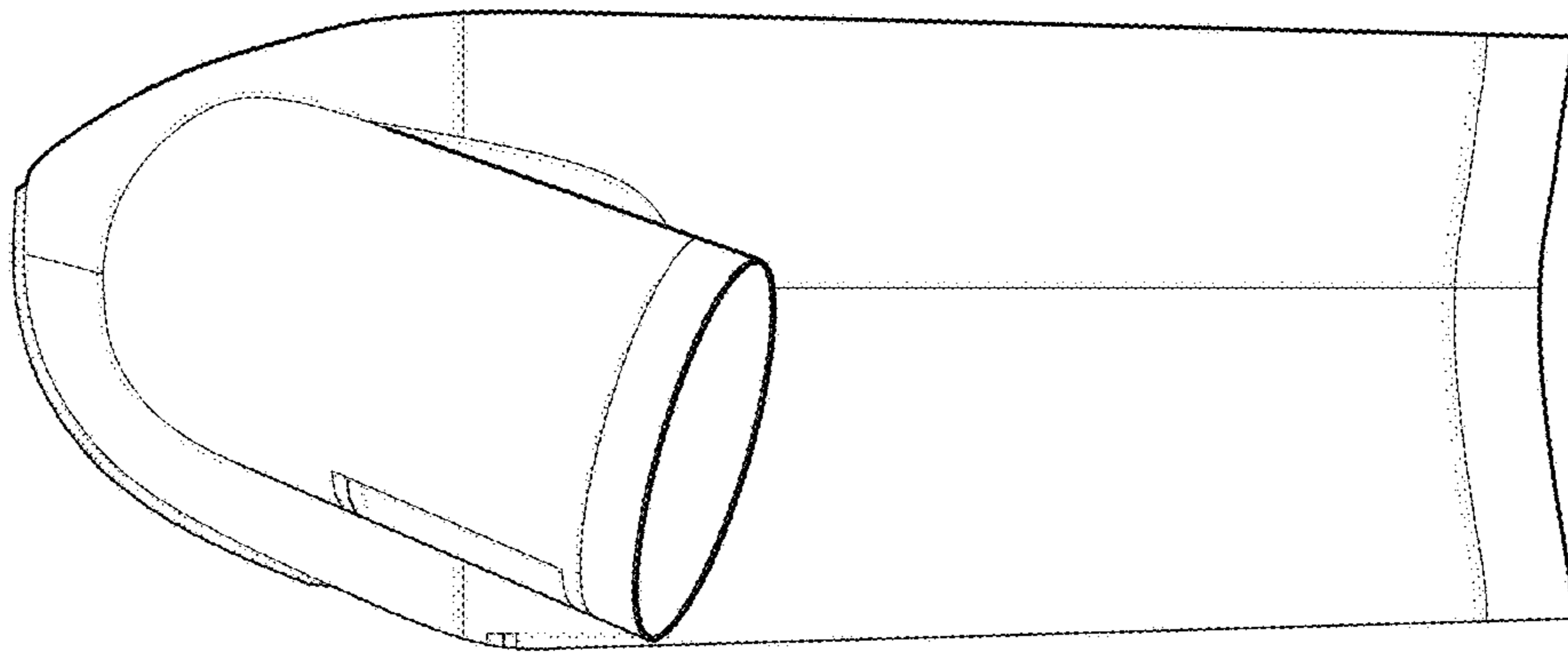


FIG. 44

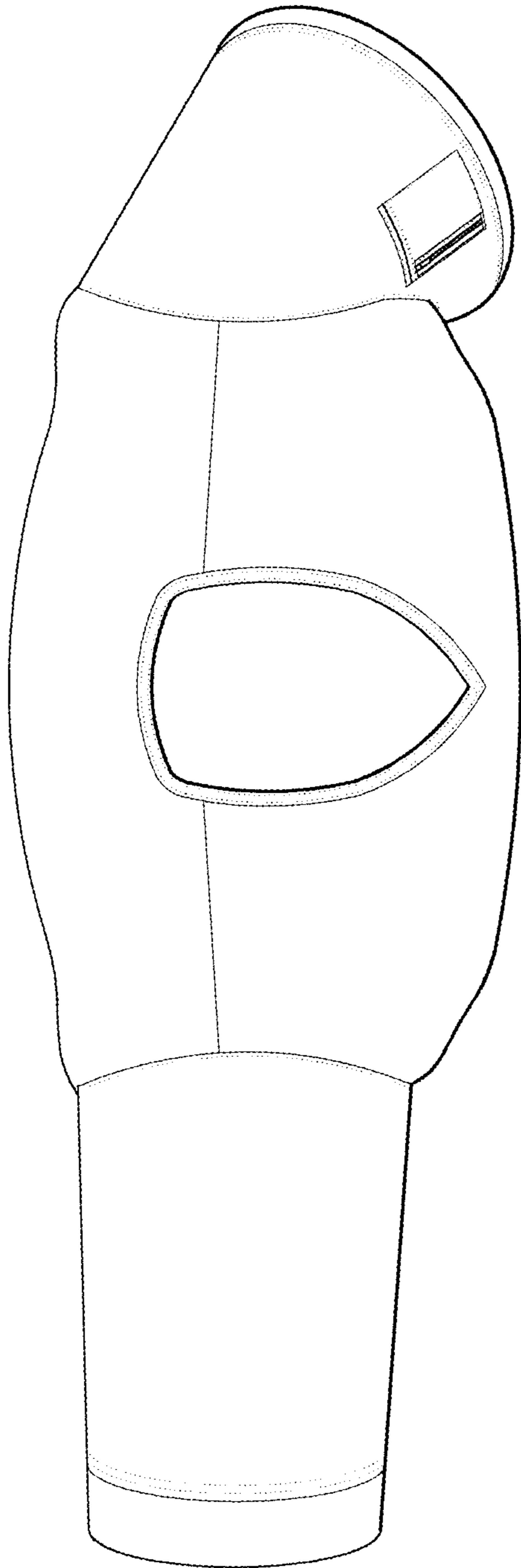


FIG. 45

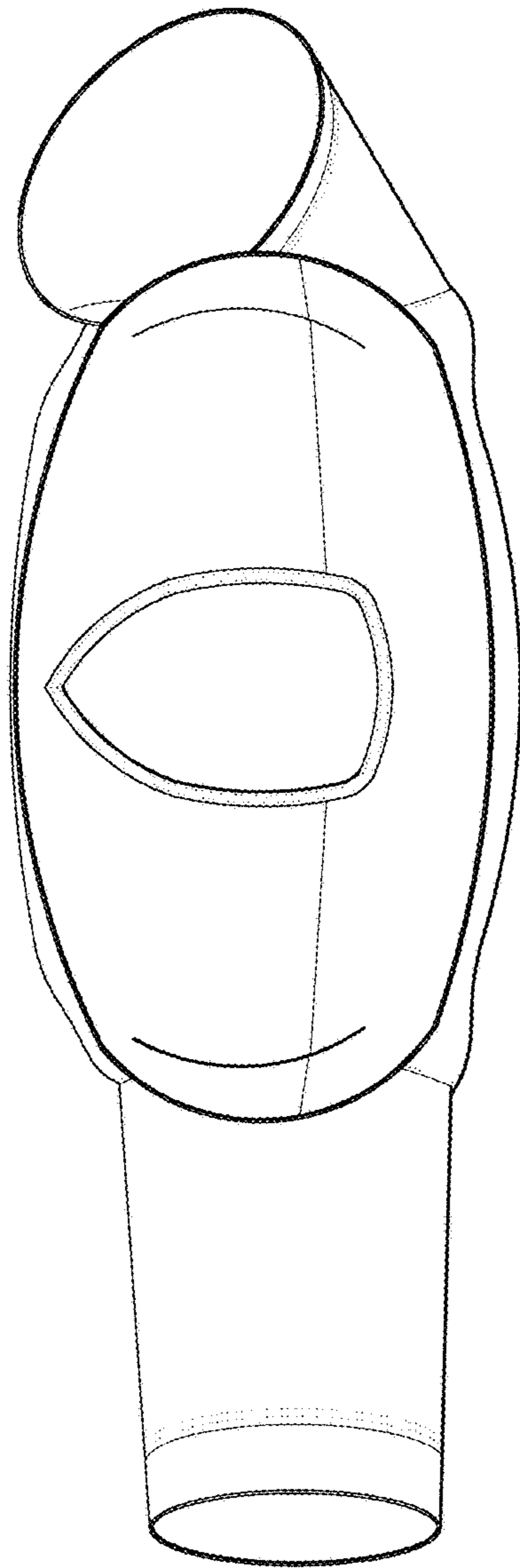


FIG. 46

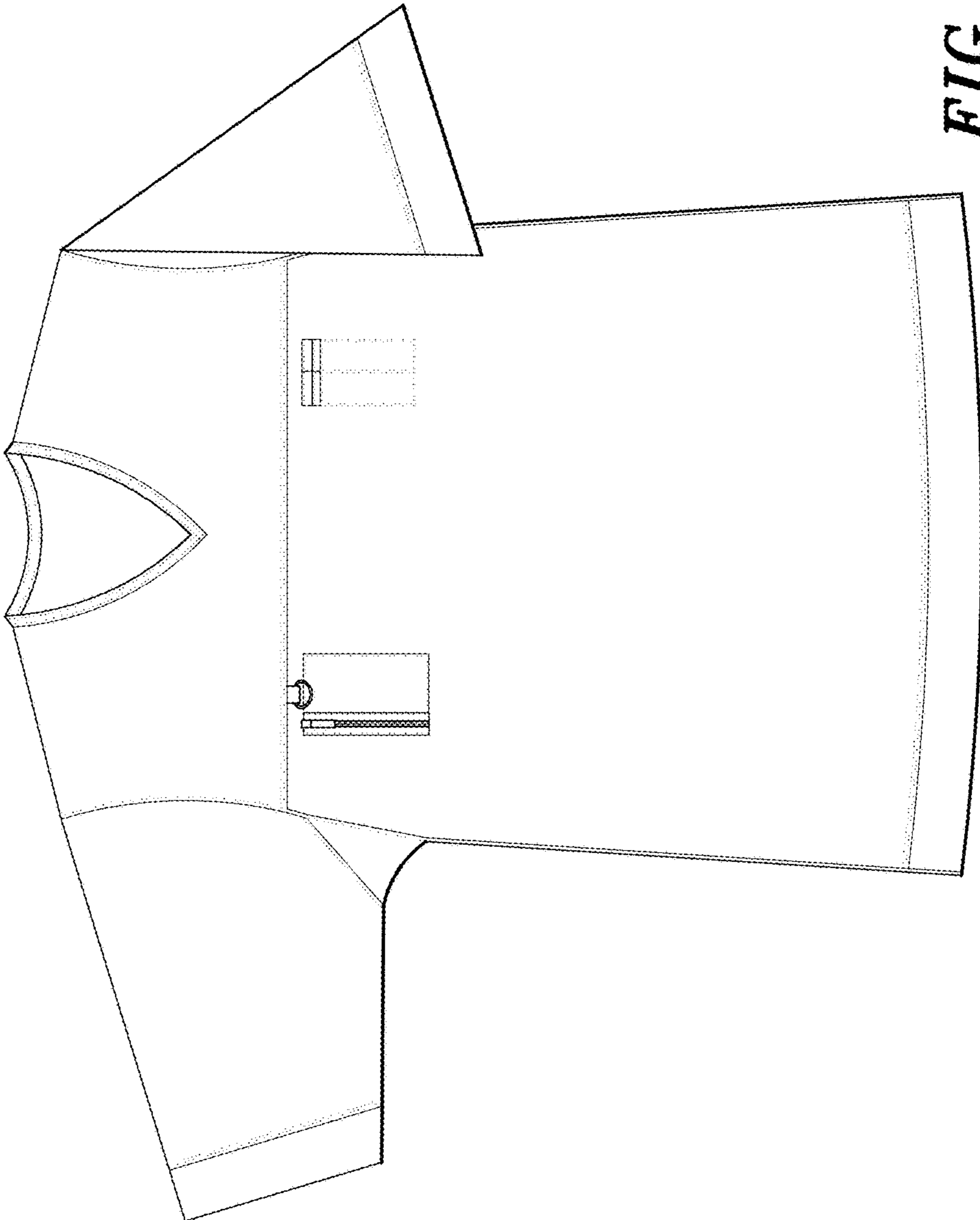


FIG. 47

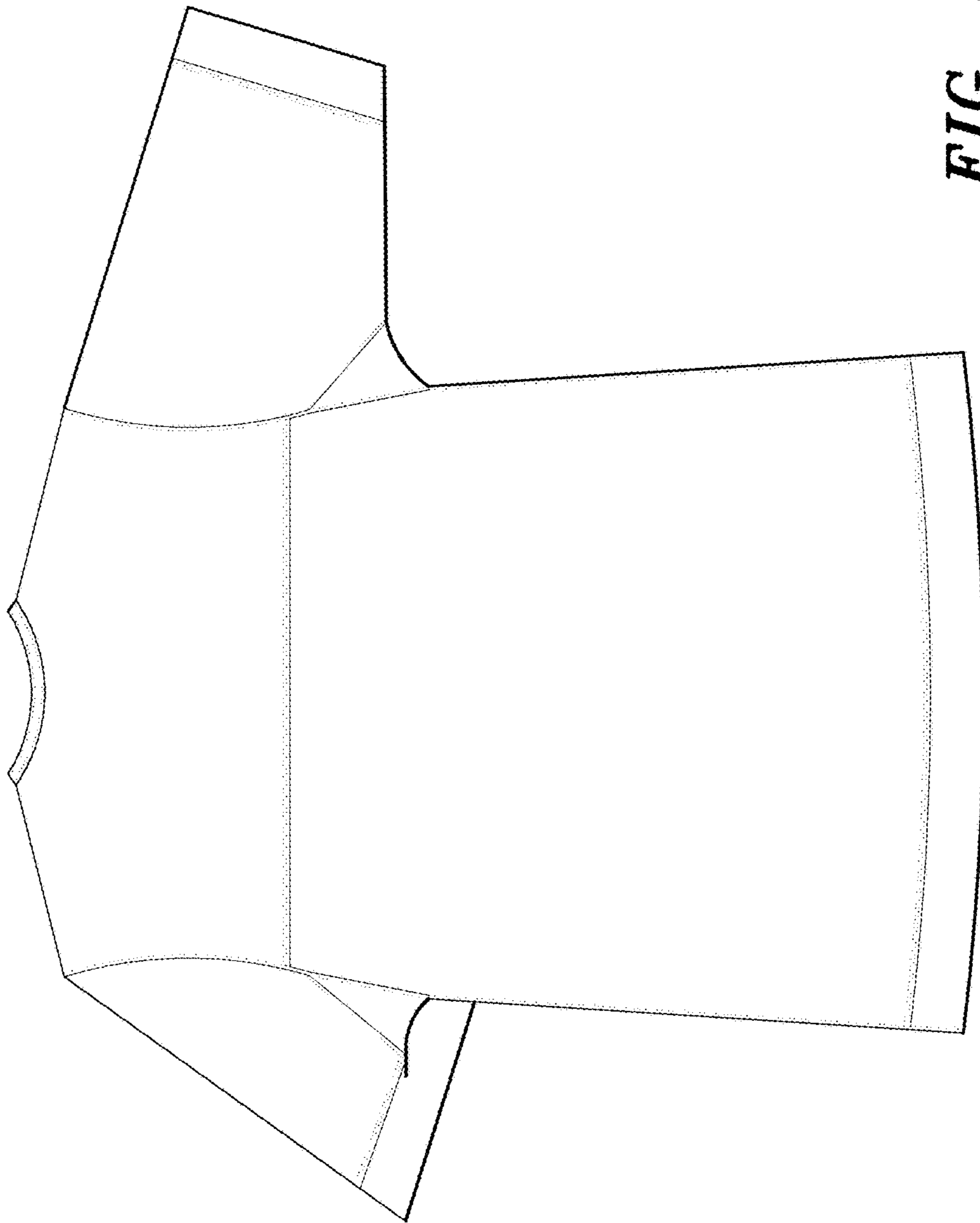


FIG. 48

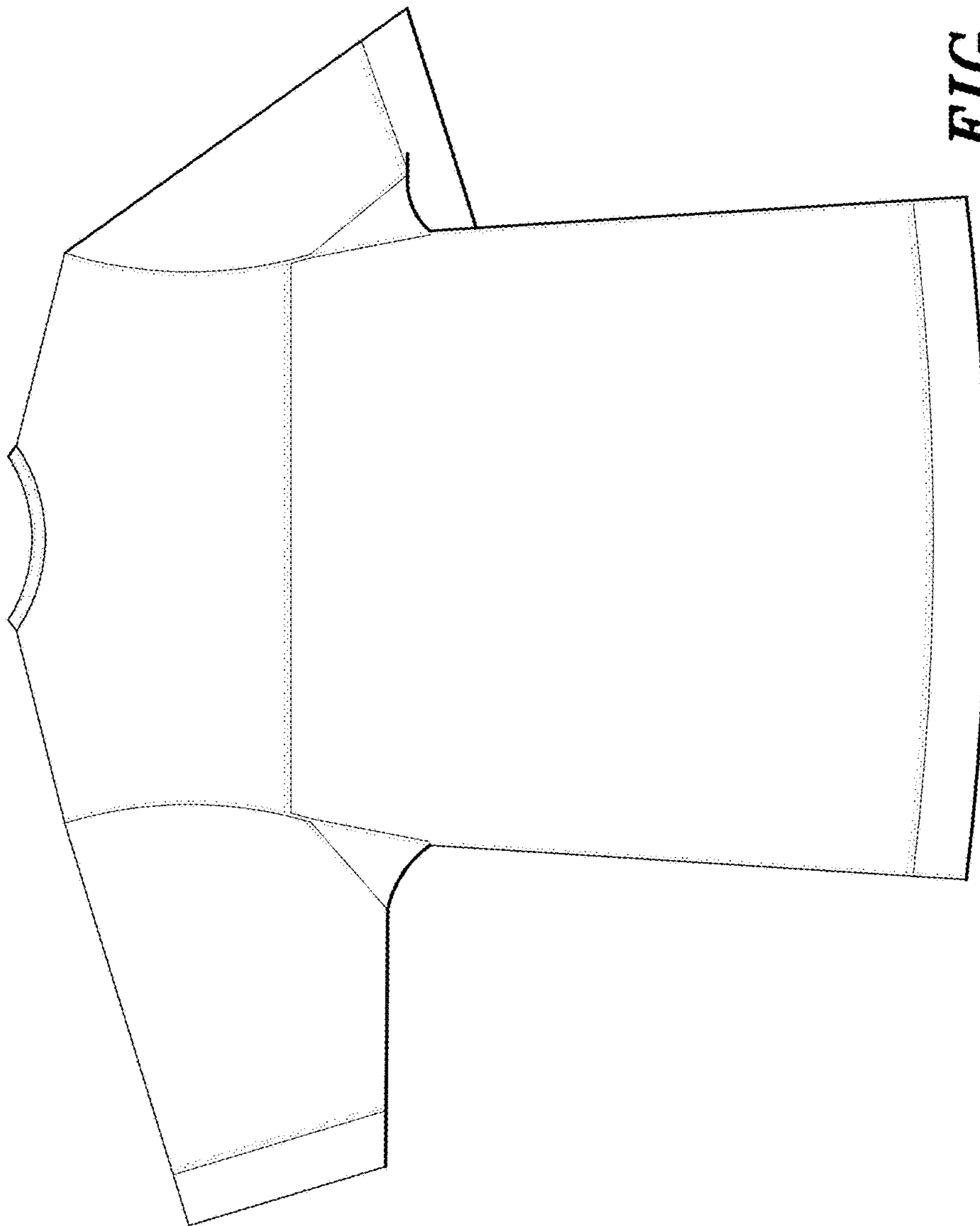


FIG. 49

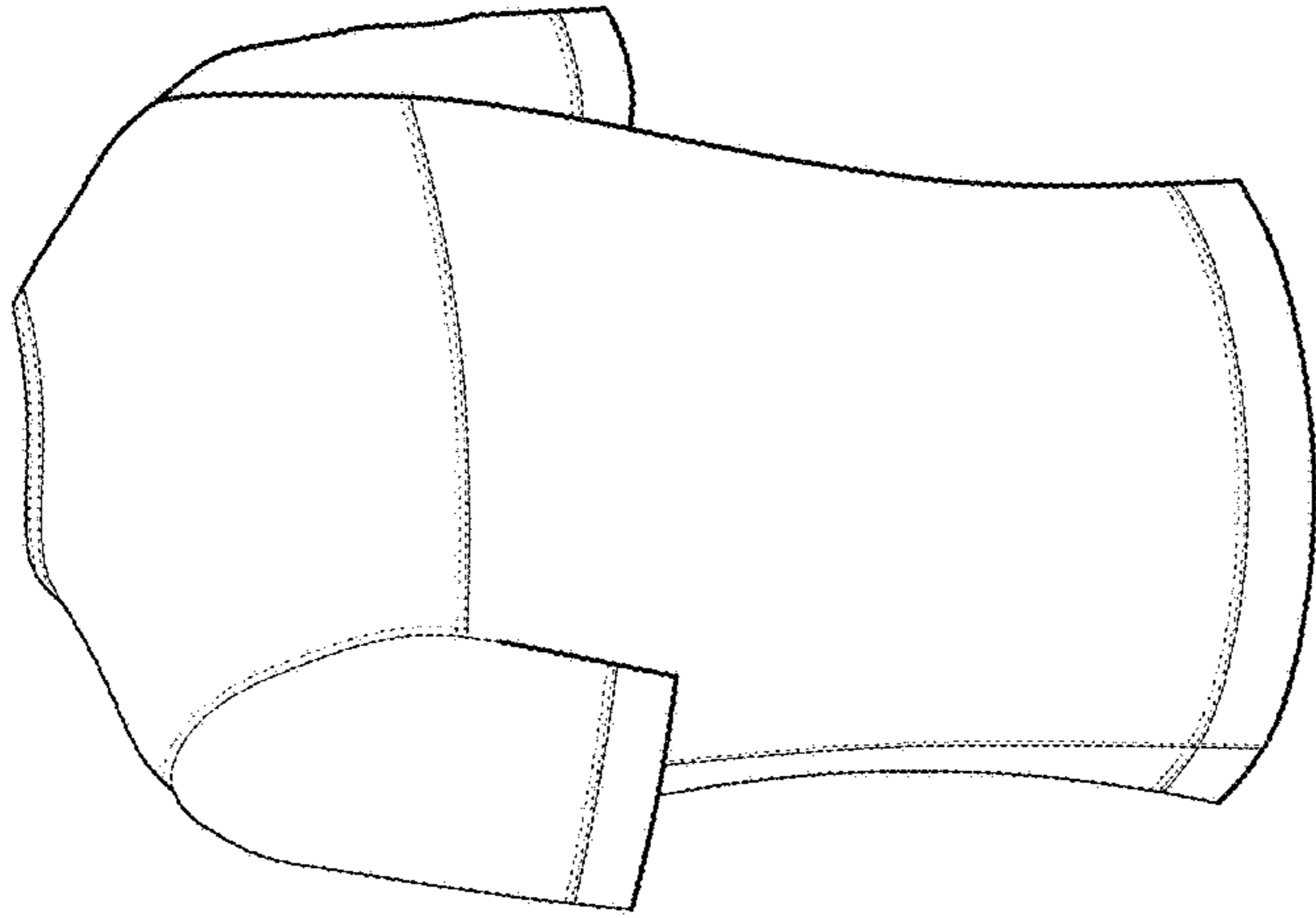


FIG. 51

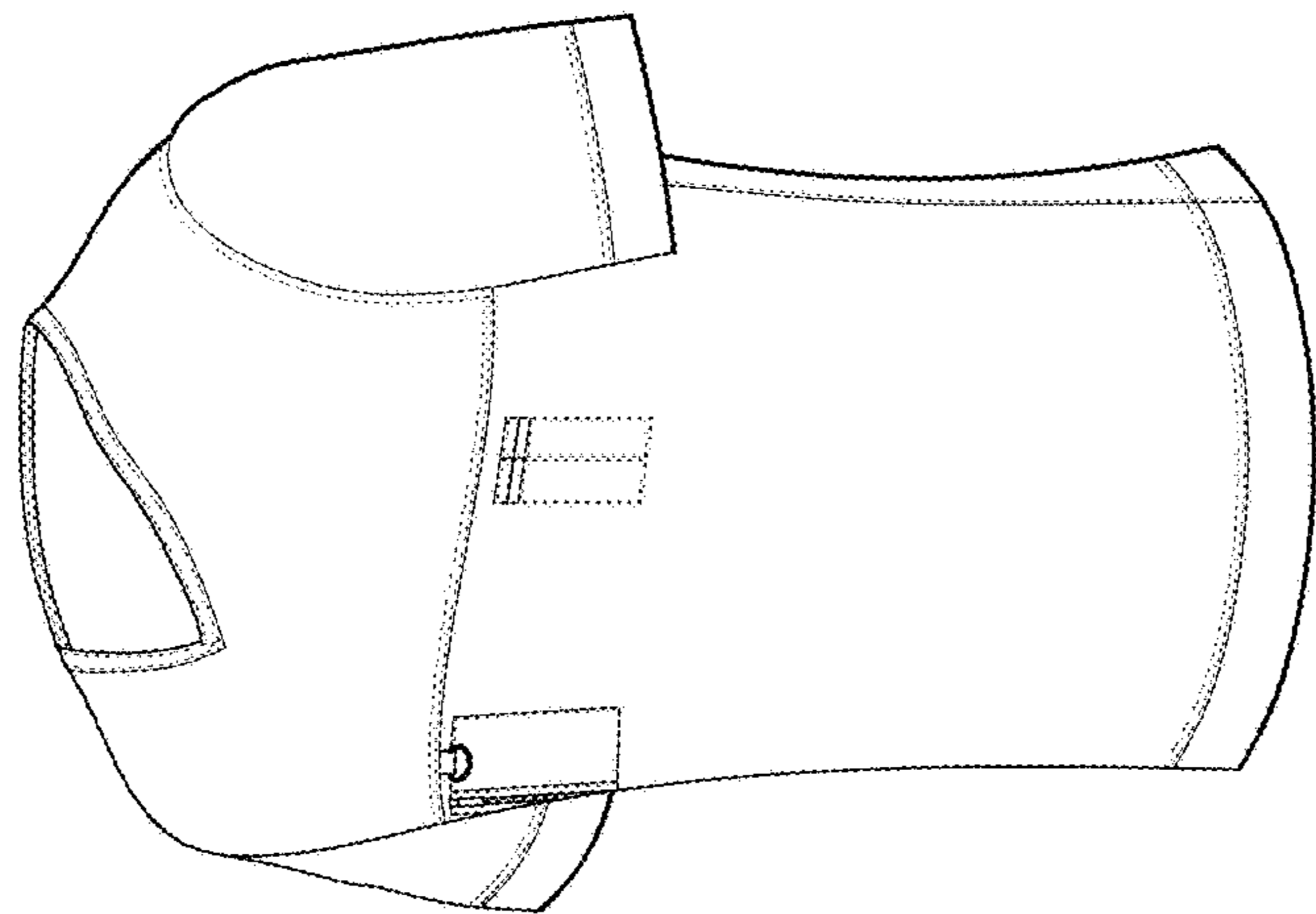


FIG. 50

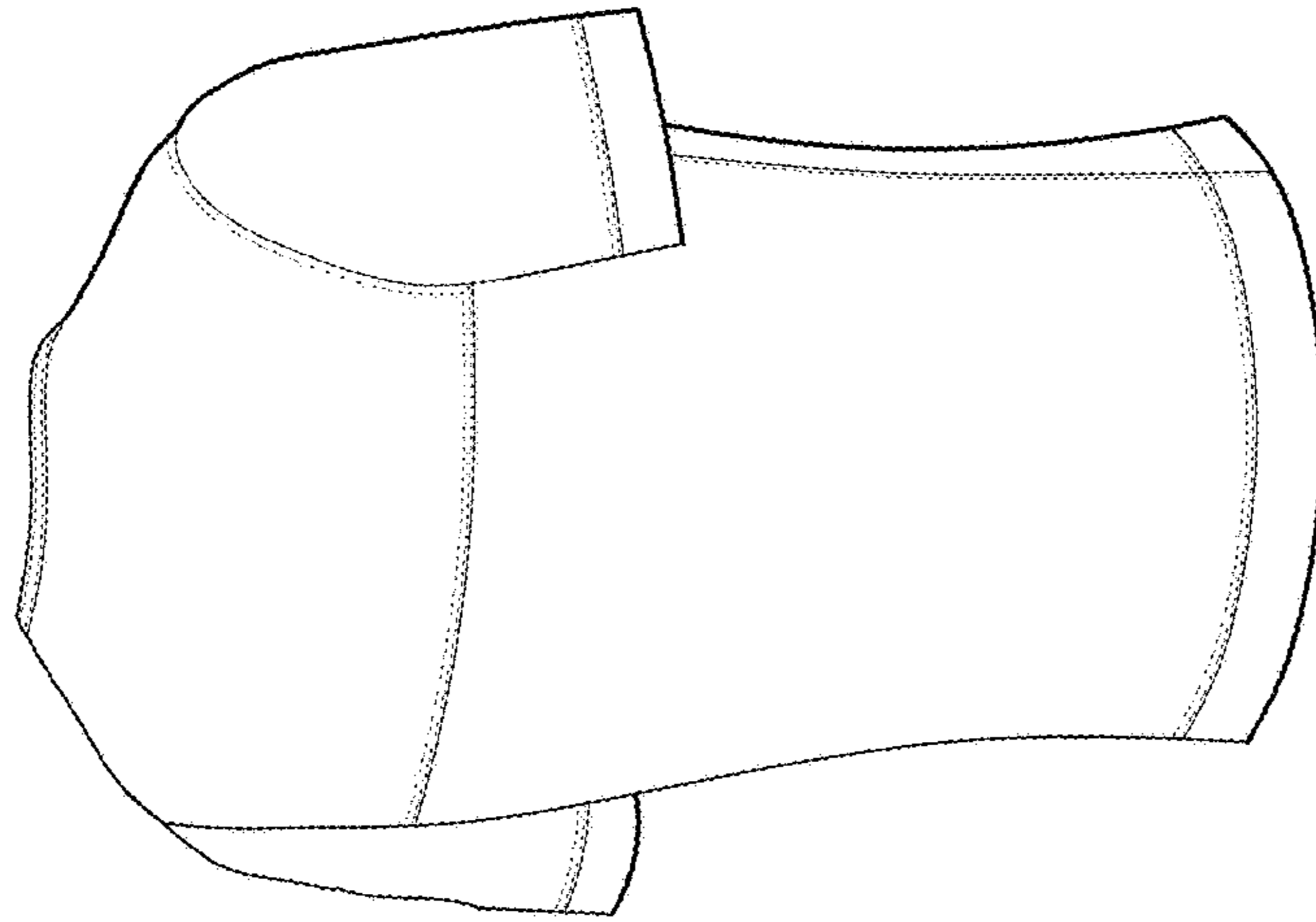


FIG. 53

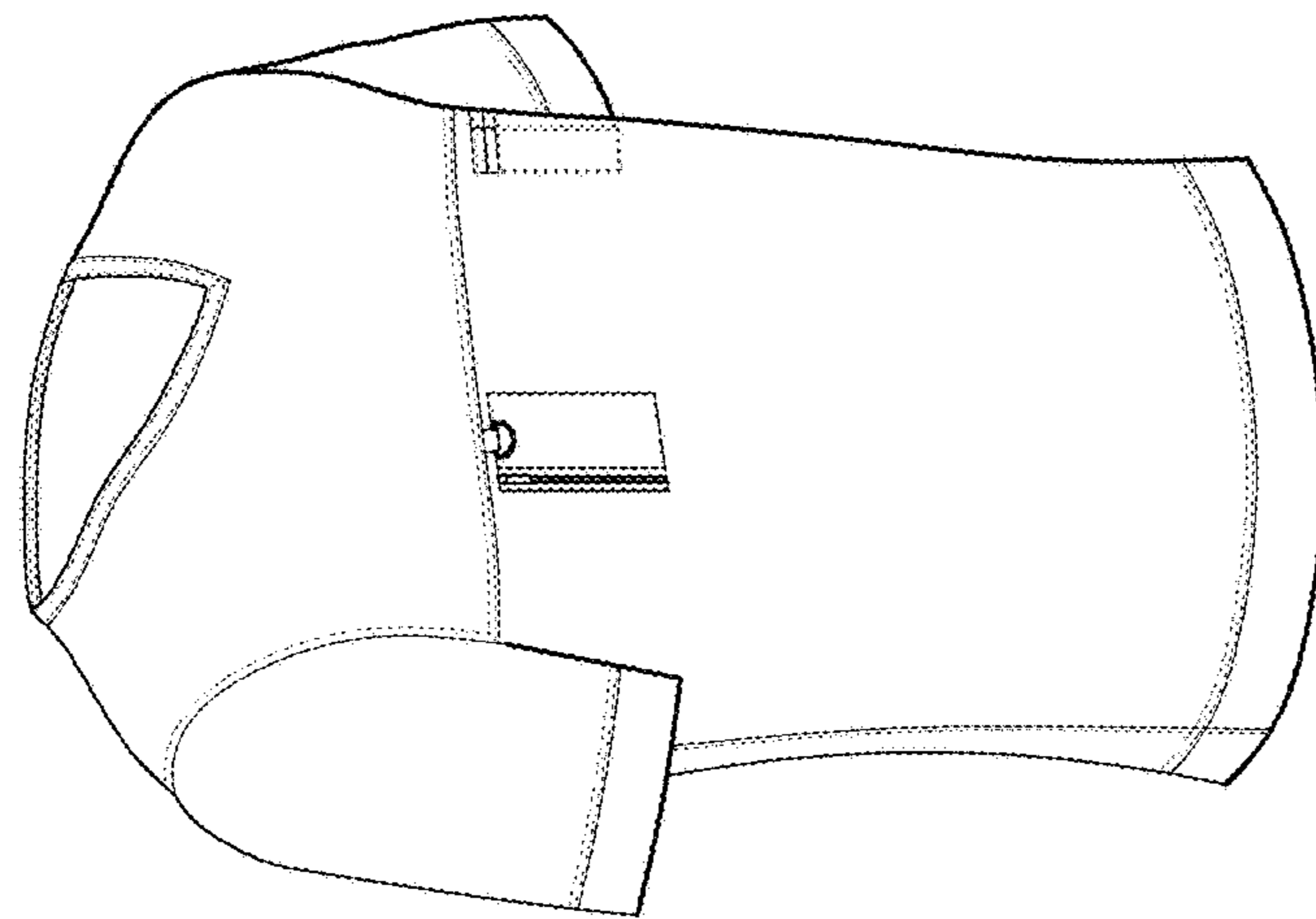


FIG. 52

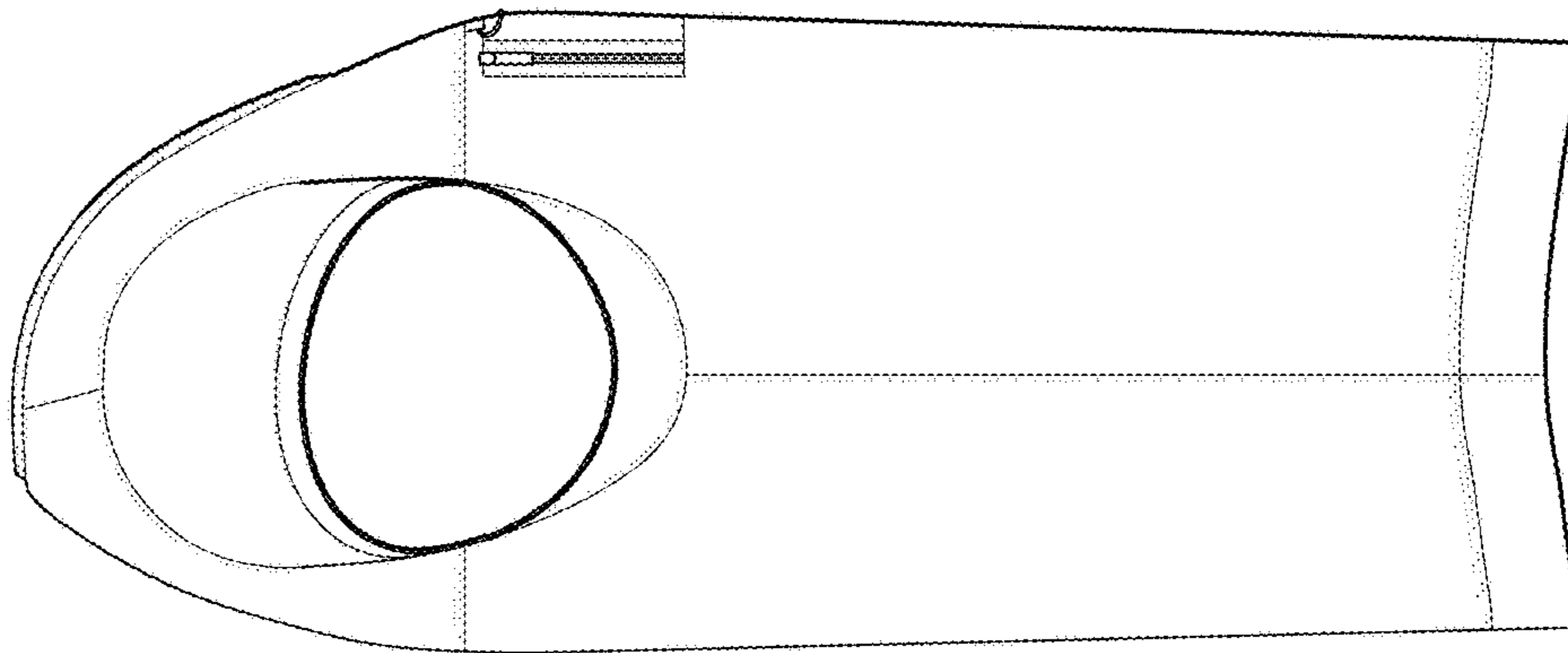


FIG. 54

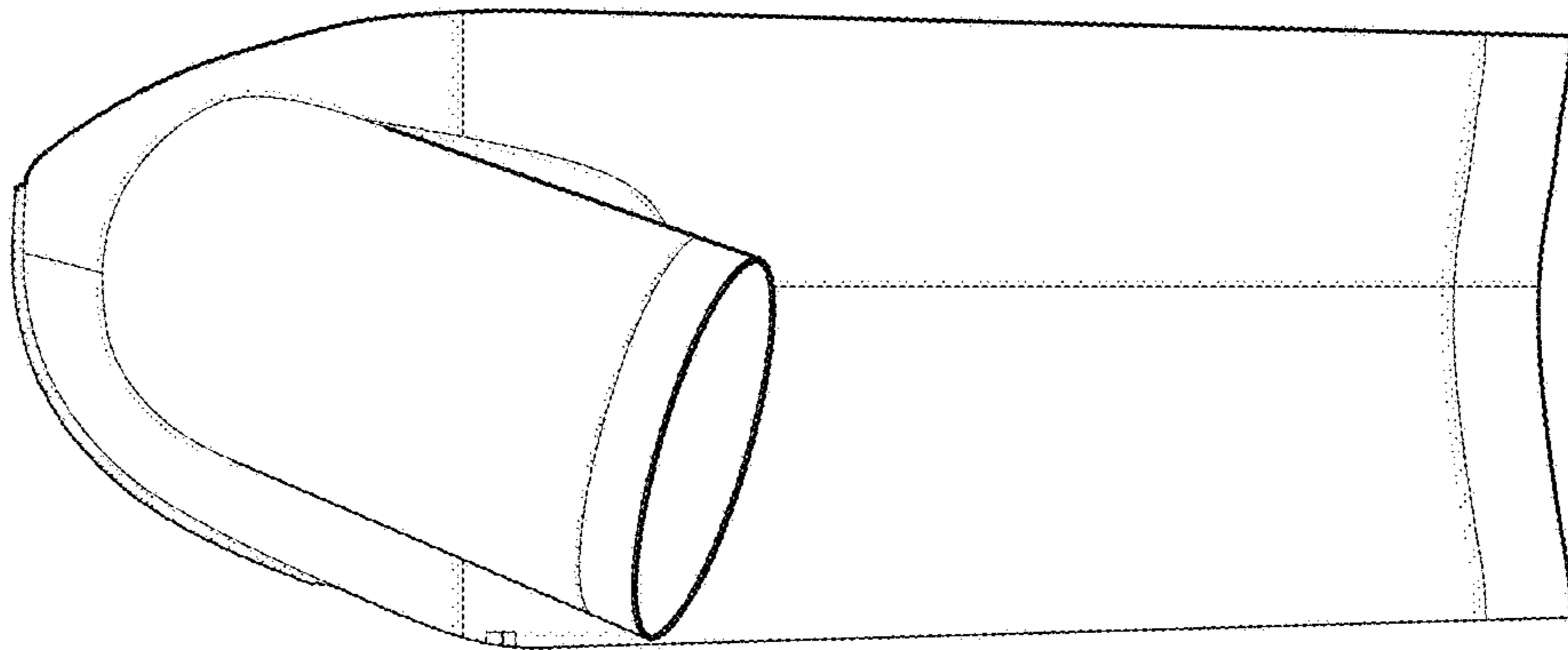


FIG. 55

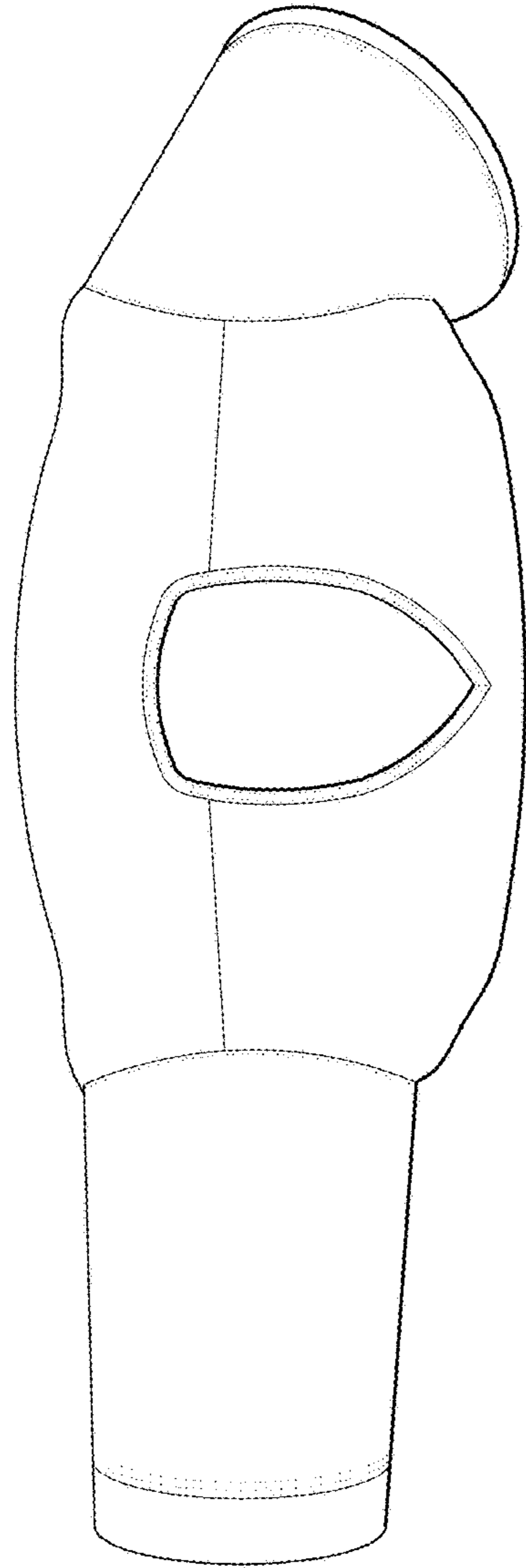


FIG. 56

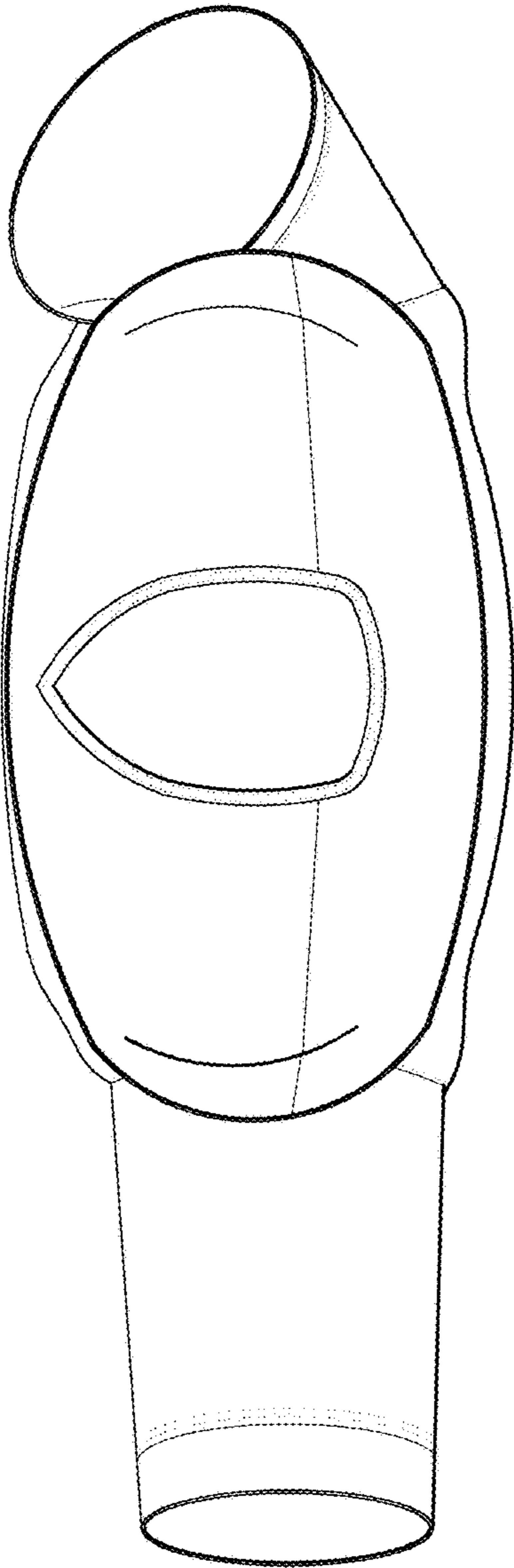


FIG. 57

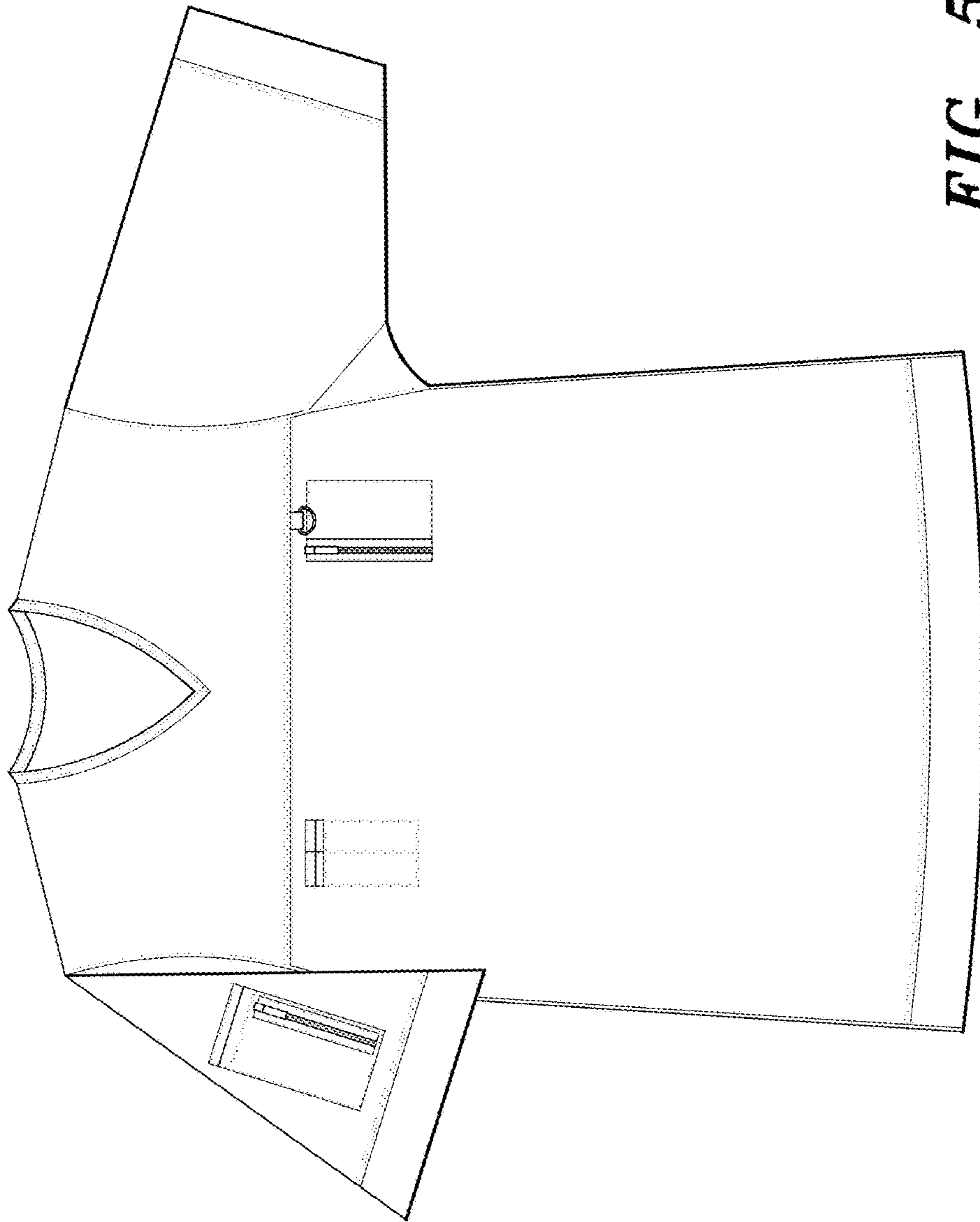


FIG. 58

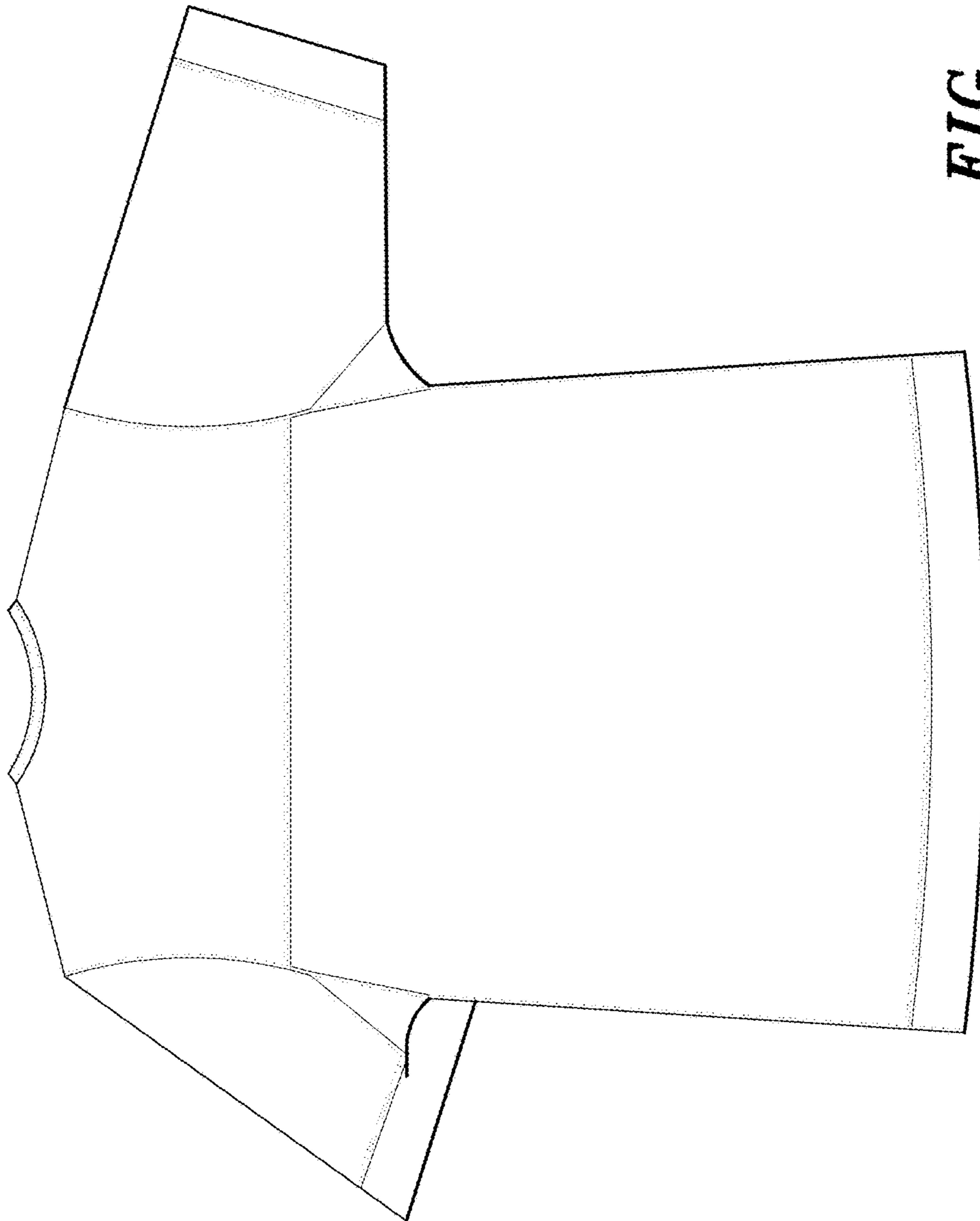


FIG. 59

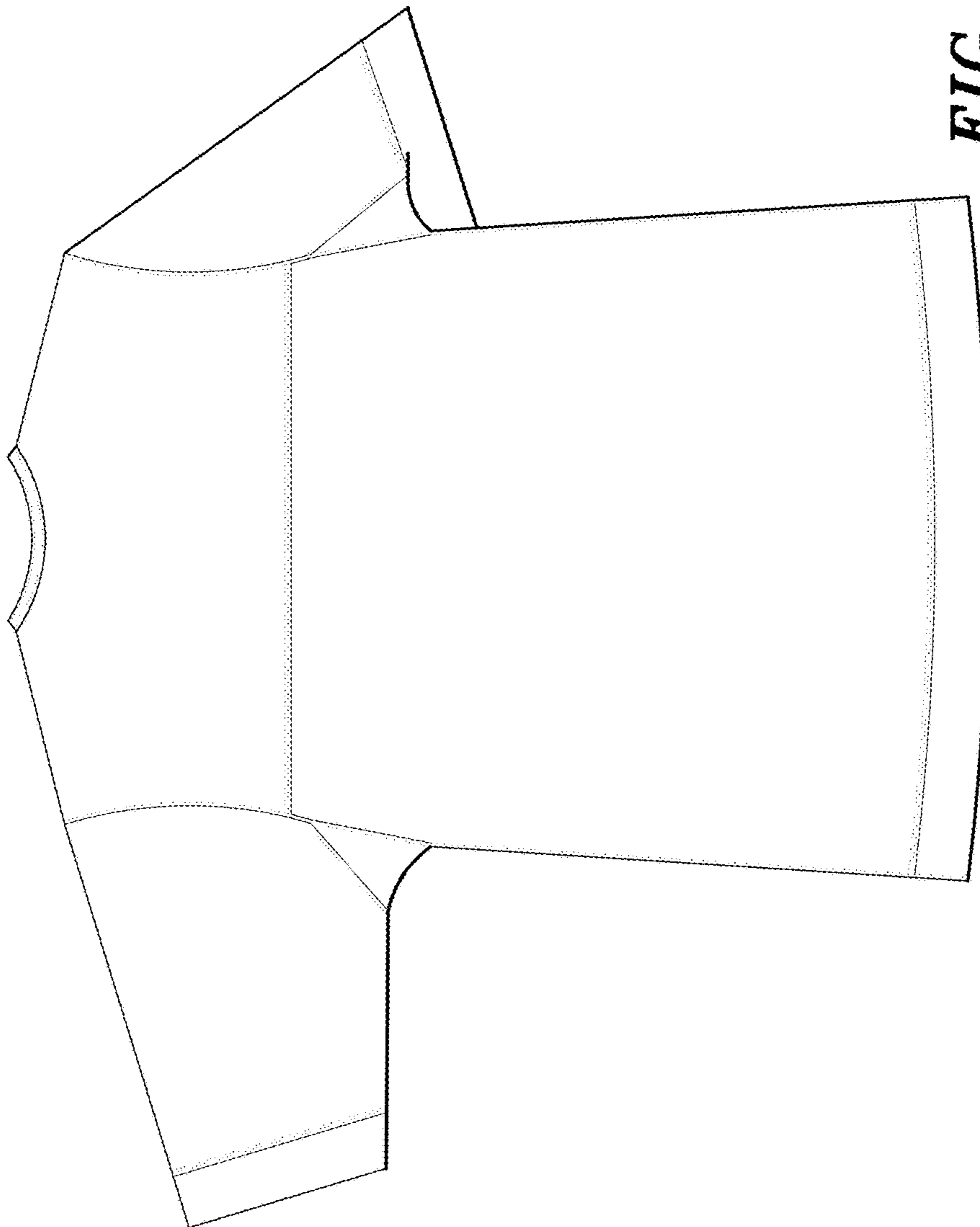


FIG. 60

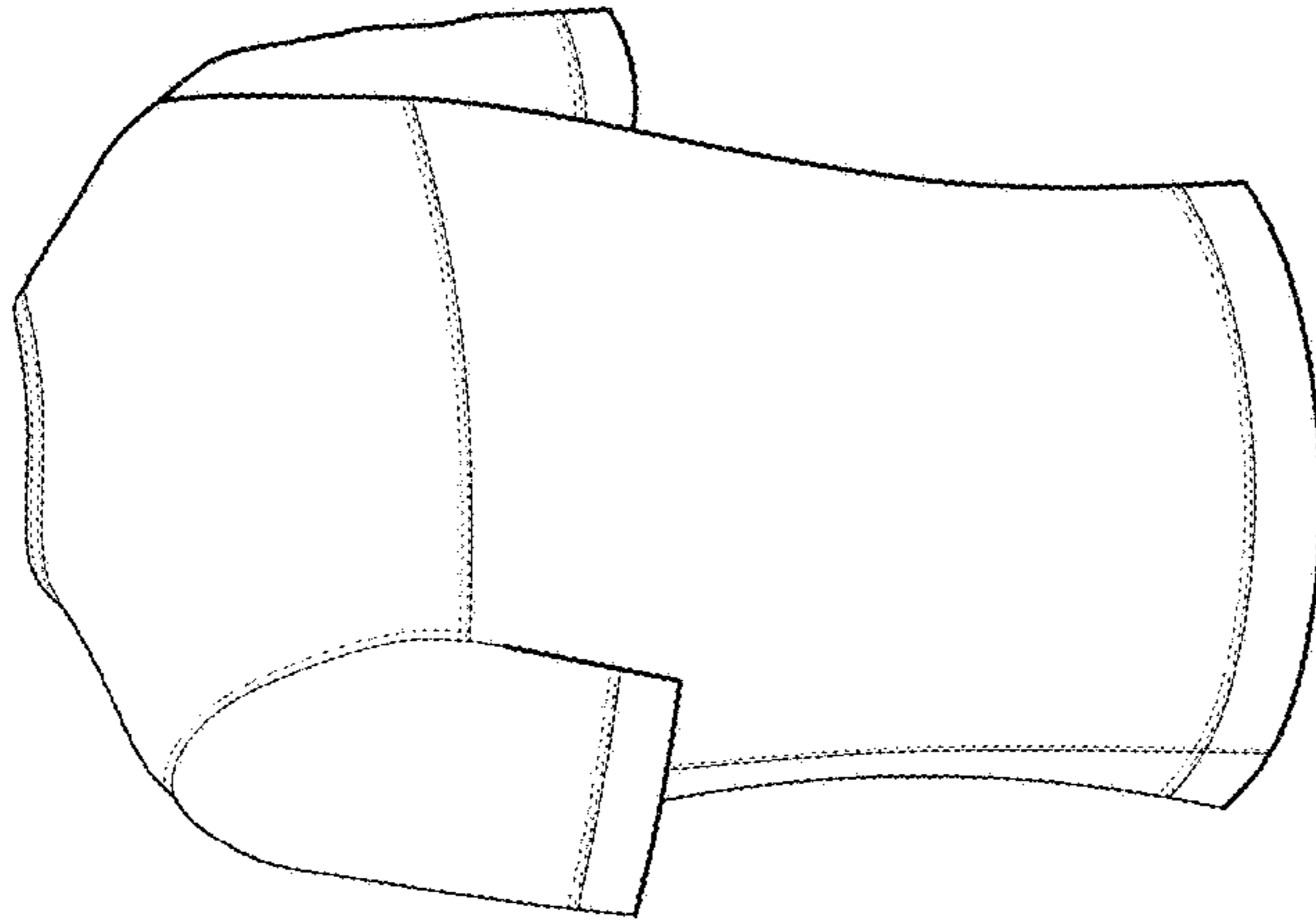


FIG. 62

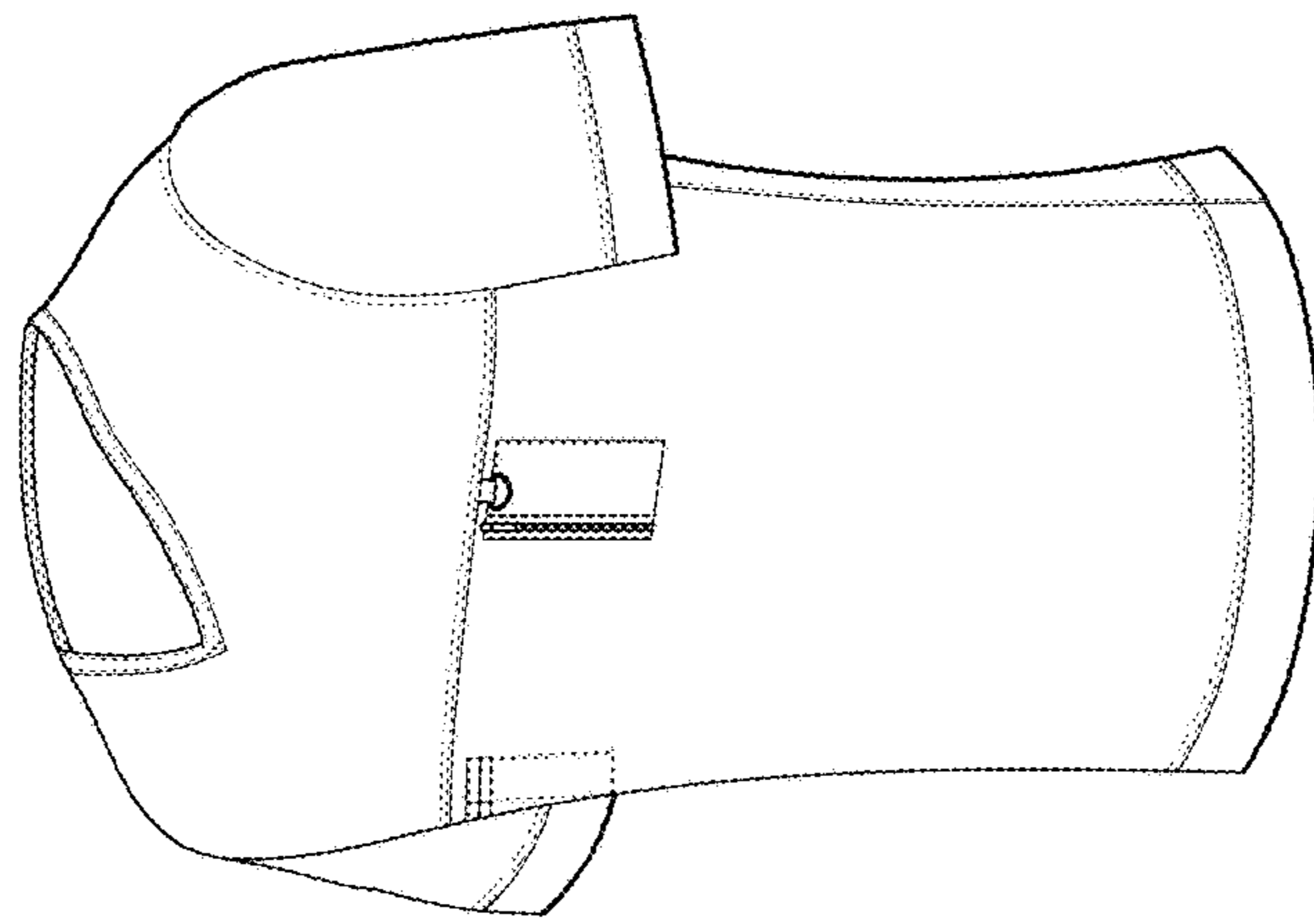


FIG. 61

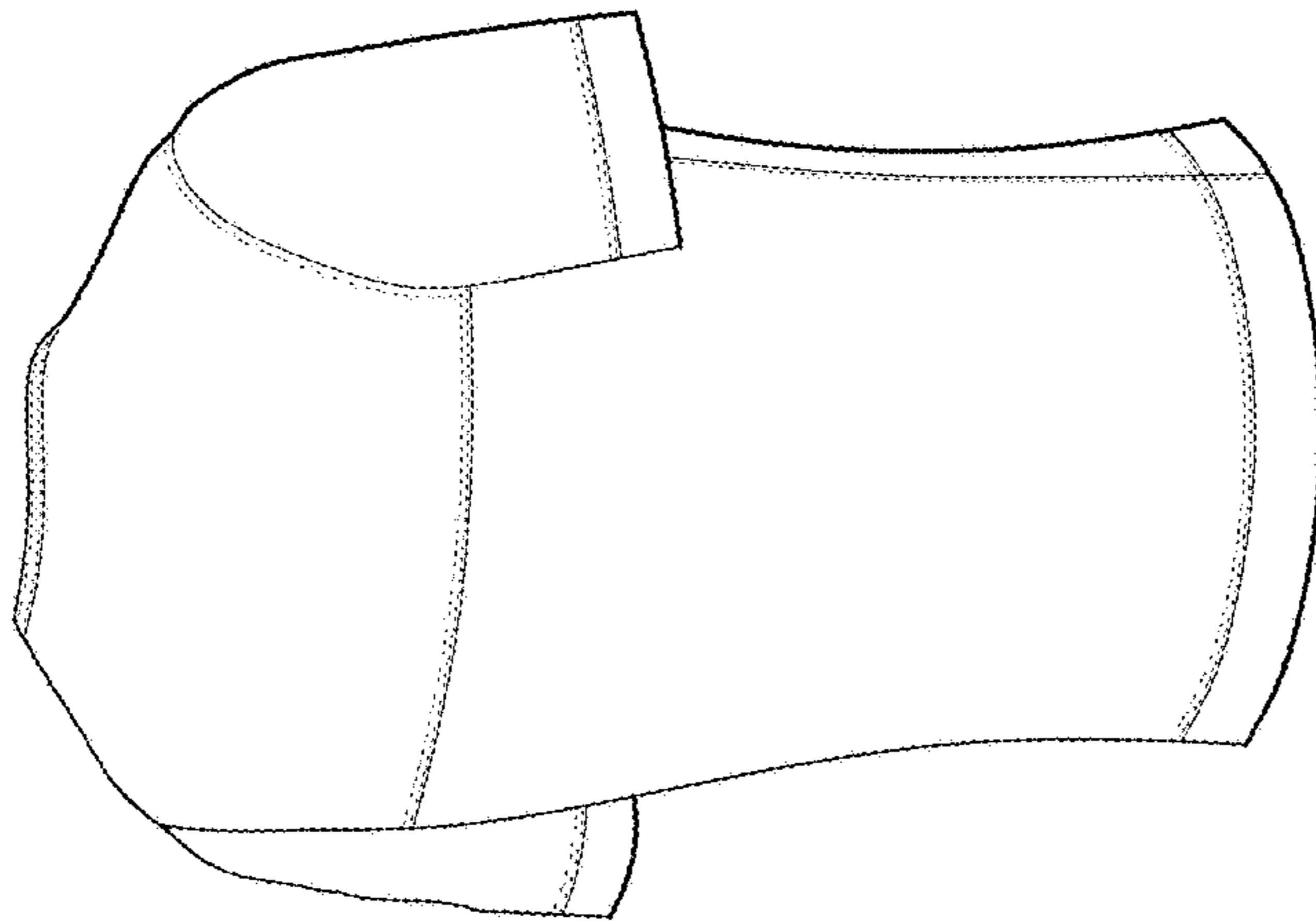


FIG. 64

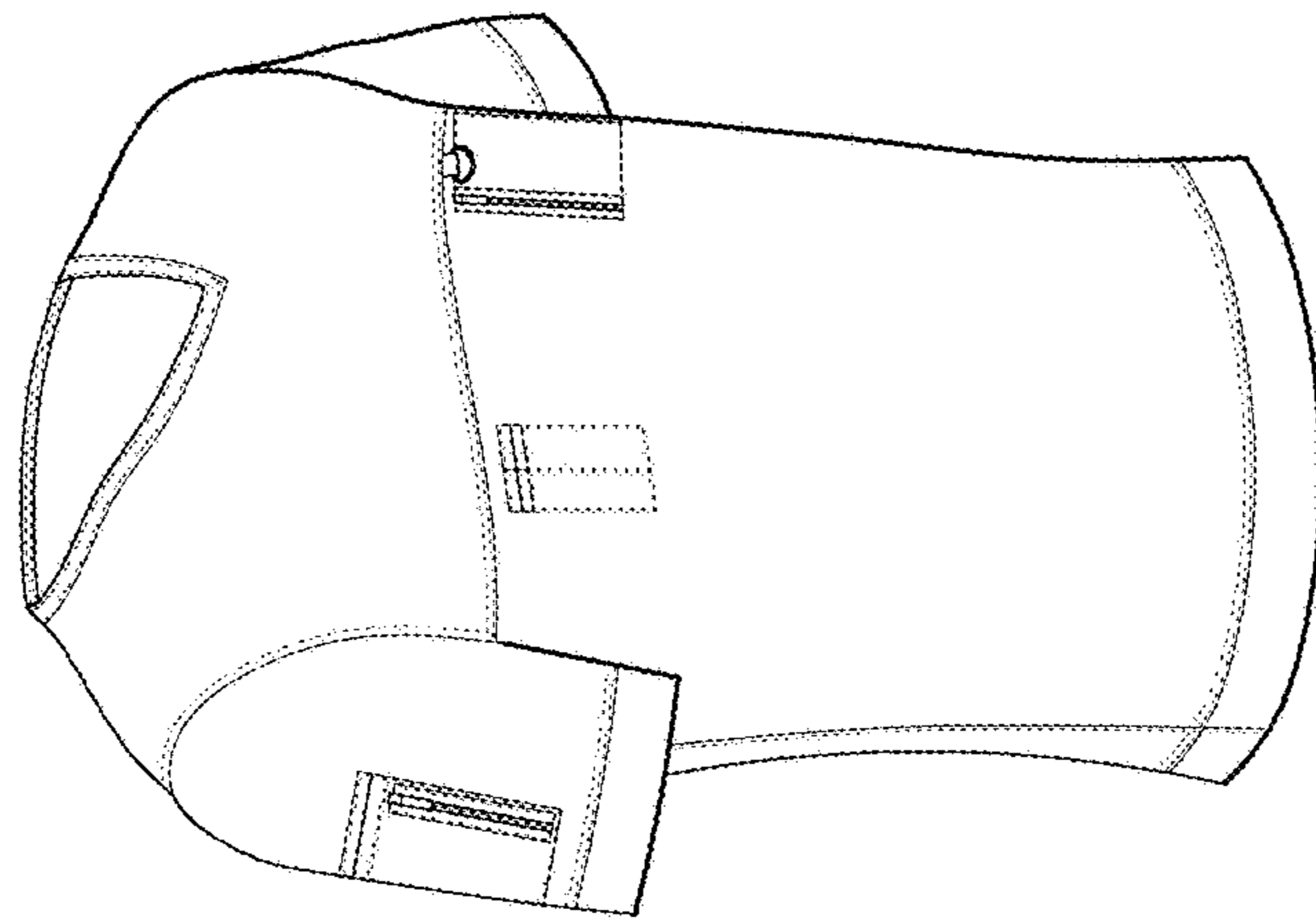


FIG. 63

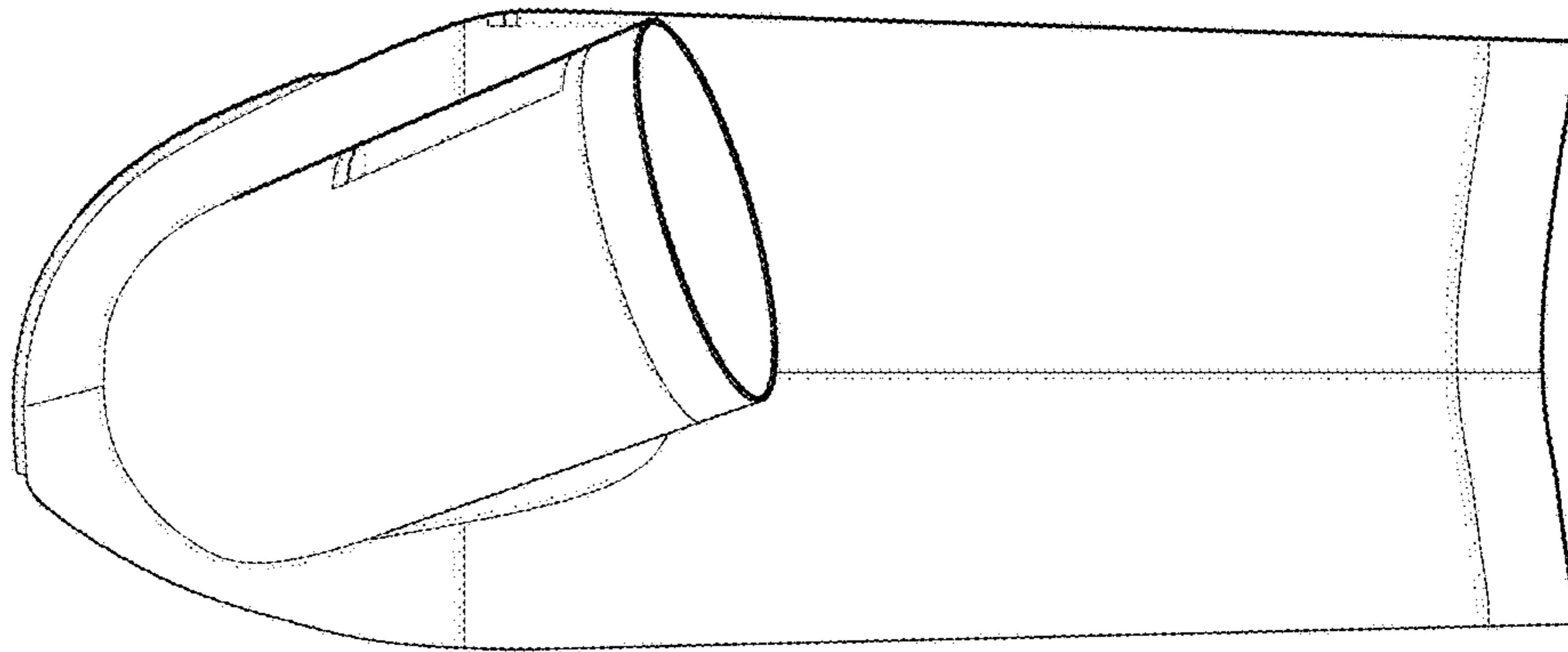


FIG. 65

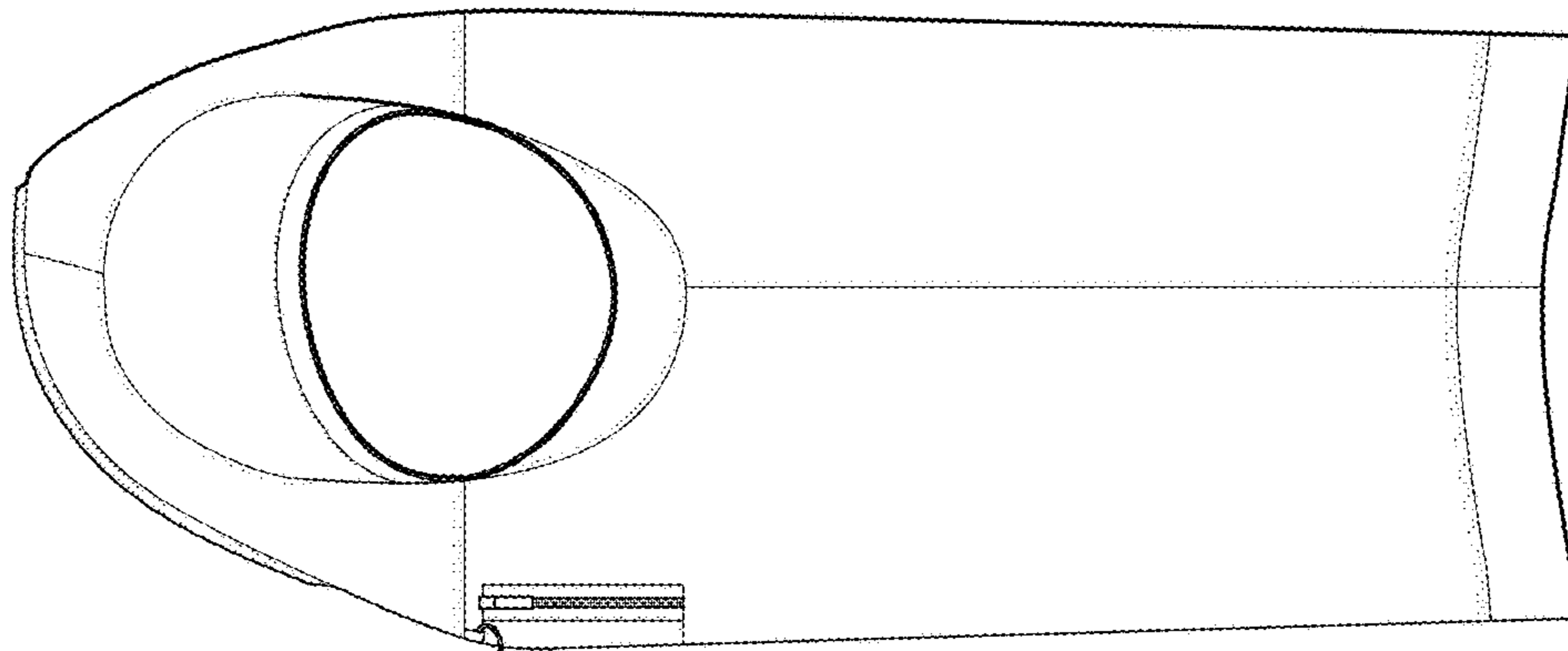


FIG. 66

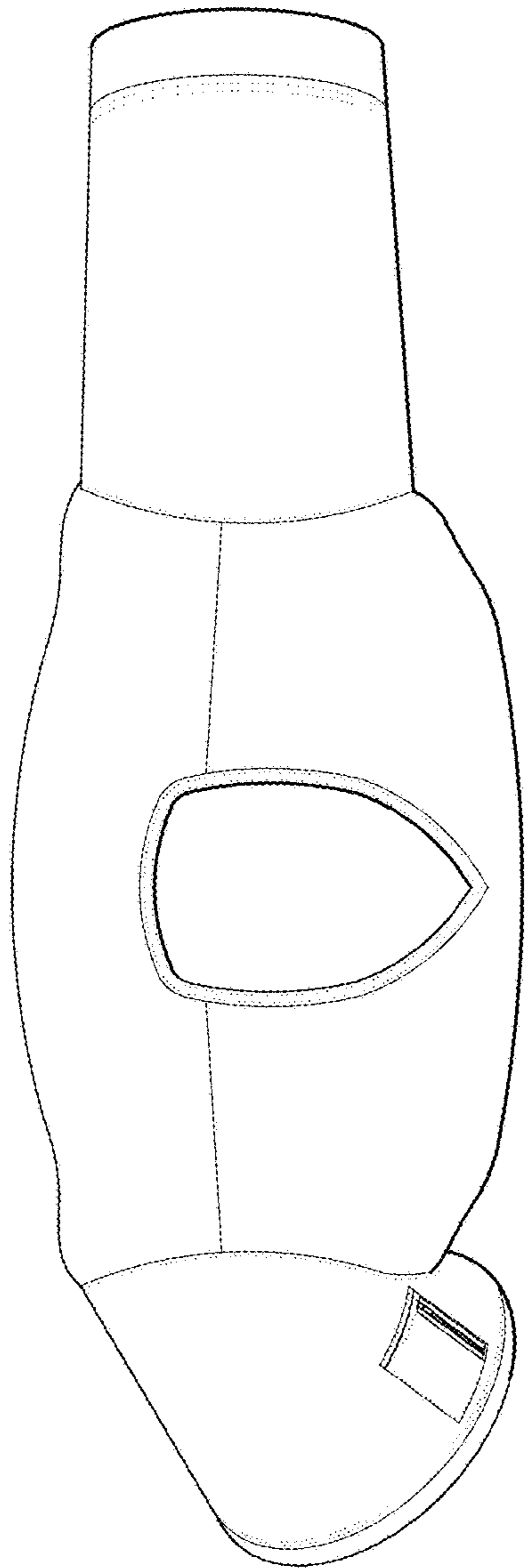


FIG. 67

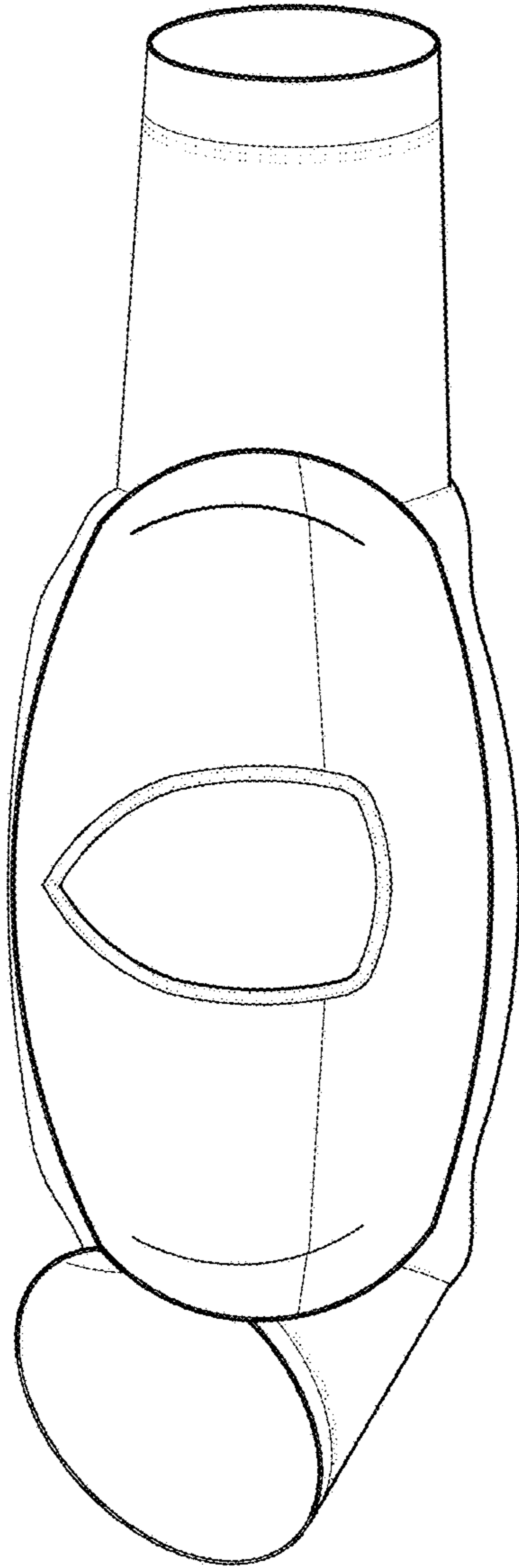


FIG. 68

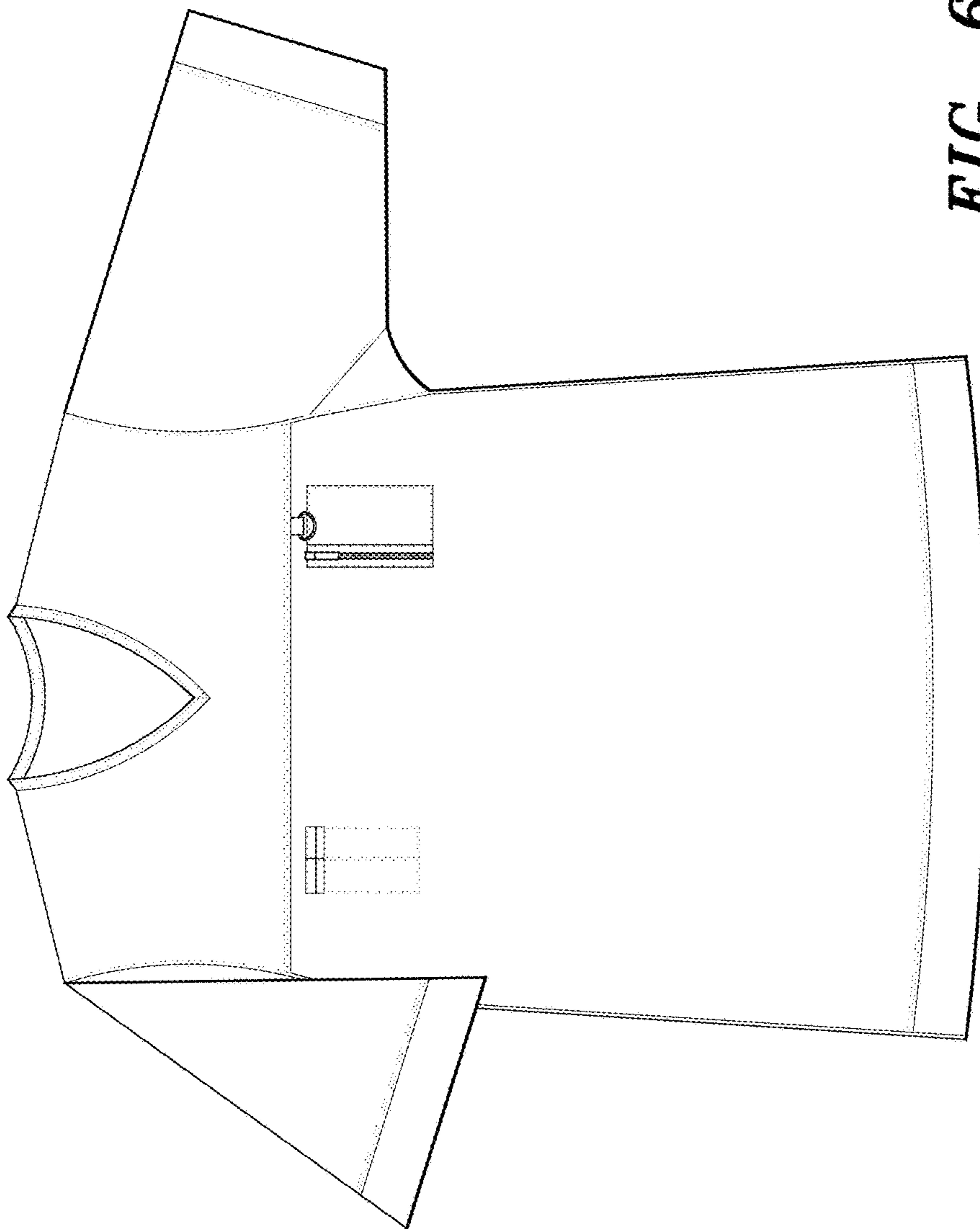


FIG. 69

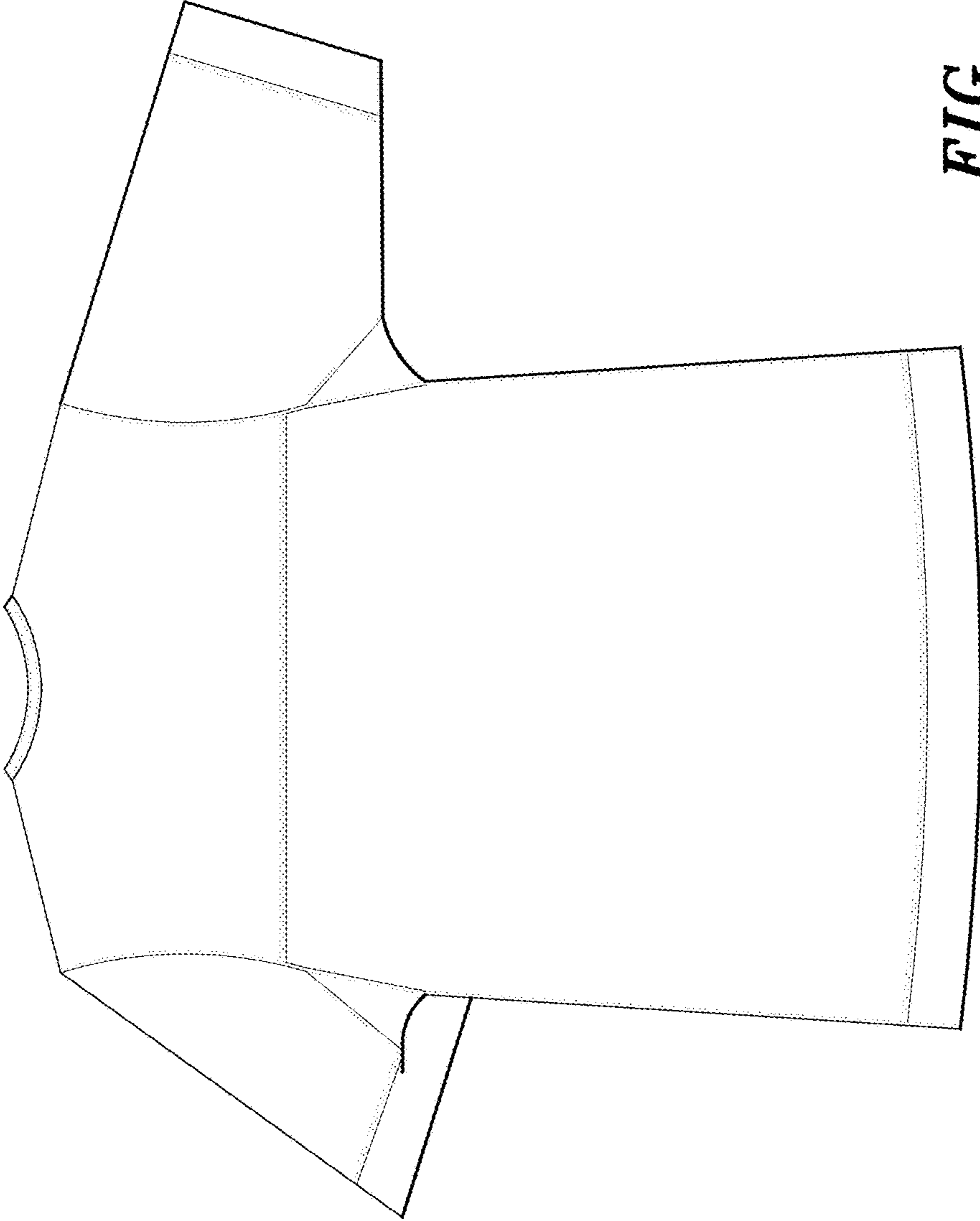


FIG. 70

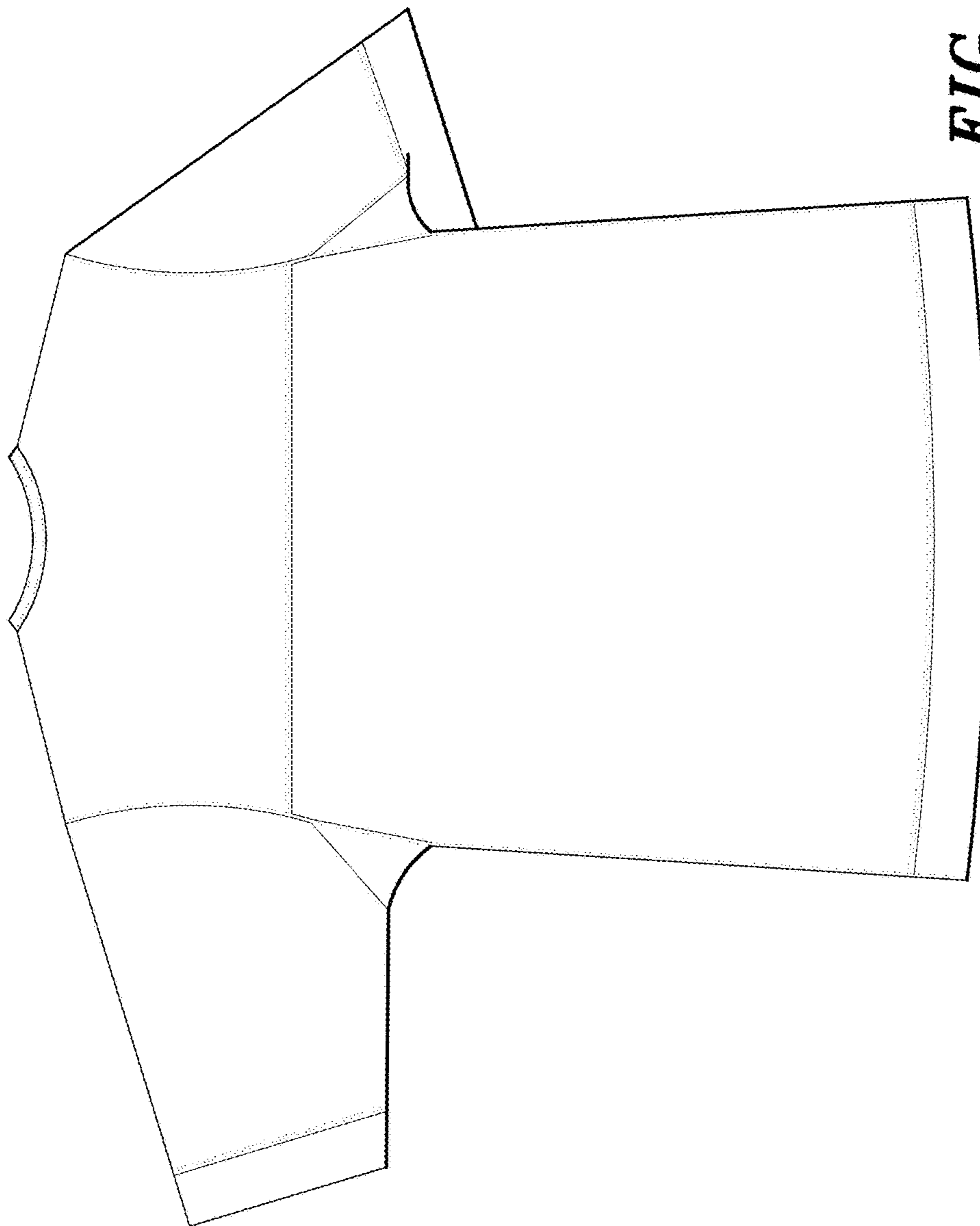


FIG. 71

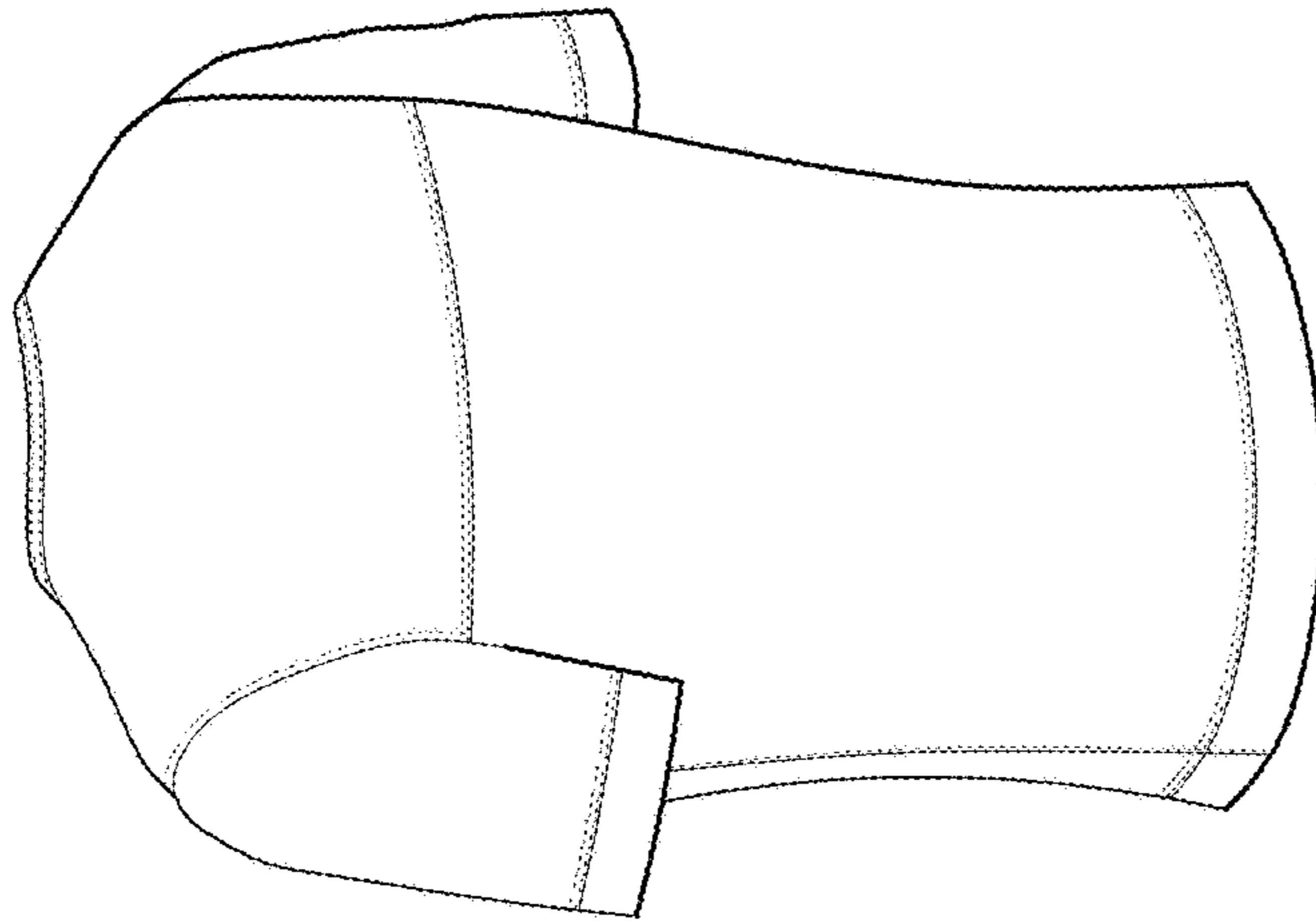


FIG. 73

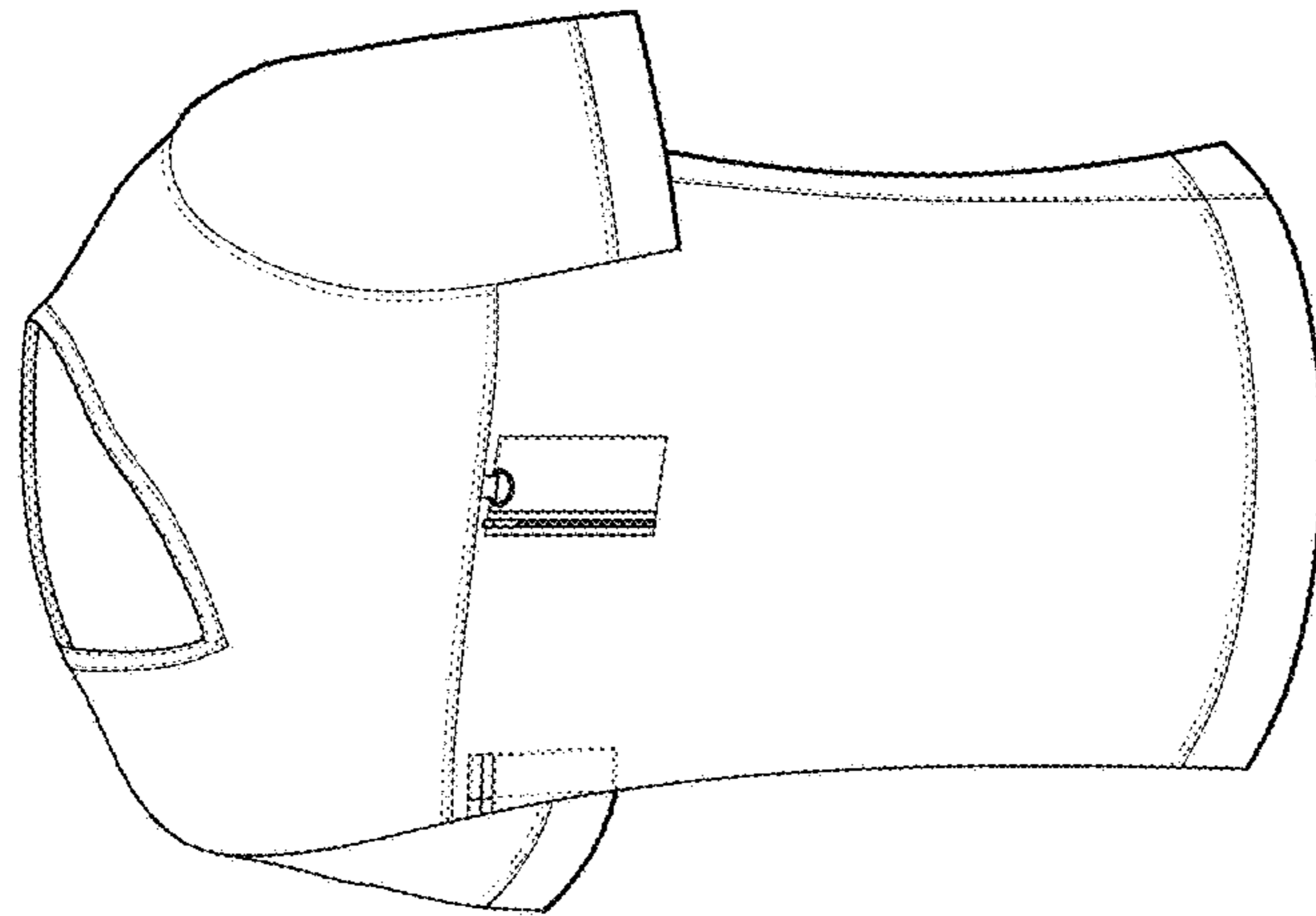


FIG. 72

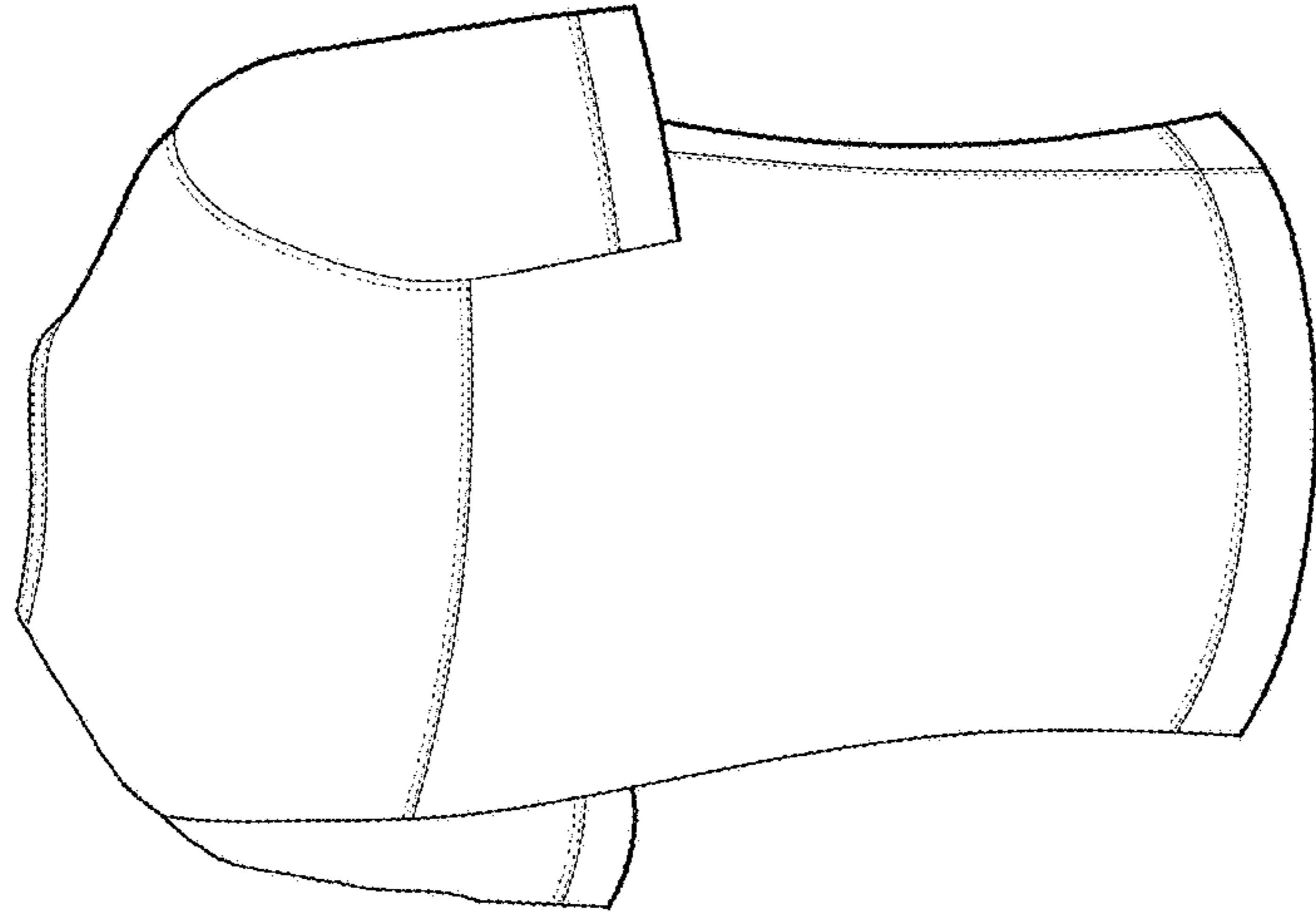


FIG. 75

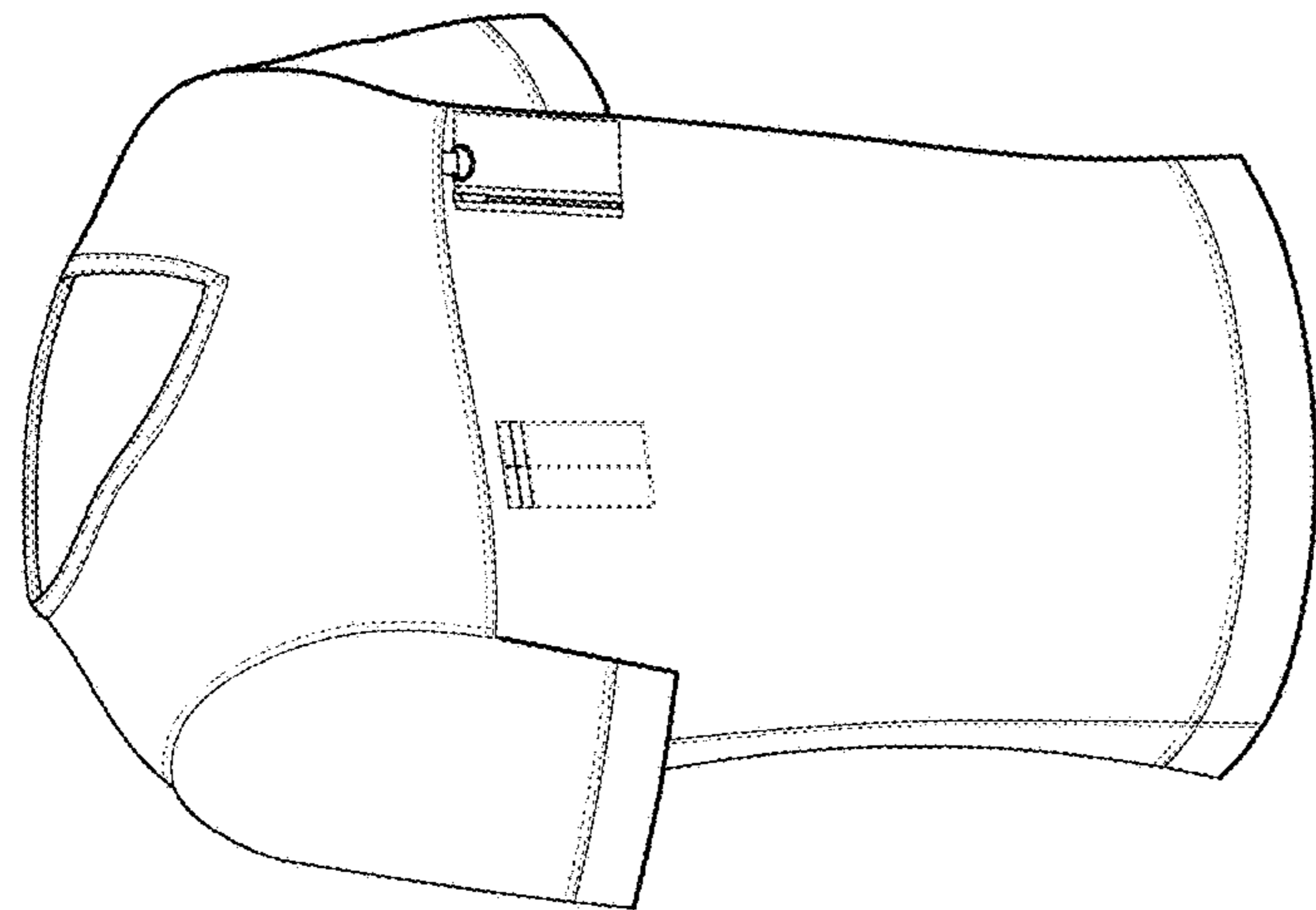


FIG. 74

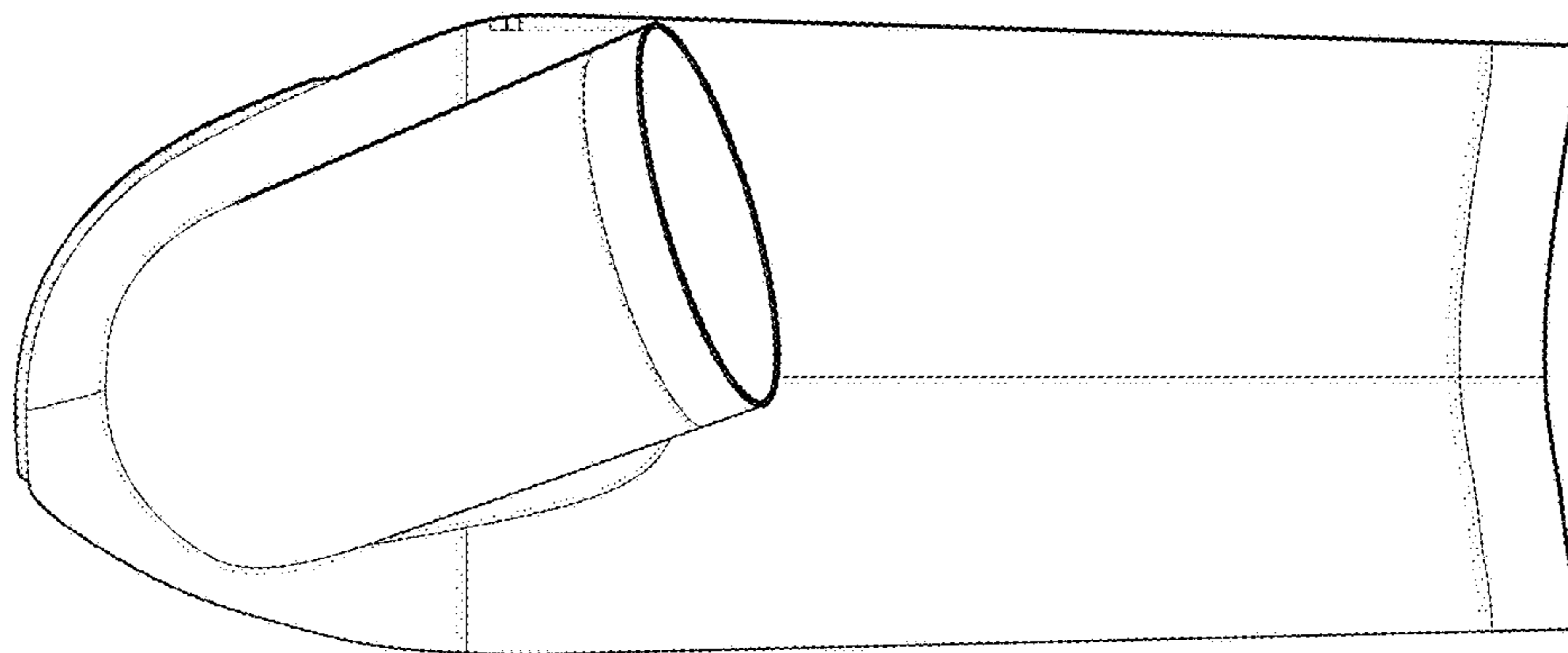


FIG. 76

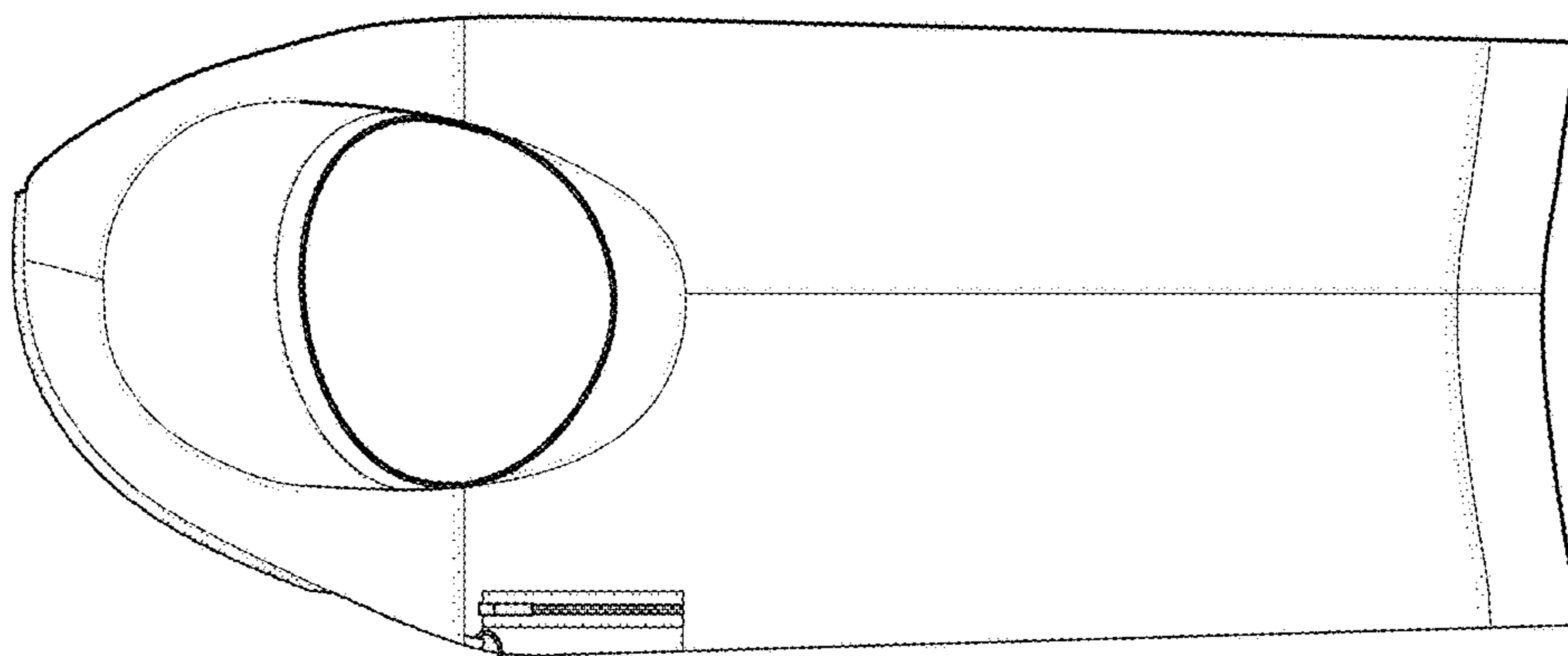


FIG. 77

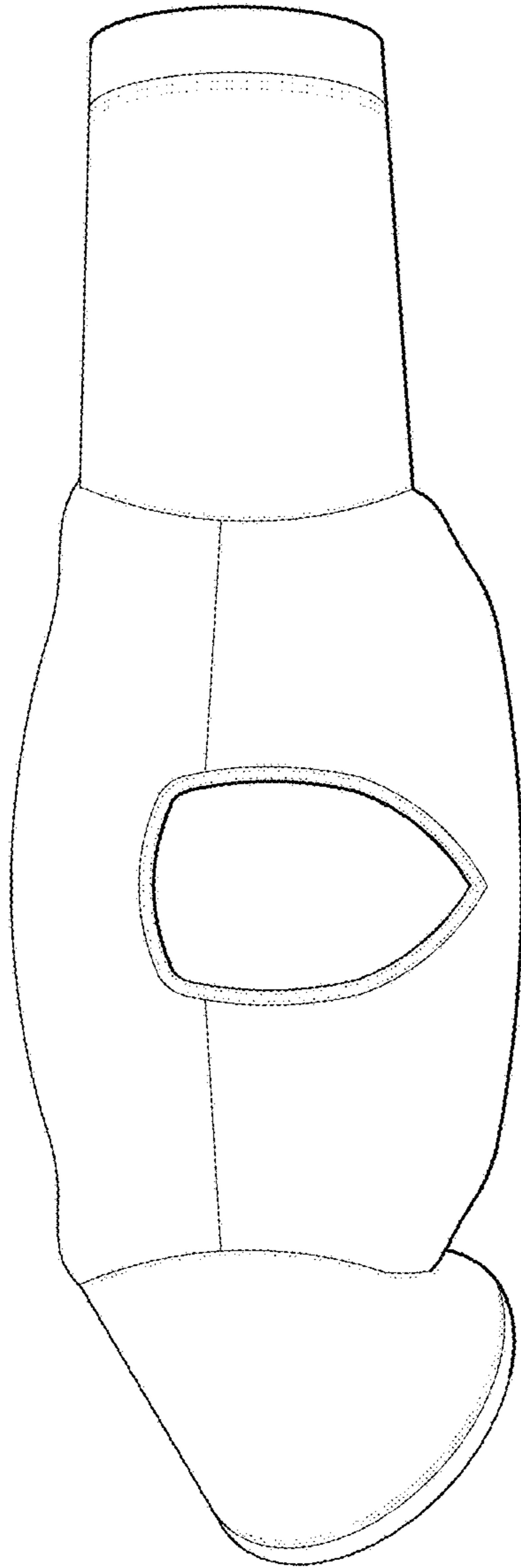


FIG. 78

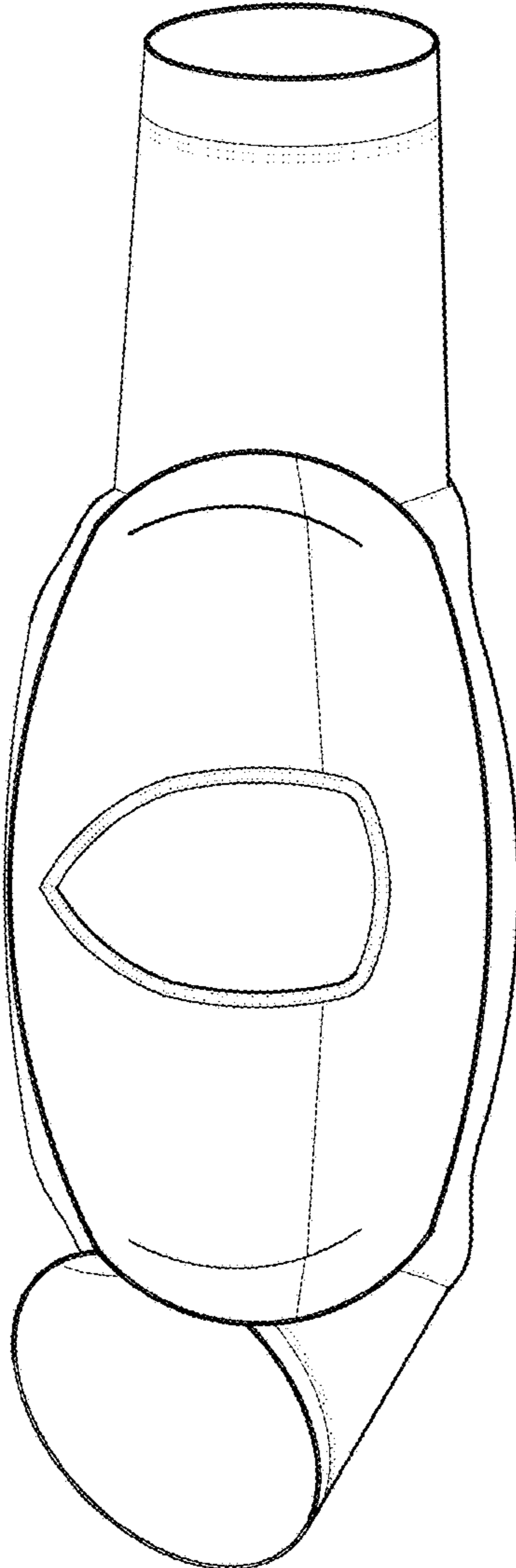


FIG. 79