



US00D868418S

(12) **United States Design Patent** (10) **Patent No.:** **US D868,418 S**
Koo (45) **Date of Patent:** **** Dec. 3, 2019**

(54) **SUPPLEMENTARY FEED FOR PETS**
(71) Applicant: **FORCANS Inc.**, Gyeonggi-do (KR)
(72) Inventor: **Bon Gil Koo**, Gyeonggi-do (KR)
(73) Assignee: **FORCANS, INC.**, Gyeonggi-Do (KR)
(**) Term: **15 Years**
(21) Appl. No.: **29/658,846**
(22) Filed: **Aug. 3, 2018**

D588,651 S * 3/2009 Sinisi D21/501
D598,505 S * 8/2009 Sinisi D21/501
D634,236 S * 3/2011 Gaspard D11/81
D700,457 S * 3/2014 Meyer D6/592
8,776,729 B2 * 7/2014 Koo A01K 15/026
119/710
D713,474 S * 9/2014 Roberson D21/484
D749,292 S * 2/2016 Peniche D1/199
D801,622 S * 11/2017 Koo D1/120
D802,058 S * 11/2017 Ishaque D21/501
D853,455 S * 7/2019 Pagh D15/89
2004/0121699 A1 * 6/2004 Ladner A63H 33/082
446/85
2011/0290197 A1 * 12/2011 Koo A01K 15/026
119/710

(30) **Foreign Application Priority Data**
Jul. 27, 2018 (KR) 30-2018-0034948
(51) **LOC (12) Cl.** **01-01**
(52) **U.S. Cl.**
USPC **D1/125**
(58) **Field of Classification Search**
USPC D1/100–130, 199; 426/74, 92–94, 104,
426/134, 138, 143, 275, 277, 279,
426/281–284, 292, 295, 391, 439, 496,
426/514, 566, 572, 660; 249/92;
D21/484, 501; 119/710; D7/359;
D25/113, 118, 138; D23/366
CPC A23G 3/50; A23G 3/54; A23J 3/26; A23L
1/0067
See application file for complete search history.

* cited by examiner

Primary Examiner — Katie Jane Stofko
(74) *Attorney, Agent, or Firm* — Abelman, Frayne & Schwab

(56) **References Cited**
U.S. PATENT DOCUMENTS
5,826,873 A * 10/1998 Lavermicocca A63F 9/12
273/157 R
D400,601 S * 11/1998 Anello D21/484

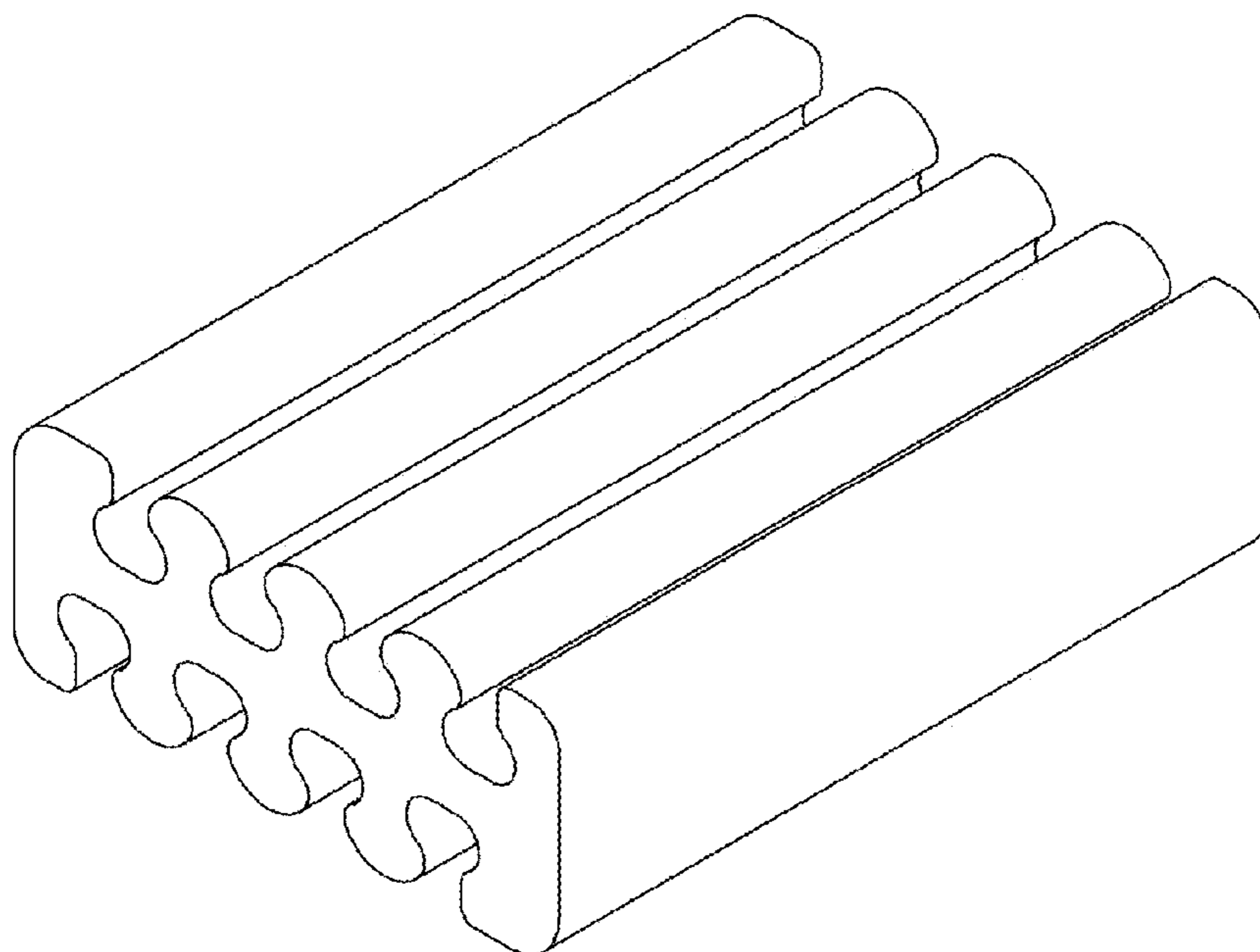
(57) **CLAIM**

The ornamental design for a supplementary feed for pets, as shown and described.

DESCRIPTION

FIG. 1 is a top, front and right side perspective view of a supplementary feed for pets showing the new design; FIG. 2 is a front elevation view thereof; FIG. 3 is a rear elevation view thereof; FIG. 4 is a left side elevation view thereof; the right side elevation view being a mirror image thereof; FIG. 5 is a top plan thereof; and, FIG. 6 is a bottom plan thereof.

1 Claim, 3 Drawing Sheets



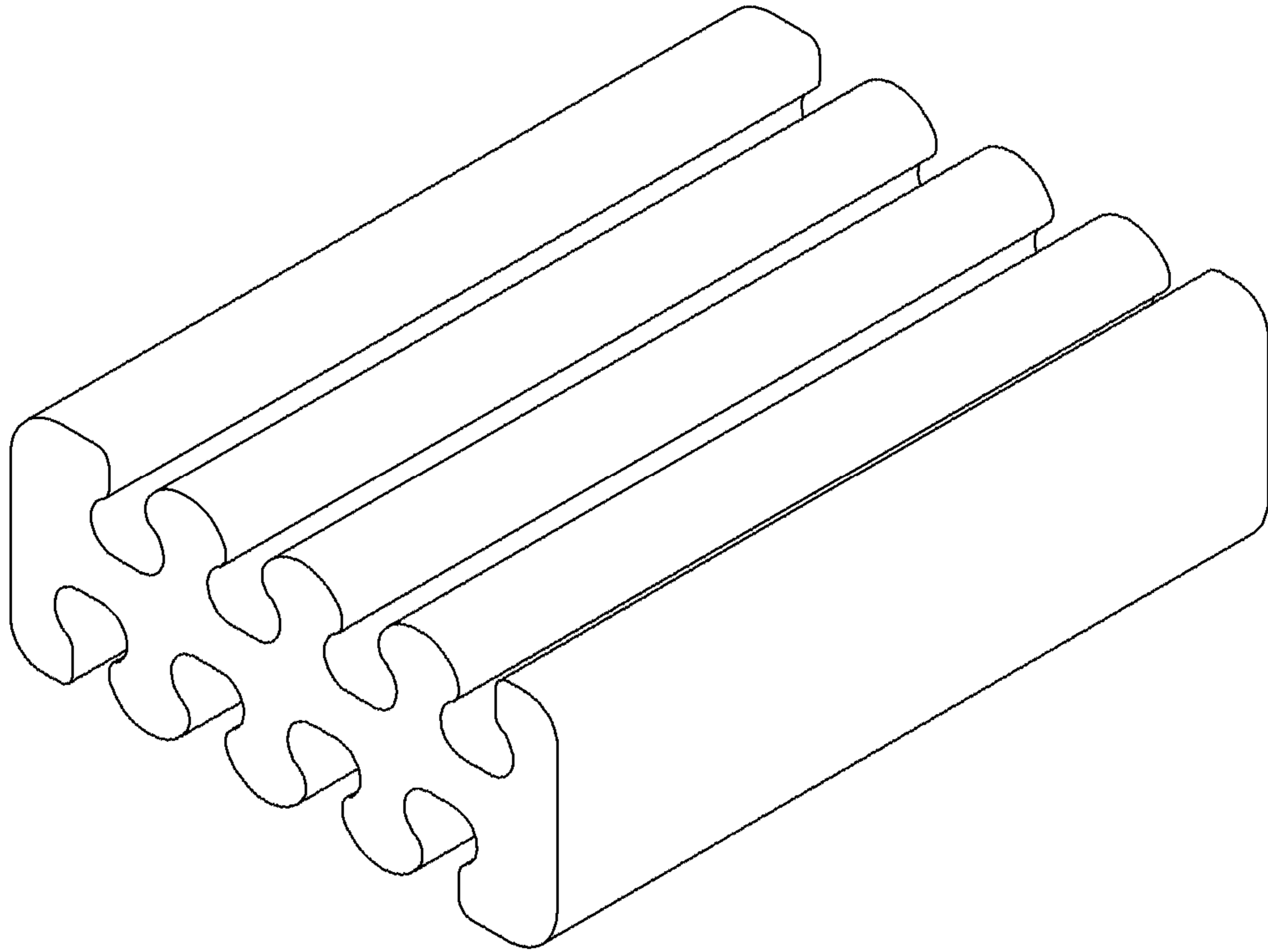


FIG. 1

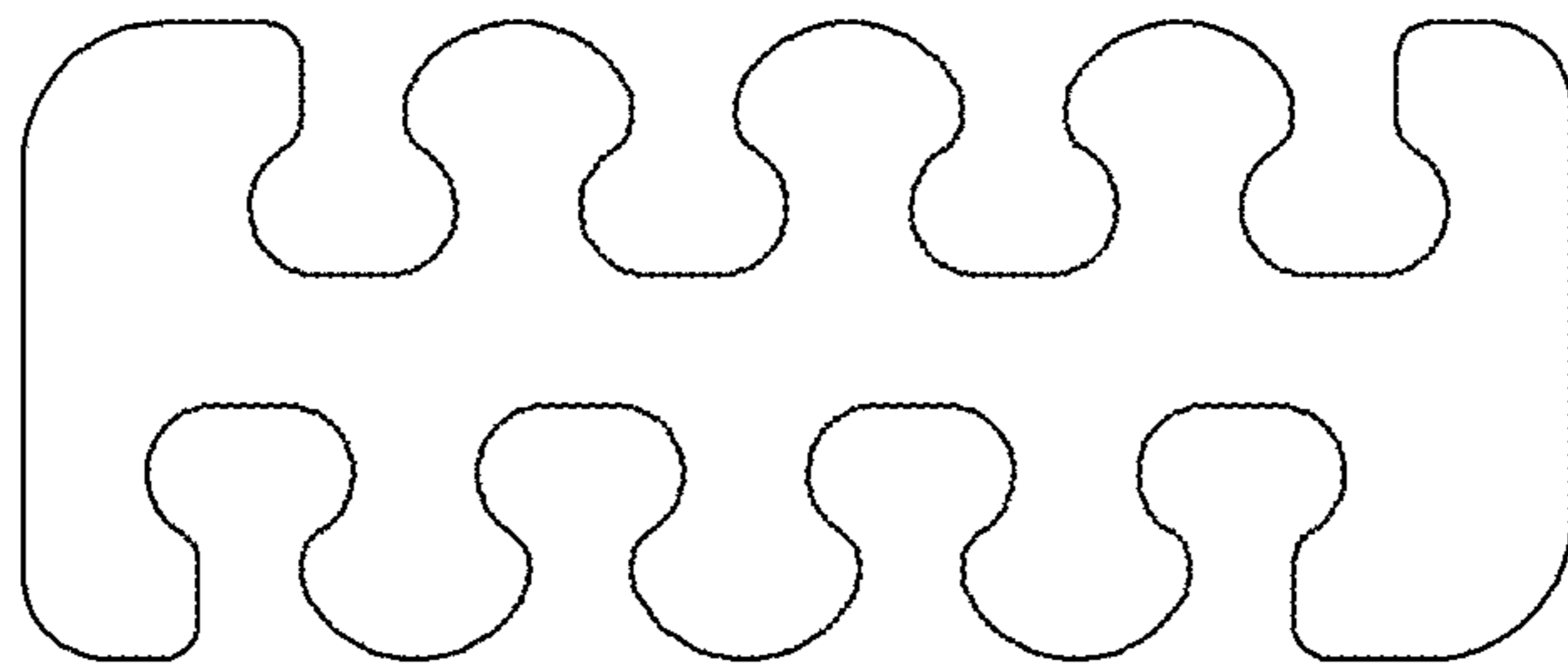


FIG. 2

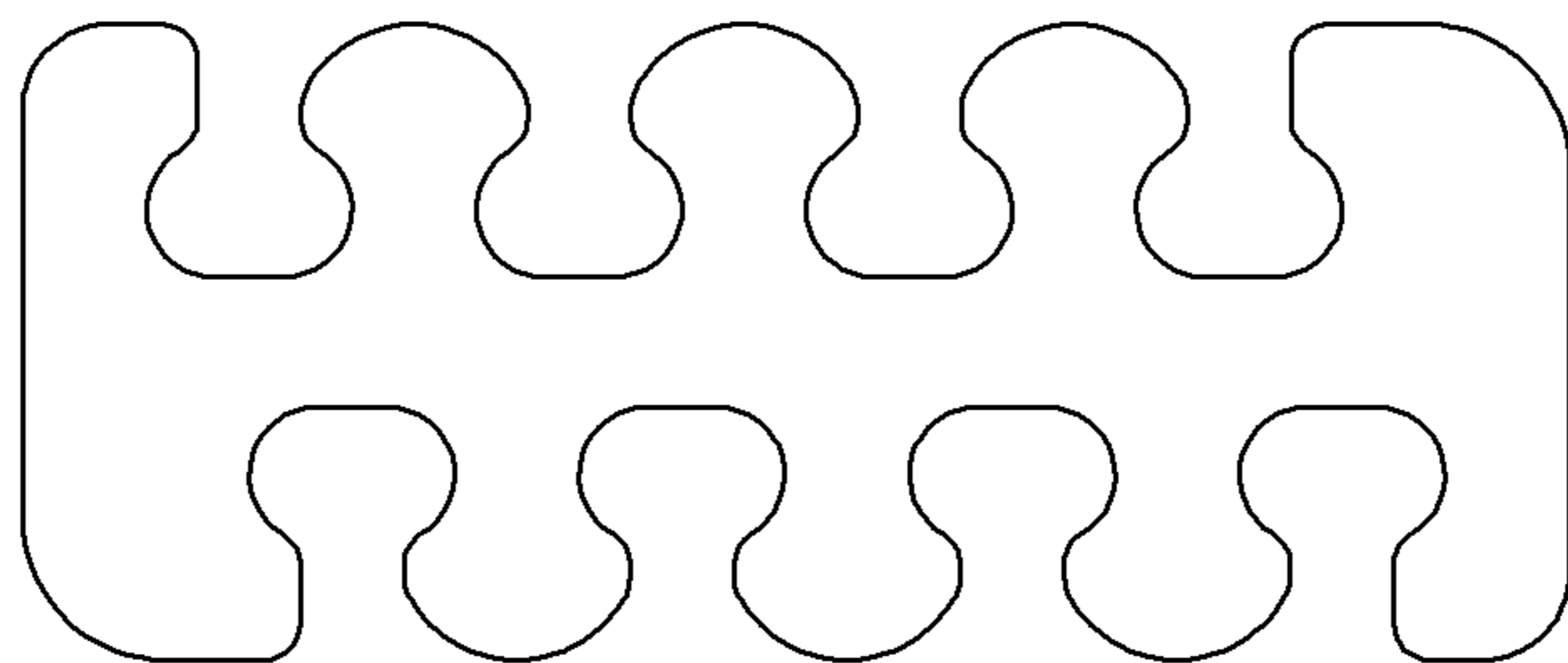


FIG. 3

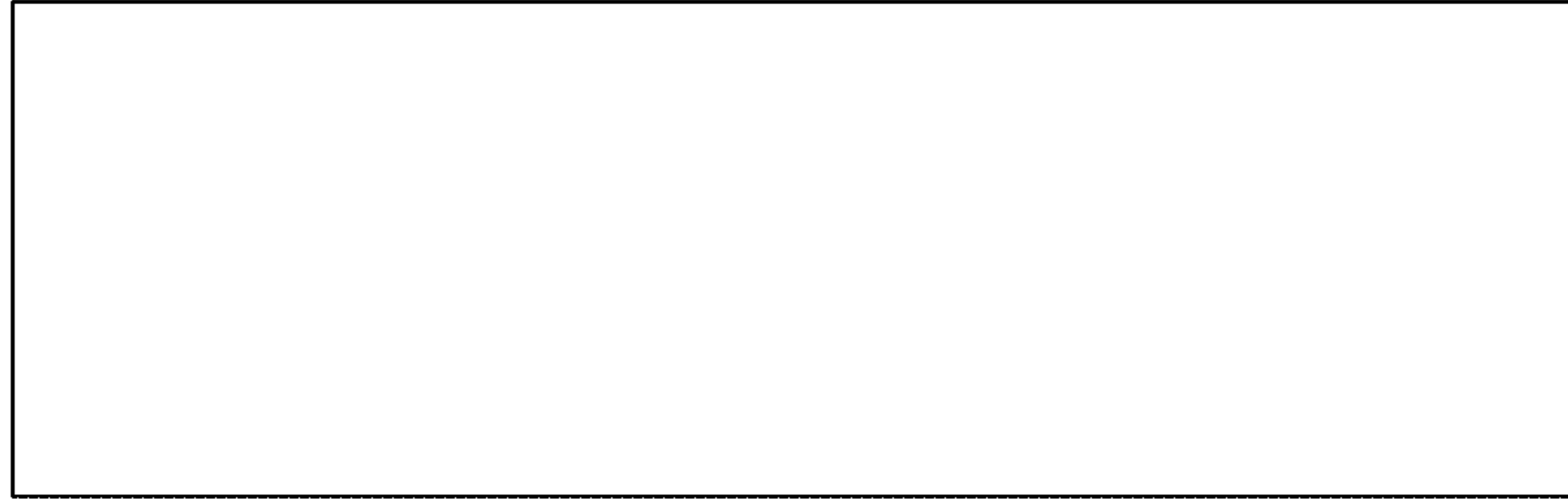


FIG. 4

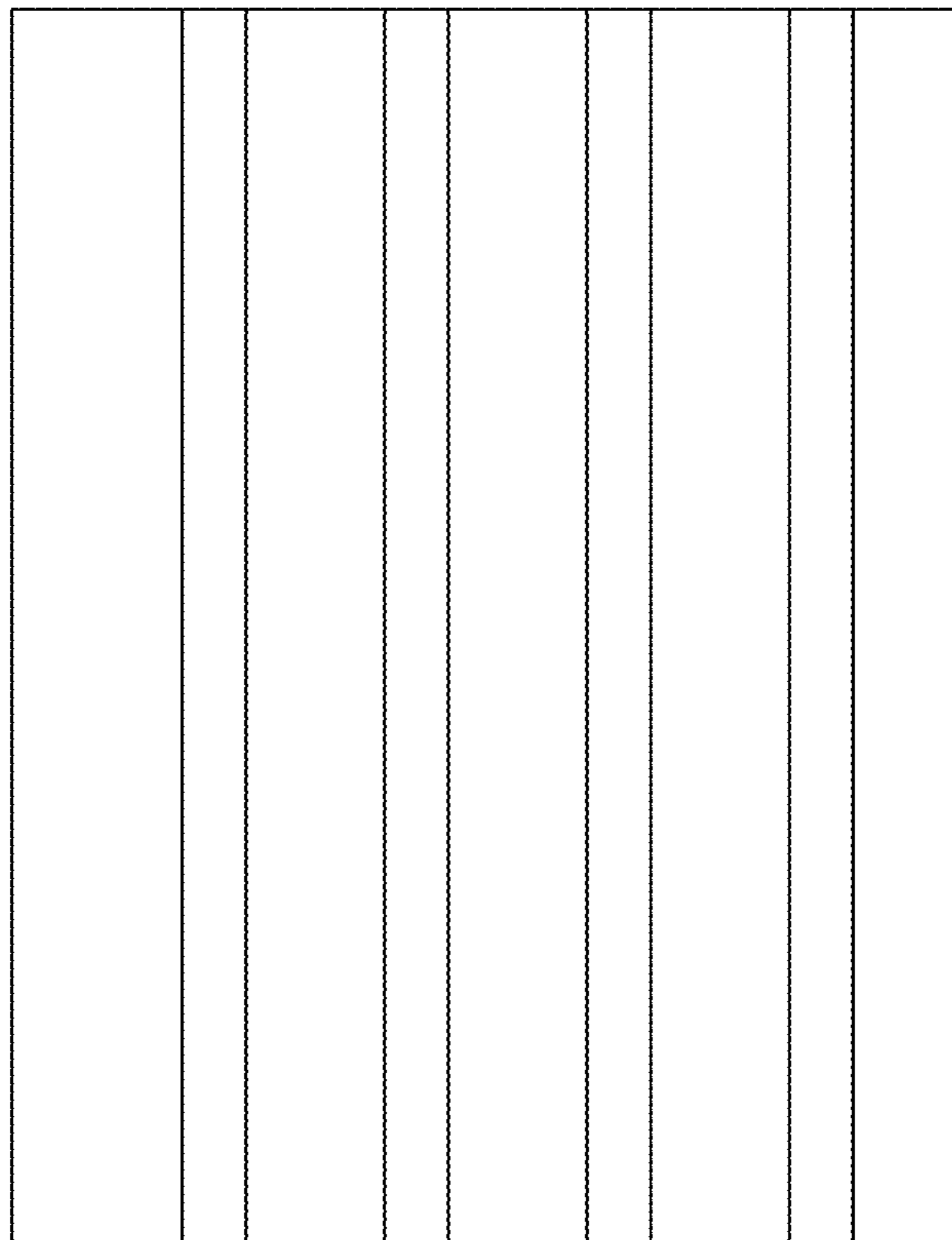


FIG. 5

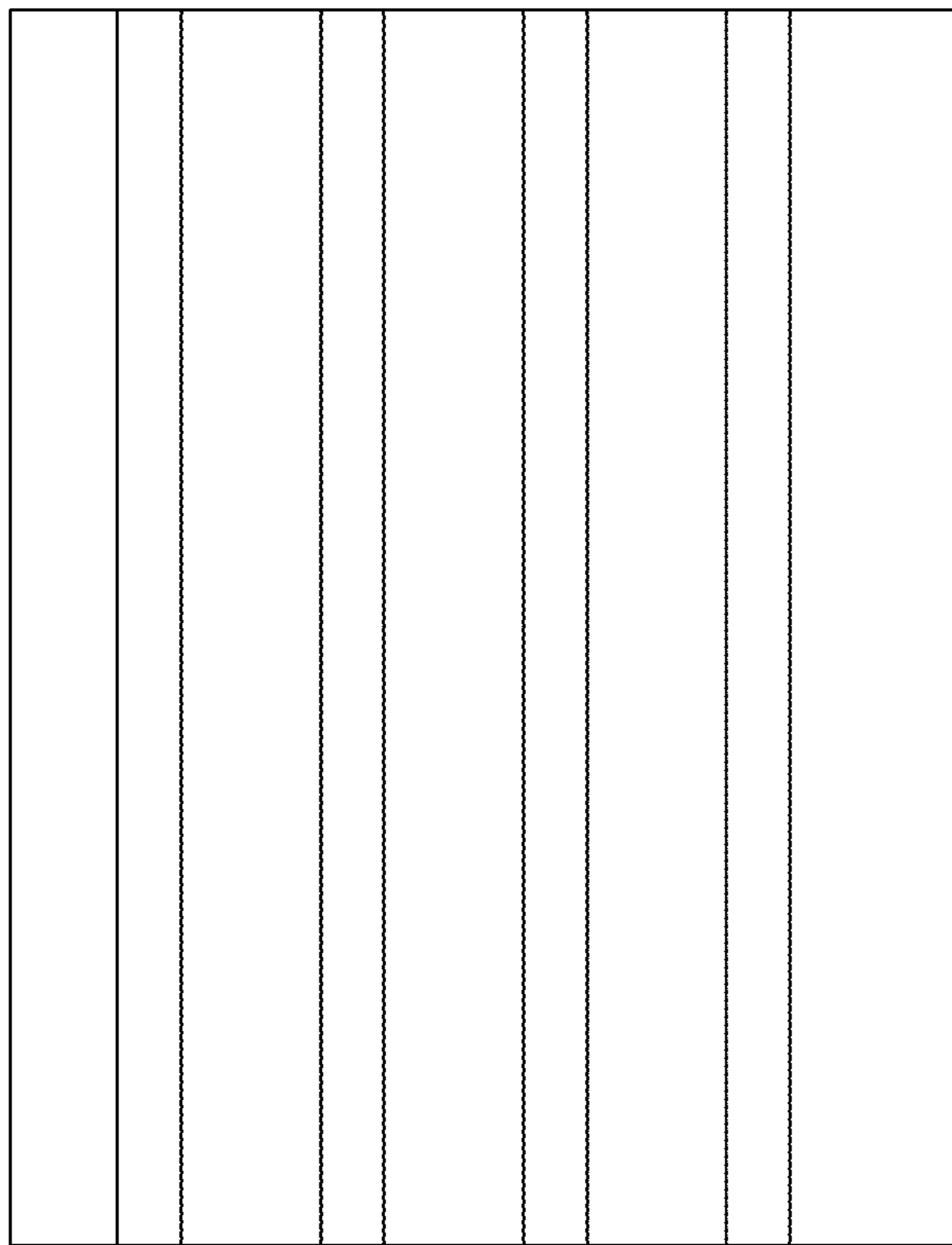


FIG. 6