



US00D868416S

(12) **United States Design Patent** (10) **Patent No.:** **US D868,416 S**
Tarquini (45) **Date of Patent:** **** Dec. 3, 2019**

(54) **WAFER CUP**

(71) Applicant: **Valter Tarquini**, Rome (IT)

(72) Inventor: **Valter Tarquini**, Rome (IT)

(**) Term: **15 Years**

(21) Appl. No.: **29/654,822**

(22) Filed: **Jun. 27, 2018**

Related U.S. Application Data

(62) Division of application No. 35/502,146, filed on Aug. 24, 2016 (U.S. filing date under 35 U.S.C. 384), and having an international filing date of Aug. 24, 2016, now Pat. No. Des. 822,941.

(51) **LOC (12) Cl.** **01-01**

(52) **U.S. Cl.**
USPC **D1/118; D1/130**

(58) **Field of Classification Search**

USPC D1/100-130, 199; 426/92, 94, 104, 134, 426/138, 143, 275, 277, 279, 281-284, 426/292, 295, 391, 496, 514, 566, 572, 426/660, 658, 76; 249/92; D8/83; D21/487; D7/536, 607, 608, 515, 531, D7/540, 507, 523, 532, 619.1, 620, 624.1; D9/428-430, 516, 692, 744, 416, 436
CPC A23L 1/0067; A23L 1/1645; A23G 9/503; A23G 9/48; A23G 3/54; A23C 2270/05
See application file for complete search history.

(56) **References Cited**

U.S. PATENT DOCUMENTS

D63,315 S *	11/1923	Perky	D1/118
D66,672 S *	2/1925	Dresser	D1/118
D319,912 S *	9/1991	Buttermann, Jr.	D1/116
D319,913 S *	9/1991	George	426/514
D325,112 S *	4/1992	Thompson	D1/118
D386,885 S *	12/1997	Bell	D1/116
5,916,611 A *	6/1999	Bell	A23G 9/506 206/503
D437,672 S *	2/2001	Knox	D1/116
D471,375 S *	3/2003	Nichols, III	D6/388
D490,588 S *	6/2004	Baker	D1/102
D600,496 S *	9/2009	Fernandes	D7/354
D821,690 S *	7/2018	Gagliardi	D1/126
D822,941 S *	7/2018	Tarquini	D1/118

* cited by examiner

Primary Examiner — Katie Jane Stofko

(74) *Attorney, Agent, or Firm* — The Marbury Law Group, PLLC

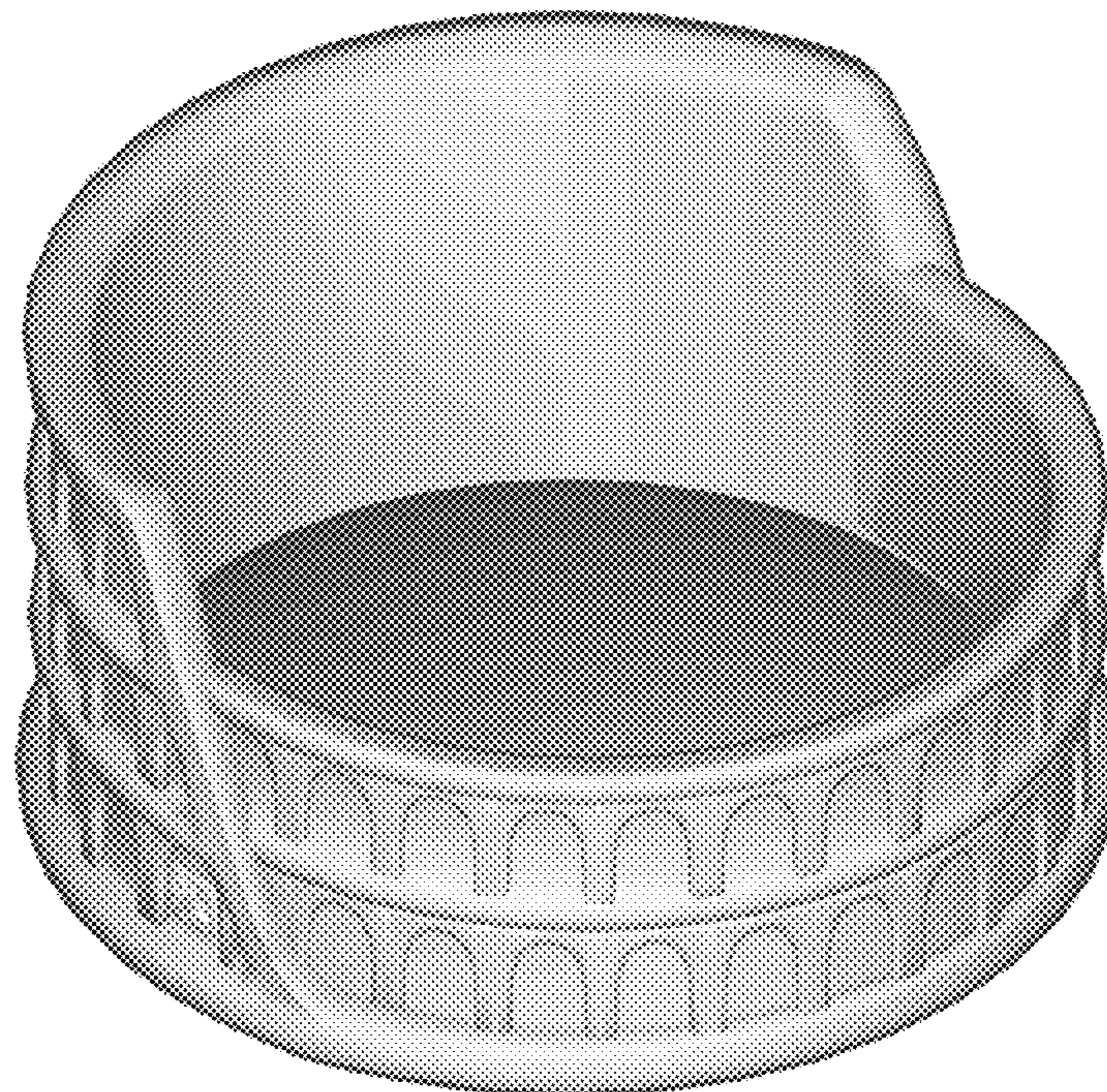
(57) **CLAIM**

The ornamental design for a wafer cup, as shown and described.

DESCRIPTION

FIG. 1 is a front elevation view of a wafer cup; FIG. 2 is a top perspective view thereof; and, FIG. 3 is a bottom perspective view thereof.

1 Claim, 3 Drawing Sheets



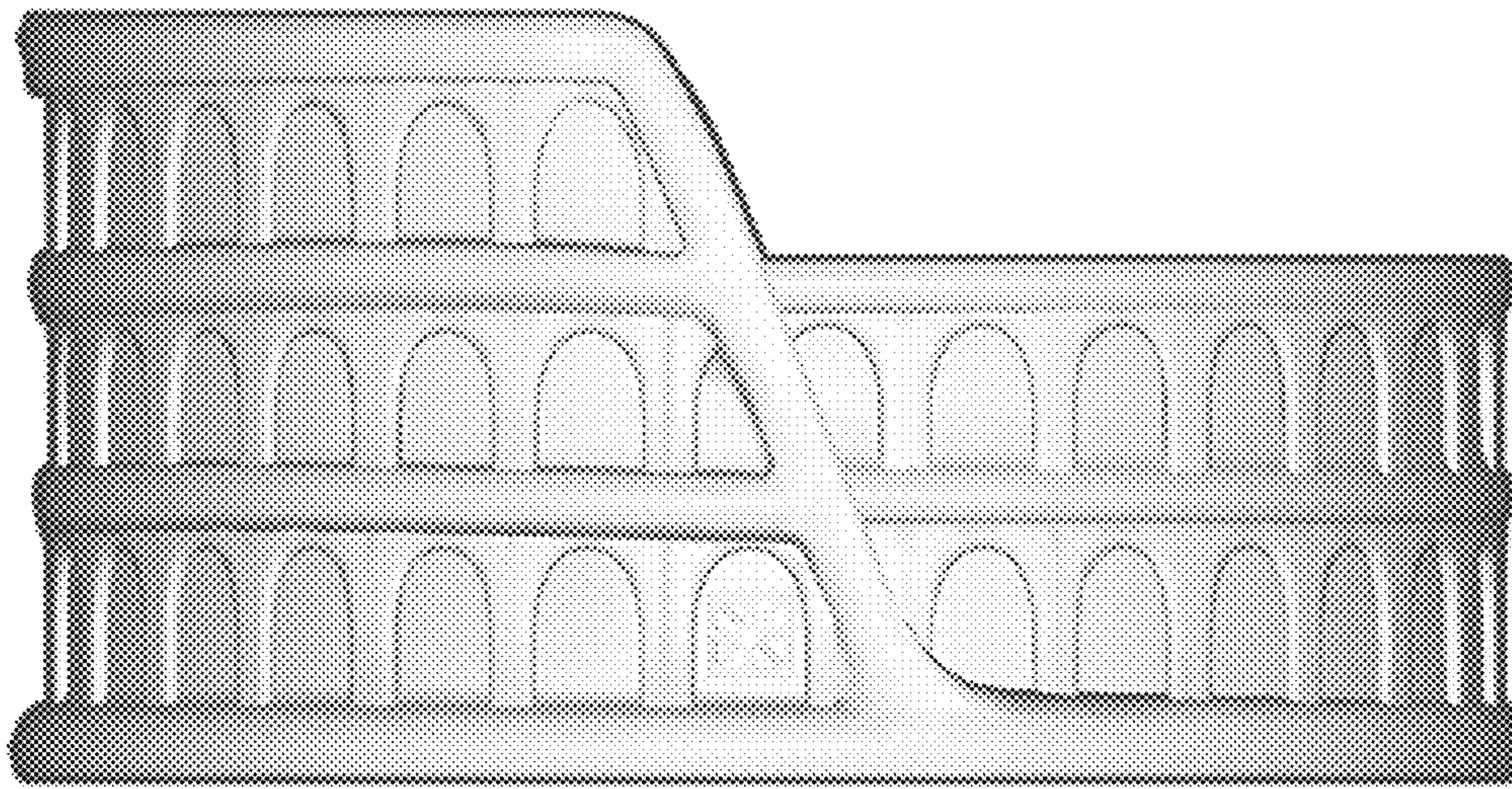


FIG. 1

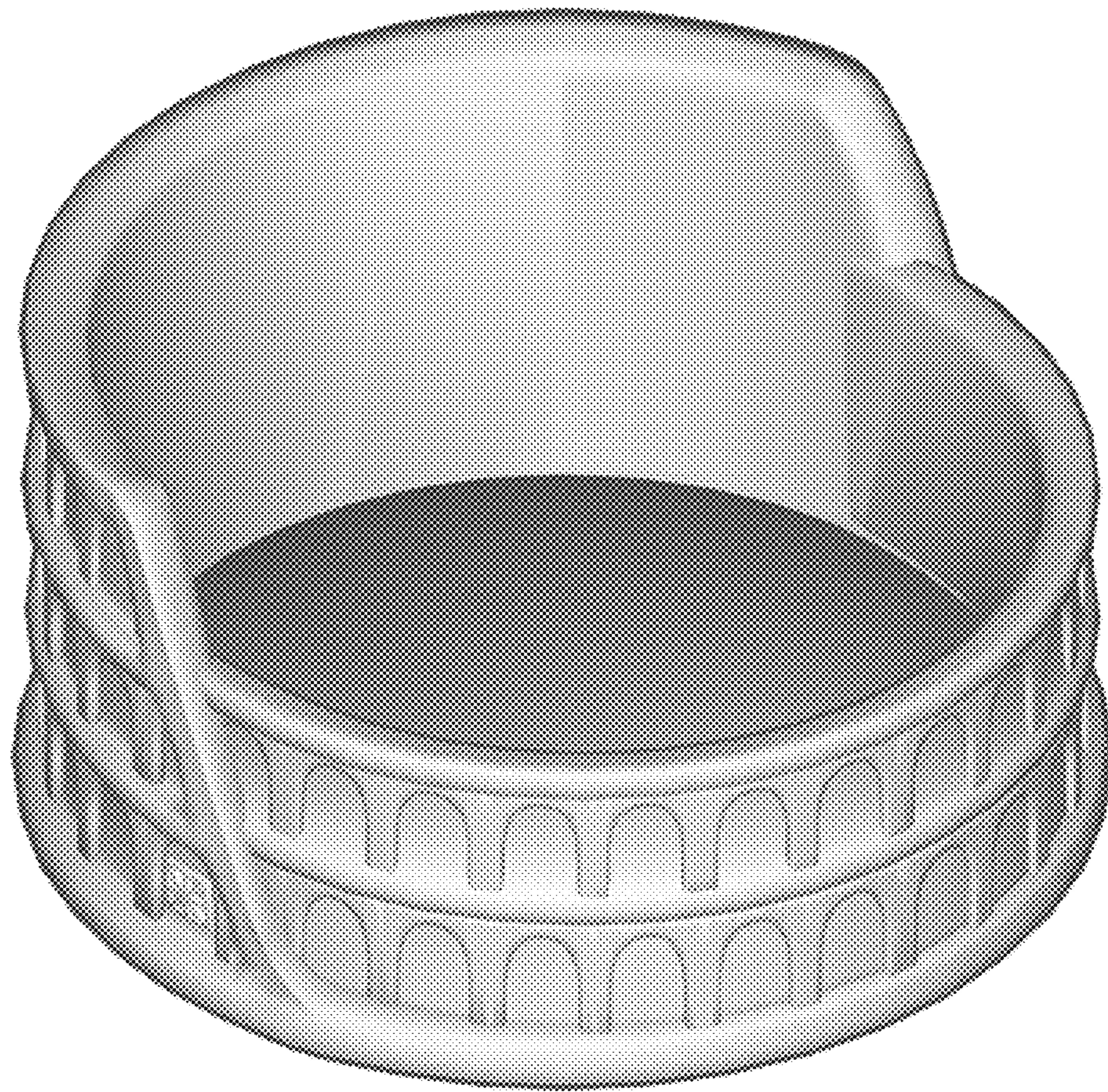


FIG. 2

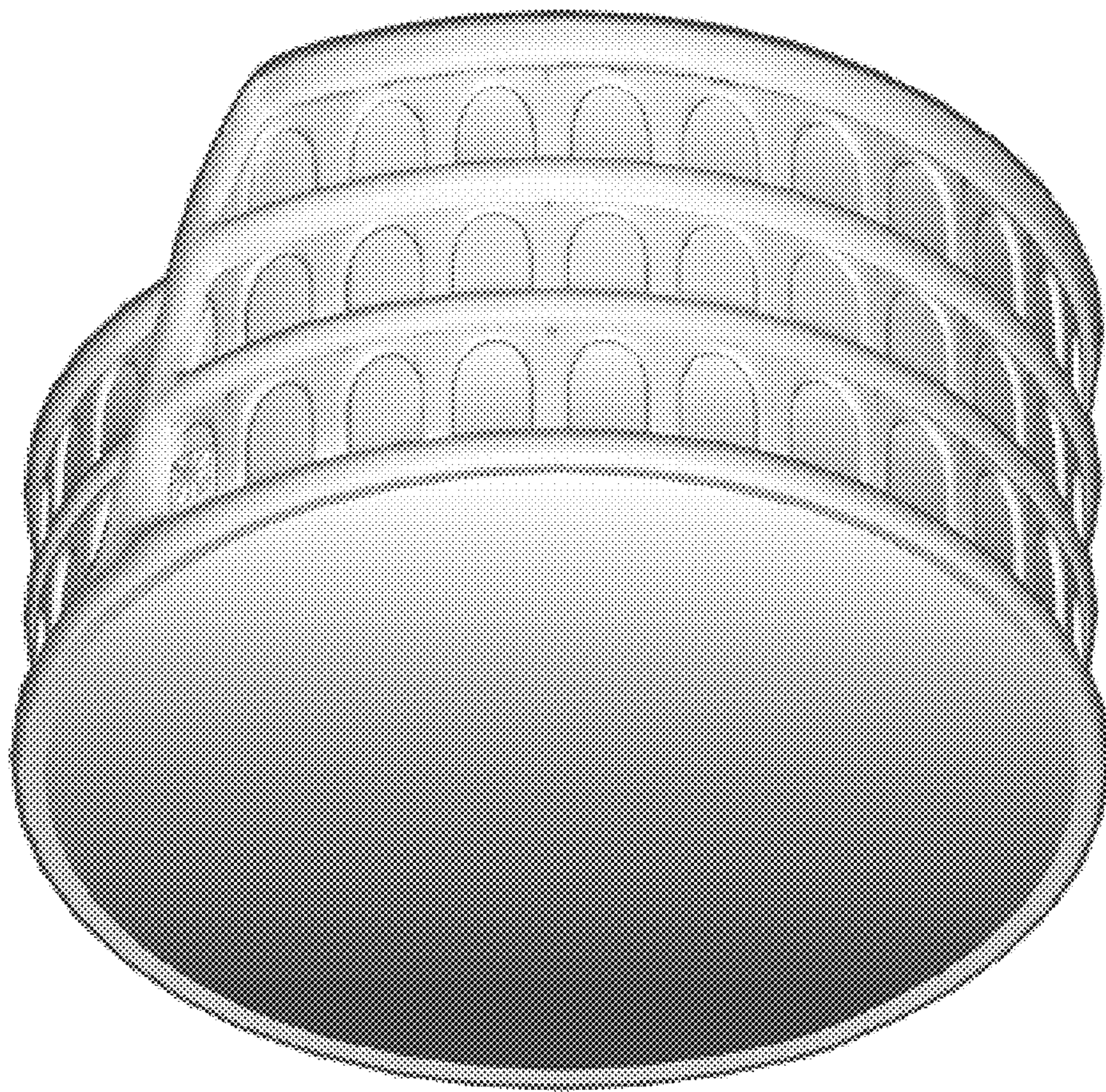


FIG. 3

UNITED STATES PATENT AND TRADEMARK OFFICE
CERTIFICATE OF CORRECTION

PATENT NO. : D868,416 S
APPLICATION NO. : 29/654822
DATED : December 3, 2019
INVENTOR(S) : Valter Tarquini

Page 1 of 1

It is certified that error appears in the above-identified patent and that said Letters Patent is hereby corrected as shown below:

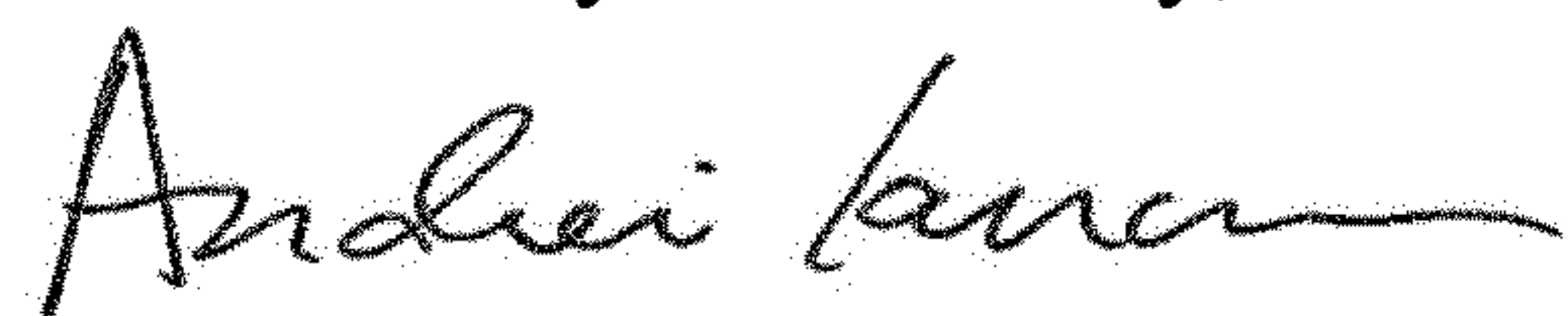
On the Title Page

Column 1, after the Related U.S. Application Data section insert:

--(30) Foreign Application Priority Data

May 23, 2016 (IT) 402016000052539--

Signed and Sealed this
Fourth Day of February, 2020



Andrei Iancu
Director of the United States Patent and Trademark Office