



US00D868415S

(12) **United States Design Patent**  
**Vachalec et al.**

(10) **Patent No.:** **US D868,415 S**

(45) **Date of Patent:** **\*\* Nov. 26, 2019**

- (54) **URN**
- (71) Applicant: **ModUrn Group Pty Ltd.**, Victoria (AU)
- (72) Inventors: **Sonia Vachalec**, Victoria (AU); **Jon Seddon**, Victoria (AU); **Maggie Tang**, Victoria (AU)
- (73) Assignee: **MODURN GROUP PTY LTD**, Brighton, Victoria (AU)
- (\*\*) Term: **15 Years**
- (21) Appl. No.: **29/647,279**
- (22) Filed: **May 11, 2018**
- (51) **LOC (12) Cl.** ..... **03-01**
- (52) **U.S. Cl.**  
USPC ..... **D99/5**
- (58) **Field of Classification Search**  
USPC ..... D99/3, 5, 20, 21, 28, 34, 35; D3/17, 24, D3/234; D9/609, 694, 738, 432; D11/51, 75, 82  
CPC ..... A61G 17/00; A61G 17/08; A61G 17/007; A61G 17/0073; A61G 17/0106; E04H 13/008; E04H 13/00  
See application file for complete search history.

- 6,172,665 B1 \* 1/2001 Bullister ..... G06F 3/0213 345/163
- D466,829 S \* 12/2002 Hsia ..... D11/155
- D477,219 S \* 7/2003 Waterhouse ..... D9/430
- D616,624 S \* 5/2010 Steuer ..... D99/5
- D649,324 S \* 11/2011 Baldi ..... D99/5
- D711,236 S \* 8/2014 Friesen ..... D9/519
- D734,300 S \* 7/2015 Fujioka ..... D14/214

(Continued)

**FOREIGN PATENT DOCUMENTS**

- WO WO-2010146219 A1 \* 12/2010 ..... A61G 17/0073

**OTHER PUBLICATIONS**

Modern Geometric Cremation Urn, posted May 7, 2018 [online], retrieved Jan. 12, 2019, retrieved from internet, <<https://shop.coffinsupplies.co.uk/products/modern-geometric-cremation-urn-artistic-funeral-urn-for-adult-ashes-art31>>.\*

(Continued)

*Primary Examiner* — Barbara Fox  
*Assistant Examiner* — Messina L Smith  
(74) *Attorney, Agent, or Firm* — Nixon & Vanderhye P.C.

(57) **CLAIM**

The ornamental design for an urn, as shown and described.

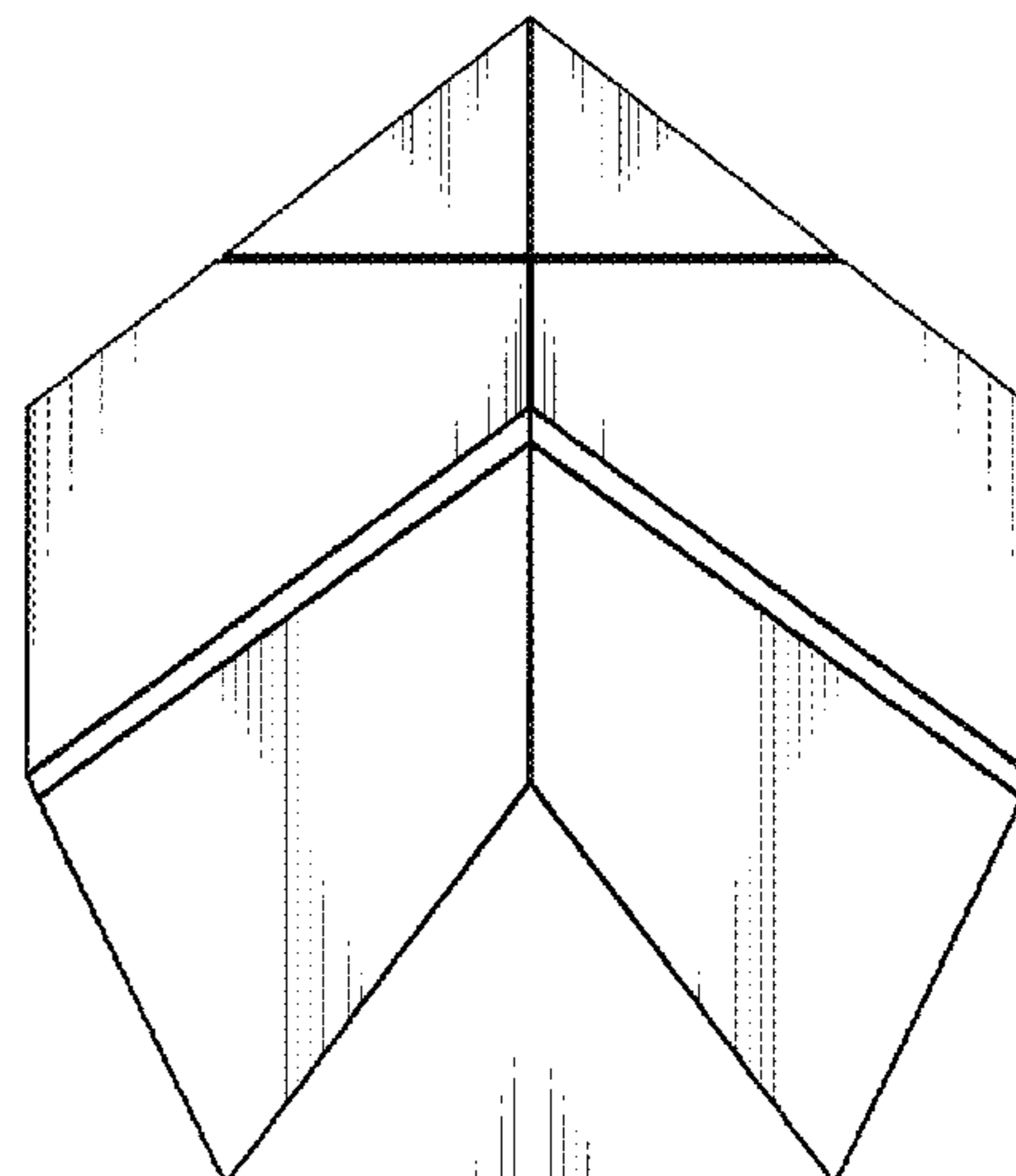
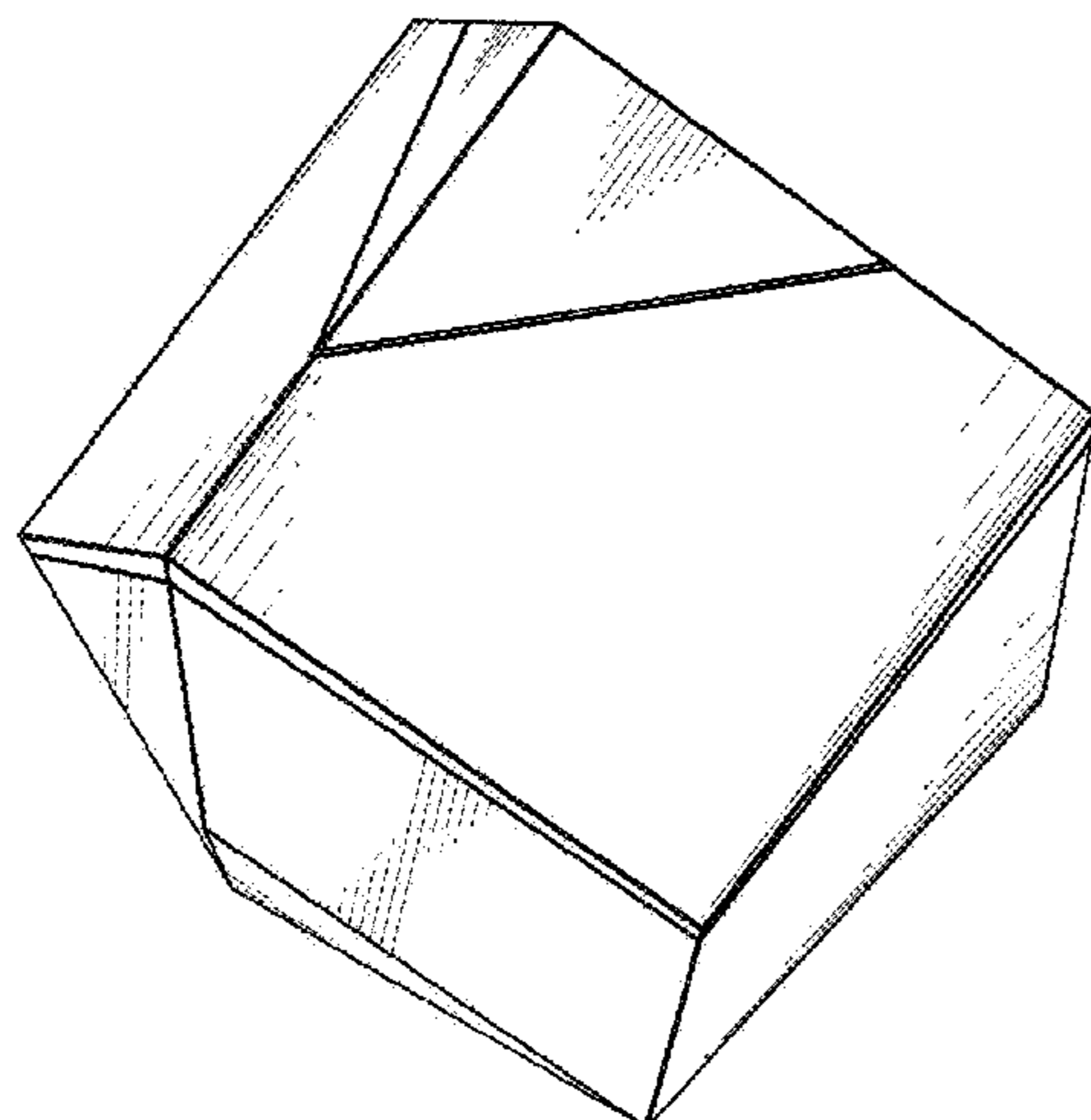
**DESCRIPTION**

FIG. 1 is a front perspective view from the top of an urn according to our new ornamental design; FIG. 2 is a front perspective view thereof; FIG. 3 is another perspective view thereof, from the rear; FIG. 4 is a left side perspective view thereof; FIG. 5 is a right side perspective view thereof; FIG. 6 is another perspective view thereof; and, FIG. 7 is a bottom view thereof. The broken lines shown in the drawings depict portions of the urn that form no part of the claimed design.

**1 Claim, 7 Drawing Sheets**

(56) **References Cited**  
**U.S. PATENT DOCUMENTS**

- D212,004 S \* 8/1968 Emond ..... D14/210
- D236,062 S \* 7/1975 Winston ..... D6/601
- 4,348,442 A \* 9/1982 Figge ..... B32B 3/30 428/72
- D275,836 S \* 10/1984 Forbes, Jr. .... D9/418
- D288,090 S \* 2/1987 Lewis ..... D14/211
- D324,503 S \* 3/1992 Caisley ..... D11/143
- D350,692 S \* 9/1994 Seki ..... D9/414
- D395,123 S \* 6/1998 Barretto ..... D9/432
- D407,308 S \* 3/1999 Driscoll ..... D9/432
- 6,141,034 A \* 10/2000 McCutchen ..... G02B 27/22 348/36



(56)

**References Cited**

U.S. PATENT DOCUMENTS

D743,970 S \* 11/2015 Cepass ..... D14/480.2  
D748,599 S \* 2/2016 Lehanneur ..... D14/204  
D753,484 S \* 4/2016 Lyulyev ..... D9/432  
D788,581 S \* 6/2017 Gay ..... D9/430  
D802,428 S \* 11/2017 Staab ..... D9/522  
D802,559 S \* 11/2017 Holzer ..... D14/210  
D813,041 S \* 3/2018 Staab ..... D9/522  
D818,991 S \* 5/2018 Zhang ..... D14/216  
2010/0043187 A1\* 2/2010 Steuer ..... A61G 17/08  
27/1  
2011/0173785 A1\* 7/2011 Myhre ..... A61G 19/00  
27/27  
2016/0205453 A1\* 7/2016 Wiese ..... H04R 1/02  
381/26

OTHER PUBLICATIONS

Black Lux Modurn, posted © 2018 [online], retrieved Jan. 12, 2019,  
retrieved from internet, <<https://modurn.com/product/681/>>.\*

ModUrn Pet Explainer Video 2019, posted Jan. 8, 2019 00:13  
[online], retrieved Jan. 12, 2019, retrieved from internet, <[https://www.youtube.com/watch?v=kfjesjLZ\\_T4](https://www.youtube.com/watch?v=kfjesjLZ_T4)>.\*

\* cited by examiner

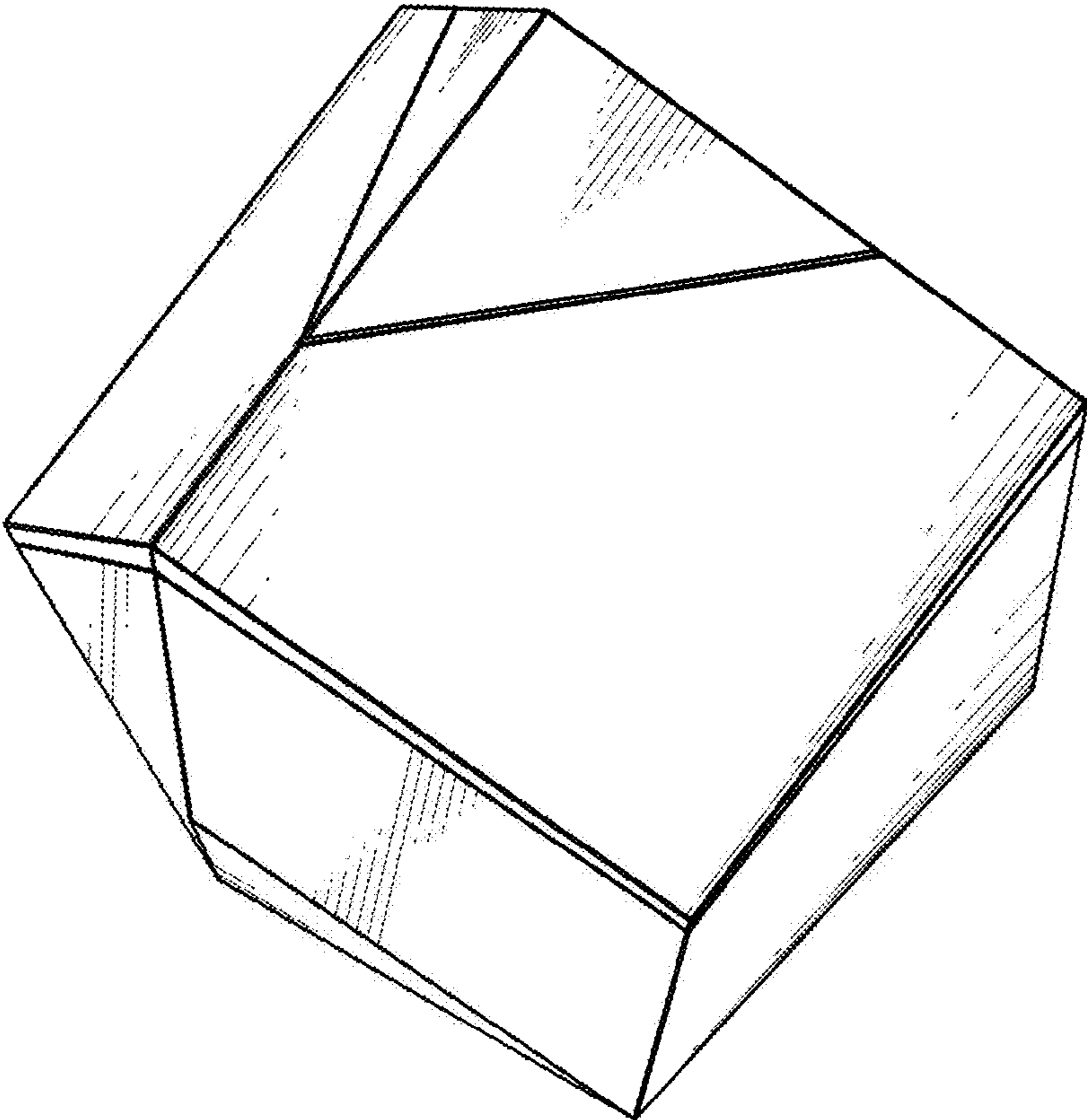


FIG. 1

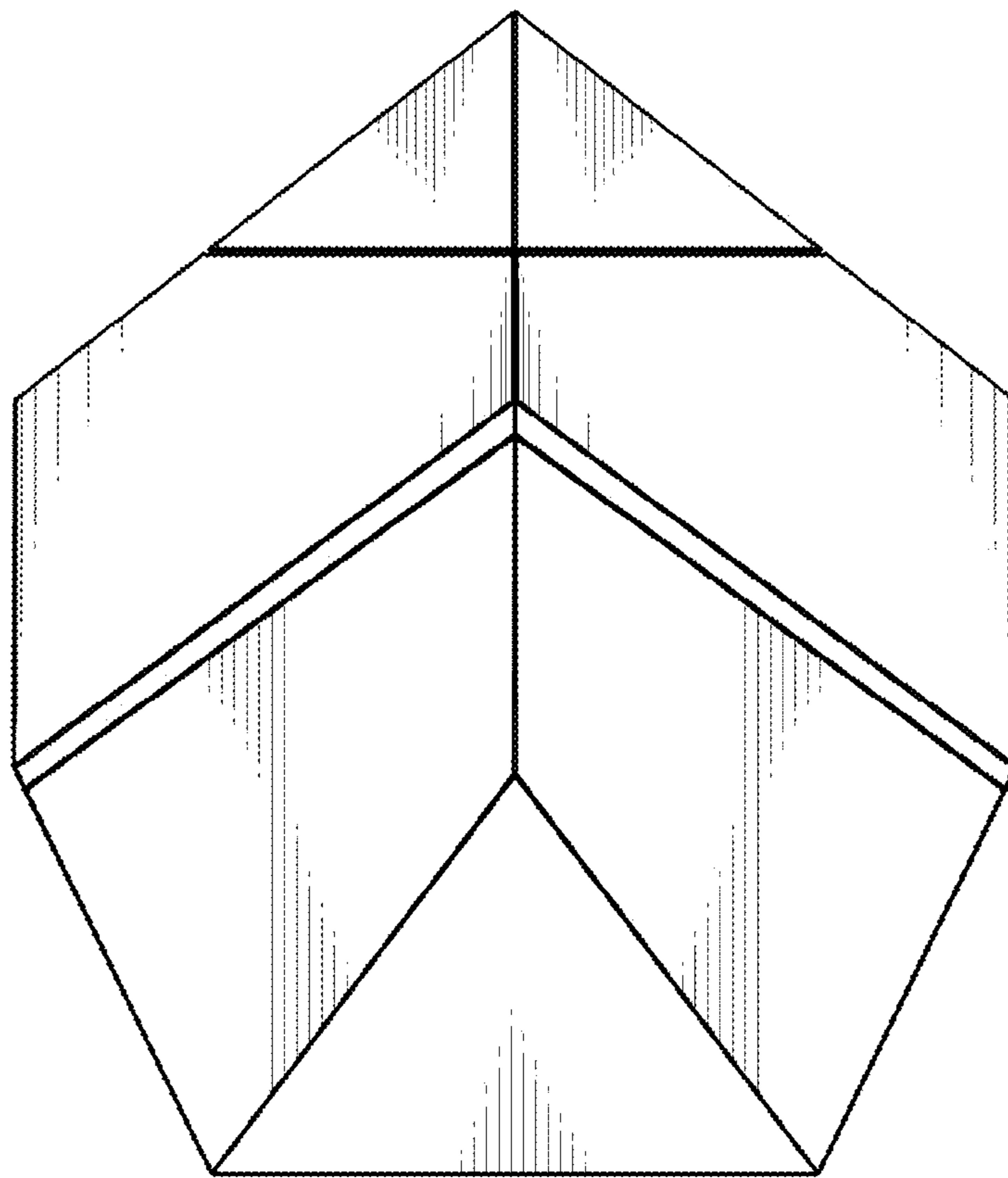


FIG. 2

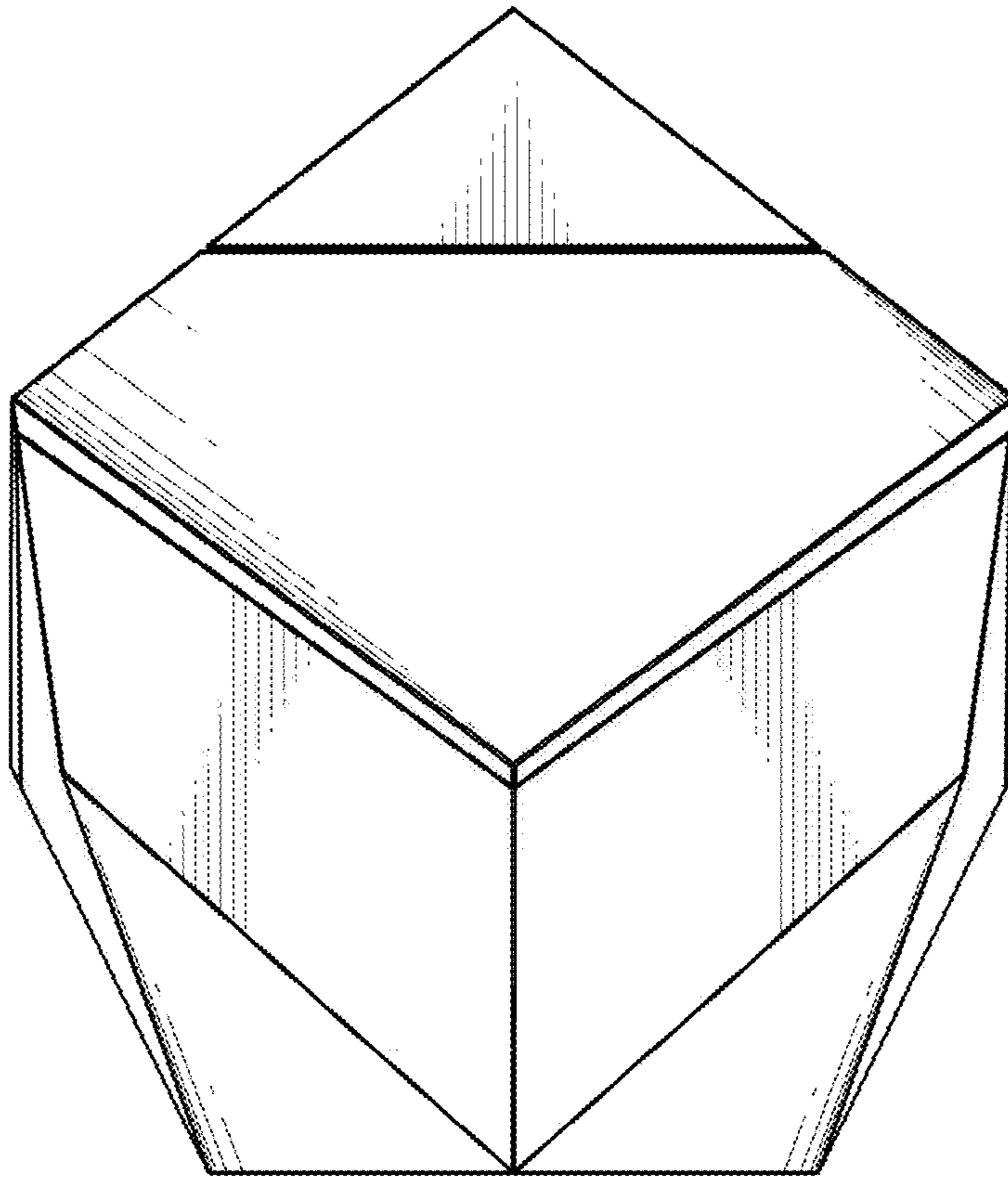


FIG. 3

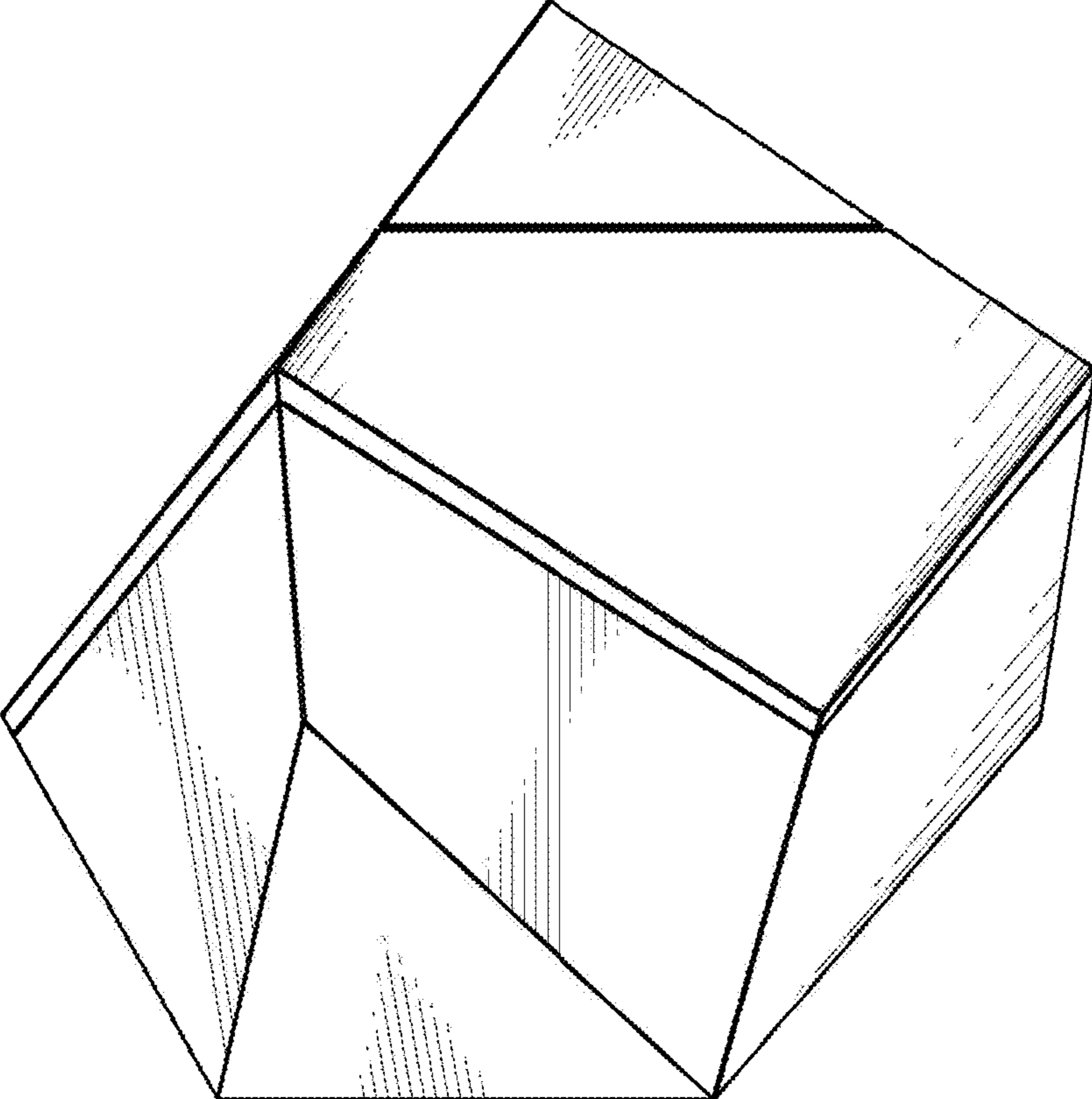


FIG. 4

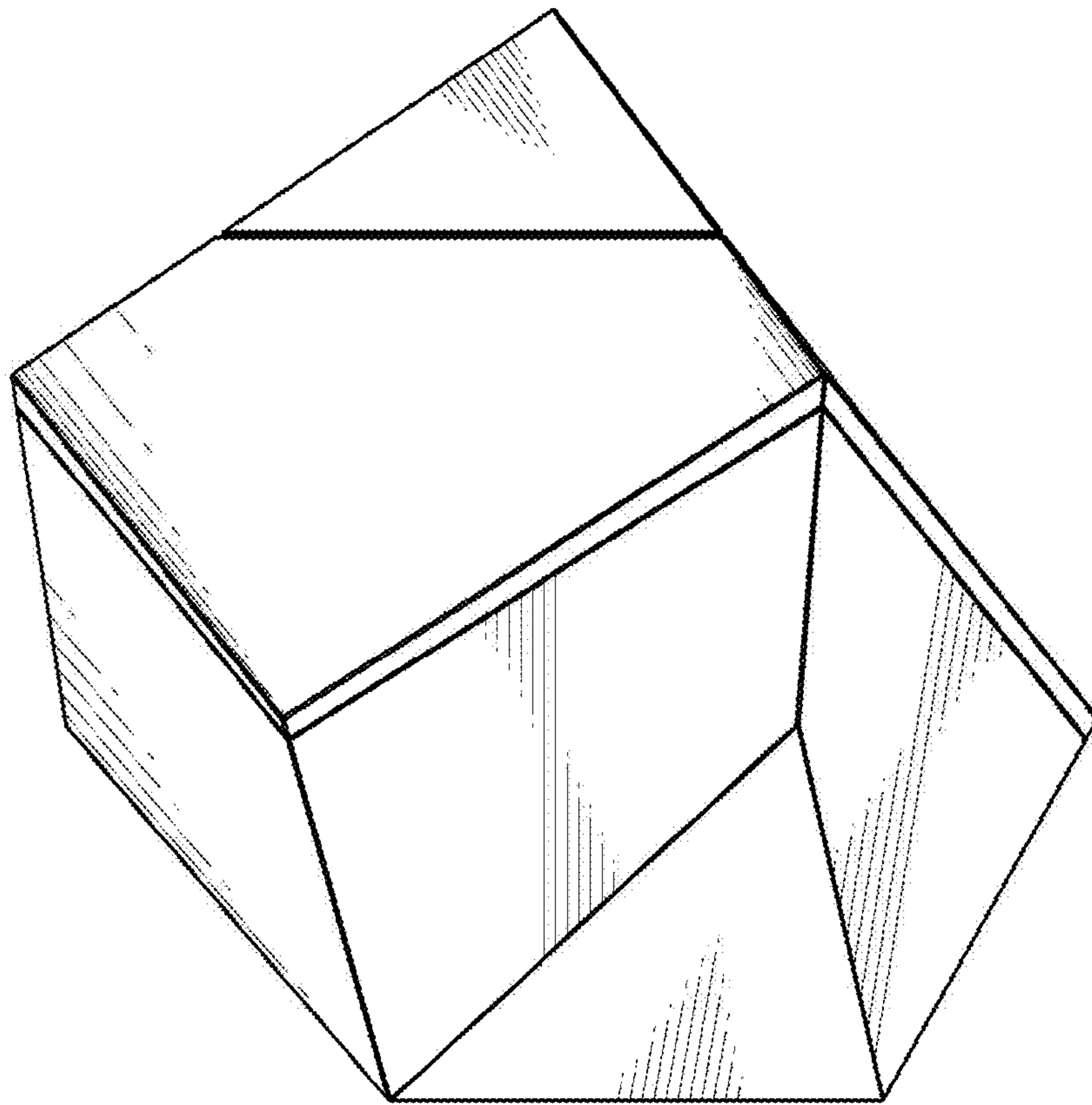


FIG. 5

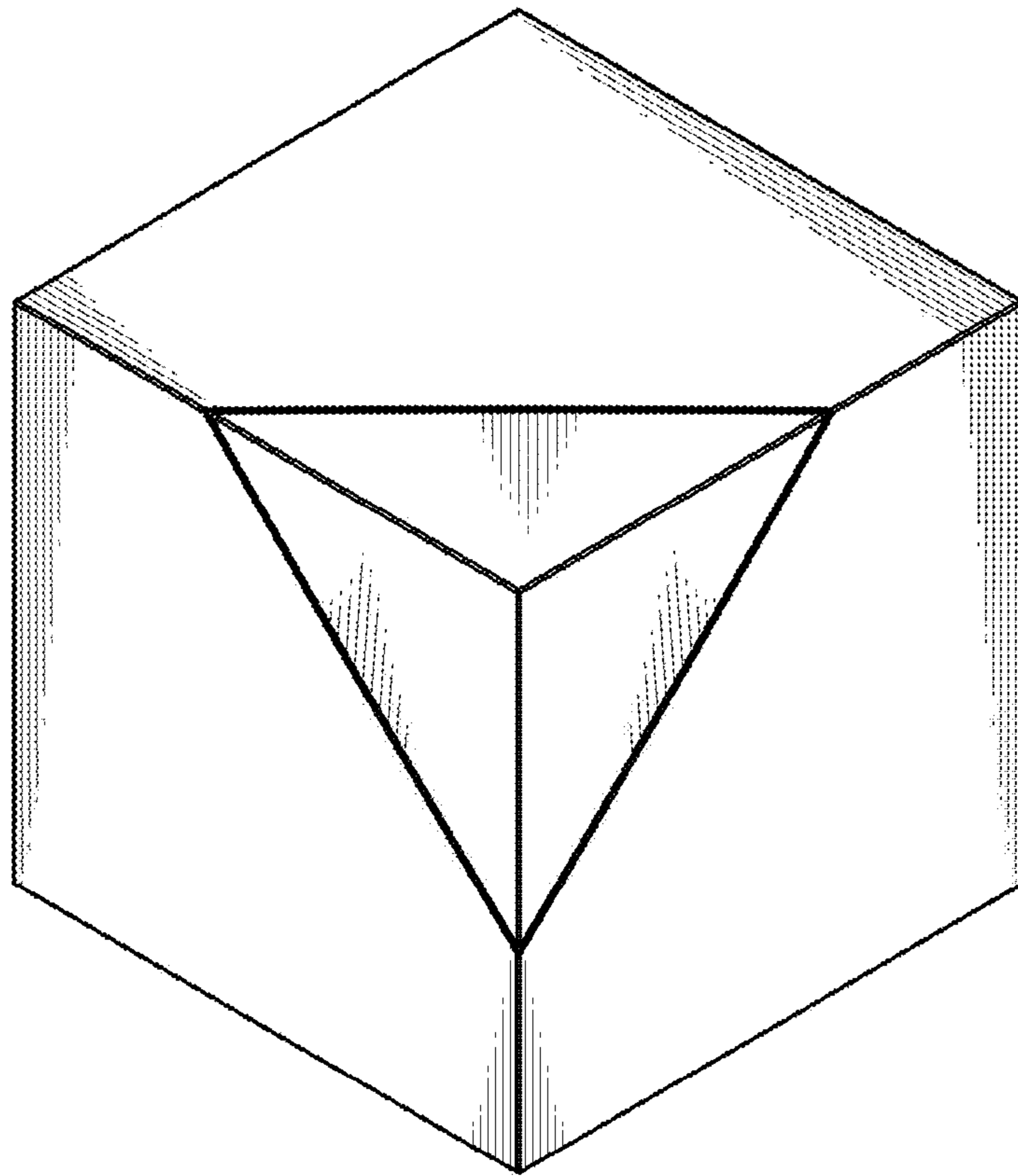


FIG. 6



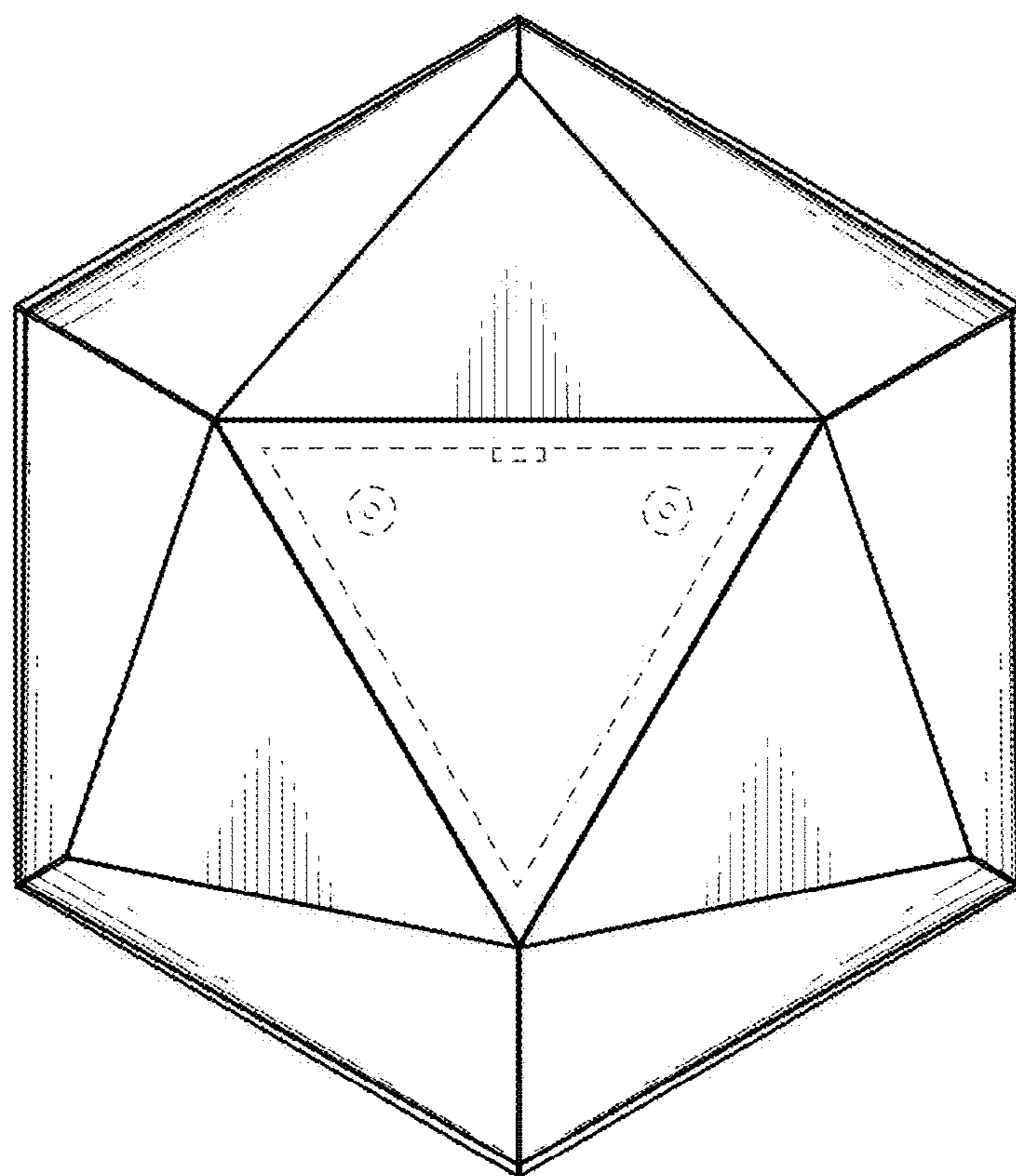


FIG. 7