

US00D868413S

(12) **United States Design Patent**  
**Stannow**

(10) **Patent No.:** **US D868,413 S**

(45) **Date of Patent:** **\*\* Nov. 26, 2019**

(54) **LIFTING DEVICE**  
(71) Applicant: **Pronomic AB**, Sollentuna (SE)  
(72) Inventor: **Joakim Stannow**, Lidingö (SE)  
(73) Assignee: **PRONOMIC AB**, Sollentuna (SE)  
(\*\*) Term: **15 Years**  
(21) Appl. No.: **29/628,329**  
(22) Filed: **Dec. 4, 2017**

4,669,703 A \* 6/1987 Hawkins ..... B66C 23/48  
254/8 B  
D306,368 S \* 2/1990 Daugherty ..... D34/28  
5,100,283 A \* 3/1992 Carty ..... B66C 23/48  
254/8 B  
D327,762 S \* 7/1992 Silbersky ..... D34/28  
D327,763 S \* 7/1992 Silbersky ..... D34/28  
D346,680 S \* 5/1994 Lee ..... D34/28  
D348,134 S \* 6/1994 McCause ..... D34/28  
D352,590 S \* 11/1994 Hodges ..... D34/28  
5,441,378 A \* 8/1995 Puls ..... B60P 3/062  
254/8 R  
D367,144 S \* 2/1996 Poskocil ..... D34/28  
D367,747 S \* 3/1996 Poskocil ..... D34/28  
(Continued)

(30) **Foreign Application Priority Data**

Jun. 5, 2017 (EM) ..... 004031896

(51) **LOC (12) Cl.** ..... **12-05**

(52) **U.S. Cl.**  
USPC ..... **D34/28**

(58) **Field of Classification Search**  
USPC ..... 254/11, 12, 15, 120, 134, 2 R, 418, 45,  
254/84, 88, 8 R, 93 H, 93 R; D34/28, 29,  
D34/31, 32, 33, 34, 35, 38; D8/499;  
280/38, 47.17, 43.12, 481  
CPC .... B66F 5/02; B66F 13/00; B66F 3/22; B66F  
3/24; B66F 3/30; B62B 3/0612  
See application file for complete search history.

(56) **References Cited**

**U.S. PATENT DOCUMENTS**

3,059,785 A \* 10/1962 Buckeye ..... B66C 23/48  
254/134  
3,750,254 A \* 8/1973 Krajcik ..... B25B 11/00  
254/93 R  
4,021,017 A \* 5/1977 Adams ..... B66C 23/48  
254/8 B  
4,042,208 A \* 8/1977 Arakaki ..... B62B 1/26  
254/8 B  
D257,246 S \* 10/1980 Hihara ..... D34/33  
4,497,469 A \* 2/1985 Barnhouse ..... B62B 1/06  
254/124

**OTHER PUBLICATIONS**

Pronomic, "Lift and Drive E-Model", Jun. 24, 2019. <https://www.pronomic.se/en/products-2/productcategory/lift-drive/>. Shown on p. 1. (Year: 2019).\*

*Primary Examiner* — Cynthia Ramirez  
*Assistant Examiner* — Michael A Maharajh  
(74) *Attorney, Agent, or Firm* — Nixon & Vanderhye P.C.

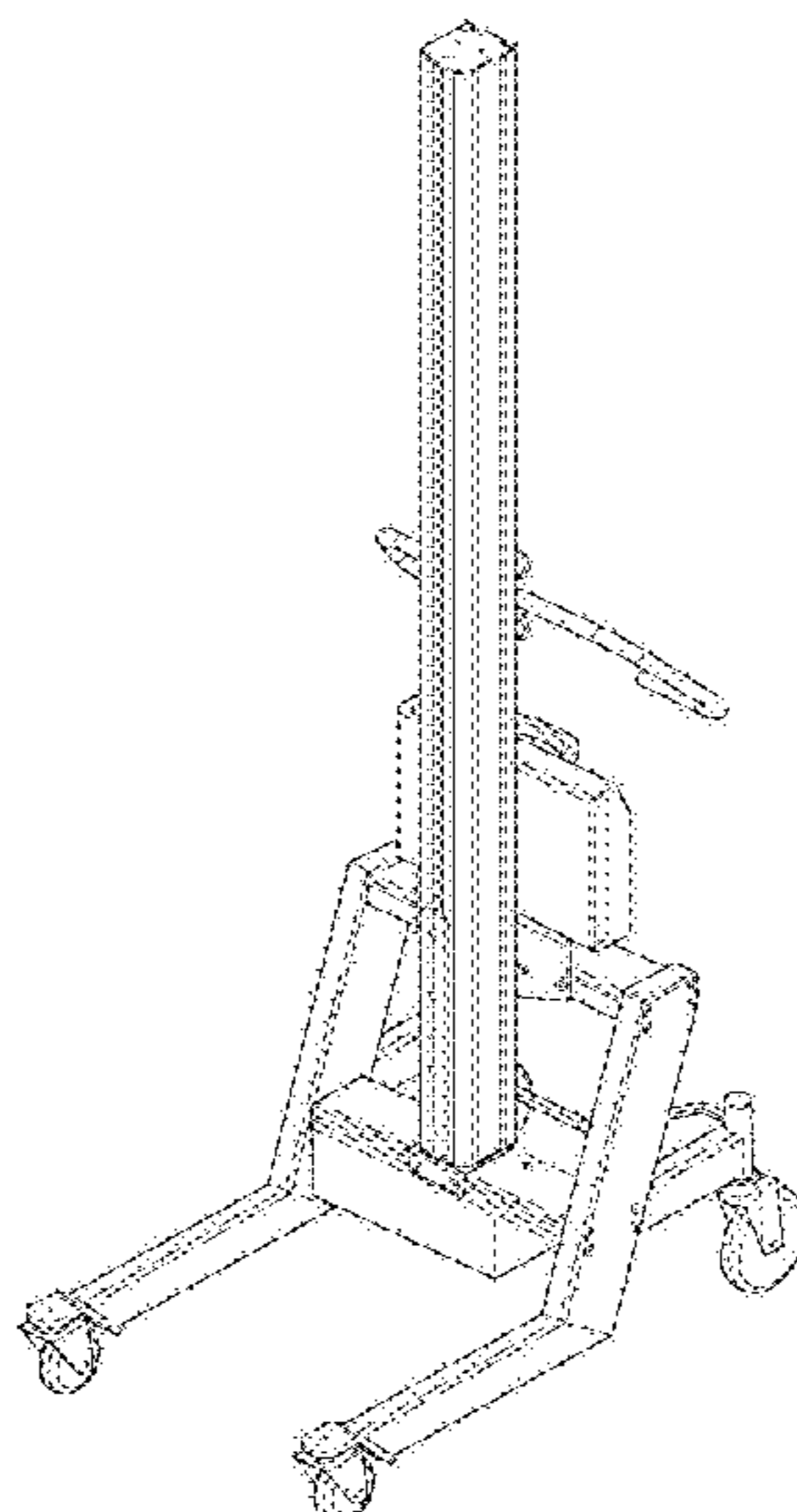
(57) **CLAIM**

The ornamental design for a lifting device, as shown and described.

**DESCRIPTION**

FIG. 1 is a right perspective view of a lifting device showing my new design;  
FIG. 2 is a left perspective view thereof;  
FIG. 3 is a right side view thereof, the left side being a mirror image;  
FIG. 4 is a front view thereof;  
FIG. 5 is a rear view thereof;  
FIG. 6 is a top perspective view thereof; and,  
FIG. 7 is a bottom perspective view thereof.

**1 Claim, 7 Drawing Sheets**



(56)

References Cited

U.S. PATENT DOCUMENTS

5,632,475	A *	5/1997	McCanse	.....	B25H 1/0007				
						254/134			
D407,999	S *	4/1999	Greaves	.....	D12/128				
5,911,408	A *	6/1999	Berends	.....	B66F 7/04				
						254/93 R			
D420,482	S *	2/2000	Hultqvist	.....	D34/28				
D451,658	S *	12/2001	Czemerer	.....	D34/28				
D454,998	S *	3/2002	Czemerer	.....	D34/28				
6,390,450	B1 *	5/2002	Bressner	.....	B66F 9/06				
						254/17			
6,435,309	B1 *	8/2002	Hultqvist	.....	B66F 7/025				
						187/222			
6,601,825	B2 *	8/2003	Bressner	.....	B66F 9/06				
						254/2 R			
6,612,548	B2 *	9/2003	Landreth	.....	B66C 23/48				
						254/8 B			
6,857,144	B1 *	2/2005	Huang	.....	A61G 7/1017				
						5/81.1 R			
D527,509	S *	8/2006	Johns	.....	D34/31				
7,428,759	B2 *	9/2008	Bain	.....	A61G 7/1017				
						254/8 R			
D602,670	S *	10/2009	Laursen	.....	D34/28				
7,611,126	B2 *	11/2009	Vesa	.....	B66F 9/18				
						254/2 R			
D613,022	S *	3/2010	Laursen	.....	D34/23				
D617,520	S *	6/2010	Jansson	.....	D34/23				
D632,450	S *	2/2011	Agoncillo	.....	D34/28				
D644,811	S *	9/2011	Clark	.....	D34/33				
8,201,809	B2 *	6/2012	Bolton	.....	B66C 23/48				
						254/2 R			
8,282,077	B1 *	10/2012	Bonney	.....	A01G 23/02				
						254/132			
8,313,086	B2 *	11/2012	Gray	.....	B66F 3/24				
						254/134			
8,474,794	B2 *	7/2013	Liljedahl	.....	A61G 7/1017				
						254/120			
D702,911	S *	4/2014	Roshell	.....	D34/28				
9,033,313	B2 *	5/2015	Katz	.....	B62B 3/0606				
						254/2 R			
D752,838	S *	3/2016	Ziaylek	.....	D34/28				
D839,792	S *	2/2019	Huang	.....	D12/128				
D839,793	S *	2/2019	Lee	.....	D34/28				
10,322,046	B2 *	6/2019	Liljedahl	.....	A61G 7/1017				
2005/0254923	A1 *	11/2005	Gorski	.....	B62B 3/104				
						414/426			
2007/0292247	A1 *	12/2007	Wilson	.....	B62B 3/04				
						414/331.06			
2007/0292249	A1 *	12/2007	Wilson	.....	B62B 3/04				
						414/444			

\* cited by examiner

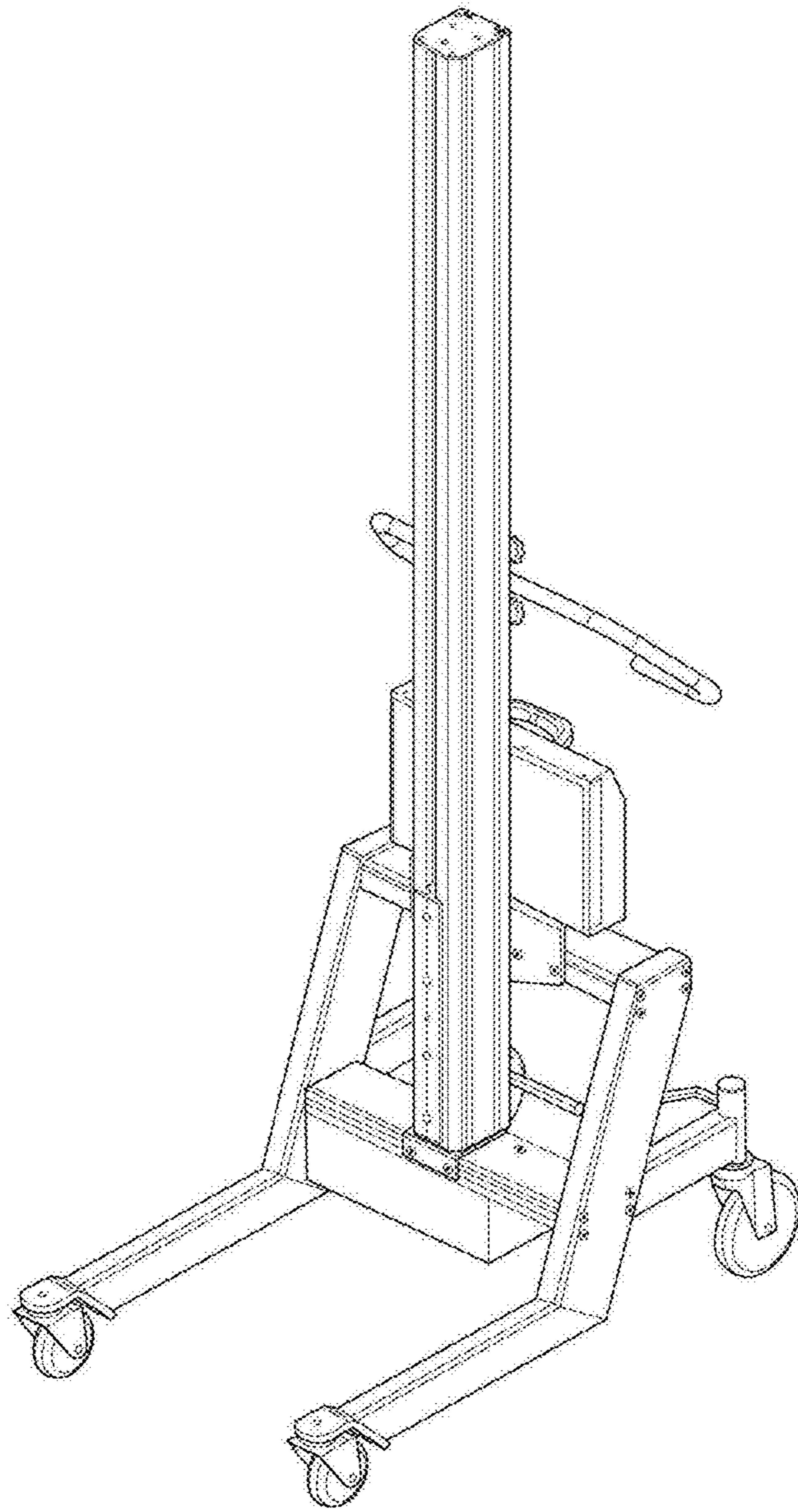


FIG. 1

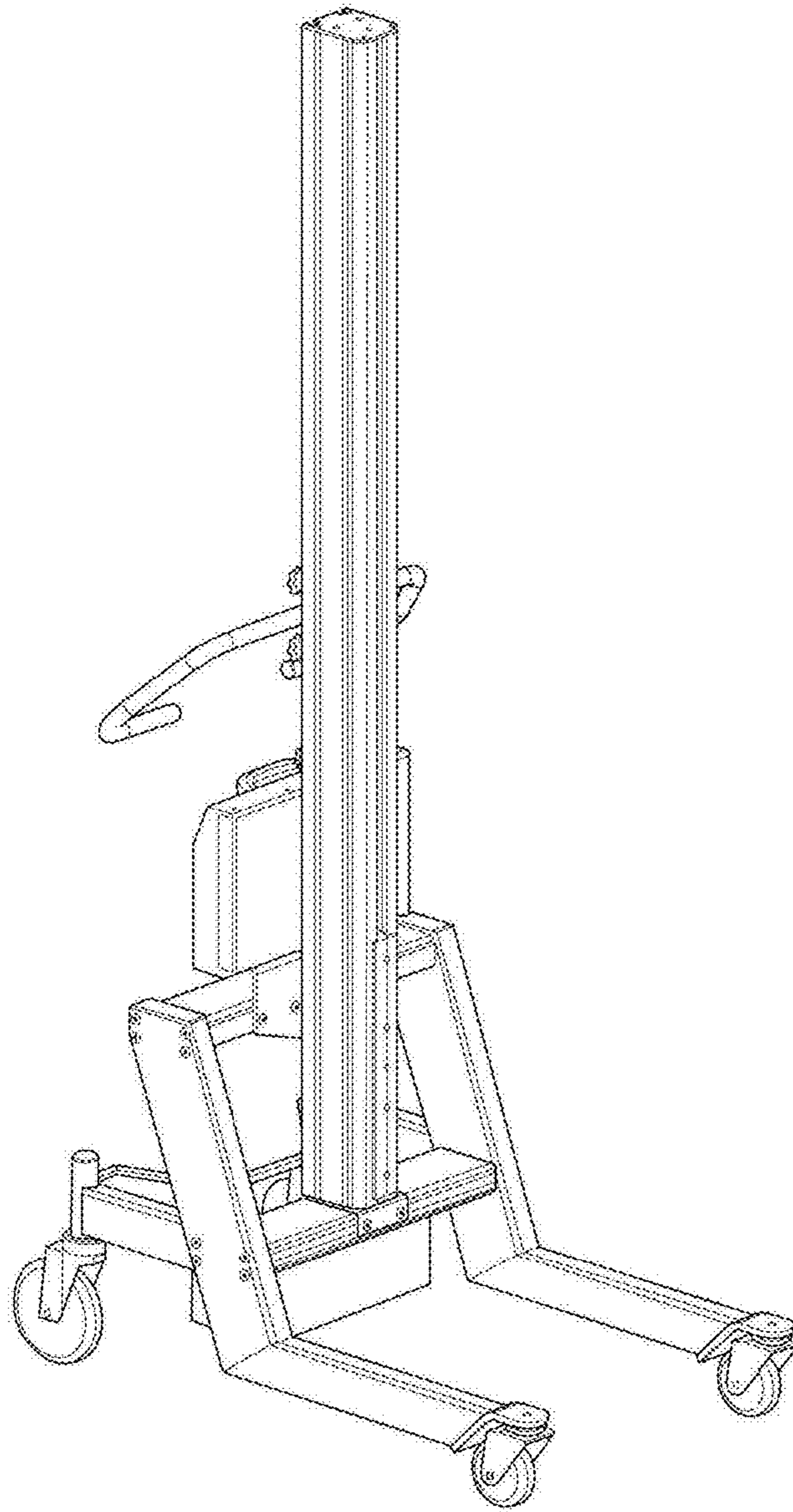


FIG. 2

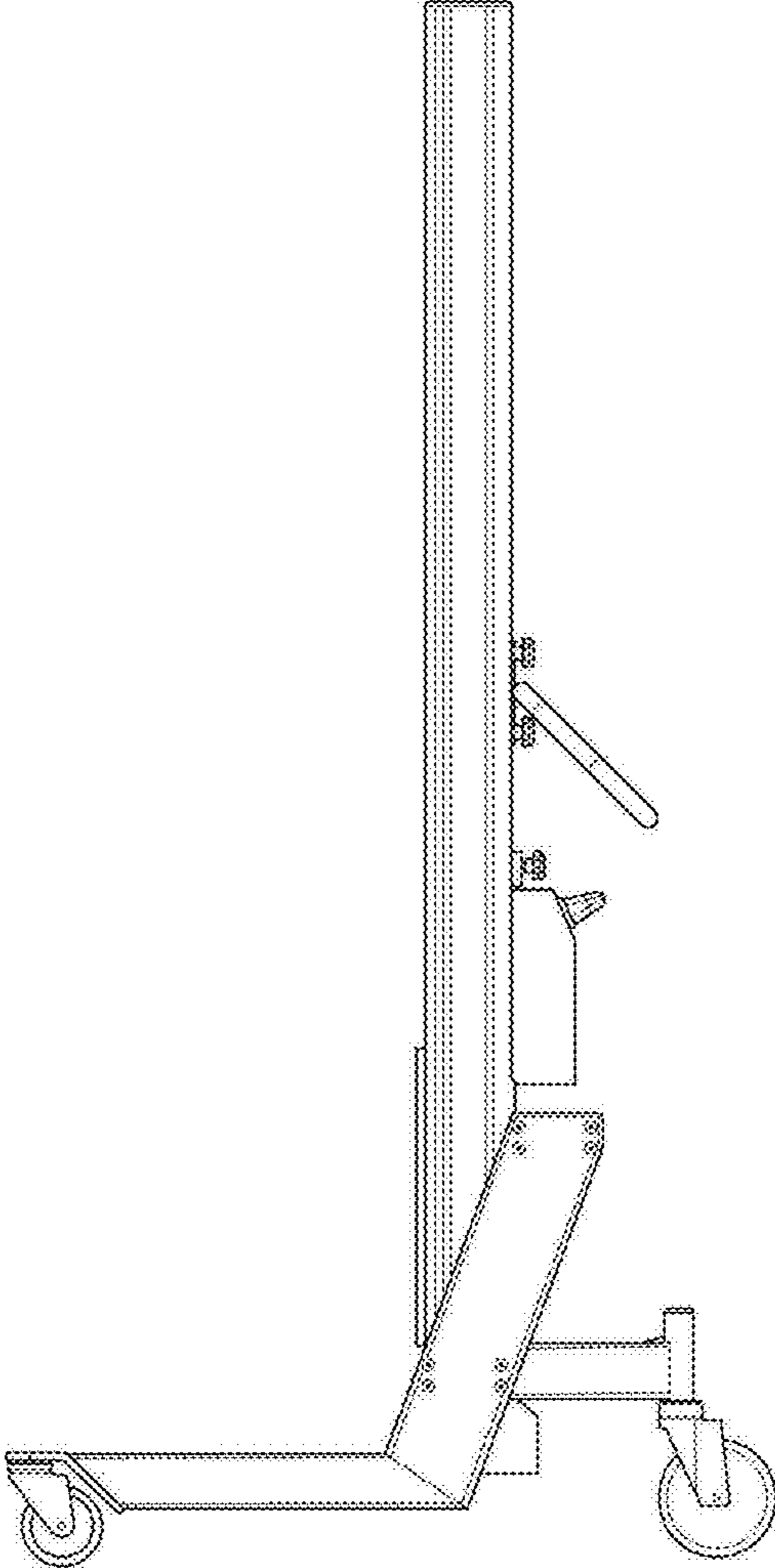


FIG. 3

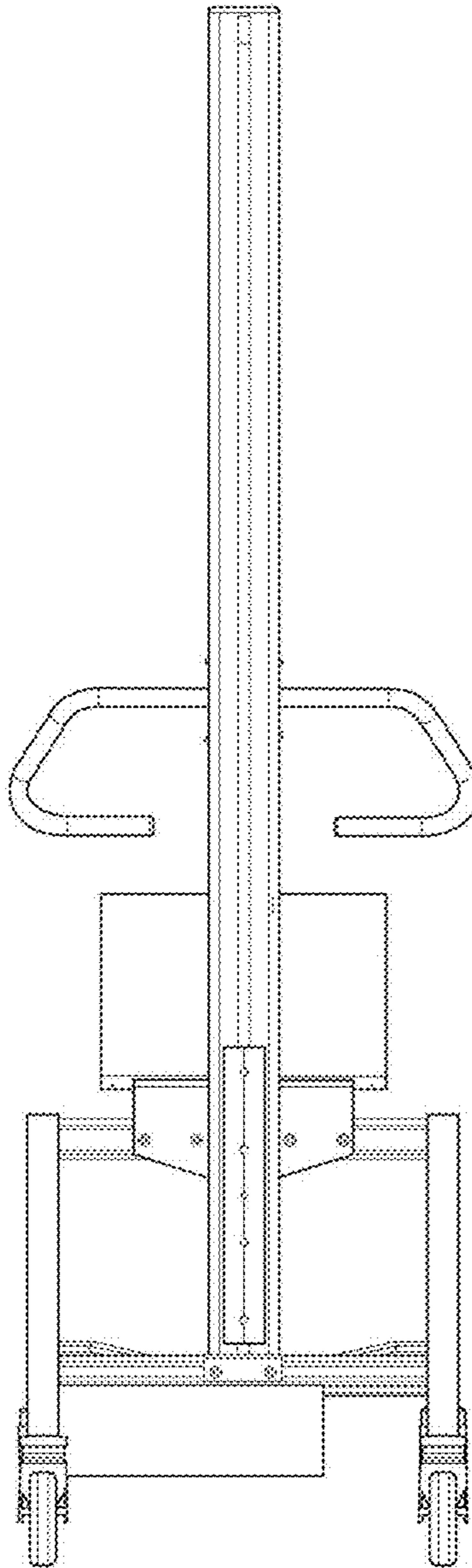


FIG. 4

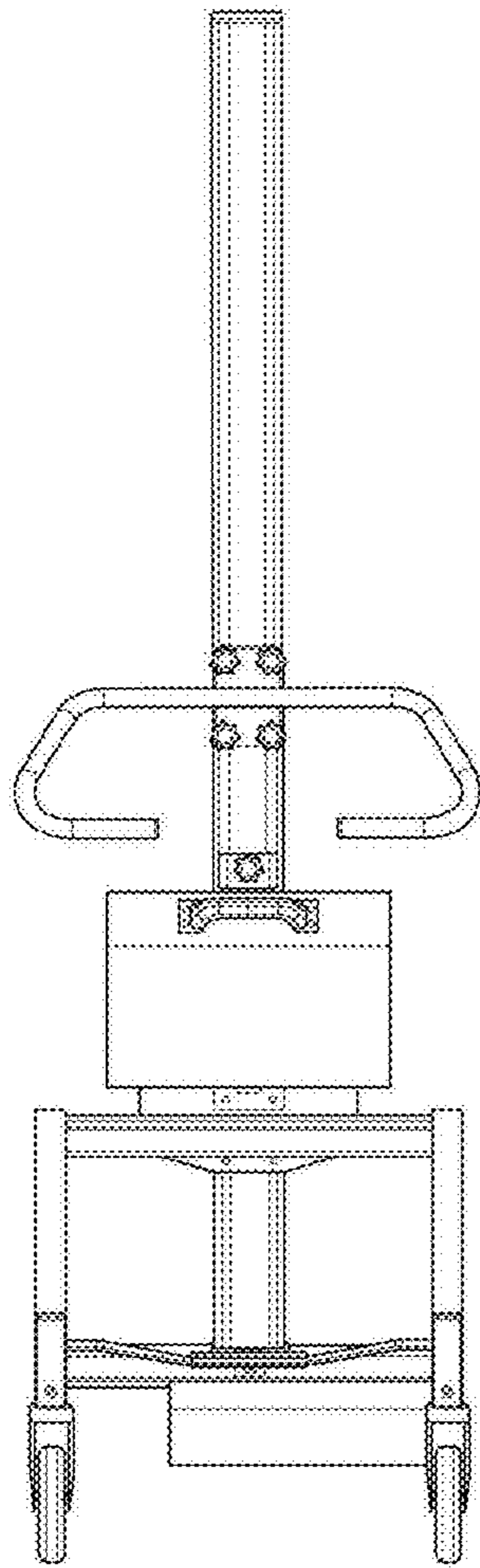


FIG. 5

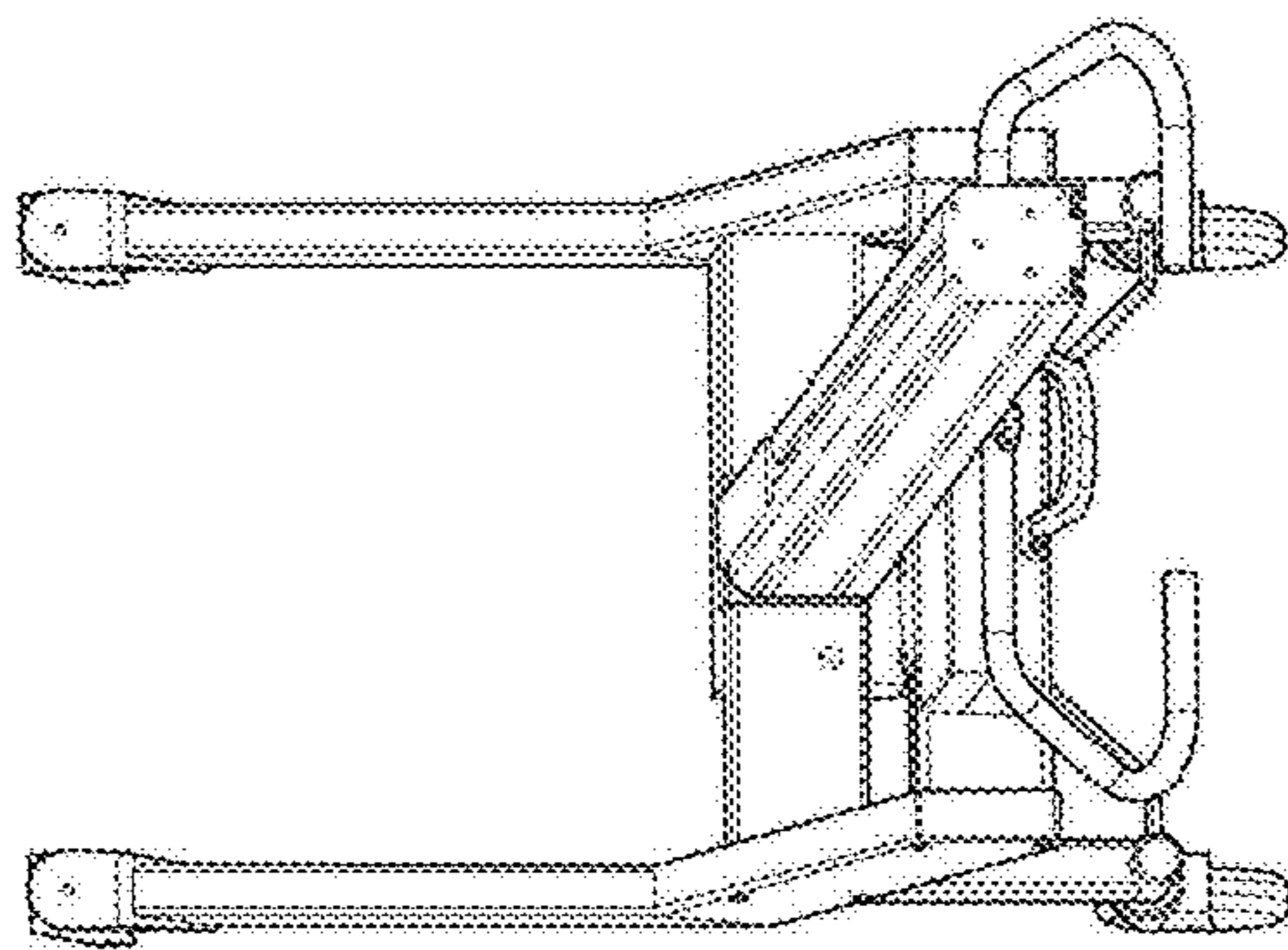


FIG. 6



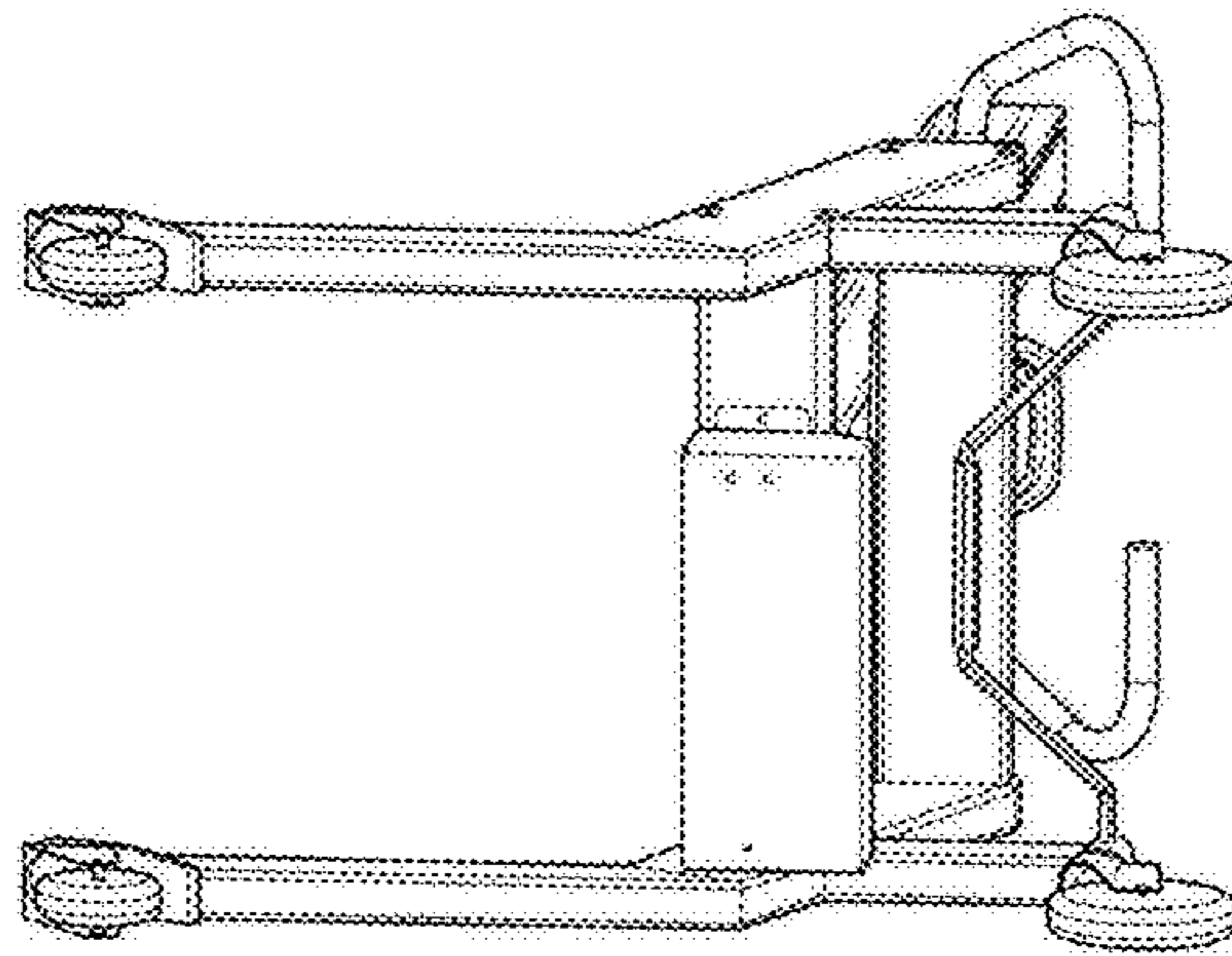


FIG. 7