



US00D868411S

(12) **United States Design Patent** (10) **Patent No.:** **US D868,411 S**
Kowalski (45) **Date of Patent:** **** Nov. 26, 2019**

(54) **FOLDING CART ACCESSORY FOR WATERCRAFT**

(71) Applicant: **Suspenz, Inc.**, Roswell, GA (US)

(72) Inventor: **Ian Kowalski**, Roswell, GA (US)

(73) Assignee: **Suspenz, Inc.**, Atlanta, GA (US)

(**) Term: **15 Years**

(21) Appl. No.: **29/701,120**

(22) Filed: **Aug. 8, 2019**

Related U.S. Application Data

(63) Continuation of application No. 16/103,996, filed on Aug. 16, 2018.

(51) **LOC (12) Cl.** **12-02**

(52) **U.S. Cl.**
USPC **D34/24**

(58) **Field of Classification Search**
USPC D34/12, 24, 23, 27
CPC B62B 5/0083; B62B 2205/10; B62B 2202/403; B62B 2205/06; B62B 5/067
See application file for complete search history.

(56) **References Cited**

U.S. PATENT DOCUMENTS

D149,411 S *	4/1948	Harley	D34/23
2,464,525 A	3/1949	Nurney		
2,551,040 A	5/1951	Newell		
3,337,171 A	8/1967	Canning		
D231,970 S *	7/1974	Handley	D32/31
4,214,774 A	7/1980	Kluge		
D265,392 S	7/1982	Baney		
4,392,665 A	7/1983	Miller		
4,440,409 A	4/1984	Margison		
4,712,803 A *	12/1987	Garcia	B63B 35/7946 114/344

D295,101 S	4/1988	Tuggle		
D298,075 S	10/1988	Tuggle		
4,822,065 A	4/1989	Enders		
D302,065 S	7/1989	Weale		
4,850,605 A	7/1989	Ray		
5,000,468 A	3/1991	Weinstein		
5,072,959 A	12/1991	Marullo		
D328,511 S	8/1992	Bureau		
5,181,731 A	1/1993	Gustavsen		
5,222,750 A *	6/1993	Ellis	A01D 34/001 172/15
5,265,892 A	11/1993	Said		
D358,919 S	5/1995	Carmen		

(Continued)

FOREIGN PATENT DOCUMENTS

DE	10138907	A1	2/2003
DE	202013000415	U1	3/2013

Primary Examiner — Cynthia Ramirez

(74) *Attorney, Agent, or Firm* — Lee & Hayes, P.C.

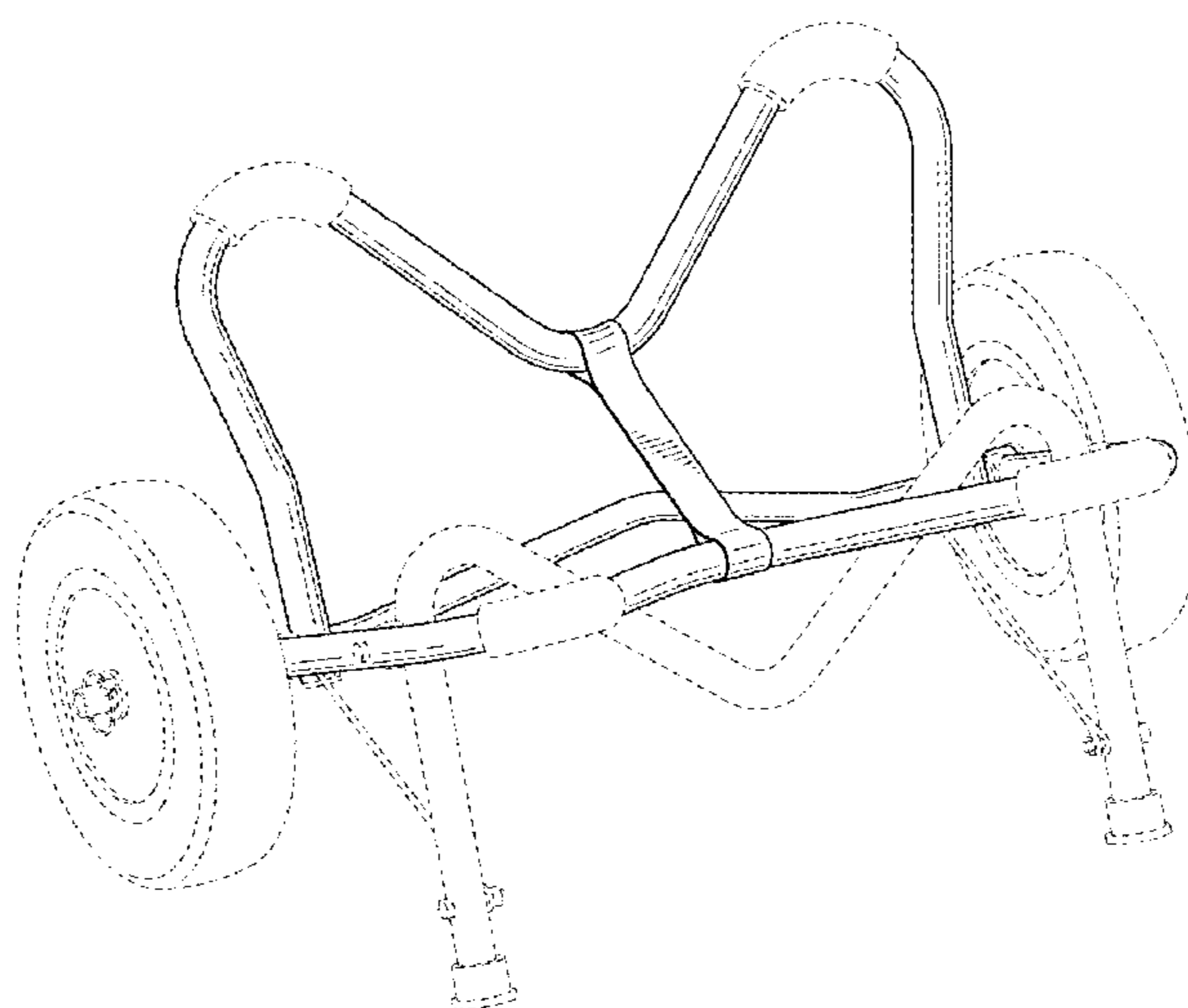
(57) **CLAIM**

The ornamental design for a folding cart accessory for watercraft, substantially as shown and described.

DESCRIPTION

FIG. 1 is a front, perspective view of the folding cart accessory for watercraft;
FIG. 2 is a rear, perspective view thereof;
FIG. 3 is a left side elevation view thereof, the right side elevation view being a mirror image thereof;
FIG. 4 is a front elevation view thereof;
FIG. 5 is a rear elevation view thereof;
FIG. 6 is a top plan view thereof; and,
FIG. 7 is a bottom plan view thereof.
The broken lines in the drawings are for the purpose of illustrating portions of the folding cart accessory for watercraft, which are not part of the claimed design.

1 Claim, 4 Drawing Sheets



(56)

References Cited

U.S. PATENT DOCUMENTS

D359,899 S * 7/1995 Sauber B62B 5/0083
D34/24

D370,194 S 5/1996 Baechler et al.

D373,878 S 9/1996 Van Der Storm

5,915,722 A 6/1999 Thrasher et al.

D427,407 S * 6/2000 Witt D12/317

6,142,492 A 11/2000 DeLucia

6,189,900 B1 2/2001 MacDonald

D449,415 S 10/2001 Durieux

6,416,066 B1 7/2002 Ciulis

D476,129 S 6/2003 Witt

6,926,292 B1 8/2005 Weeks

7,243,928 B2 7/2007 Singer

7,641,205 B2 1/2010 Privette

8,091,903 B2 1/2012 Barrott

8,141,888 B1 3/2012 Levasa et al.

D676,623 S 2/2013 Huntley

D678,642 S 3/2013 Riddiford

8,419,046 B2 4/2013 Limontini

8,500,075 B2 8/2013 Frost et al.

8,596,389 B2 12/2013 Anasiewicz

8,690,167 B1 4/2014 Huntley et al.

D720,912 S * 1/2015 Bruch B63B 35/7946
D34/23

D799,139 S * 10/2017 Lee B62B 5/0083
D34/27

D838,076 S * 1/2019 Sharratt D34/12

2002/0033584 A1 * 3/2002 Kawensky B62B 5/0083
280/79.11

2014/0015211 A1 * 1/2014 Whitefield B62B 1/268
280/79.7

2019/0126966 A1 5/2019 Griffith

* cited by examiner

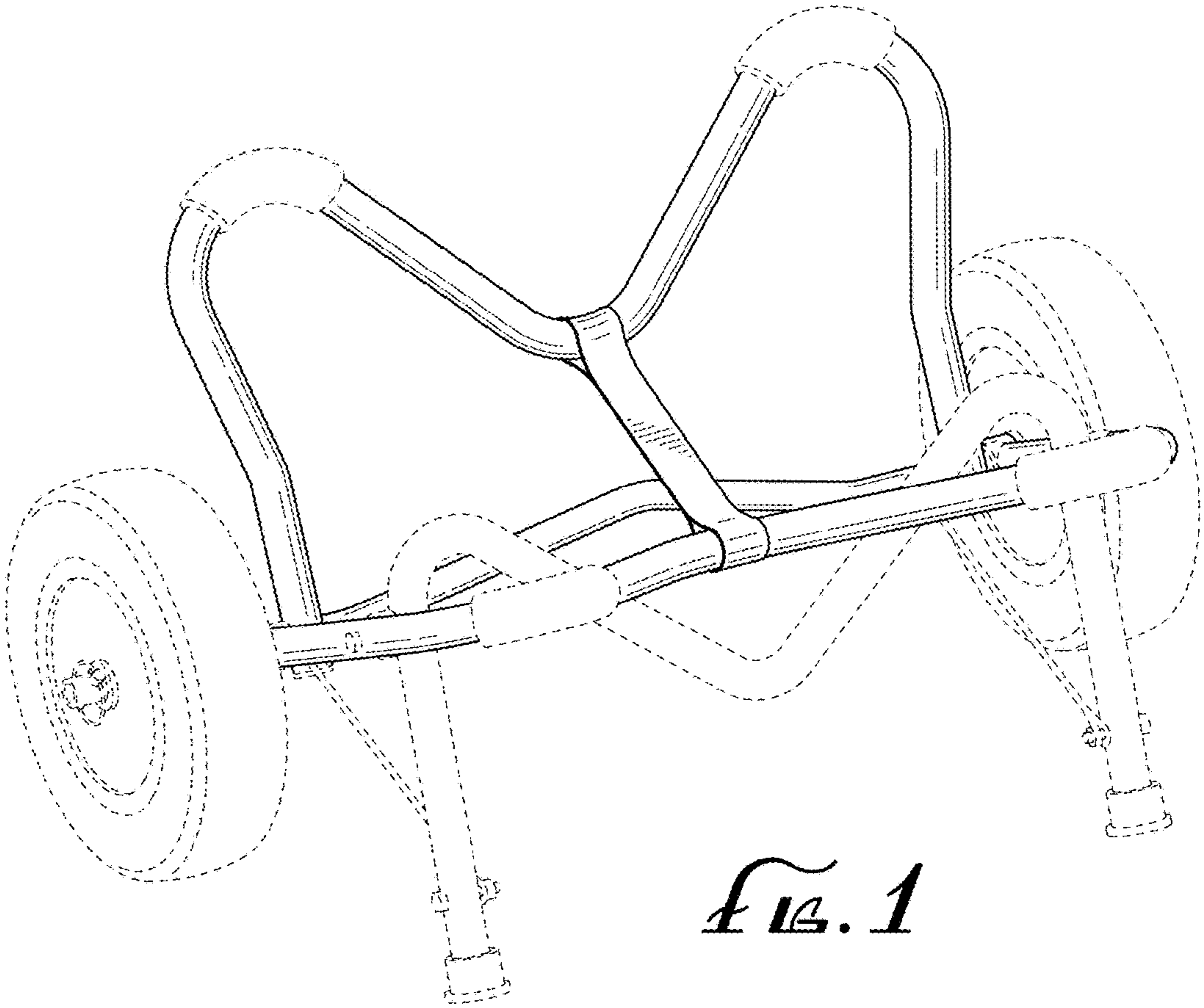


Fig. 1

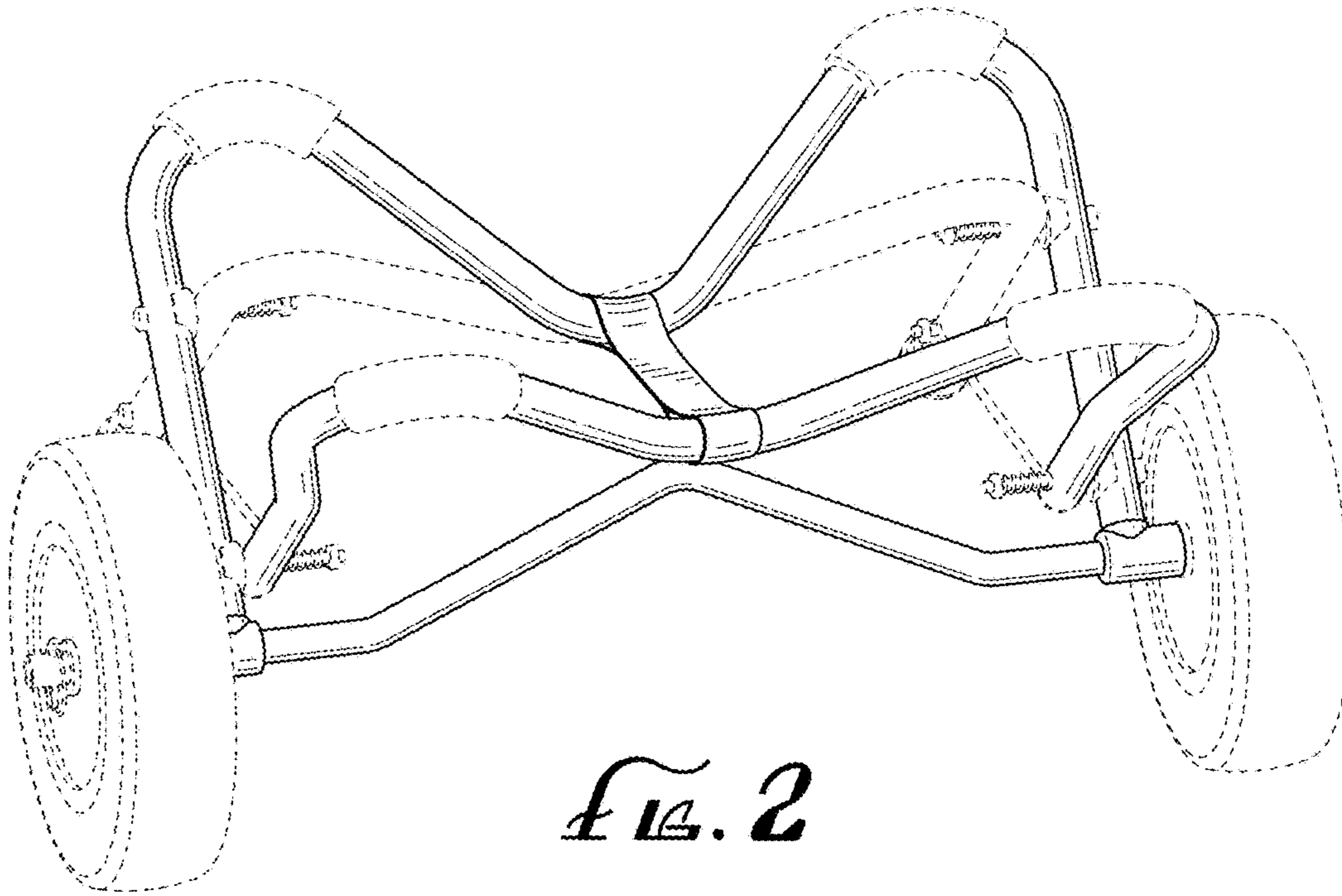


FIG. 2

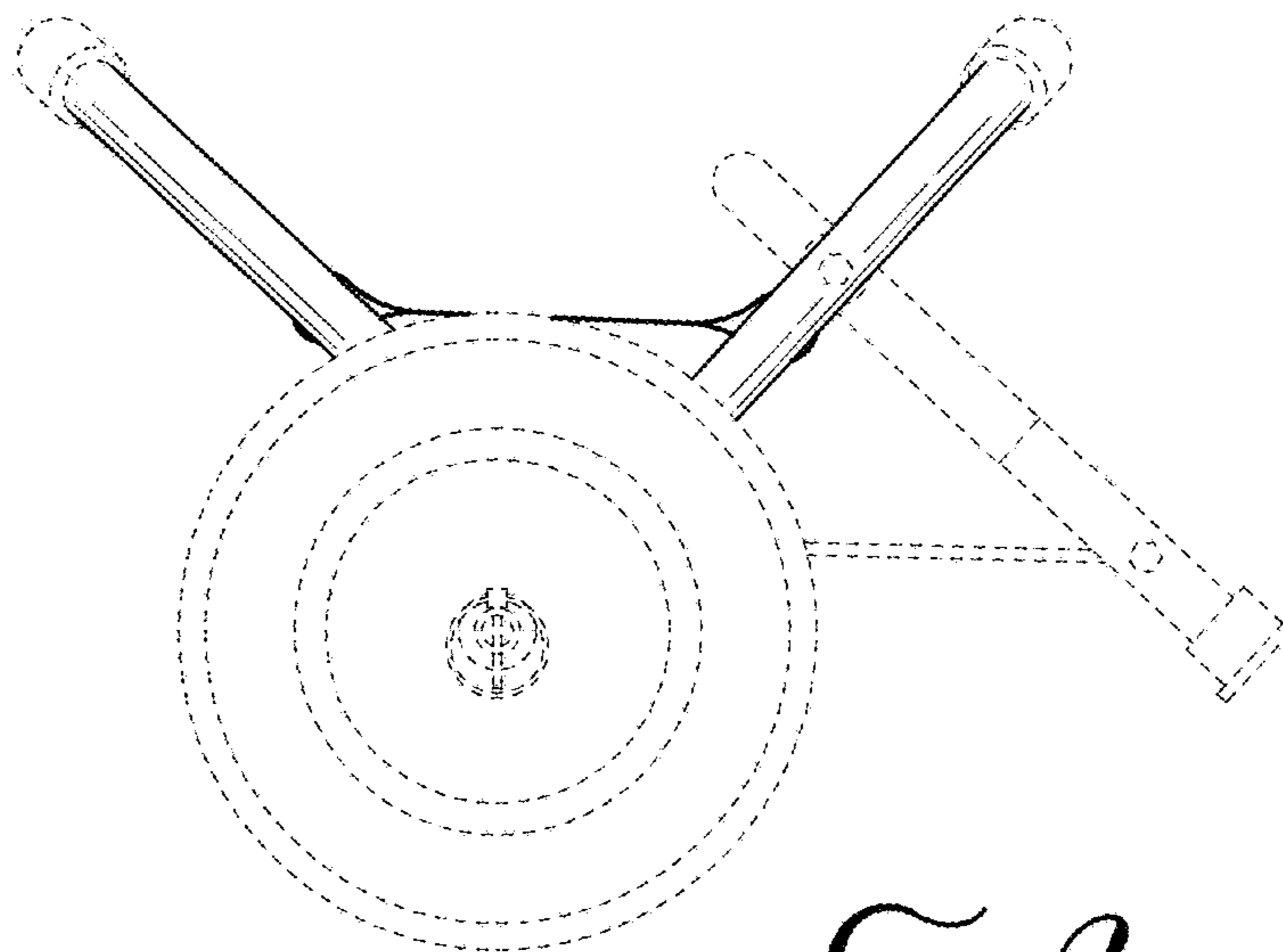


FIG. 3

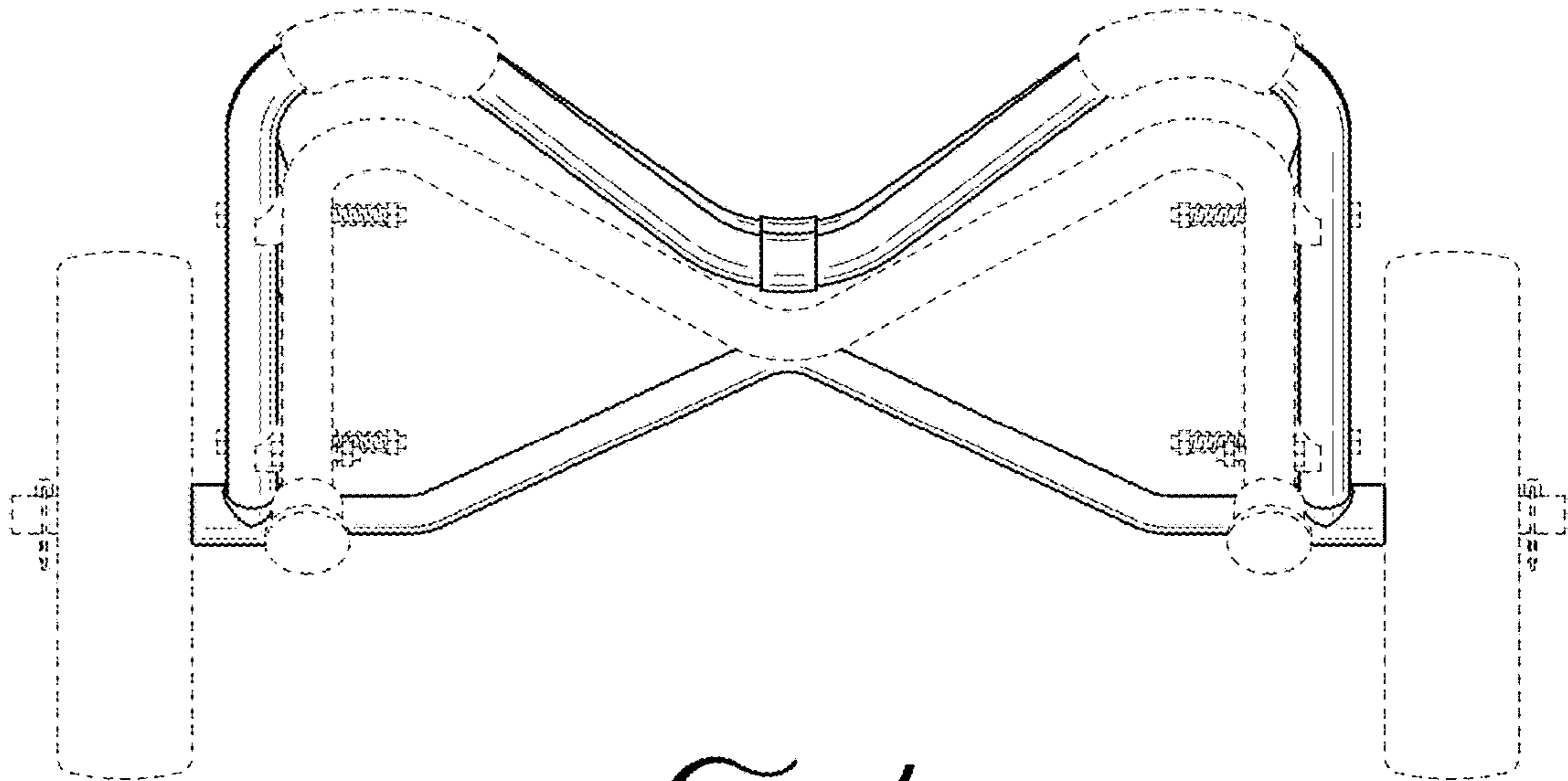


FIG. 4

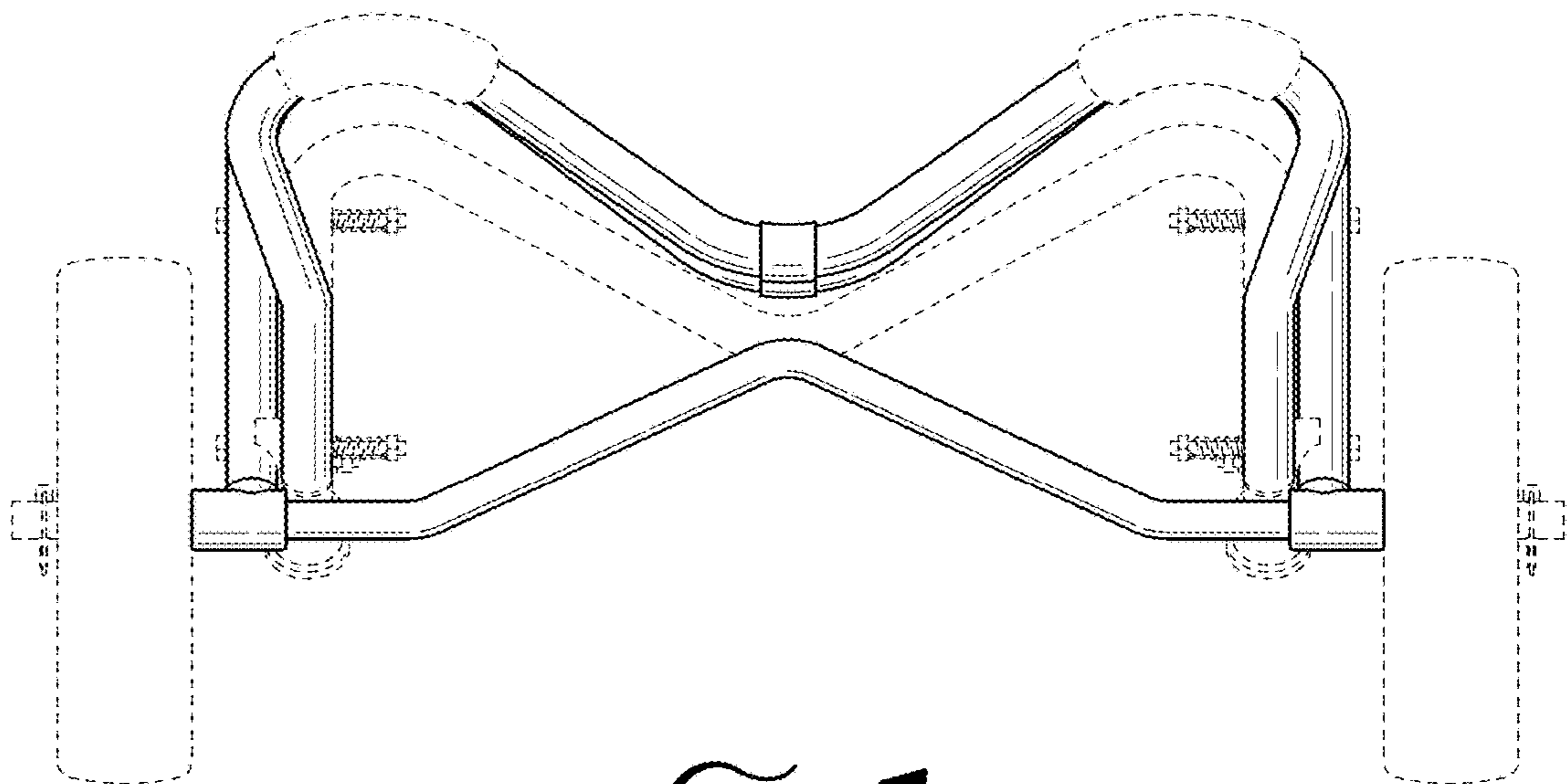


FIG. 5

