



US00D868410S

(12) **United States Design Patent** (10) **Patent No.:** **US D868,410 S**
Schwalbach (45) **Date of Patent:** **** Nov. 26, 2019**

(54) **ROLL OUT CART**
(71) Applicant: **Sierra Container Group LLC**,
Pasadena, CA (US)
(72) Inventor: **Michael Joseph Schwalbach**, La
Canada, CA (US)
(73) Assignee: **Sierra Container Group LLC**,
Pasadena, CA (US)

D478,197 S 8/2003 Raghunathan
D491,328 S 6/2004 Aiken et al.
D532,173 S 11/2006 Aiken et al.
D535,448 S 1/2007 Kilduff et al.
D554,821 S 11/2007 Blanchard et al.
D554,824 S 11/2007 Blanchard et al.
D554,860 S * 11/2007 Udall D3/279
(Continued)

(**) Term: **15 Years**

FOREIGN PATENT DOCUMENTS

CA 2915390 7/2017
CA 2852877 9/2017
(Continued)

(21) Appl. No.: **29/625,087**
(22) Filed: **Nov. 7, 2017**
(51) **LOC (12) Cl.** **09-09**
(52) **U.S. Cl.**
USPC **D34/5**
(58) **Field of Classification Search**
USPC D34/1, 7, 5, 6; D3/279, 273
CPC .. B65F 1/14; B65F 1/1473; B65F 1/16; B65F
1/006; B65F 1/1452; B65F 2220/12;
B62B 1/00; B62B 5/04; B25H 3/00;
B25H 3/02; A45C 5/00; A45C 5/03;
A45C 5/04; A45C 5/08; A45C 2011/007;
A45C 11/00
See application file for complete search history.

Primary Examiner — Cynthia Ramirez
(74) *Attorney, Agent, or Firm* — Knobbe Martens Olson
& Bear, LLP

(57) **CLAIM**

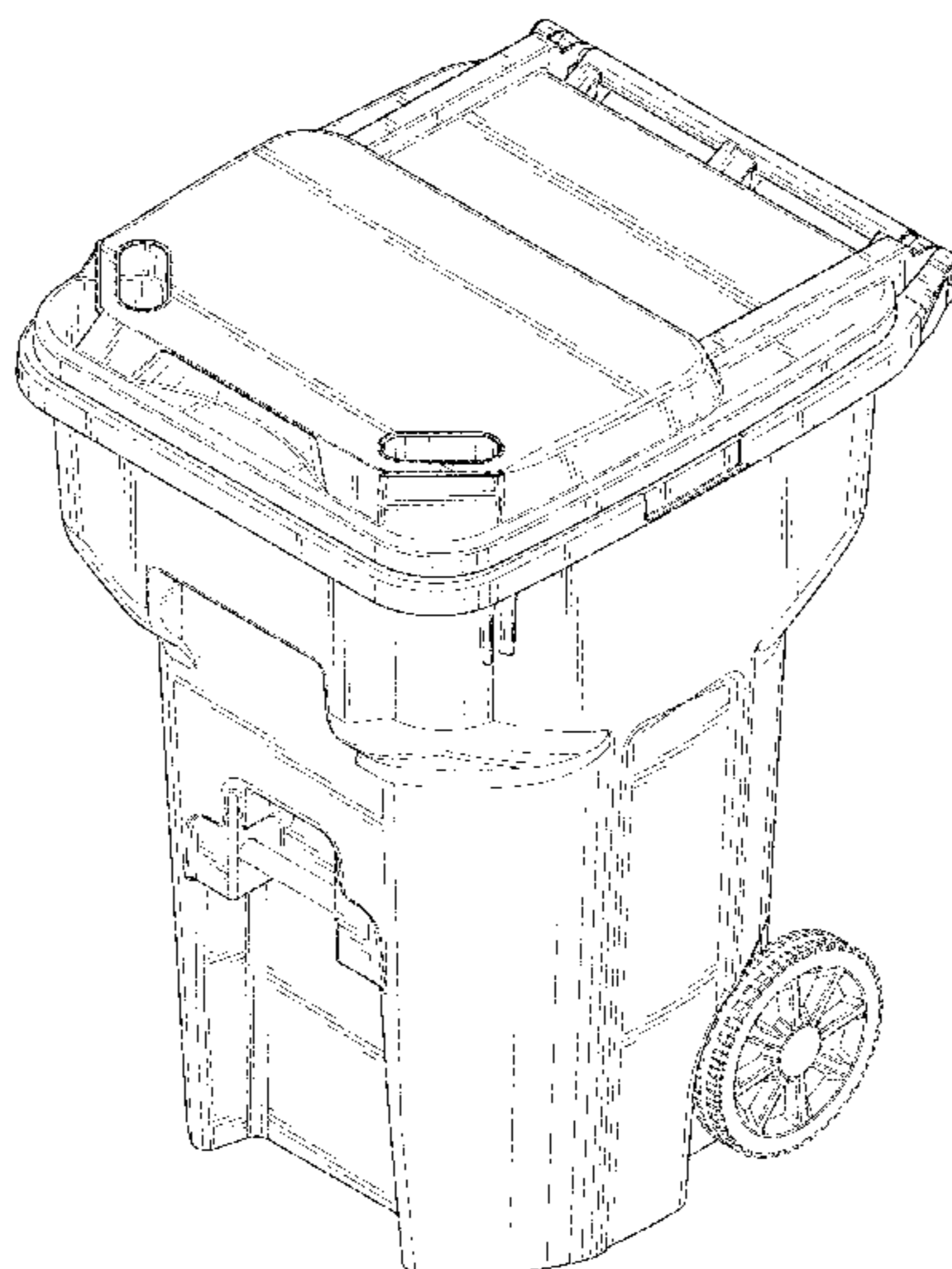
The ornamental design for a roll out cart, as shown and described.

DESCRIPTION

FIG. 1 is a left, front, and top perspective view of an embodiment of a roll out cart showing my new design; FIG. 2 is a right, back, and bottom perspective view of the roll out cart of FIG. 1; FIG. 3 is a top plan view of the roll out cart of FIG. 1; FIG. 4 is a bottom plan view of the roll out cart of FIG. 1; FIG. 5 is a front elevational view of the roll out cart of FIG. 1; FIG. 6 is a back elevational view of the roll out cart of FIG. 1; FIG. 7 is a right elevational view of the roll out cart of FIG. 1; and, FIG. 8 is a left elevational view of the roll out cart of FIG. 1. The broken lines in the figures are included for the purpose of illustrating portions of the roll out cart and forms no part of the claimed design.

(56) **References Cited**
U.S. PATENT DOCUMENTS
D292,638 S * 11/1987 Carville D34/5
D385,720 S * 11/1997 Dickinson D3/279
D388,577 S 12/1997 Rehrig et al.
D398,120 S 9/1998 Rehrig et al.
D410,125 S 5/1999 Rehrig et al.
D429,398 S 8/2000 Wysocki
D445,228 S 7/2001 Apps et al.
D448,535 S 9/2001 Delmerico
D458,724 S 6/2002 Delmerico
D461,635 S * 8/2002 Sharples A45C 5/06
D3/279

1 Claim, 8 Drawing Sheets



(56)

References Cited

U.S. PATENT DOCUMENTS

D562,523 S 2/2008 Blanchard et al.
 D571,070 S 6/2008 Blanchard et al.
 D573,322 S 7/2008 Blanchard et al.
 D577,170 S 9/2008 Meers
 D586,972 S 2/2009 Yang et al.
 D591,859 S 5/2009 Stark et al.
 D594,169 S * 6/2009 Connor A45C 5/06
 D34/5
 D609,911 S * 2/2010 Twig D3/279
 D617,971 S 6/2010 Van Landingham, Jr. et al.
 D624,723 S 9/2010 Raghunathan et al.
 D641,121 S * 7/2011 Rampton D34/1
 D643,174 S 8/2011 Raghunathan et al.
 D643,988 S 8/2011 Arthurson
 D646,037 S 9/2011 Arthurson
 8,141,921 B2 3/2012 Apps et al.
 D657,106 S 4/2012 Talbot et al.
 8,449,008 B2 5/2013 Apps et al.
 8,631,940 B2 1/2014 Hay et al.
 D707,905 S * 6/2014 Nolet B65F 1/1473
 D34/5
 D707,907 S * 6/2014 Nolet B65F 1/1615
 D34/5
 D707,908 S 6/2014 Nolet et al.
 8,770,641 B2 7/2014 Hassell et al.
 8,944,742 B2 2/2015 Hill
 8,997,643 B2 4/2015 Hallman et al.
 D756,052 S 5/2016 Del Rosario et al.
 D756,053 S 5/2016 Nolet
 9,346,616 B2 5/2016 Foster
 9,365,346 B2 6/2016 Mcdade et al.
 D771,893 S 11/2016 Del Rosario et al.
 D782,758 S 3/2017 Bu et al.
 9,611,095 B2 4/2017 Huff
 9,611,096 B2 4/2017 Brokaw
 D789,012 S 6/2017 Labrecque et al.
 9,688,470 B2 6/2017 Kirby
 D793,022 S 7/2017 Liao
 9,718,615 B2 8/2017 Ragunathan et al.
 9,738,444 B1 8/2017 Uffner et al.
 9,738,445 B2 8/2017 Foster
 9,745,129 B2 8/2017 Brokaw
 9,783,362 B2 10/2017 Boyea
 9,821,956 B2 11/2017 Wright
 D815,919 S * 4/2018 DeFrancia D7/605
 9,938,078 B2 4/2018 Yamada
 9,963,276 B1 5/2018 Arthurs et al.
 9,975,694 B1 * 5/2018 Foster B65F 1/1473
 9,975,695 B2 5/2018 Reeb et al.
 D820,544 S 6/2018 Joseph
 10,035,529 B2 7/2018 DePadro
 D826,506 S 8/2018 Labrecque et al.
 D827,967 S 9/2018 Foster

D829,399 S 9/2018 Genois et al.
 10,173,835 B2 1/2019 Lappeman
 10,189,307 B2 1/2019 Morris
 D840,126 S * 2/2019 Miller A45C 5/06
 D34/5
 10,203,237 B2 2/2019 Gwon et al.
 10,208,512 B1 2/2019 Arthurs et al.
 10,221,011 B2 3/2019 Stone
 D844,325 S * 4/2019 Nelson D3/279
 10,266,340 B2 4/2019 Uffner et al.
 2009/0127809 A1 5/2009 Meers
 2010/0230427 A1 * 9/2010 Parker B65F 1/122
 220/756
 2013/0119625 A1 * 5/2013 Foster B62B 1/00
 280/43
 2015/0274416 A1 10/2015 Garcia et al.
 2016/0068339 A1 3/2016 Mcdade et al.
 2016/0159571 A1 6/2016 Arrez
 2017/0183149 A1 6/2017 Aponte et al.
 2017/0190508 A1 7/2017 Mallett et al.
 2017/0190509 A1 7/2017 Reeb et al.
 2017/0197787 A1 7/2017 Reeb
 2017/0210558 A1 7/2017 Boyea
 2017/0305667 A1 10/2017 Nakib
 2017/0313510 A1 11/2017 Peckham
 2017/0320667 A1 11/2017 Stone
 2017/0334642 A1 11/2017 Martin, Jr. et al.
 2017/0341858 A1 11/2017 Cramer et al.
 2017/0341859 A1 11/2017 Boyea
 2017/0341860 A1 11/2017 Dodds et al.
 2017/0341861 A1 11/2017 Uffner et al.
 2017/0349198 A1 12/2017 DePadro
 2018/0093826 A1 4/2018 Boyea
 2018/0105359 A1 4/2018 Chapman
 2018/0118457 A1 5/2018 Seiffert
 2018/0134486 A1 5/2018 Parker
 2018/0170667 A1 6/2018 Marcrander
 2018/0208396 A1 7/2018 Schoonmaker
 2018/0229931 A1 8/2018 Shek
 2018/0257858 A1 9/2018 Apps et al.
 2018/0282058 A1 10/2018 Rana
 2018/0305120 A1 10/2018 Yang et al.
 2018/0319589 A1 * 11/2018 Foster B65F 1/1615
 2018/0339856 A1 11/2018 Reeb et al.
 2018/0362251 A1 12/2018 Randall
 2019/0001029 A1 1/2019 Davie et al.
 2019/0002198 A1 1/2019 Lounsbury
 2019/0070550 A1 3/2019 Lalomia et al.
 2019/0079190 A1 3/2019 Shetty et al.

FOREIGN PATENT DOCUMENTS

CA 2928276 10/2017
 CA 2982790 6/2018

* cited by examiner

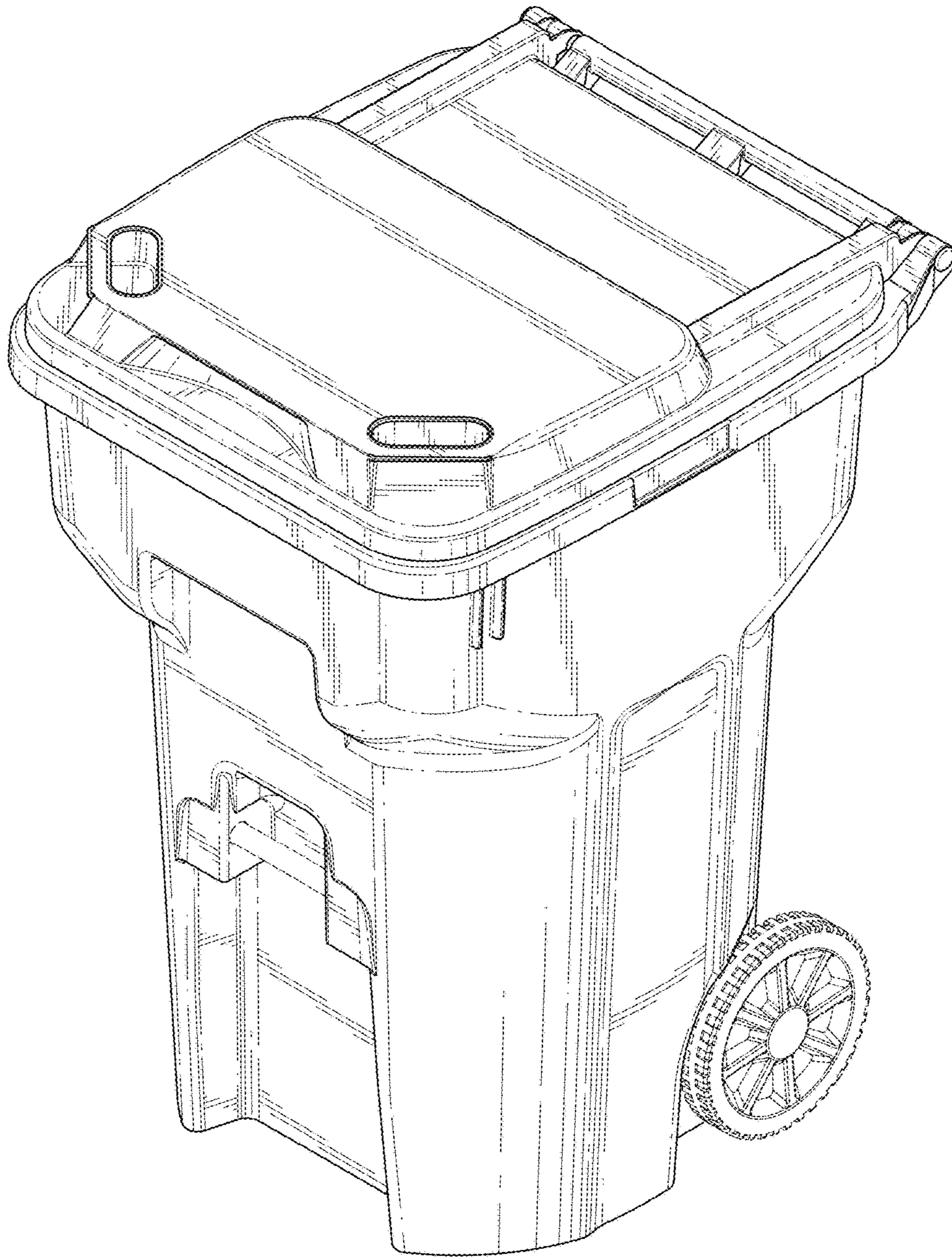


FIG. 1

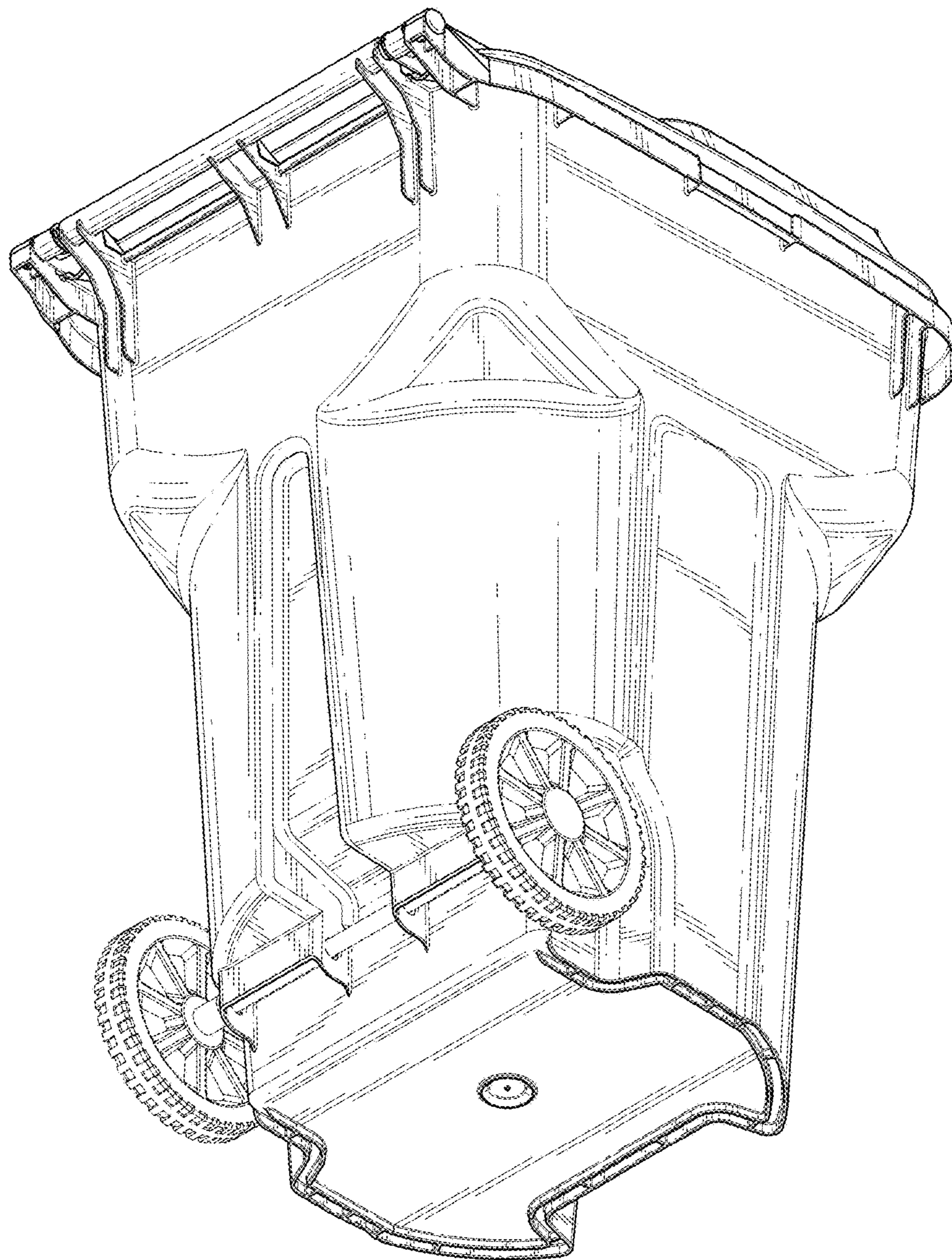


FIG. 2

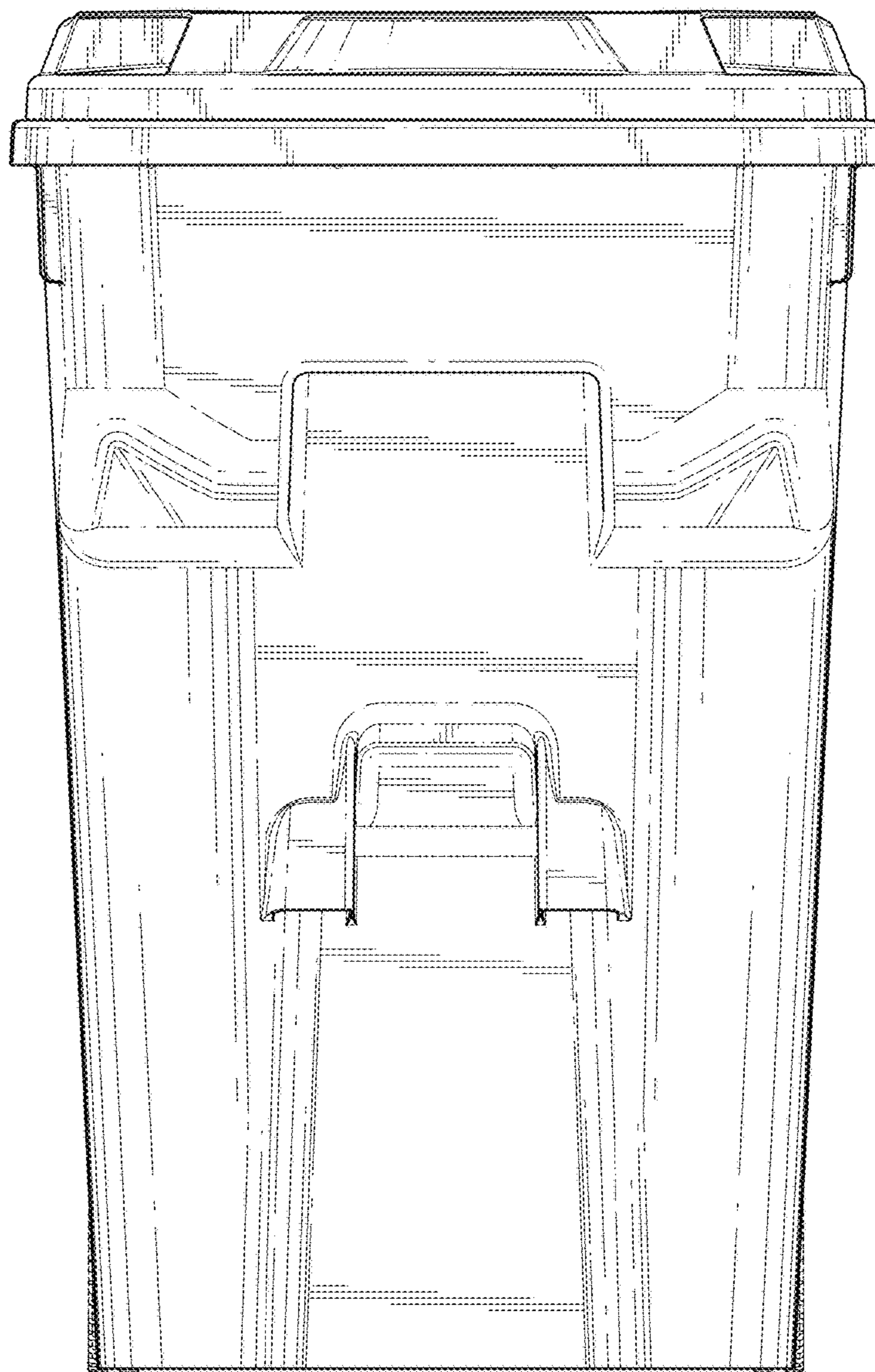


FIG. 3

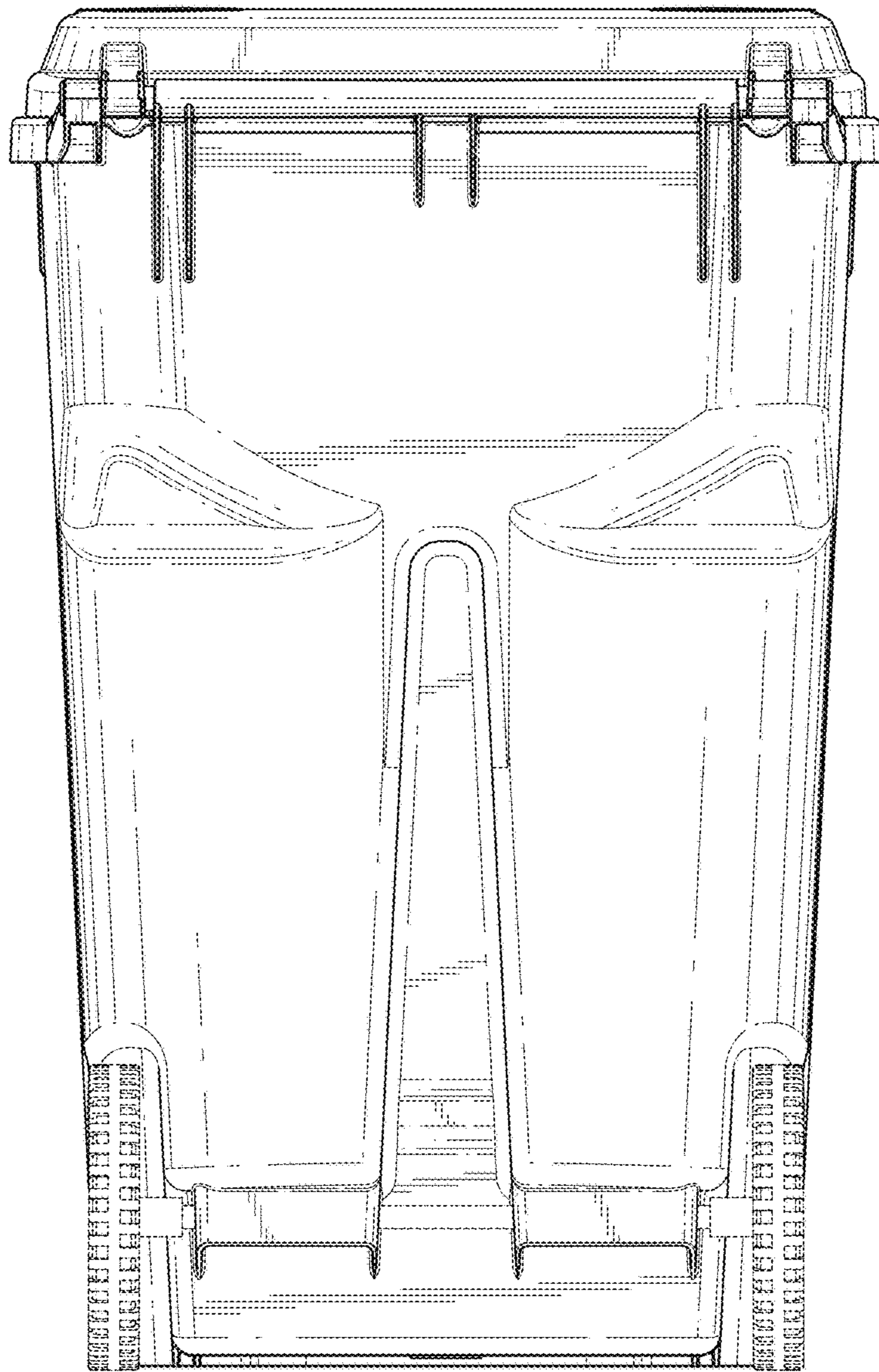


FIG. 4

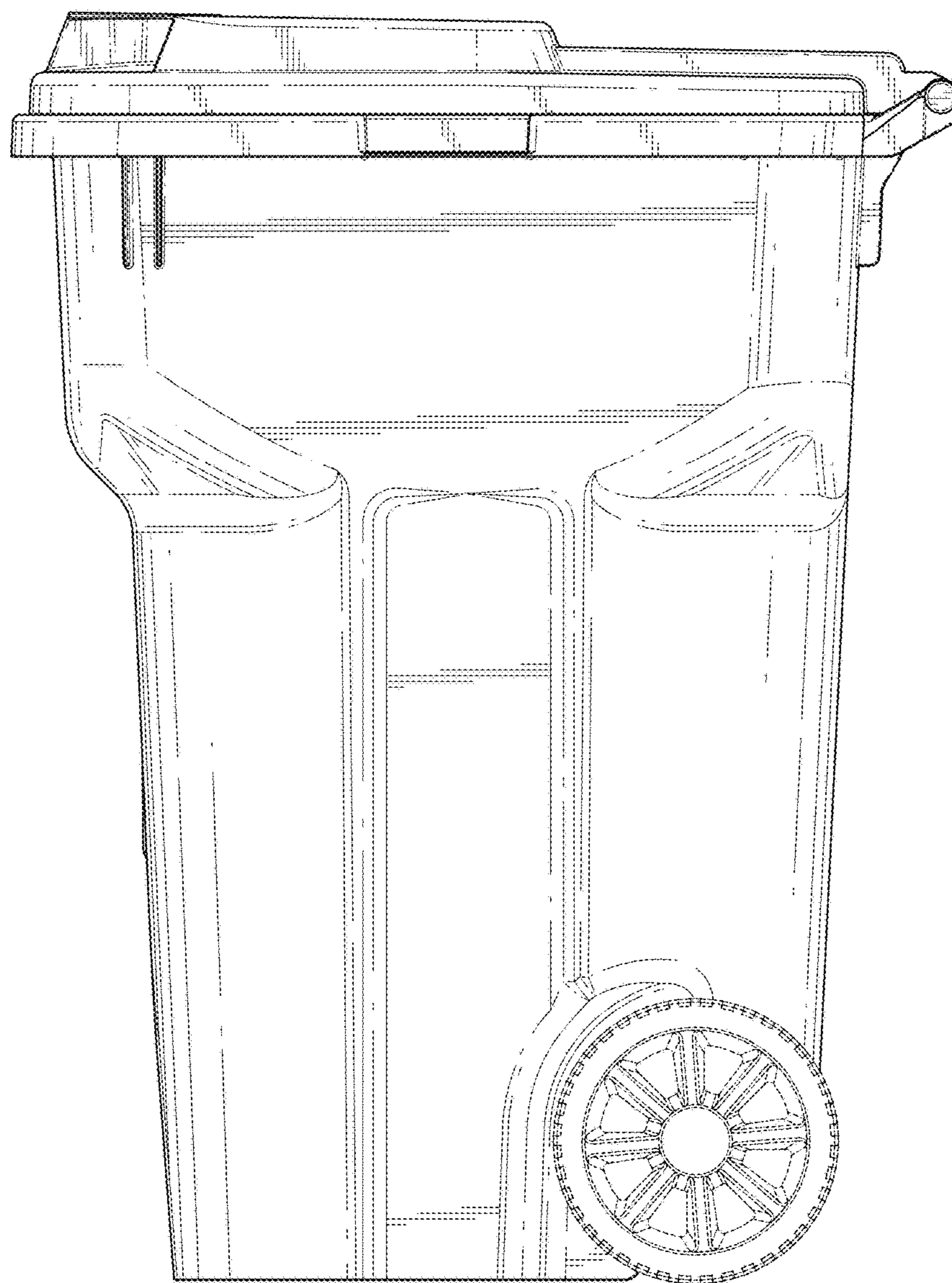


FIG. 5

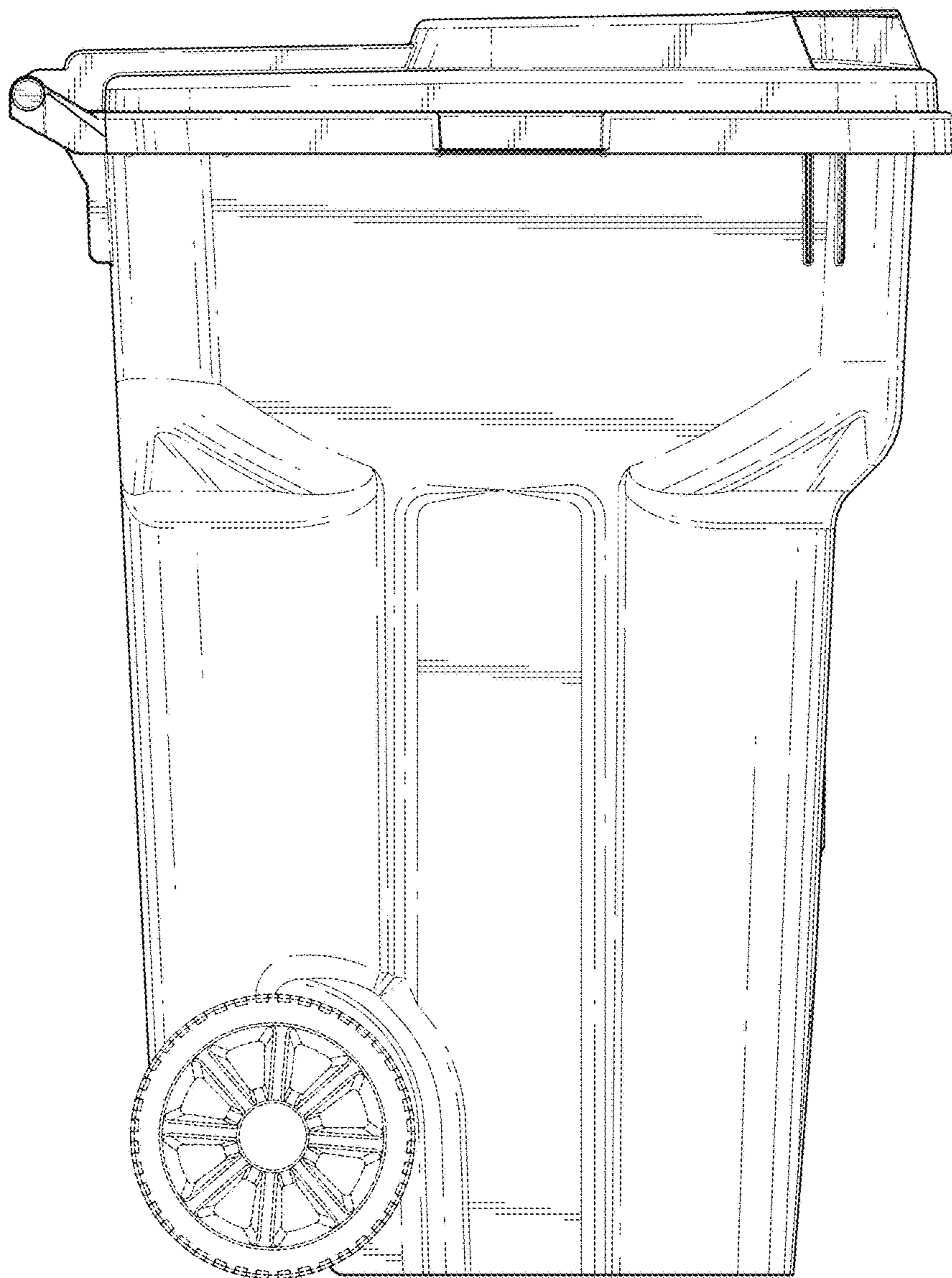


FIG. 6

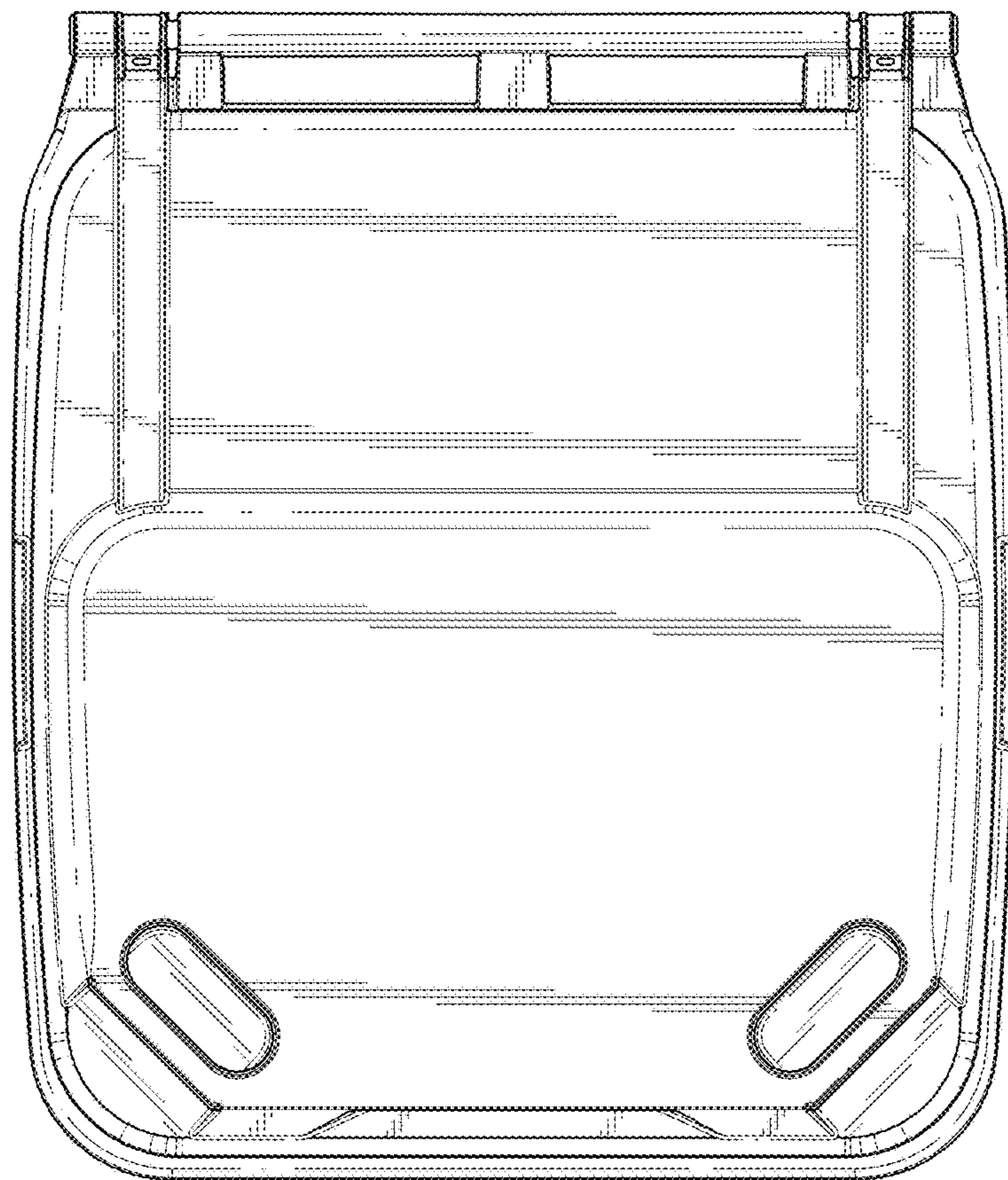


FIG. 7

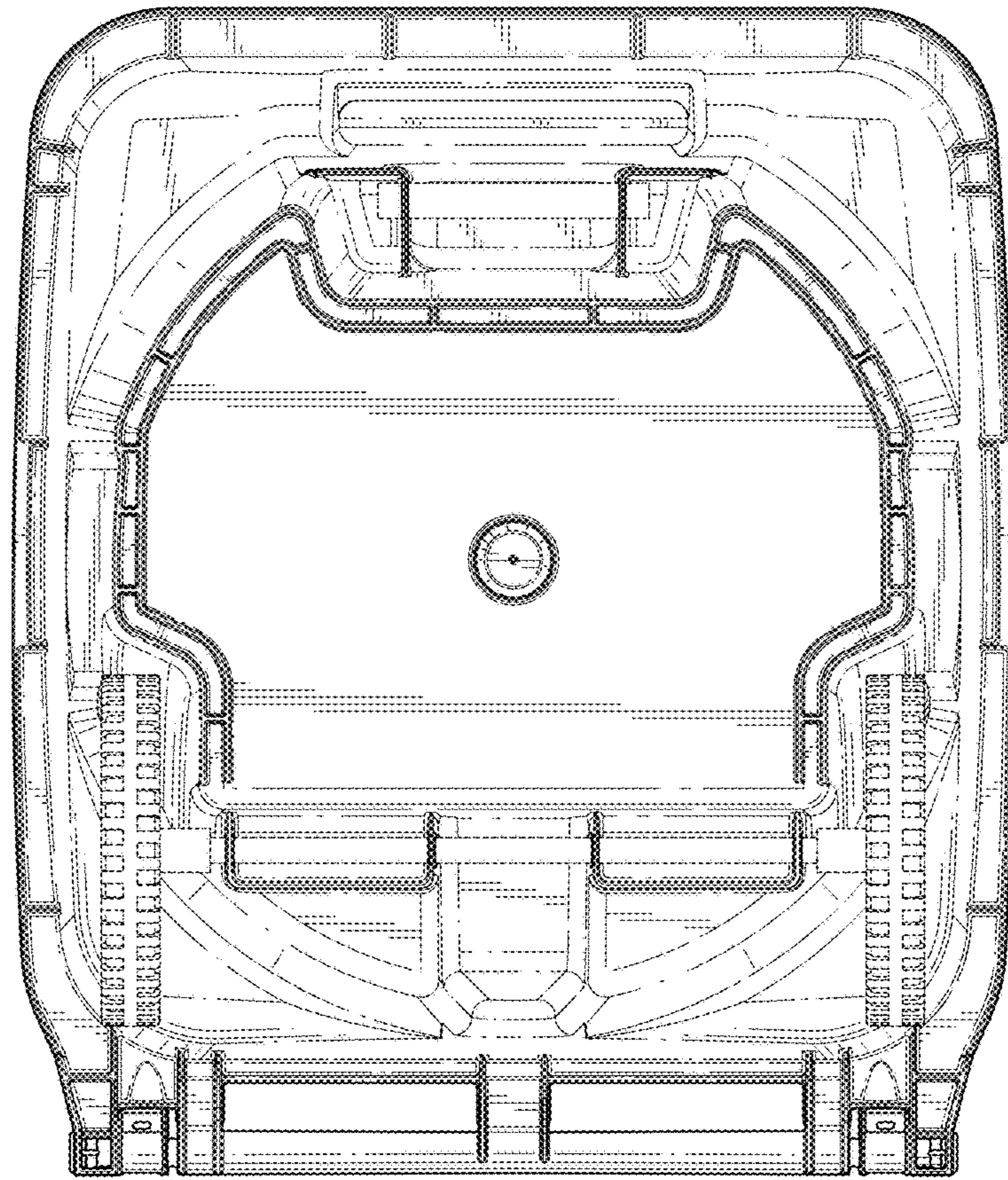


FIG. 8