

US00D868408S

(12) **United States Design Patent** (10) **Patent No.:** **US D868,408 S**
Mi et al. (45) **Date of Patent:** **** Nov. 26, 2019**

(54) **TANK**

FOREIGN PATENT DOCUMENTS

(71) Applicant: **Beijing Rockrobo Technology Co., Ltd.**, Beijing (CN)

CN 303050399 * 12/2014
CN 303605798 * 3/2016

(Continued)

(72) Inventors: **Chang Mi**, Beijing (CN); **Chuanlin Duan**, Beijing (CN); **Guang Yu**, Beijing (CN); **Dahong Gong**, Beijing (CN); **Zitao Wang**, Beijing (CN); **Fan Yang**, Beijing (CN); **Xiaoming Liu**, Beijing (CN); **Youcheng Lu**, Beijing (CN)

OTHER PUBLICATIONS

Mi Robot Vacuum posted by Sami Luo posted date Sep. 21, 2017, © YouTube, [online], [site visited Feb. 26, 2019]. Available from Internet, https://www.youtube.com/watch?v=vx_P_bFhWWE (Year: 2017).*

(Continued)

(73) Assignee: **Beijing Rockrobo Technology Co., Ltd.**, Beijing (CN)

Primary Examiner — Garth Rademaker
Assistant Examiner — Laura H Yu

(74) *Attorney, Agent, or Firm* — Greenberg Traurig, LLP

(**) Term: **15 Years**

(57) **CLAIM**

(21) Appl. No.: **29/617,841**

We claim the ornamental design for a tank, as shown and described.

(22) Filed: **Sep. 15, 2017**

(51) **LOC (12) Cl.** **07-05**

(52) **U.S. Cl.**
USPC **D32/45**

(58) **Field of Classification Search**
USPC D32/1, 5, 6, 8, 10, 25, 28, 29, 29.1, 15, D32/18, 23, 31; D6/663, 705; 68/3 R, 68/19.1, 20, 139; D7/348–349
CPC B60L 15/2009; D06F 39/045; D06F 29/00; D06F 39/022; D06F 33/02; D06F 35/006; D06F 25/00; D06F 39/12; D06F 39/14;

(Continued)

DESCRIPTION

FIG. 1 is a front elevational view of our tank showing our new design;
FIG. 2 a rear elevational view thereof;
FIG. 3 is a right side elevational view thereof;
FIG. 4 is a left side elevational view thereof;
FIG. 5 is a top plan view thereof;
FIG. 6 is a bottom plan view thereof;
FIG. 7 is a perspective view thereof;
FIG. 8 is an enlarged view of the encircled portion in FIG. 7;
FIG. 9 is an enlarged view of the encircled portion in FIG. 7;
FIG. 10 is a rear perspective view thereof;
FIG. 11 is an enlarged view of the encircled portion in FIG. 10; and,
FIG. 12 is an enlarged view of the encircled portion in FIG. 10.

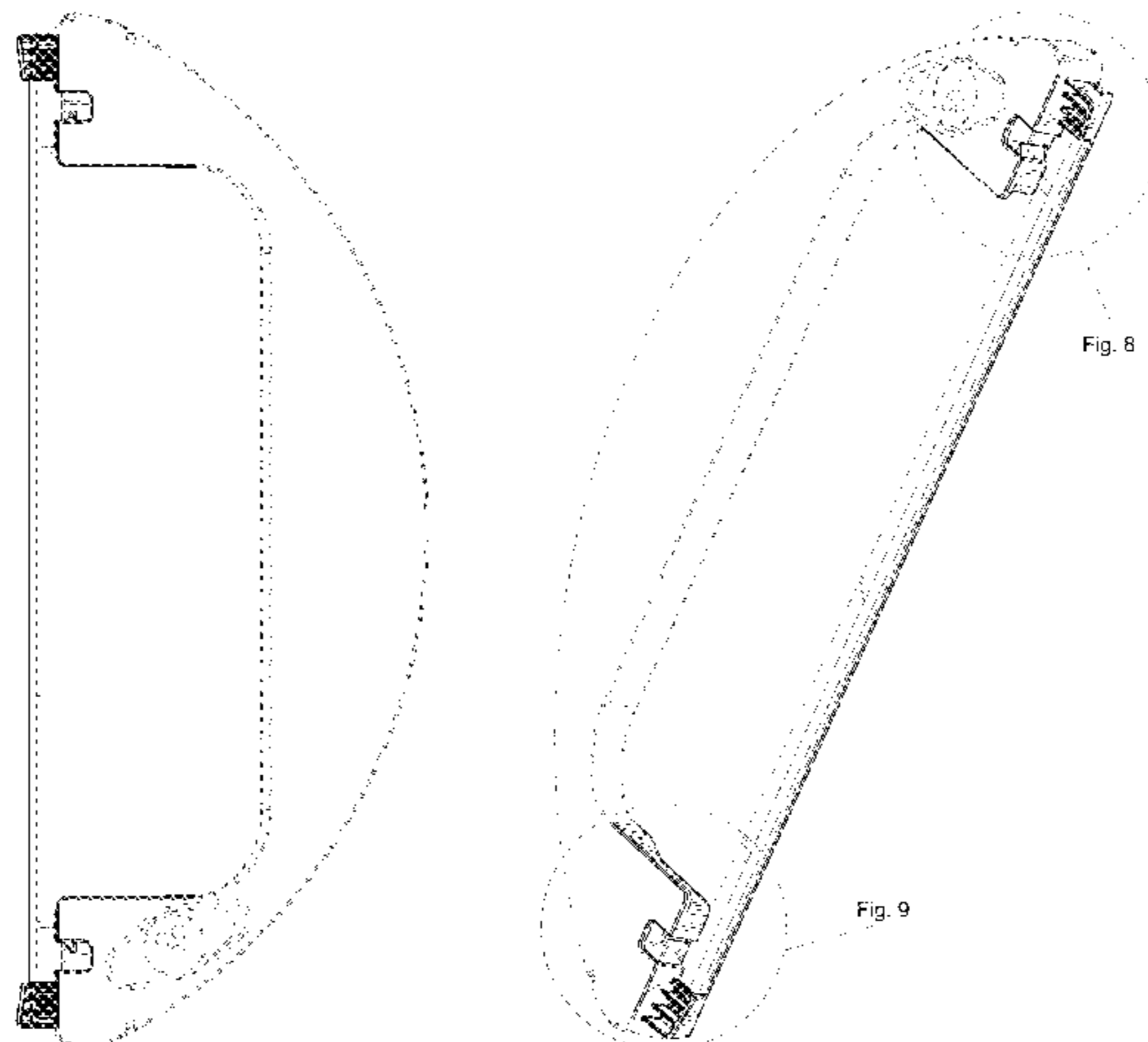
(Continued)

(56) **References Cited**

U.S. PATENT DOCUMENTS

2,860,360 A * 11/1958 Leavelle A47L 13/258
15/104.8
D314,460 S * 2/1991 Paulin D23/209

(Continued)



The dashed lines in the figures illustrate portions of the tank that form no part of the claimed design.

1 Claim, 9 Drawing Sheets

(58) Field of Classification Search

CPC D06F 29/005; D06F 2204/065; A47L 15/4418; A47L 9/325; A47L 9/009; A47L 11/34; A47L 5/362; A47L 5/365; A47L 7/0004; A47L 7/0019; A47L 9/2842; A47L 9/26; E04H 4/1654

See application file for complete search history.

(56) References Cited

U.S. PATENT DOCUMENTS

D344,616 S *	2/1994	Berfield	D32/31
D513,649 S *	1/2006	Moine	D32/31
7,620,476 B2 *	11/2009	Morse	A47L 5/14 15/319
8,973,214 B2 *	3/2015	Conrad	A47L 9/00 15/353
D777,009 S *	1/2017	Joo	D32/25
D840,617 S *	2/2019	Dou	D32/21
10,213,081 B2 *	2/2019	Ziegler	A47L 11/302
2008/0276407 A1 *	11/2008	Schnittman	A47L 11/34 15/319

2012/0167917 A1 *	7/2012	Gilbert, Jr.	A47L 11/408 134/6
2015/0376828 A1 *	12/2015	Seo	D06F 29/00 68/3 R
2017/0231450 A1 *	8/2017	Ichikawa	A47L 9/28 15/319

FOREIGN PATENT DOCUMENTS

CN	303842258	*	9/2016
CN	304221379	*	7/2017

OTHER PUBLICATIONS

Xiaomi Mi Robot Vacuum Maintenance posted by Cordless Vacuum Guide posted date Sep. 28, 2016, © YouTube, [online], [site visited Feb. 26, 2019]. Available from Internet, <https://www.youtube.com/watch?v=vzfVOzZz1a0> (Year: 2016).*

MiJia Robot Vacuum posted by Yuvals83 posted date Sep. 19, 2017, © YouTube, [online], [site visited Feb. 26, 2019]. Available from Internet, <https://www.youtube.com/watch?v=tpJFzPIXOOM> (Year: 2017).*

Roborock Vacuum posted by Alibaba posted date unknown, © Alibaba, [online], [site visited Feb. 26, 2019]. Available from Internet, <https://www.aliexpress.com/item/International-version-xiaomi-robot-vacuum-cleaner-2-with-Mopping-and-Sweeping-WIFI-APP-Control> (Year: 2019).*

https://www.gearbest.com/robot-vacuum/pp_440546.html, roborock S50 Smart Robot Vacuum Cleaner, printed Feb. 14, 2018, and offered for sale at least as early as Aug. 31, 2016, 11 pgs. <https://www.mi.com/roomrobot/explain>, translated by Google Translate on Feb. 21, 2018, and offered for sale at least as early as Aug. 31, 2016, 8 pgs.

* cited by examiner

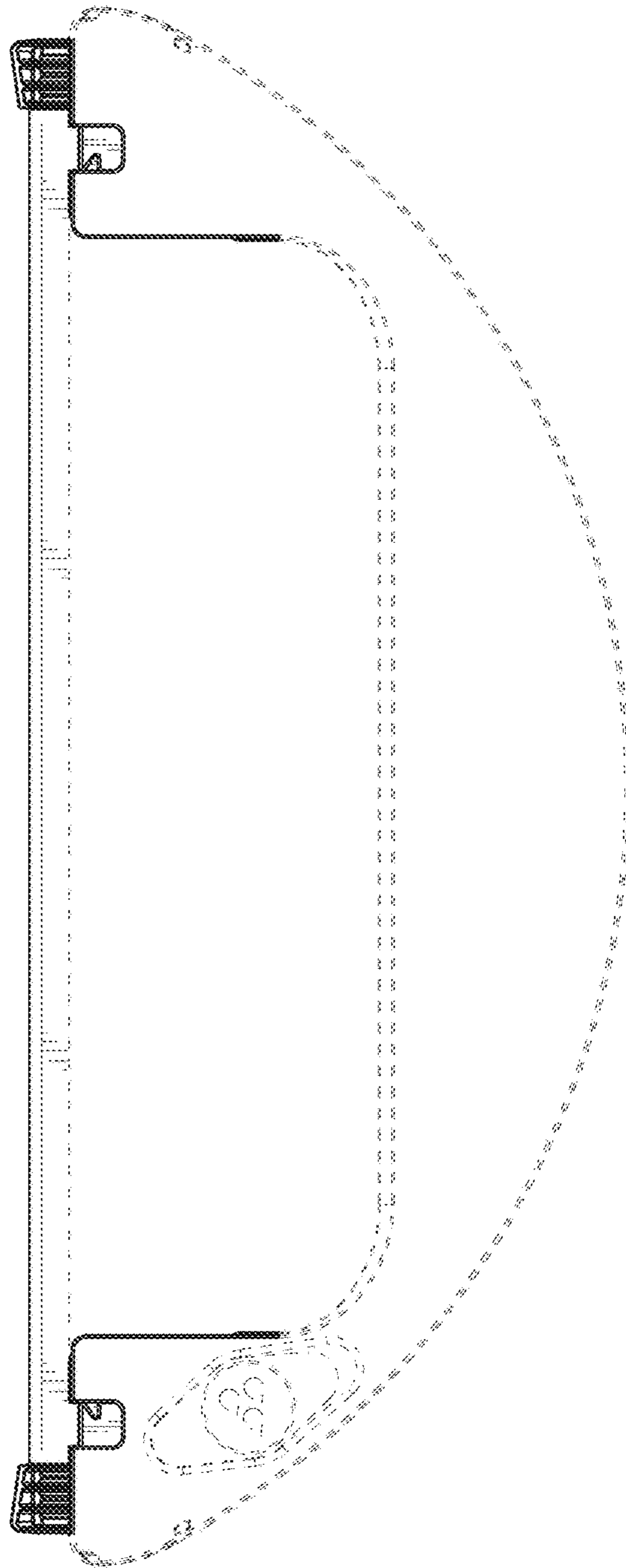


Fig. 1

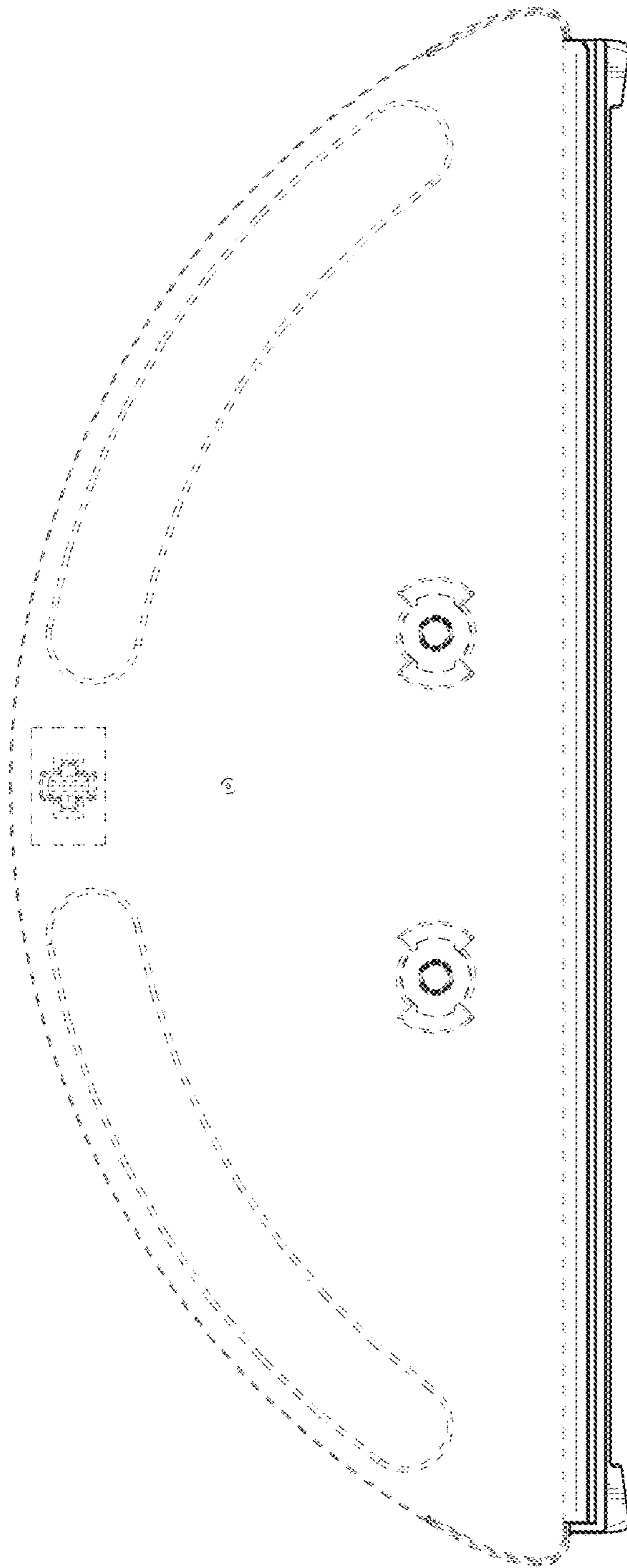


Fig. 2

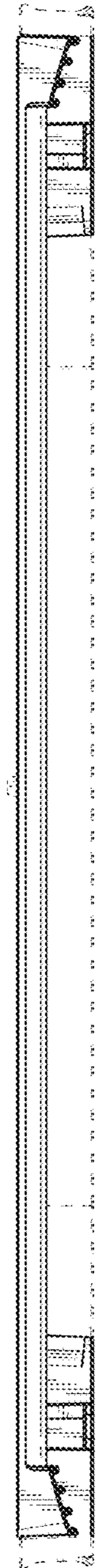


Fig. 3

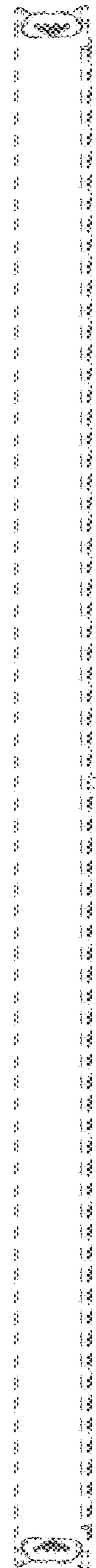


Fig. 4



Fig. 5

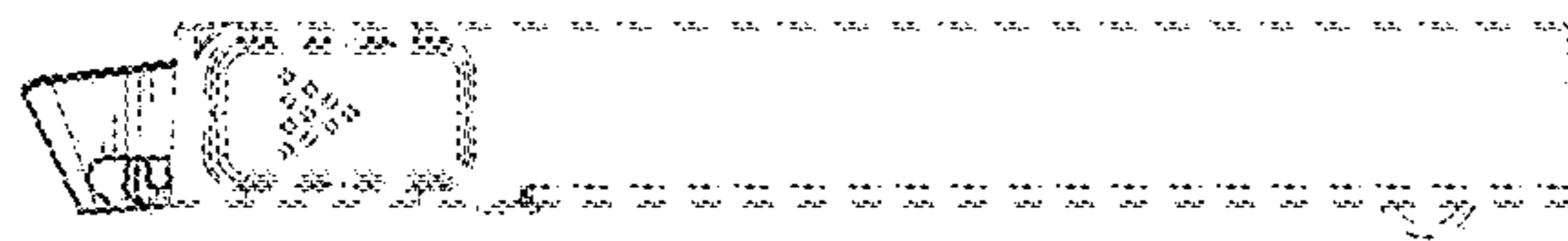


Fig. 6

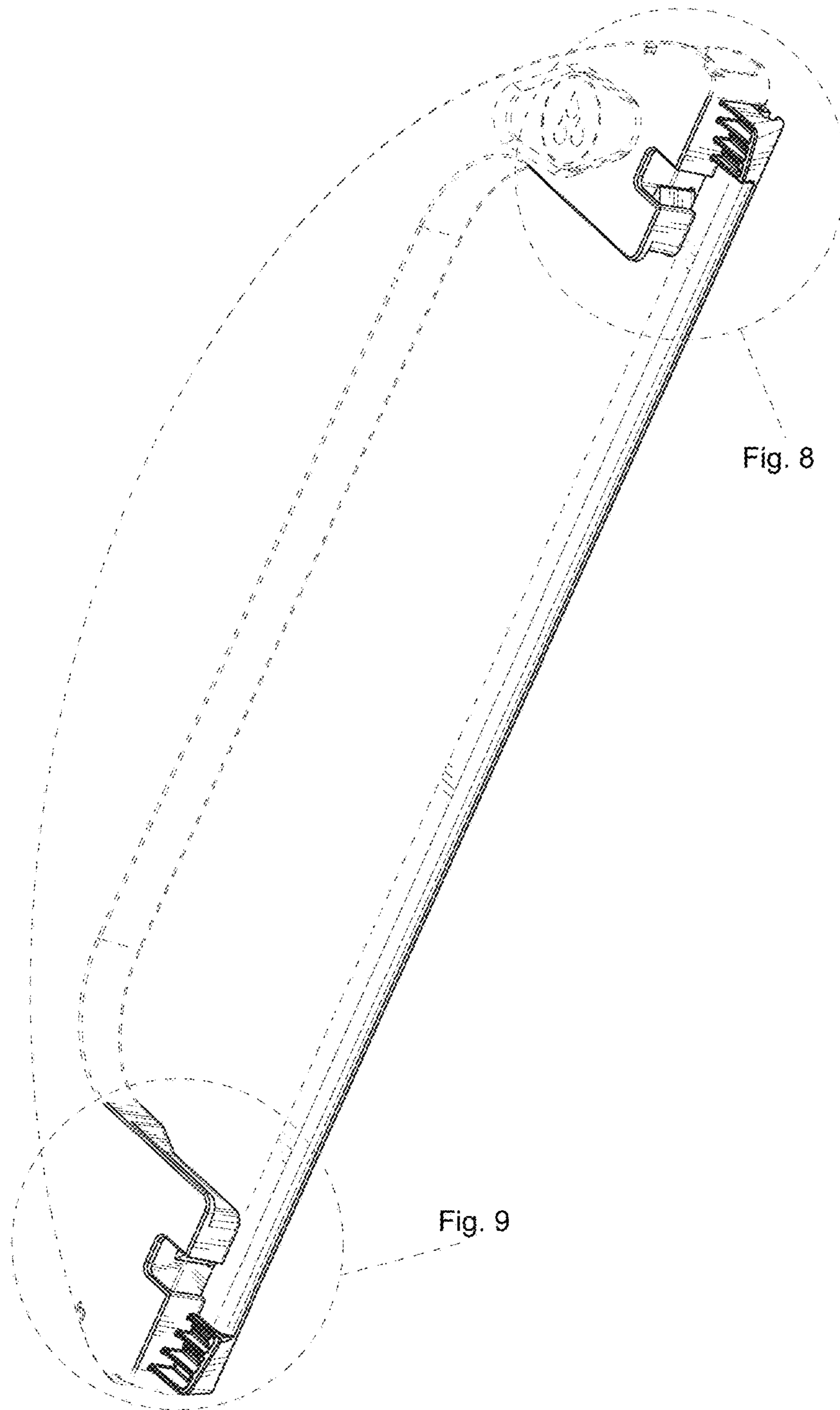


Fig. 7

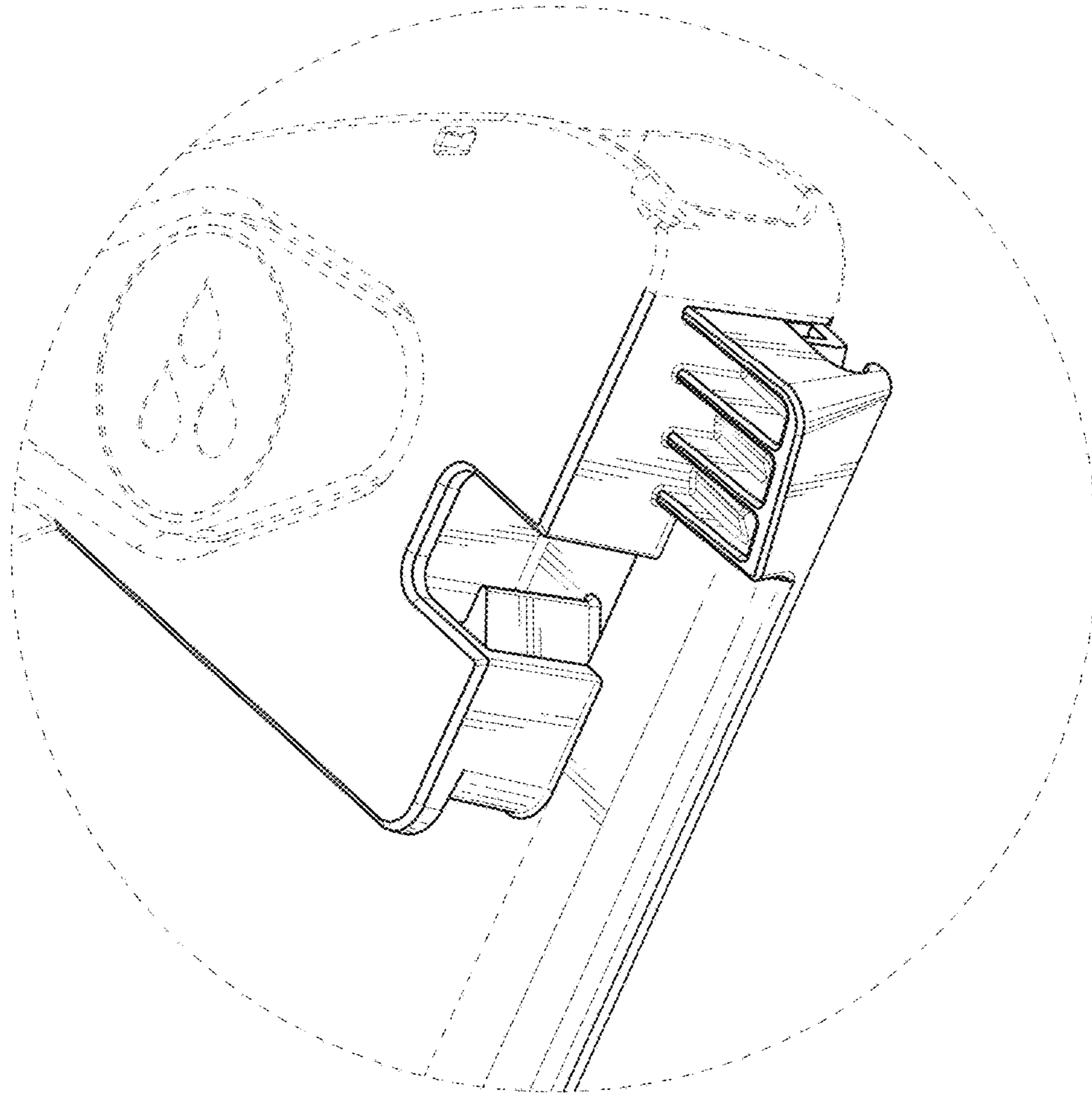


Fig. 8

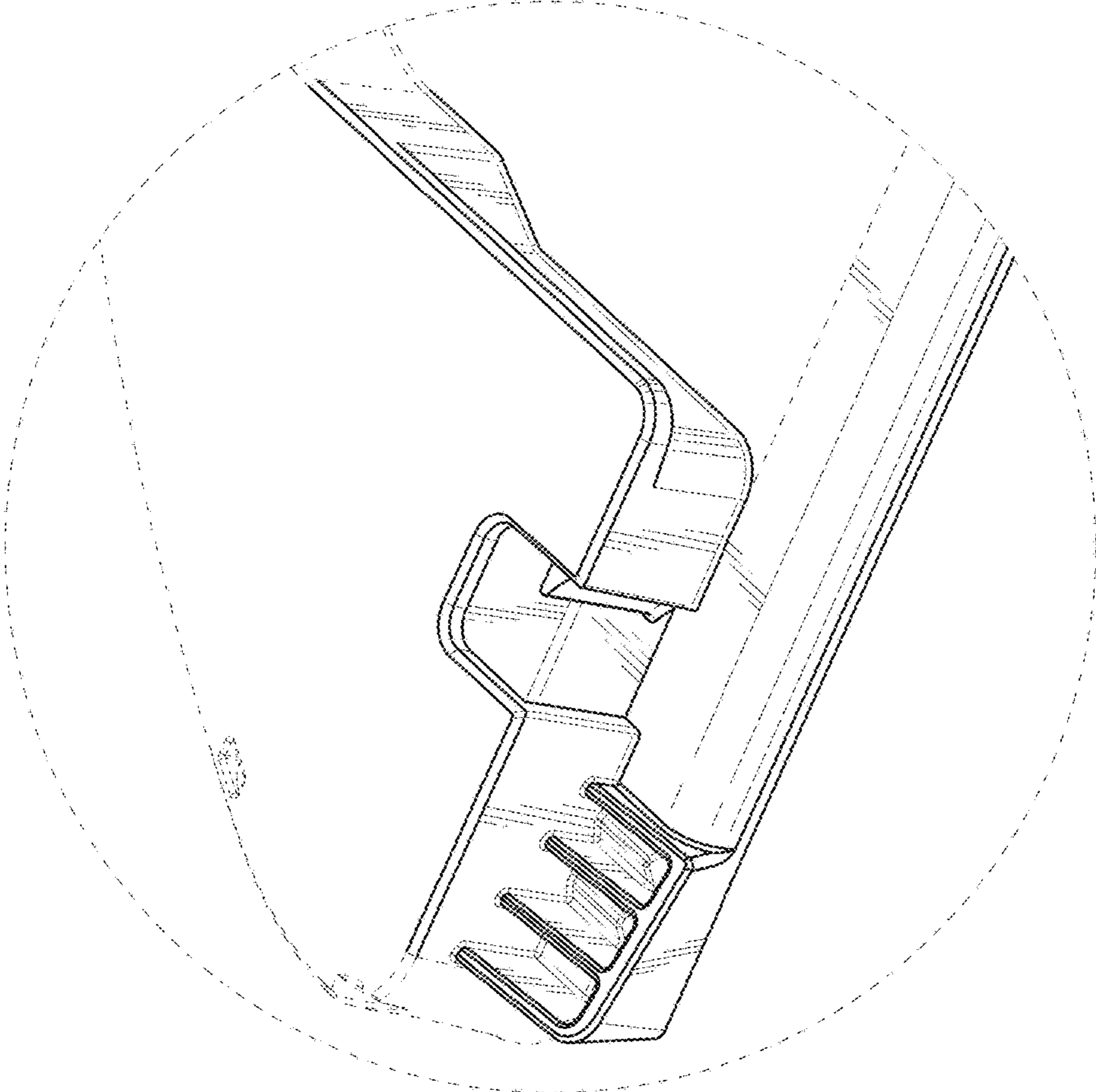
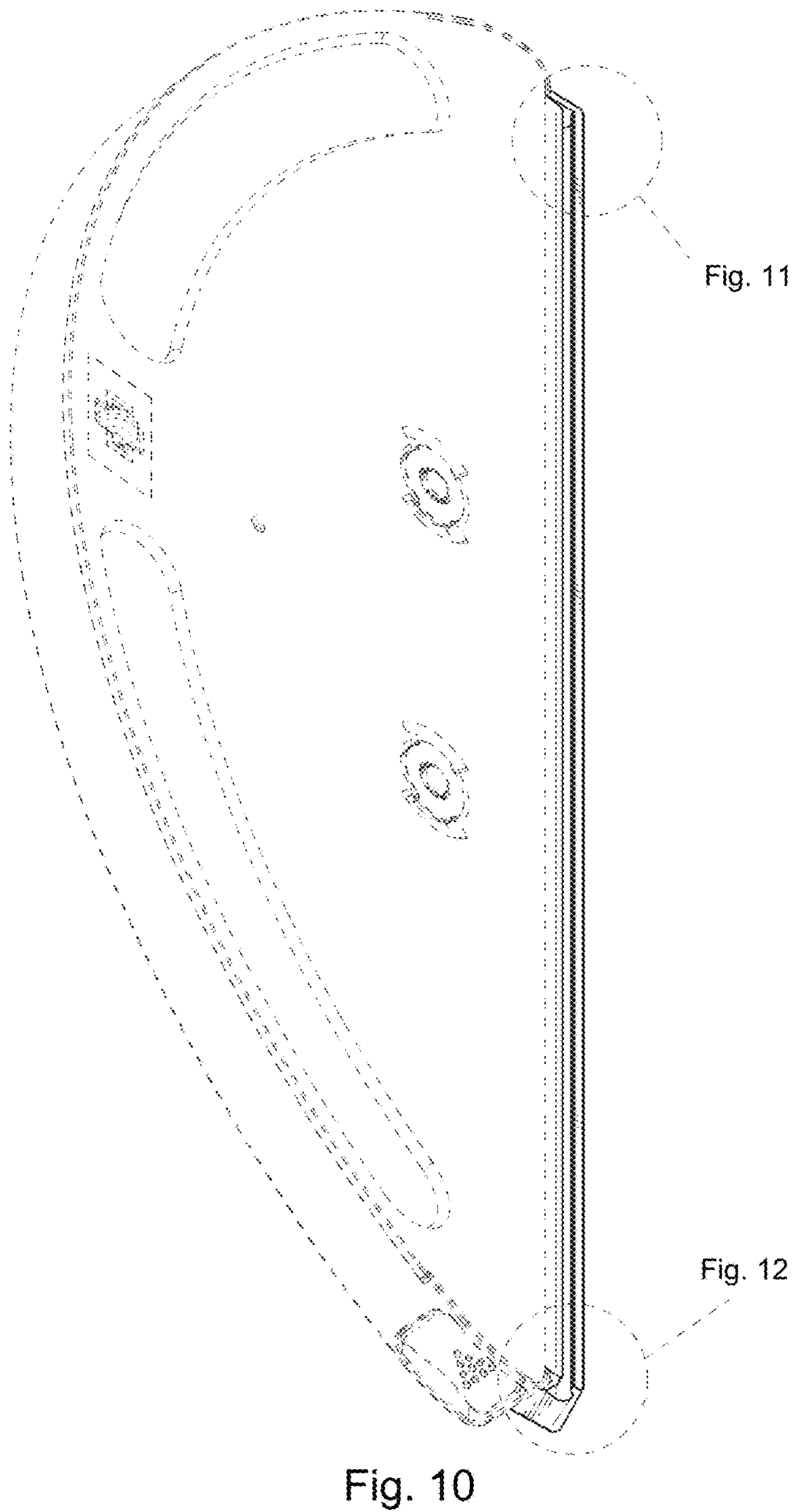


Fig. 9



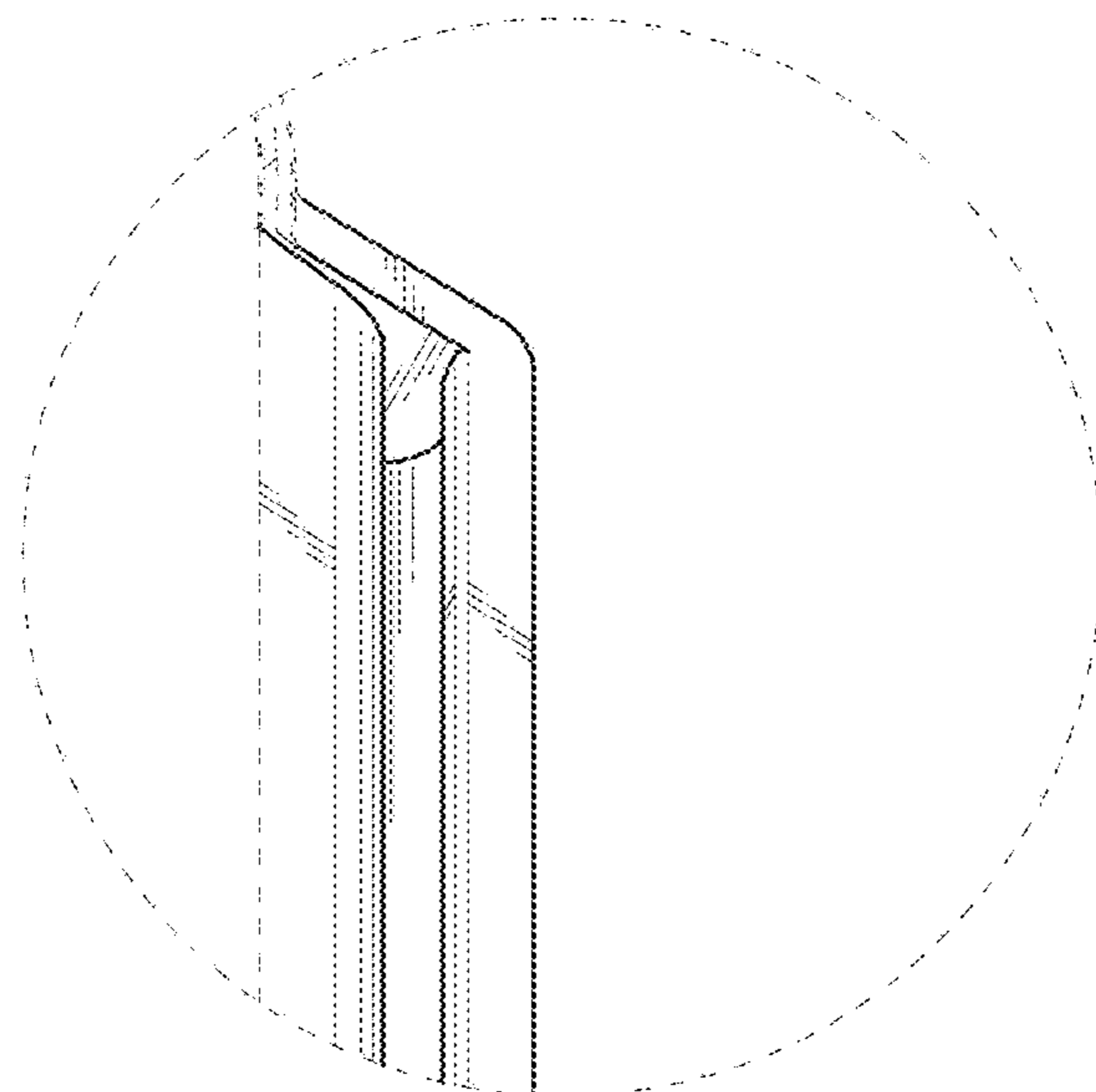


Fig. 11

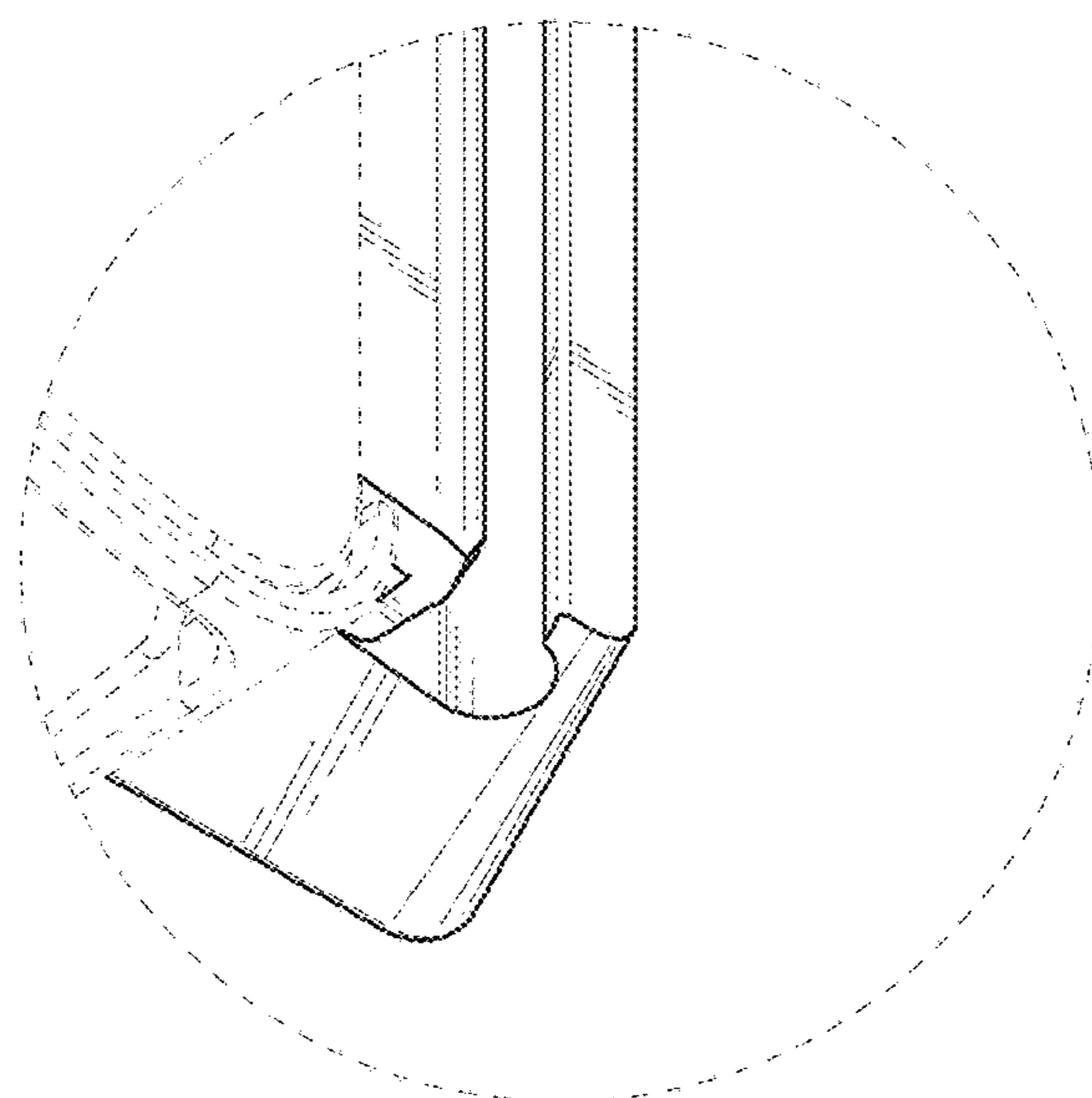


Fig. 12