



US00D868406S

(12) **United States Design Patent** (10) **Patent No.:** **US D868,406 S**
Bond et al. (45) **Date of Patent:** **** Nov. 26, 2019**

(54) **VACUUM CLEANER TOOL**
(71) Applicant: **SHARKNINJA OPERATING LLC**,
Newton, MA (US)
(72) Inventors: **Brian M. Bond**, Woburn, MA (US);
Christopher Pinches, Surrey (GB);
Sam James, London (GB)

5,584,095 A 12/1996 Redding et al.
5,794,305 A 8/1998 Weger
D401,021 S 11/1998 Stephens
6,055,703 A 5/2000 Redding et al.
D431,335 S 9/2000 Mehaffey et al.
D509,030 S 9/2005 Stratford
D510,465 S 10/2005 Takahashi et al.
7,003,846 B2* 2/2006 Holtz A47L 5/24
15/327.1

(Continued)

(73) Assignee: **SharkNinja Operating LLC**,
Needham, MA (US)

FOREIGN PATENT DOCUMENTS

(**) Term: **15 Years**

CA 2495053 10/2010
JP 1123785 S 10/2001

(21) Appl. No.: **29/611,772**

OTHER PUBLICATIONS

(22) Filed: **Jul. 25, 2017**

(51) **LOC (12) Cl.** **15-05**

(52) **U.S. Cl.**
USPC **D32/32**

(58) **Field of Classification Search**
USPC D32/31-34, 20-22, 38-39, 45; D15/138,
D15/126; D8/70
CPC A47L 9/02; A47L 9/04; A47L 9/06; A47L
9/0477; A47L 9/2842; A47L 9/0693;
A47L 9/0444; A47L 9/0461; A47L 9/325;
A47L 9/28; A47L 5/362; A47L 5/365;
A47L 5/325; A47L 5/28; A47L 5/30;
A47L 5/34; A47L 5/36; A47L 5/02; A47L
5/24; A47L 11/4044; E04H 4/1654; A46B
13/001; E01H 1/0854; B24B 55/06;
B23Q 11/0071; B23Q 11/0046; B27C
5/10

Toshiba Corporation., Ltd., Catalog, No. 01-1, 2001 (Publicly known document No. HC13000398 of JPO Design Division) (English translation: not available), listed in JP Notice of References, received with JP Allowance dated May 15, 2018, 3 pgs.

(Continued)

See application file for complete search history.

Primary Examiner — Ruth McInroy
(74) *Attorney, Agent, or Firm* — Grossman Tucker
Perreault & Pflieger, PLLC

(57) **CLAIM**

The ornamental design for a vacuum cleaner tool, as shown and described.

DESCRIPTION

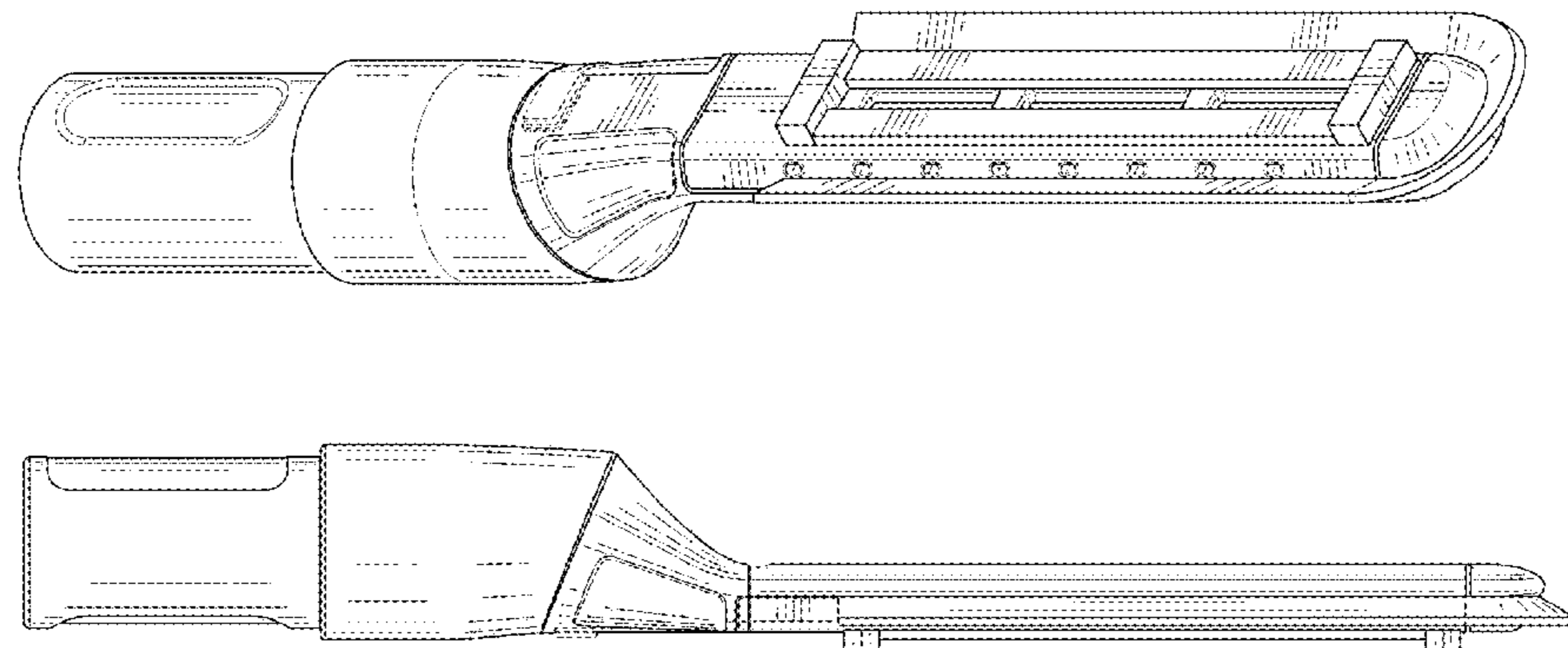
FIG. 1 is a top perspective view of a vacuum cleaner tool, showing the new design;
FIG. 2 is a bottom perspective view thereof;
FIG. 3 is a front view thereof;
FIG. 4 is a rear view thereof;
FIG. 5 is a left side view thereof;
FIG. 6 is a right side view thereof;
FIG. 7 is a top view thereof; and,
FIG. 8 is a bottom view thereof.

(56) **References Cited**

U.S. PATENT DOCUMENTS

D273,146 S * 3/1984 Farr D32/31
D315,043 S 2/1991 Hayden
D333,023 S 2/1993 Herron
D334,447 S 3/1993 Rohn
5,224,237 A 7/1993 Ambrosiano

1 Claim, 4 Drawing Sheets



(56)

References Cited

U.S. PATENT DOCUMENTS

D543,325 S 5/2007 Burnham
 D565,266 S 3/2008 Crevling et al.
 D569,059 S 5/2008 Stratford
 D569,060 S 5/2008 Stratford
 D573,759 S 7/2008 Konno et al.
 D579,161 S 10/2008 Crawley
 D580,116 S 11/2008 Santiago et al.
 D587,870 S 3/2009 Baek et al.
 7,503,098 B2 3/2009 Stein
 7,581,284 B2 9/2009 Courtney
 7,581,285 B2 9/2009 Courtney
 7,600,292 B2 10/2009 Courtney
 7,610,653 B2 11/2009 Courtney
 D608,064 S 1/2010 Conrad et al.
 D611,210 S 3/2010 Conrad et al.
 7,757,343 B2 7/2010 Courtney
 7,805,804 B2 10/2010 Loebig
 7,823,251 B2 11/2010 Dyson et al.
 7,854,039 B2 12/2010 Lee et al.
 D633,264 S 2/2011 Lee
 D641,114 S 7/2011 Choi et al.
 D642,755 S 8/2011 Fjellman
 D644,385 S 8/2011 Hare et al.
 8,032,983 B2 10/2011 Griffith et al.
 D659,923 S 5/2012 Dyson
 D662,271 S 6/2012 Conrad et al.
 D662,272 S 6/2012 Conrad et al.
 D670,056 S 10/2012 Ventress et al.
 D680,288 S 4/2013 Bilger et al.
 D681,894 S * 5/2013 Wu D32/31
 D684,326 S 6/2013 Okabe et al.
 D685,961 S 7/2013 Bilger et al.

D686,377 S 7/2013 Thorne
 8,533,907 B2 * 9/2013 Eccardt A47L 9/02
 138/122
 D693,975 S 11/2013 Santiago et al.
 D695,980 S 12/2013 Thorne
 D696,825 S 12/2013 Sweeney
 8,661,608 B2 * 3/2014 Knopow A47L 5/14
 15/344
 8,918,947 B2 * 12/2014 Schwartz A47L 9/02
 15/246.2
 D762,932 S * 8/2016 Ventress D32/32
 D764,125 S * 8/2016 Palladino D32/33
 D779,753 S * 2/2017 Mikula D32/32
 D789,634 S * 6/2017 Witter D32/32
 D796,133 S * 8/2017 Larouche D32/25
 D796,135 S * 8/2017 Yoon D32/32
 D805,267 S * 12/2017 Maune D32/31
 D812,327 S 3/2018 Houghton
 D844,266 S 3/2019 Wang
 D854,767 S 7/2019 Bond
 2009/0056058 A1 3/2009 Finke et al.
 2009/0056059 A1 3/2009 Mersmann et al.
 2009/0056061 A1 3/2009 Andrup et al.
 2011/0107553 A1 5/2011 Myers
 2011/0219581 A1 9/2011 Vines et al.
 2014/0237754 A1 8/2014 Conrad
 2014/0237762 A1 8/2014 Conrad
 2014/0259519 A1 9/2014 Conrad et al.

OTHER PUBLICATIONS

Chinese Patent Application No. 201430561404.9 filed Dec. 30, 2014.

* cited by examiner

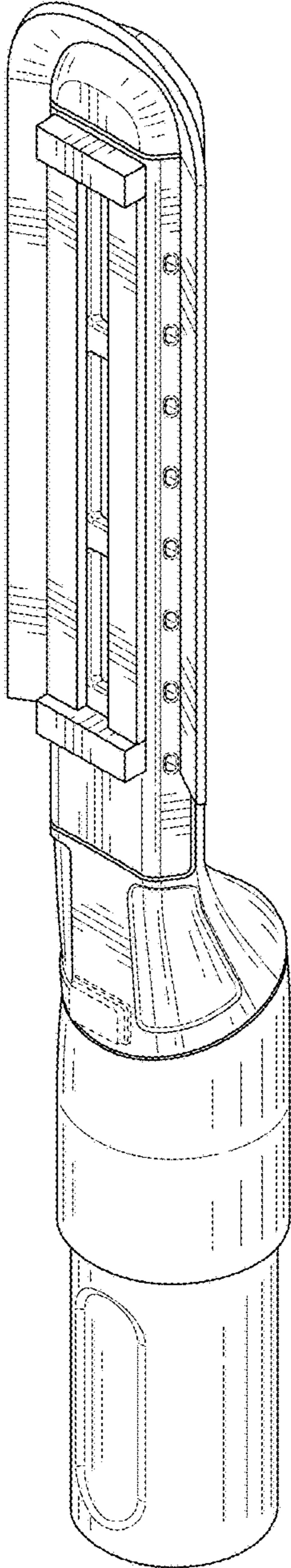


FIG. 1

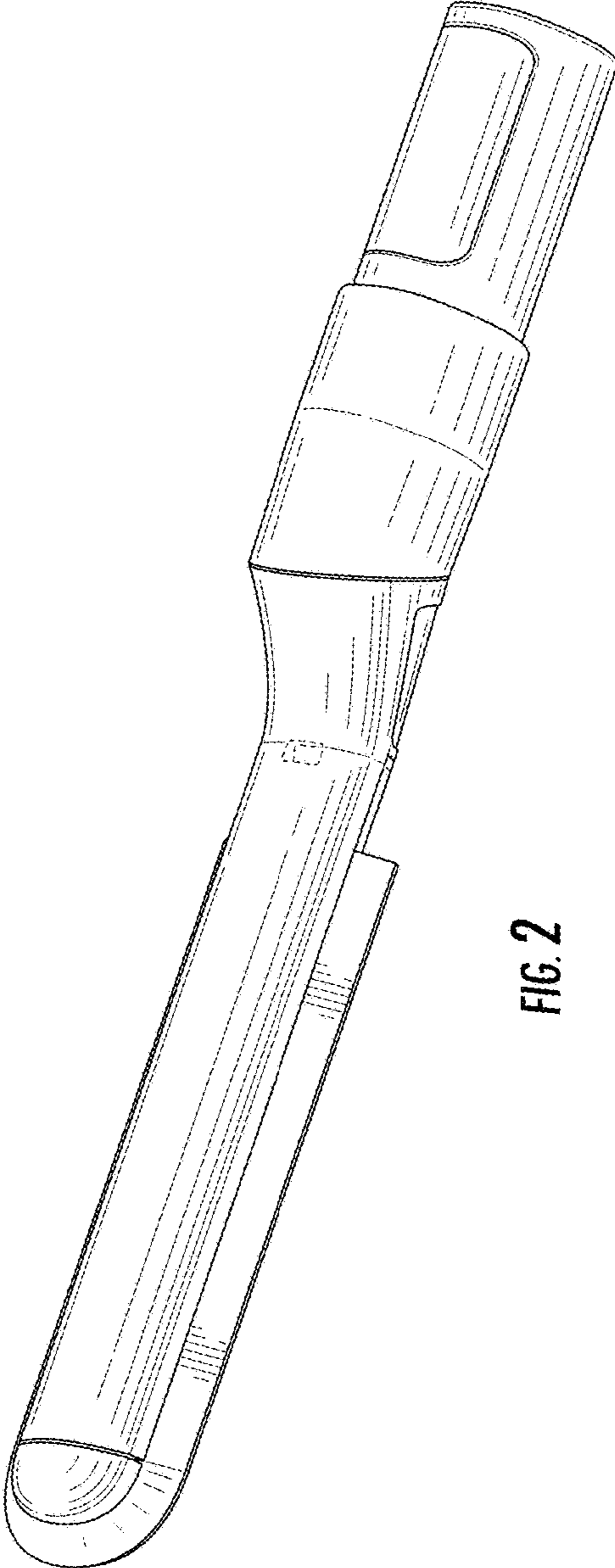


FIG. 2

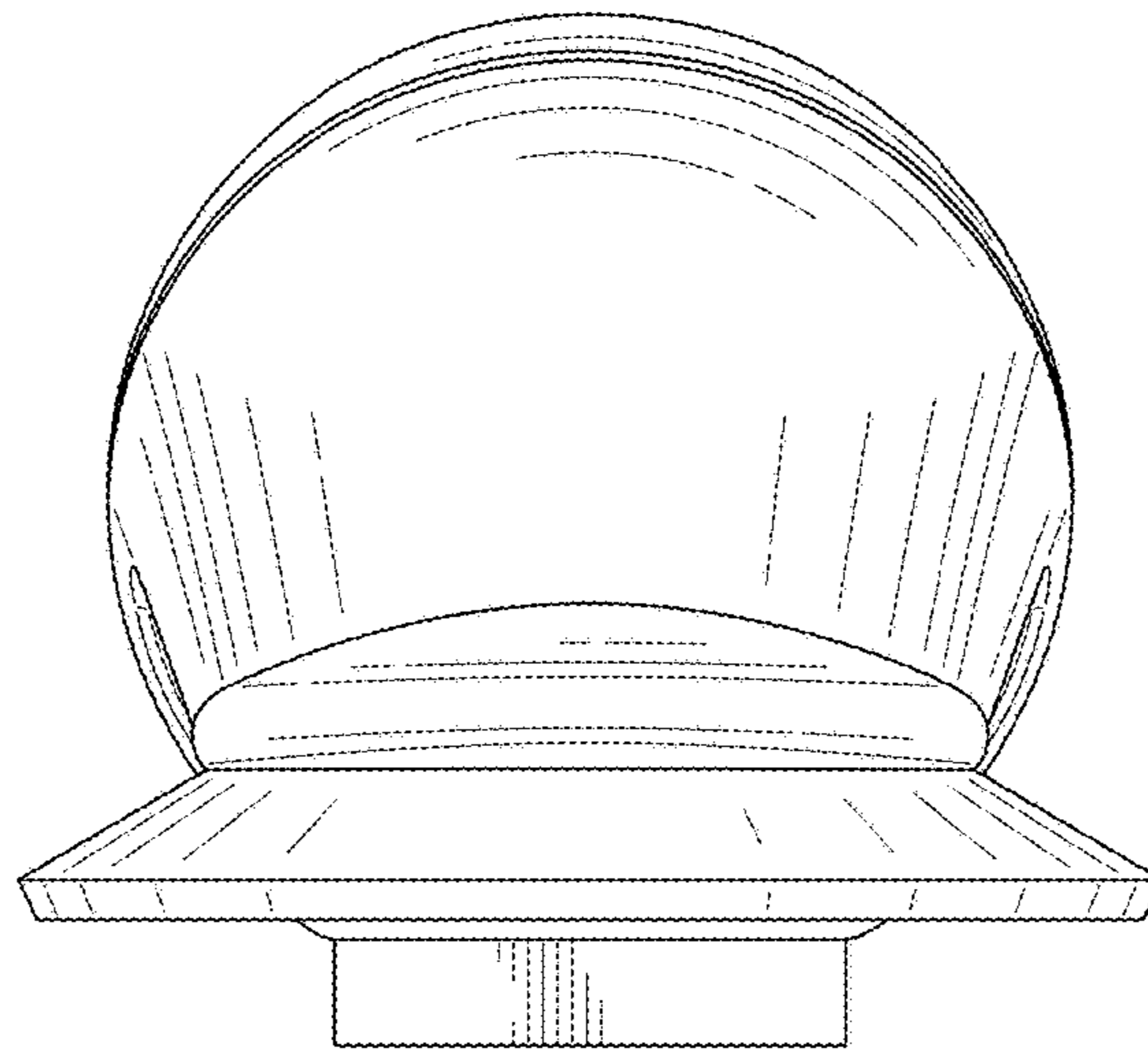


FIG. 3

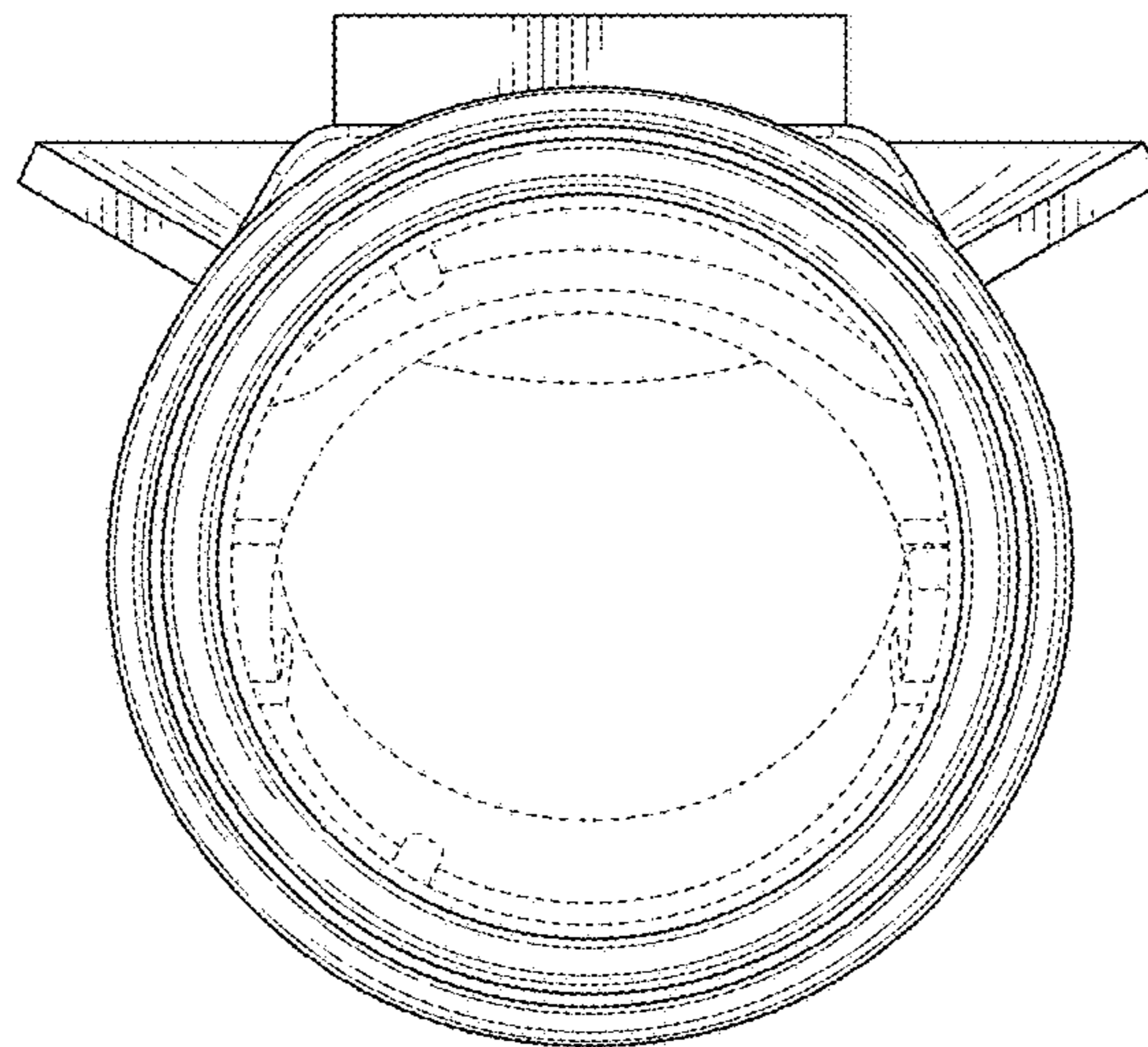


FIG. 4

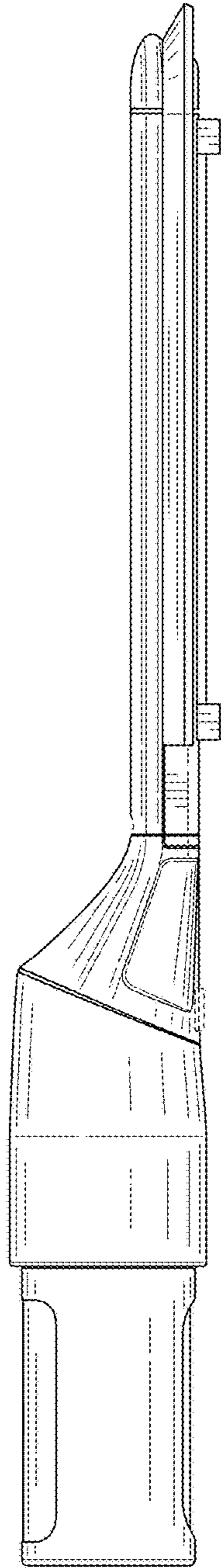


FIG. 5

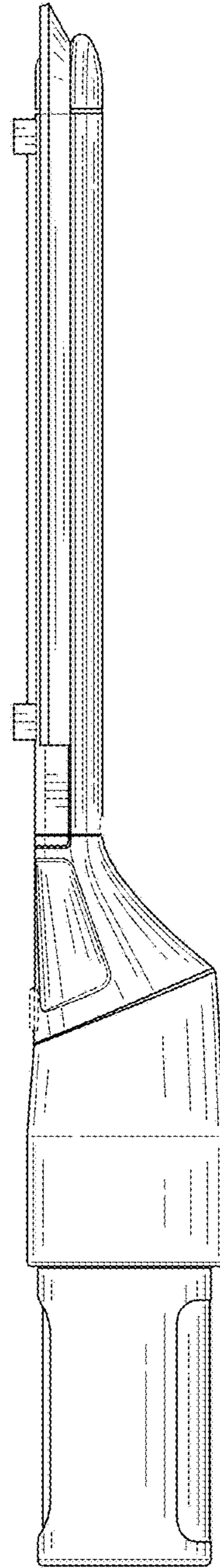


FIG. 6

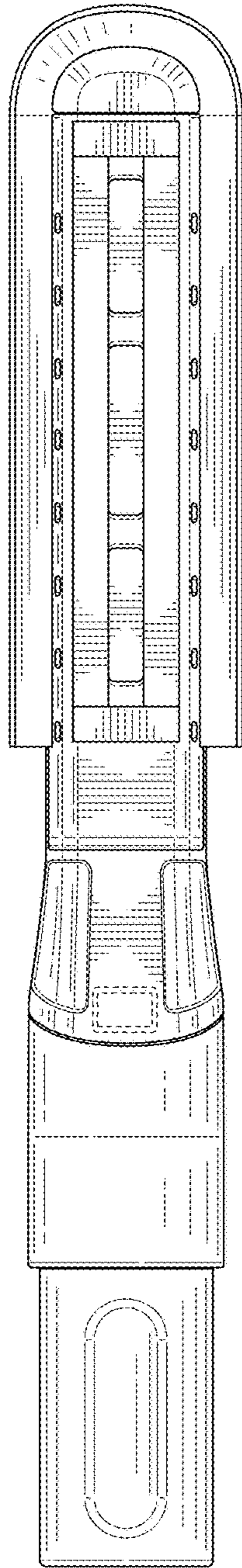


FIG. 7

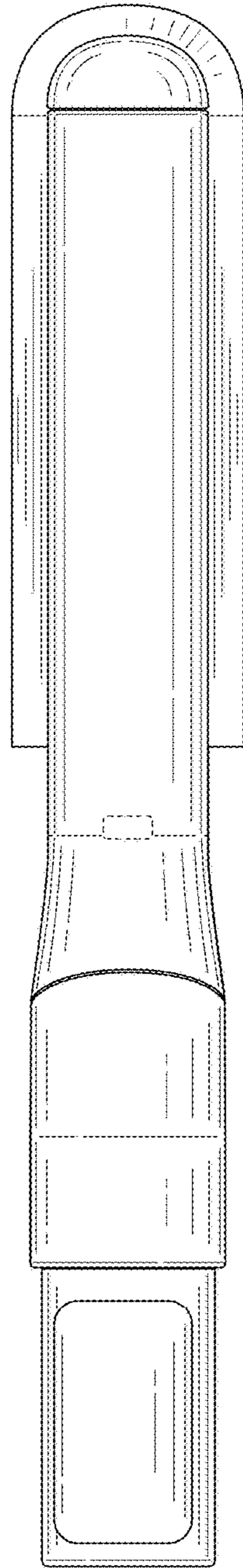


FIG. 8