



US00D868405S

(12) **United States Design Patent**
Andrup

(10) **Patent No.:** **US D868,405 S**

(45) **Date of Patent:** **** Nov. 26, 2019**

(54) **CONNECTION ELEMENT FOR VACUUM
CLEANER BAG**

(71) Applicant: **Miele & Cie. KG**, Guetersloh (DE)

(72) Inventor: **Klemens Andrup**, Verl (DE)

(73) Assignee: **MIELE & CIE. KG**, Guetersloh (DE)

(**) Term: **15 Years**

(21) Appl. No.: **29/613,760**

(22) Filed: **Aug. 14, 2017**

(30) **Foreign Application Priority Data**

Feb. 15, 2017 (EM) 003754522
May 5, 2017 (EM) 003935998

(51) **LOC (12) Cl.** **15-05**

(52) **U.S. Cl.**
USPC **D32/30**

(58) **Field of Classification Search**
USPC D32/25, 30, 31
CPC B01D 39/08; B01D 63/00; B01D 29/13;
B01D 25/24; B01D 25/00; B01D 29/23;
A47L 5/362; A47L 9/1436; A47L 5/28;
A47L 9/1427; A47L 9/1445
See application file for complete search history.

(56) **References Cited**

U.S. PATENT DOCUMENTS

5,468,271 A * 11/1995 Sauer A47L 9/1445
55/357
5,772,712 A * 6/1998 Perea A47L 9/1445
15/347
5,792,224 A * 8/1998 Fu A47L 9/1436
15/349
6,716,262 B2 * 4/2004 Zimet A47L 9/1427
15/347

6,733,555 B1 * 5/2004 Wilder A47L 9/1445
15/347
6,746,501 B1 * 6/2004 Wilder A47L 9/1445
15/347
D523,196 S * 6/2006 Bruneau D32/30
D600,868 S * 9/2009 Rennecker D32/30
7,662,200 B2 * 2/2010 Knuth A47L 9/1427
15/347
7,794,516 B2 * 9/2010 McAllise A47L 5/28
15/347
D657,510 S * 4/2012 Chang D32/30
2003/0182907 A1 * 10/2003 Steele A47L 9/1436
55/374
2005/0098039 A1 * 5/2005 Davis A47L 5/362
95/273

* cited by examiner

Primary Examiner — Michelle E. Wilson

(74) *Attorney, Agent, or Firm* — Leydig, Voit & Mayer,
Ltd.

(57) **CLAIM**

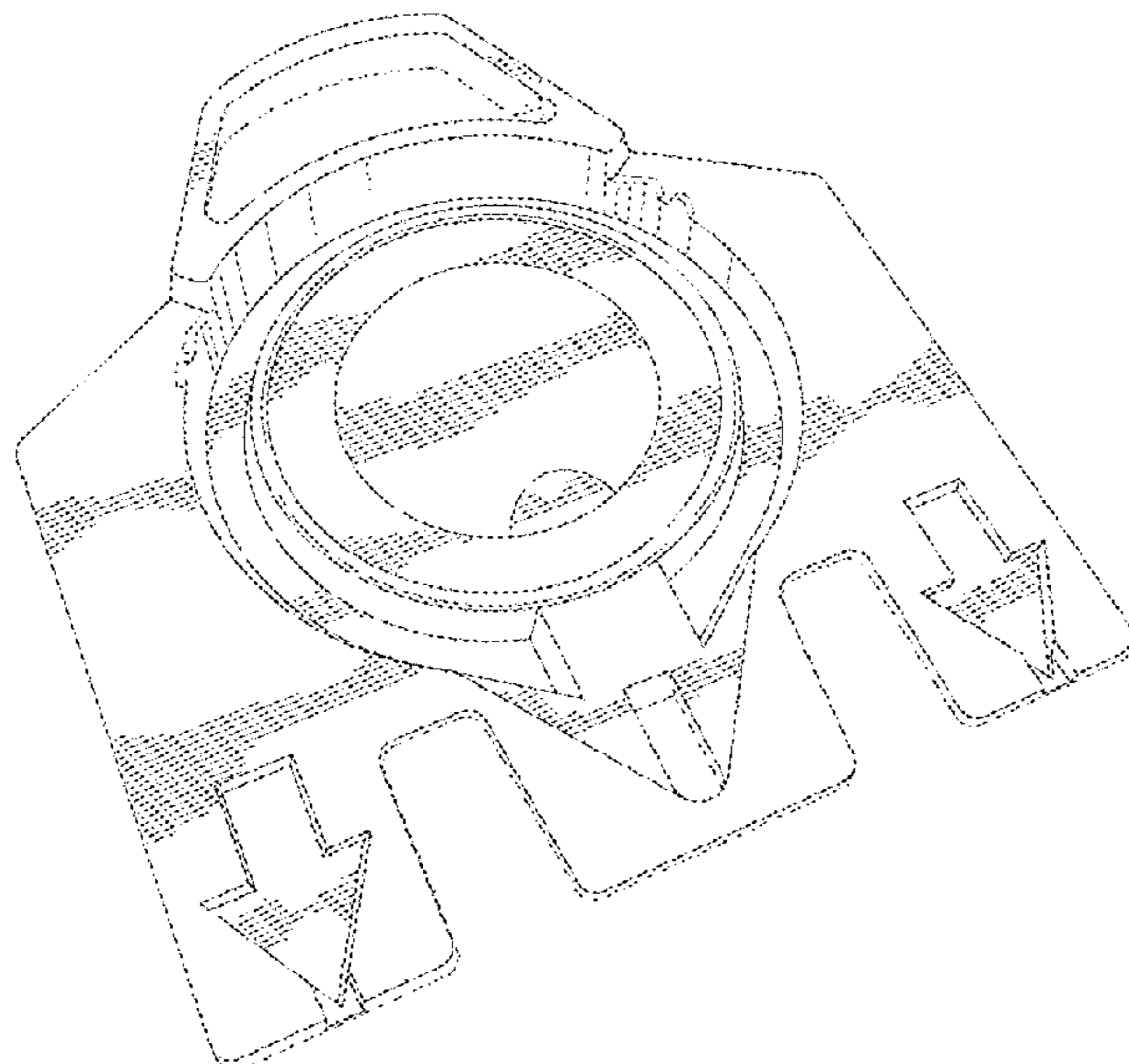
The ornamental design for a connection element for vacuum cleaner bag, as shown and described.

DESCRIPTION

FIG. 1 is a top left front perspective view of the connection element for vacuum cleaner bag showing my new design; FIG. 2 is a top right front perspective view thereof; FIG. 3 is a top plan view thereof; FIG. 4 is a bottom plan view thereof; FIG. 5 is a left side elevational view thereof; FIG. 6 is a right side elevational view thereof; FIG. 7 is a rear elevational view thereof; FIG. 8 is a front elevational view thereof; and, FIG. 9 is a top right front perspective view thereof with unclaimed environment.

Any broken lines in the drawings indicate portions which form no part of the claimed design.

1 Claim, 7 Drawing Sheets



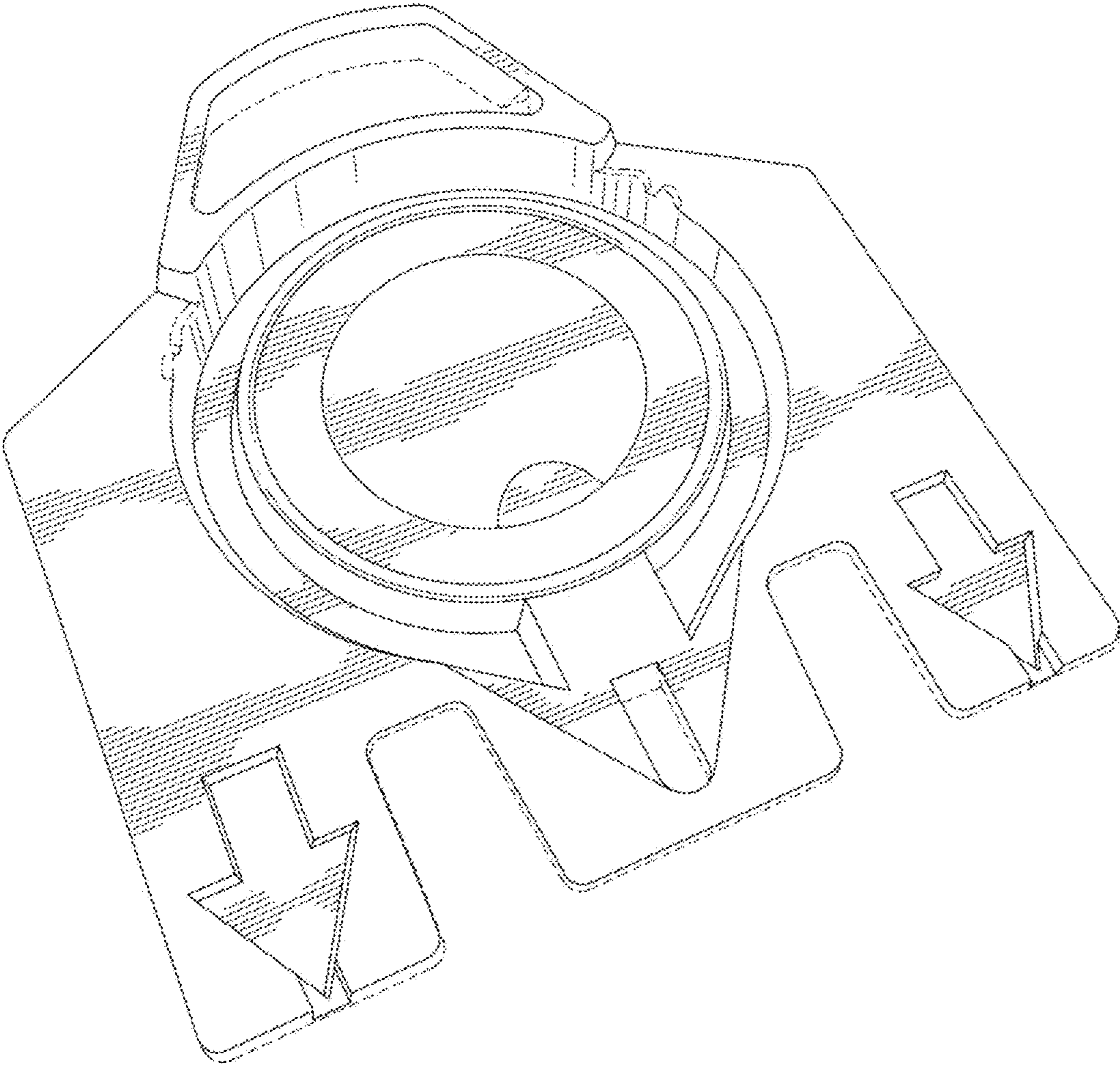


FIG. 1

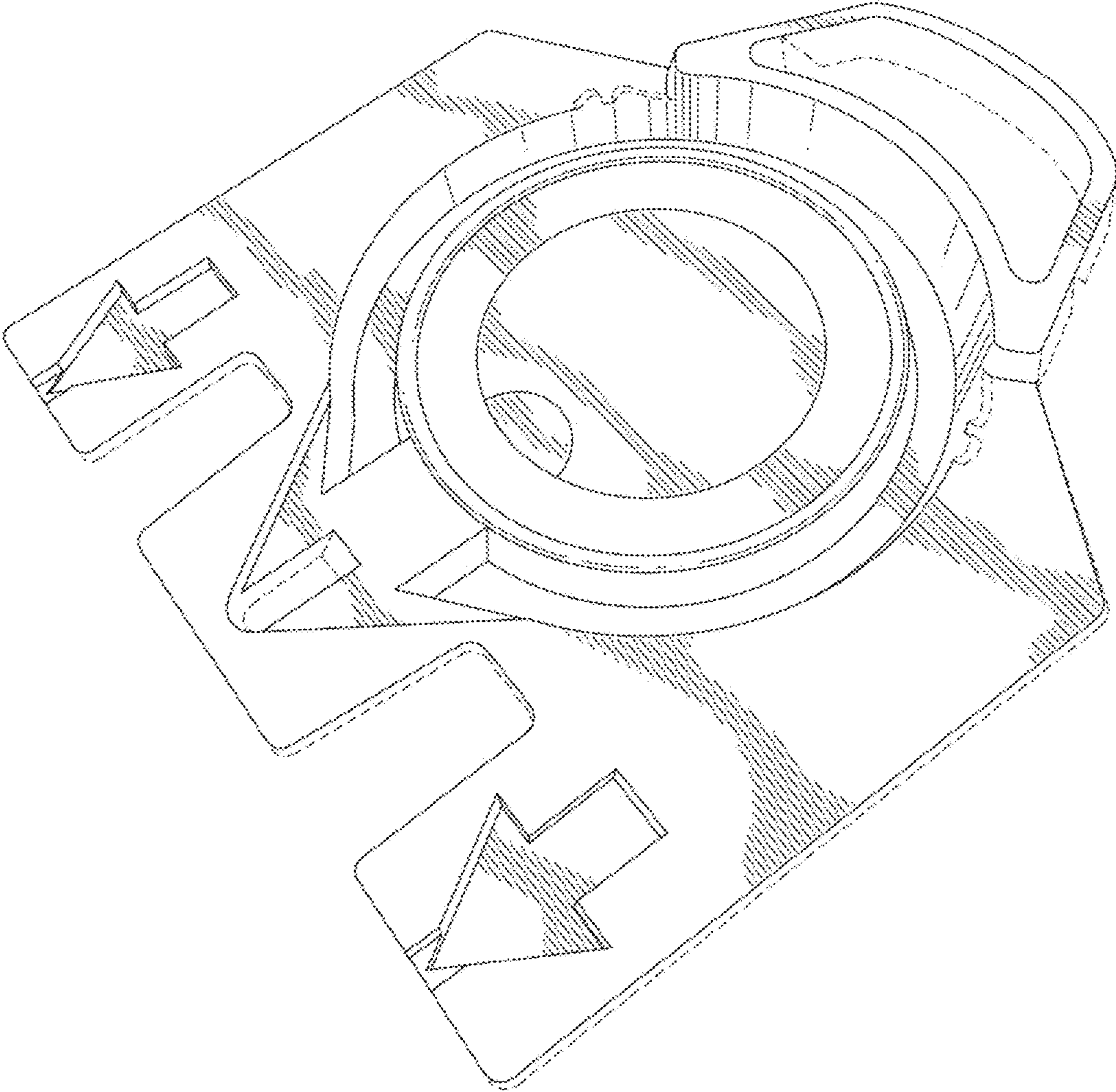


FIG. 2

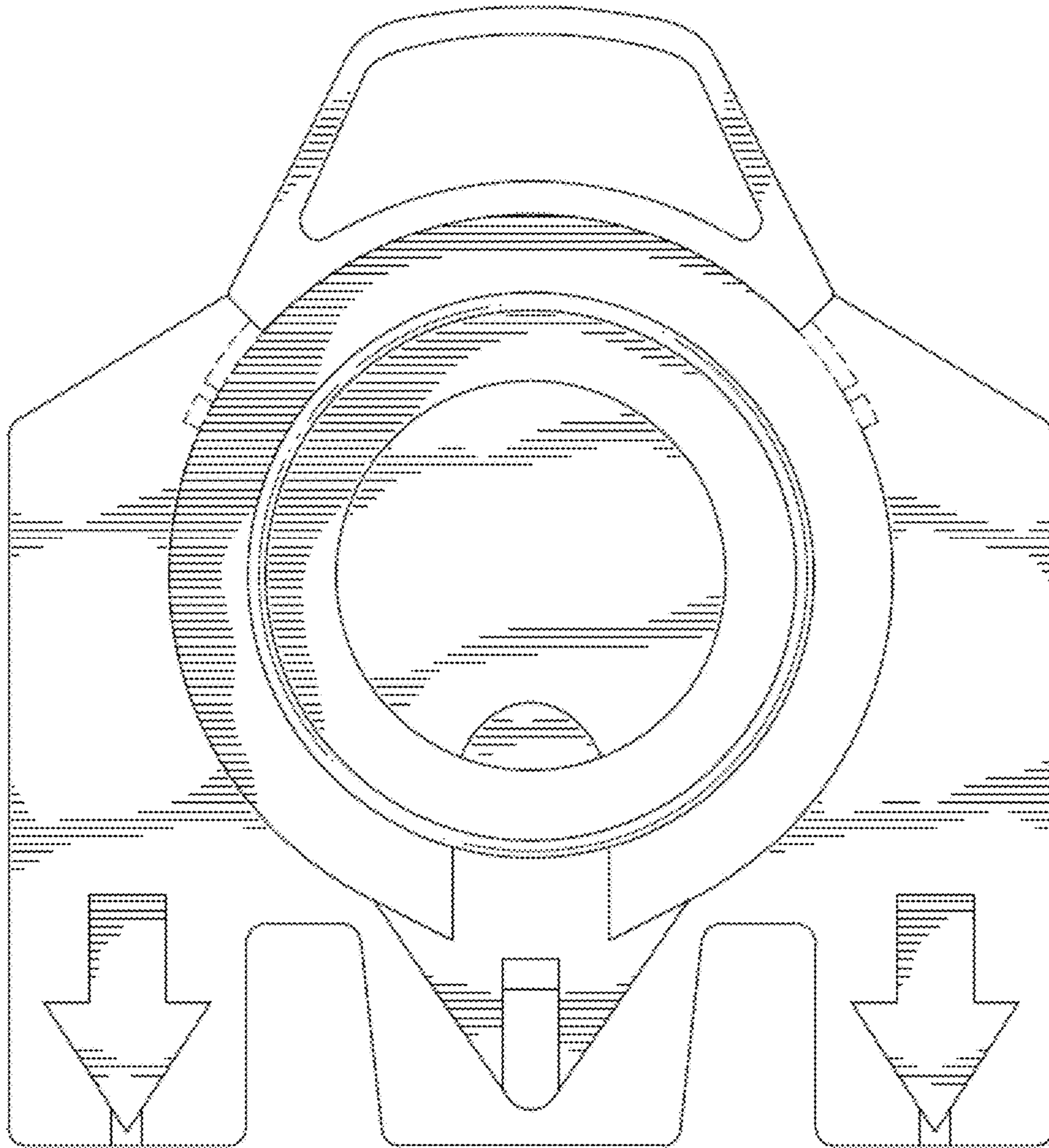


FIG. 3

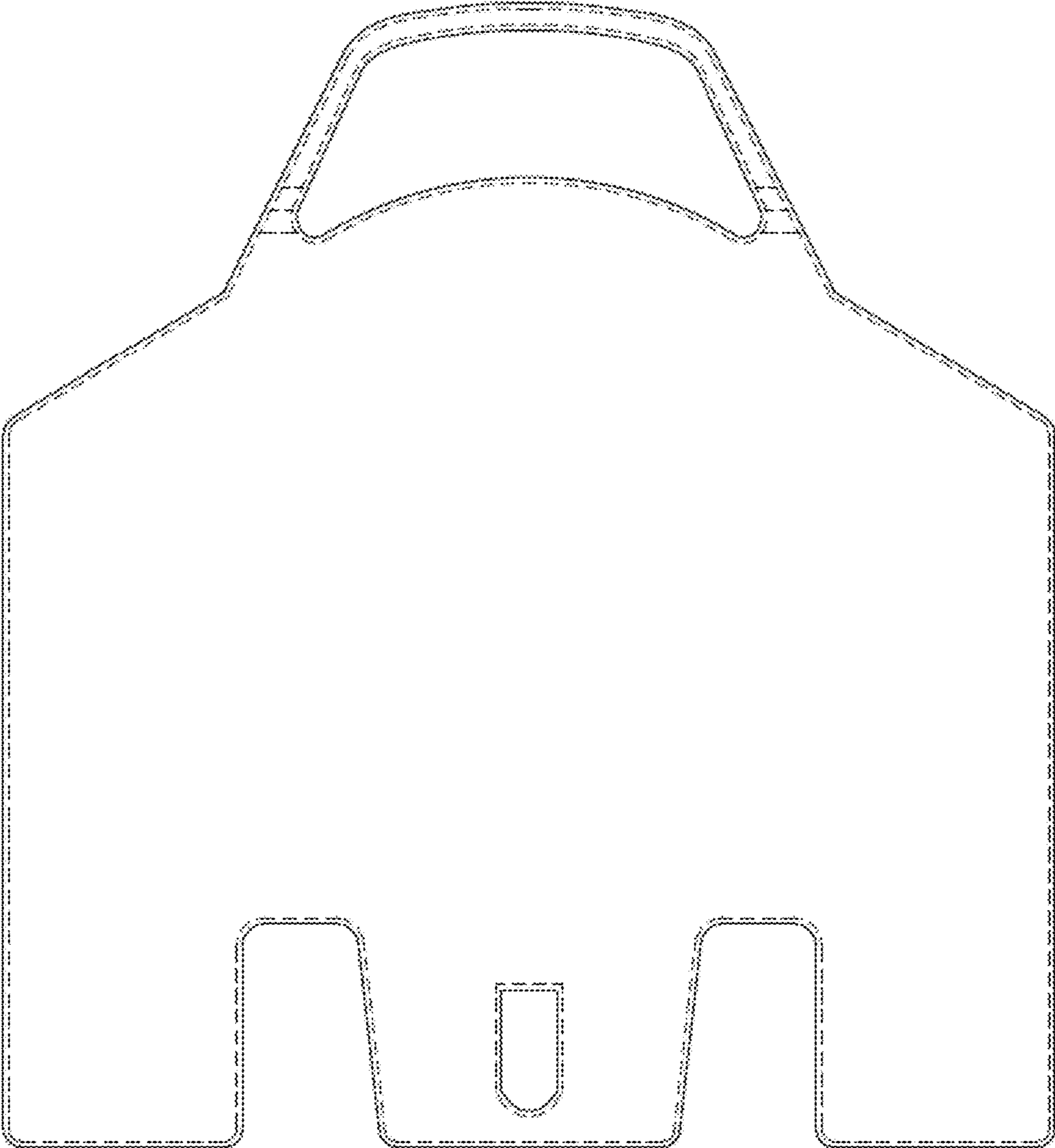


FIG. 4

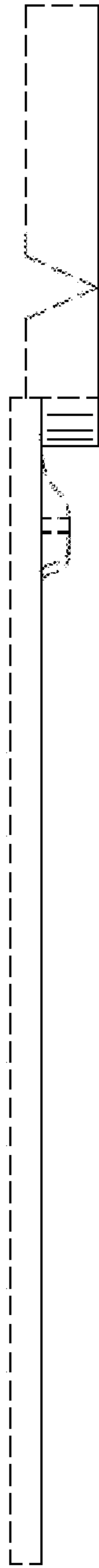


FIG. 5



FIG. 6

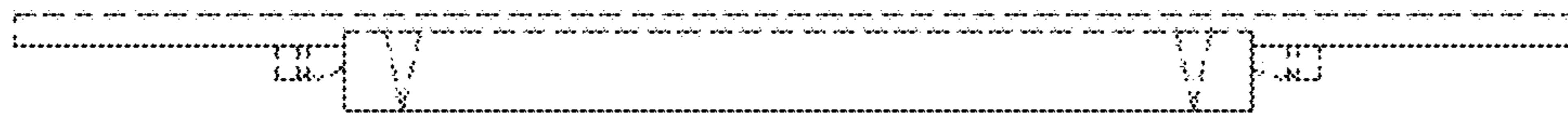


FIG. 7

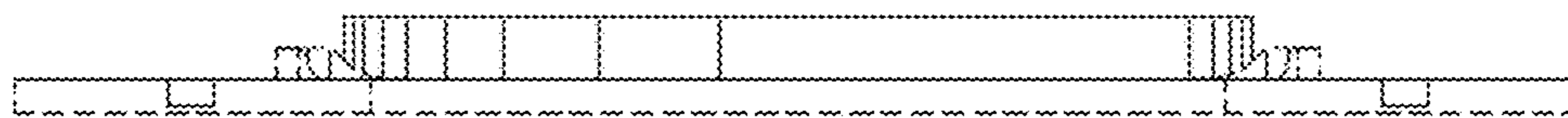


FIG. 8

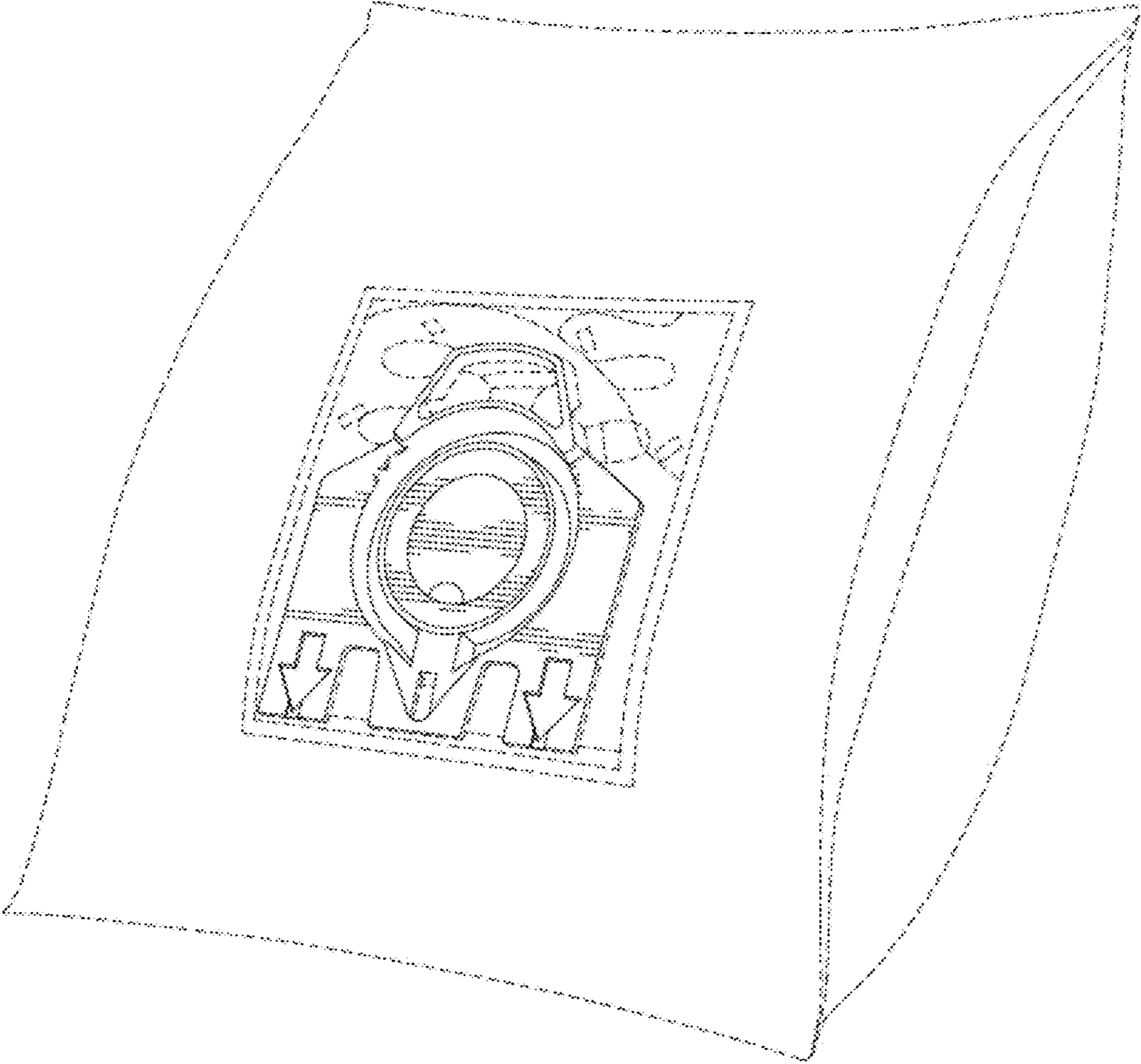


FIG.9