



US00D868404S

(12) **United States Design Patent**
Wall et al.

(10) **Patent No.:** **US D868,404 S**

(45) **Date of Patent:** **** Nov. 26, 2019**

(54) **POWERHEAD FOR WET/DRY VACUUM CLEANER**

D519,251 S 4/2006 Hoshino et al.
D520,689 S 5/2006 Eccardt et al.
D527,504 S * 8/2006 Griffin D32/21

(Continued)

(71) Applicant: **Emerson Electric Co.**, St. Louis, MO (US)

FOREIGN PATENT DOCUMENTS

(72) Inventors: **Alex J. Wall**, St. Louis, MO (US);
Douglas C. Schultz, Glen Carbon, IL (US);
Phuong Le, St. Charles, MO (US)

CA ID87833 S 10/1999
CA ID89522 S 5/2000

(Continued)

(73) Assignee: **Emerson Electric Co.**, St. Louis, MO (US)

Primary Examiner — Ruth McInroy

(74) *Attorney, Agent, or Firm* — Armstrong Teasdale LLP

(**) Term: **15 Years**

(57) **CLAIM**

We claim the ornamental design for a powerhead for wet/dry vacuum cleaner, as shown and described.

(21) Appl. No.: **29/645,934**

DESCRIPTION

(22) Filed: **Apr. 30, 2018**

(51) **LOC (12) Cl.** **15-05**

(52) **U.S. Cl.**
USPC **D32/21**

(58) **Field of Classification Search**
USPC D32/21–23, 31, 34
CPC . A47L 5/362; A47L 5/365; A47L 5/28; A47L 5/32; A47L 5/36; A47L 7/0004; A47L 7/0038; A47L 11/29; A47L 11/30
See application file for complete search history.

FIG. 1 is a front perspective view of a first embodiment of a powerhead for wet/dry vacuum cleaner showing the new design.

FIG. 2 is a front view thereof.

FIG. 3 is a rear view thereof.

FIG. 4 is a right side view thereof.

FIG. 5 is a left side view thereof.

FIG. 6 is a top view thereof.

FIG. 7 is a bottom view thereof.

FIG. 8 is a front perspective view of a second embodiment of a powerhead for wet/dry vacuum cleaner showing the new design.

FIG. 9 is a front view thereof.

FIG. 10 is a rear view thereof.

FIG. 11 is a right side view thereof.

FIG. 12 is a left side view thereof.

FIG. 13 is a top view thereof; and,

FIG. 14 is a bottom view thereof.

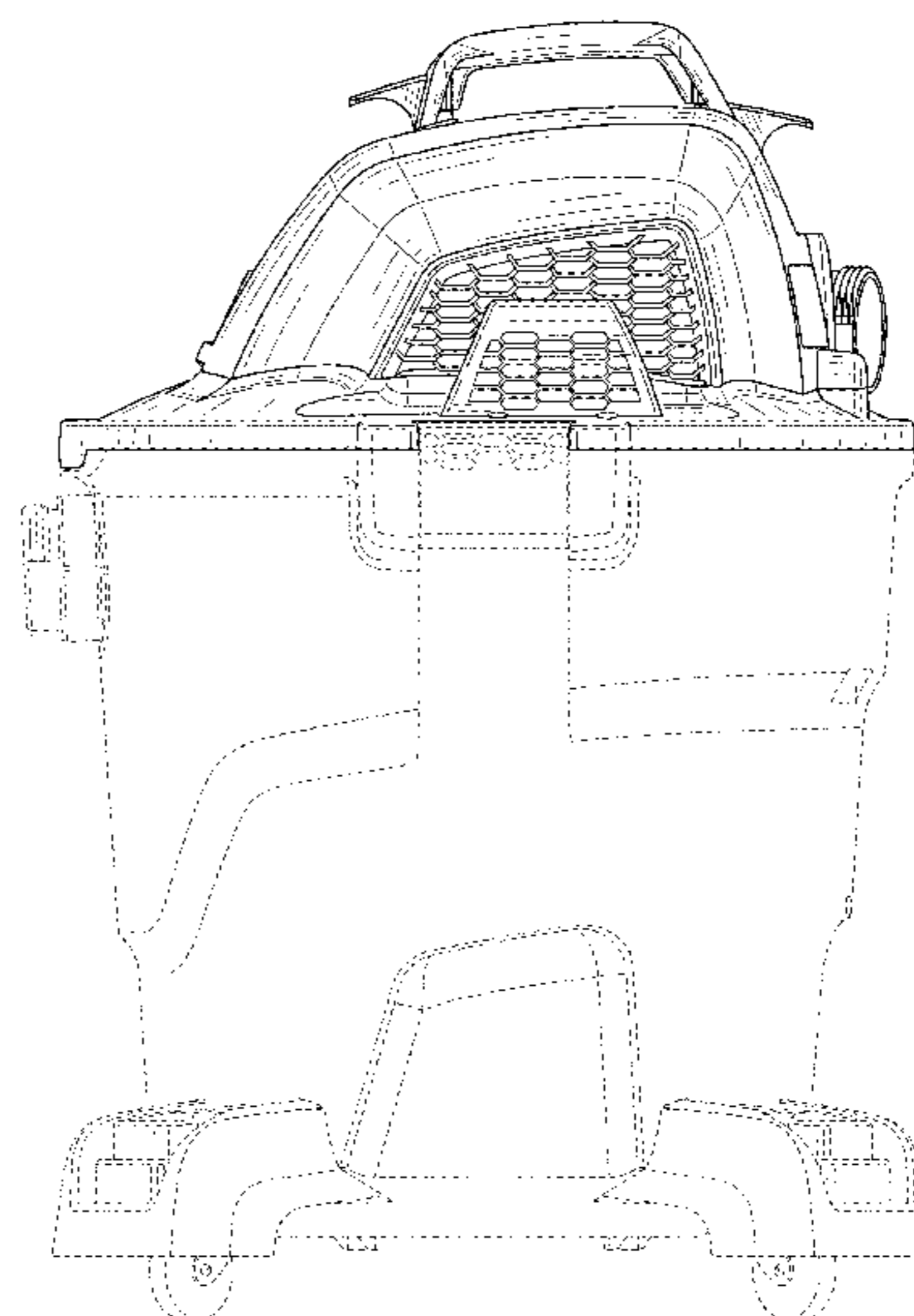
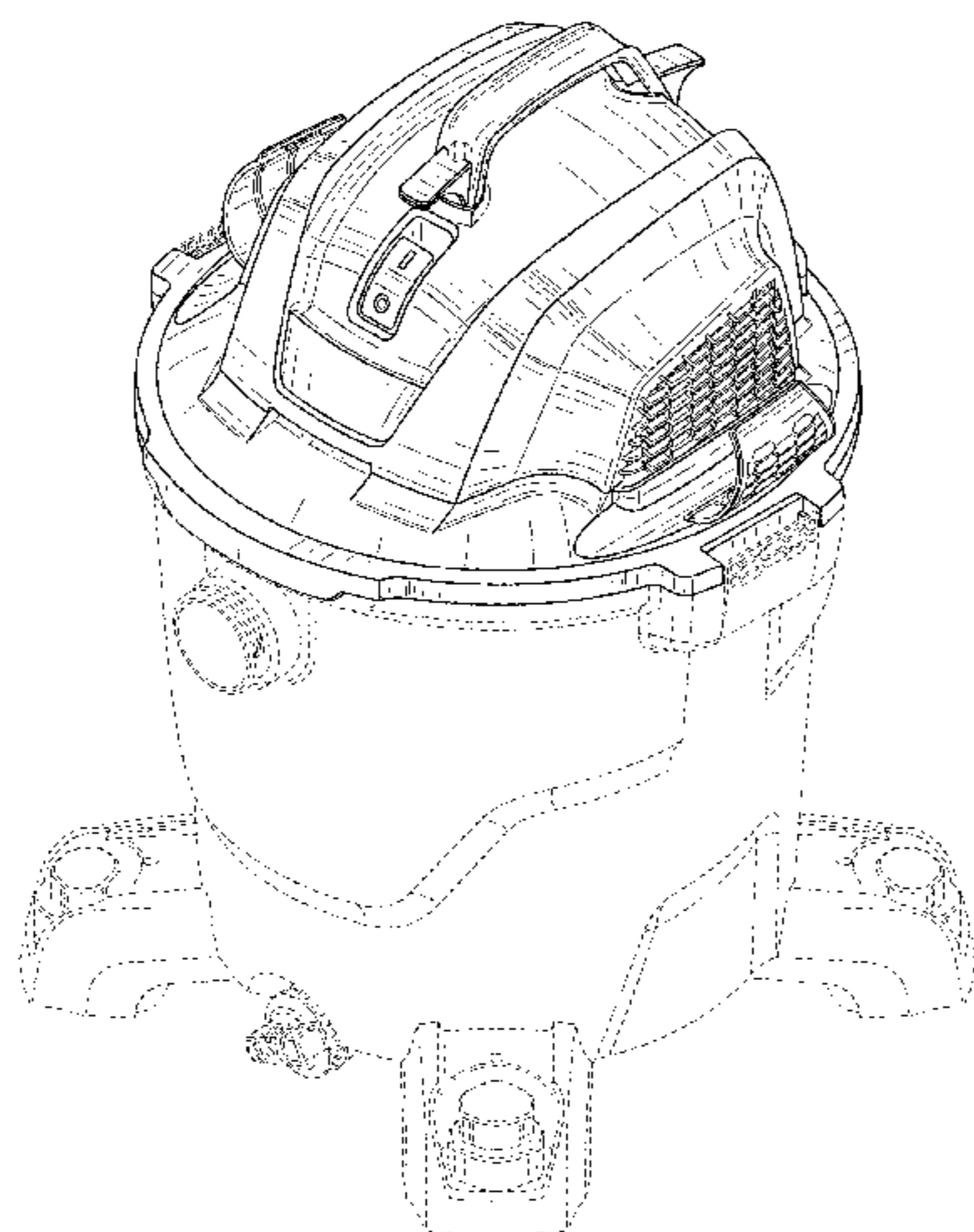
The broken lines throughout the disclosure and the area visible through the openings in FIGS. 3, 4, 10 and 11 form no part of the claimed design.

(56) **References Cited**

U.S. PATENT DOCUMENTS

D362,091 S 9/1995 Tomasiak et al.
D418,643 S 1/2000 Hoshino
D438,353 S 2/2001 Hoshino et al.
D443,739 S 6/2001 Young et al.
D447,609 S 9/2001 Hult et al.
D479,023 S 8/2003 Holsten et al.
D486,280 S 2/2004 Holsten et al.
D492,823 S 7/2004 Hoshino et al.
D492,824 S 7/2004 Tomasiak et al.
D507,386 S * 7/2005 Griffin D32/21

1 Claim, 14 Drawing Sheets



(56)

References Cited

U.S. PATENT DOCUMENTS

D528,255 S * 9/2006 Griffin D32/21
 D528,256 S 9/2006 Beth et al.
 D528,718 S 9/2006 Tomasiak et al.
 D537,992 S 3/2007 Hoshino
 D541,818 S 5/2007 Rhea et al.
 D549,903 S 8/2007 Eccardt et al.
 D551,681 S 9/2007 Rhea et al.
 D558,410 S 12/2007 Hill et al.
 D565,269 S 3/2008 Tomasiak et al.
 D569,066 S * 5/2008 Crevling, Jr. D32/31
 D577,164 S 9/2008 Williams et al.
 D580,115 S 11/2008 Theising et al.
 D595,910 S 7/2009 Hollis et al.
 D596,359 S 7/2009 Hollis et al.
 D614,369 S 4/2010 Theising et al.
 D615,259 S 5/2010 Theising et al.
 D617,514 S 6/2010 Hollis et al.
 D618,870 S * 6/2010 Williams D32/24
 D619,770 S * 7/2010 Moore, Jr. D32/24

D634,494 S 3/2011 Theising et al.
 D638,181 S * 5/2011 Crevling, Jr. D32/31
 D647,260 S 10/2011 Hollis et al.
 D647,261 S 10/2011 Schultz et al.
 D657,101 S 4/2012 Williams et al.
 D666,369 S 8/2012 Williams et al.
 D669,646 S 10/2012 Theising et al.
 D670,046 S 10/2012 Theising et al.
 D670,048 S 10/2012 Theising et al.
 D676,205 S 2/2013 Theising et al.
 D683,090 S * 5/2013 Griffin D32/23
 D683,091 S * 5/2013 Griffin D32/23
 D740,504 S 10/2015 Williams et al.
 D743,655 S 11/2015 Holsten et al.
 D806,332 S * 12/2017 Griffin D32/21
 D834,775 S * 11/2018 Griffin D32/21

FOREIGN PATENT DOCUMENTS

CA ID89523 S 5/2000
 CA ID90731 S 10/2000

* cited by examiner

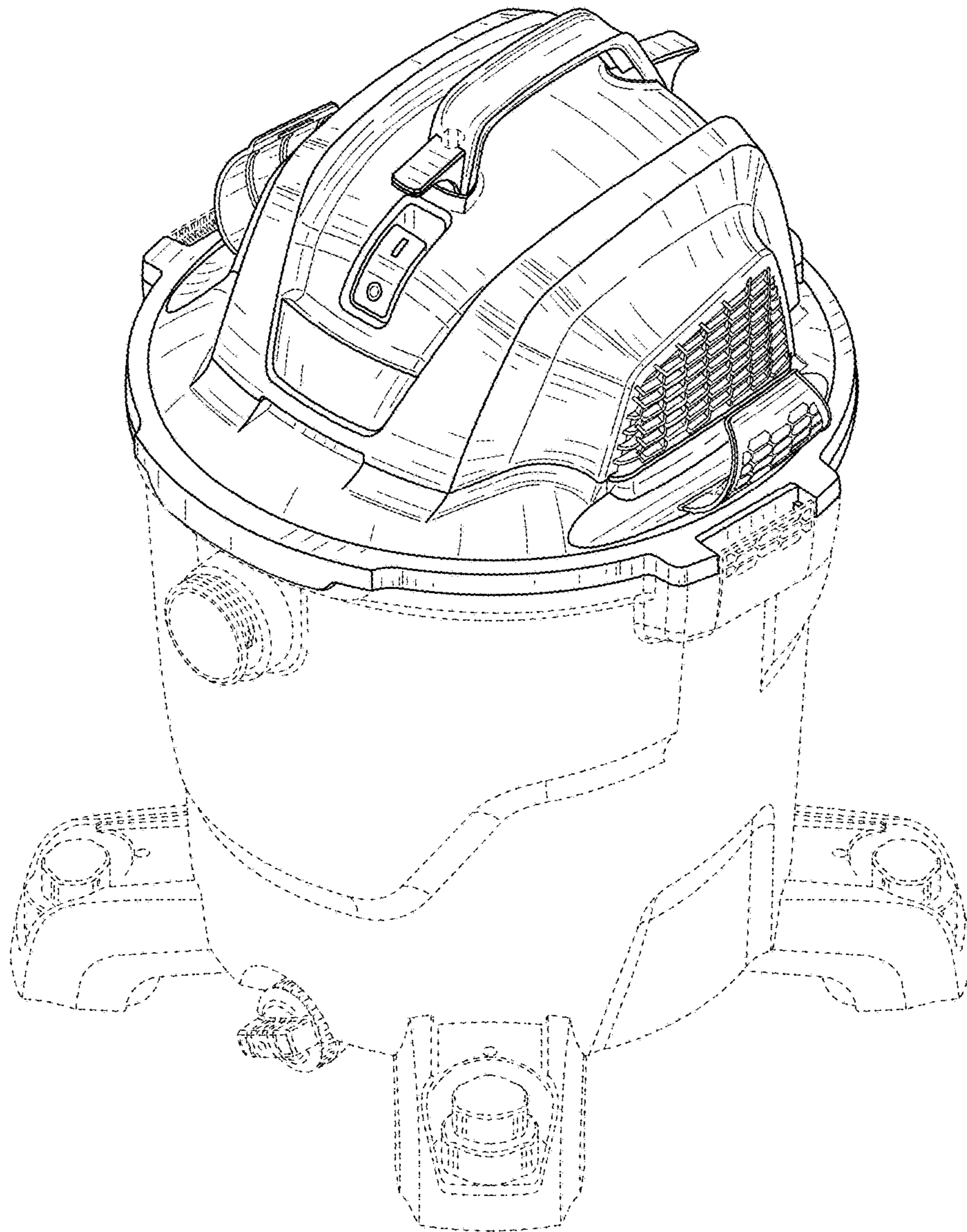


FIG. 1

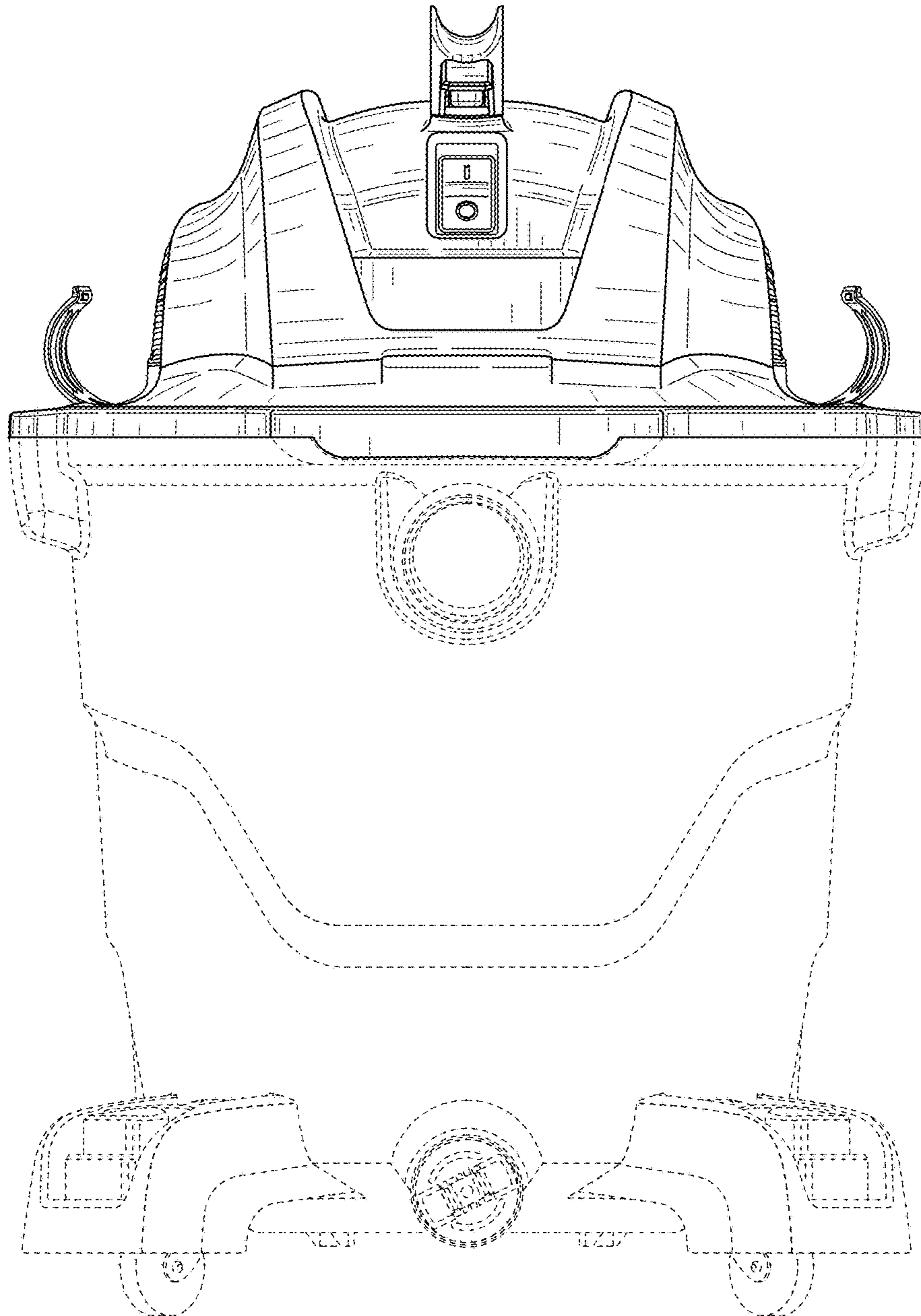


FIG. 2

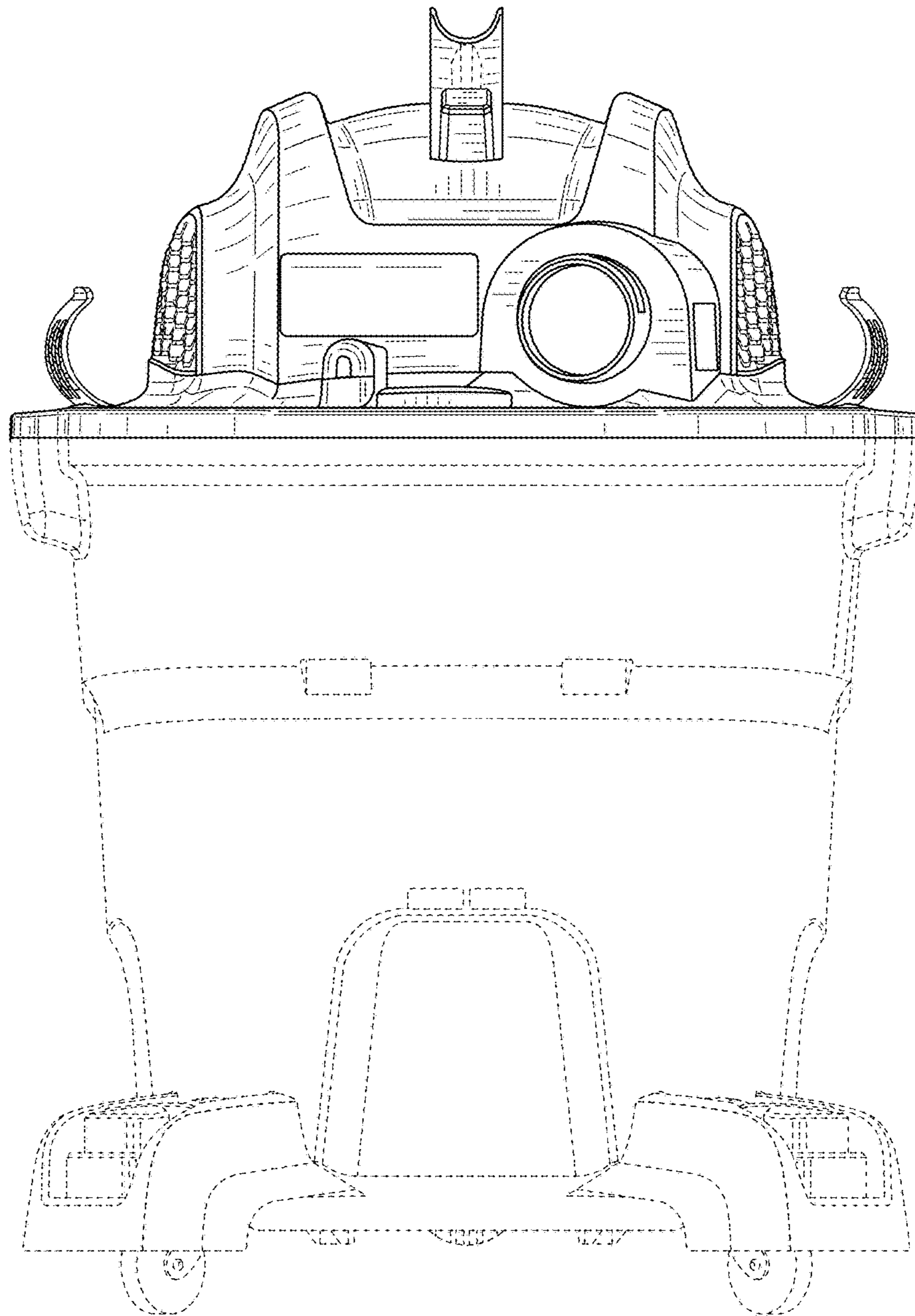


FIG. 3

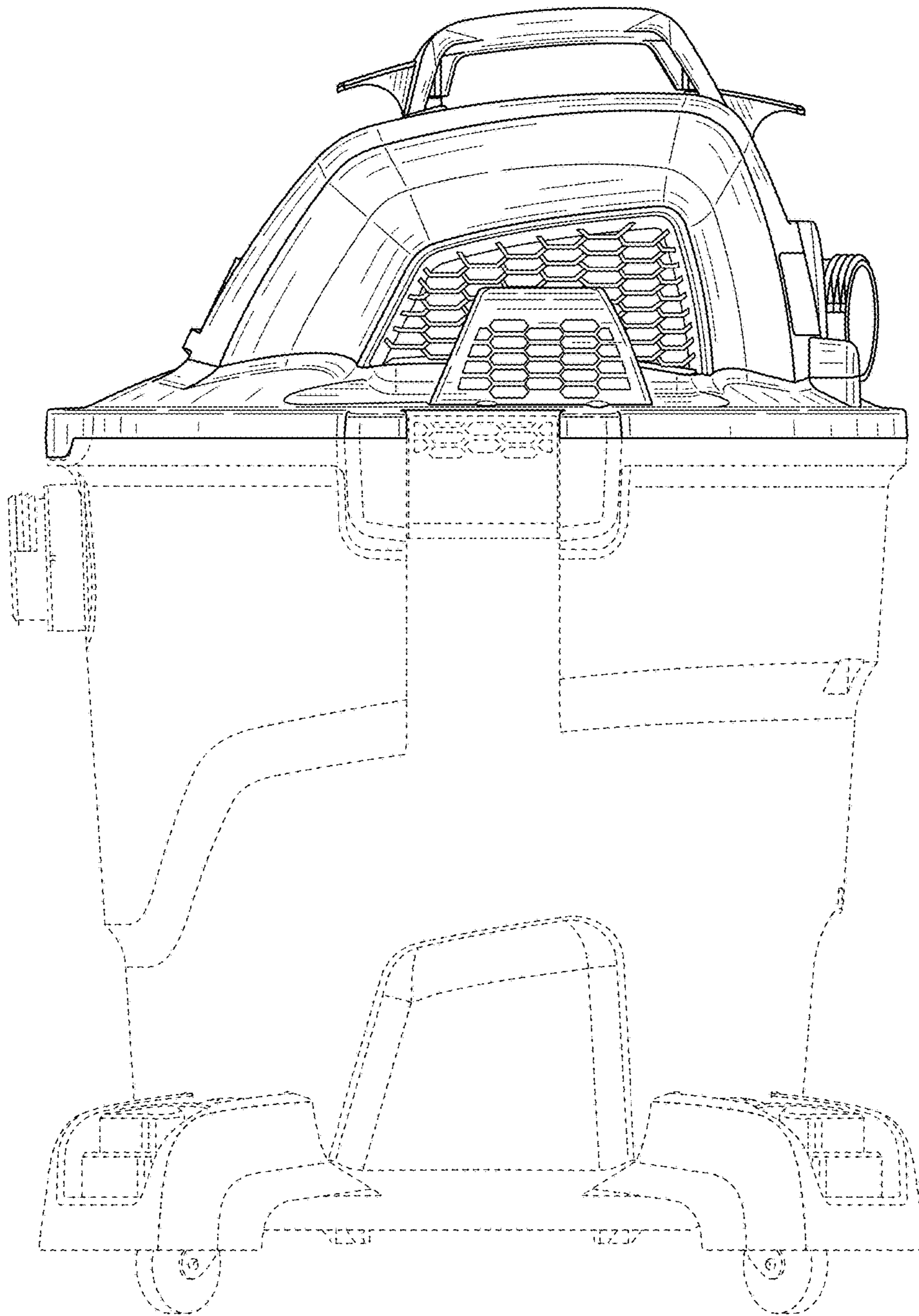


FIG. 4

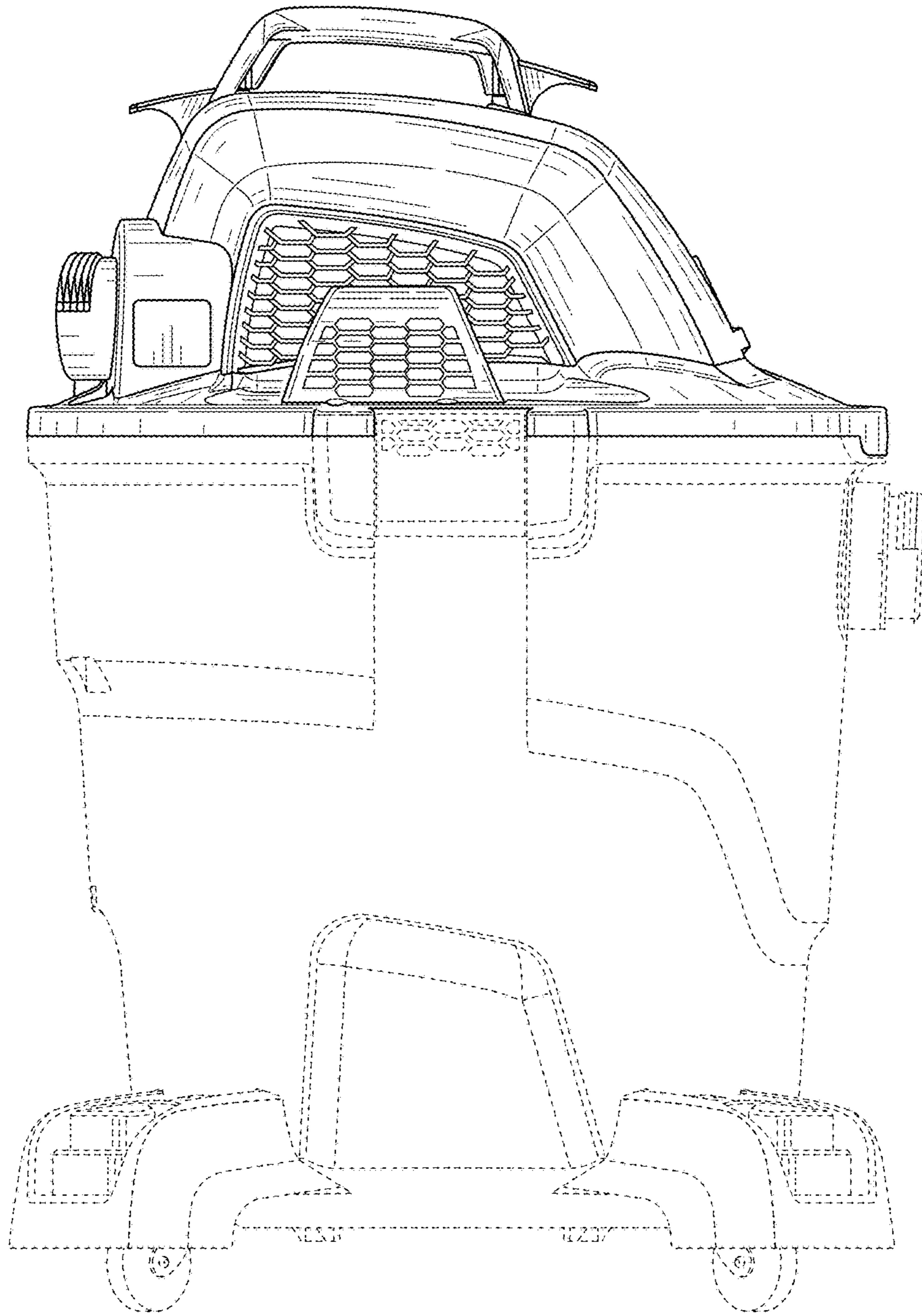


FIG. 5

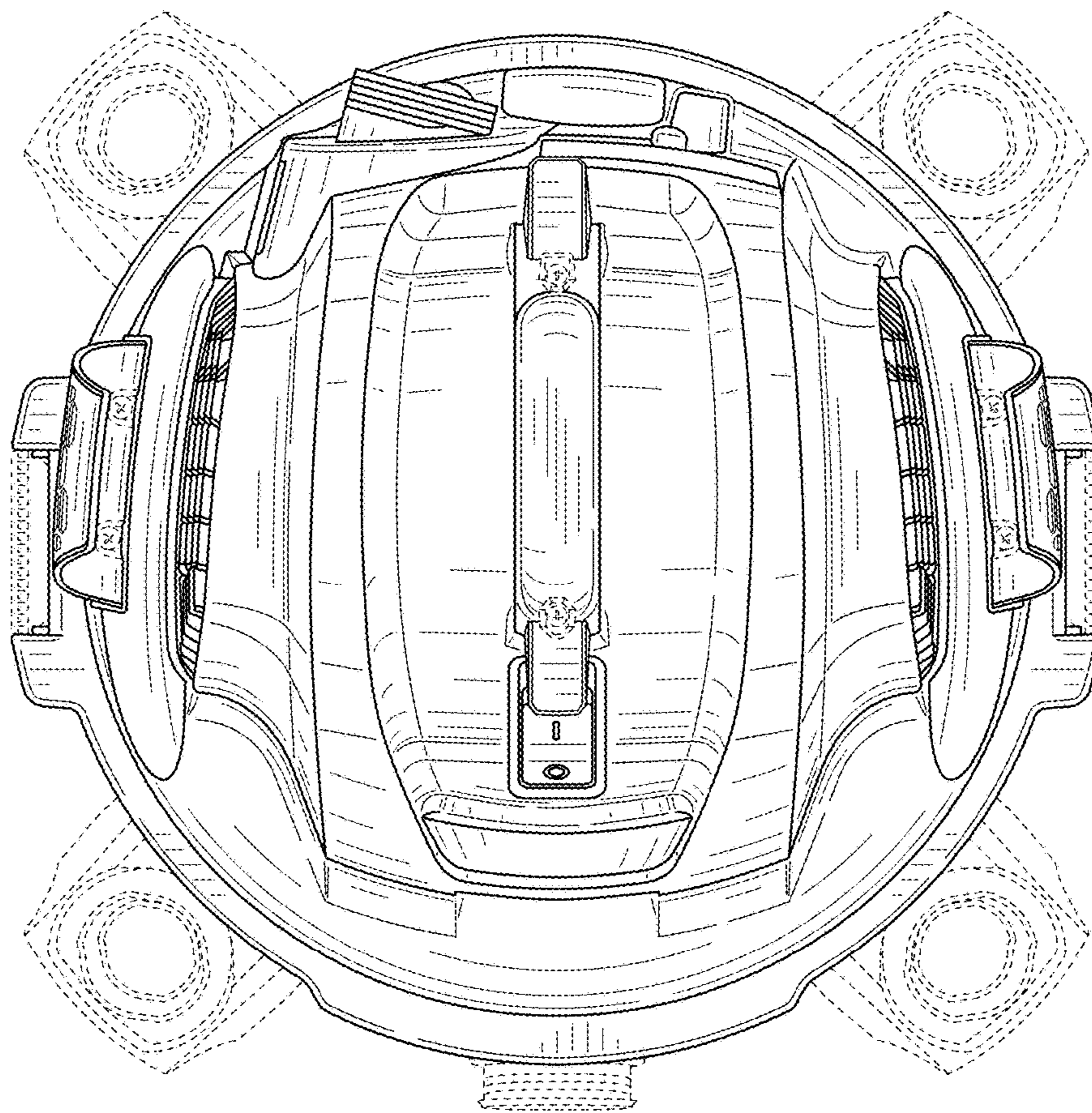


FIG. 6

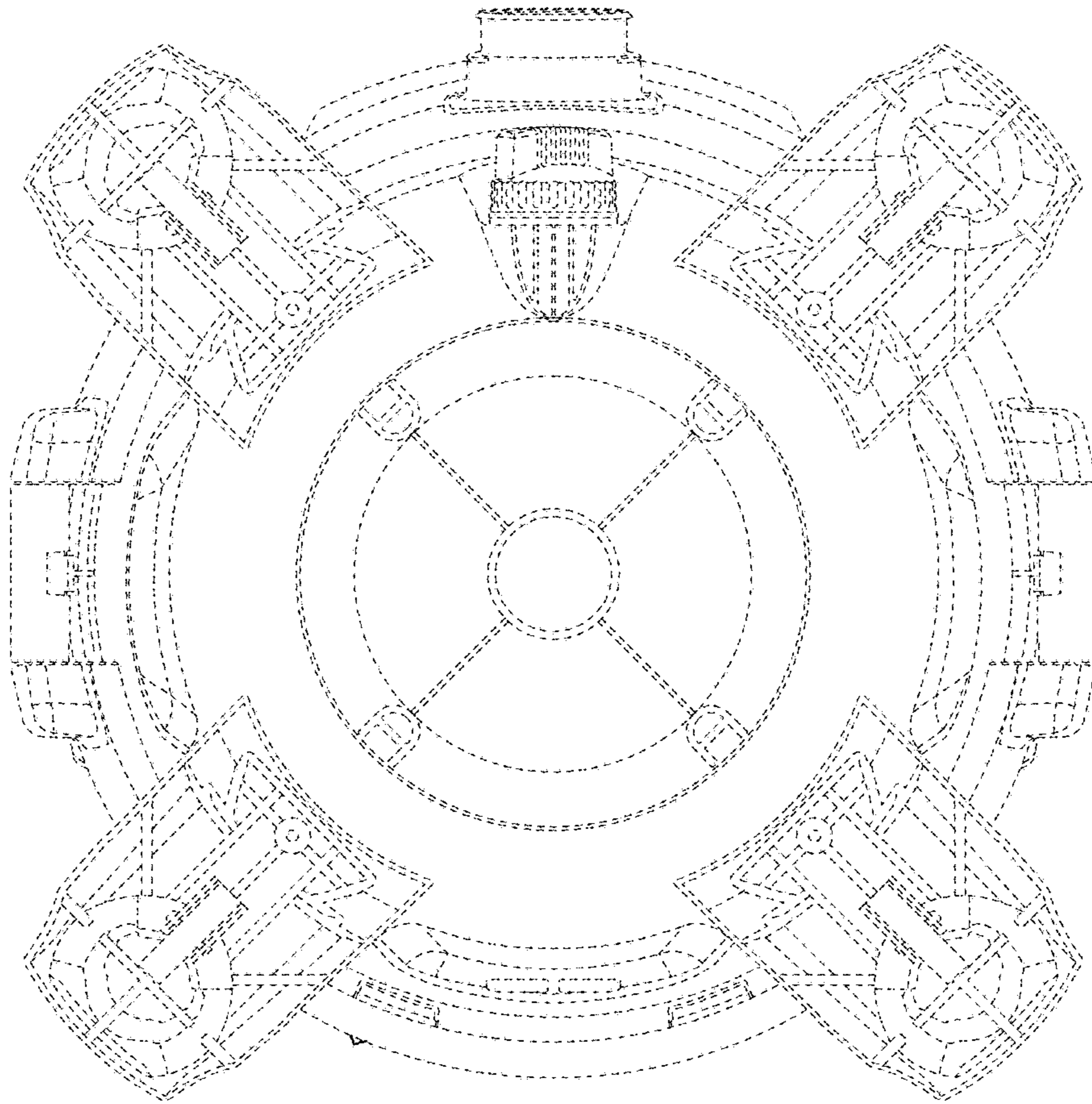


FIG. 7

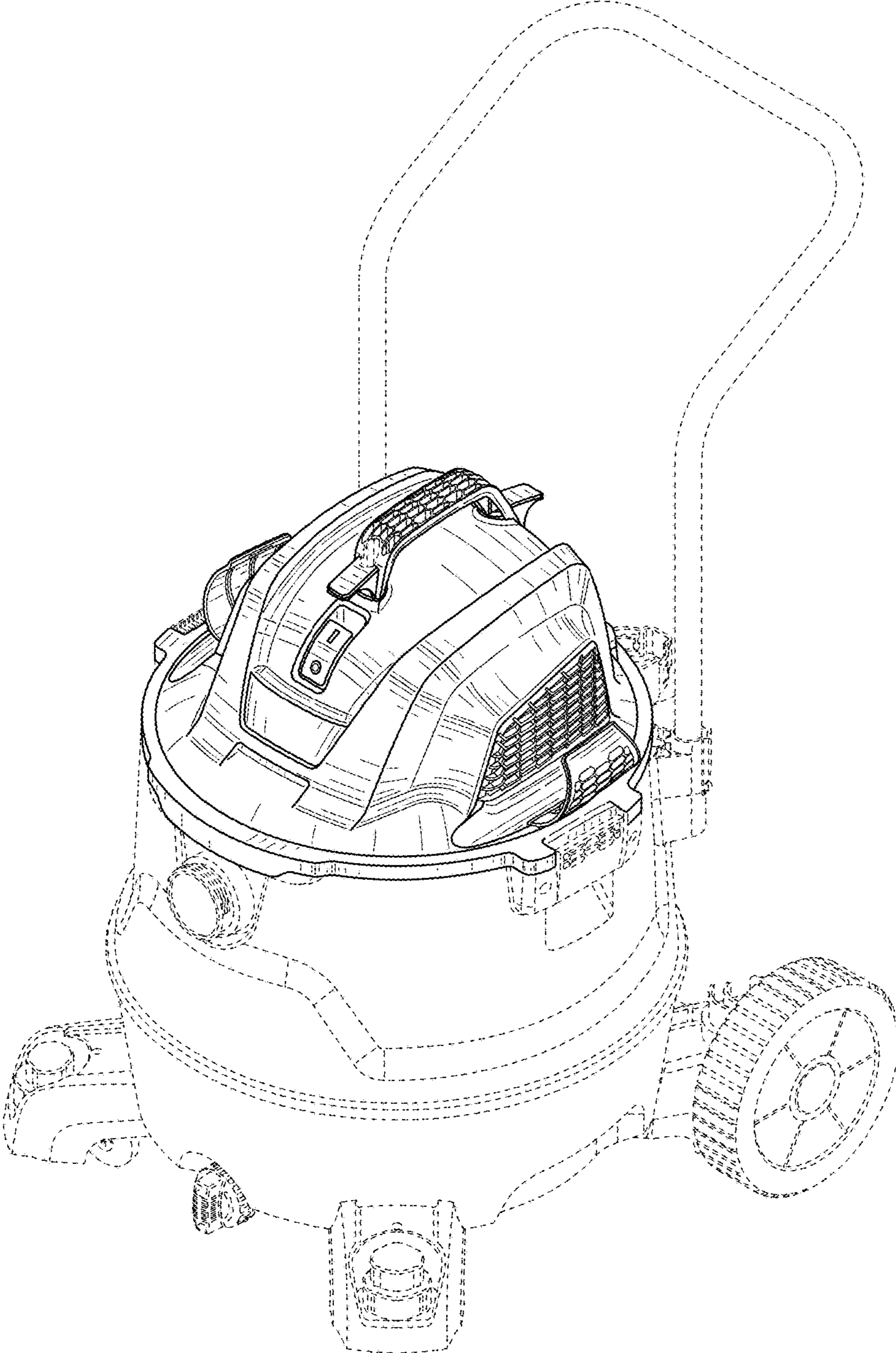


FIG. 8

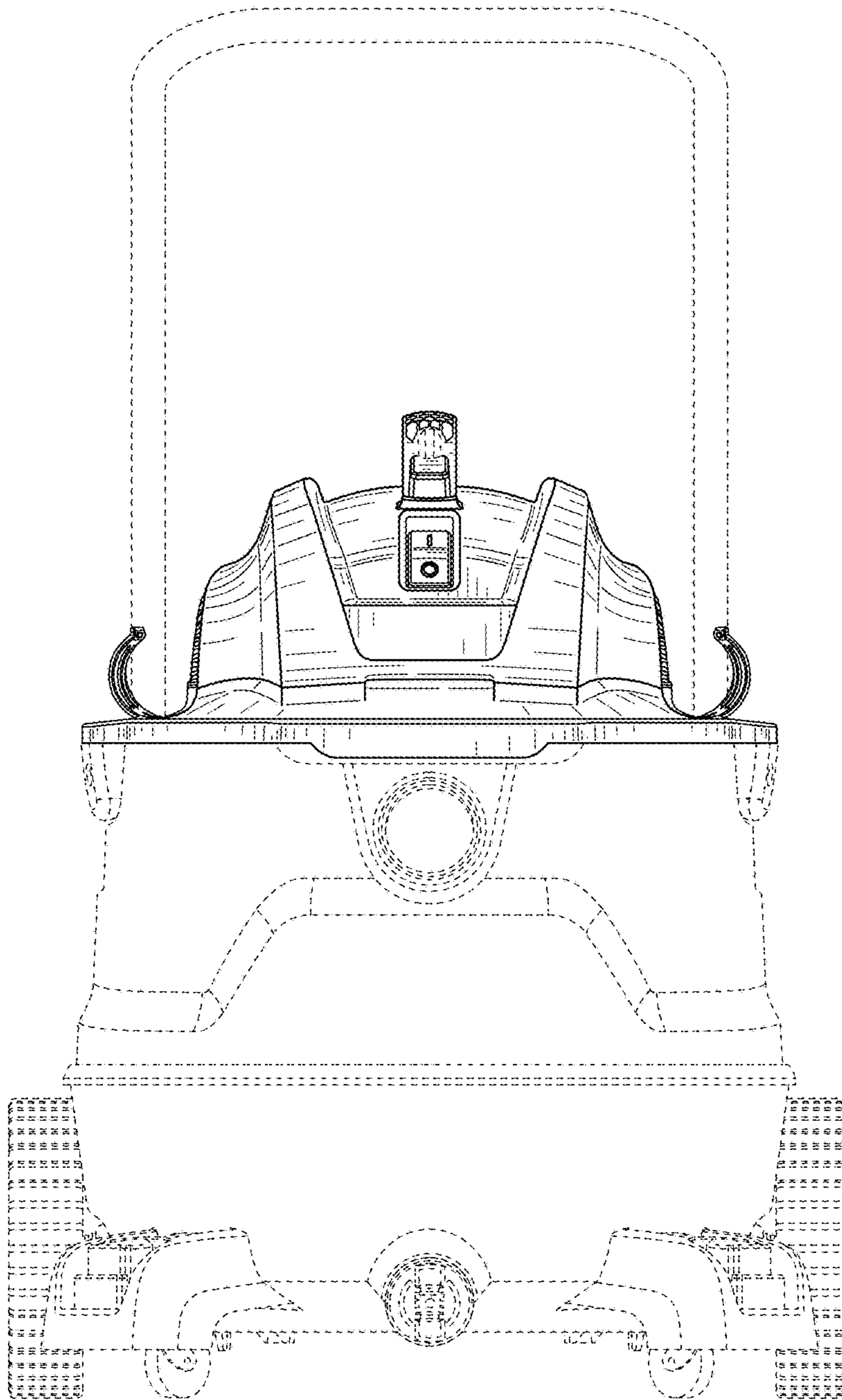


FIG. 9

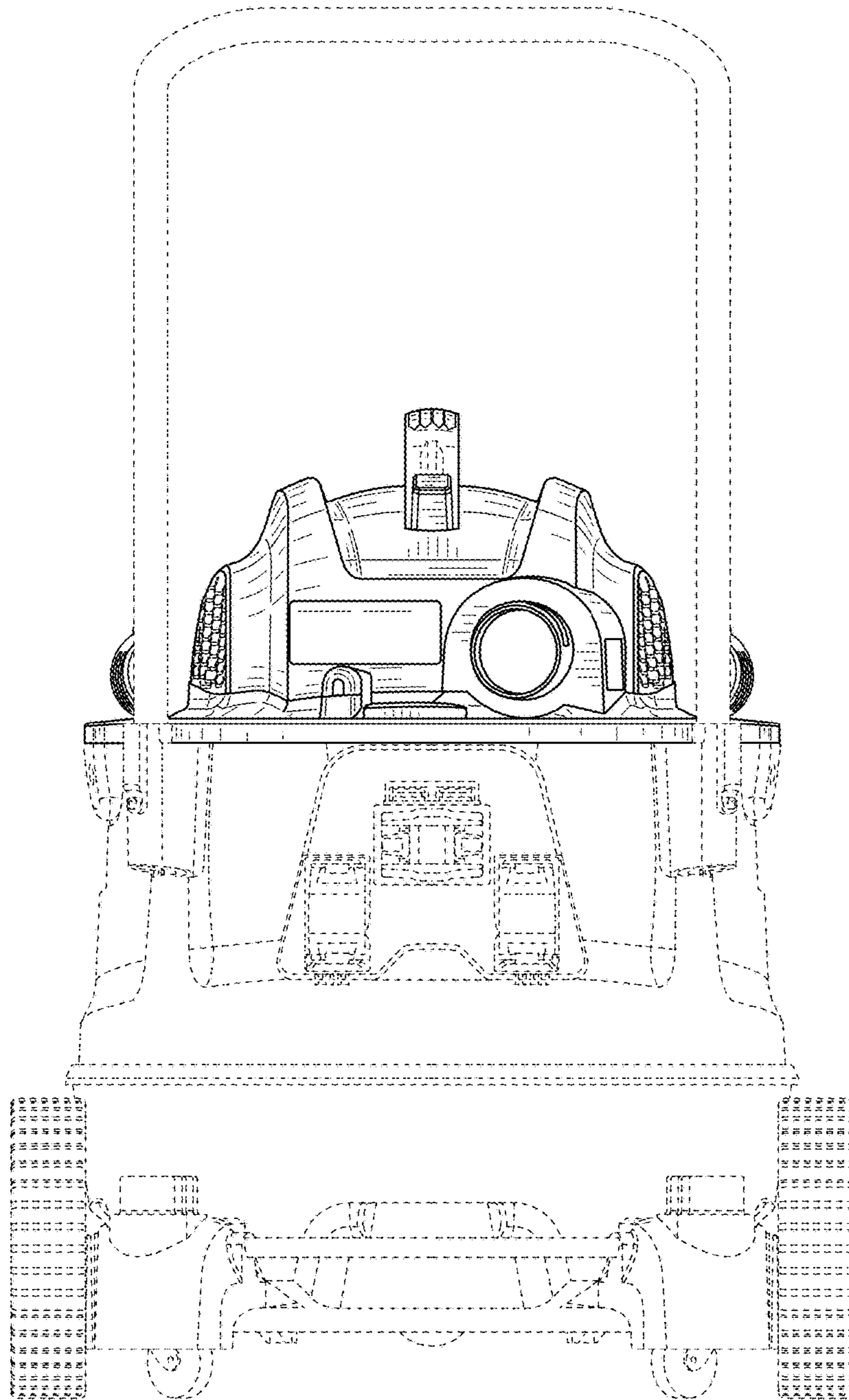


FIG. 10

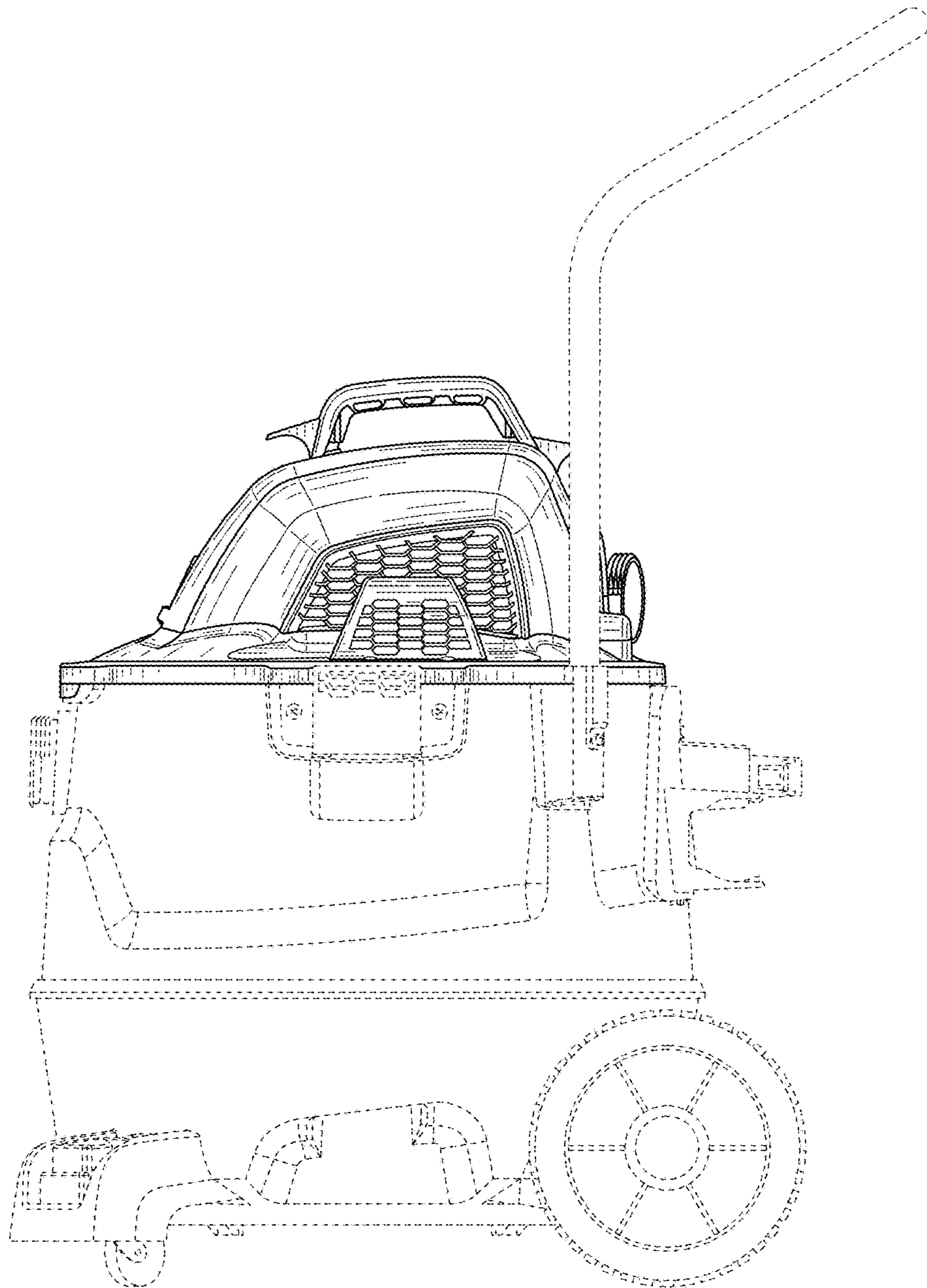


FIG. 11

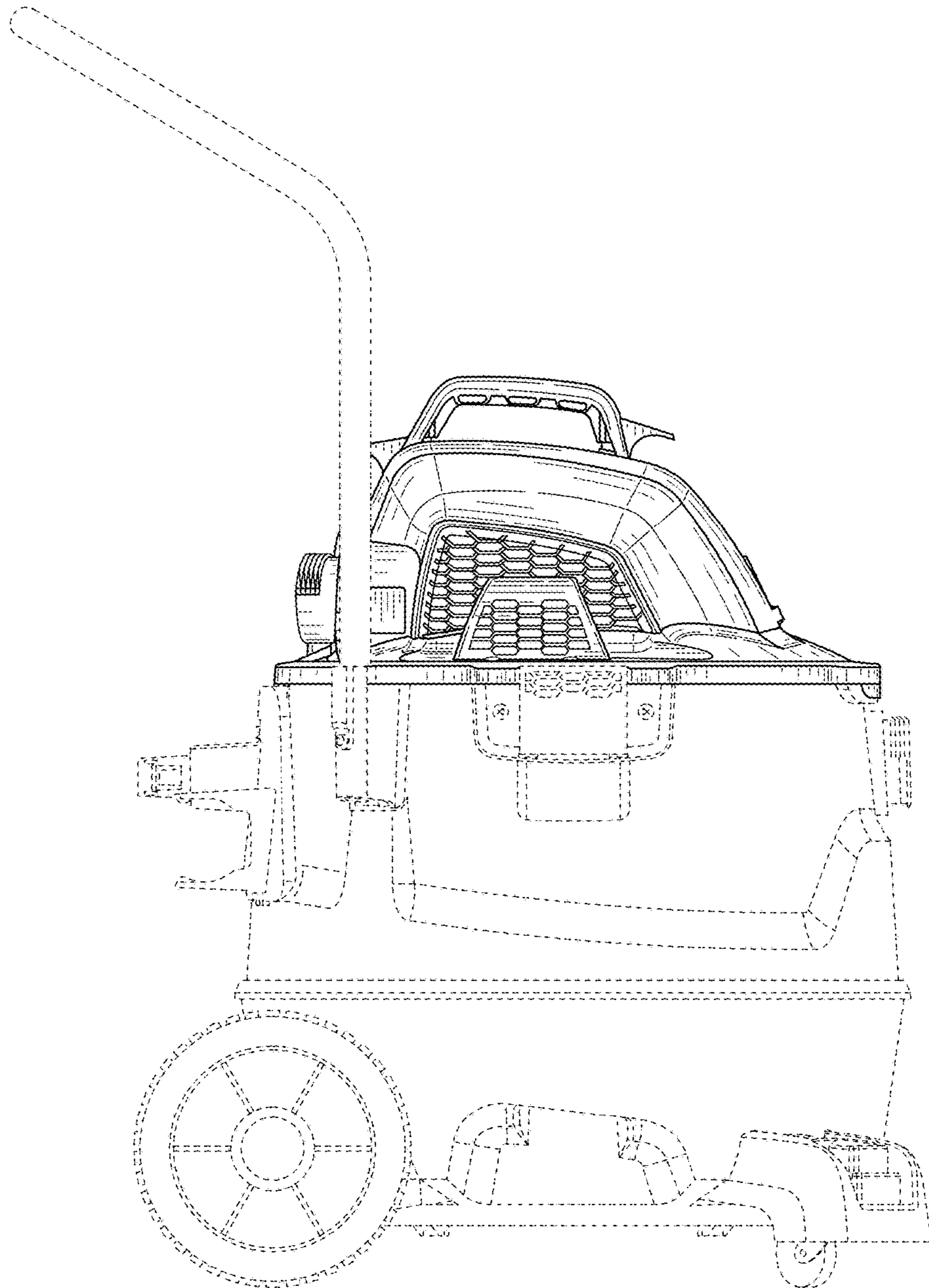


FIG. 12

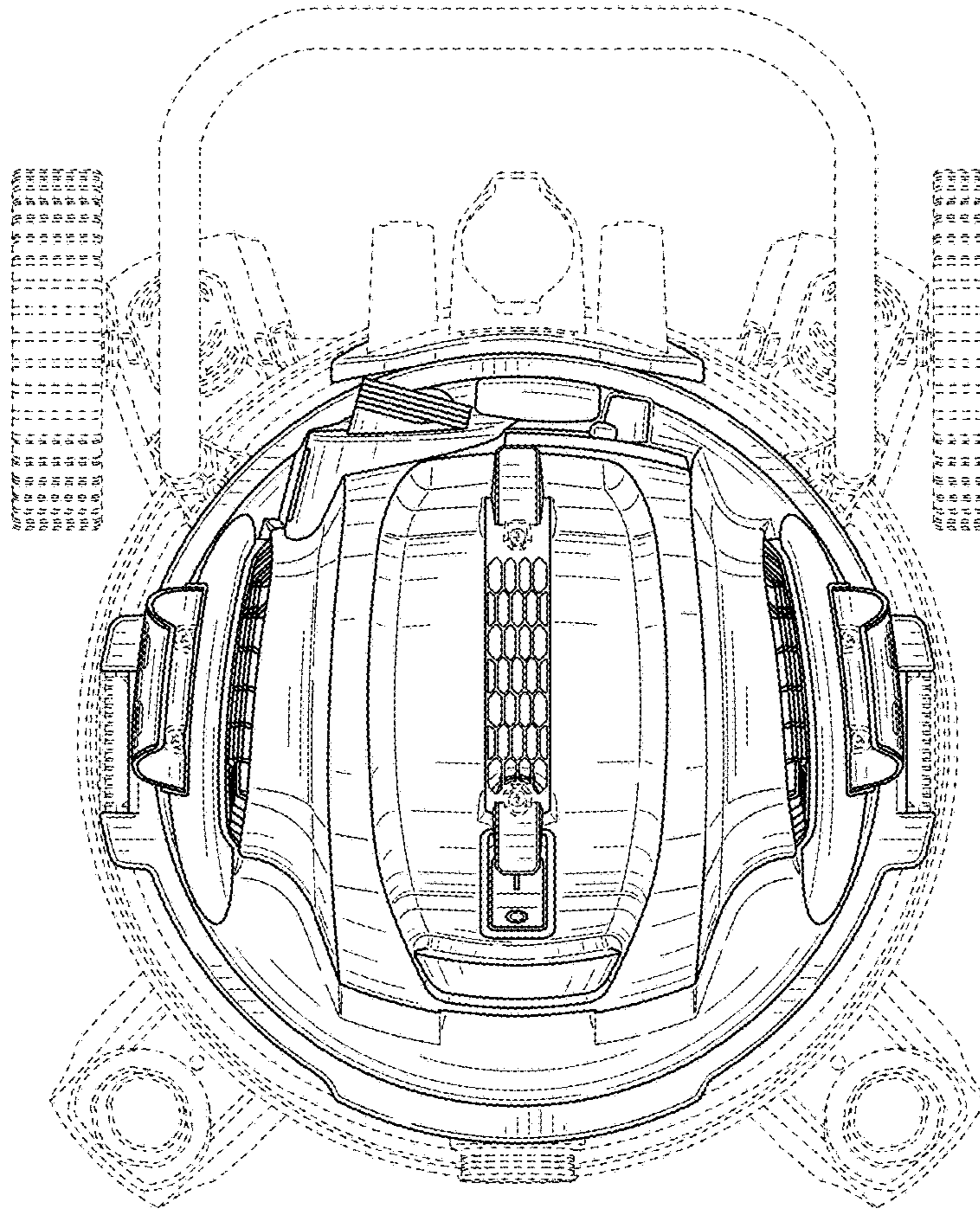


FIG. 13

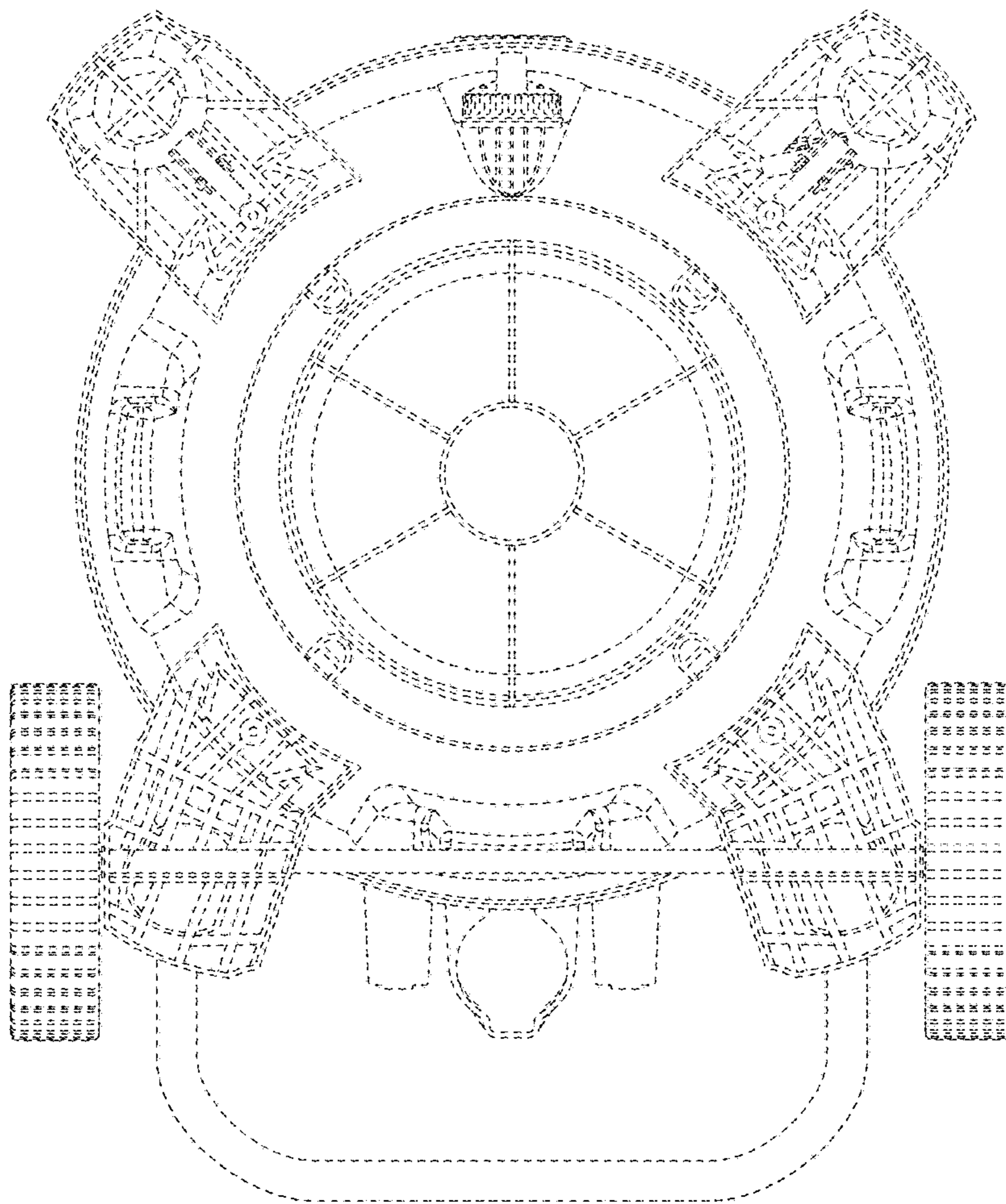


FIG. 14