



US00D868399S

(12) **United States Design Patent** (10) **Patent No.:** **US D868,399 S**
Tinius (45) **Date of Patent:** **** Nov. 26, 2019**

(54) **CORDLESS BLOWER**
(71) Applicant: **Andreas Stihl AG & Co. KG**,
Waiblingen (DE)
(72) Inventor: **Michael Tinius**, Ulm (DE)
(73) Assignee: **Andreas Stihl AG & Co. KG**,
Waiblingen (DE)
(**) Term: **15 Years**
(21) Appl. No.: **29/661,768**

D584,461 S * 1/2009 Sweeney D32/15
D594,961 S * 6/2009 Tinius
D604,917 S * 11/2009 Tinius
D615,716 S * 5/2010 Tinius
D637,774 S * 5/2011 Li D32/15
D662,951 S * 7/2012 Tinius D15/15
D668,822 S * 10/2012 Tinius D32/15
D698,106 S * 1/2014 Crawley D32/15
D711,056 S * 8/2014 Crawley D15/12
D711,057 S * 8/2014 Crawley D15/12
D719,307 S * 12/2014 Carl D15/12
D735,960 S * 8/2015 Zhang D32/15
D741,917 S * 10/2015 Tinius
D748,877 S * 2/2016 Tirone D15/12
D798,513 S * 9/2017 Tinius

(Continued)

(22) Filed: **Aug. 30, 2018**
(30) **Foreign Application Priority Data**

Mar. 2, 2018 (EM) 004735561-0002

(51) **LOC (12) Cl.** **15-05**
(52) **U.S. Cl.**
USPC **D32/15; D15/12**

(58) **Field of Classification Search**
USPC D15/11, 12; D12/2, 231, 340-343;
D32/15, 16, 17, 18, 21, 25, 1, 5, 12;
D23/383, 370, 213; 15/300.1, 344, 345
CPC ... A47L 5/14; A47L 9/32; A01G 1/125; F04B
17/00; F04B 35/04
See application file for complete search history.

(56) **References Cited**
U.S. PATENT DOCUMENTS

D400,322 S * 10/1998 Webster D32/15
D461,604 S * 8/2002 Martin D32/15
D471,680 S * 3/2003 Tokumaru D32/15
D480,844 S * 10/2003 Noma D32/15
D498,885 S * 11/2004 Robson D32/15
D556,395 S * 11/2007 Martin D32/15
D569,055 S * 5/2008 Bochmann D32/15
D577,113 S * 9/2008 Tinius
D584,460 S * 1/2009 Sweeney D32/15

Primary Examiner — Mark A Goodwin
(74) Attorney, Agent, or Firm — McGuireWoods LLP

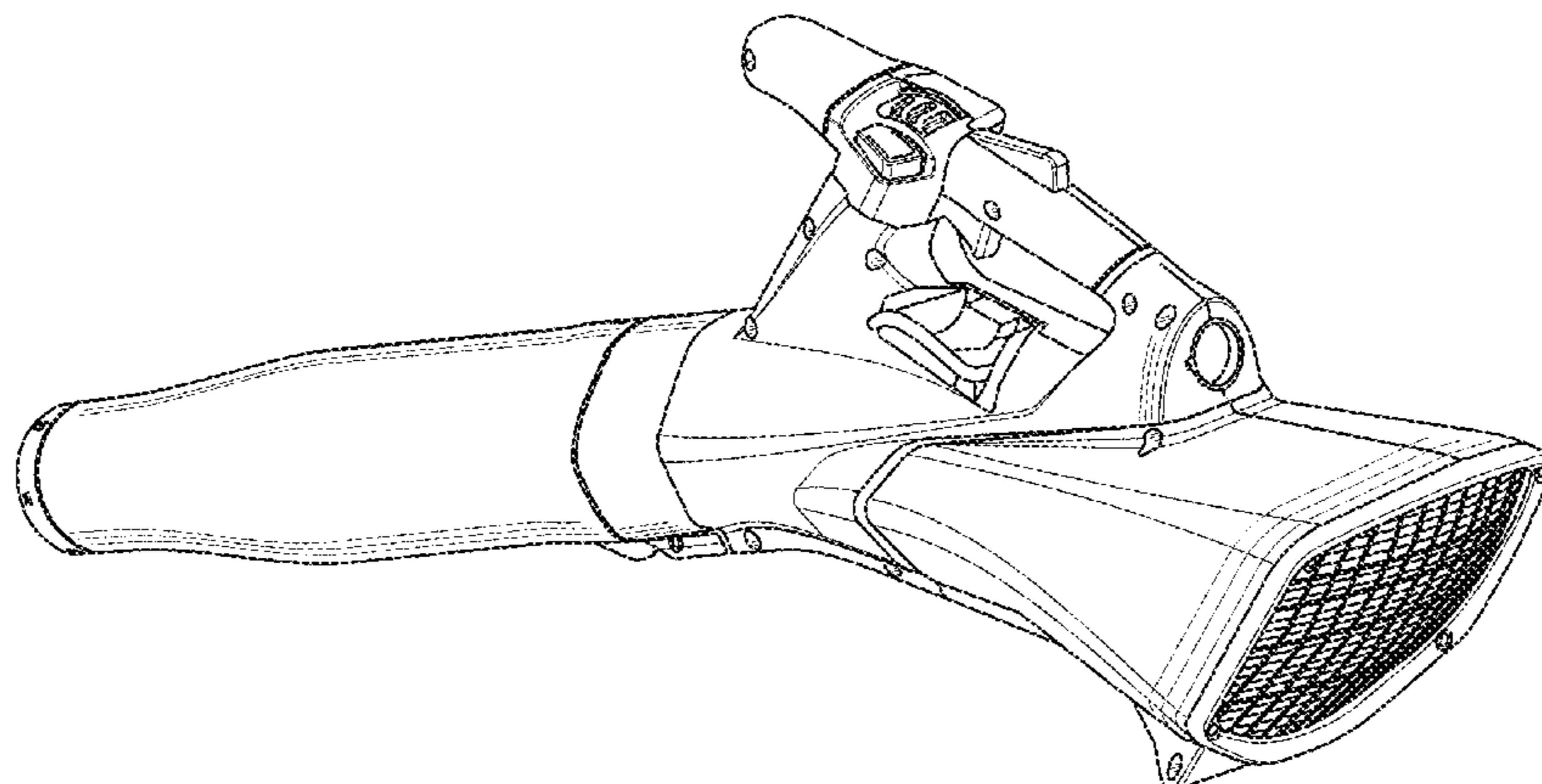
(57) **CLAIM**

I claim the ornamental design for a cordless blower, as shown and described.

DESCRIPTION

FIG. 1 is a left perspective view of the cordless blower; FIG. 2 is a front view of the cordless blower shown in FIG. 1; FIG. 3 is a rear view of the cordless blower shown in FIG. 1; FIG. 4 is a left side view of the cordless blower shown in FIG. 1; FIG. 5 is a right side view of the cordless blower shown in FIG. 1; FIG. 6 is a top view of the cordless blower shown in FIG. 1; and, FIG. 7 is a bottom view of the cordless blower shown in FIG. 1. The subject matter shown in dashed lines, and any surfaces of the design not shown, including interior surfaces, form no part of the claimed invention.

1 Claim, 7 Drawing Sheets



(56)

References Cited

U.S. PATENT DOCUMENTS

D800,400	S	10/2017	Tinius	
D809,227	S	1/2018	Tinius	
D834,270	S *	11/2018	Naslund D32/15
D834,271	S *	11/2018	Naslund D32/15
2002/0108211	A1 *	8/2002	Svoboda A47L 5/14 15/405
2003/0233730	A1 *	12/2003	Sanders A47L 5/14 15/405
2008/0148513	A1 *	6/2008	Shaffer E01H 1/0809 15/405

* cited by examiner

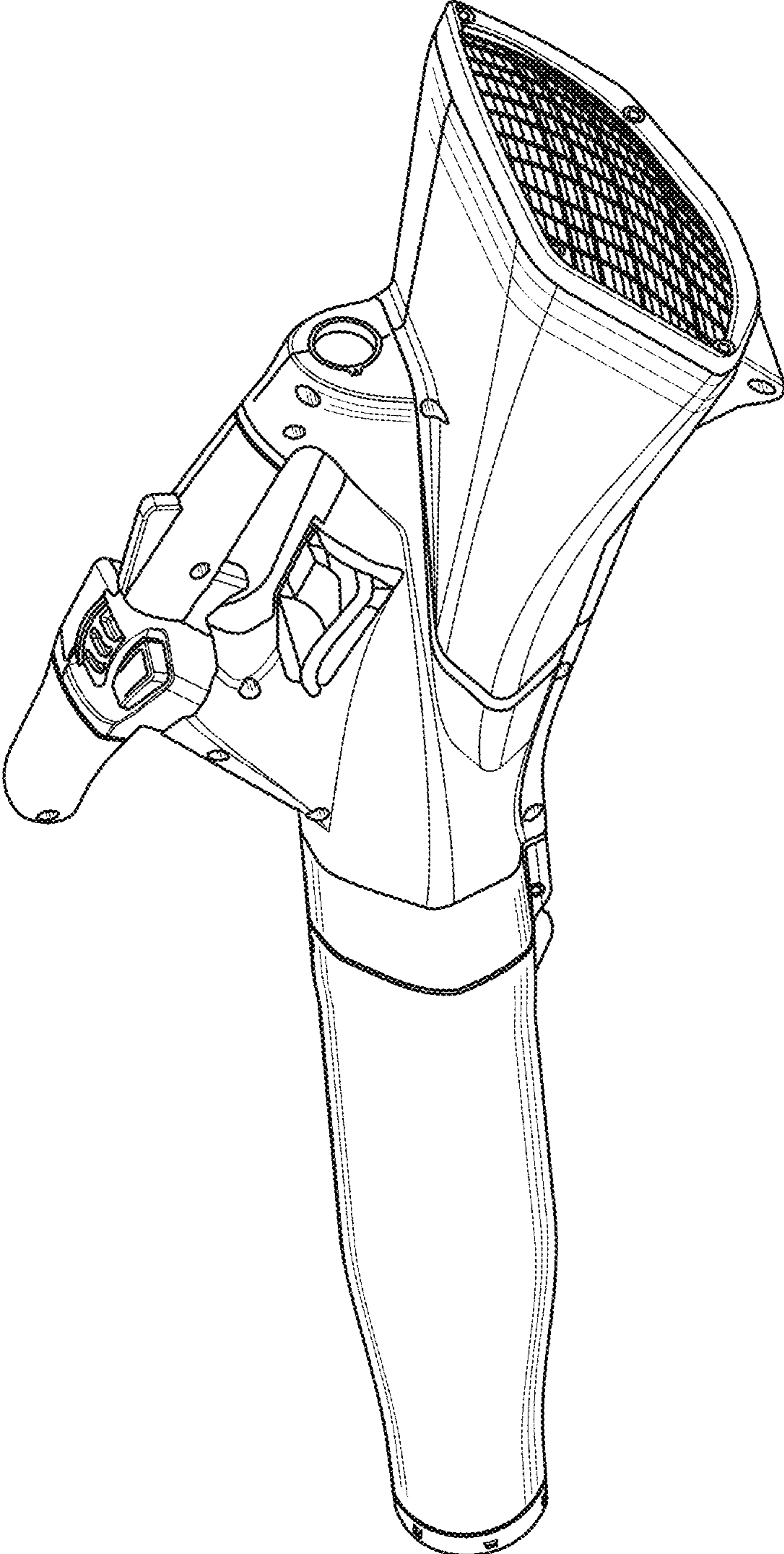


FIG. 1

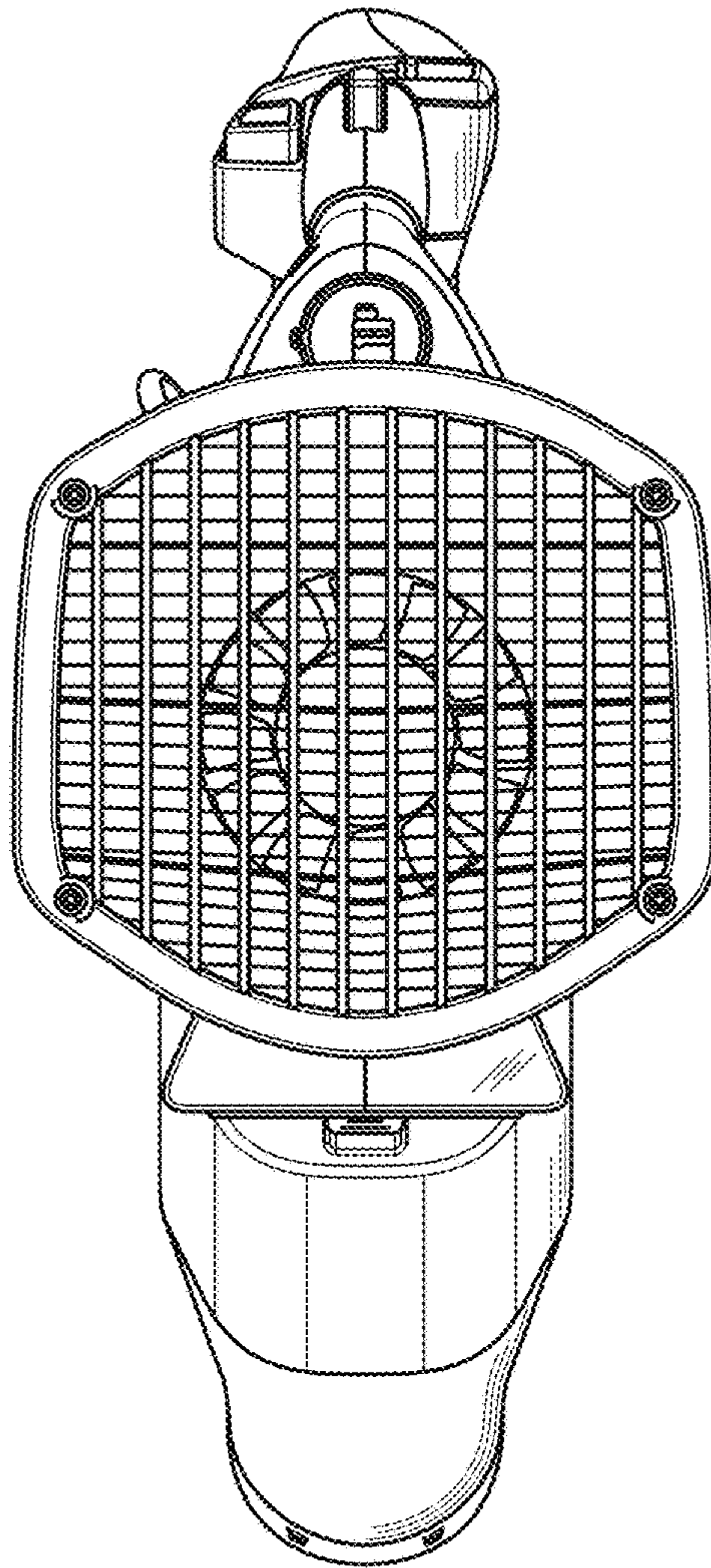


FIG. 2

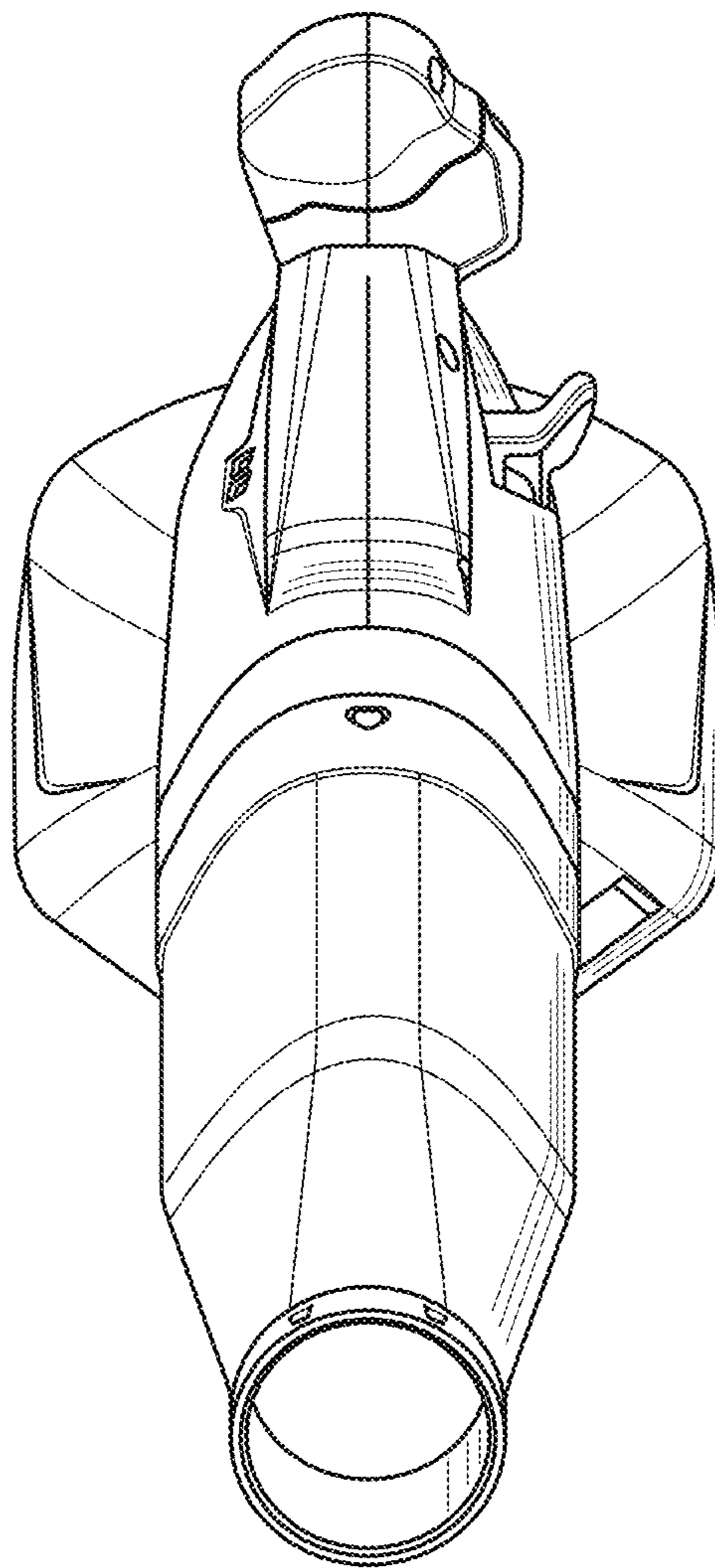


FIG. 3

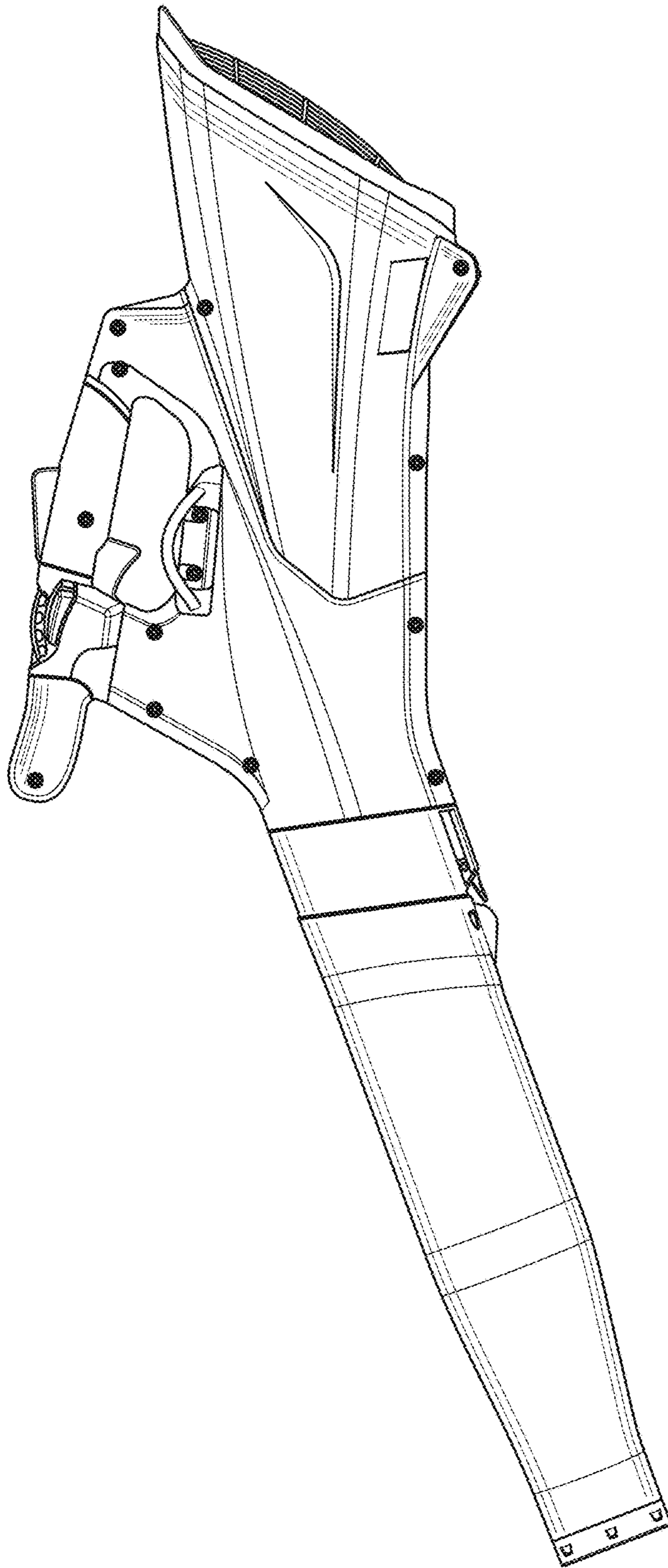


FIG. 4

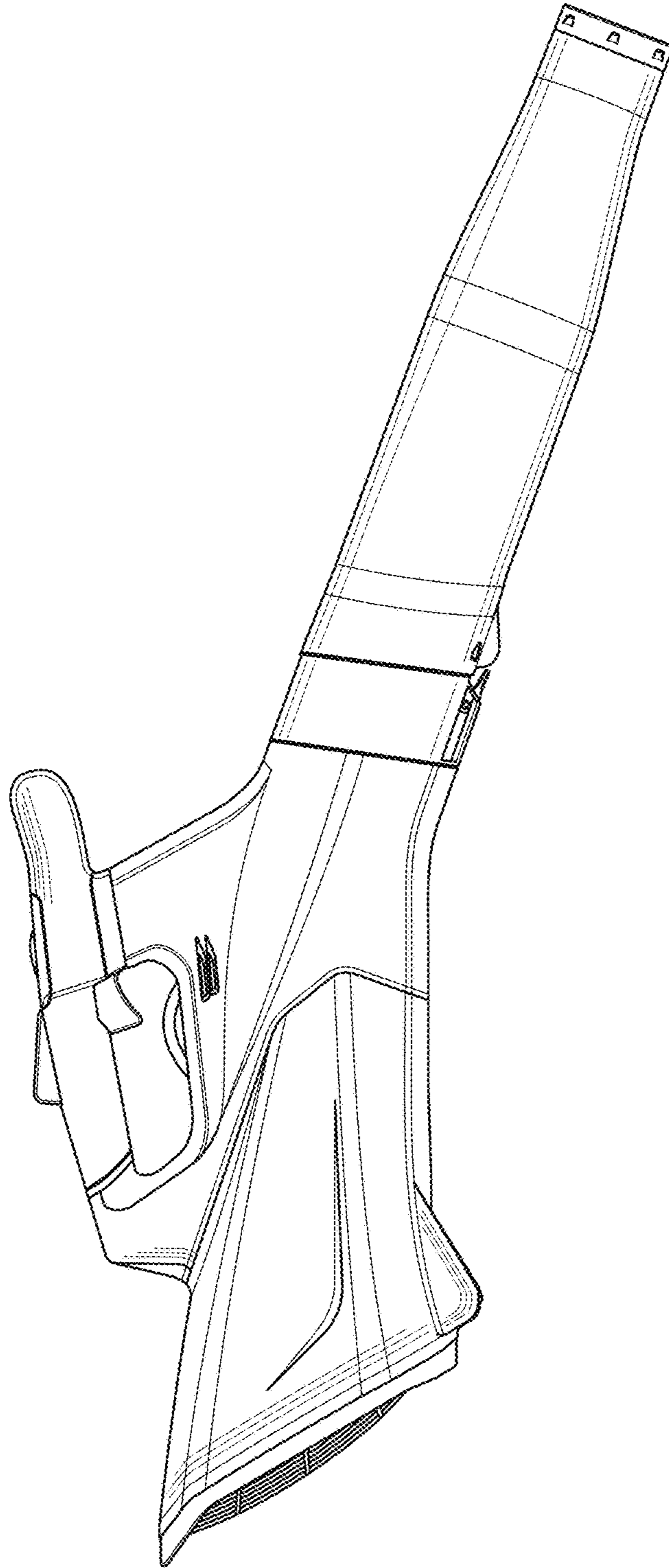


FIG. 5

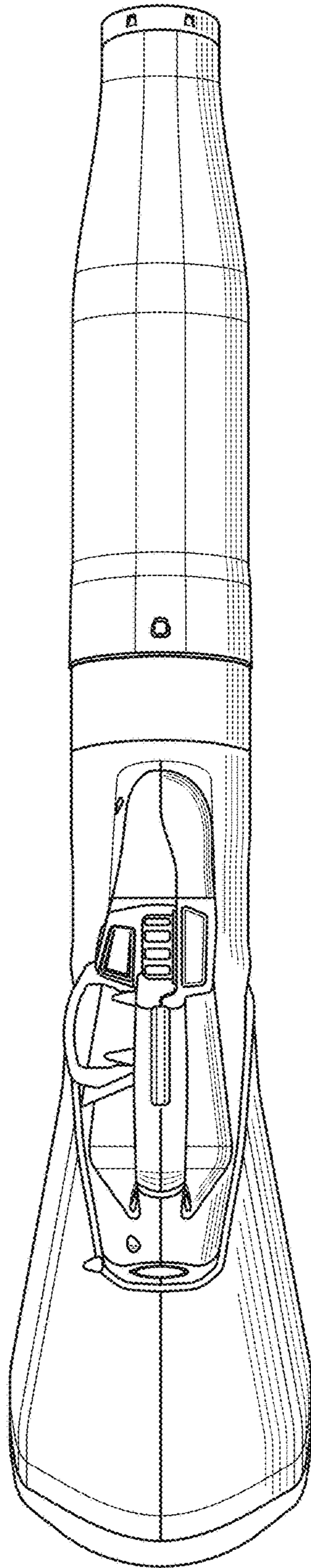


FIG. 6

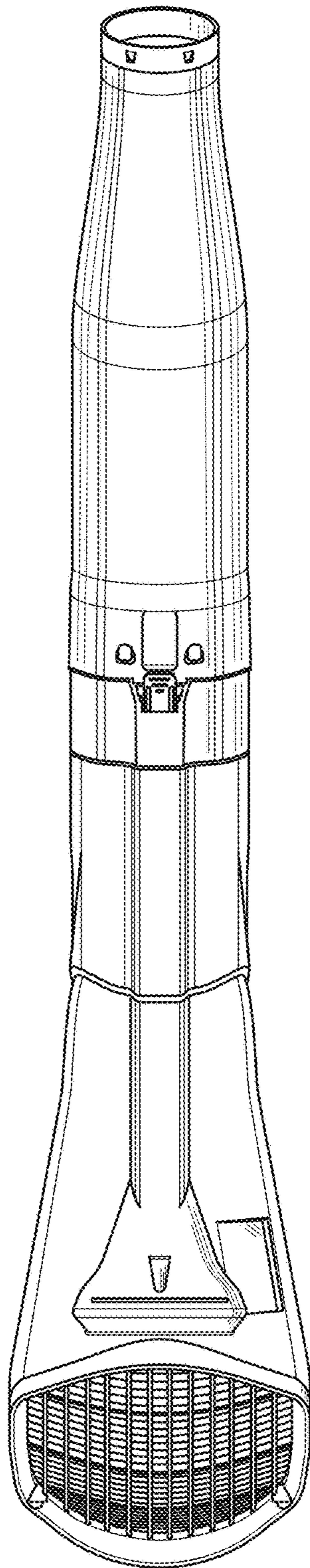


FIG. 7