

US00D868398S

(12) **United States Design Patent** (10) **Patent No.:** **US D868,398 S**
Tinius (45) **Date of Patent:** **** Nov. 26, 2019**

(54) **BATTERY POWERED BLOWER**
(71) Applicant: **Andreas Stihl AG & Co. KG**,
Waiblingen (DE)
(72) Inventor: **Michael Tinius**, Ulm (DE)
(73) Assignee: **Andreas Stihl AG & Co. KG**,
Waiblingen (DE)

D393,506 S 4/1998 Ohi et al.
D400,322 S 10/1998 Webster et al.
D405,570 S 2/1999 Broecking
5,950,276 A 9/1999 Everts et al.
D416,360 S 11/1999 Enkyo et al.
6,000,096 A 12/1999 Everts et al.
D427,394 S 6/2000 Yamane et al.
6,108,865 A 8/2000 Vesper et al.

(Continued)

(**) Term: **15 Years**
(21) Appl. No.: **29/647,273**
(22) Filed: **May 11, 2018**

(30) **Foreign Application Priority Data**

Nov. 17, 2017 (EM) 004510873
(51) **LOC (12) Cl.** **15-05**
(52) **U.S. Cl.**
USPC **D32/15; D15/12**
(58) **Field of Classification Search**
USPC D23/332-337, 370-385; D32/15-18, 24;
D15/11, 12
CPC A01G 20/47; A01G 20/43; F04D 19/002;
F04D 25/0673; F04D 25/08; F04D
29/325
See application file for complete search history.

(56) **References Cited**

U.S. PATENT DOCUMENTS

D147,125 S 7/1947 Harvuot
D227,987 S * 7/1973 La Gorce D23/383
3,940,818 A 3/1976 Anderson
D258,908 S 4/1981 Satoh
4,325,163 A 4/1982 Mattson et al.
D266,355 S 9/1982 Mariol
D266,587 S 10/1982 Satoh
D279,319 S 6/1985 McCloskey et al.
D297,274 S 8/1988 Komiya et al.
D359,603 S 6/1995 Rakocy et al.
D375,822 S 11/1996 Lessig et al.
5,673,457 A 10/1997 Webster et al.

OTHER PUBLICATIONS

Makita XBU02PT1 18V X2 (36V) LXT Lithium-Ion Brushless Cordless Blower Kit with 4 Batteries, date posted unknown, site visited Jun. 29, 2019, Copyright © 1996-2019, <https://www.amazon.com/Makita-XBU02PT1-Cordless-Blower-Batteries/dp/B0765BRWRN/ref=sr_1_12?keywords=leaf+blower&qid=1561830411&s=hi&sr=1-12>.*

Primary Examiner — Cathron C Brooks
Assistant Examiner — Sharon S Oum
(74) *Attorney, Agent, or Firm* — McGuireWoods LLP

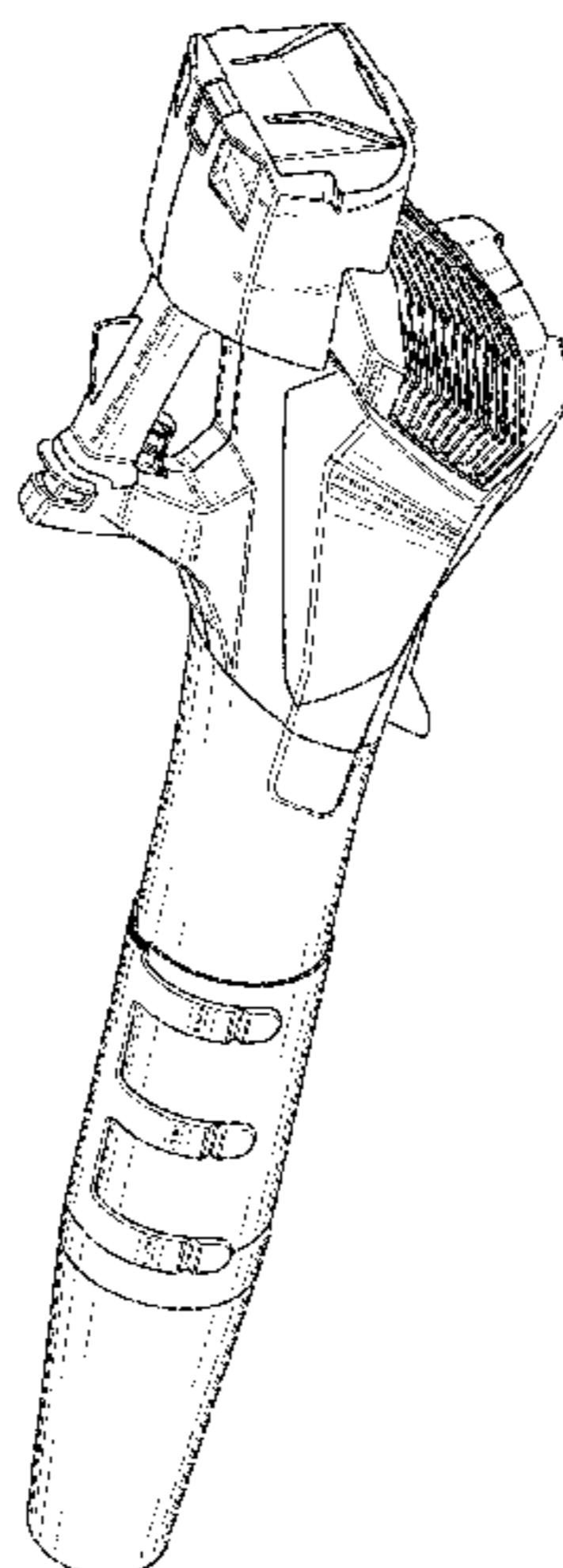
(57) **CLAIM**

I claim the ornamental design for a battery powered blower, as shown and described.

DESCRIPTION

FIG. 1 is a left side perspective view of the battery powered blower;
FIG. 2 is a left side view of the battery powered blower shown in FIG. 1;
FIG. 3 is a right side view of the battery powered blower shown in FIG. 1;
FIG. 4 is a bottom view of the battery powered blower shown in FIG. 1;
FIG. 5 is a top view of the battery powered blower shown in FIG. 1;
FIG. 6 is a front view of the battery powered blower shown in FIG. 1; and,
FIG. 7 is a rear view of the battery powered blower shown in FIG. 1.

1 Claim, 7 Drawing Sheets



(56)

References Cited

U.S. PATENT DOCUMENTS

D431,697 S 10/2000 Hayakawa et al.
 D461,604 S 8/2002 Martin et al.
 6,442,790 B1 9/2002 Svoboda et al.
 6,468,053 B2 10/2002 Wolpert
 D468,874 S 1/2003 Nawrozki et al.
 D469,931 S 2/2003 Nawrozki et al.
 D471,680 S 3/2003 Takumaru et al.
 6,552,891 B1 4/2003 Prach
 D480,844 S 10/2003 Noma et al.
 6,629,818 B2 10/2003 Svoboda
 D497,459 S 10/2004 Nawrozki et al.
 D497,692 S 10/2004 Nawrozki et al.
 6,834,413 B2 12/2004 Sanders et al.
 6,843,639 B2 1/2005 Schutt
 D521,528 S 5/2006 Kamiyo et al.
 D526,750 S 8/2006 Ito
 D529,243 S 9/2006 Noma et al.
 D532,897 S 11/2006 Yoshida et al.
 D533,266 S 12/2006 Yoshida et al.
 D556,395 S 11/2007 Martin
 D558,939 S 1/2008 Yuasa
 D569,055 S 5/2008 Bochmann et al.
 D577,113 S 9/2008 Tinius
 D583,925 S 12/2008 Tinius
 D584,460 S 1/2009 Sweeney
 D584,461 S 1/2009 Sweeney
 7,476,091 B2 1/2009 Saitou et al.
 D588,939 S 3/2009 Falkenstein
 D591,767 S 5/2009 Lee

D591,916 S 5/2009 Kosugi et al.
 D594,961 S 6/2009 Tinius
 D605,819 S 12/2009 Tinius
 D615,716 S 5/2010 Tinius
 D637,774 S 5/2011 Li et al.
 D637,776 S 5/2011 Tinius
 D638,035 S 5/2011 Kosugi et al.
 D662,951 S 7/2012 Tinius
 D668,822 S 10/2012 Tinius
 D719,307 S * 12/2014 Carl D15/12
 8,918,951 B2 * 12/2014 Stones A01G 20/47
 15/339
 D729,999 S * 5/2015 Aoi D15/12
 D735,960 S * 8/2015 Zhang D32/15
 D741,917 S * 10/2015 Tinius D15/15
 D746,004 S * 12/2015 Murray D15/12
 9,668,427 B2 * 6/2017 Tschopp H01M 2/1022
 9,689,126 B2 * 6/2017 Barth E01H 1/0809
 D798,513 S * 9/2017 Tinius D32/15
 D809,227 S * 1/2018 Tinius D32/15
 D836,861 S * 12/2018 Tse D32/15
 D846,960 S * 4/2019 Tinius D8/8
 2002/0108211 A1 8/2002 Svoboda
 2003/0233730 A1 12/2003 Sanders et al.
 2008/0148513 A1 6/2008 Shaffer
 2009/0126147 A1 5/2009 Nakazawa et al.
 2014/0234130 A1 * 8/2014 Yamaoka A47L 5/24
 417/234
 2016/0298635 A1 * 10/2016 Su B08B 5/02
 2017/0260985 A1 * 9/2017 Gao F04D 25/06
 2018/0291930 A1 * 10/2018 Pellenc E01H 1/0809

* cited by examiner

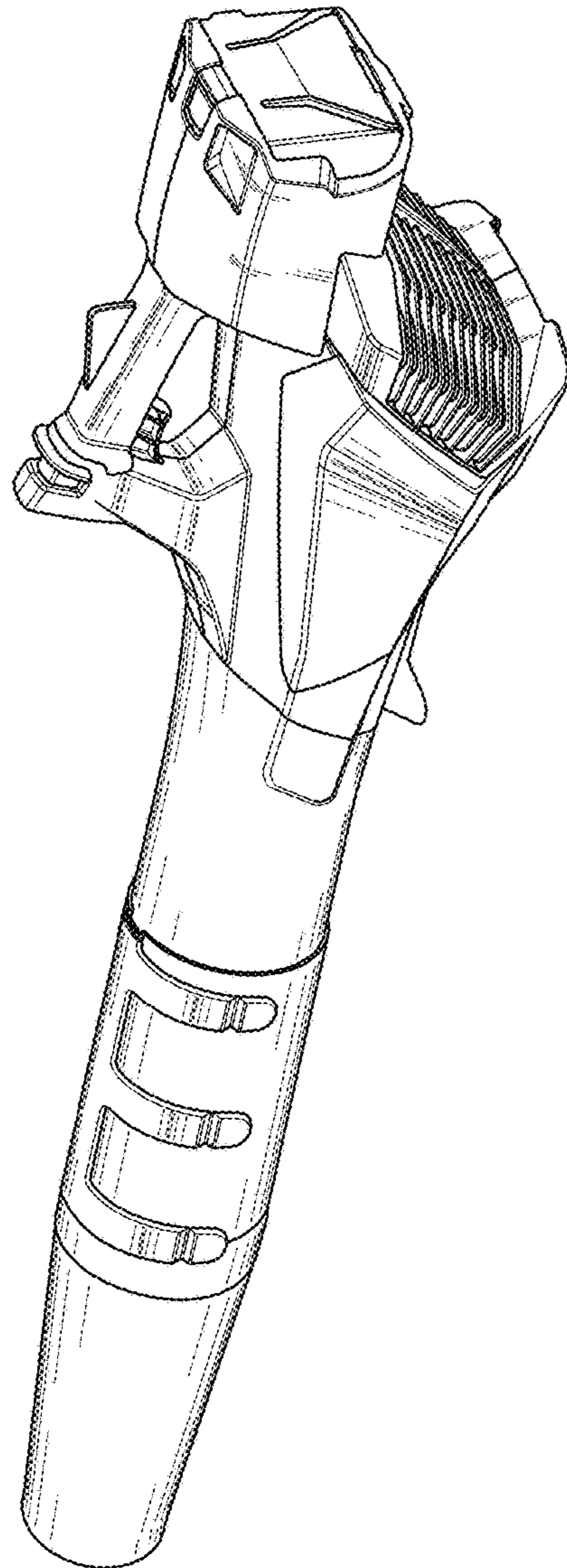


FIG. 1

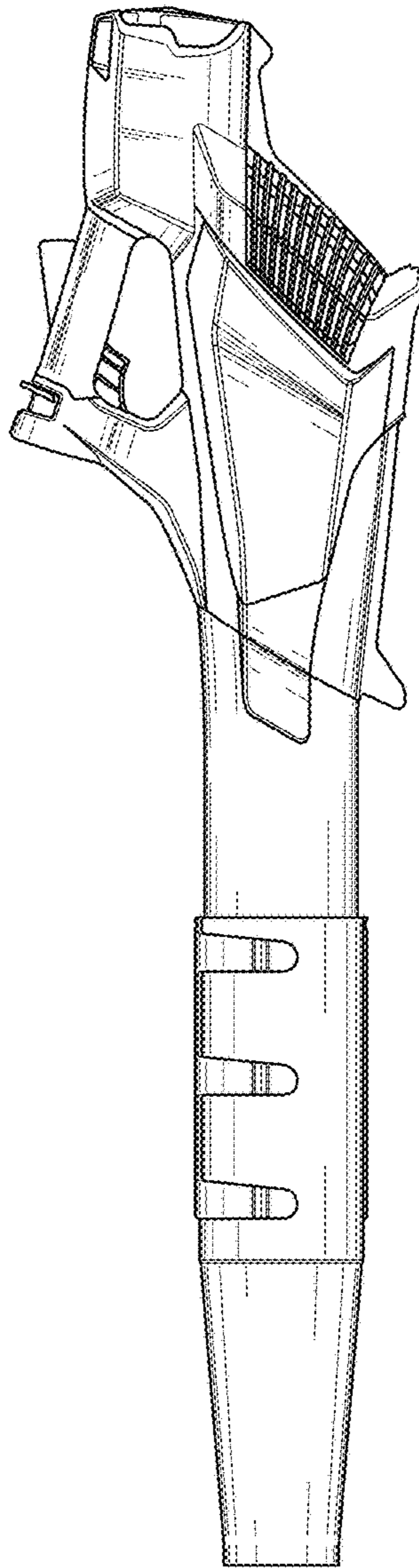


FIG. 2

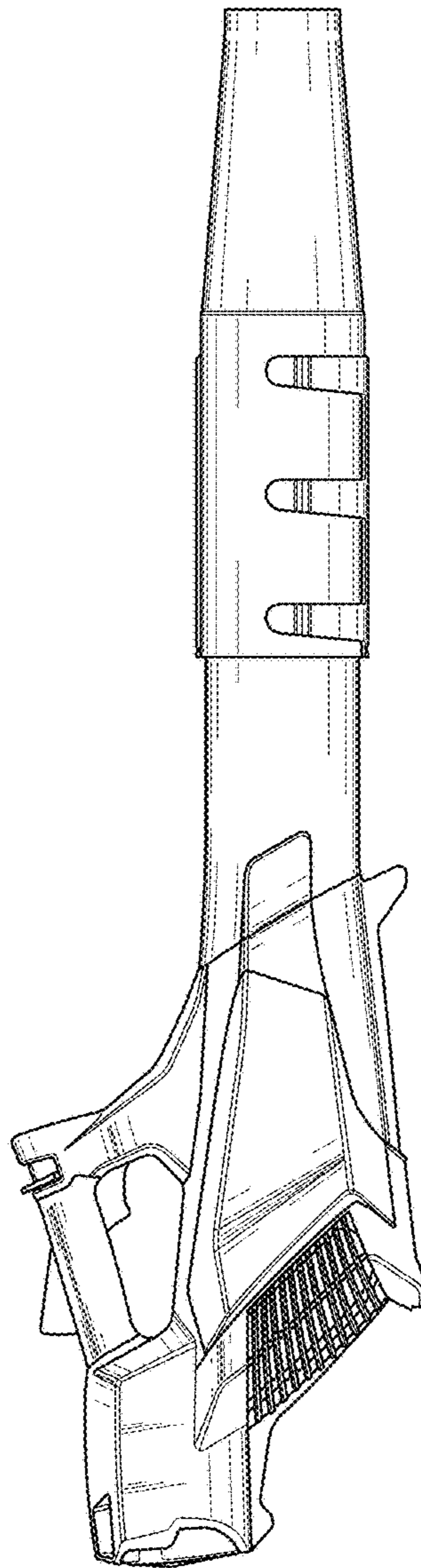


FIG. 3

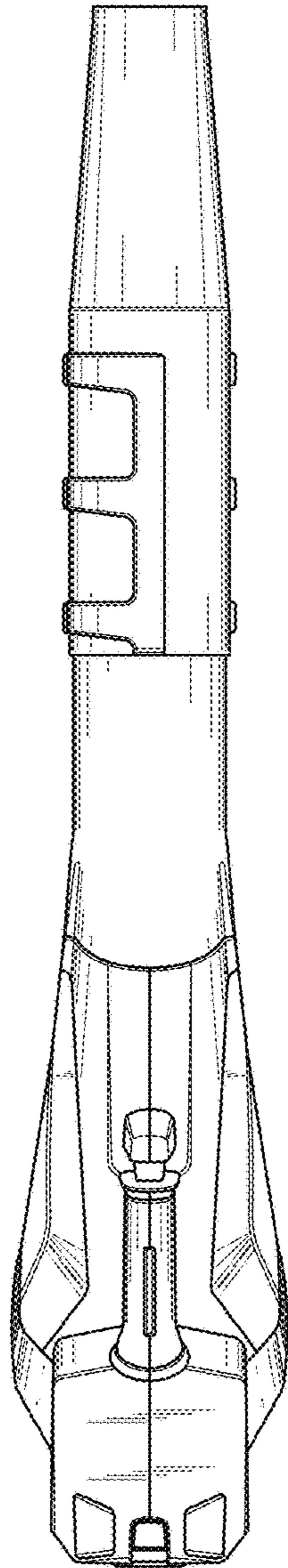


FIG. 4

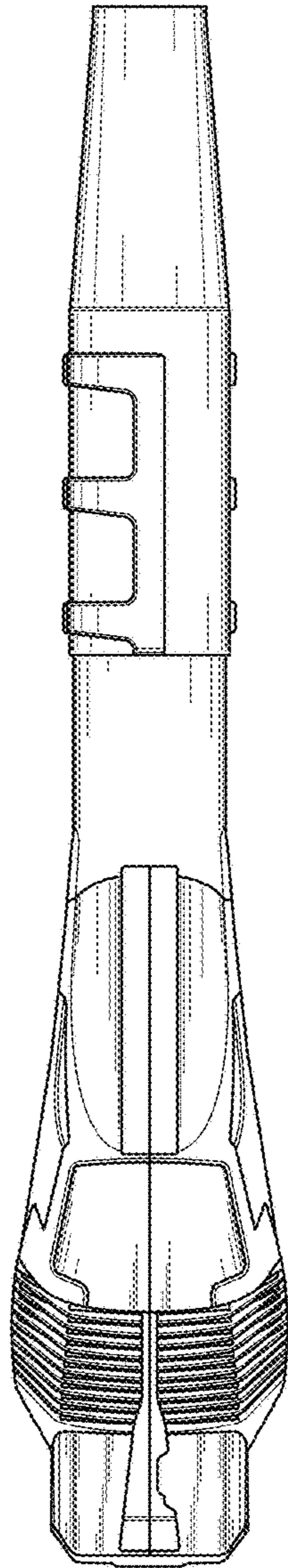


FIG. 5

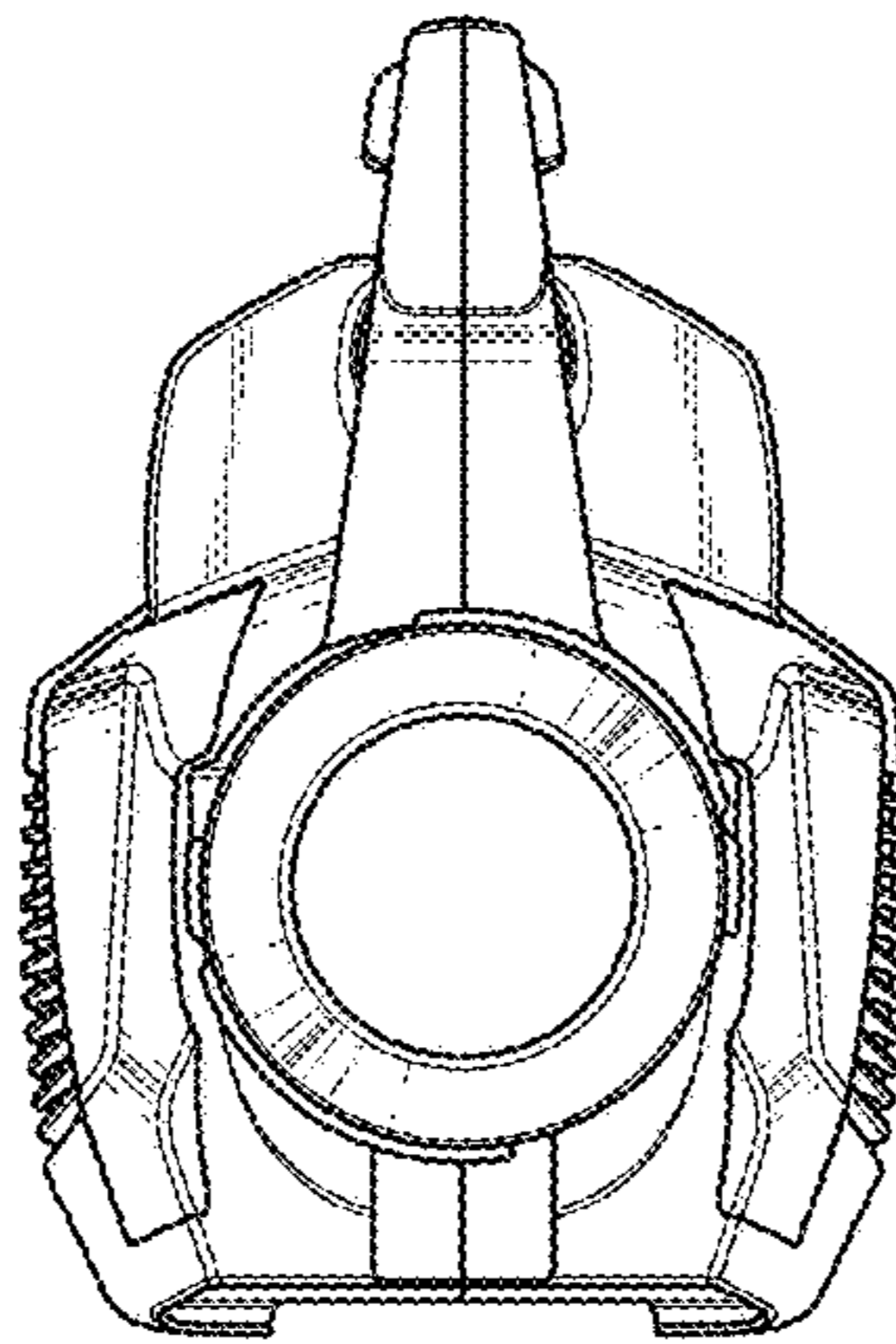


FIG. 6

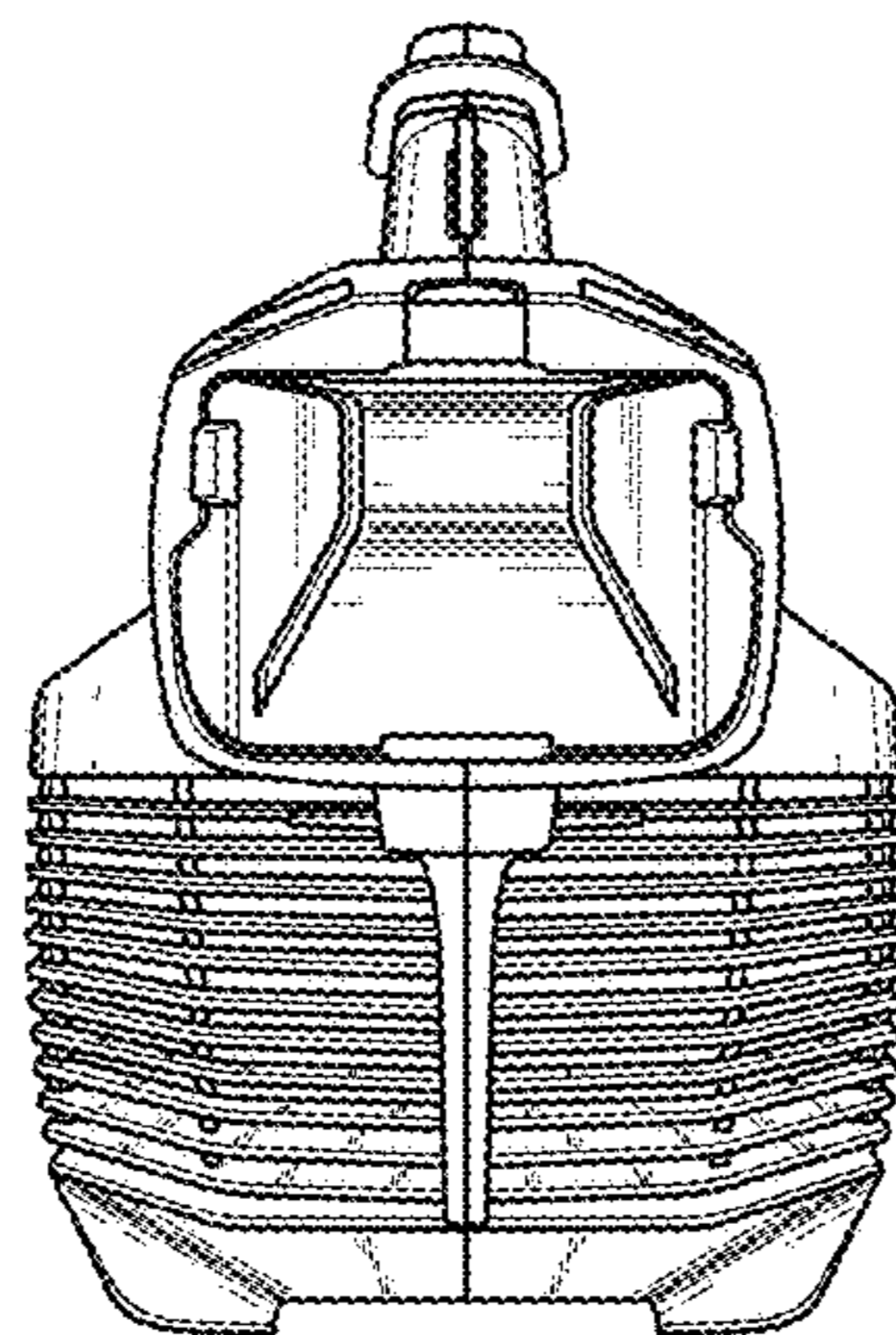


FIG. 7