



US00D868396S

(12) **United States Design Patent** (10) **Patent No.:** **US D868,396 S**  
**Gilmer** (45) **Date of Patent:** **\*\* Nov. 26, 2019**

(54) **STAKE**  
(71) Applicant: **STAKEBOSS LLC**, Hesperia, CA (US)  
(72) Inventor: **Tyrone Gilmer**, Hesperia, CA (US)  
(73) Assignee: **STAKEBOSS LLC**, Hesperia, CA (US)  
(\*\*) Term: **15 Years**

D298,975 S \* 12/1988 Pantoja ..... D30/154  
4,905,718 A \* 3/1990 Vandiver ..... E04H 15/62  
135/118  
D315,711 S \* 3/1991 Billings ..... D12/215  
D331,526 S \* 12/1992 Miller ..... D8/1  
5,463,834 A \* 11/1995 Krieger ..... E02D 5/803  
135/118  
D477,118 S \* 7/2003 Kirch ..... 119/787  
D495,932 S \* 9/2004 Kopka ..... D8/1

(Continued)

(21) Appl. No.: **29/649,886**  
(22) Filed: **Jun. 2, 2018**  
(51) **LOC (12) Cl.** ..... **30-09**  
(52) **U.S. Cl.**  
USPC ..... **D30/154; D21/840**  
(58) **Field of Classification Search**  
USPC ..... D12/215; D21/700, 840; D30/154  
CPC ..... E04H 15/62; A01K 1/04; A01K 29/00  
See application file for complete search history.

OTHER PUBLICATIONS

“TARPFANG, The Beginning—StakeBoss, LLC.” Found online Sep. 26, 2019 at www.stakeboss.com. Page dated Jan. 1, 2019. Retrieved from URL: <https://stakeboss.com/tarpfang-the-beginning/> (Year: 2019).\*

(Continued)

*Primary Examiner* — Mary Ann Calabrese  
*Assistant Examiner* — Katelin G Kloberg  
(74) *Attorney, Agent, or Firm* — Loza & Loza, LLP;  
Heidi L. Eisenhut

(56) **References Cited**

U.S. PATENT DOCUMENTS

484,998 A \* 10/1892 Comstock ..... E04H 15/62  
135/118  
2,087,176 A \* 7/1937 Webb ..... A01K 1/04  
119/787  
D108,719 S \* 3/1938 Morgan ..... D21/700  
2,775,252 A \* 12/1956 Finch ..... E04H 15/62  
135/118  
2,941,504 A \* 6/1960 Supowitz ..... A01K 15/025  
119/786  
3,241,202 A \* 3/1966 Knauft ..... E04H 15/62  
24/327  
D218,582 S \* 9/1970 Kiester ..... D21/840  
3,788,336 A 1/1974 Steffes  
D243,351 S \* 2/1977 Laukhuf ..... D30/154  
D245,032 S \* 7/1977 Hoffmann ..... D30/154  
D250,281 S \* 11/1978 Laukhuf ..... D7/602  
D270,365 S \* 8/1983 Hawk ..... D21/840  
D287,156 S \* 12/1986 Sloane ..... D21/840

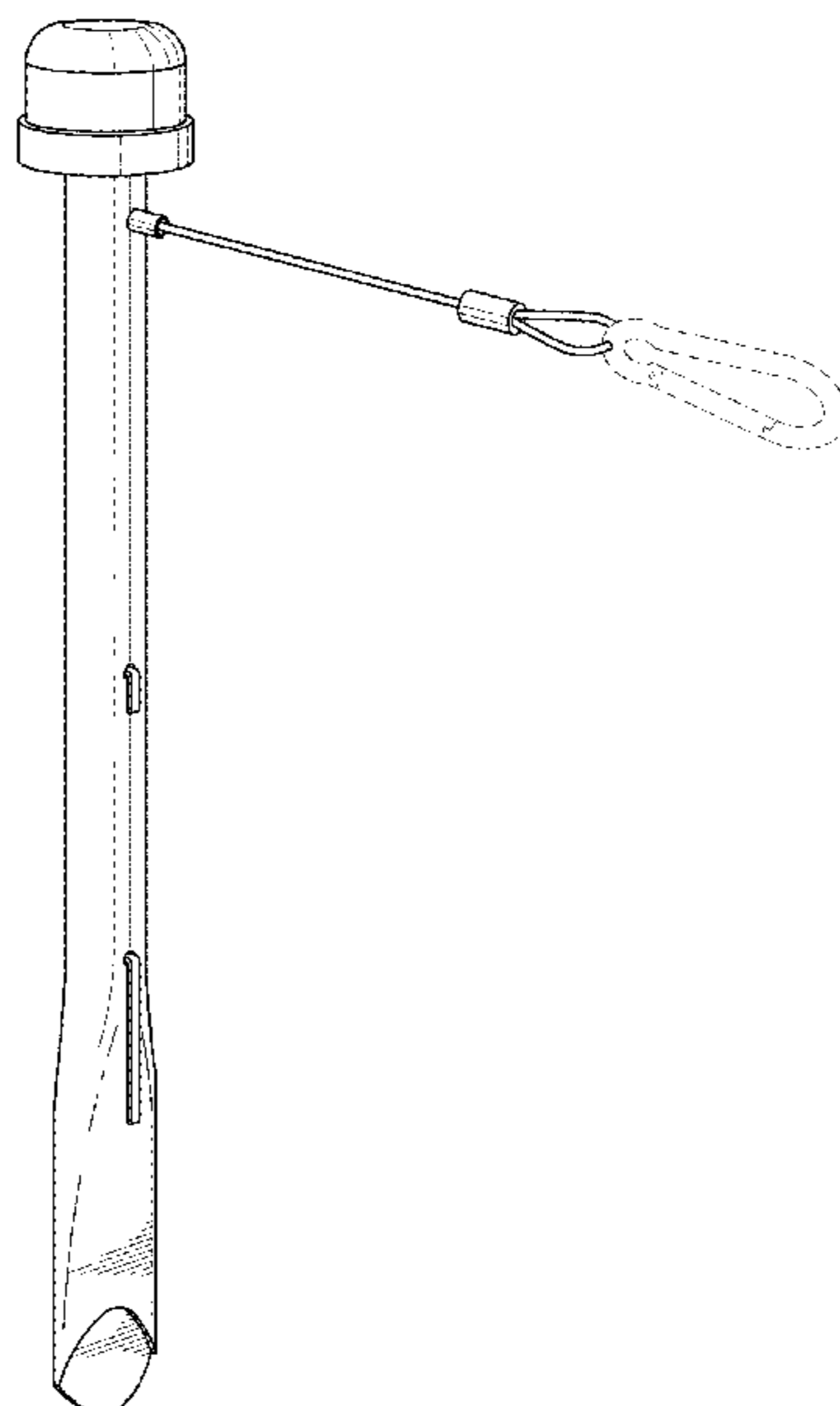
(57) **CLAIM**

The ornamental design for a stake, as shown and described.

**DESCRIPTION**

FIG. 1 is a top, front, right side perspective view of a stake, showing my new design;  
FIG. 2 is a right side elevation view thereof;  
FIG. 3 is a left side elevation view thereof;  
FIG. 4 is a front elevation view thereof;  
FIG. 5 is a rear elevation view thereof;  
FIG. 6 is a top plan view thereof; and,  
FIG. 7 is a bottom plan view thereof.  
The broken lines depict environmental subject matter that forms no part of the claimed design.

**1 Claim, 5 Drawing Sheets**



(56)

**References Cited**

U.S. PATENT DOCUMENTS

6,932,164	B1	8/2005	Williston	
6,938,384	B1 *	9/2005	Hodge .....	E04H 15/62 135/118
7,082,954	B1	8/2006	Flanery et al.	
D573,315	S *	7/2008	Kelley .....	D30/154
D787,419	S *	5/2017	Michel .....	D12/215
D839,696	S *	2/2019	Riddle .....	D8/1
2001/0039769	A1	11/2001	Orr	
2010/0224139	A1 *	9/2010	Krieger .....	A01K 1/04 119/780
2013/0233366	A1	9/2013	Burgess et al.	
2018/0347226	A1 *	12/2018	Gilmer .....	E04H 15/62

OTHER PUBLICATIONS

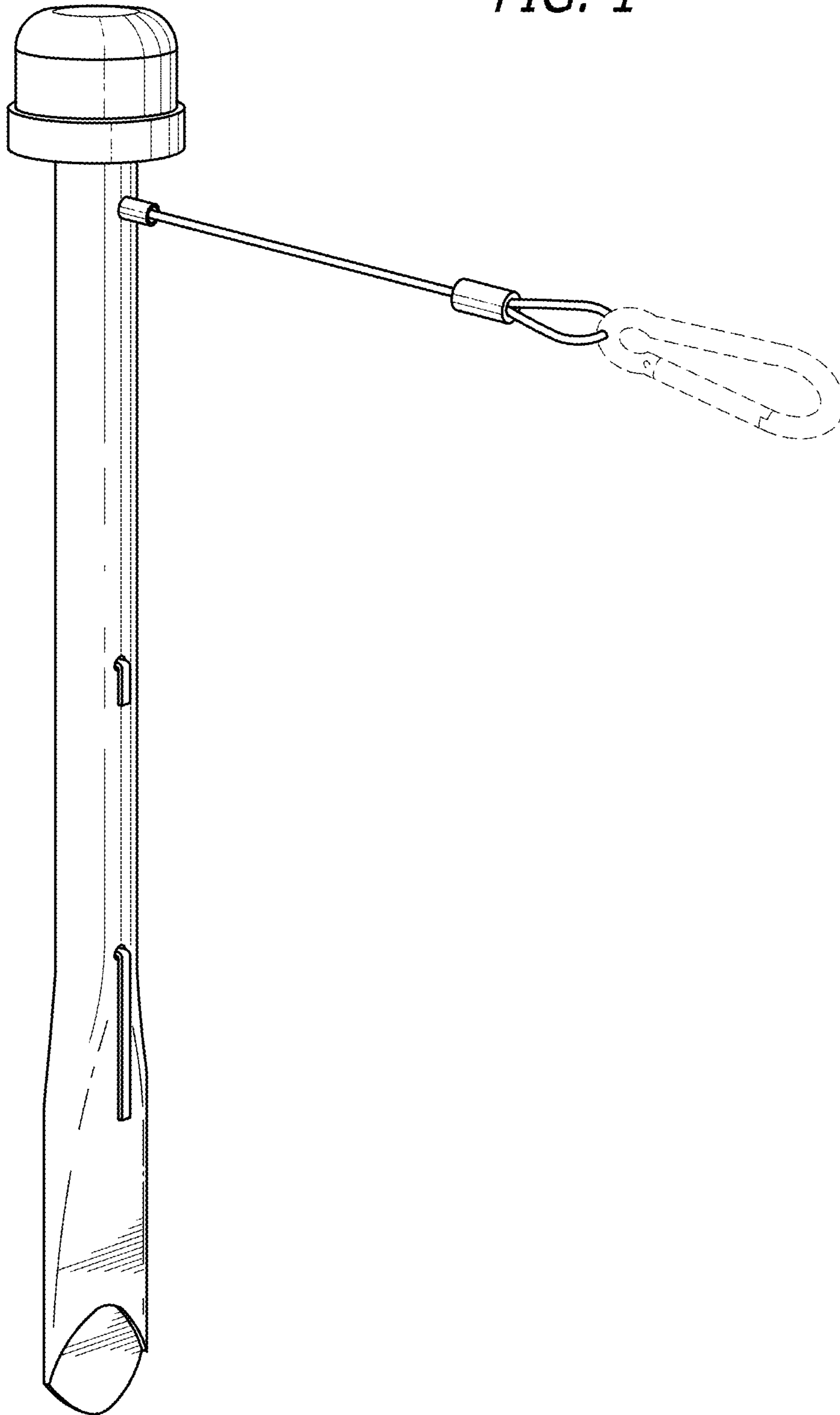
“MSR Core 4-Pack Tent Stake Kit.” Found online Sep. 26, 2019 at [www.amazon.com](https://www.amazon.com). Product reviewed Jan. 29, 2019. Retrieved from URL: [https://www.amazon.com/MSR-Core-4-Pack-Tent-Stake/dp/B07BNVTHJF/ref=pd\\_lpo\\_sbs\\_468\\_img\\_2?\\_encoding=UTF8&refRID=ECMHWS8WYF45NA5NSP4](https://www.amazon.com/MSR-Core-4-Pack-Tent-Stake/dp/B07BNVTHJF/ref=pd_lpo_sbs_468_img_2?_encoding=UTF8&refRID=ECMHWS8WYF45NA5NSP4) (Year: 2019).\*

“Csdtylh 12 Pack Black Forged Steel Tent Pegs.” Found online Sep. 26, 2019 at [www.amazon.com](https://www.amazon.com). Product reviewed Feb. 8, 2018. Retrieved from URL: <https://tinyurl.com/yj7kaeu> (Year: 2018).\*

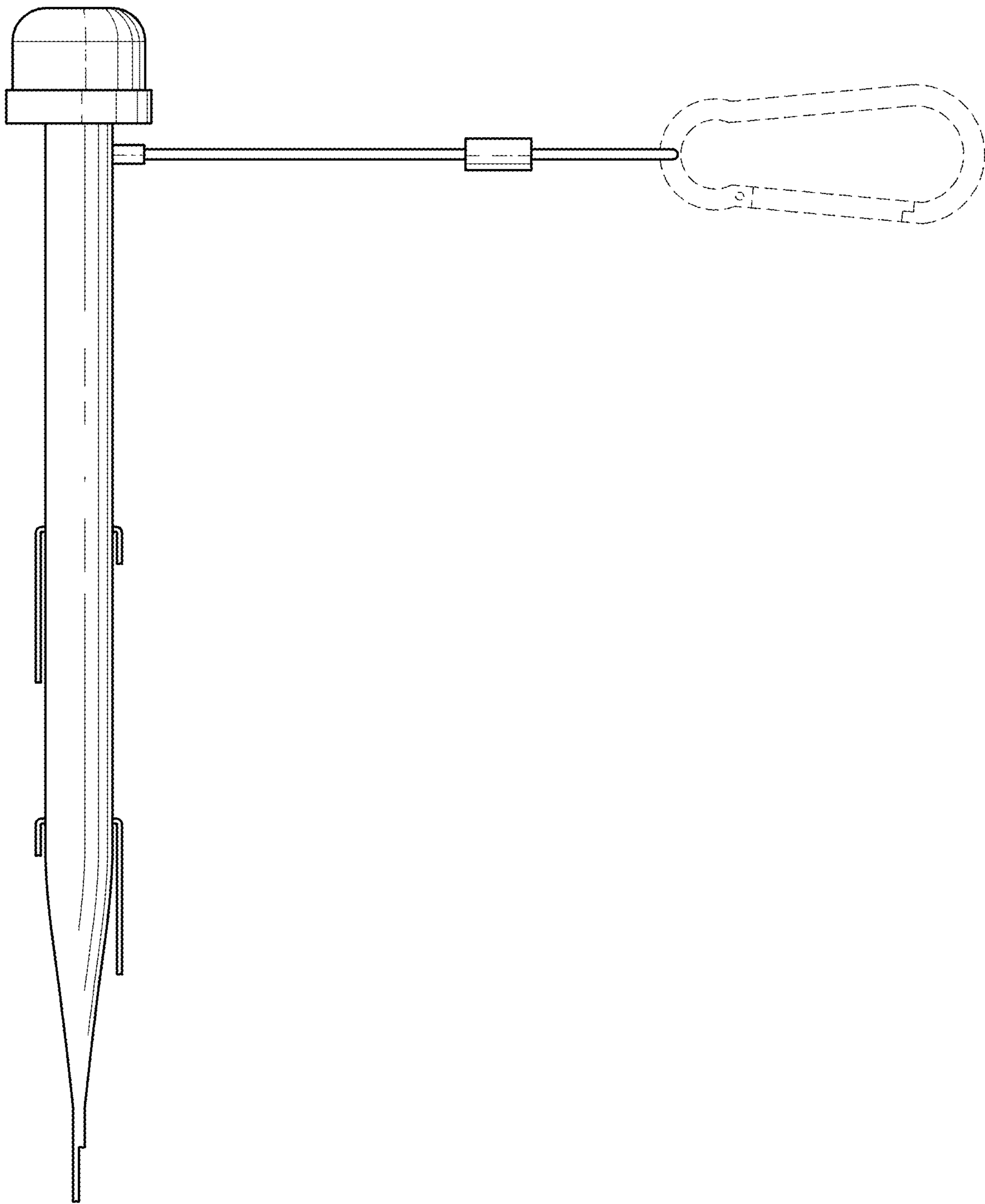
“TentandTable Heavy Duty Stake.” Found online Sep. 26, 2019 at [www.amazon.com](https://www.amazon.com). Product reviewed Jul. 8, 2017. Retrieved from URL: [https://www.amazon.com/TentandTable-Commercial-Inflatables-36-inch-Diameter/dp/B01FWI2B18/ref=pd\\_lpo\\_sbs\\_468\\_img\\_0?\\_encoding=UTF8&psc=1&refRID=XDWH8291A8N8KFV4FE15](https://www.amazon.com/TentandTable-Commercial-Inflatables-36-inch-Diameter/dp/B01FWI2B18/ref=pd_lpo_sbs_468_img_0?_encoding=UTF8&psc=1&refRID=XDWH8291A8N8KFV4FE15) (Year: 2017).\*

\* cited by examiner

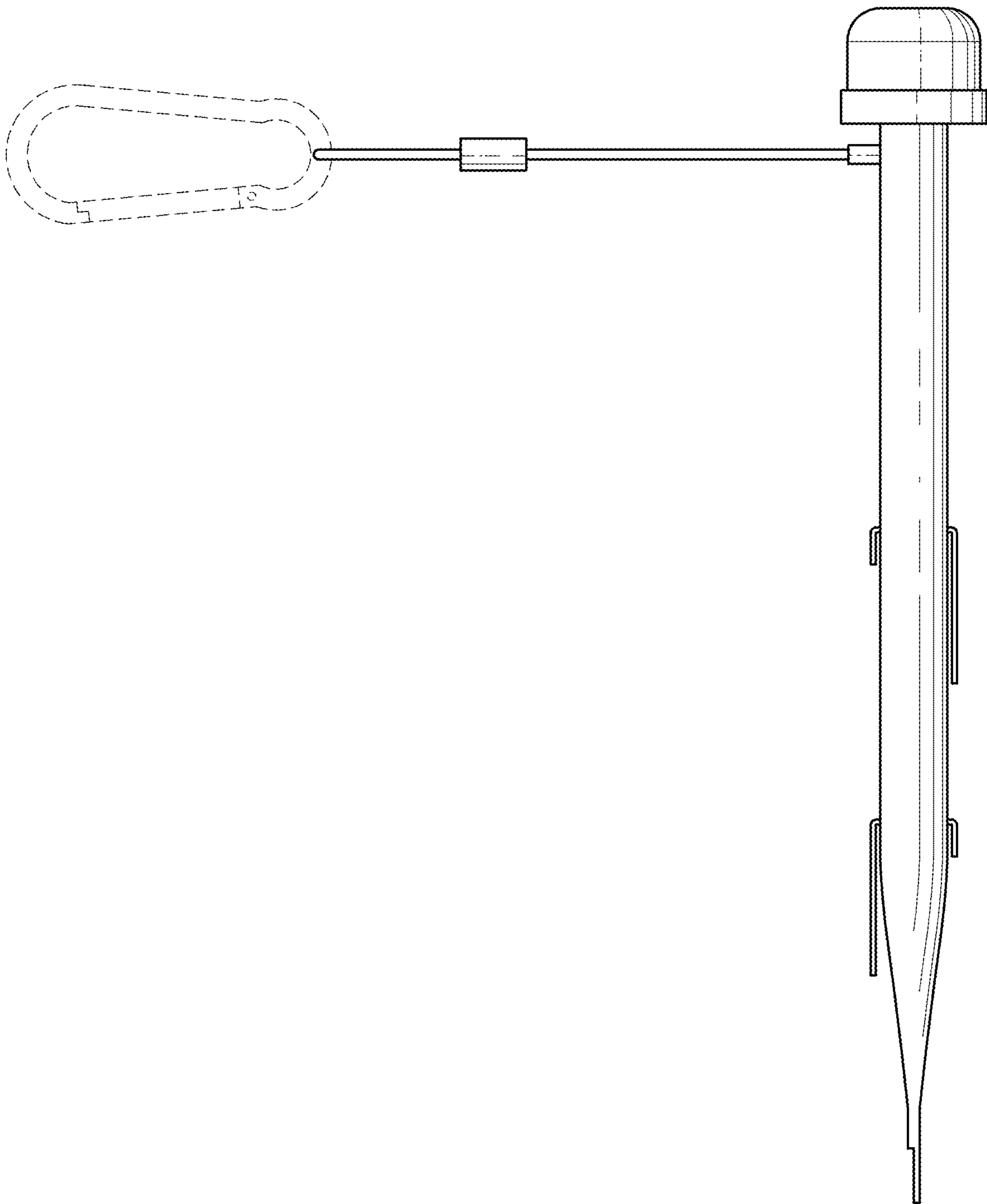
FIG. 1



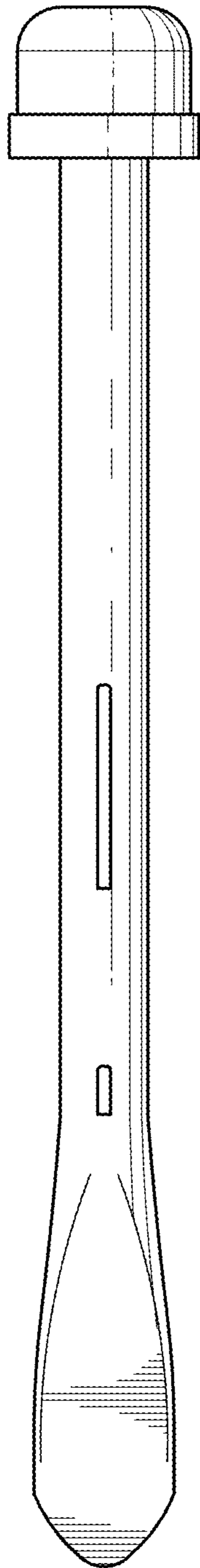
*FIG. 2*



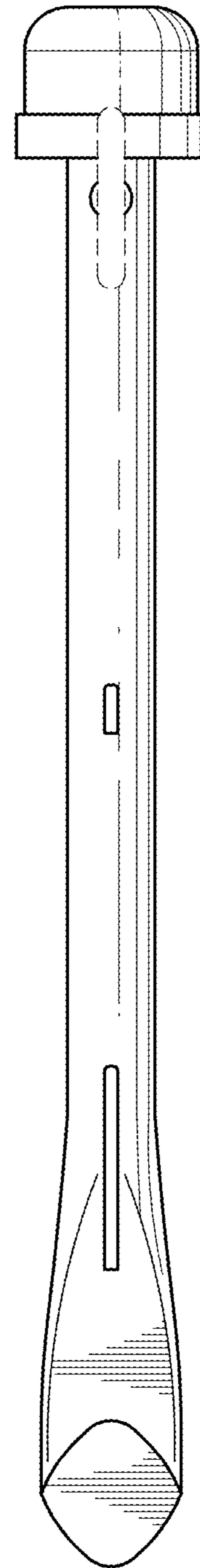
*FIG. 3*

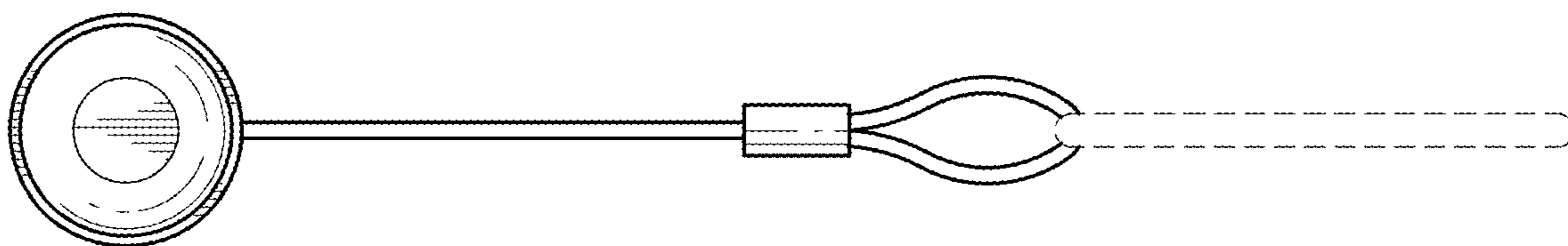


*FIG. 4*

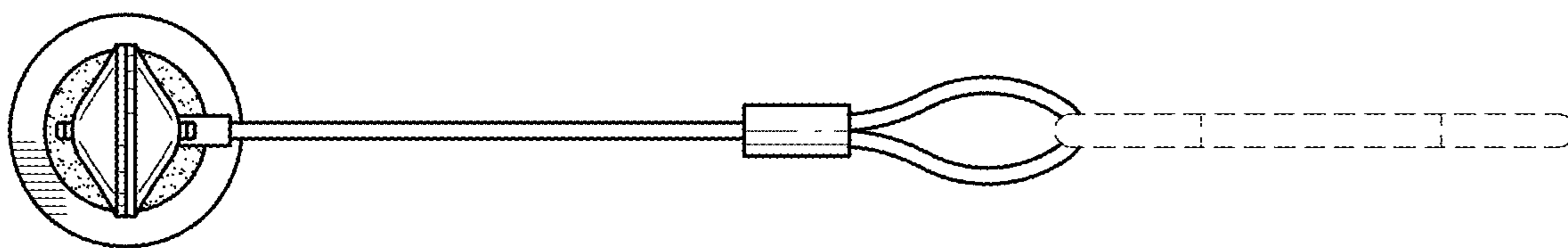


*FIG. 5*





*FIG. 6*



*FIG. 7*