



US00D868395S

(12) **United States Design Patent** (10) **Patent No.:** **US D868,395 S**  
**Yi** (45) **Date of Patent:** **\*\* Nov. 26, 2019**

(54) **PET SUNGLASSES**

D431,584 S \* 10/2000 Chiang ..... D16/312  
D432,556 S \* 10/2000 Lando ..... D16/303  
D438,885 S \* 3/2001 Haslbeck ..... D16/303

(71) Applicant: **Shenzhen Leshuo Technology Co., Ltd.**, Shenzhen (CN)

(Continued)

(72) Inventor: **Zhou Yi**, Shenzhen (CN)

**OTHER PUBLICATIONS**

(73) Assignee: **Shenzhen Leshuo Technology Co., Ltd.**, Shenzhen (CN)

“Enjoying Small Dog Sunglasses.” Found online Sep. 25, 2019 at www.amazon.com. Product reviewed Jun. 24, 2018. Retrieved from URL: [https://www.amazon.com/dp/B07CYRV1GN/ref=psdc\\_2975325011\\_t3\\_B07KK6RJ7Z](https://www.amazon.com/dp/B07CYRV1GN/ref=psdc_2975325011_t3_B07KK6RJ7Z) (Year: 2018).\*

(\*\*) Term: **15 Years**

(Continued)

(21) Appl. No.: **29/654,730**

*Primary Examiner* — Mary Ann Calabrese

(22) Filed: **Jun. 27, 2018**

*Assistant Examiner* — Katelin G Kloberg

(30) **Foreign Application Priority Data**

(74) *Attorney, Agent, or Firm* — ScienBiziP, P.C.

Apr. 28, 2018 (CN) ..... 2018 3 0187042

(51) **LOC (12) Cl.** ..... **30-01**

(52) **U.S. Cl.**

USPC ..... **D30/144**; D16/311

(58) **Field of Classification Search**

USPC ..... D16/303, 306, 311, 312, 328; D30/144, D30/145, 199

See application file for complete search history.

(56) **References Cited**

**U.S. PATENT DOCUMENTS**

3,924,388 A \* 12/1975 Morrison ..... A01K 13/006  
54/80.1

4,178,742 A \* 12/1979 Longfellow ..... A01K 13/006  
2/436

D377,999 S \* 2/1997 Grice ..... D16/306

D384,363 S \* 9/1997 Park ..... D16/328

D390,863 S \* 2/1998 Bennell ..... D16/312

D400,905 S \* 11/1998 Wang ..... D16/303

5,868,104 A \* 2/1999 Ramirez ..... A01K 13/00  
119/850

D422,614 S \* 4/2000 Reeder ..... D16/303

(57) **CLAIM**

The ornamental design for a pet sunglasses, as shown and described.

**DESCRIPTION**

FIG. 1 is a top, front, right side perspective view of a pet sunglasses, showing my new design;

FIG. 2 is a bottom, rear, left side perspective view thereof;

FIG. 3 is a front elevation view thereof;

FIG. 4 is a rear elevation view thereof;

FIG. 5 is a left side elevation view thereof;

FIG. 6 is a right side elevation view thereof;

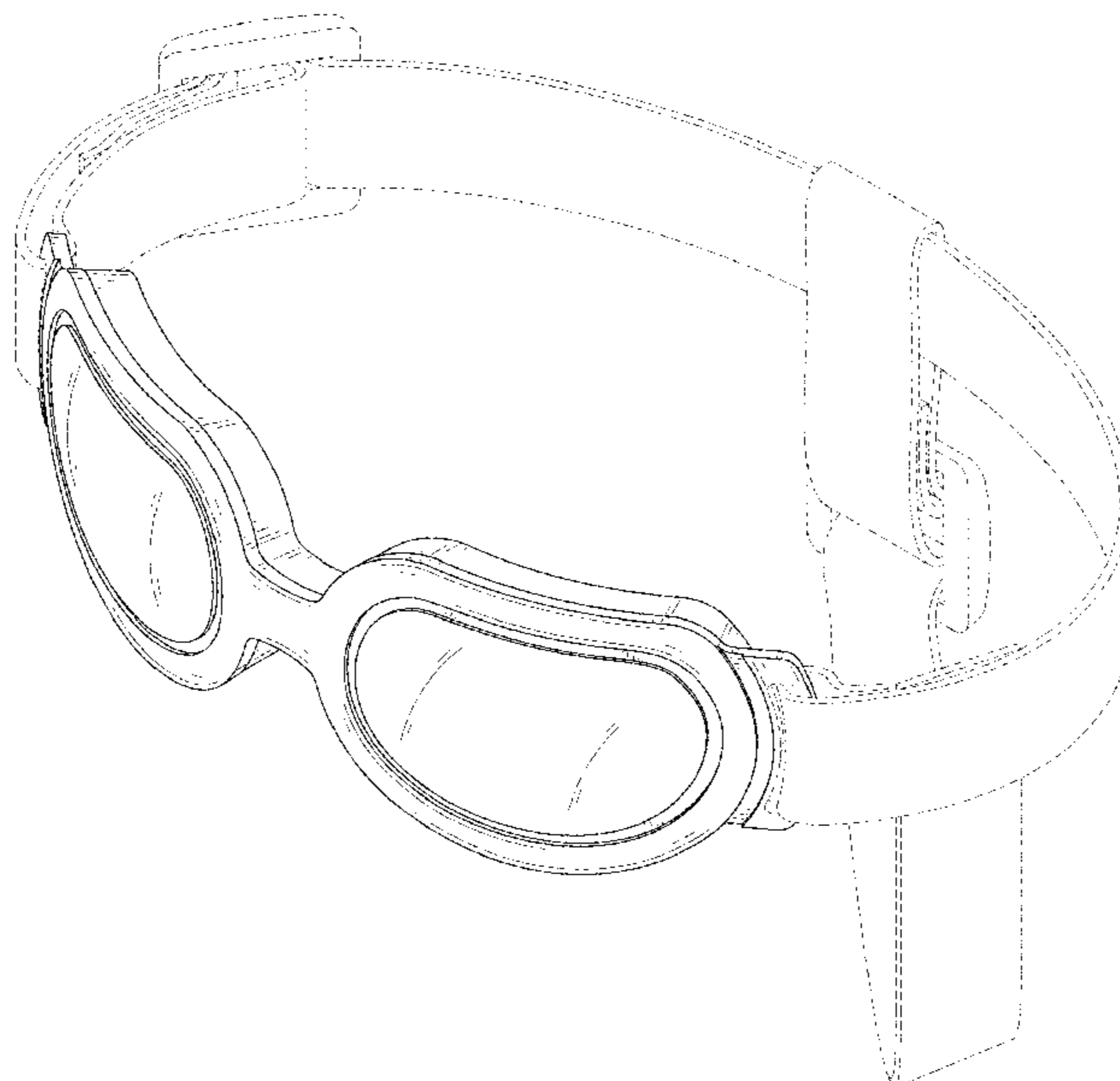
FIG. 7 is a top plan view thereof;

FIG. 8 is a bottom plan view thereof; and,

FIG. 9 is a top, front, right side perspective view, shown within an environment of use.

The broken lines immediately adjacent to the claimed design depict boundaries of the claim that form no part of the claimed design. In FIG. 9, the broken lines depicting straps and buckles are representing environmental subject matter that form no part of the claimed design.

**1 Claim, 9 Drawing Sheets**



(56)

References Cited

U.S. PATENT DOCUMENTS

D466,543 S \* 12/2002 Beames ..... D16/311  
 D504,145 S \* 4/2005 Tominaga ..... D16/311  
 D523,060 S \* 6/2006 Chiang ..... D16/303  
 D535,678 S \* 1/2007 Lane ..... D16/311  
 D535,681 S \* 1/2007 Yang ..... D16/311  
 D536,361 S \* 2/2007 Sheldon ..... D16/311  
 D537,098 S \* 2/2007 Sheldon ..... D16/311  
 D537,104 S \* 2/2007 Sheldon ..... D16/311  
 D547,787 S \* 7/2007 Lee ..... D16/311  
 D565,083 S \* 3/2008 Tominaga ..... D16/311  
 D569,410 S \* 5/2008 Chiang ..... D16/303  
 D581,442 S \* 11/2008 Shiue ..... D16/303  
 D581,965 S \* 12/2008 Shiue ..... D16/303  
 D622,301 S \* 8/2010 Fulton ..... D16/311  
 D638,463 S \* 5/2011 Scott ..... D16/311  
 D668,286 S \* 10/2012 Chiang ..... D16/311  
 D683,386 S \* 5/2013 Smith ..... D16/303  
 D683,387 S \* 5/2013 Sheldon ..... D16/309  
 D686,652 S \* 7/2013 Chiang ..... D16/303  
 D687,478 S \* 8/2013 Yang ..... D16/311  
 D689,116 S \* 9/2013 Chen ..... D16/309  
 D698,853 S \* 2/2014 Lee ..... D16/311  
 D700,648 S \* 3/2014 Siracusa ..... D16/311  
 D703,727 S \* 4/2014 DiChiara ..... D16/311

D703,728 S \* 4/2014 Donovan ..... D16/303  
 D728,665 S \* 5/2015 Chen ..... D16/311  
 D729,865 S \* 5/2015 Chen ..... D16/311  
 D744,581 S \* 12/2015 Votel ..... D16/309  
 D746,364 S \* 12/2015 Chen ..... D16/311  
 D756,444 S \* 5/2016 DiChiara ..... D16/309  
 D809,055 S \* 1/2018 Tracy ..... D16/311  
 D825,644 S \* 8/2018 Harpages ..... D16/311  
 D839,951 S \* 2/2019 Chiang ..... D16/311  
 D841,079 S \* 2/2019 Harpages ..... D16/311  
 2005/0151924 A1 \* 7/2005 Di Lullo ..... A01K 13/006  
 351/62

OTHER PUBLICATIONS

“Pedomus Dog Sunglasses.” Found online Sep. 25, 2019 at [www.amazon.com](http://www.amazon.com). Product reviewed Feb. 3, 2019. Retrieved from URL: <https://tinyurl.com/y38zs2dt> (Year: 2019).\*

“Loggipet Dog Sunglasses.” Found online Sep. 25, 2019 at [www.amazon.com](http://www.amazon.com). Product reviewed Mar. 1, 2019. Retrieved from URL: <https://www.amazon.com/Turphev-m-Sunglasses-Waterproof-Windproof-Protection/dp/B07RZNHMX1> (Year: 2019).\*

“Westlink Dog Sunglasses.” Found online Sep. 25, 2019 at [www.amazon.com](http://www.amazon.com). Product reviewed Nov. 19, 2017. Retrieved from URL: <https://tinyurl.com/y5zhbnrw> (Year: 2017).\*

\* cited by examiner

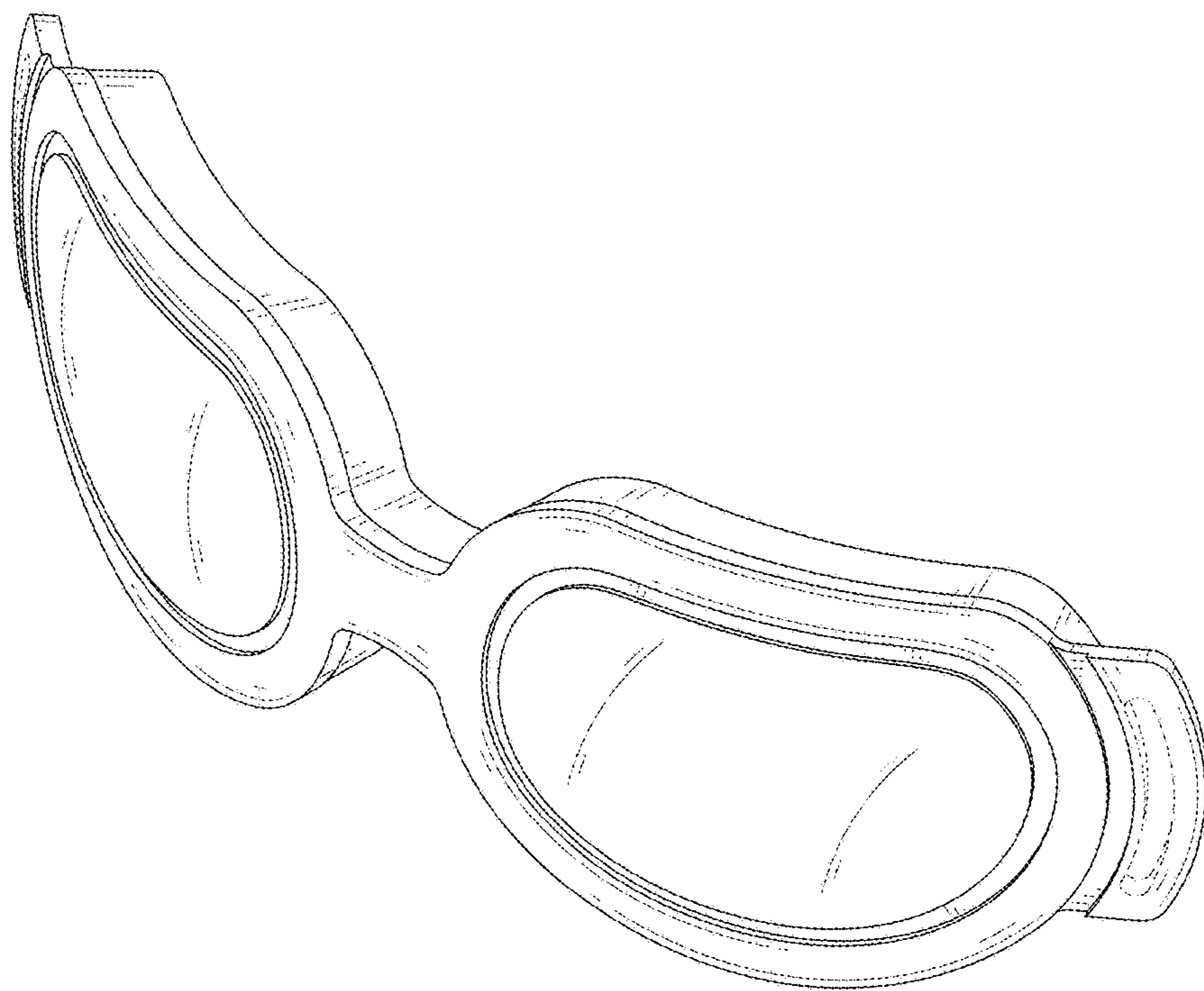


FIG. 1

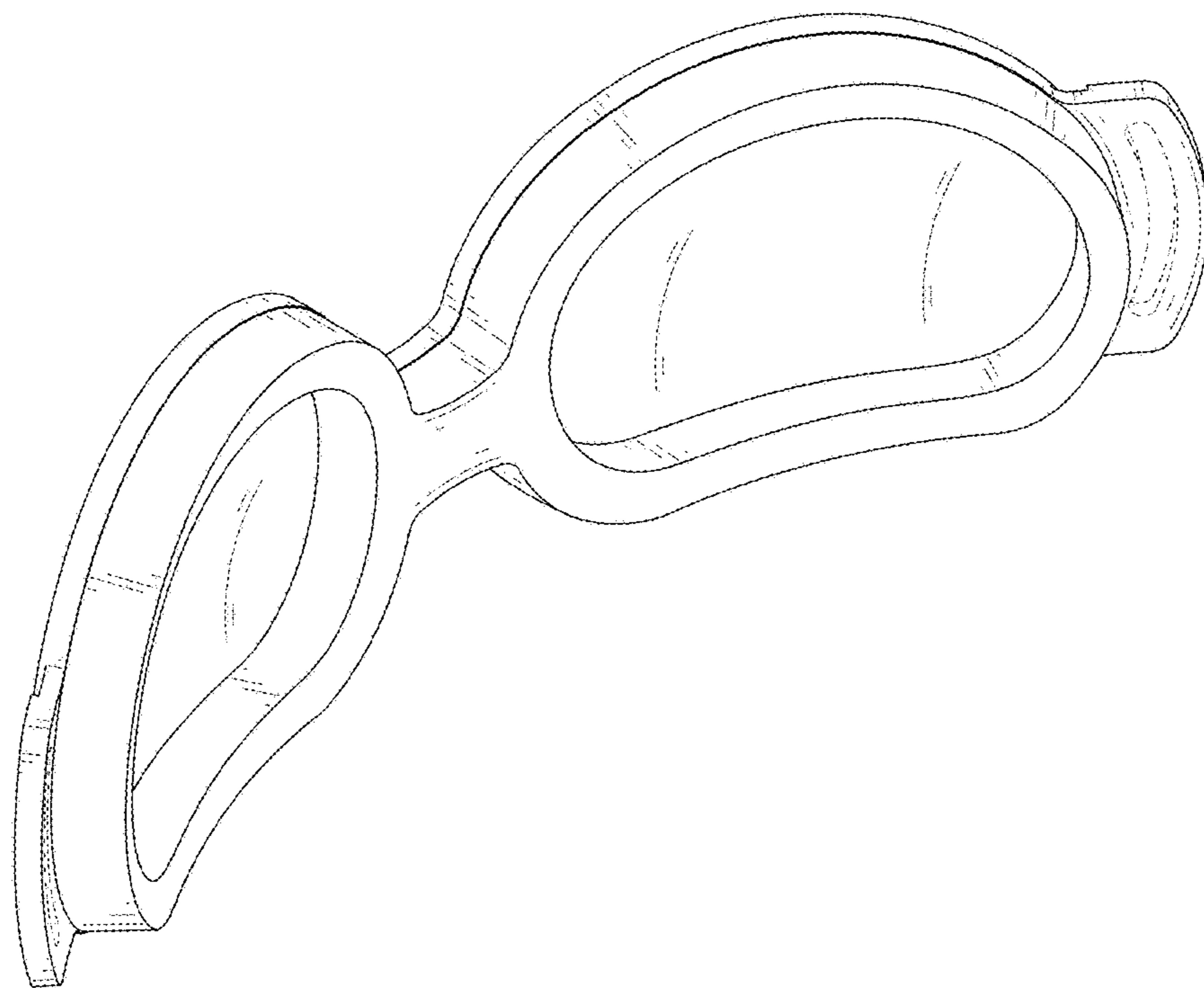


FIG. 2

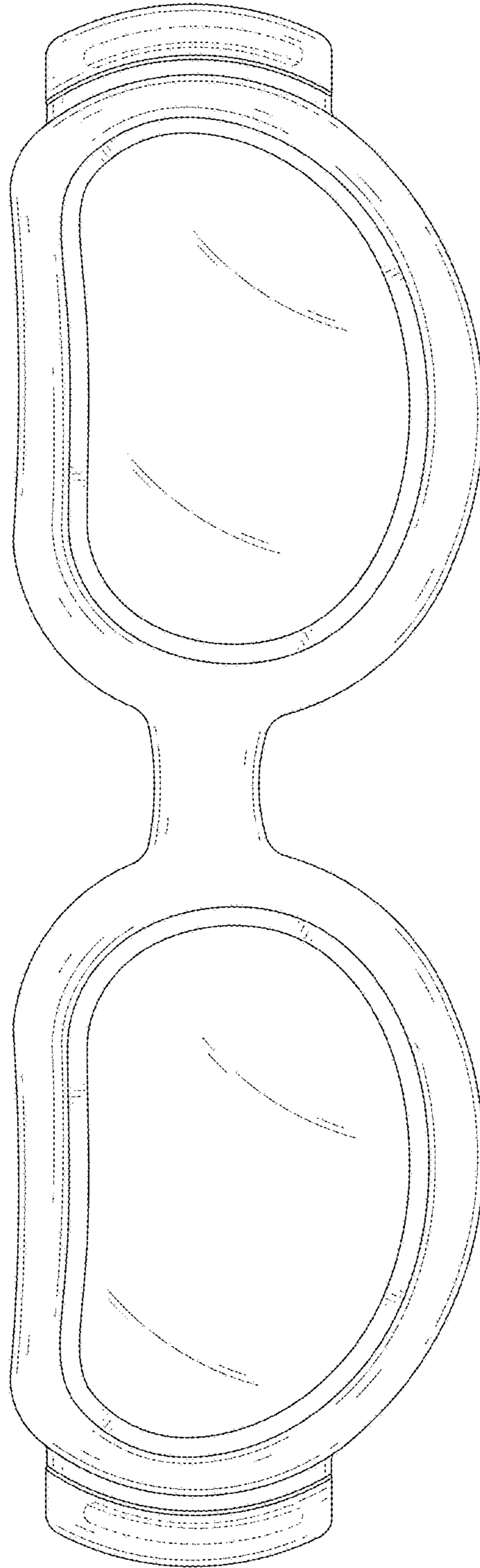


FIG. 3

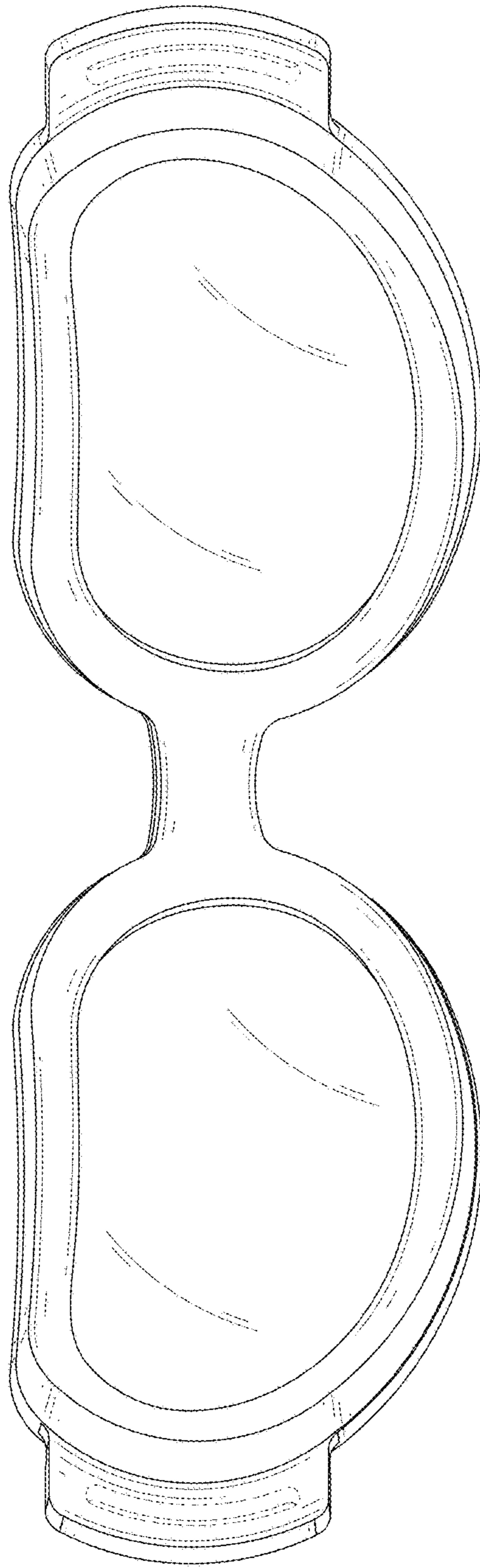


FIG. 4

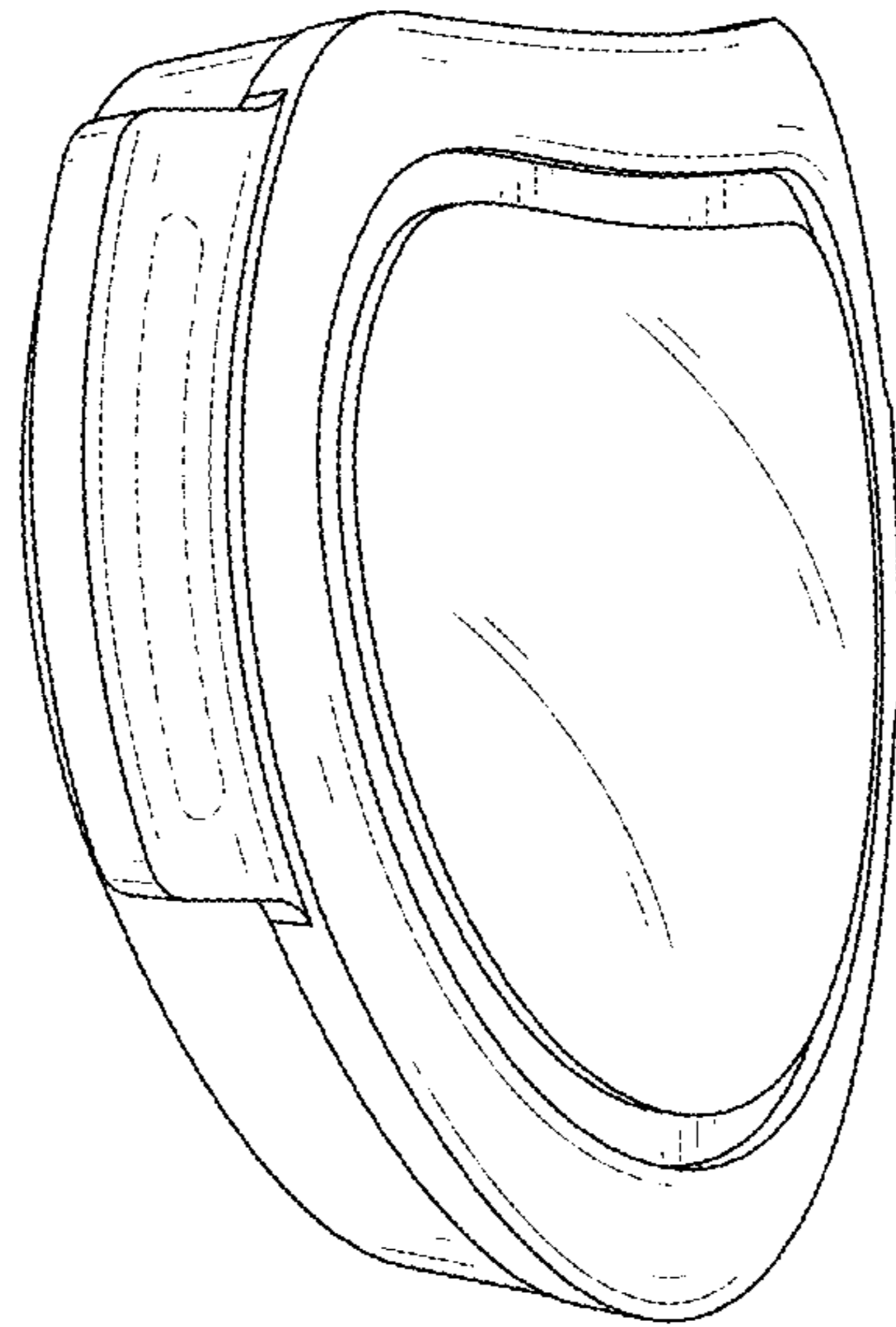


FIG. 5

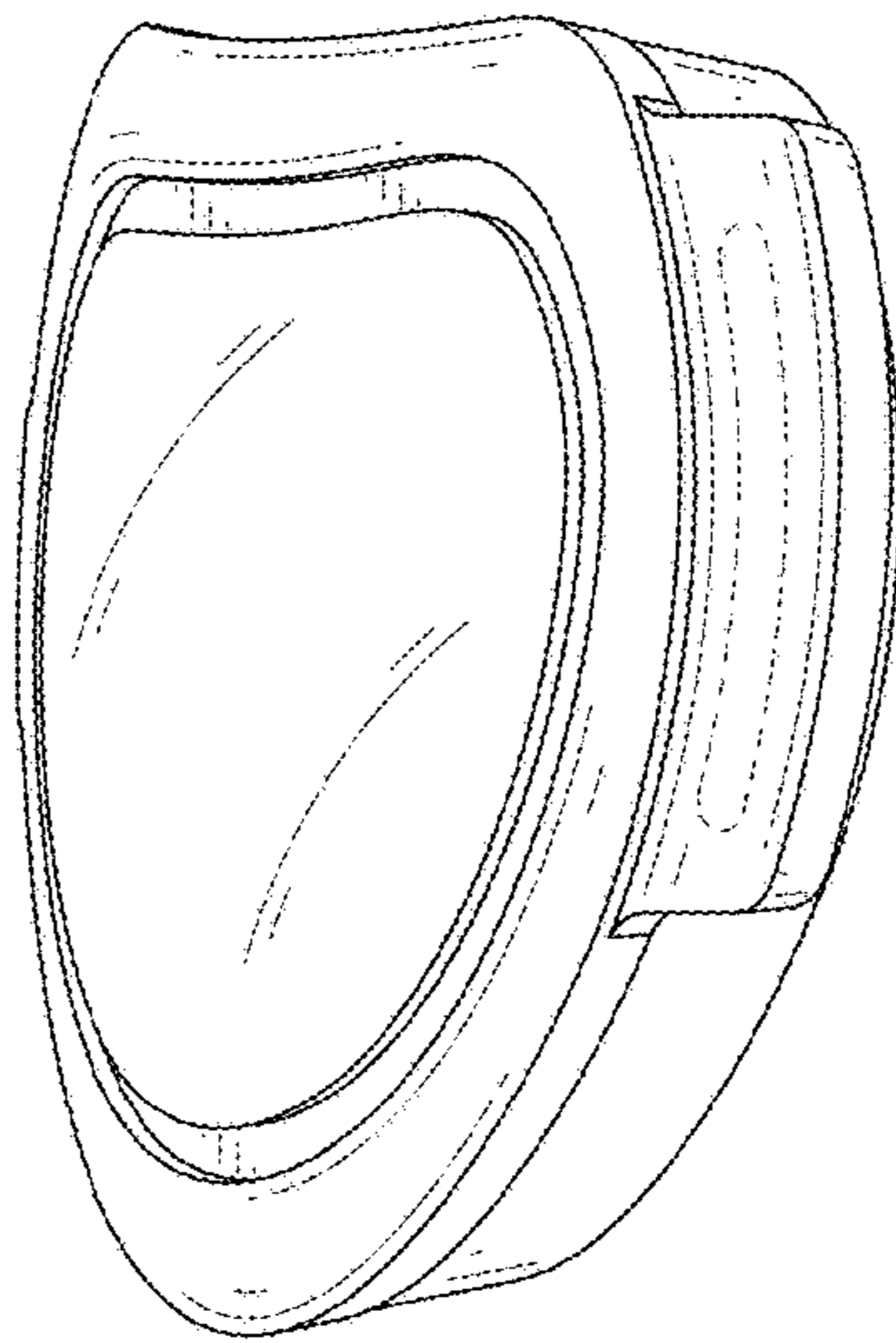


FIG. 6



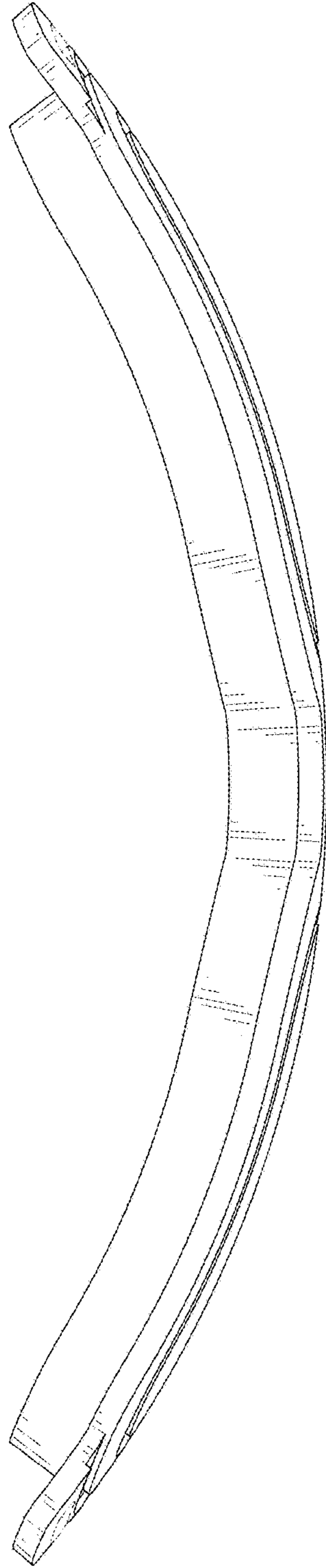


FIG. 7

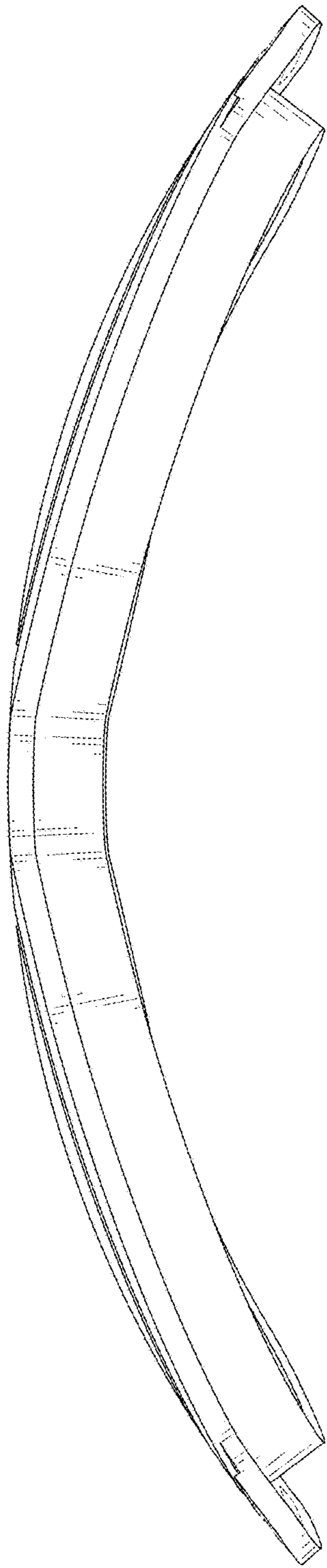


FIG. 8

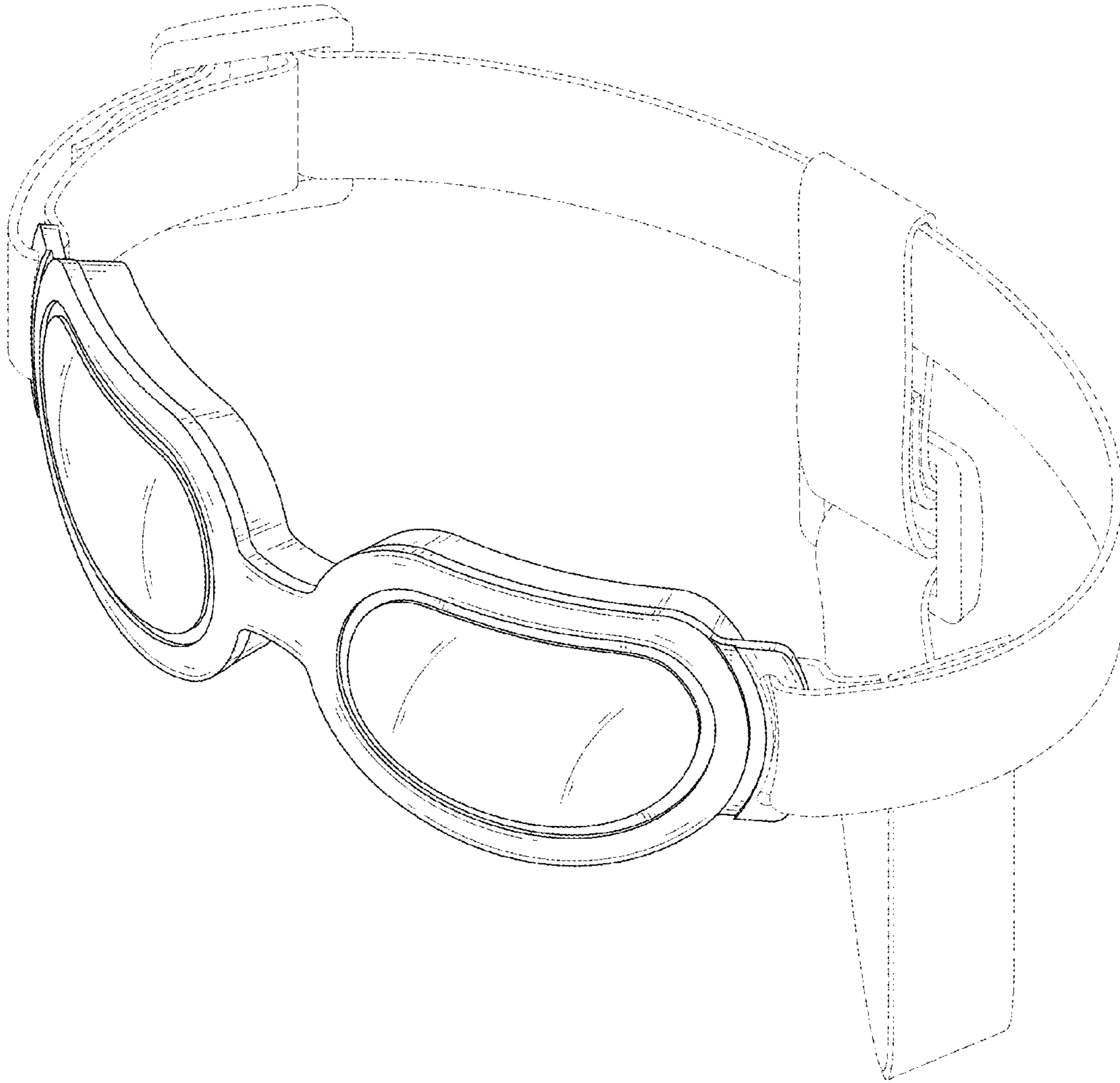


FIG. 9