



US00D868391S

(12) **United States Design Patent**
Townsend

(10) **Patent No.:** **US D868,391 S**
(45) **Date of Patent:** **** Nov. 26, 2019**

- (54) **PET WATER BOWL AND FEED DISH**
- (71) Applicant: **Marsha Townsend**, Highland Beach, FL (US)
- (72) Inventor: **Marsha Townsend**, Highland Beach, FL (US)
- (**) Term: **15 Years**
- (21) Appl. No.: **29/695,289**
- (22) Filed: **Jun. 18, 2019**
- (51) **LOC (12) Cl.** **30-03**
- (52) **U.S. Cl.**
USPC **D30/129**
- (58) **Field of Classification Search**
USPC D30/121, 122, 129-133; 119/61.5, 51.01, 119/61.56, 51.03, 59, 62, 63, 51.5, 57.8, 119/74, 61.54, 61.55, 61; 312/204; 248/151, 188; 108/156, 153.1-157; 220/23.87, 630, 737, 743, 9.4, 495.01, 220/574, 212, 255, 23.83, 575; 206/515; D7/586, 543, 550.1, 587, 505, 584, 545, D7/500, 553.1-553.8, 546, 555, 556, 504, D7/565, 562, 602, 507, 549, 558, 552.2, D7/560, 566, 548, 681; D9/429; 43/109; D22/122; 99/430, DIG. 15
CPC A01K 5/01-0142; A01K 7/005
See application file for complete search history.

- 3,527,192 A * 9/1970 Thomas A01K 5/0128
119/61.5
- 3,698,594 A * 10/1972 Boehlert A47G 19/03
220/495.01
- D230,034 S * 1/1974 Goldman et al. D30/129
- 4,270,490 A * 6/1981 Kopp A01K 5/0114
119/61.5
- 4,561,384 A * 12/1985 Liff A01K 7/027
119/73
- D287,404 S * 12/1986 Johansson D24/121
- D313,486 S * 1/1991 Conner D30/121
- 5,000,123 A * 3/1991 Morse A01K 5/0114
119/61.54
- 5,005,524 A * 4/1991 Berry A01K 7/027
119/51.11
- 5,069,167 A * 12/1991 Kasselmann A01K 5/0142
119/61.53
- 5,113,798 A * 5/1992 Rera A01K 5/0142
119/51.5
- D329,681 S * 9/1992 Demarest D22/119
- 5,205,242 A * 4/1993 Kasselmann A01K 5/0142
119/61.53

(Continued)

Primary Examiner — Susan Moon Lee
(74) *Attorney, Agent, or Firm* — Robert M. Downey, P.A.

(57) **CLAIM**

The ornamental design for a pet water bowl and feed dish, as shown and described.

DESCRIPTION

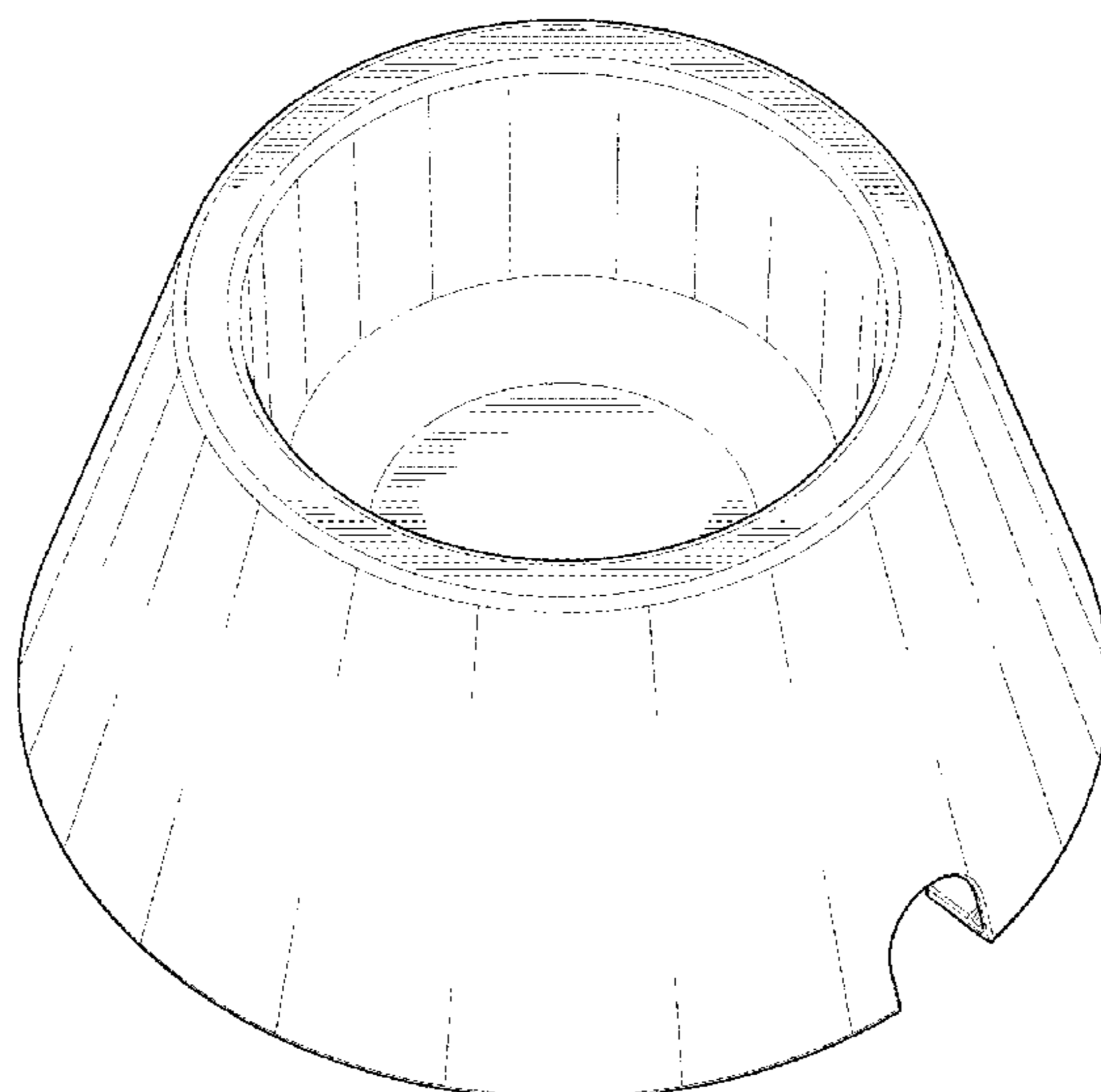
FIG. 1 is a top, front perspective view of a pet water bowl and feed dish showing my new design; FIG. 2 is a right side elevational view thereof, the left side elevational view being identical thereto; FIG. 3 is a front elevational view thereof, the rear elevational view being identical thereto; FIG. 4 is a top plan view thereof, FIG. 5 is a bottom plan view thereof; and, FIG. 6 is a bottom perspective view thereof.

1 Claim, 6 Drawing Sheets

(56) **References Cited**

U.S. PATENT DOCUMENTS

- D56,761 S * 12/1920 Miller D30/129
- 2,623,369 A * 12/1952 Haydu A47G 19/10
248/362
- 2,928,372 A * 3/1960 Farley A01K 5/0114
119/61.54
- 3,498,268 A * 3/1970 Langevin A01K 5/0114
119/61.54



(56)

References Cited

U.S. PATENT DOCUMENTS

5,209,184 A *	5/1993	Sharkan	A01K 5/0114	7,387,082 B1 *	6/2008	Fried	A01K 5/0114
			119/61.56				119/61.5
5,297,504 A *	3/1994	Carrico	A01K 7/005	7,913,648 B2 *	3/2011	Maeda	A01K 7/027
			119/61.54				119/51.5
D351,263 S *	10/1994	Evans	D30/129	D648,904 S *	11/2011	Tedaldi	A01K 1/0135
D377,961 S *	2/1997	Dickson	D22/122				D30/129
5,857,427 A *	1/1999	Kelley	A01K 5/0114	D694,849 S *	12/2013	Ots	D22/122
			119/61.56	D703,393 S *	4/2014	Henley	D30/129
D415,854 S *	10/1999	Marcus	D28/18	D718,004 S *	11/2014	Stovall	D30/129
D423,732 S *	4/2000	McGee	D30/129	D726,955 S *	4/2015	Martin	D27/172
D424,757 S *	5/2000	Cooper	D30/129	D726,981 S *	4/2015	Yessin	D32/25
6,089,187 A *	7/2000	Gaspary	A01K 5/0128	D748,946 S *	2/2016	Wirth, Jr.	D7/584
			119/51.01	D748,947 S *	2/2016	Wirth, Jr.	D7/584
D429,388 S *	8/2000	Irving	D30/129	D749,366 S *	2/2016	Wirth, Jr.	D7/584
6,227,144 B1 *	5/2001	Quintero	A01K 5/0142	D749,367 S *	2/2016	Wirth, Jr.	D7/584
			119/66	D755,447 S *	5/2016	Andrews	D30/129
6,230,653 B1 *	5/2001	Tobin	A01K 7/00	D757,373 S *	5/2016	Breit	D30/129
			119/72	9,332,729 B1 *	5/2016	Hyle	A01K 5/02
D443,395 S *	6/2001	Suns	D30/129	D758,674 S *	6/2016	Youn	D30/129
D448,978 S *	10/2001	Isbell	D7/619.1	9,546,033 B2 *	1/2017	Everingham	B65D 81/32
6,314,911 B1 *	11/2001	Kaytovich	A01K 5/0114	9,717,215 B2 *	8/2017	Hsu	A01K 5/0114
			119/61.5	D820,531 S *	6/2018	Peninger	D30/129
6,318,291 B1 *	11/2001	Wolanski	A01K 5/0114	D820,532 S *	6/2018	Peninger	D30/129
			119/61.5	2002/0162511 A1 *	11/2002	Hollinger	A01K 5/0114
D454,990 S *	3/2002	Lorenzana	D30/129				119/61.54
D459,841 S *	7/2002	Ross	D30/129	2003/0230244 A1 *	12/2003	Morrison	A01K 5/0114
D465,884 S *	11/2002	Ross	D30/129				119/61.54
D466,655 S *	12/2002	Zelinger	D30/129	2004/0194716 A1 *	10/2004	Morrison	A01K 5/0135
6,840,191 B2 *	1/2005	Gaspary	A01K 5/0128				119/61.1
			119/61.5	2004/0231607 A1 *	11/2004	Hollinger	A01K 5/0114
6,848,392 B1 *	2/2005	Kreutzer, Jr.	A01K 5/0142				119/61.54
			119/61.3	2005/0039689 A1 *	2/2005	Mossmer	A01K 5/0128
D504,196 S *	4/2005	Huthmaker	D30/129				119/61.5
D504,197 S *	4/2005	Huthmaker	D30/129	2006/0005775 A1 *	1/2006	Ritchey	A01K 5/0142
D504,747 S *	5/2005	Herrenbruck	D30/129				119/61.5
D514,750 S *	2/2006	Matula	D30/129	2007/0199512 A1 *	8/2007	Ellis	A01K 7/005
7,320,292 B1 *	1/2008	Ferrantelli	A01K 5/0114				119/61.54
			119/61.56	2014/0373790 A1 *	12/2014	Asimou	A01K 5/0121
							119/61.5
				2015/0101543 A1 *	4/2015	Baxter	A01K 5/0142
							119/498
				2018/0014505 A1 *	1/2018	MacNeil	A01K 7/005

* cited by examiner

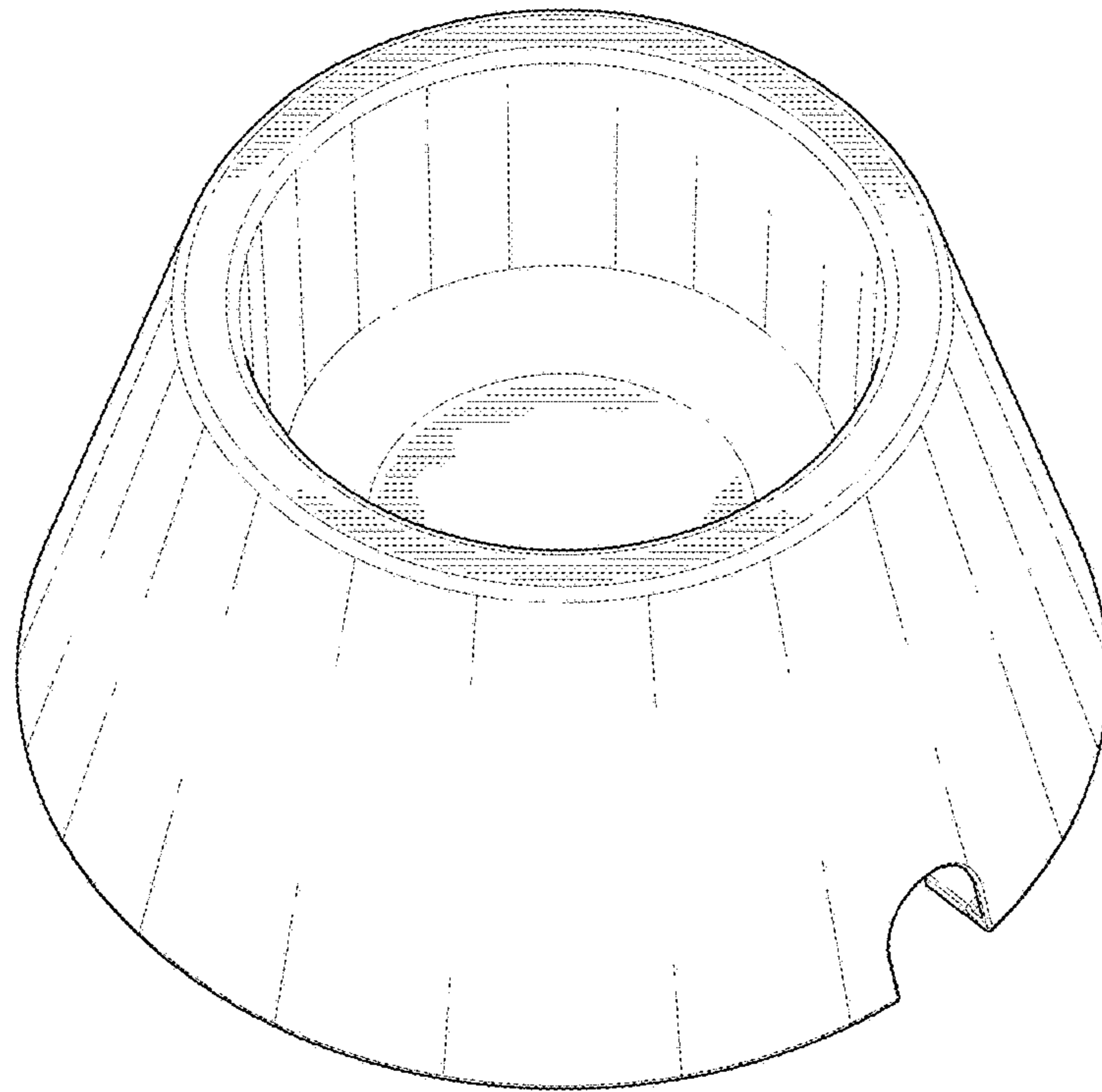


FIG. 1

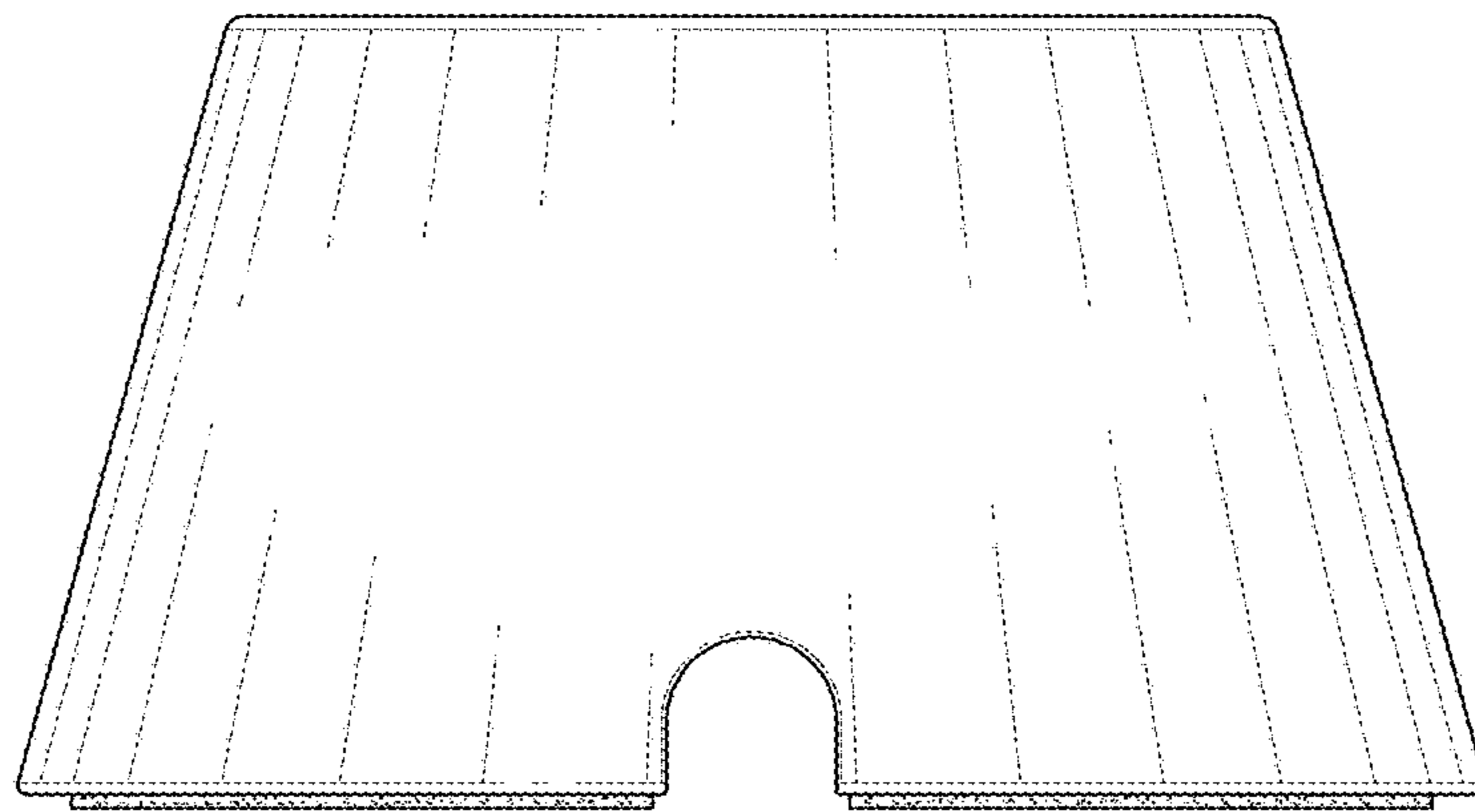


FIG. 2

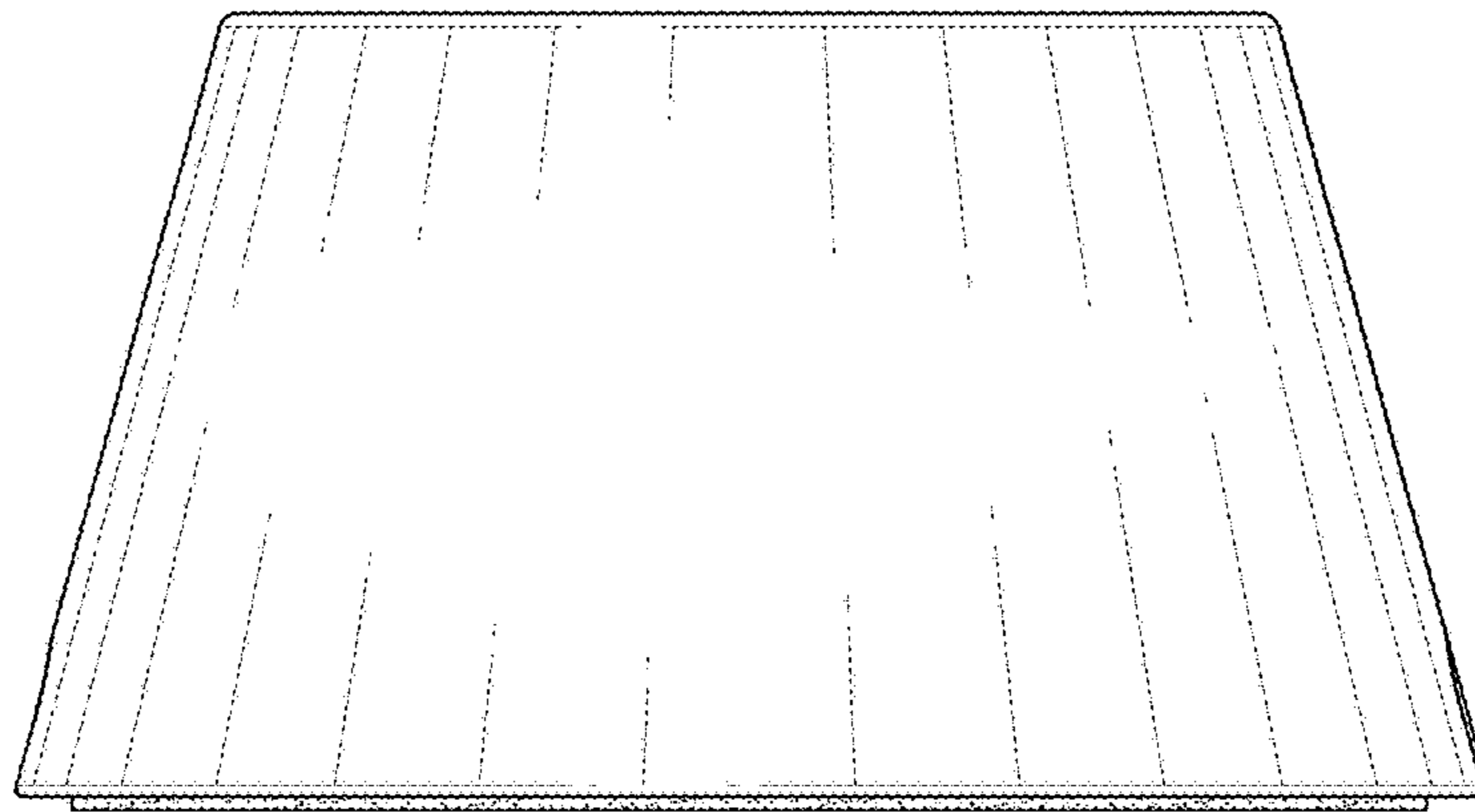


FIG. 3

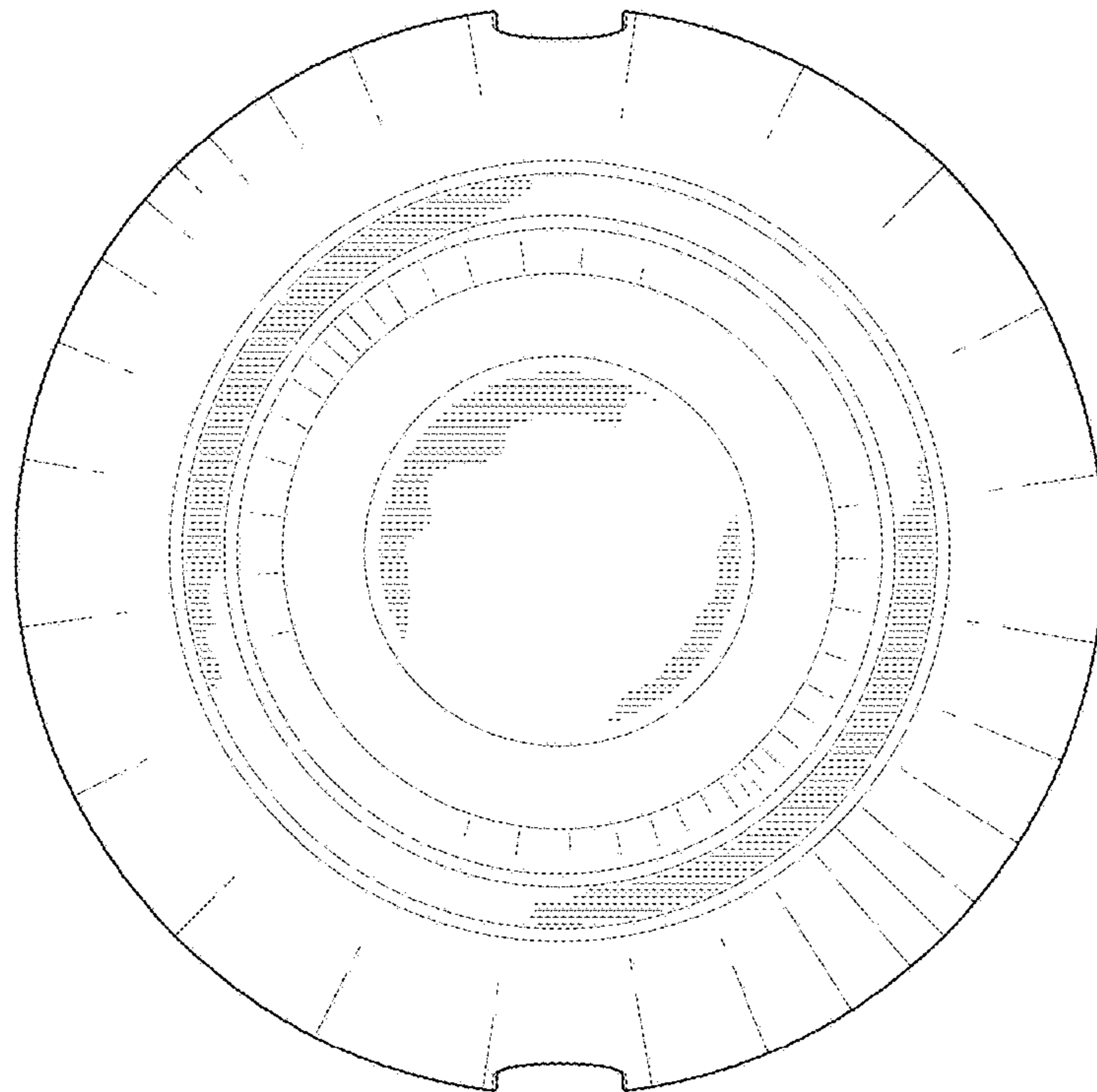


FIG. 4

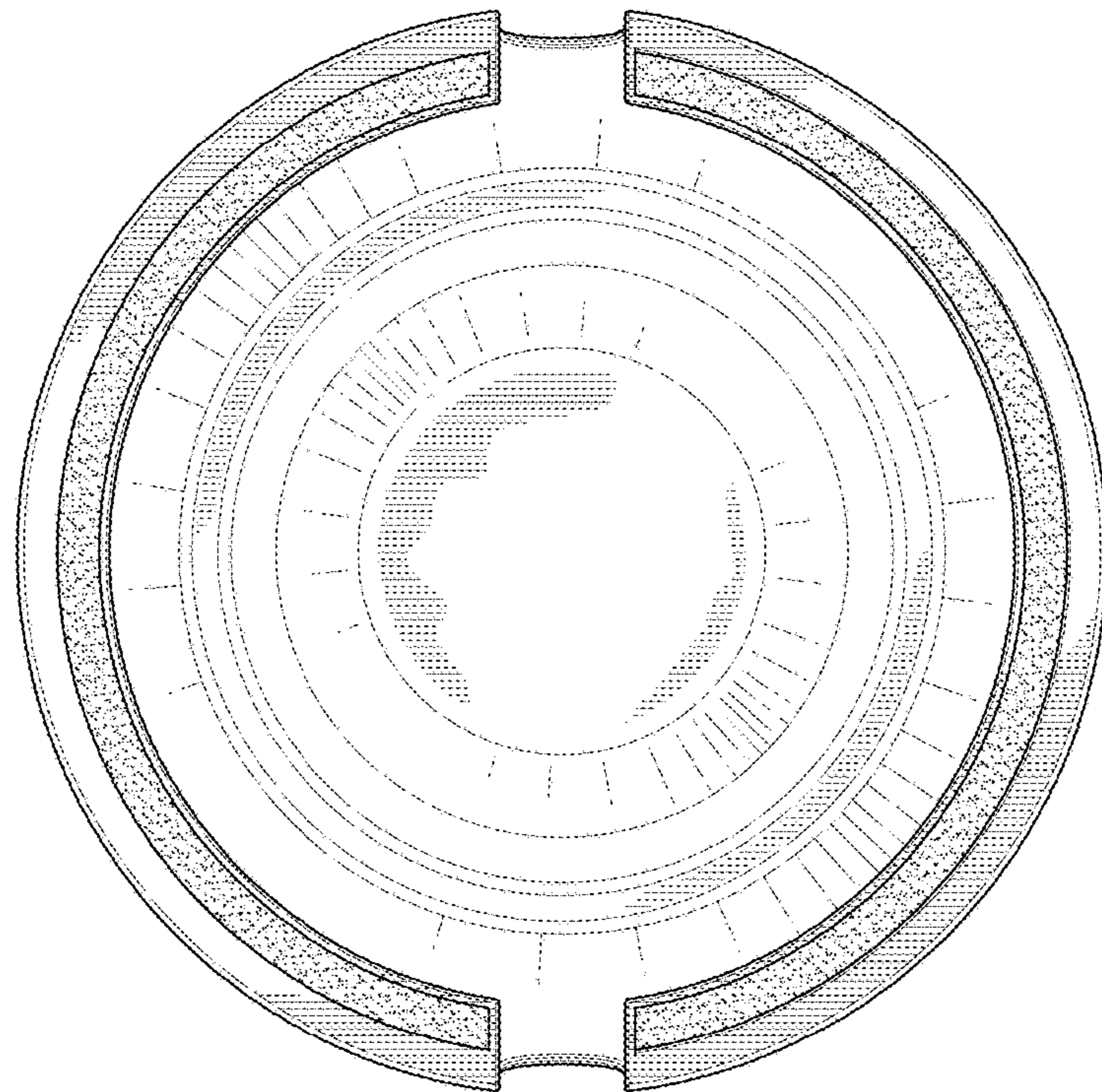


FIG. 5

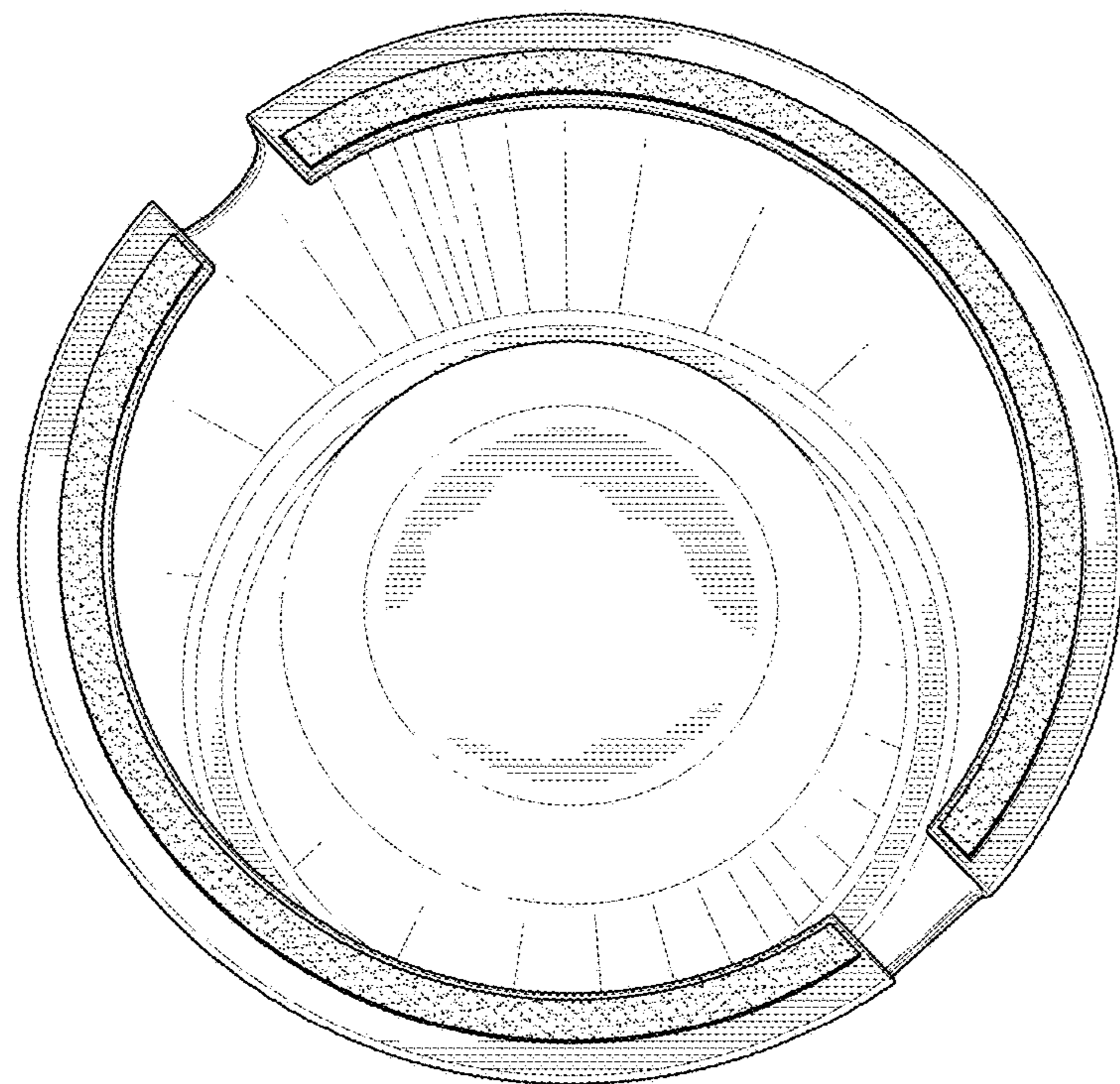


FIG. 6