



US00D868390S

(12) **United States Design Patent** (10) **Patent No.:** **US D868,390 S**  
**Santo Domingo** (45) **Date of Patent:** **\*\* Nov. 26, 2019**

(54) **PET CARRYING BAG**  
(71) Applicant: **CAVE CANEM, LLC**, Los Angeles, CA (US)  
(72) Inventor: **Karen Santo Domingo**, Los Angeles, CA (US)  
(\*\*) Term: **15 Years**  
(21) Appl. No.: **29/590,281**  
(22) Filed: **Jan. 9, 2017**  
(51) **LOC (12) Cl.** ..... **30-02**  
(52) **U.S. Cl.**  
USPC ..... **D30/109; D3/232**  
(58) **Field of Classification Search**  
USPC ..... D3/232-233, 240-243, 245-246, 276, D3/289, 301; D30/108-109, 114; 119/453, 482, 496-497  
CPC . A01K 1/00; A01K 1/03; A01K 1/033; A01K 1/0245; A01K 1/0254; A01K 29/00; A01K 31/002; A01K 31/08; A01K 31/18; A45C 1/024; A45C 3/06  
See application file for complete search history.

D630,844 S \* 1/2011 Wang ..... D3/232  
D662,263 S \* 6/2012 Chau ..... D30/109  
D677,011 S \* 2/2013 Cirincione ..... D30/109  
D685,952 S \* 7/2013 Dixon ..... D30/109  
D711,096 S \* 8/2014 Hanna ..... D3/232  
D717,502 S \* 11/2014 Dixon ..... D30/109  
D726,407 S \* 4/2015 Kuster ..... D3/232  
D759,319 S \* 6/2016 Chang ..... D30/109  
D761,018 S \* 7/2016 Gamble ..... D3/245  
D767,887 S \* 10/2016 Kim ..... D3/245  
9,456,580 B2 \* 10/2016 Ma ..... A01K 1/0254  
D804,738 S \* 12/2017 Nourollah ..... D30/109  
D813,531 S \* 3/2018 Santo Domingo ..... D3/232  
D819,967 S \* 6/2018 Carter ..... D3/246

\* cited by examiner

*Primary Examiner* — Sheryl Lane  
*Assistant Examiner* — Calvin E Vansant  
(74) *Attorney, Agent, or Firm* — Stetina Brunda Garred & Brucker

(57) **CLAIM**

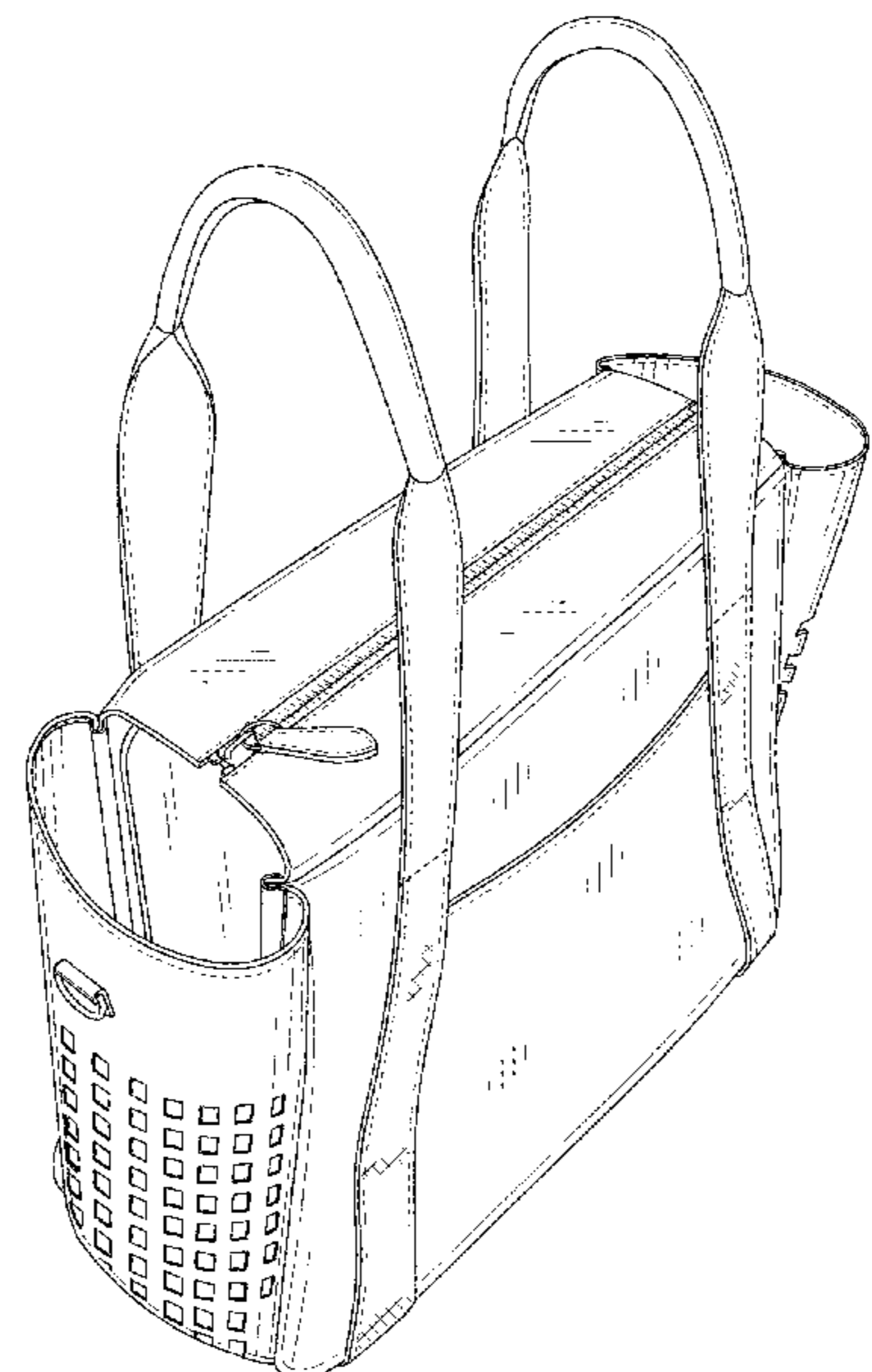
The ornamental design for a pet carrying bag, as shown and described.

**DESCRIPTION**

FIG. 1 is a top, front perspective view of the pet carrying bag of the present invention showing my new design;  
FIG. 2 is a top plan view thereof;  
FIG. 3 is a front elevational view thereof;  
FIG. 4 is a back elevational view thereof;  
FIG. 5 is a bottom plan view thereof; and,  
FIG. 6 is a right side elevational view thereof, the left side elevational view being a mirror image of the right side elevational view.  
The broken lines in FIGS. 1-6 represent stitching and form part of the claimed design.

(56) **References Cited**  
U.S. PATENT DOCUMENTS  
1,530,198 A \* 3/1925 Olsen ..... A45C 3/06 383/107  
2,604,917 A \* 7/1952 Reilly ..... A45C 3/06 150/110  
D360,492 S \* 7/1995 Horn ..... D30/109  
D416,677 S \* 11/1999 Christman ..... D3/232  
D498,884 S \* 11/2004 Metzger ..... D3/246  
D523,995 S \* 6/2006 Knittle ..... D30/109  
D575,461 S \* 8/2008 Cannon ..... D30/109  
D616,158 S \* 5/2010 Lu ..... D30/109  
D616,611 S \* 5/2010 Lu ..... D30/109

**1 Claim, 4 Drawing Sheets**



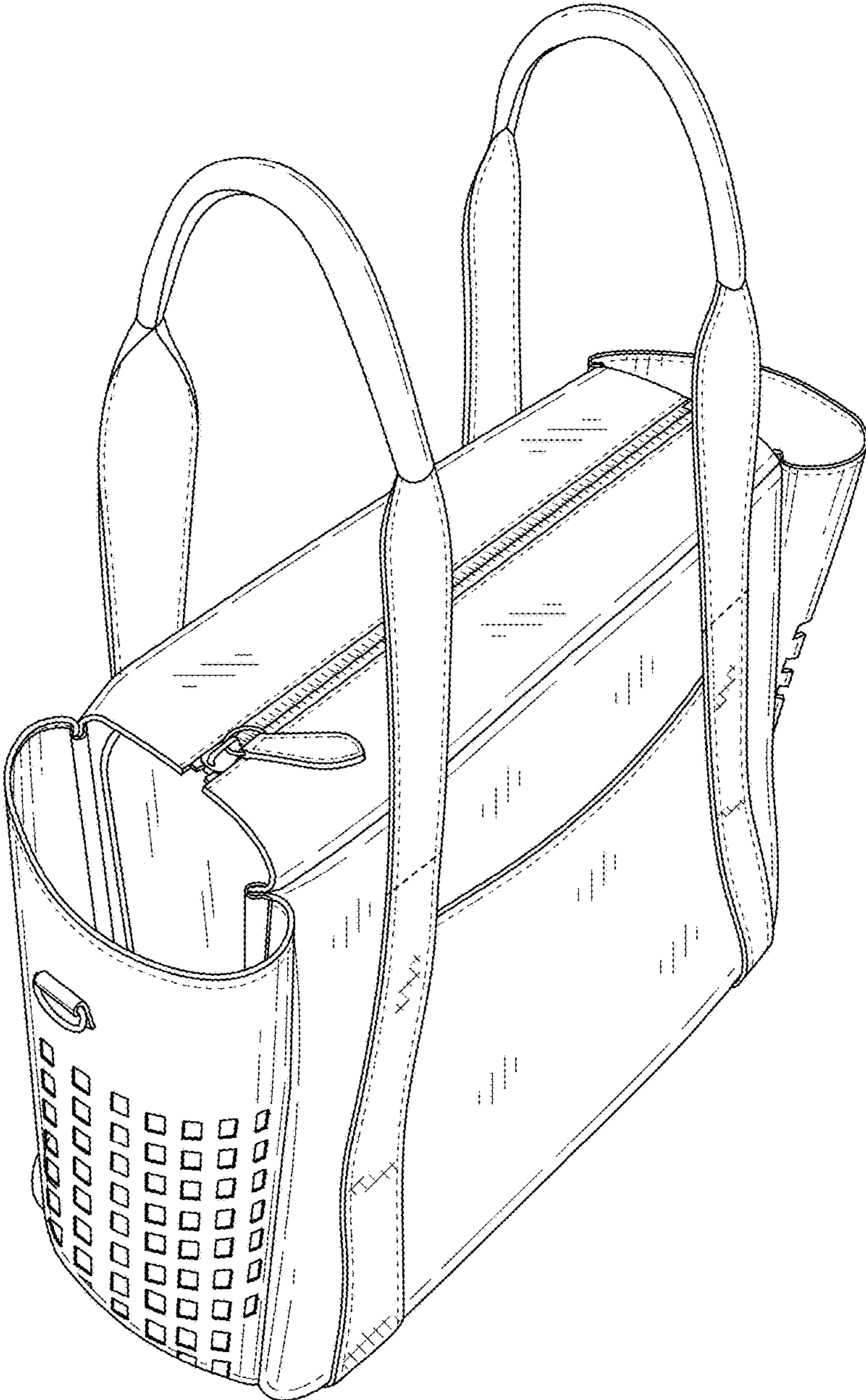


FIG. 1

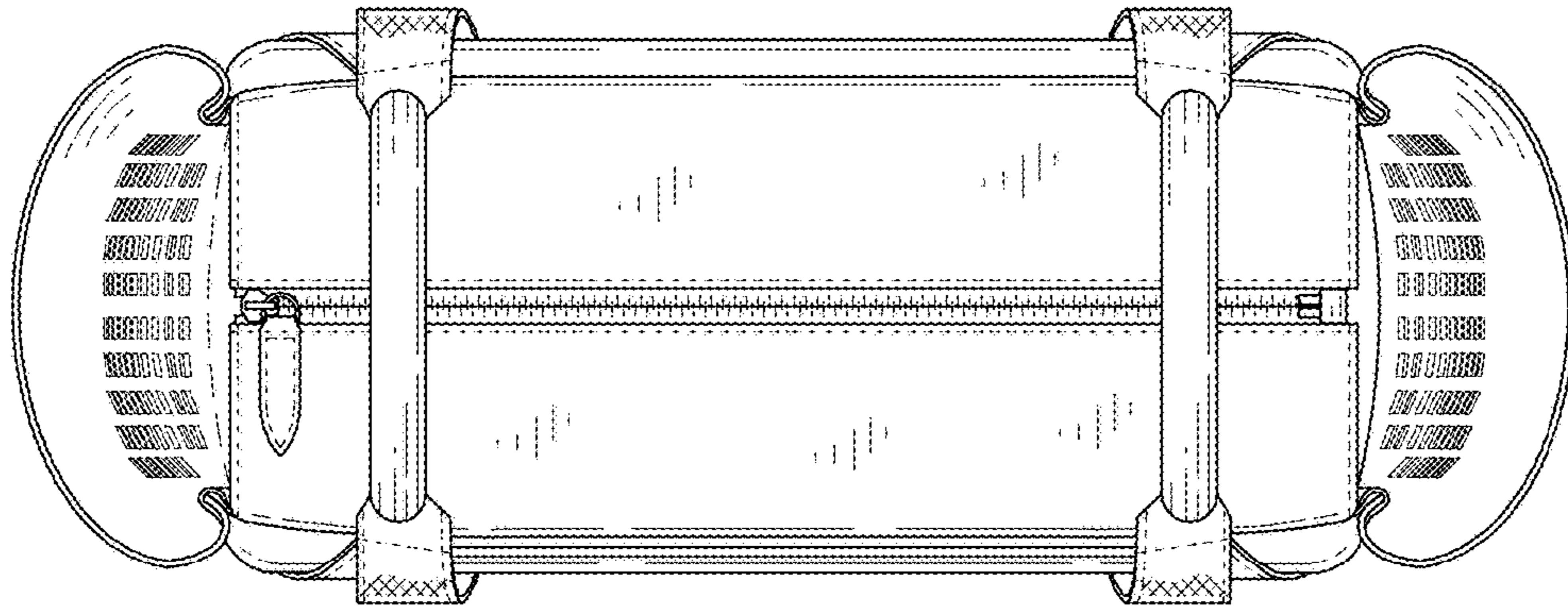


FIG. 2

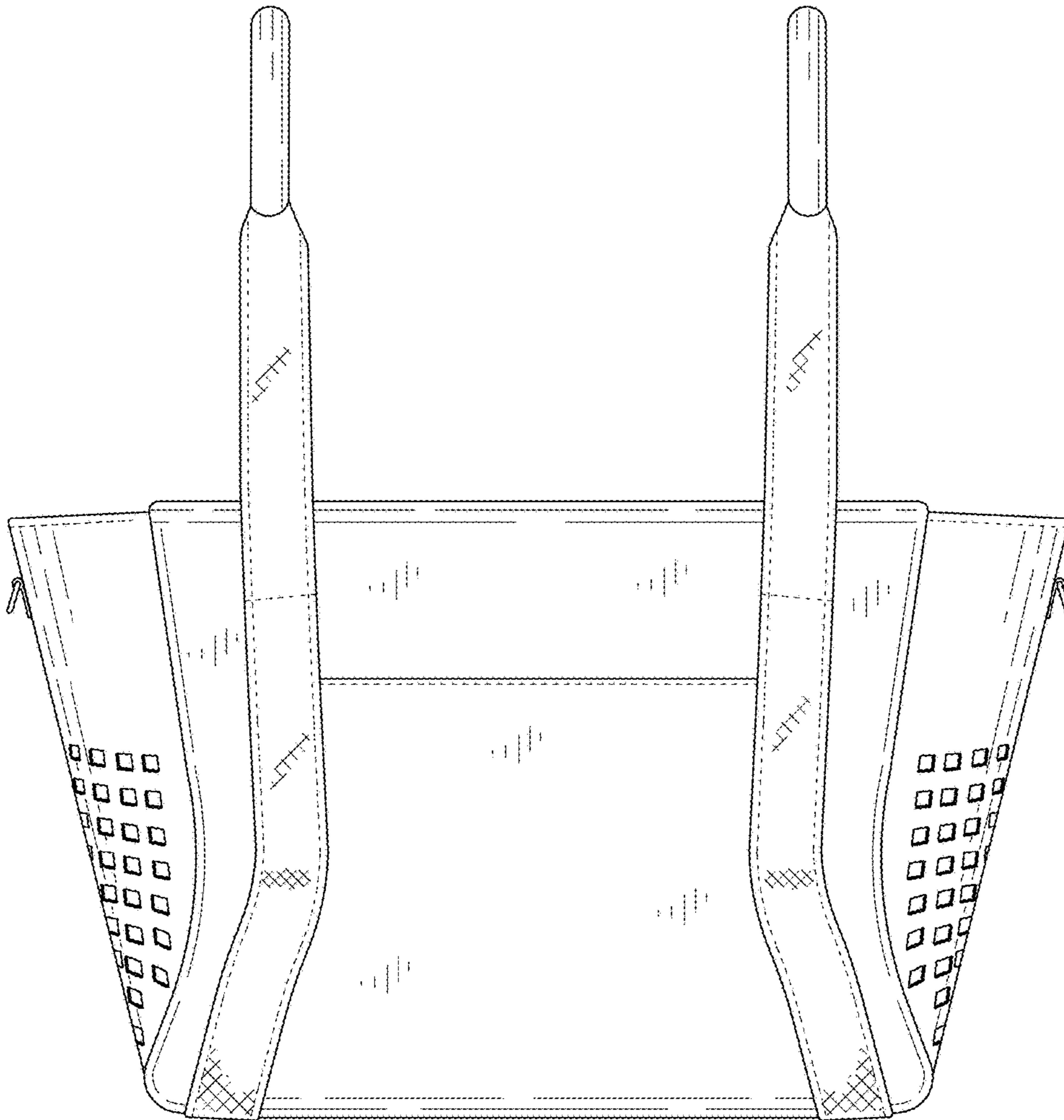


FIG. 3

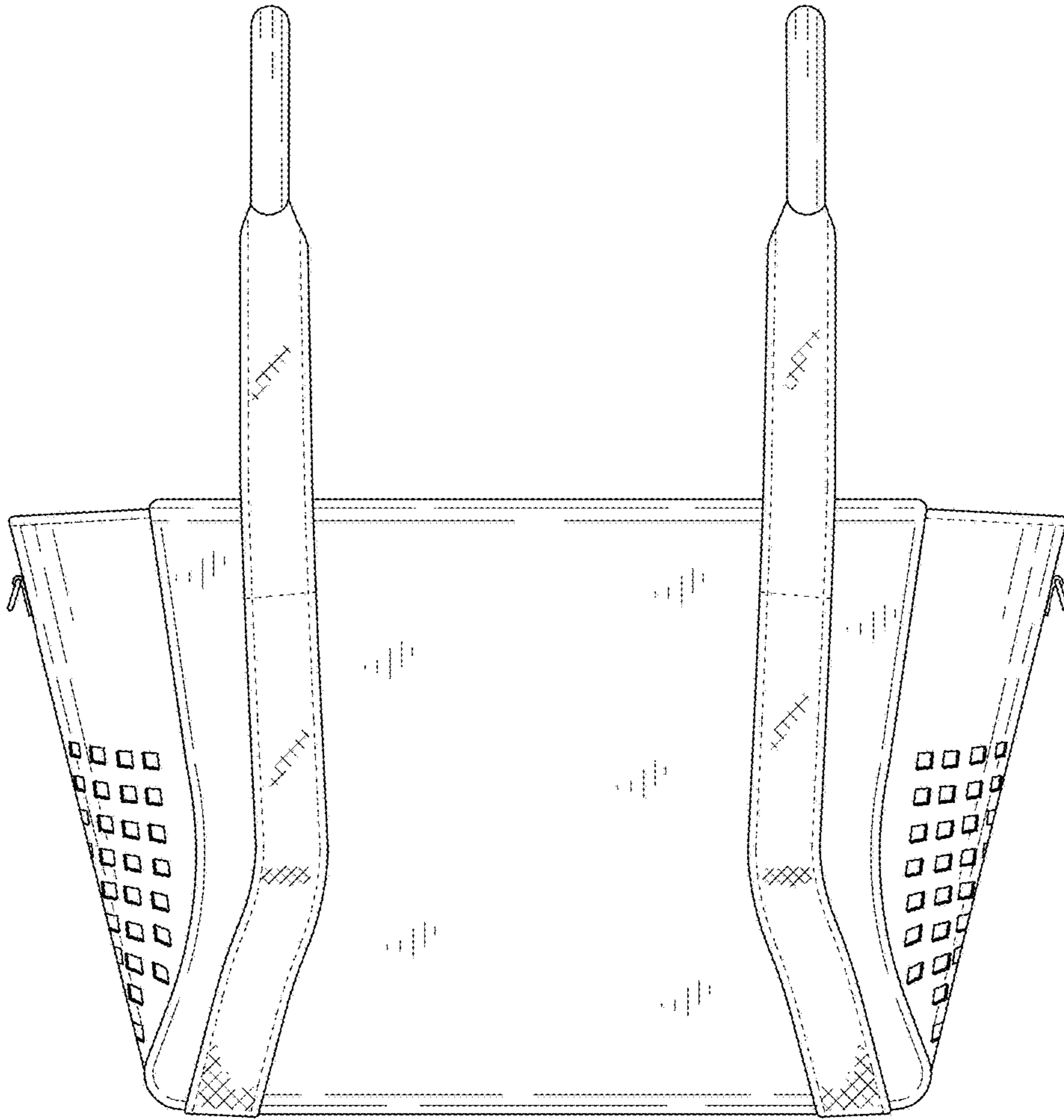


FIG. 4

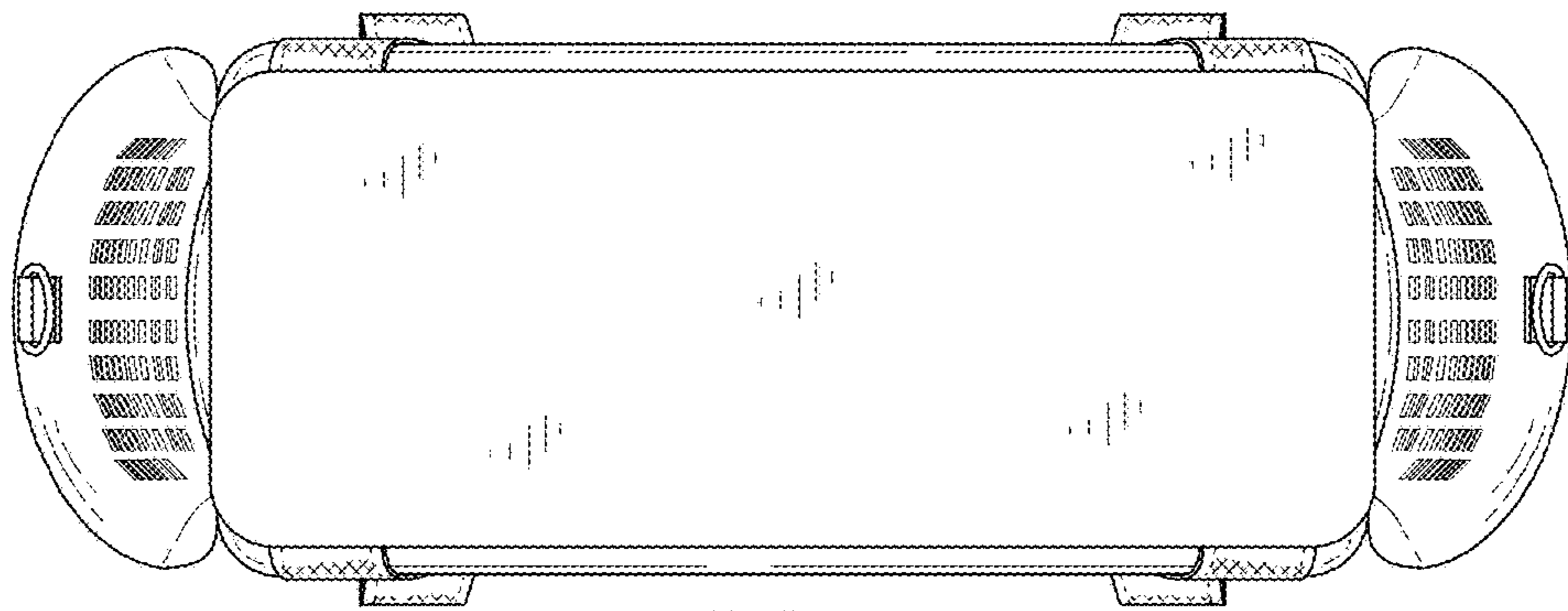


FIG. 5

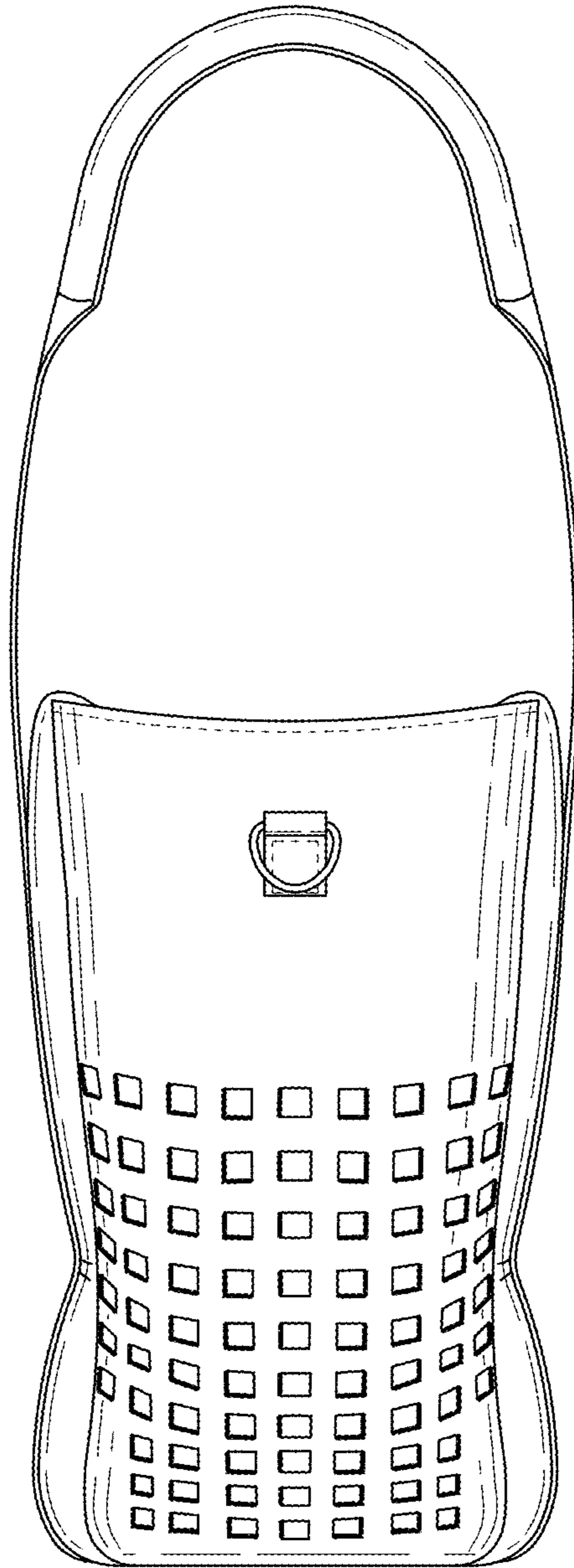


FIG. 6